



*Service Parts Catalog*

---

**Envoy  
Lane Machine**

November 2014 / 14-900098-000

***Brunswick***   
CUSTOMER SERVICE  
A tradition in excellence.

## **Envoy Lane Machine Service Parts Catalog**

© November 2014 by the Brunswick Bowling and Billiards Corporation. All rights reserved.

Envoy is a registered trademark of the Brunswick Bowling and Billiards Corporation.

Reorder Part No. 14-900098-000

Notice: If available, updates to this catalog can be found on-line at [www.brunswickbowling.com](http://www.brunswickbowling.com).

Confidential proprietary information. All information contained in this document is subject to change without notice.

Brunswick Bowling & Billiards Corporation  
525 West Laketon Avenue  
P.O. Box 329  
Muskegon, MI 49443-0329  
U.S.A.

231.725.3300

# Contents

## Section A - Cleaning System

Dusting System .....	2A
Cleaner Delivery System .....	4A
Squeegee & Waste System.....	6A
Intentionally Blank Page .....	8A

## Section B - Chassis & Drive System

Chassis System.....	2B
Traction Drive System .....	4B
Rear Distance Shaft .....	6B
Conditioner Buffing System.....	4B

## Section C - Conditioning System

Conditioning Delivery System.....	2C
Conditioner Buffing System.....	4C

## Section D - Cover & Handle System

Hood System .....	2D
Handle System .....	4D

## Section E - Electrical System

Graphical User Interface.....	2E
Lithium Power.....	6E
AGM Power .....	8E
AC/DC Power .....	10E
Electronic Enclosure - Left Side Video - Cable Assemblies .....	12E
Electronic Enclosure - Right Side Video - Cable Assemblies .....	14E
Electronic Enclosure - Rear View - Cable Assemblies .....	16E
Electronic Enclosure - Handle and GUI - Cable Assemblies .....	18E
Power Cord.....	20E

## Section F - Miscellaneous

Fuses/ Extraction Tools/ Pins & Sockets .....	2F
Tubing/Tools/Miscellaneous .....	3F

## **Select Only Genuine Brunswick Replacement Parts for Brunswick Equipment**

You purchased the best when you bought Brunswick equipment. Insist on the best in replacement parts. Buy Genuine Brunswick Replacement Parts to keep your equipment in top-notch working condition.

### **Here's why you should insist on Brunswick Replacement Parts for your Brunswick equipment:**

- Only Brunswick replacement parts are guaranteed to be the same, top quality, heavy-duty parts that go into the world's finest equipment by Brunswick.
- Rigid quality control assures maximum protection against part defect or failure.
- Full-time testing of all equipment and continual updating of parts provides the latest improvements.
- Each improved part is designed to be interchangeable with the part it is replacing.
- Efficient cost methods of production and design, reduce the cost of parts.

To place an order contact your certified Brunswick parts distributor or Brunswick at 1-800-YES-BOWL or 231-725-3300. Authorized Brunswick part distributors listings can be found on-line at [www.brunswickbowling.com](http://www.brunswickbowling.com)

For catalog comments or questions please e-mail: [aftermarketcatalogs@brunbowl.com](mailto:aftermarketcatalogs@brunbowl.com)

## WARRANTY

- Warranty coverage starts with date of purchase.
- The warranty coverage period is 90 days on materials.
- Repair or replacement parts is at the option of Brunswick.
- Call your authorized Brunswick Parts Distributor for parts warranty transaction process.

*Intentionally Blank Page*

Section A

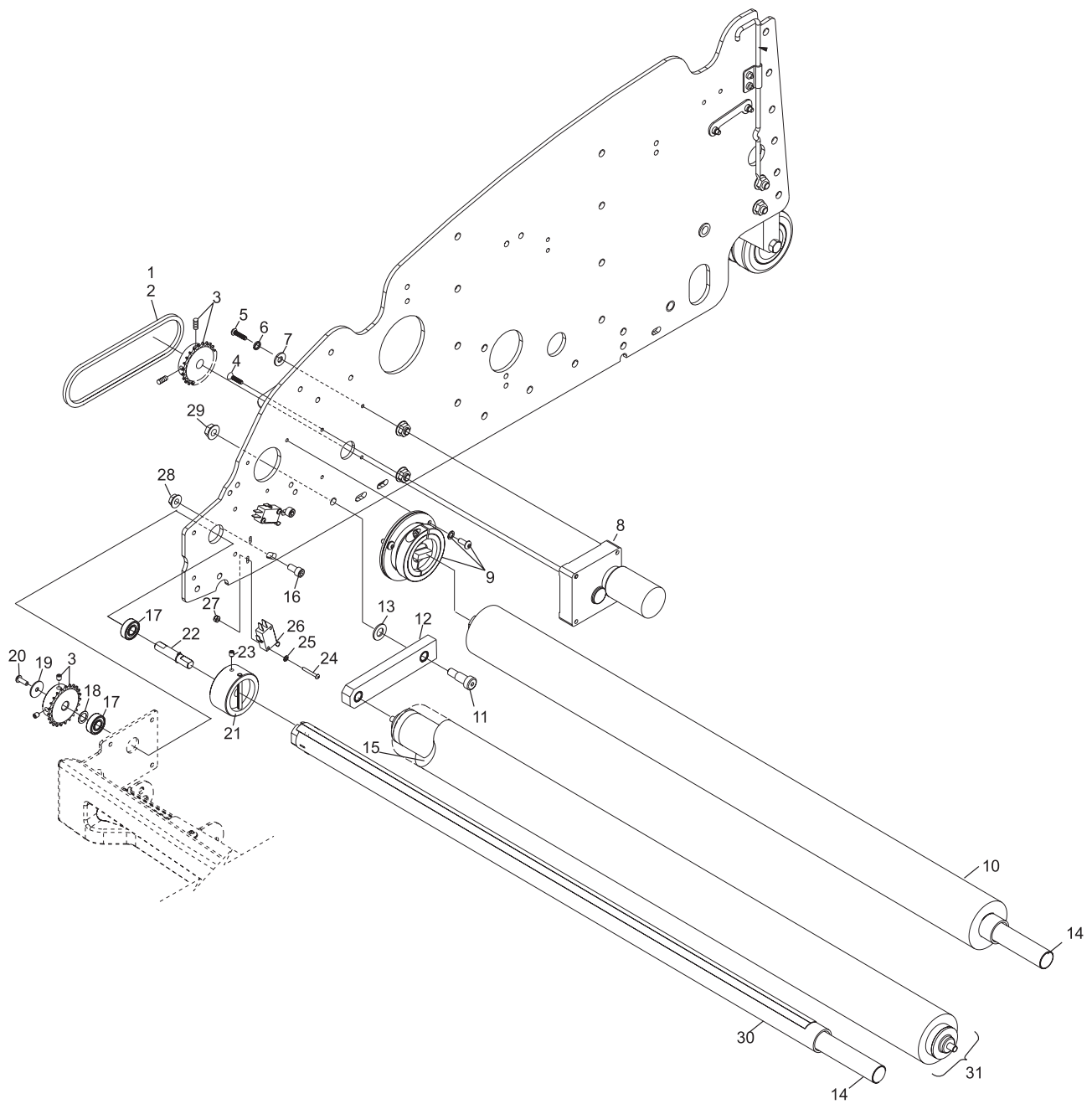
# **Cleaning System**

## Index

No.	Part No.	Description
1.	11-601013-000	Roller Chain
2.	11-600010-000	Master Link Assembly (1/4" #25)
3.	11-491104-000	Sprocket (23 Tooth, 3/8 Bore)
4.	11-007124-000	Flat Head Hex Socket Cap Screw (#10-32 x 1")
5.	11-006125-000	Button Head Socket Cap Screw (#10-32 x 1")
6.	11-195010-015	Lockwasher (#10)
7.	11-190006-015	Plain Washer (#10)
8.	14-100724-005	Duster Motor w/Connector
9.	14-100364-000	Friction Clutch Assembly w/hardware
10.	62-860207-000	Authority 22 Cleaning Cloth - Package
11.	11-106650-000	Socket Head Shoulder Screw (5/16-18 x 3/8 x 5/8")
12.	14-100084-000	Cushion Roller Pivot Arm
13.	11-191752-000	Washer (3/8)
14.	14-100204-000	Duster Cloth Stiffener
15.	14-100081-002	Duster Foam Tube (1.62ld x .75 x 43L)
16.	11-005178-015	Hex Head Socket Cap Screw (1/4-20 x 1/2")
17.	11-500100-000	Roller Bearing (3/8 x 7/8 x 9/32)
18.	11-192577-000	Shim (.376ld x .563Od x .010 Thick)
19.	11-190554-015	Fender Washer (11/64 ld x .75 Od)
20.	11-006063-000	Button Head Cap Screw (#8-32 x 1/2")
21.	14-100078-000	Duster Cloth Take Up Hub Assembly
22.	14-100780-000	Duster Take-Up Drive Shaft Assembly
23.	11-105451-000	Hex Socket Set Screw (#10-32 x .25")
24.	11-006009-000	Button Head Socket Cap Screw (#4-40 x 7/8")
25.	11-199000-015	Internal Tooth Lockwasher (#4)
26.	11-616025-000	Duster Cloth Up/Dn Lever Type Switch
27.	11-170000-015	Locknut (4-40)
28.	11-171504-000	Serrated Flange Hex Nut (1/4-20)
29.	11-171501-000	Serrated Flange Hex Nut (5/16-18)
30.	61-200008-000	Duster Cloth Core W/ Plug Assembly
31.	14-100081-000	Cushion Roller Duster Cloth Assembly

## Dusting System



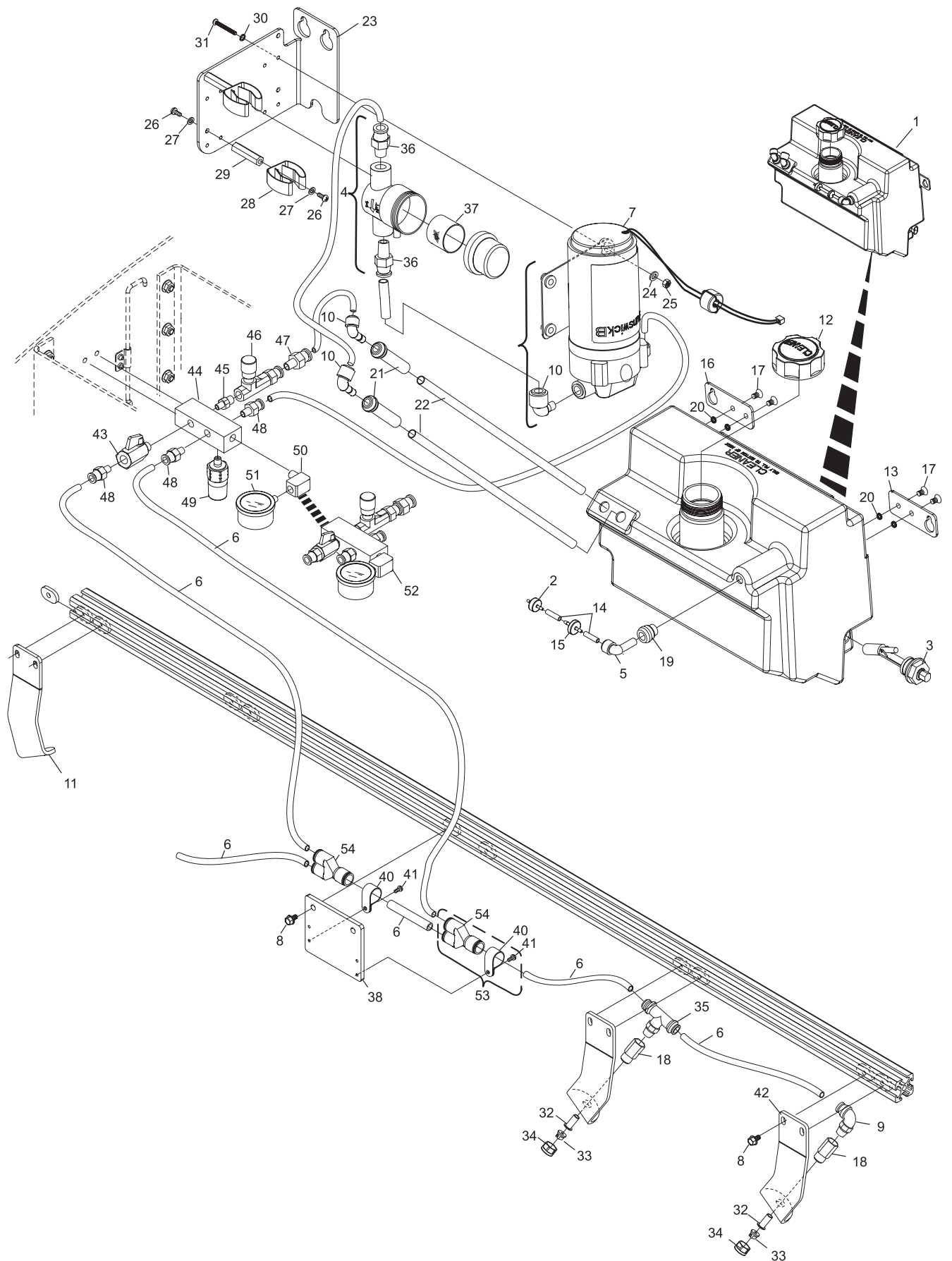


## Dusting System

Index

No.	Part No.	Description
1.	14-100944-000	Supply Tank Assembly
2.	11-655037-000	Vent Valve
3.	14-100942-000	Level Float Sensor
4.	14-100406-000	Line Strainer Assembly
5.	11-655052-000	90° Elbow Fitting (1/4" tube x 3/8" stem)
6.	11-655043-006	Tubing - 3/8" (20')
7.	14-100758-091	Cleaner Pump Assembly
8.	11-010782-000	Hex Head Serrated Flange Cap Screw (1/4-20x 1/2")
9.	11-655041-000	Elbow Fitting (3/8 tube 1/4 NPT)
10.	11-655053-000	90° Elbow Fitting (3/8")
11.	14-100864-002	Nozzel Holder Bracket (right hand)
12.	14-100449-000	Cap w/Seal
13.	14-100440-002	Tank Mounting Bracket (left hand)
14.	11-655039-001	Tube (1/4 O.D. x 1.25")
15.	11-655038-000	Check Valve (1/8 x 1/8)
16.	14-100440-001	Tank Mounting Bracket (right hand)
17.	11-014265-000	Screw (1/4-20 x 1/2")
18.	11-655074-000	Nozzel Body - Female (1/4 x 11/16-16)
19.	14-100430-001	Grommet
20.	11-625602-000	O-Ring (11/32)
21.	14-100430-000	Grommet
22.	11-282004-002	Tubing (3/8" x 10-3/8")
23.	14-100438-000	Pump Mounting Bracket
24.	11-191753-000	Washer
25.	11-170005-015	Lock Nut (#10-24)
26.	11-006061-015	Screw (#8-32 x 3/8")
27.	11-199002-015	Lockwasher (#8)
28.	11-655058-000	Tool Holder
29.	11-185257-000	Standoff (#8-32 x 1-1/4")
30.	11-199003-015	Lockwasher (#10)
31.	11-006095-000	Screw (#10-24 x 1-1/4")
32.	11-655086-000	Strainer w/Check Valve (100 mesh screen)
33.	11-655070-000	Spray Tip - 110 Deg (.05 GPM)
34.	11-655004-000	Spray Cleaner Tip Retainer
35.	11-655080-000	Tee Fitting (3/8" Tube To 1/4 NPT)
36.	11-655048-000	Connector Fitting (3/8")
37.	11-655084-004	Line Strainer (100 Mesh)
38.	14-100877-000	Union Plate
39.	11-655025-000	Y - Union (3/8" Dia. Tube)
40.	11-603003-000	Loop Clamp (5/8")
41.	11-012058-015	Screw (#8-32 x 3/8")
42.	14-100864-001	Nozzel Bracket (left hand)
43.	11-655075-000	Ball Valve (1/8 NPT Male-Female)
44.	14-100879-000	Cleaner Manifold Body
45.	11-655076-000	Nipple Reducer - Hex Male (1/4 NPT to 1/8 NPT)
46.	11-655071-000	Adjustment Valve - Bi-Directional Flow Control
47.	11-655048-000	Male Connector Fitting (3/8" Tube x 1/4 NPT)
48.	11-655063-000	Male Connector Fitting (3/8" Tube x 1/8 NPT)
49.	14-100935-000	Low Pressure Switch Assembly
50.	11-655057-000	Fitting - 90 Degree Elbow
51.	11-655065-000	Pressure Gauge (2 Dia 0-60 PSI)
52.	14-100910-000	Cleaner Manifold Assembly
53.	14-860035-000	Pkg. "Y"- Union (3/8")
54.	11-655087-000	Y - Union (3/8")

## Cleaner Delivery System

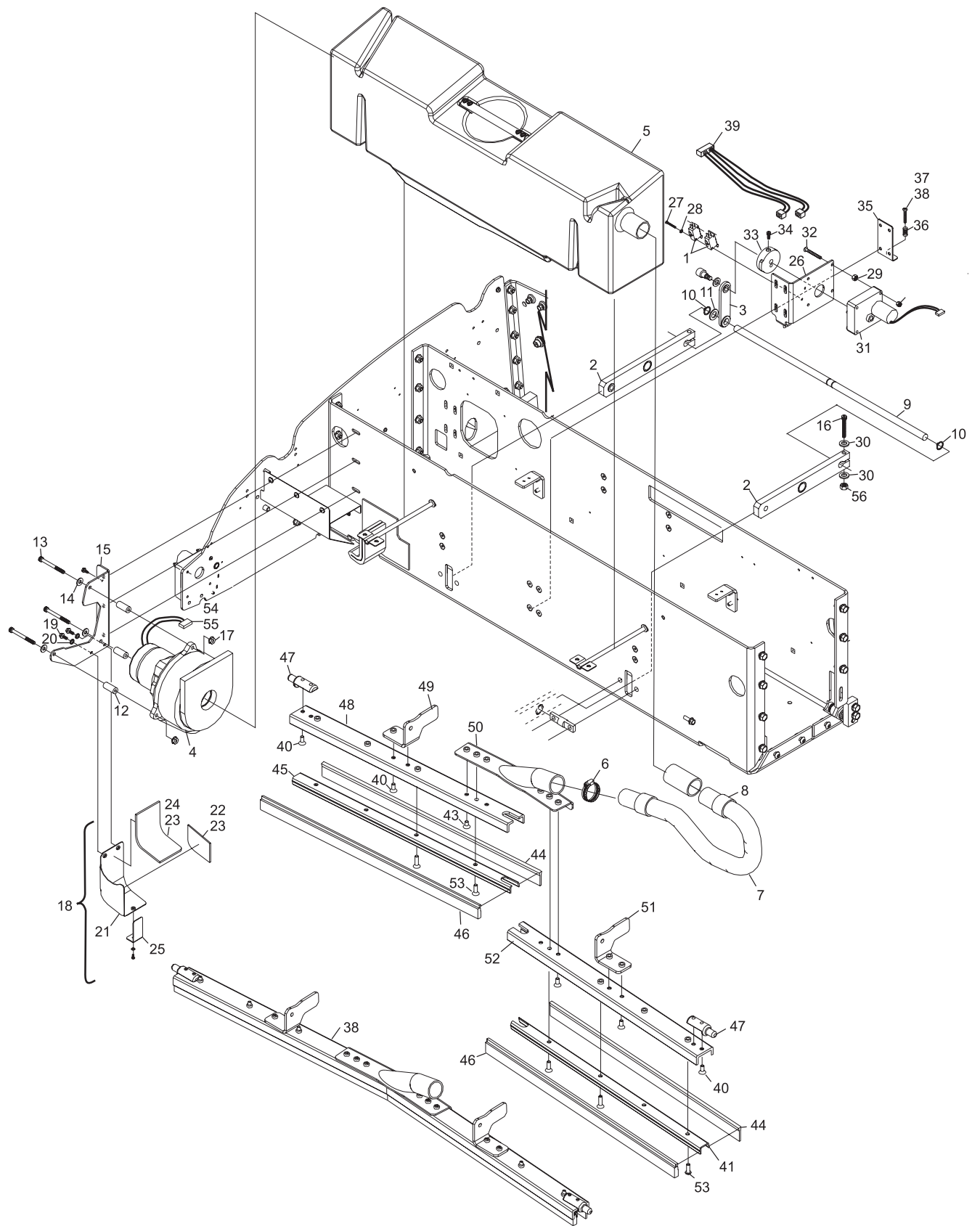


### Cleaner Delivery System

Index

No.	Part No.	Description
1.	11-616026-000	Switch
2.	14-100060-000	Pivot Arms
3.	14-100065-000	Lifting Linkage
4.	14-100914-000	Vacuum Motor Assembly
5.	14-100301-000	Waste Tank
6.	14-100917-000	Vacuum Hose Assembly
7.	11-655078-002	Hose
8.	11-655077-000	Hose Cuff
9.	14-100061-000	Lift Rod
10.	11-537051-000	Retaining Ring (external)
11.	11-192576-000	Shim
12.	11-388000-000	Spacer (1/4" I.D. x 1/2" O.D. x 1-1/4")
13.	11-005193-015	Screw (1/4-20 x 2-1/4")
14.	11-190010-015	Flat Washer (1/4)
15.	14-100093-000	Vacuum Motor Bracket
16.	11-005190-015	Socket Head Cap Screw (1/4-20 x 13/4")
17.	11-171504-000	Hex Serrated Head Nut (1/4-20)
18.	14-100097-000	Vacuum Exhaust Deflector Assembly
19.	11-006116-000	Screw (#10-32 x 3/8")
20.	11-199003-015	Lock Washer (#10)
21.	14-100066-000	Vacuum Exhaust Deflector
22.	14-100106-000	Side Exhaust Deflector Felt
23.	14-860222-000	Adhesive (for felt)
24.	14-100104-000	Top Exhaust Deflector Felt
25.	14-100377-000	Diffuser Bracket
26.	14-100764-000	Motor Mount Bracket
27.	11-006010-000	Screw (#4-40 x 1")
28.	11-199000-015	Internal Tooth Lockwasher (#4)
29.	11-199003-015	Nut (#8-32)
30.	11-190010-015	Flat Washer (1/4)
31.	14-100724-022	Motor Assembly
32.	11-006125-000	Screw (#8-32 x 1-1/2")
33.	14-100729-000	Squeegee Up/Down Cam
34.	11-105454-000	Set Screw (1/4-28 x 3/8")
35.	14-100310-000	Nut Plate
36.	11-581011-000	Spring
37.	11-012353-015	Pan Head Cap Screw (#10-32 x 1-1/4")
38.	14-100850-000	V-Squeegee Assembly - complete
39.	14-100258-000	Up/Down Switch Cable Assembly
40.	11-007776-000	Flat Head Cap Screw (1/4-20 X 5/8")
41.	14-100457-001	Inner Squeegee Extrusion (left hand)
42.	11-170007-015	Nut (1/4-20)
43.	11-007775-000	Flat Head Cap Screw (1/4-20 X 1/2")
44.	14-100523-091	V-Squeegee Blade Assembly
45.	14-100457-002	Inner Squeegee Extrusion (right hand)
46.	14-100556-091	Absorbent Wiper Assembly
47.	14-100488-000	Alignment Pin
48.	14-100455-002	Outer Squeegee Extrusion (right hand)
49.	14-100458-002	Arm Bracket (right hand)
50.	14-100460-000	Vacuum Head Assembly
51.	14-100458-001	Arm Bracket (left hand)
52.	14-100455-001	Outer Squeegee Extrusion (left hand)
53.	11-007777-000	Button Head Cap Screw (1/4-20 x 3/4")
54.	11-696736-000	Terminal - Male
55.	11-696701-000	Connector Housing

## Squeegee & Waste System



## Squeegee & Waste System

*Intentionally Blank Page*

Section B

**Chassis & Drive System**

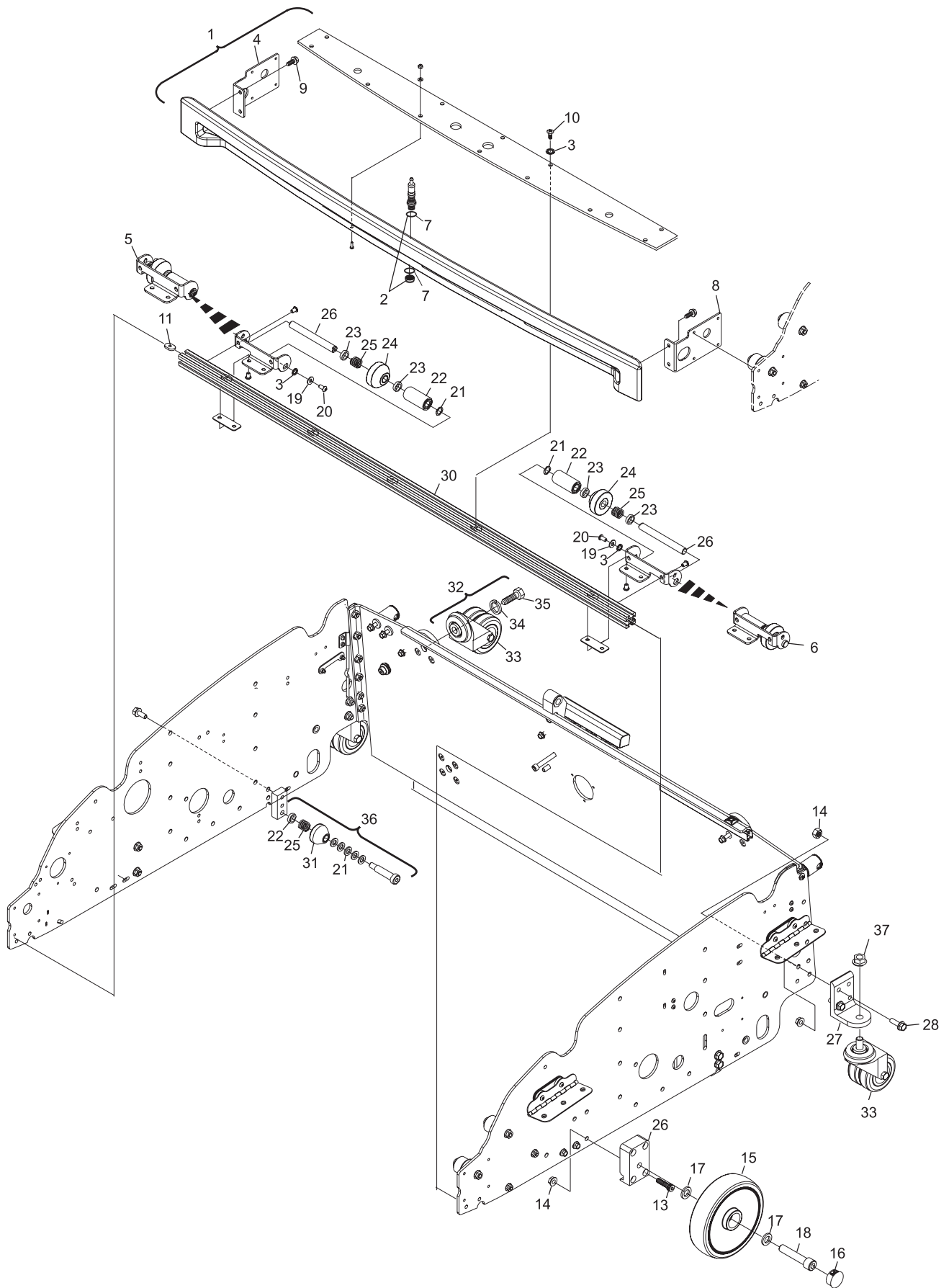
**Index**

<b>No.</b>	<b>Part No.</b>	<b>Description</b>
1.	14-100776-000	Front Handle/Bumper
2.	14-100235-091	End of Lane Sensor
3.	11-199005-015	Internal Tooth Lockwasher (1/4)
4.	14-100777-001	Front Handle/Bumper Bracket (left hand)
5.	14-860241-002	Transition/Guide Wheel Assembly (right hand)
6.	14-860241-001	Transition/Guide Wheel Assembly (left hand)
7.	11-625601-000	O-Ring
8.	14-100777-002	Front Handle/Bumper Bracket (right hand)
9.	11-010790-000	Hex Head Serrated Flange Screw (1/4-20 x 3/8")
10.	11-006177-000	Button Head Cap Screw (1/4 x 3/8")
11.	14-100101-000	T-Nut (1/4-20)
12.	11-191014-015	Flat Washer (3/8)
13.	11-005266-015	Socket Head Cap Screw (5/16-18 x 1-1/2')
14.	11-171501-000	Hex Nut (5/16-18)
15.	14-100732-000	Wheel (6")
16.	11-611610-000	Dome Plug
17.	11-054110-009	Washer - Thick (10 mm)
18.	11-005514-015	Socket Head Cap Screw (1/2-13 x 2-1/2")
19.	11-190010-015	Washer (1/4)
20.	11-006218-015	Button Head Socket Cap Screw (1/4-28 x 1/2")
21.	11-185281-000	Spacer (1/2 x 1/16 x 1/32")
22.	14-100531-000	Transition Wheel Assembly
23.	11-185279-000	Spacer (1/2 I.D. x 1/32")
24.	14-100279-000	Front Guide Wheel
25.	11-581010-000	Compression Spring
26.	14-100731-000	Wheel Mount
27.	14-100730-000	Caster Bracket
28.	11-010787-000	Hex Head Serrated Flange Screw (5/16-18)
29.	11-192576-000	Shim (1/2 I.D. x 7/8 O.D.)
30.	14-100207-000	Front Brace/Transition Wheel Assembly
31.	14-100030-000	Guide Wheel
32.	14-100139-000	Swivel Caster Assembly (3")
33.	14-100138-000	Swivel Caster (3")
34.	11-002246-015	Hex Head Cap Screw (1/2-13 x 1-1/2")
35.	11-195018-015	Lockwasher (1/2)
36.	14-100036-000	Guide Wheel Assembly
37.	11-171505-015	Hex Serrated Flange Nut (1/2-13)

\* *Not Illustrated*

## Chassis System



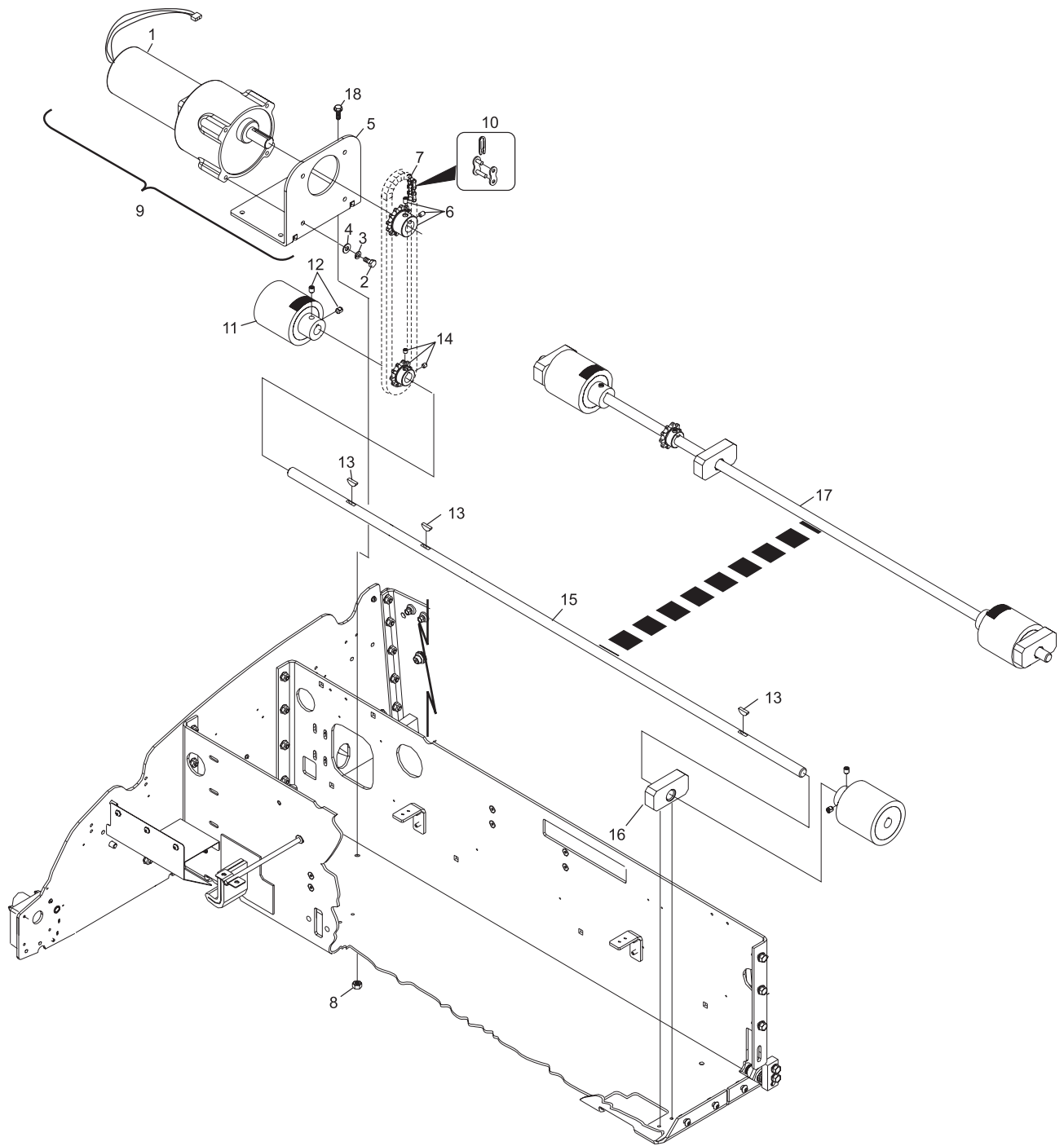


**Chassis System**

**Index**

<b>No.</b>	<b>Part No.</b>	<b>Description</b>
1.	14-100766-000	Drive Motor w/Cable Assembly
2.	11-002033-015	Screw (1/4-28 - 5/8")
3.	11-195014-015	Lockwasher (1/4)
4.	11-190010-015	Flat Washer (1/4)
5.	14-100005-001	Motor Mount Bracket
6.	11-491103-000	Sprocket (12 tooth)
7.	11-601011-000	Roller Chain
8.	11-171504-000	Nut (1/4-20)
9.	14-100767-000	Drive Motor Assembly w/Bracket
10.	11-600001-000	Connecting Link (roller chain)
11.	14-100470-000	Drive Wheel Assembly (urethane)
12.	11-105452-000	Set Screw (5/16-24 x 3/8")
13.	11-050007-000	Woodruff Key
14.	11-491101-000	Sprocket (10 tooth)
15.	14-100015-000	Drive Shaft
16.	14-100026-000	Bearing Block (short shaft)
17.	14-100027-000	Drive Shaft Wheel Assembly
18.	11-010785-000	Screw (1/4-20 x 3/4")

**Traction Drive System**

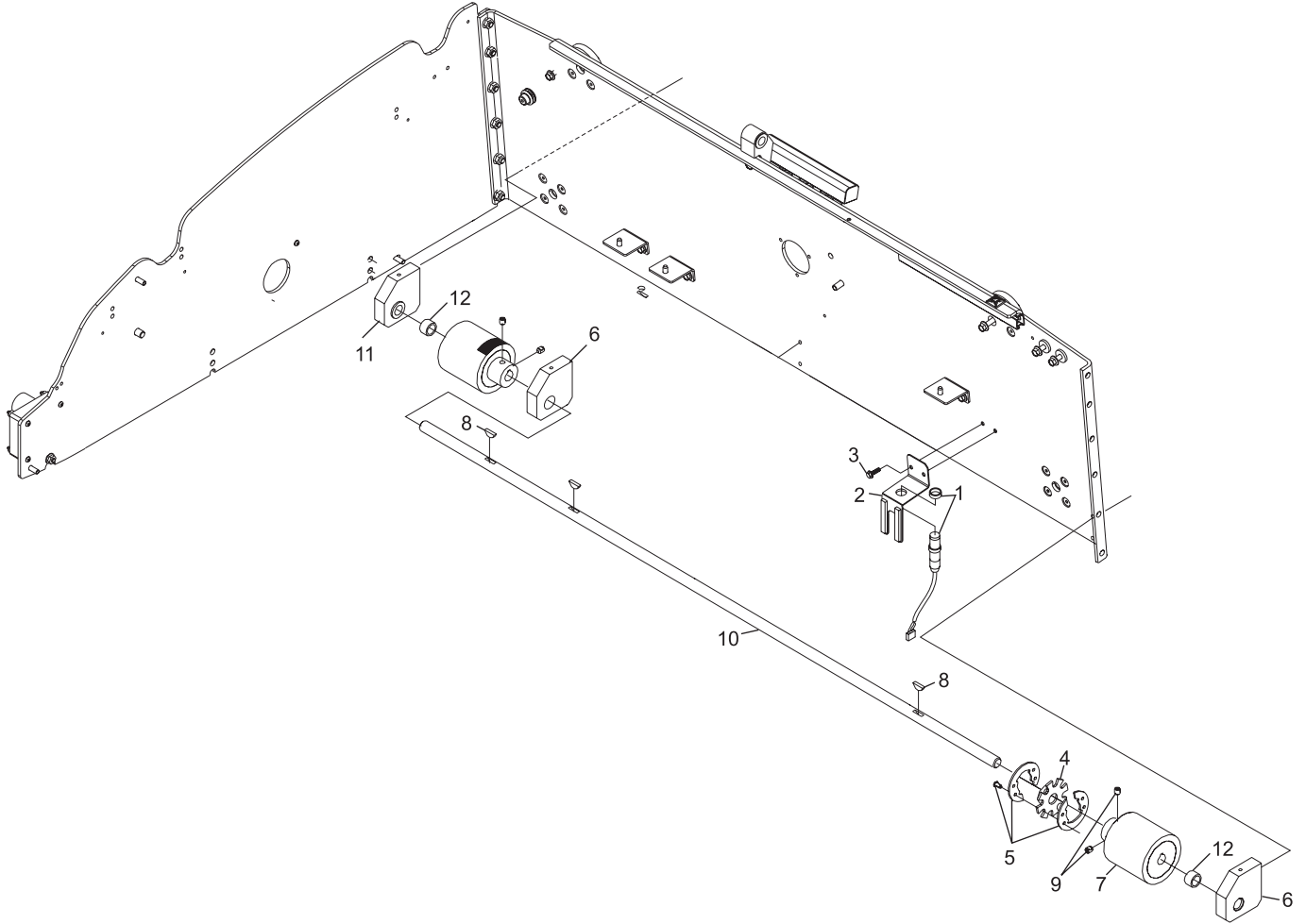


### Traction Drive System

**Index**

<b>No.</b>	<b>Part No.</b>	<b>Description</b>
1.	14-100254-000	Speed Sensor Assembly
2.	14-100541-000	Speed Sensor Bracket
3.	11-010790-000	Hex Head Serrated Flange Screw (1/4-20 x 3/8")
4.	14-100073-000	Position Sensor Wheel Assembly
5.	14-860225-000	Distance Encoder Sprocket Shield
6.	14-100059-001	Bearing Block (left hand)
7.	14-100470-000	Drive Wheel Assembly
8.	11-050007-000	Woodruff Key (3/16 x 3/4)
9.	11-105452-000	Set Screw (5/16-24 x 3/8")
10.	14-100015-000	Drive Shaft
11.	14-100059-002	Bearing Block (right hand)
12.	11-420144-000	Bearing Sleeve (5/8 ID x 13/16 OD)

**Rear Distance Shaft**



## Rear Distance Shaft

*Intentionally Blank Page*

Section C

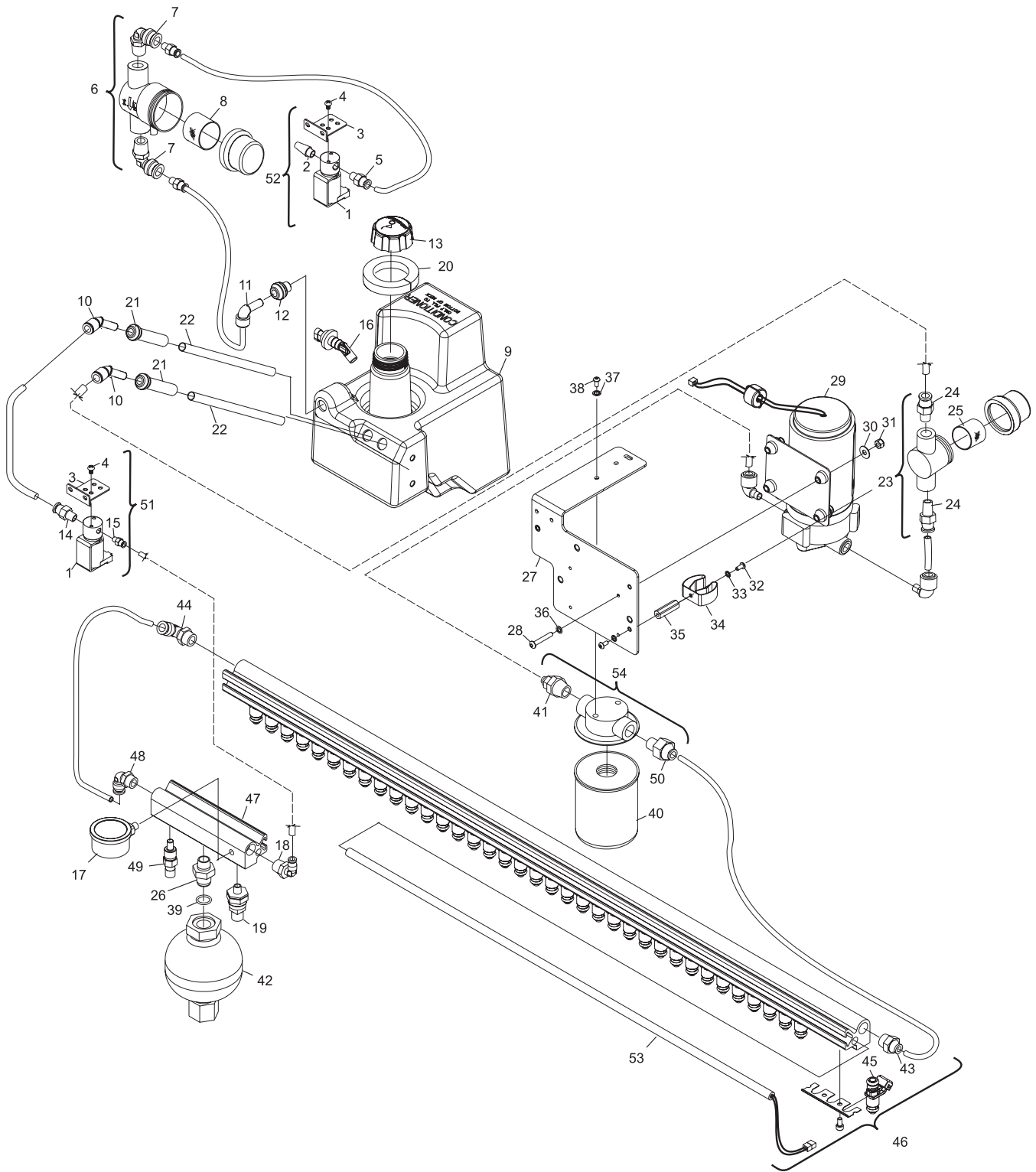
**Conditioning System**

**Index**

<b>No.</b>	<b>Part No.</b>	<b>Description</b>
1.	14-100725-000	Solenoid Valve w/Connector Assembly (24VDC)
2.	11-655016-000	Filter/Muffler
3.	14-100090-000	Mounting Bracket
4.	11-012056-015	Screw (#8-32 x 1/4)
5.	11-655015-000	Male Fitting (1/4 Tube x 1/8 NPT)
6.	14-100025-000	Vent Overflow Line Strainer
7.	11-655026-000	Swivel Elbow Fitting
8.	11-655044-000	Line Strainer (200 mesh)
9.	14-100791-000	Conditioner Tank Assembly - complete
10.	11-655082-000	45° Elbow Fitting (3/8 tube x 3/8 stem)
11.	11-655052-000	90° Elbow Fitting (3/8 tube x 3/8 stem)
12.	14-100430-000	Grommet (modified)
13.	14-100437-000	Conditioner Tank Cap
14.	11-655063-000	Straight Fitting (1/8 NPT)
15.	11-655015-000	Straight Fitting (1/8 NPT)
16.	14-100942-000	Liquid Level Sensor
17.	11-655065-000	Pressure Dial (0-6 PSI)
18.	11-655028-000	Swivel Fitting - male (1/4 x 3/8 NPT)
19.	11-696945-000	Sensor Pressure (100 PSI)
20.	14-100580-000	Foam - Conditioner Tank Neck
21.	14-100430-000	Grommet (tank)
22.	11-282003-004	Tubing (3/8 O.D. x 6-1/2")
23.	14-100478-000	Line Strainer Assembly
24.	11-655048-000	Connector Fitting (3/8)
25.	11-655024-000	Line Strainer (40 mesh)
26.	11-655006-000	Fitting (3/4-16 to 3/8 NPT)
27.	14-100802-000	Conditioner/Pump Mounting Bracket
28.	11-006095-000	Button Head Cap Screw (#10-24 x 1-1/4")
29.	14-100755-091	Conditioner Pump w/Fitting Assembly
30.	11-191753-000	Washer (1/4)
31.	11-170005-015	Lock Nut (#10-24)
32.	11-006061-015	Button Head Socket Cap Screw (#8-32 x 3/8")
33.	11-199002-015	Lockwasher - Internal Tooth (#8)
34.	11-655058-000	Tool Holder
35.	11-185257-000	Standoff (#8-32 x 1-1/4")
36.	11-199003-015	Lockwasher - Internal Tooth (#10)
37.	11-199005-001	Lockwasher (1/4)
38.	11-006178-001	Button Head Cap Screw (1/4-20 x 1/2")
39.	11-625600-000	"O" Ring
40.	11-655029-001	Filter
41.	11-655079-091	Compression fitting (3/8 NPT)
42.	11-655007-000	Accumulator Diaphragm
43.	11-655054-000	Straight Fitting
44.	11-655040-000	Swivel Elbow (male)
45.	14-100323-000	Injector
46.	14-100789-000	Conditioner Rail w/Connector Assembly
47.	14-100071-000	Rail - Accumulator
48.	11-655040-000	Fitting (3/8 tube to 3/8 NPT)
49.	11-696944-000	Coolant Temperature Sensor
50.	11-655054-000	Fitting Straight (1/4 x 3/8 NPT)
51.	14-100783-000	24VDC Solenoid Valve Assembly
52.	14-100784-000	24VDC Conditioner Tank Vent Valve
53.	14-100788-000	Conditioner Rail Heater
54.	14-400481-000	Conditioner Filter Assembly

## Conditioning Delivery System





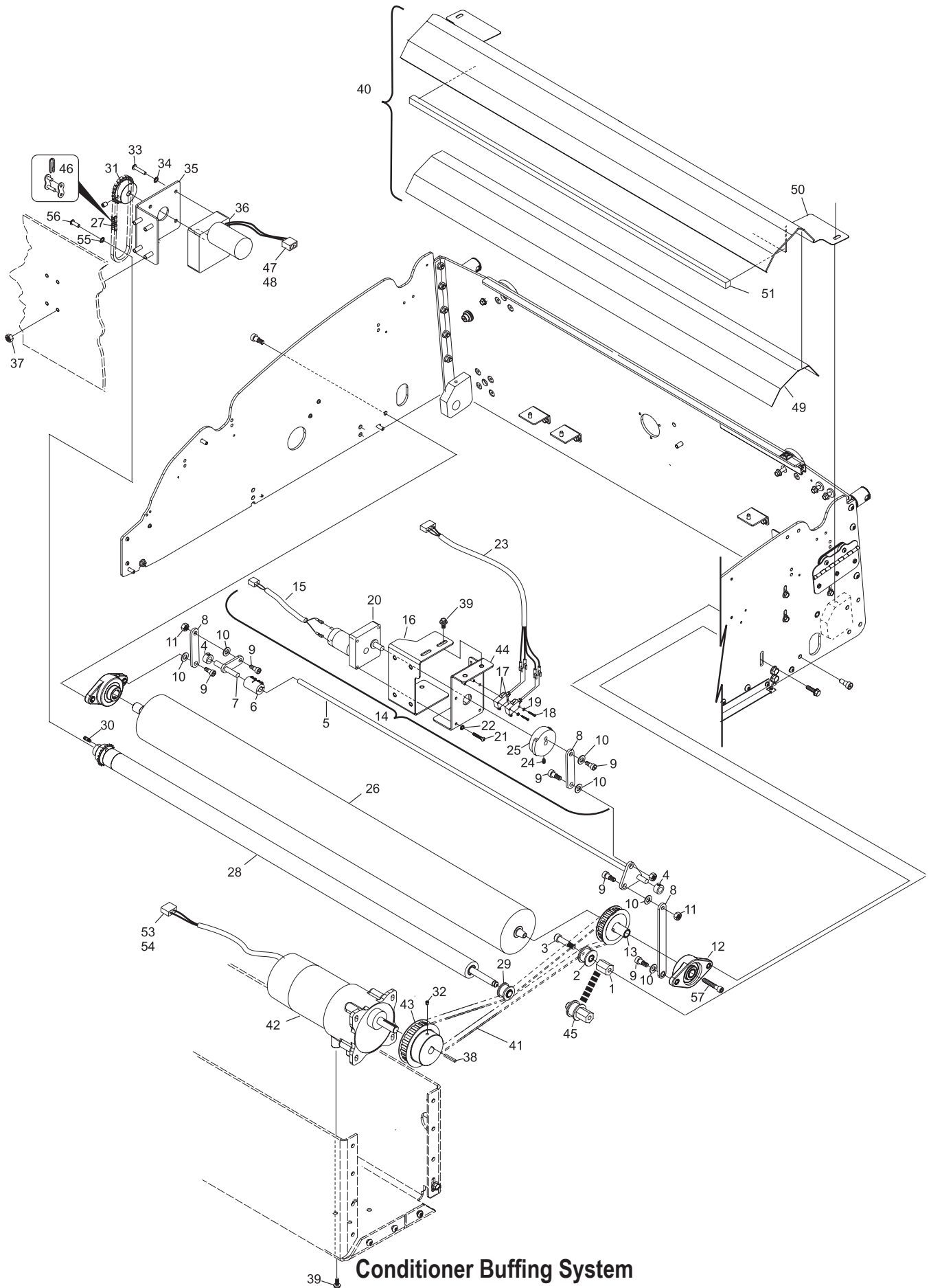
## Conditioning Delivery System

**Index**

<b>No.</b>	<b>Part No.</b>	<b>Description</b>
1.	14-100057-000	Idler Pulley Mount
2.	14-100056-000	Idler Puller Tension Adjuster
3.	11-106554-009	Socket Head Shoulder Screw (5/16-18 x 3/8 Dia. x 1")
4.	11-655032-000	Shaft Collar (3/8")
5.	14-100800-000	Pivot Rod Assembly (long)
6.	14-100311-000	Shaft Coupler (3/8" to 3/8")
7.	14-100315-000	Pivot Rod Assembly (short)
8.	14-100796-000	Up/Down Linkage
9.	11-106550-009	Socket Head Shoulder Screw (5/16-18 x 3/8" Dia. x 3/8")
10.	11-191752-000	Nylon Washer (.390 I.D. x .75 O.D. x .062)
11.	11-125202-015	Nut (5/16-18)
12.	14-100044-000	Flange Mount Bearing Assembly
13.	14-100042-000	Gear belt Pully/Short Shaft Assembly
14.	14-100793-000	Buffer Up/Down Motor Assembly
15.	14-100258-000	Up/Down Motor Cable Assembly
16.	14-100795-000	Buffer up/Down Motor Frame Bracket Assembly
17.	11-616026-000	Switch
18.	11-006010-000	Button Head Cap Screw (#4-40 x 1")
19.	11-199000-015	Internal Tooth Lock Washer (#4)
20.	14-100724-022	Gear Motor w/Connector (Buffer Up Down)
21.	11-006125-000	Button head Socket Cap Screw (#10-32 x 1")
22.	11-199003-015	Internal Tooth (#10) Lockwasher
23.	14-100258-000	Up/Down Switch Cable Assembly
24.	11-105454-000	Set Screw (1/4-28 x 3/8")
25.	14-100729-000	Buffer Up/Down Cam
26.	14-100043-000	Buffer Brush Assembly
27.	11-601010-000	Roller Chain
28.	14-100070-000	Dispersion Roller Assembly
29.	14-100111-000	Dispersion Roller Idler Pulley
30.	14-100202-000	Grease Fitting
31.	11-491104-000	Sprocket - 23 Tooth (3/8" bore)
32.	11-105451-000	Set Screw (#10-32 x 1/4")
33.	11-006125-000	Hex Head Socket Screw (#10-32 x 1")
34.	11-199003-015	Internal Tooth Lockwasher (#10)
35.	14-100762-000	Dispersion Roller Motor Bracket
36.	14-100724-050	Gear Motor w/Connector Assembly (Dispersion Roller)
37.	11-171504-000	Nut (1/4-20)
38.	10-621013-000	Key - Square (1/8" x 1")
39.	11-010782-000	Hex Serrated Head Cap Screw (1/4-20 x 1/2")
40.	14-100434-000	Buffer Brush Shield w/Felt Assembly
41.	11-655073-000	Gearbelt (28.5")
42.	14-100744-000	Buffer Brush Motor w/Connector
43.	14-100747-000	Gear Belt Pulley - 24 Teeth
44.	14-100794-000	Buffer Cam and Switch Bracket
45.	14-100567-000	Buffer Belt Tensioner Pulley
46.	11-600010-000	Chain Link
47.	11-680302-000	Terminal - Pin
48.	11-680116-000	Connector Housing
49.	14-100433-000	Buffer Shield Felt
50.	14-100426-000	Buffer Shield Guard
51.	14-100427-000	Buffer Shield Drip Foam
52.	*14-100557-000	Buffer Shield HP V-Shape Drip Foam
53.	11-696701-000	Connector Housing
54.	11-696736-000	Terminal
55.	11-199005-015	Lockwasher (1/4)
56.	11-006221-000	Screw (1/4-28 x 3/4")
57.	11-005308-000	Hex Socket Head Cap Screw (5/16-24 x 1-3/4")

\* Not Illustrated

## Conditioner Buffing System



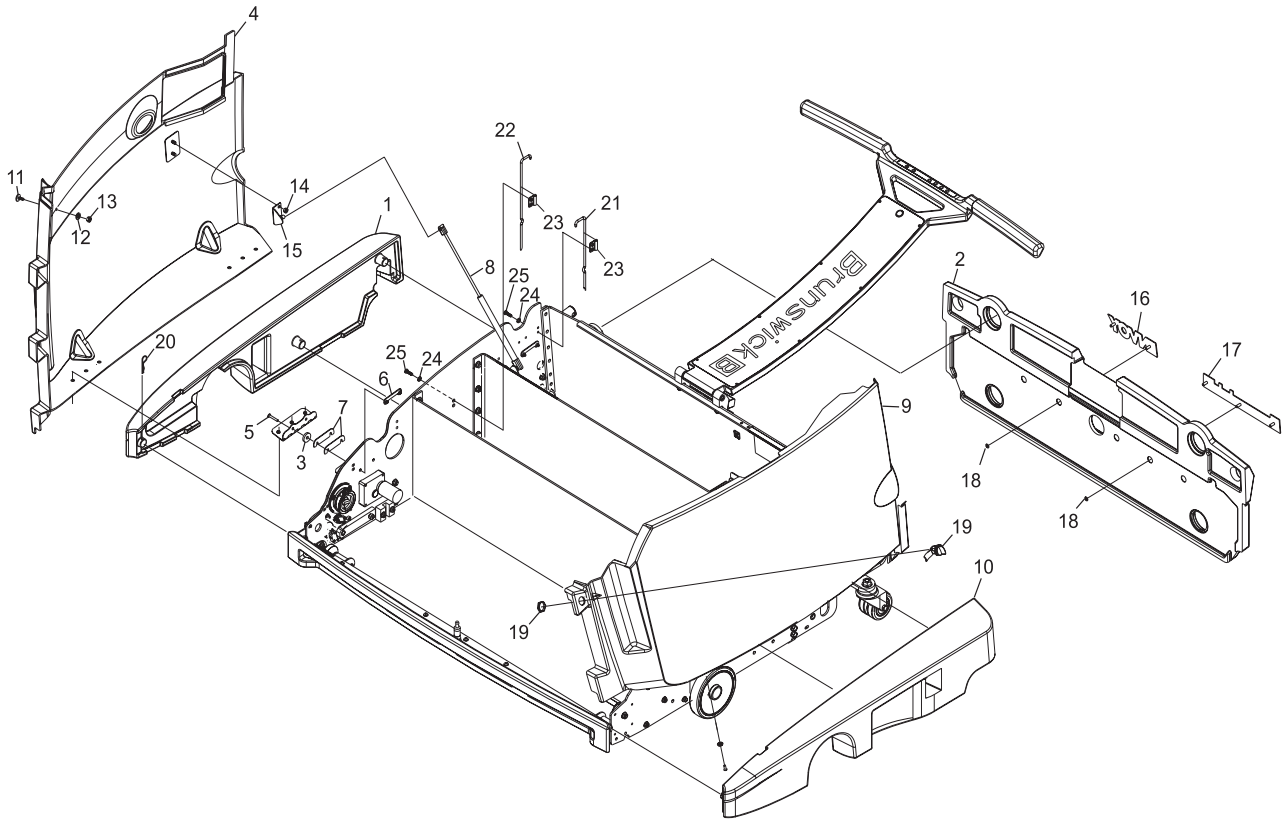
*Intentionally Blank Page*

Section D

**Cover & Handle System**

No.	Index Part No.	Description
1.	14-100738-000	Side Cover (right-hand)
2.	14-100736-000	Rear Cover
3.	11-192028-000	Spacer(nylon)
4.	14-100742-002	Top Cover Assembly (right-hand)
5.	11-006127-000	Button Head Cap Screw (#10-32 x 1-1/4")
6.	14-100312-000	Hinge Nut Plate
7.	14-100373-000	Shim
8.	11-210008-000	Gas Spring (10lb. force)
9.	14-100740-002	Top Cover Assembly (left-hand)
10.	14-100737-000	Side Cover (left-hand)
11.	14-100358-000	Magnet Catch Plate
12.	11-190006-015	Flat Washer (#10)
13.	11-170006-015	Locknut (#10-32)
14.	11-170004-015	Locknut (#8-32)
15.	11-210007-000	Gas Spring Bracket
16.	14-100922-000	Envoy Logo
17.	53-860648-000	Brunswick Logo
18.	11-532004-009	External Retaining Ring
19.	11-112201-000	Latch
20.	11-054301-015	Cover Pin (front)
21.	14-100875-001	Cover Pin (rear)
22.	14-100875-002	Cover Pin (middle)
23.	14-100876-000	Cover Pin (guide)
24.	11-199002-015	Lockwasher (#8)
25.	11-006063-009	Button Head Cap Screw (#8-32 x 1/2")

## Hood System



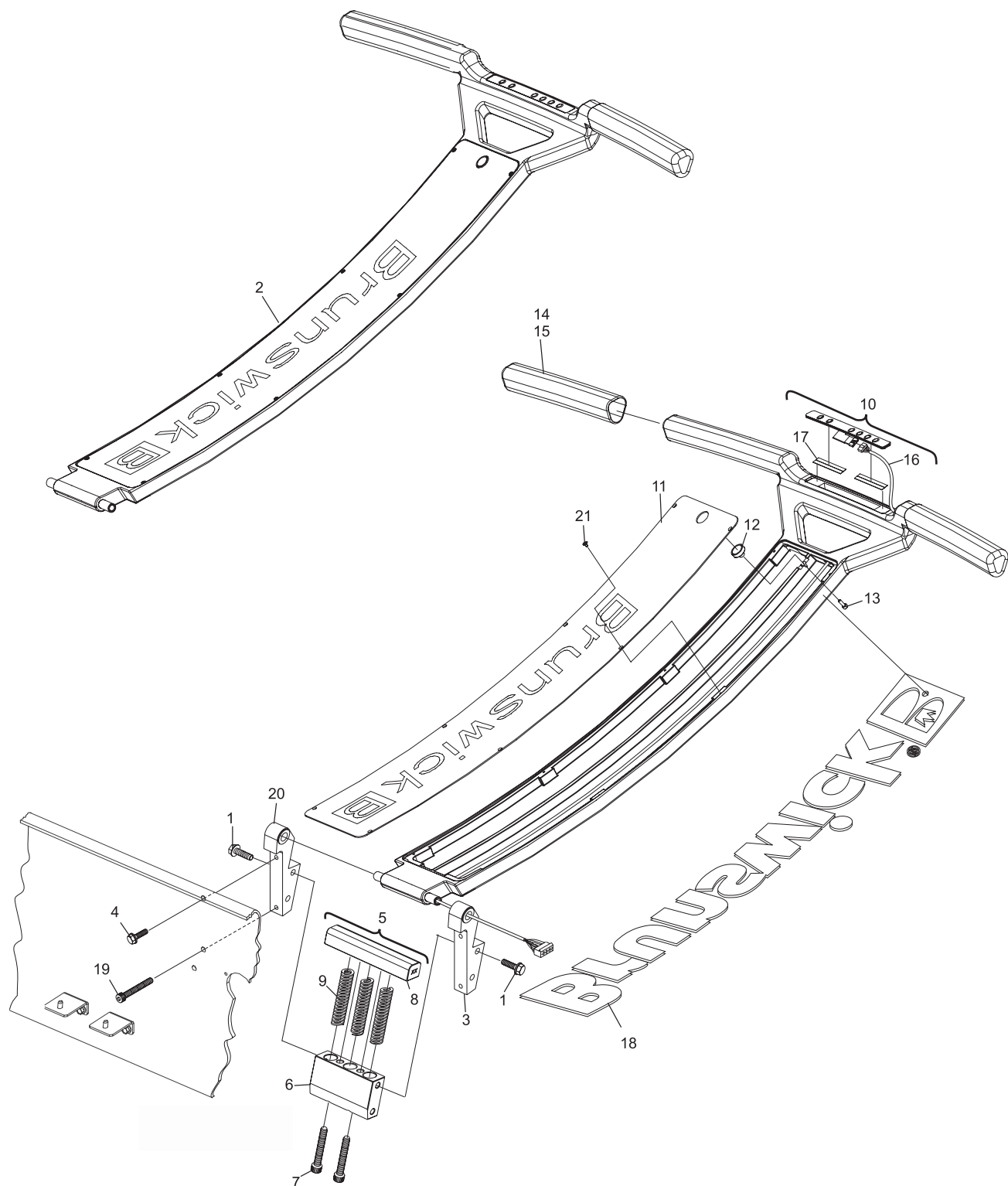
## Hood System

**Index**

<b>No.</b>	<b>Part No.</b>	<b>Description</b>
1.	11-010789-000	Hex Head Serrated Flange Screw (5/16-18 x 1-1/4")
2.	14-100132-001	Handle w/Cover plate Assembly
3.	14-100134-002	Handle Hinge Bracket (left hand)
4.	11-010783-000	Hex Head Serrated Flange Screw (5/16-18 x 3/4")
5.	14-100543-000	Over Travel Block Assembly
6.	14-100142-000	Over Travel Block (lower)
7.	11-005353-015	Socket Head Cap Screw (3/8-16 x 2-1/4")
8.	14-100141-000	Over Travel Block (upper)
9.	11-581050-000	Spring
10.	14-100393-000	Handle Keypad Assembly
11.	14-100376-001	Handle Cover Plate
12.	11-637202-000	Magnet
13.	11-004996-000	Socket Head Cap Screw (M4 x 12 mm)
14.	14-100012-002	Handle Grip (left hand)
15.	14-100012-001	Handle Grip (right hand)
16.	14-100186-091	Handle Keypad to GUI Cable Assembly
17.	84-200297-000	Double Sided Adhesive Foam Tape
18.	14-100415-001	Raised Brunswick Decal
19.	11-005272-015	Socket Head Cap Screw (5/16-18 x 2")
20.	14-100134-001	Handle Hinge Bracket (right hand)
21.	11-084222-015	Flat Head Self Tapping Screw (#4-40 x 1/4")

**Handle System**





## Handle System

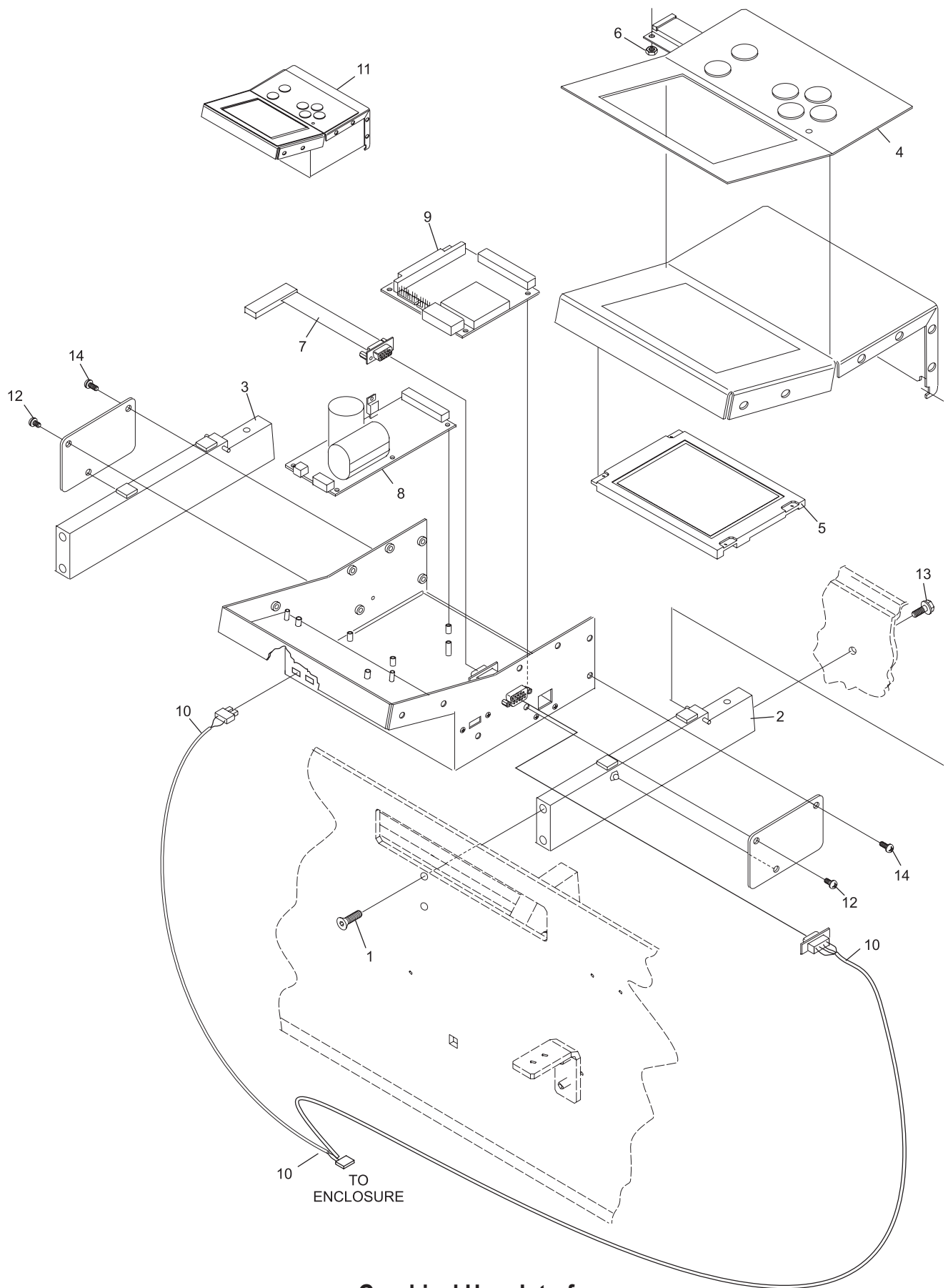
*Intentionally Blank Page*

Section E

**Electrical System**

<b>Index No.</b>	<b>Part No.</b>	<b>Description</b>
1.	11-007180-015	Flat Head Socket Cap Screw (1/4-20 x 5/8")
2.	14-100441-001	GUI Support Assembly (left hand)
3.	14-100441-002	GUI Support Assembly (right hand)
4.	14-100357-000	GUI Keypad
5.	14-100176-000	GUI LCD
6.	11-176-005015	Keys Nut (#6-32)
7.	14-100853-000	Com 1 Ribbon Cable Assembly
8.	14-100177-000	UPS PCB
9.	14-100857-400	GUI PCB
10.	14-100812-000	GUI Power/Communications Cable Assembly
11.	14-100842-400	Graphics User Interface
12.	11-012056-015	Pan Head Socket Screw (#8-32 x 1/4")
13.	11-010783-000	Hex Head Serrated Flange Screw (5/16-18 x 3/4")
14.	11-012057-015	Pan Head C.R. Screw (#8-32 x 5/16")
15.	*14-860246-000	Pkg. Emergency Run Display

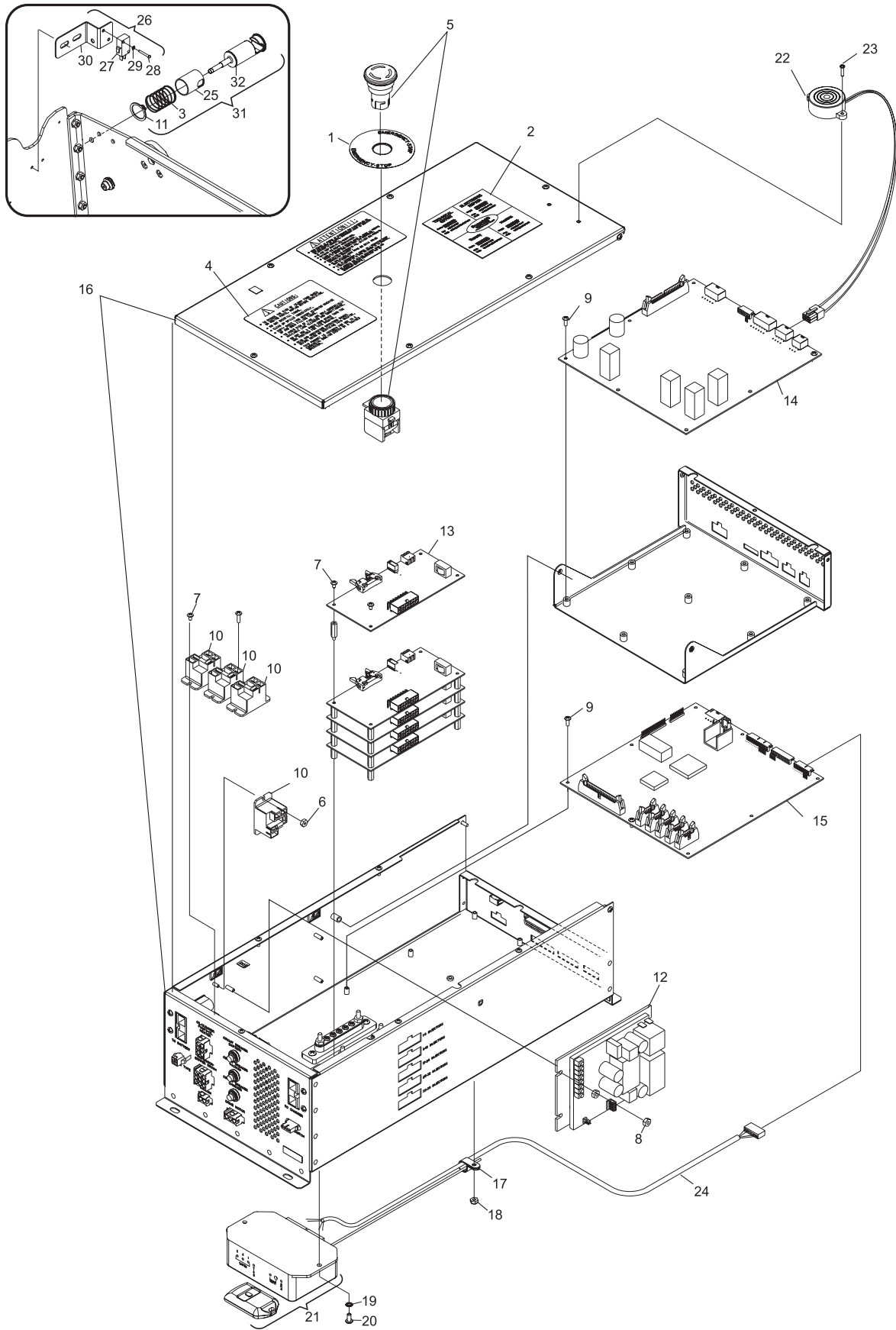
\* Not Illustrated



## Graphical User Interface

Index No.	Part No.	Description
1.	11-900717-000	Decal - Emergency Stop
2.	14-100450-000	Decal - CRC and Warranty Contact
3.	11-581012-000	Spring
4.	14-100146-000	Decal - Cautions and Warnings
5.	14-100838-000	Emergency Stop Assembly, DC Lane Machine
6.	11-176005-001	Keps Nut (#6-32)
7.	11-012020-001	Screw Pan Head C.R. Int. (#6-32 x 1/4).
8.	11-176007-001	Keps Nut (#8-32)
9.	11-012022-001	Screw Pan Head C.R. (#6-32)
10.	11-672528-000	Power Relay (T9A)
11.	11-530031-015	Retaining Ring (external)
12.	14-100822-000	Motor Control, Variable Speed, Battery Power
13.	14-100583-000	V3.0 Injector Driver Board - Assembly
14.	14-100610-000	Motor Controller PCB, 24V LM
15.	14-100750-400	DC Lane Machine, Controller PCB - Assembly
16.	14-100775-400	Electrical Control Enclosure
17.	11-603142-000	Cable Clamp (7/16")
18.	11-170002-015	Locknut (#6-32)
19.	11-199002-015	Internal Tooth Lockwasher (#8)
20.	11-006061-015	Button Head Hex Cap Screw (#8-32 x 3/8")
21.	14-100907-000	Remote Stop Receiver and Controller
22.	14-100945-000	Audio Bleep Indicator - Assembly
23.	11-012006-015	Screw w/Lockwasher (#4-40 X 1/2")
24.	14-100932-000	DC Controller PCB Remote Receiver Cable
25.	14-100160-000	Cord Kill Switch Sleeve
26.	14-100162-000	Cord Kill Switch Assembly
27.	11-616031-000	Switch
28.	11-006007-000	Button Head Cap Screw (#4-40 x 5/8")
29.	11-170000-015	Nut (#4-40)
30.	14-100161-000	Switch Bracket
31.	14-100267-000	Cord Kill Stud Assembly
32.	14-100159-000	Cord Kill Switch

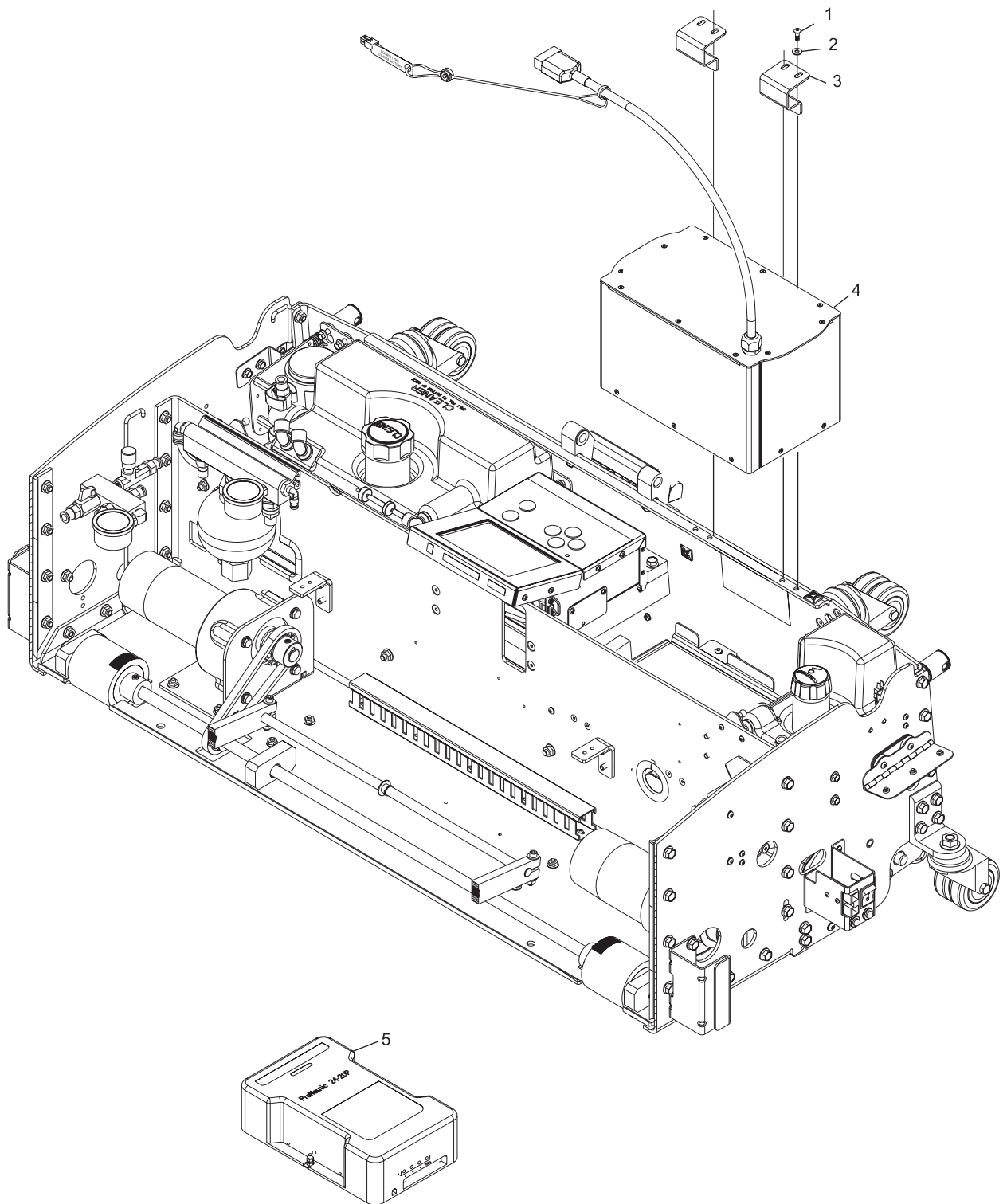
## Electrical Enclosure



## Electrical Enclosure

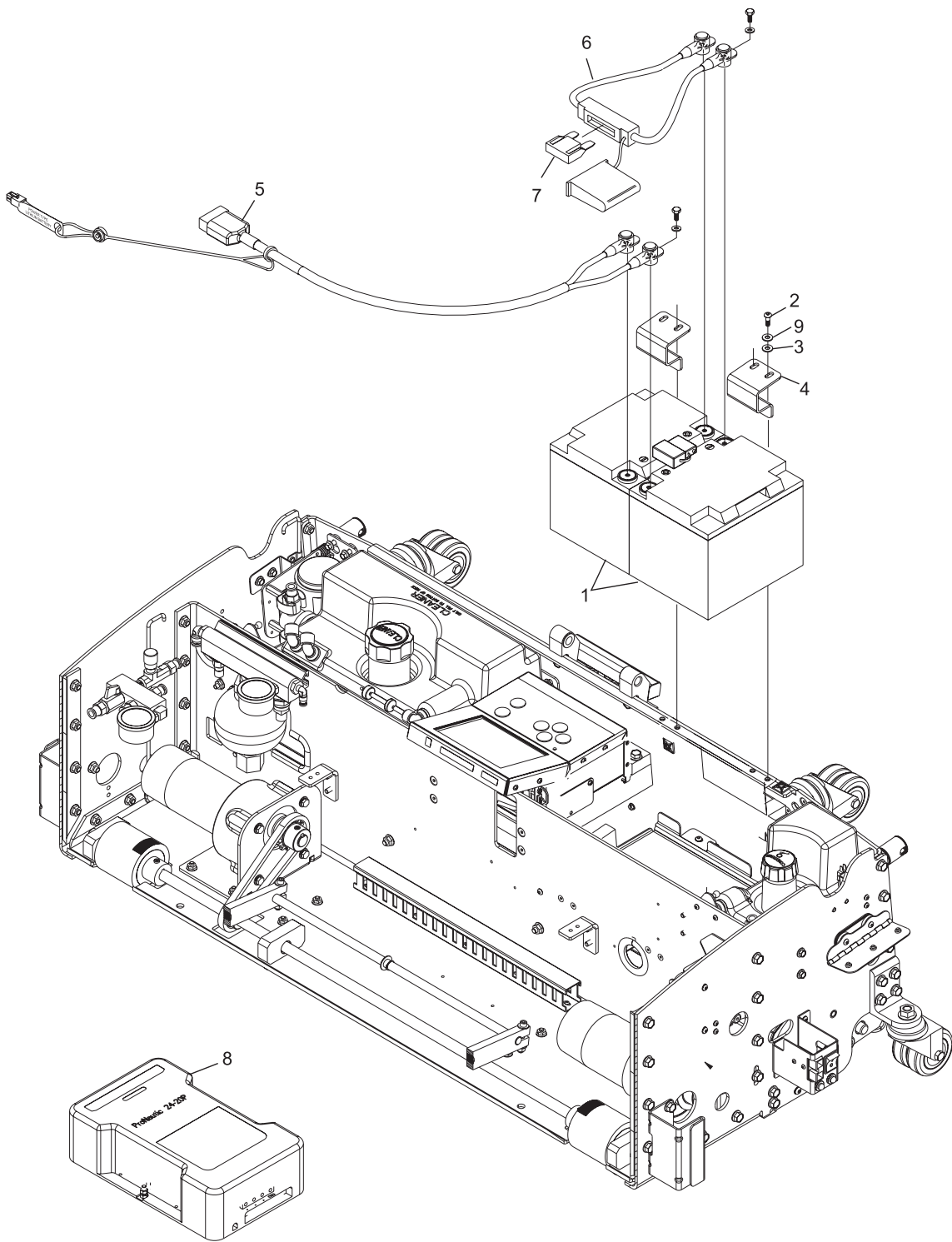
<b>Index No.</b>	<b>Part No.</b>	<b>Description</b>
1.	11-006120-015	Screw (#10-32 X 5/8")
2.	11-190006-015	Plain Washer (#10)
3.	14-100893-000	Battery Clamp
4.	14-100957-002	Lithium Battery Cable W/Jumper Assembly
5.	14-100924-115	Battery Charger (115V)
	14-100924-230	Battery Charger (230V)





## Lithium Power

<b>Index No.</b>	<b>Part No.</b>	<b>Description</b>
1.	R8-040000-000	Battery - 12 VDC AGM (pair 2)
2.	11-006120-015	Screw (#10-32 X 5/8")
3.	11-190006-015	Plain Washer (#10)
4.	14-100753-000	Battery Clamp - AGM
5.	14-100957-003	AGM Battery Cable w/Jumper Assembly
6.	14-100931-000	In-Line Fuse Assembly
7.	11-685134-000	Fuse (40 AMP Maxi Fuse)9
8.	14-100924-115	Battery Charger (115V)
	14-100924-230	Battery Charger (230V)
9.	11-652054-000	Rubber Washer

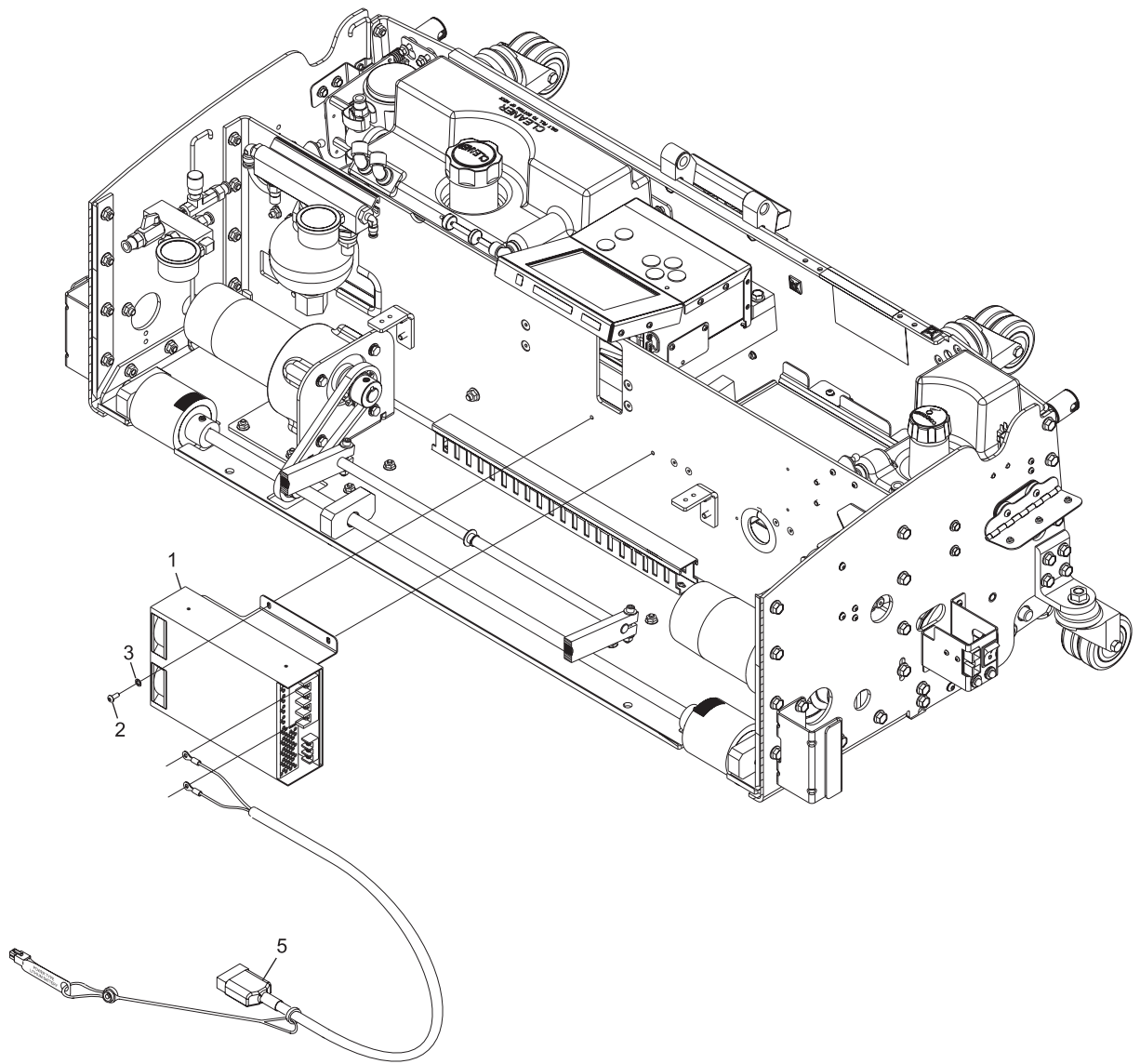


**AGM Power**

<b>Index No.</b>	<b>Part No.</b>	<b>Description</b>
1.	14100948000	AC/DC Power Supply and Mount Bracket Assembly
2.	11-006118-015	Button Head Screw (#10-32 X 1/2")
3.	11-199003-015	Internal Tooth Lockwasher (#10)
4.	*14-100887-000	Input Power To DC Power Cable Assembly
5.	14-100957-001	AC/DC Power Supply W/Jumper Cable Assembly

*\* Not Illustrated*

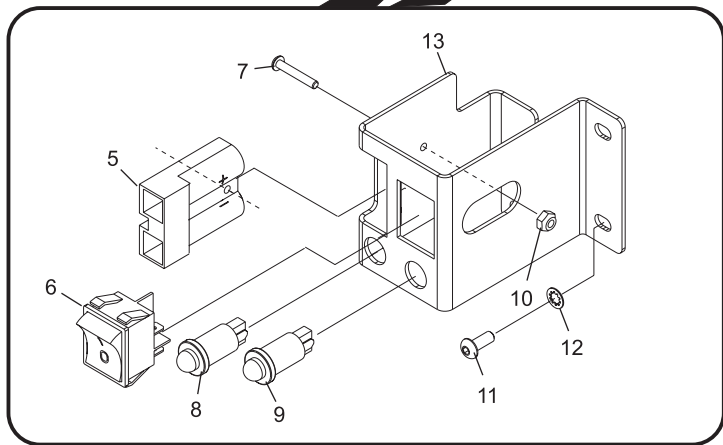
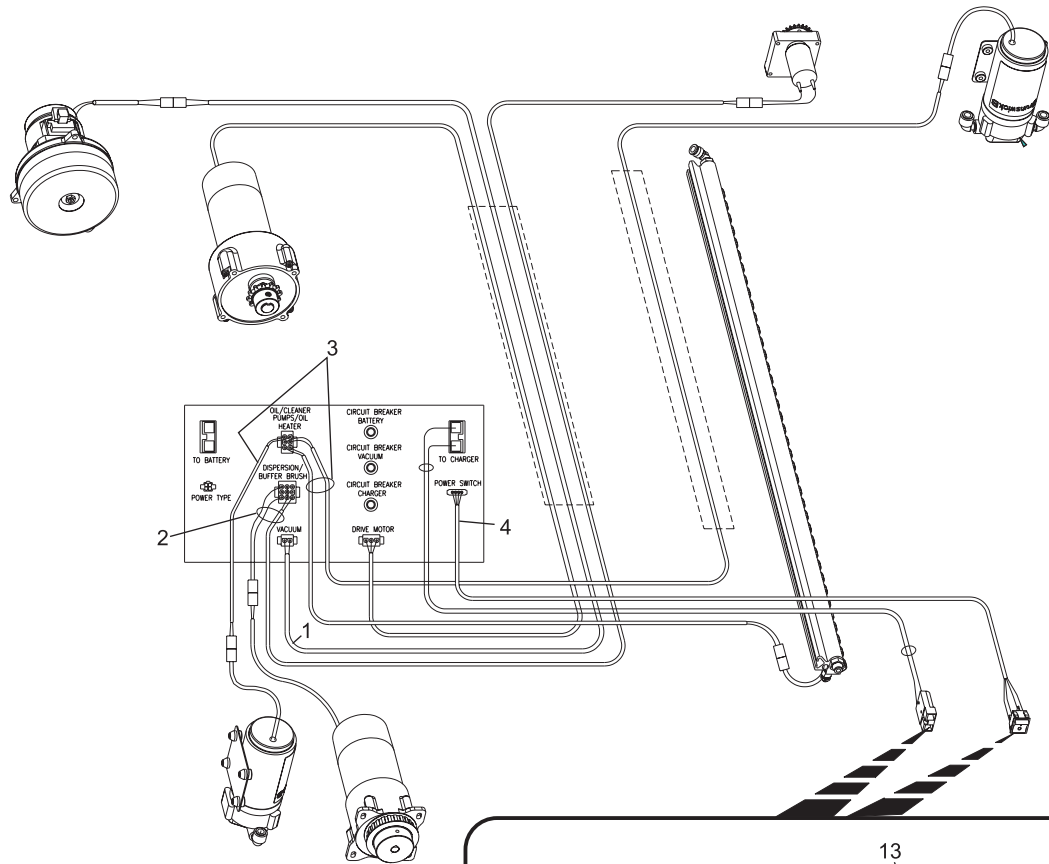
## AC/DC Power



## AC/DC Power

<b>Index No.</b>	<b>Part No.</b>	<b>Description</b>
1.	14-100813-000	Vacuum Motor (DC) Cable Assembly
2.	14-100885-000	Dispersion/Buffer Brush Cable Assembly
3.	14-100886-000	Oil/Cleaner Pumps/Oil Heater Cable Assembly
4.	14-100891-000	Power Switch Cable Assembly
5.	14-100815-000	DC Charging Port Cable Assembly
6.	11-615189-000	Rocker Switch
7.	11-006045-015	Button Head Cap Screw (#10-32 x 1/2")
8.	11-680045-000	LED, Red (12V)
9.	11-680046-000	LED, Green (12V)
10.	11-170020-015	Locknut (#6-32)
11.	11-006118-015	Button Head Cap Screw (#10-32 x 1/2")
12.	11-199003-015	Button Head Cap Screw (#10-32 x 1/2")
13.	14-100847-000	Charging Port Indicator Lights Bracket

## Electronic Enclosure - Left Side Video - Cable Assemblies

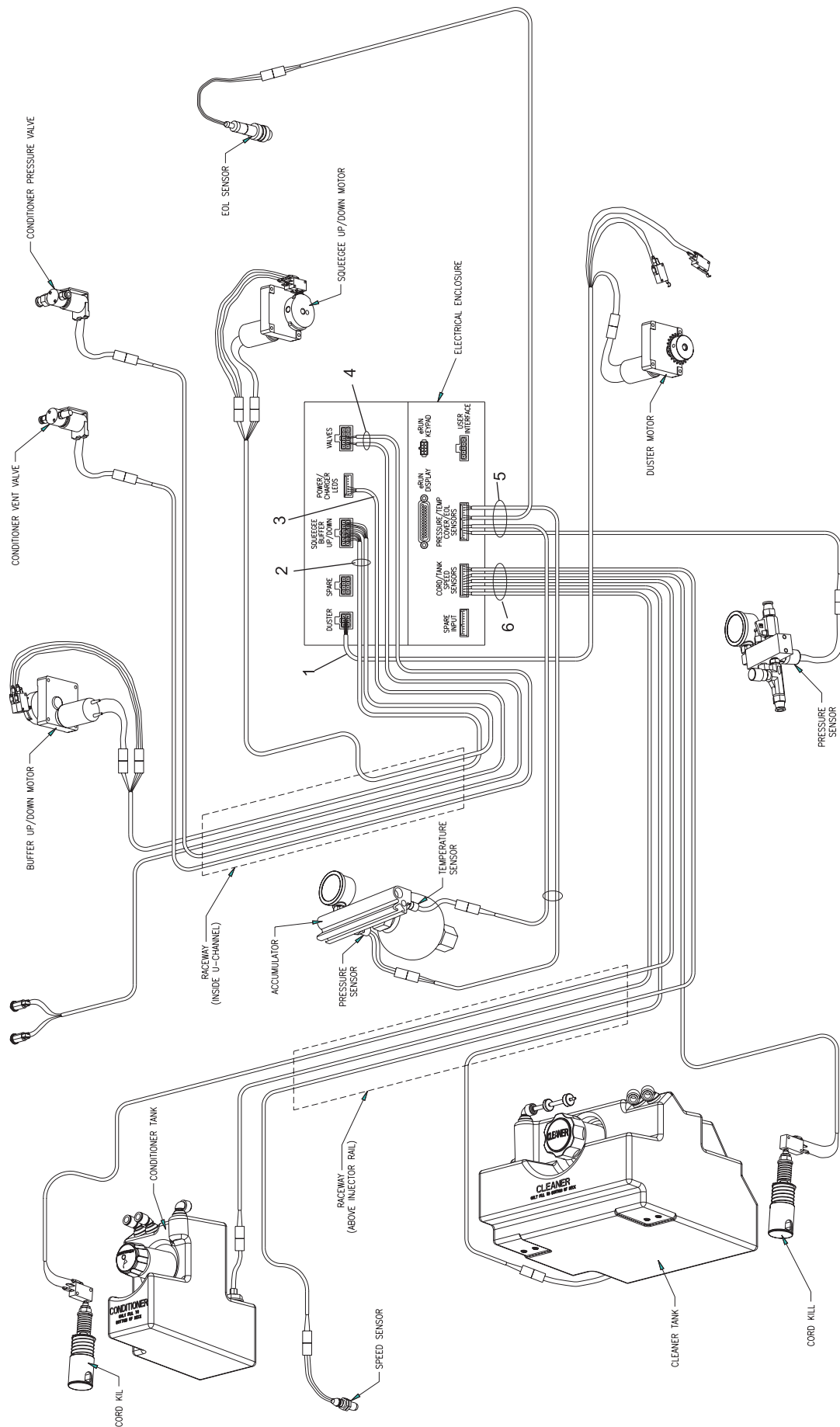


**Electronic Enclosure - Left Side Video - Cable Assemblies**

<b>Index No.</b>	<b>Part No.</b>	<b>Description</b>
1.	14-100884-000	Duster Motor Cable Assembly
2.	14-100883-000	Squeegee/Buffer Up Down Cable Assembly
3.	14-100927-000	Power/Charger LEDs Cable Assembly
4.	14-100846-000	Conditioner Vent/Pressure Valves Cable Assembly
5.	14-100811-000	Temperature/Pressure/EOL Sensors Cable Assembly
6.	14-100810-000	Float/Cord Kill/Speed Sensor Cable Assembly

## **Electronic Enclosure - Right Side Video - Cable Assemblies**

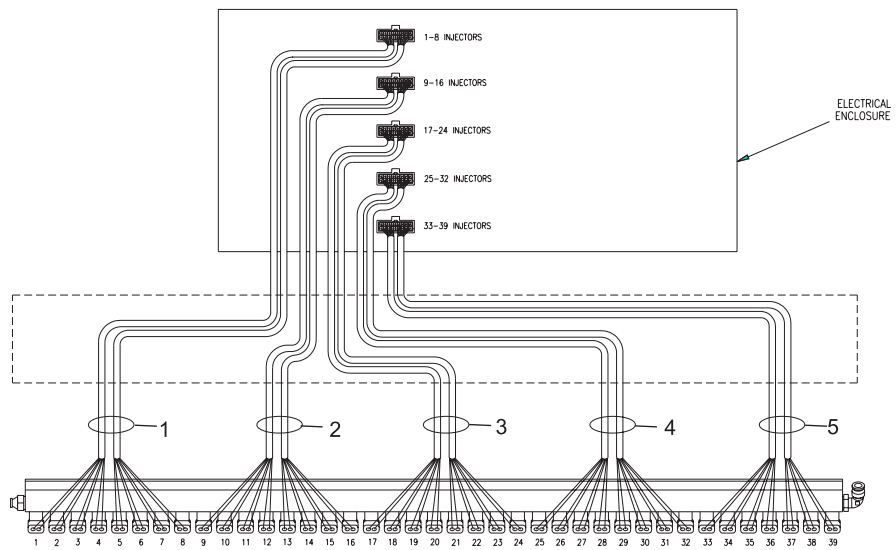




## Electronic Enclosure - Right Side Video - Cable Assemblies

<b>Index No.</b>	<b>Part No.</b>	<b>Description</b>
1.	14-100834-001	1-8 Injectors to Board Cable Assembly
2.	14-100834-002	9-16 Injectors to Board Cable Assembly
3.	14-100834-003	17-24 Injectors to Board Cable Assembly
4.	14-100834-004	25-32 Injectors to Board Cable Assembly
5.	14-100834-005	33-39 Injectors to Board Cable Assembly

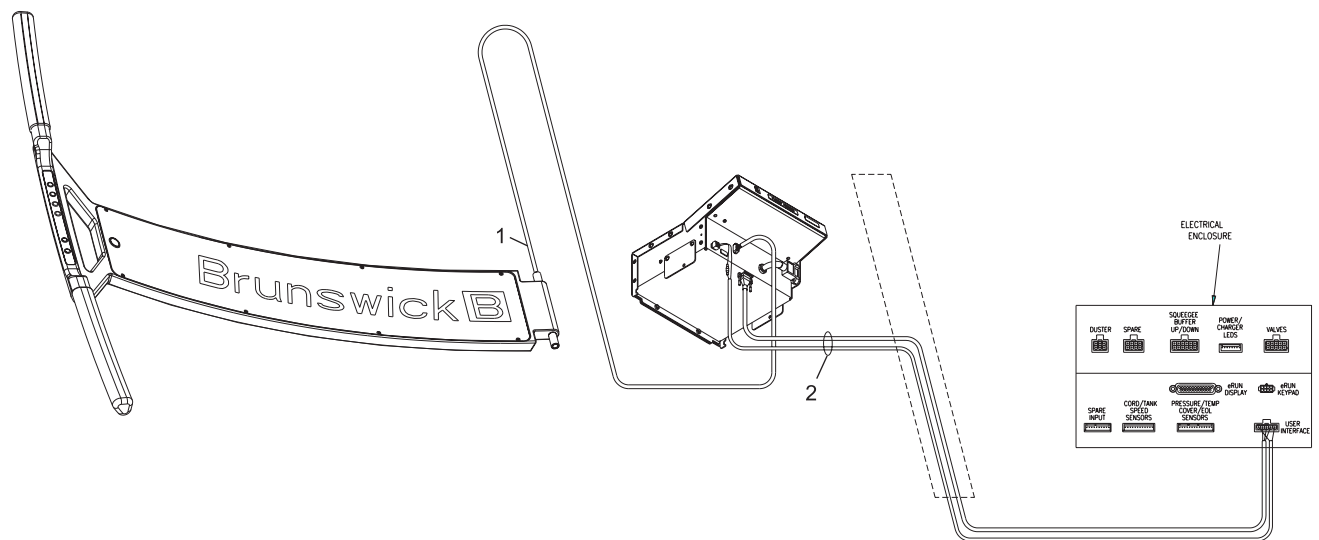
## **Electronic Enclosure - Rear View - Cable Assemblies**



Electronic Enclosure - Rear View - Cable Assemblies

<b>Index No.</b>	<b>Part No.</b>	<b>Description</b>
1.	14-100186-091	Lane Machine keypad Board Cable Assembly
2.	14-100812-000	User Interface (GUI) Communications Cable Assembly

## **Electronic Enclosure - Handle and GUI - Cable Assemblies**

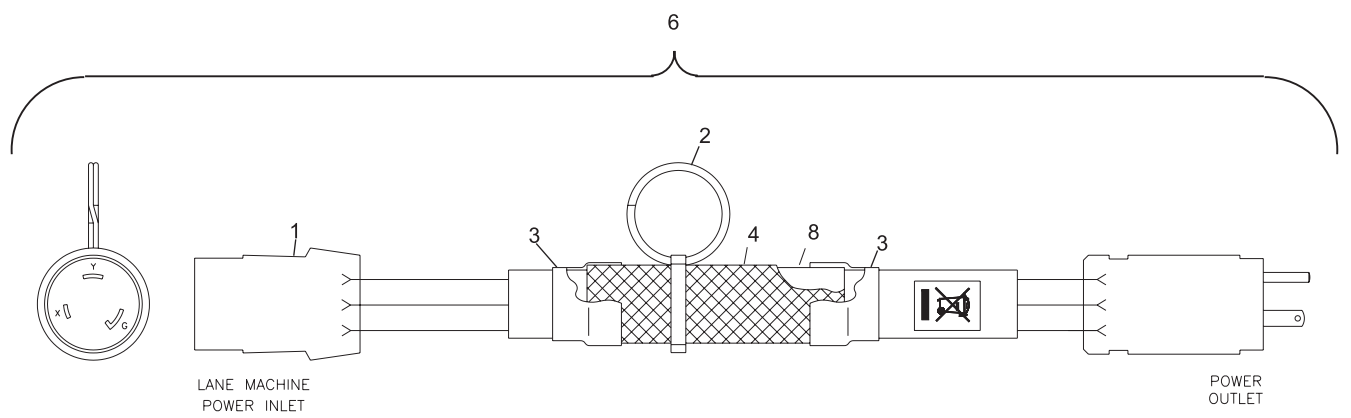


## Electronic Enclosure - Handle and GUI - Cable Assemblies

**Index**

<b>No.</b>	<b>Part No.</b>	<b>Description</b>
1.	11-696749-000	Twist-Lock Connector (250V)
2.	11-603135-000	Split Ring (1.159 I.D.)
3.	11-617079-000	Heat Shrink (6")
4.	11-617076-001	Braided Sleeving
5.	11-617077-002	Heat Shrink (40")
6.	14-860208-024	Envoy Power Cord (115V)
	14-860208-224	Envoy Power Cord (240V)

**Power Cord**



## Power Cord

*Intentionally Blank Page*



Section F

**Miscellaneous**

**Index**

<b>No.</b>	<b>Part No.</b>	<b>Description</b>
1.	14-860214-000	Pkg-Fuse, 4.0A, 250V Slow 5 mm x 20 mm
2.	14-860242-000	Pkg- Fuse, 20A, 250V Slow, 5 mm x 20 mm
3.	14-860216-000	Pkg- Fuse, 10A, 250V Slow, 5 mm x 20 mm
4.	11-685134-000	Fuse, 40A, Maxi
5.	14-860218-000	Pkg- Fuse 6.3A, 250V Slow, 5 mm x 20 mm
6.	14-860219-000	Pkg-Fuse, 1.25A, 250V Slow, 5 mm x 20 mm
7.	11-112134-000	Tool - Dual Fuse Remover
8.	57-901001-000	Uni-Mate Extraction Tool (.093)
9.	57-900102-000	Molex Round Extractor (.062)
10.	57-900104-000	AMP Extractor #18040301 (1 Round)
11.	57-900112-000	Molex Mini-Fit Extraction Tool
12.	57-901002-000	Molex Micro-Fit 3.0 Extraction Tool
13.	11-696736-000	Pins (Uni-Mate)
14.	11-696737-000	Sockets (Uni-Mate)
14.	11-680302-000	Pkg. of 10 Pins (.062)
16.	11-680301-000	Pkg. of 20 Sockets (.062)
17.	11-680316-000	Sockets (Micro-Fit 3.0)
18.	11-692091-000	Pkg of 10 Sockets (Mini-Fit Jr)
19.	11-612153-000	Fast-ons (.250)
20.	11-680328-000	Terminals (.156 kk )
21.	57-900103-000	Crimp Service Tool
22.	11-680309-000	Brass Terminal Loose (.062)

**Fuses/ Extraction Tools/ Pins & Sockets**

**Index**

<b>No.</b>	<b>Part No.</b>	<b>Description</b>
1.	11-655043-006	Tube (3/8" OD x .295 ID x 20')
2.	11-655013-010	Tube (1/4" OD x .170 ID x 20')
3.	11-655039-007	Cleaner Vent Tube (1/4" OD x 20')
4.	14-100092-000	Gage (Depth, Squeegee/Buffer Brush)
5.	11-112132-000	Long T-Handle Allen Wrench (1/4")
6.	11-112133-000	Screwdriver (#2 Phillips 10" Shank)
7.	11-112135-000	Open End Wrench (11/32, 12Pt 4.84" L)
8.	11-676691-000	Loctite Plastic Pipe Sealant (80726)
9.	11-676692-000	Loctite Metal Pipe (#567)
10.	11-676693-000	Loctite Threadlocker (#262 Red 10MI)
11.	11-676696-000	Loctite Threadlocker (#242 Blue 10MI)
12.	11-900080-000	Teflon Tape (Tread Seal 1/2X260")
13.	14-860245-000	Pkg.- AC Input Adapter Kit G.U.I.
14.	14-860209-000	Pkg.- Cleaning Mixing Vessel No Spill
15.	14-860247-000	Pkg.- Spare Parts Kit
16.	14-900101-000	Envoy Operator's Manual

**Tubing/Tools/Miscellaneous**