

Section A

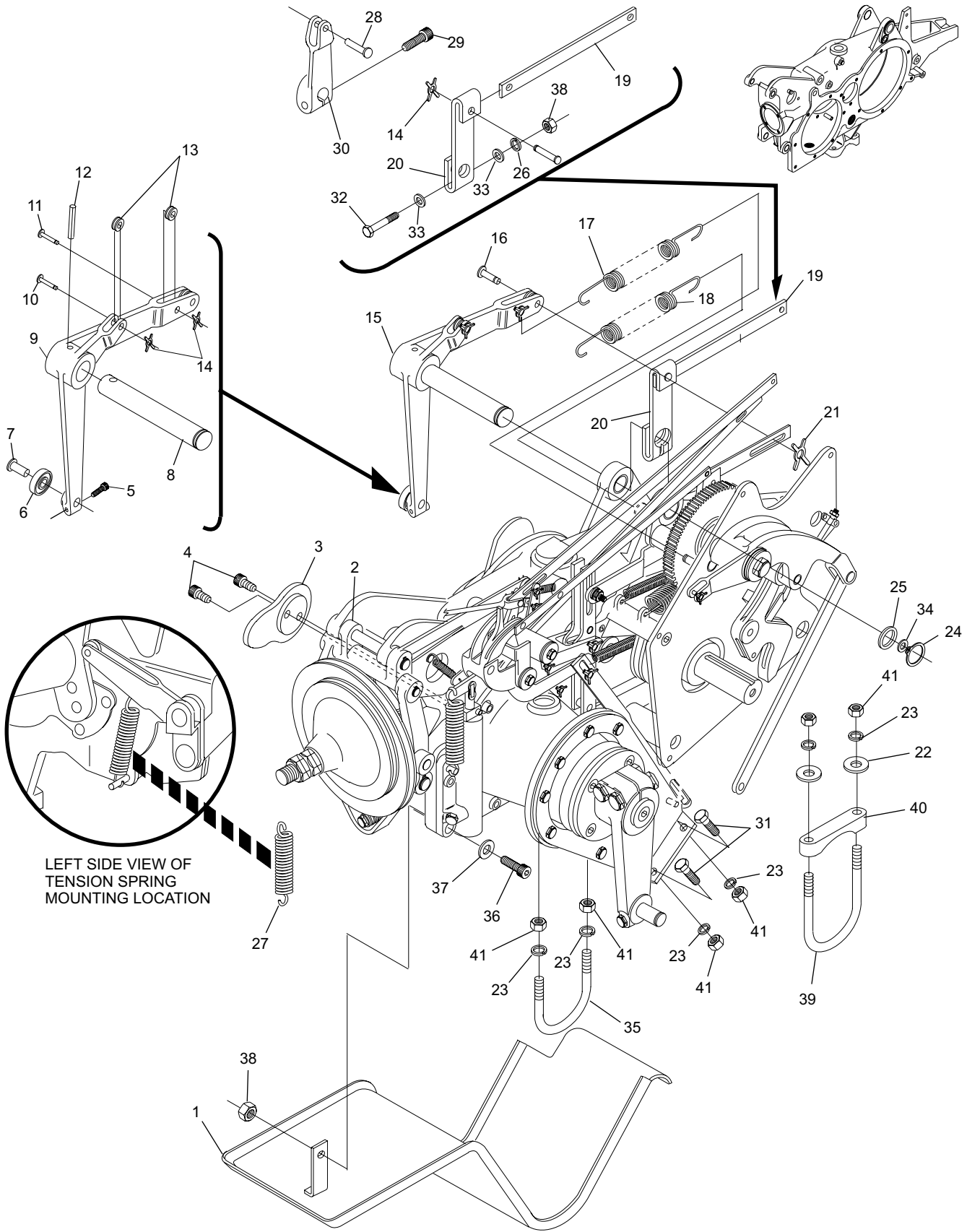
Gear Box

Index

No.	Part No.	Description
1.	12-100316-000	Gear Box Oil Pan
2.	12-100486-000	Clutch Lever Assembly, See Page 9A for breakdown
3.	12-100418-000	Clutch Cam, for all A machines prior to Serial #21125
	12-102418-000	Clutch Cam, for all A2 machines new or converted
4.	11-005263-001	Hex Head Socket Cap Screw (5/16-18 x 7/8"), for A machines prior to Serial #21125
	11-007264-001	Flat Head Socket Cap Screw (5/16-18 x 1"), for A machines Serial #21125 & up
5.	11-005092-001	Hex Head Socket Cap Screw (10-24 x 3/4")
6.	11-435001-000	Ball Bearing
7.	12-100069-000	Stud
8.	12-100072-000	Shaft
9.	12-100178-000	Deck Hook Cam Lever
10.	12-100166-024	X-Washer Pin
11.	12-100166-022	X-Washer Pin
12.	11-360568-000	Spirol Pin (1/4 x 1-1/2")
13.	10-376010-000	Spring Roller
14.	11-230000-001	X-Washer (3/32)
15.	12-100242-000	Deck Hook Cam Lever Assembly
16.	12-100166-027	Pin (.2495 x .820)
17.	12-100107-000	Spring
18.	12-100159-000	Tension Spring
19.	12-100064-000	Bar
20.	12-100392-000	Lever
21.	11-230001-001	X-Washer (1/8)
22.	11-190514-001	Flat Washer
23.	11-195016-001	Lockwasher (3/8)
24.	11-530027-000	External Retaining Ring
25.	12-100170-004	Washer
26.	11-195015-001	Lockwasher (5/16)
27.	12-100158-000	Tension Spring
28.	12-100166-006	X-Washer Pin (7/8 x .187)
29.	11-005268-000	Cap Screw Hex Socket (5/16-18 x 1-1/2")
30.	N.A.	Hook Latch Lever
31.	11-001346-001	Hex Head Cap Screw (3/8-16 x 1-1/4")
32.	11-001270-001	Hex Head Cap Screw (5/16-18 x 1-3/4")
33.	11-190012-001	Flat Washer - SAE (5/16)
34.	12-102155-000	Shim (.010), brown
35.	12-100023-002	U-Bolt
36.	11-005266-001	Hex Head Socket Cap Screw (5/16-18 x 1-1/4")
37.	12-100344-002	Gasket
38.	11-125102-000	Hex Nut (5/16-18)
39.	12-100023-003	U-Bolt
40.	12-100096-000	Block
41.	11-125104-001	Hex Nut (3/8-16)

N.A. = No Longer Available

Gear Box Assembly



LEFT SIDE VIEW OF
TENSION SPRING
MOUNTING LOCATION

Gear Box Assembly

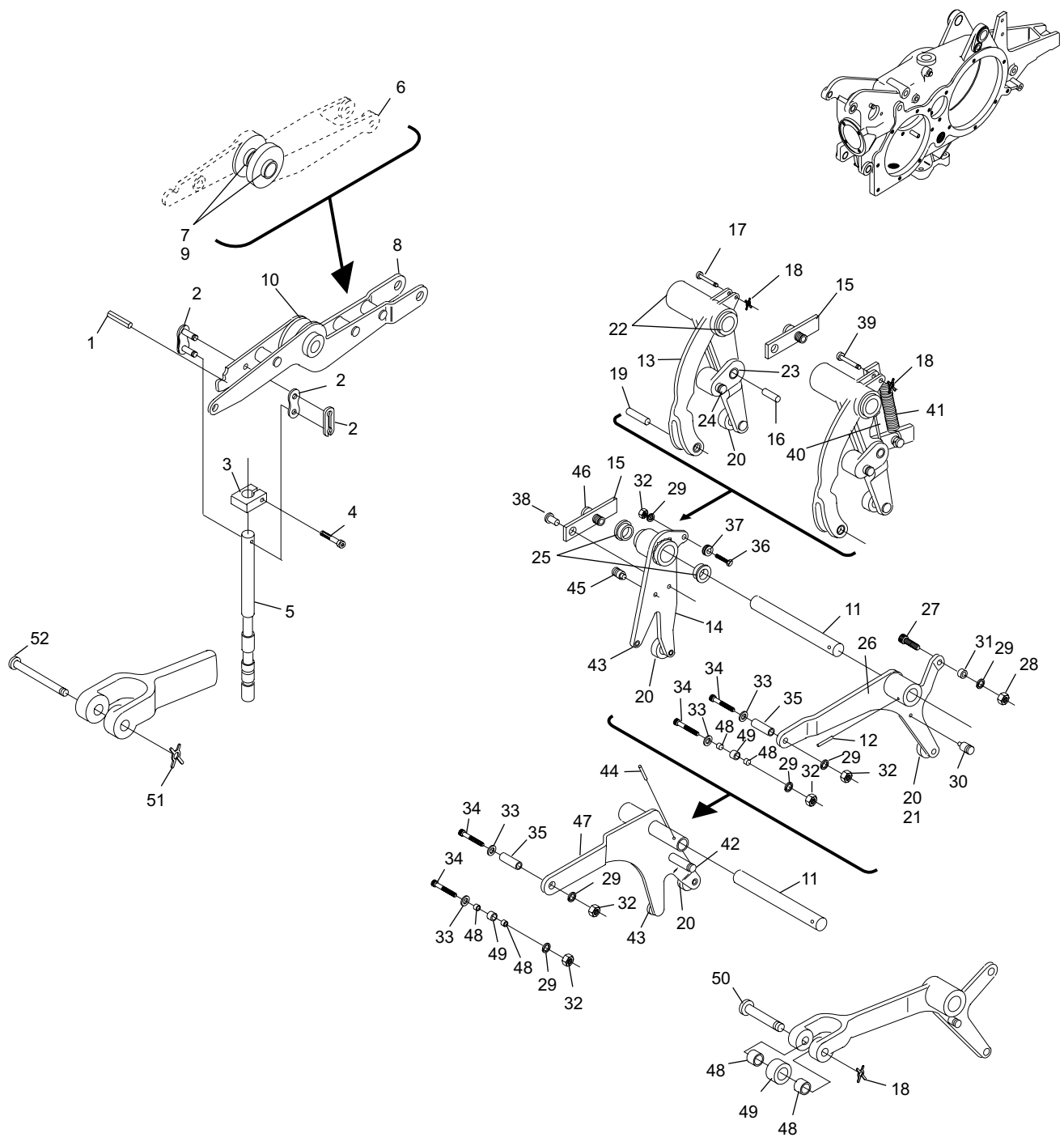
Index

No.	Part No.	Description
1.	11-345302-001	Roll Pin (3/16 x 3/8")
2.	11-600001-000	Connecting Link (1/2") (#40)
3.	12-100050-000	Stop Collar
4.	11-005120-001	Hex Head Socket Cap Screw (10-32 x 5/8")
5.	12-100093-000	Plunger
6.	N.A.	Lever Assembly-See Note
7.	11-421056-000	Bearing (.502 I.D. X .627 O.D.)
8.	12-100465-000	Lever Assembly
9.	12-100334-000	Sleeve Oilite Bearing
10.	12-100469-000	Flanged Bearing
11.	12-100106-0.00	Clutch Reset Lever Shaft
12.	11-360464-000	Spirol Pin (3/16 x 1")
13.	N.A.	Clutch Reset Lever Assembly
14.	12-100490-000	Clutch Lever Reset Assembly
15.	12-100033-000	Reset Latch Assembly
16.	N.A.	Roll Pin
17.	12-100166-004	X-Washer Pin
18.	11-230001-001	X-Washer (1/8)
19.	11-360554-000	Spirol Pin (1/4 x 3/8")
20.	11-436001-000	Ball Bearing
21.	12-100170-019	Washer
22.	11-421024-000	Bearing (.504 I.D. X .689 O.D.)
23.	11-420003-000	Bearing (.260 I.D. X .377 O.D.)
24.	N.A.	Spring Pin
25.	11-421093-000	Flanged Oilite Bearing
26.	12-100176-002	Clutch Reset Lever Assembly
27.	11-437000-000	Ball Bearing
28.	11-125005-001	Hex Nut (#10-32)
29.	11-195010-001	Lockwasher (#10)
30.	12-100115-003	Spring Pin
31.	12-100170-021	Spacer
32.	11-125004-001	Hex Nut (#10-24)
33.	11-190010-001	Flat Washer (1/4)
34.	11-106504-001	Stripper Hex Head Socket Cap Screw (10-24 x 1")
35.	12-100030-005	Roller
36.	11-001062-001	Hex Head Cap Screw (10-24 x 3/4")
37.	12-150130-005	Spring Wheel
38.	12-100493-003	Rivet Pin
39.	12-100166-005	X-Washer Pin
40.	12-102033-000	Link
41.	12-100049-000	Spring
42.	N.A.	Spring Post
43.	12-100493-002	Rivet Pin
44.	11-360460-000	Spiral Pin (3/16 x 3/4")
45.	12-100494-000	Spring Post
46.	12-100032-000	Rivet Pin
47.	12-102176-000	Clutch Reset Lever Assembly, for Model A-2
48.	12-100030-007	Roller
49.	11-481028-000	Roller Bearing (1/4 I.D. X 7/16 O.D.)
50.	10-229007-000	X-Washer Pin (1/4 x 1-5/8")
51.	11-230000-001	X-Washer (3/32)
52.	12-100166-019	X-Washer Pin

N.A. = No Longer Available

NOTE: When replacing Lever Assembly on machines S/N prior to 1593, order 12-100465-000 Lever Assembly plus 2 each 12-100338-004 Spacers.

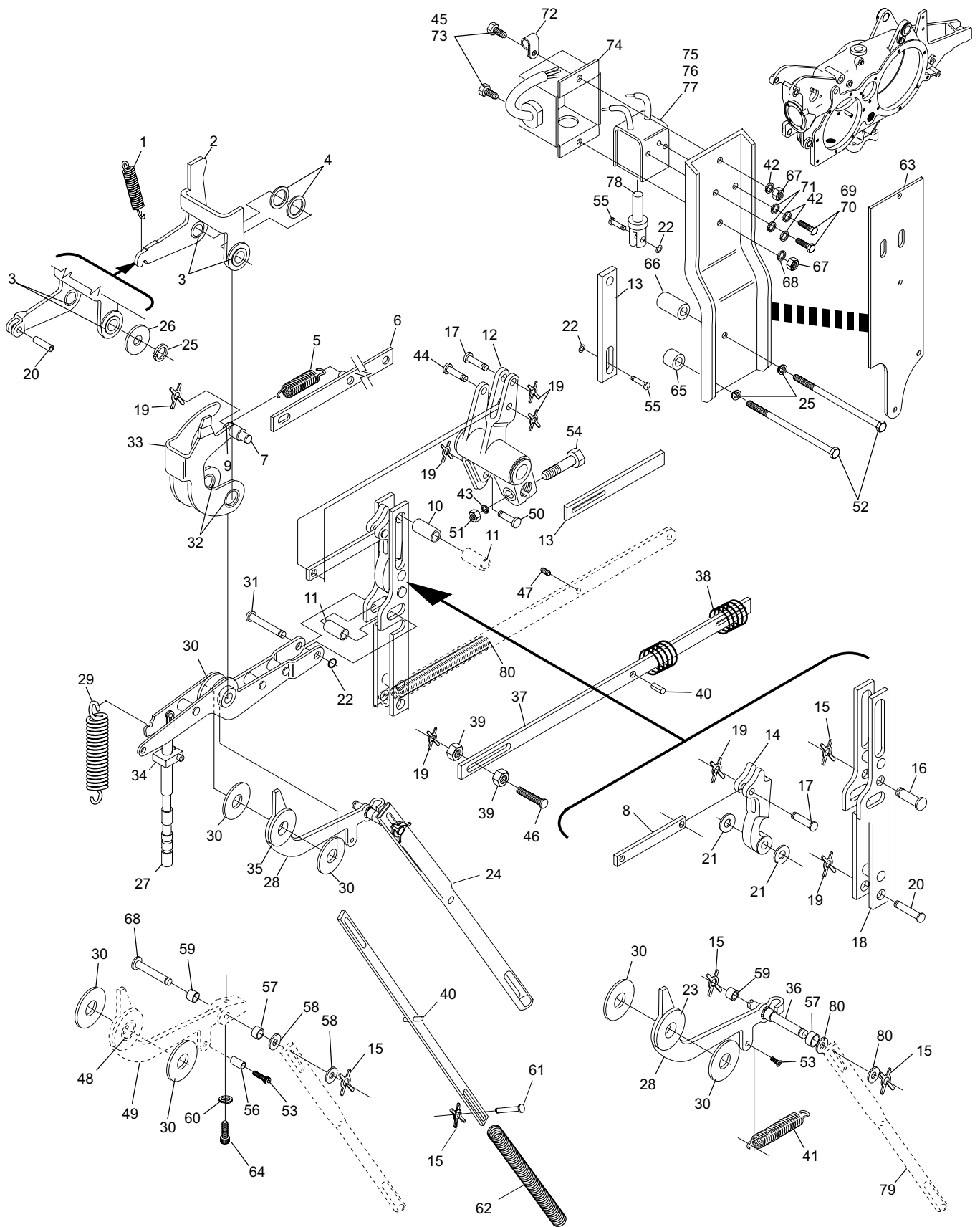
Clutch Release Lever Assembly



Clutch Release Lever Assembly

Index			Index		
No.	Part No.	Description	No.	Part No.	Description
1.	12-100296-000	Tension Spring	45.	11-001024-001	Hex Head Cap Screw (8-32 x 9/16")
2.	12-100495-000	Clutch Actuator Lever	46.	12-100166-025	X-Washer Pin
3.	11-421092-000	Flanged Bronze Bearing	47.	11-345304-000	Roll Pin (3/16 x 1/2")
4.	12-100338-002	Spacer	48.	12-100304-000	Bearing
	12-100338-003	Spacer	49.	N.A.	Clutch Release Lever
5.	12-100105-000	Tension Spring (Pkg. Of 2)	50.	12-100166-004	X-Washer Pin
6.	12-100337-000	Out-of-Range Link Assembly	51.	11-125009-001	Hex Nut (5/16-18)
7.	12-100430-000	Pin	52.	12-100441-000	Special Hex Head Bolt
8.	12-100026-000	Link	53.	11-007085-001	Flat Allen Head Cap Screw
9.	11-170106-001	Hex Nut Flexlock (1/4-20)	54.	11-001265-001	Hex head Cap Screw (5/16-18 x 1-1/8")
10.	12-100030-005	Roller	55.	10-229451-000	O-Ring Pin
11.	12-100030-002	Roller	56.	11-345404-000	Roll Pin (1/4 x 1/2")
12.	12-100236-000	Starter Bellcrank Assembly	57.	12-100030-004	Roller
	12-102236-000	Starter Bellcrank Assembly	58.	11-190010-001	Flat Washer (1/4)
13.	12-100363-000	Link	59.	12-100030-003	Roller
	12-102363-000	Link	60.	11-196008-001	Hi-Collar Lockwasher (#10)
14.	12-100746-000	Clutch Latch	61.	12-100166-007	X-Washer Pin
	12-100747-000	Clutch Latch	62.	12-100167-000	Spring
15.	11-230001-001	X-Washer (1/8)	63.	12-100809-000	Mounting Plate
16.	12-100166-013	Pin		12-102830-000	Mounting Plate
17.	11-345312-000	Roll Pin (3/16 x 1")	64.	11-005120-001	Hex Head Socket Cap Screw (10-32 x 5/8")
	12-100166-005	X-Washer Pin	65.	10-386068-000	Spacer (1/4 x 3/8")
18.	12-100025-000	Clutch Actuator Link	66.	10-386069-000	Spacer (1/2 x 1-1/16")
19.	11-230000-001	X-Washer (3/32)	67.	11-125003-001	Hex Nut (#8-32)
20.	11-345302-001	Roll Pin (3/16 x 3/8")	68.	12-100166-017	X-Washer Pin
21.	11-190509-001	Flat Washer	69.	11-010094-001	Hex Head Slotted Machine Screw (10-32 x 3/8")
22.	11-625538-000	O-Ring	70.	11-010097-001	Hex Head Slotted Machine Screw (10-32 x 9/16")
23.	11-421096-000	Bearing (.502 I.D. X 1.128)	71.	11-190006-001	Flat Washer - SAE (#10)
24.	12-862867-000	Clutch Release Link	72.	11-604105-000	Cable Clamp (3/8 X .359)
25.	11-195014-001	Lockwasher (1/4)	73.	11-010062-001	Hex Head Slotted Cap Screw (8-32 x 5/8")
26.	12-100170-012	Washer	74.	12-102020-000	Cover
27.	12-100093-000	Plunger	75.	10-688003-000	Solenoid, Guardian Type, 208-230V, 60HZ
28.	12-100708-000	Clutch Release Lever Assembly	76.	10-688006-000	Solenoid, Deltro Type, 208-230V 60HZ
29.	12-100043-000	Tension Spring	77.	10-688009-000	Solenoid (115V)
	12-102043-000	Spring	78.	10-688003-003	Solenoid Plunger, Gaurdian Type
30.	12-100298-000	Spacer		10-688006-003	Solenoid Plunger, Deltro Type
31.	10-229453-000	O-Ring Pin	79.	N.A.	Link, tubular, order 12-862867-000
32.	11-420059-000	Bearing (.5025 I.D. X .629 O.D.)	80.	N.A.	Spring - See Note
33.	12-100437-000	Out-of-Range Lever Assembly	<i>N.A. = No Longer Available</i>		
34.	12-100050-000	Stop Collar	<i>NOTE: Please order the following:</i>		
35.	11-421011-000	Bearing (.502 I.D. X .627 O.D.)	<i>(1) 12-100903-000, (1) 12-100905-000,</i>		
36.	12-100703-000	Pin	<i>(1) 11-345310-001 and (1) 11-125200-001</i>		
37.	12-100903-000	Pin Detector Link			
38.	12-100905-000	Spring			
39.	11-125200-001	Hex Jam Nut (1/4-20)			
40.	11-345310-001	Roll Pin (3/16 x 7/8")			
41.	12-100047-000	Tension Spring			
42.	11-195010-001	Lockwasher (#10)			
43.	11-195015-001	Lockwasher (5/16)			
44.	12-150158-012	X-Washer Pin			
	12-100166-019	X-Washer Pin			

Clutch Release Lever Assembly

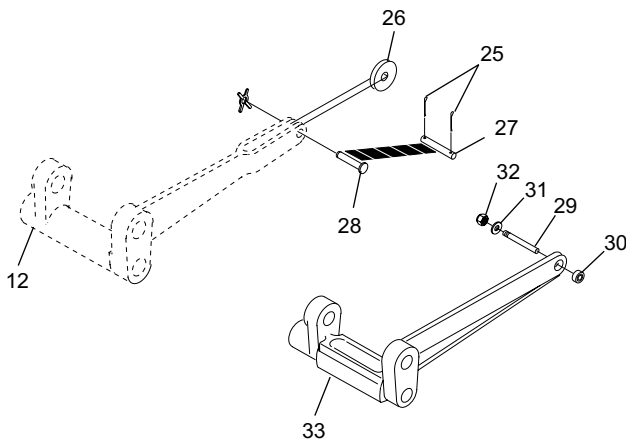
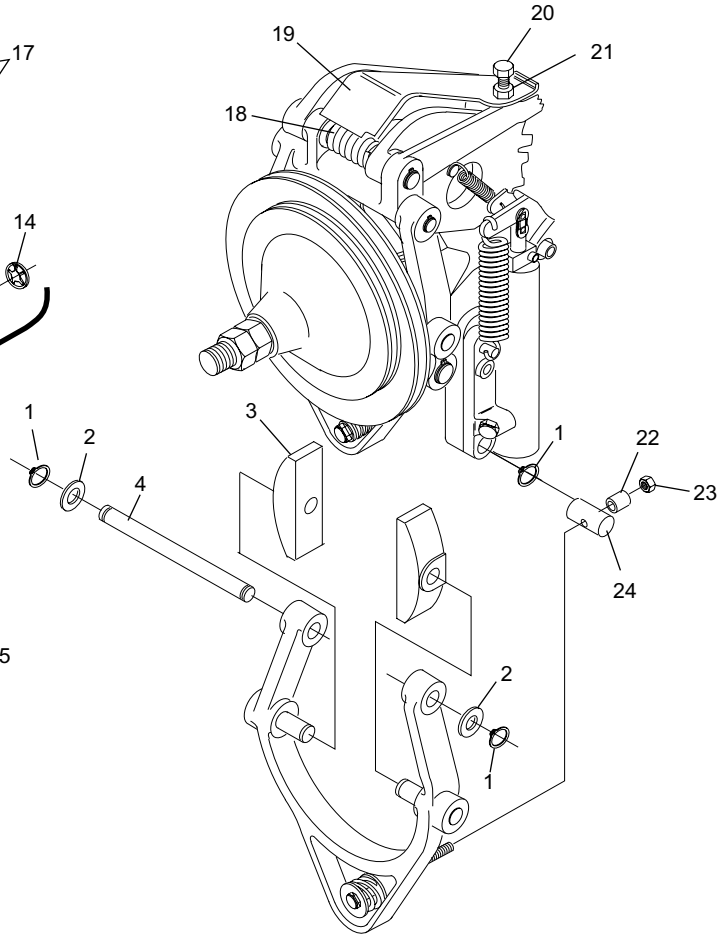
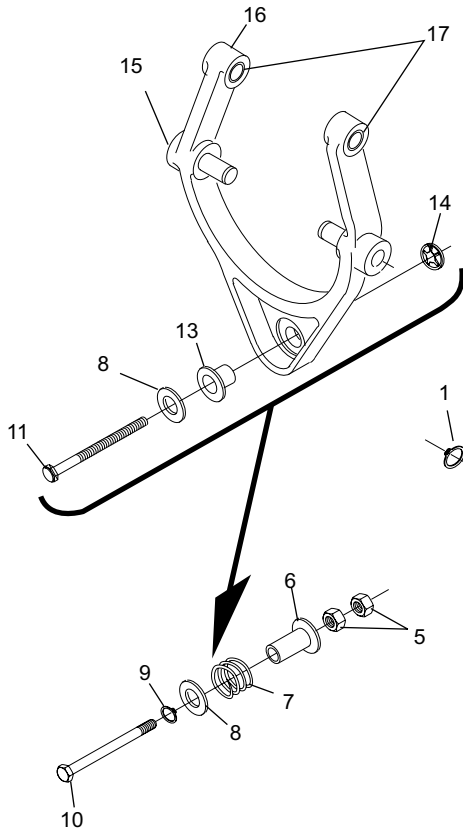
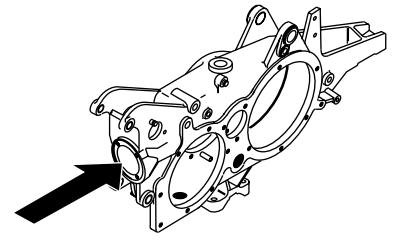


Clutch Release Lever Assembly

Index

No.	Part No.	Description
1.	11-530015-000	External Retaining Ring
2.	11-190016-001	Flat Washer (7/16)
3.	12-100146-000	Clutch Shoe
4.	12-100168-003	Pin
5.	11-125201-001	Hex Jam Nut (1/4-28)
6.	12-100092-000	Spring Guide
7.	12-100091-000	Compression Spring
8.	12-100170-012	Washer
	11-190018-001	Flat Washer (1/2)
9.	11-530017-001	External Retaining Ring
10.	12-100257-000	Hex Head Socket Cap Screw (2 1/2" slotted)
11.	12-102180-000	Special Hex Head Socket Cap Screw (1/4-28 x 4)
12.	N.A.	Clutch Lever Assembly
13.	12-102179-000	Bushing
14.	11-532022-000	Grip Ring
15.	12-100447-000	Groove Pin
16.	12-100370-000	Yoke & Bearing Assembly
17.	11-420008-000	Sleeve Oilite Bearing
18.	12-102178-000	Spring
19.	12-862138-000	Clutch Lever Support Kit
20.	11-010139-001	Hex Head Slotted Machine Screw (1/4-20 x 1-1/4")
21.	11-125007-001	Hex Nut (1/4-20)
22.	12-100185-014	Spacer
23.	11-125101-001	Hex Nut (1/4-28)
24.	12-100053-000	Pin
25.	11-335053-001	Cotter Pin (1/16 x 1/2")
26.	11-433000-000	Ball Bearing
27.	12-100061-002	Pin
28.	12-100318-002	X-Washer Pin
29.	12-100487-000	Pin
30.	11-435501-000	Ball Bearing
31.	11-190004-001	Flat Washer (#8)
32.	11-170004-000	Locknut
33.	12-100486-000	Clutch Lever Assembly

N.A.= No Longer Available

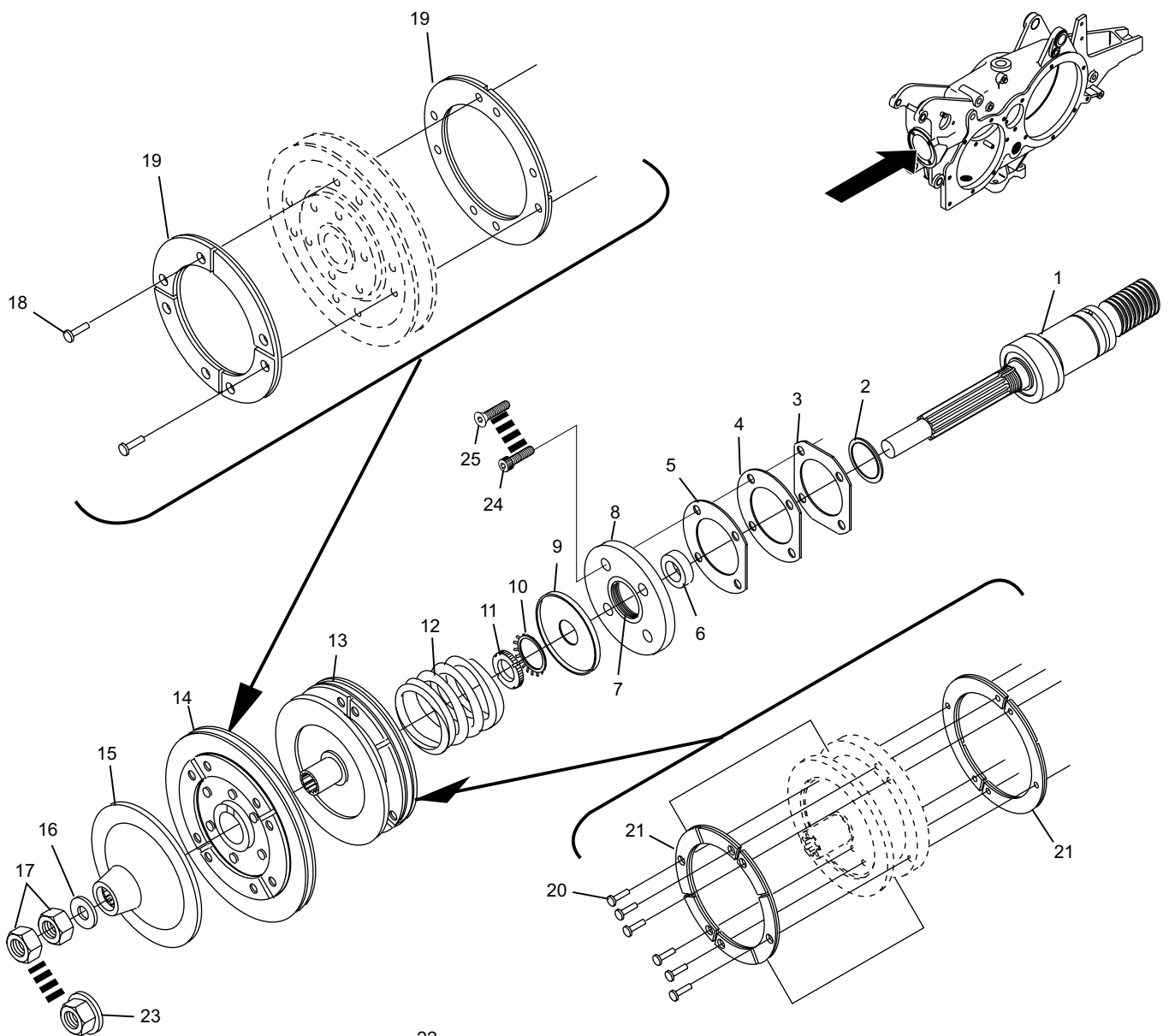


Gear Box Assembly

Index

No.	Part No.	Description
1.	12-860171-000	60:1 Worm Shaft
	12-860722-000	27:1 Worm Shaft (1 Pkg.)
2.	11-625501-000	O-Ring
3.	12-100391-000	Gear Box Housing Gasket
4.	12-100381-002	Shim (.005")
5.	12-100381-003	Shim (0.010")
6.	12-100185-003	Spacer
7.	11-625000-000	Oil Seal
8.	12-100477-000	Bearing Retainer
9.	12-100058-000	Spring Disc
10.	11-231005-001	AFBMA Standard Lockwasher
11.	11-160005-001	AFBMA Standard Locknut
12.	12-100090-000	Compression Spring
13.	12-860613-000	Clutch Drive Disc
14.	12-860717-000	Clutch Pulley Assembly
	12-860716-000	Clutch Bearing Assembly
	12-860630-000	Clutch Pulley Assembly
15.	12-860626-000	Clutch Drive Disc
	11-350456-001	Drive Pin (1/4 x 7/8")
16.	10-191562-000	Washer (25/32)
17.	11-125115-001	Hex Nut (3/4-16)
18.	11-301003-001	Rivet
19.	12-862864-603	Advanced Performance Duty Clutch Face Kit
	12-862864-003	Clutch Face Kit
20.	11-301002-001	Rivet (3/16-1/2")
	11-301001-001	Rivet (3/16-3/8")
21.	12-862864-605	Advanced Performance Clutch Face Disc
	12-862864-005	Clutch Face Kit
	12-862864-004	Clutch Face Kit
22.	12-860603-000	Worm Shaft Oil Leak Repair Kit
23.	11-131516-000	Flange Nut (3/4-16)
24.	11-005263-001	Hex Head Socket Cap Screw (5/16-18 x 7/8")
25.	11-007264-001	Flat Head Socket Cap Screw (5/16-18 x 1")

Gear Box Drive Disc Clutch Face



Oil Leak Repair Kit
Not Illustrated

Gear Box Drive Disc Clutch Face

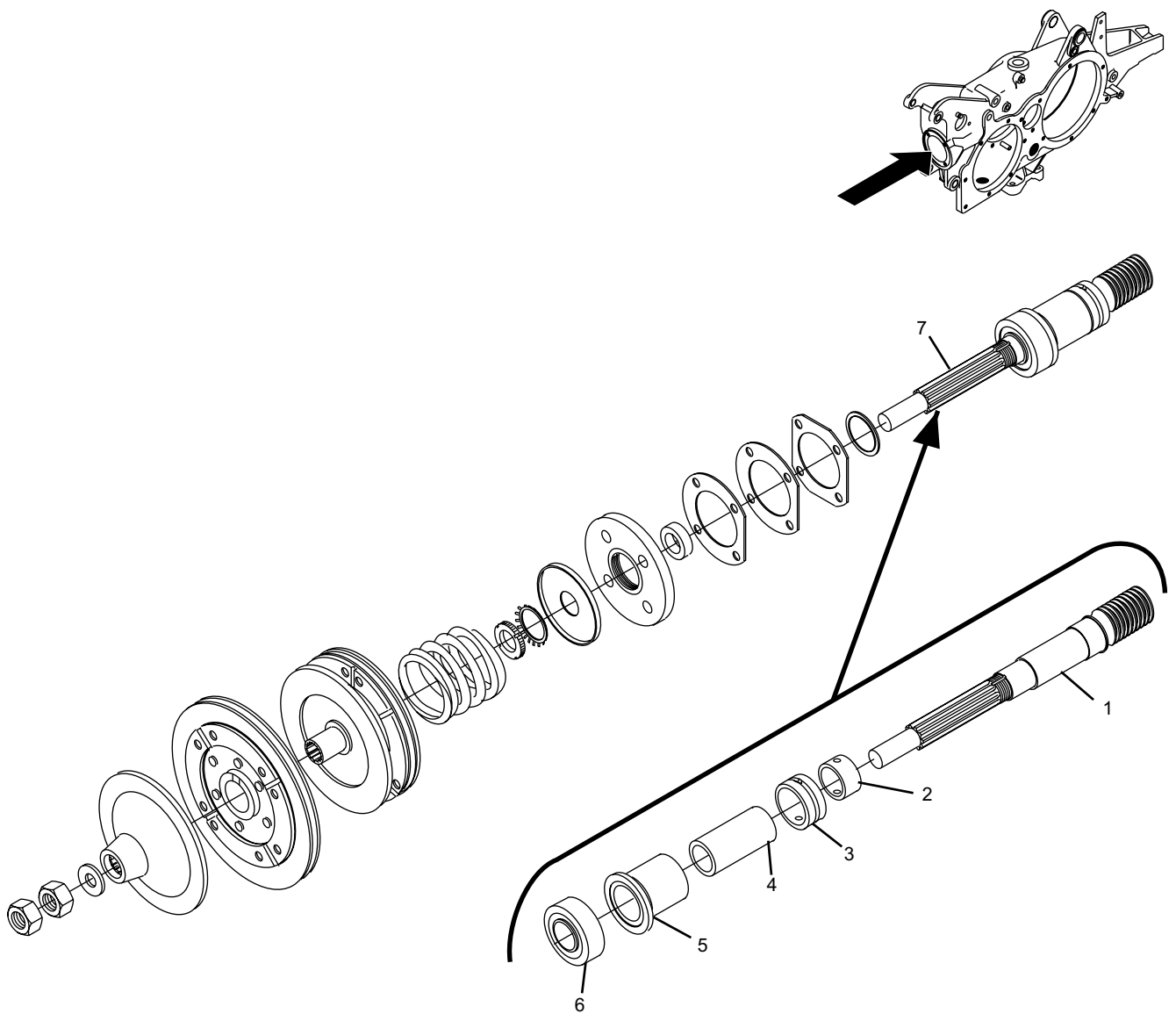
Index

No.	Part No.	Description
1.	12-860171-000	60:1 Worm Shaft
	12-860722-000	27:1 Worm Shaft (1 Pkg.)
2.	11-450200-000	Ball Bearing
3.	11-450100-000	Ball Ring & Roller Bearing
4.	12-100185-002	Spacer
5.	12-100066-000	Spacer
6.	11-432002-000	Ball Bearing
7.	12-860172-000	60:1 Worm Shaft Assembly
8.	12-862861-000	Gear Box Input Rebuilt Kit, See Note

NOTE: *Gear Box Input Rebuilt Kit includes:*

12-100146-000 Clutch Shoe (2)
12-100168-002 Pin (1)
12-100168-003 Pin (1)
12-860626-000 Clutch Drive Disc (1)
12-860613-000 Clutch Drive Disc (1)
12-100257-000 Hex Head Socket Cap Screw (1)
11-530015-000 External Retaining Ring (2)
11-190016-001 Flat Washer (7/16") (2)
12-860717-000 Clutch Pulley Assembly (1)
12-860172-000 60:1 Worm Shaft Assembly (1)
11-125201-001 Nut, Hex Jam (2)

Worm Shaft



8

Rebuild Kit
Not Illustrated

Worm Shaft

Index

No.	Part No.	Description
1.	12-860171-000	60:1 Worm Shaft, Assembly shown in 12-860172-000
	12-860722-000	27:1 Worm Shaft (1 Pkg.)
2.	11-625501-000	O-Ring
3.	12-100391-000	Gear Box Housing Gasket
4.	12-100381-002	Shim (.005")
5.	12-100381-003	Shim (0.010")
6.	12-100185-003	Spacer
7.	11-625000-000	Oil Seal
8.	12-100477-000	Bearing Retainer
9.	12-100058-000	Spring Disc
10.	11-231005-001	AFBMA Standard Lockwasher
11.	11-160005-001	AFBMA Standard Locknut
12.	12-100090-000	Compression Spring
13.	12-860613-000	Clutch Drive Disc
14.	12-860717-000	Clutch Pulley Assembly
	12-860716-000	Clutch Bearing Assembly
15.	12-860626-000	Clutch Drive Disc
	11-350456-001	Drive Pin (1/4 x 7/8")
16.	10-191562-000	Washer (25/32)
17.	11-121519-001	Hex Nut
	11-131516-000	Flange Nut (3/4-16)
18.	12-100890-000	Spacer
19.	12-100892-000	Clutch Bearing Assembly
20.	12-100891-000	Bearing Retainer
21.	12-860630-000	Clutch Pulley Assembly
22.	N.A.	Clutch Bearing Assembly, See Note
23.	11-170104-001	Flexlock Hex Nut (#10-24)
24.	11-007090-001	Flat Head Socket Cap Screw (10-24 x 5/8")

N.A. = No Longer Available

NOTE: *Bearing Assembly for Clutch Pulley, includes:*

12-100892-000 Clutch Bearing Assembly

12-100423-000 Clutch Bearing Sleeve

12-100890-000 Spacer

12-100891-000 Retainer

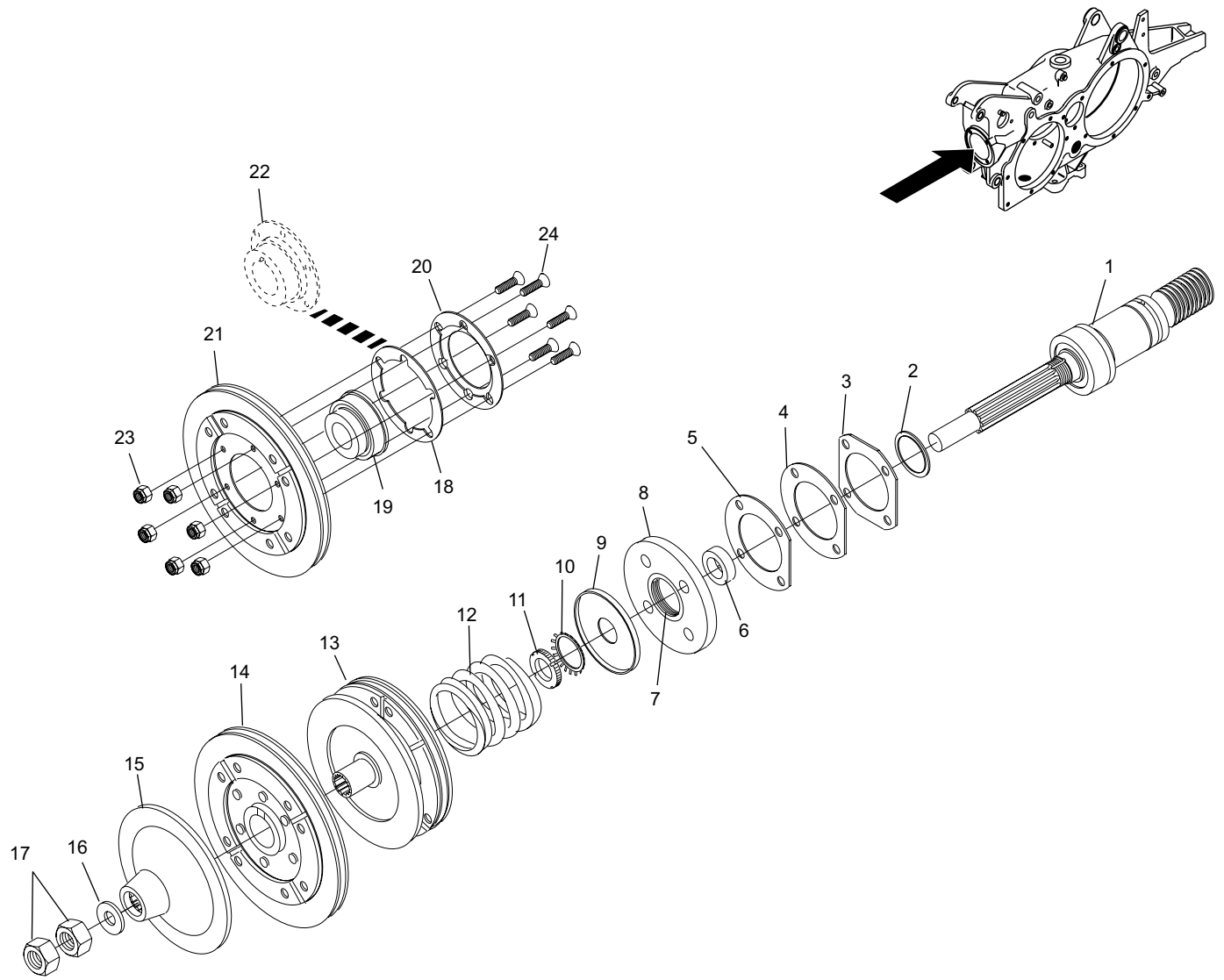
11-008302-001 Nylock

12-100909-000 Bearing Housing

12-100910-000 Wave Spring

12-860630-000 Clutch Pulley and Facing Only

Worm Shaft



Worm Shaft

Index

No.	Part No.	Description
1.	11-625501-000	O-Ring
2.	11-432002-000	Ball Bearing
3.	12-100066-000	Spacer
4.	12-100185-002	Spacer
5.	11-450100-000	Ball Ring & Roller Bearing
6.	11-450200-000	Ball Bearing
7.	12-860719-000	27:1 Worm Shaft
8.	N.A.	27:1 Worm & Worm Gear Conversion Kit
9.	12-860722-000	27:1 Worm Shaft (1 Pkg.)
10.	11-101164-001	Set Screw (1/4-20 x 1/2")
11.	12-403081-000	Motor Pulley Assembly
12.	10-635320-000	V-Belt (Motor to Gear Box)
	10-635321-000	V-Belt (Motor to Gear Box)
13.	12-100902-002	Worm Gear (27:1)
14.	12-100187-002	Square Key
15.	N.A.	27:1 Worm & Worm Gear Conversion Kit, A & Jet Back
16.	12-100341-000	Rake Crank Housing Gasket
	12-102166-002	Shim (.005), blue
	12-102166-003	Shim (.010), brown
	12-102166-004	Shim (.020), yellow
17.	12-100187-011	Square Key
18.	12-100317-000	O-Ring

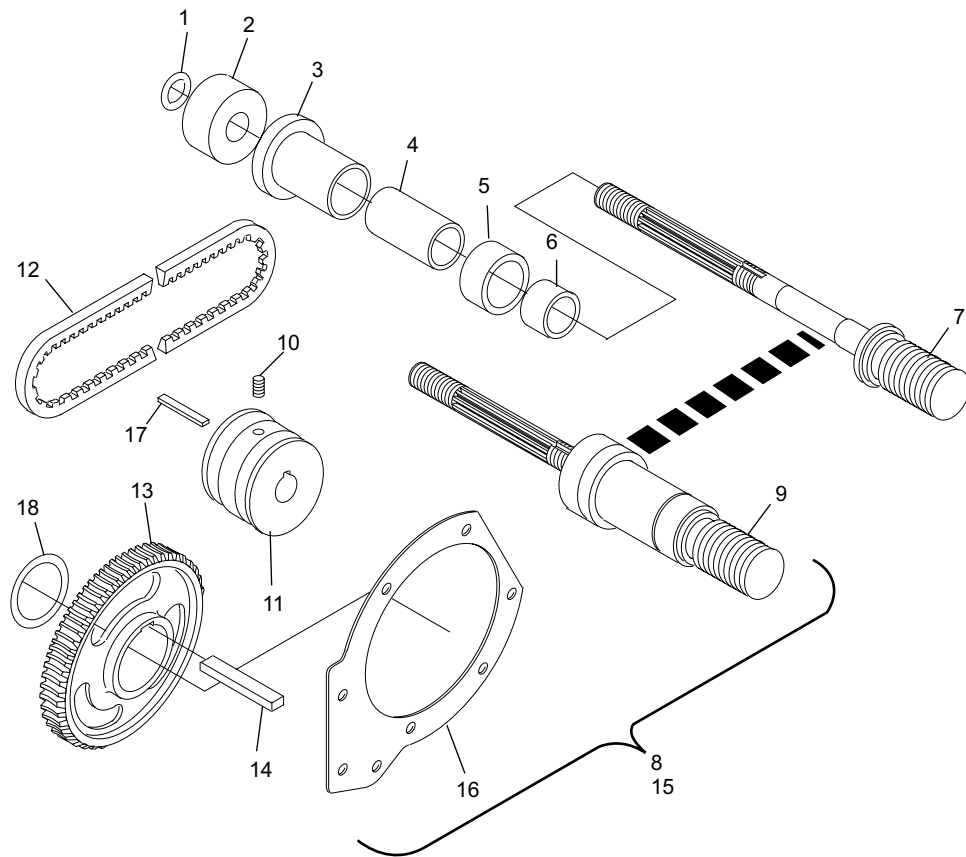
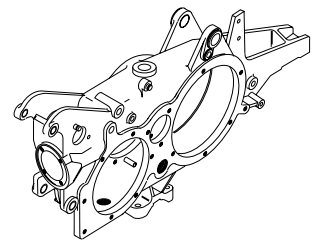
N.A. = No Longer Available

NOTE: The 27:1 Component parts are NOT interchangeable with original 60:1 worm gear assemblies.

Check Gear Box for 27:1 identification tag.

Motor Belt & Pulley must be changed with conversion.

Worm Shaft



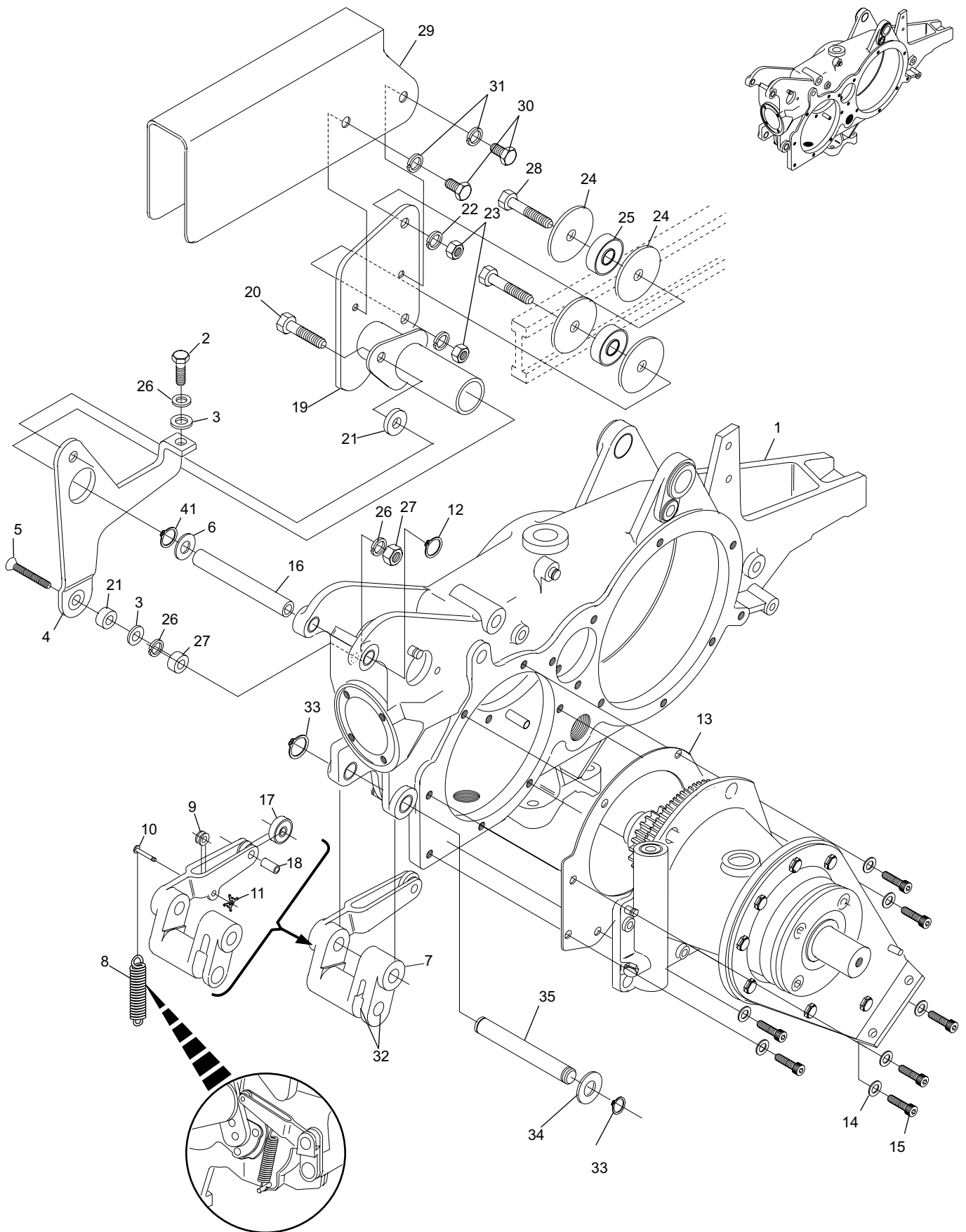
Worm Shaft

Index

No.	Part No.	Description
1.	N.A.	Gear Box Core Only (see page 22A for breakdown)
2.	11-001342-001	Hex Head Cap Screw (3/8-16 x 3/4")
3.	11-190014-001	Flat Washer (3/8)
4.	12-102212-000	Plate
5.	11-007348-001	Flat Head Socket Cap Screw (3/8-16 x 1-1/2")
6.	11-190018-001	Flat Washer (1/2)
7.	12-100250-000	Clutch Cam Lever Assembly
8.	12-100158-000	Tension Spring
9.	10-376010-000	Spring Roller
10.	12-100166-022	X-Washer Pin
11.	11-230000-001	X-Washer (3/32)
12.	11-530017-001	External Retaining Ring
13.	12-100341-000	Rake Crank Housing Gasket
14.	N.A.	Copper Gasket
15.	11-005266-001	Hex Head Socket Cap Screw (5/16-18 x 1-1/4")
16.	12-100168-002	Pin
17.	11-435001-000	Ball Bearing
18.	12-100074-000	Bearing Shaft
19.	12-102819-000	Bearing Support Assembly
20.	11-001347-001	Hex Head Cap Screw (3/8-16 x 1-3/8")
21.	10-386095-000	Spacer (13/32 x 3/8")
22.	11-195017-001	Lockwasher (7/16)
23.	11-125107-001	Hex Nut (7/16-20)
24.	12-102789-000	Spacer
25.	11-450304-000	Cam Bearing (.4377 I.D. X 1.500 O.D.)
26.	11-195016-001	Lockwasher (3/8)
27.	11-125104-001	Hex Nut (3/8-16)
28.	11-005474-001	Hex Head Socket Cap Screw (7/16-20 x 2-1/2")
29.	12-102821-000	Guard
30.	11-010132-001	Hex Head Slotted Machine Screw (1/4-20 x 1/2")
31.	11-195014-001	Lockwasher (1/4)
32.	11-420019-000	Sleeve Oilite Bearing (.627 I.D. X .753 O.D.)
33.	11-530021-001	External Retaining Ring
34.	12-100170-007	Washer
35.	12-100168-004	Pin

N.A. = No Longer Available

Gear Box Assembly

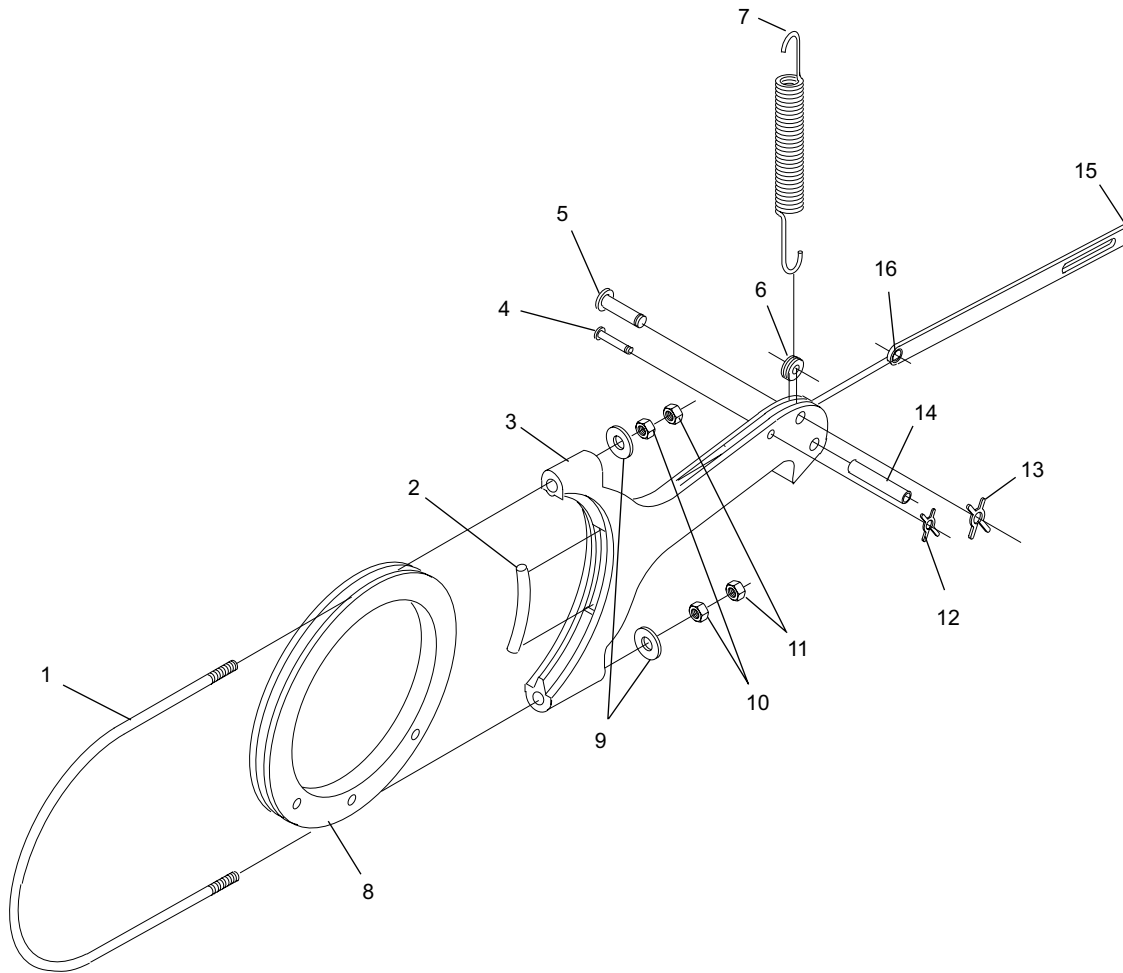
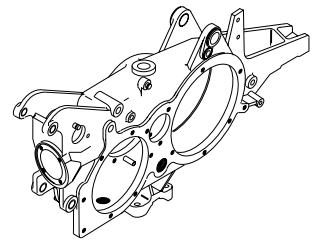


Gear Box Assembly

Index

No.	Part No.	Description
1.	12-100282-000	Deck Hook U-Bolt
2.	12-100480-000	Key
3.	12-100832-000	Deck Lift Hook
4.	12-100166-022	X-Washer Pin
5.	12-100166-027	Pin (.2495 x .820)
6.	10-376010-000	Spring Roller
7.	12-100107-000	Spring
8.	12-100283-000	Eccentric
9.	11-190012-001	Flat Washer - SAE (5/16)
10.	11-125103-001	Hex Nut (5/16-24)
11.	11-125203-001	Hex Jam Nut (5/16-24)
12.	11-230000-001	X-Washer (3/32)
13.	11-230001-001	X-Washer (1/8)
14.	11-360619-000	Spiral Pin (5/16 x 1-5/8")
15.	12-100357-000	Connecting Link
16.	N.A.	Bearing, order 12-100357-000

N.A. = No Longer Available



Deck Lift Hook Assembly

Index

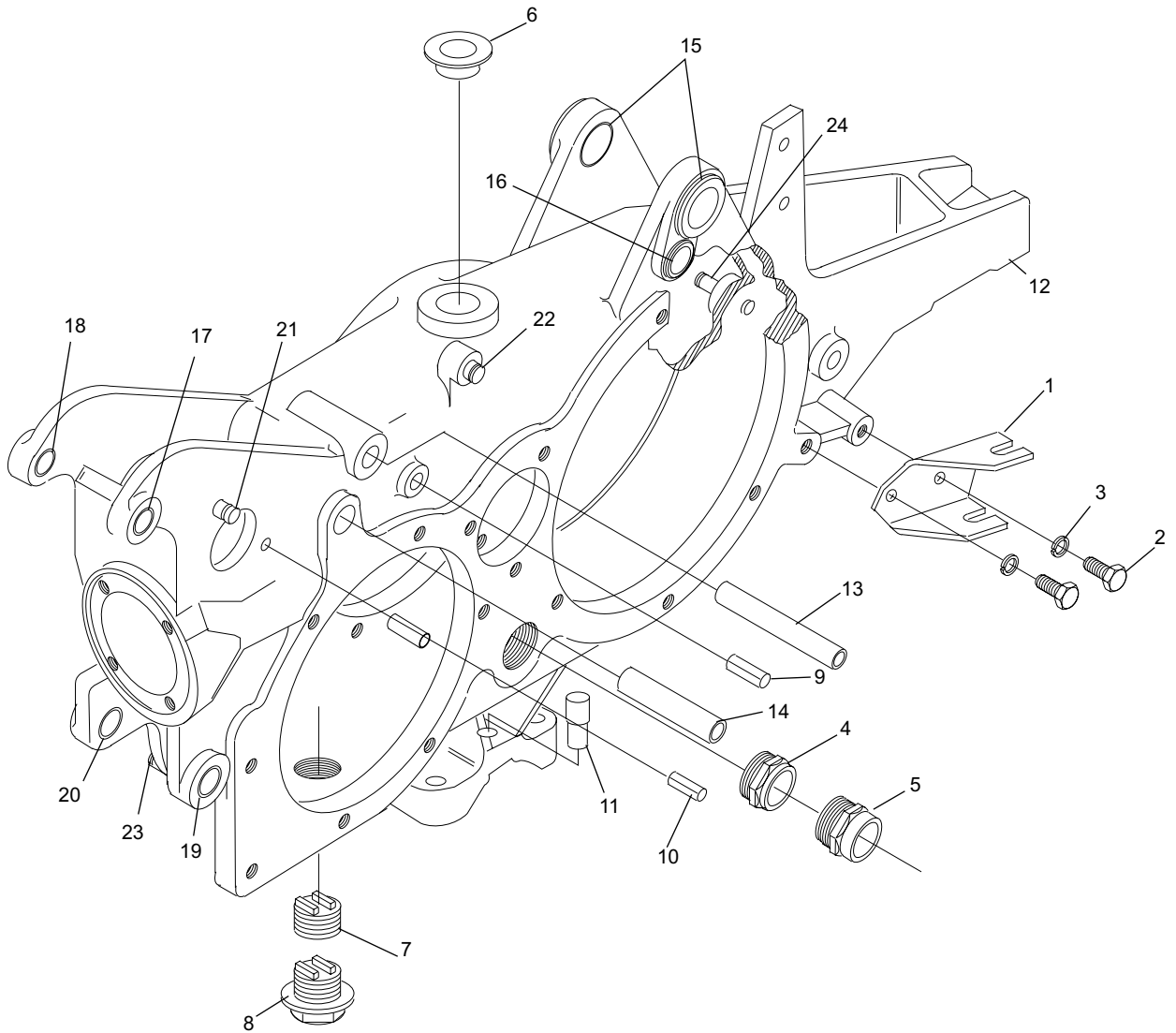
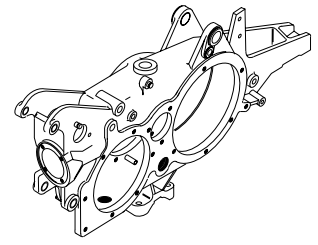
No.	Part No.	Description
1.	12-100048-000	Bracket
2.	11-001182-001	Hex Head Cap Screw (1/4-20 x 3/4")
3.	11-195014-001	Lockwasher (1/4)
4.	11-590102-000	Oil Gauge-Plug Type
5.	12-100459-000	Sight Gauge
6.	12-100901-000	Oil Hole Cover
7.	12-100359-000	Magnetic Plug
8.	11-030505-000	Magnetic Plug (3/4-14 x .815)
9.	11-345463-000	Roll Pin - (.312 X 1-1/8"), See Note 1
10.	11-345412-000	Roll Pin (1/4 x 1")
11.	12-100308-000	Locating Pin
12.	N.A.	Gear Box Housing Assembly, See Note 1
	12-102184-000	Gear Box Housing Assembly, See Note 2
13.	12-200049-004	Stud, See Note 1
	12-102750-000	Stud, See Note 2
14.	12-200049-003	Stud
15.	11-421108-000	Bearing (.815 I.D. X 1.002 O.D.)
16.	11-421015-000	Flanged Oilite Bearing
17.	11-420015-000	Sleeve Oilite Bearing
18.	11-420011-000	Sleeve Oilite Bearing
19.	12-100139-003	Plain Bearing
20.	11-420020-000	Bearing (.627 I.D. X .753 O.D.)
21.	11-353207-000	Drive Pin (5/16 x 1")
22.	12-100169-006	Post
	11-353205-000	Drive Pin (5/16 x 3/4")
23.	N.A.	Spring Post, for machines S/N prior to 90135
	10-353001-000	Pin
24.	N.A.	Spring Post, for machines S/N prior to 90135
	11-353208-001	Drive Pin (5/16 x 1-1/4")

N.A. = No Longer Available

NOTE 1: For machines S/N prior to 90135. Order 11-420015-000, for machines S/N 90135 and up.

NOTE 2: For machines S/N 90135 and up. Order 12-100169-006, for machines S/N prior to 90135.

Gear Box Housing Assembly

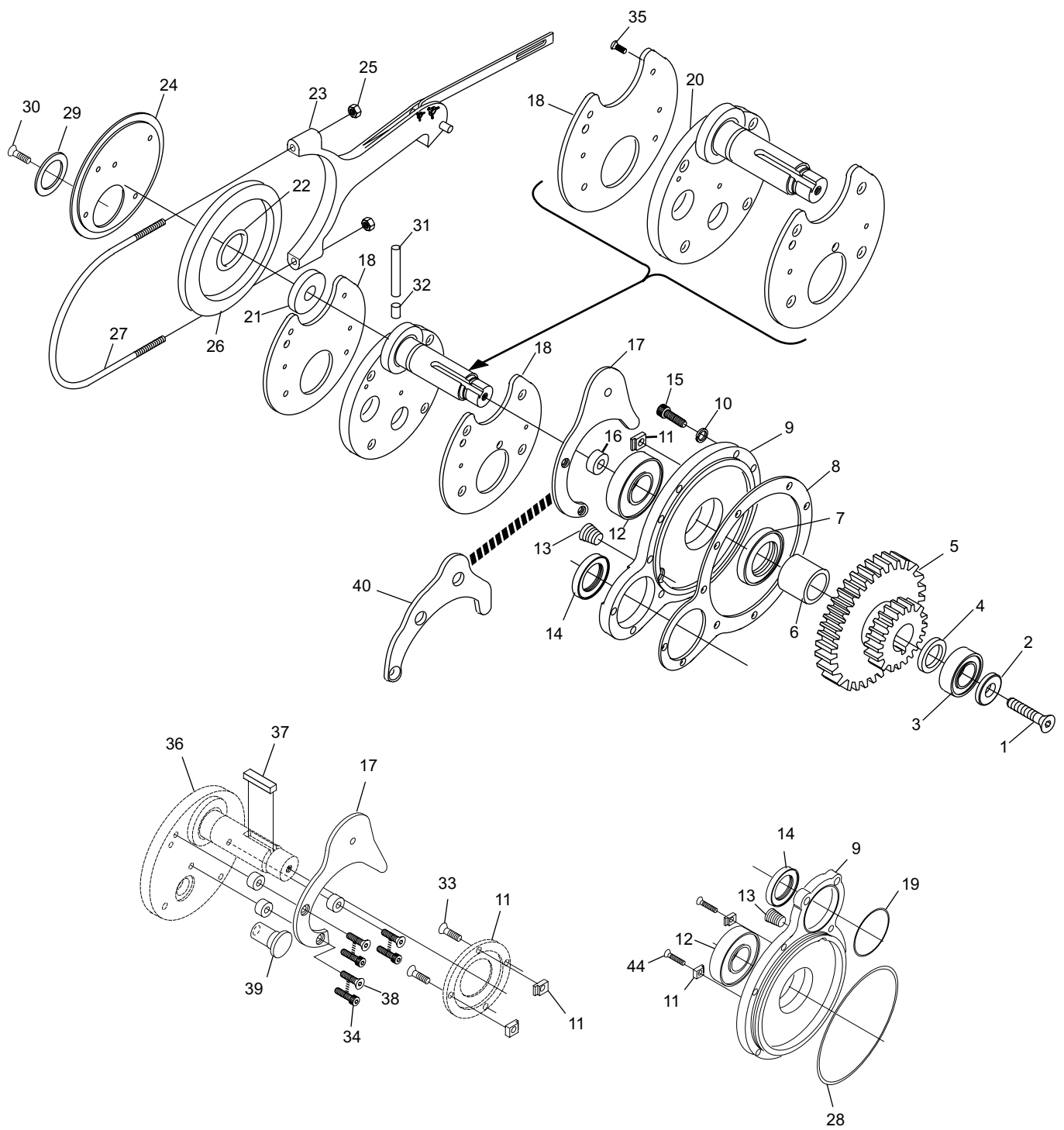
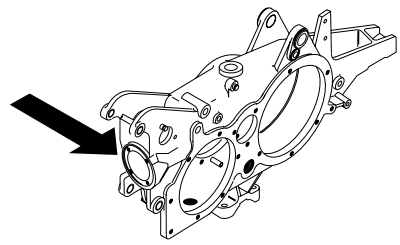


Gear Box Housing Assembly

Index No.	Part No.	Description
1.	11-007344-001	Flat Head Socket Cap Screw (3/8-16 x 1")
2.	12-100065-002	Washer
3.	11-430003-000	Ball Bearing
4.	12-100185-005	Spacer
5.	12-100150-000	Gear
6.	12-100185-006	Spacer
7.	11-625003-000	Oil Seal
8.	12-100340-000	R.H Gear Box Cover Gasket
9.	12-100177-000	Gear Box Cover
10.	12-100344-002	Gasket
11.	12-100431-000	Retaining Bearing
12.	11-430017-000	Ball Bearing
13.	11-030004-001	Pipe Plug (1/2-14 x .582 Max.)
14.	11-625001-000	Oil Seal
	11-625005-000	Oil Seal
15.	11-005263-001	Hex Head Socket Cap Screw (5/16-18 x 7/8")
16.	12-100896-000	Spacer
17.	12-100387-000	Deck Lift Hook Cam, for machines prior to 90,000
18.	12-100898-000	Cover
19.	11-625529-000	O-Ring
20.	12-862185-000	Deck Lift Crank
21.	12-100458-000	Felt Pad
22.	12-100290-000	O-Ring
23.	12-100832-000	Deck Lift Hook
24.	12-100830-000	Clamp Ring
25.	11-125203-001	Hex Jam Nut (5/16-24")
26.	12-100283-000	Eccentric
27.	12-100282-000	Deck Hook U-Bolt
28.	11-625530-000	O-Ring
29.	12-100185-009	Spacer
30.	11-007182-001	Flat Head Socket Cap Screw (1/4-20 x 3/4")
31.	12-100457-000	Felt Wick
32.	N.A.	Felt Wick
33.	11-007264-001	Flat Head Socket Cap Screw (5/16-18 x 1")
34.	11-005182-001	Hex Head Socket Cap Screw (1/4-20 x 3/4")
35.	11-007061-001	Flat Head Hex Socket Cap Screw (8-32 x 3/8")
36.	N.A.	Deck Lift Eccentric
37.	12-100187-005	Square Key
38.	11-007184-001	Flat Head Socket Cap Screw (1/4-20 x 1")
39.	12-100220-000	Pin
40.	12-100831-000	Deck Lift Hook Cam, for machines 90,000 and up

N.A. = No Longer Available

**Deck Lift Crank Assembly
For "A", "A" Converted to A-2 and A-2 w/o Scotch Yoke**



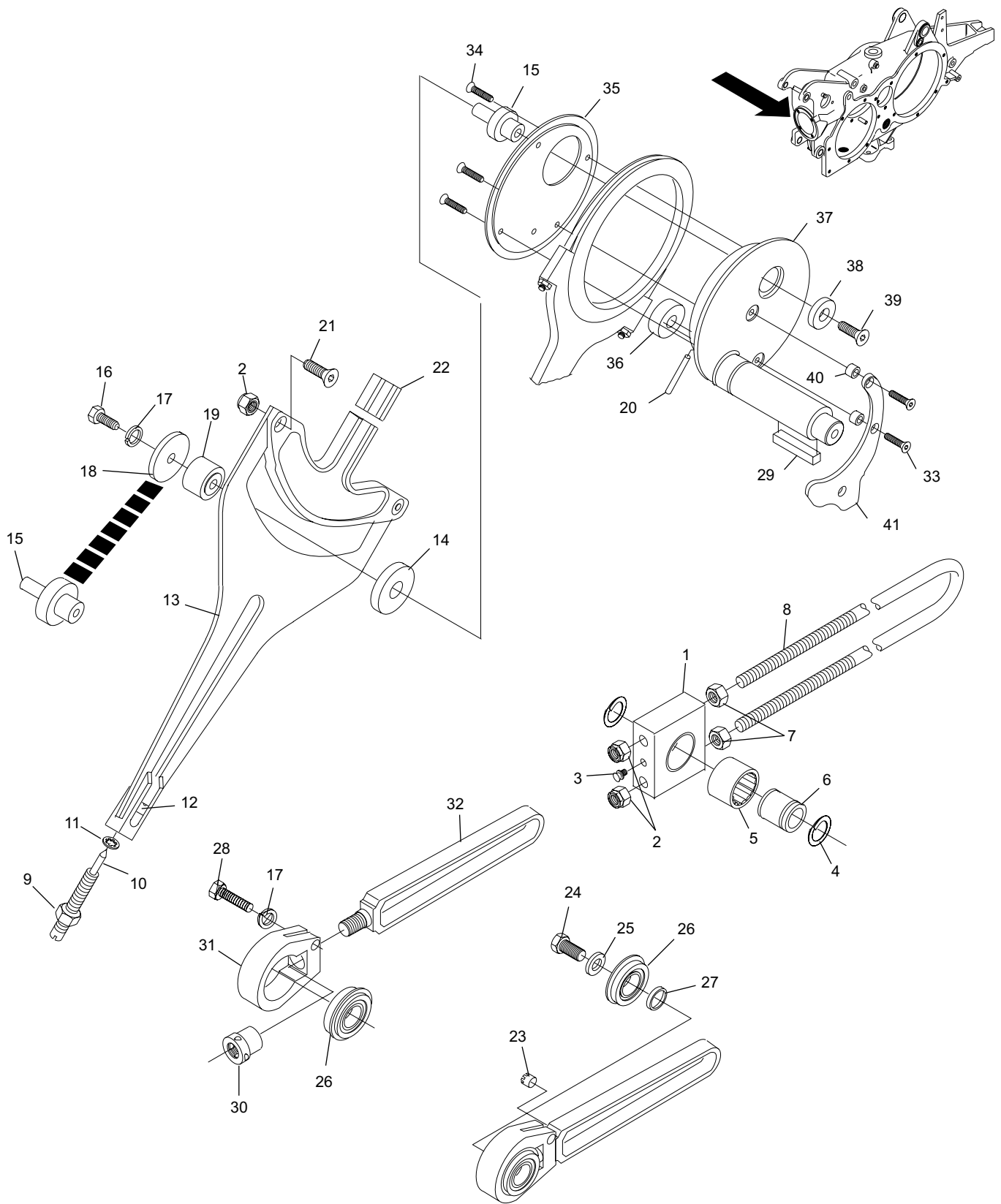
Deck Lift Crank Assembly
For "A", "A" Converted to A-2 and A-2 w/o Scotch Yoke

Index

No.	Part No.	Description
1.	12-100507-000	Bearing Block
2.	11-170011-001	Hex Nut Nylock (3/8-16)
3.	11-280002-000	Grease Fitting Drive
4.	11-533028-000	Spirolox Retaining Ring (1.198 I.D.)
5.	11-481030-000	Roller Bearing (1 1/4 I.D. X 1 5/8 O.D.)
6.	12-100504-000	Inner Ring
7.	11-125104-001	Hex Nut (3/8-16)
8.	12-100506-000	U-Bolt
9.	11-125208-001	Hex Jam Nut (1/2-13)
10.	12-102792-000	Stud
11.	11-532003-001	External Retaining Ring
12.	12-102791-000	Block
13.	12-102816-000	Plate Assembly
14.	10-385529-000	Spacer- Chamfered (13/16 I.D. x 3")
15.	12-102754-000	Bearing Stud
16.	11-001384-001	Hex Head Socket Cap Screw (3/8-24 x 1")
17.	11-195016-001	Lockwasher (3/8)
18.	12-102753-000	Spacer
19.	11-450101-000	Ball Ring & Roller Bearing
20.	12-100457-000	Felt Wick
21.	11-007346-001	Flat Head Socket Cap Screw (3/8-16 x 1-1/4")
22.	12-102815-000	T-Track
23.	N.A.	Oiler (Order 1 ea. 12-100458-000 & 1 ea. 12-100457-000)
24.	11-002365-001	Hex Head Cap Screw (5/8-11 x 1-1/4")
25.	12-100170-003	Washer
26.	11-430008-000	Ball Bearing
27.	12-100046-004	Roller
28.	11-002125-001	Hex Head Socket Cap Screw (3/8-16 x 1-1/4")
29.	12-100187-005	Square Key
30.	12-100216-000	Deck Link Adjusting Sleeve
31.	N.A.	Deck Link Connector
32.	N.A.	Deck Lowering Link
33.	11-007184-001	Flat Head Socket Cap Screw (1/4-20 x 1")
34.	11-007182-001	Flat Head Socket Cap Screw (1/4-20 x 3/4")
35.	12-100830-000	Clamp Ring
36.	12-100458-000	Felt Pad
37.	12-862185-000	Deck Lift Crank
38.	10-193013-000	Washer
39.	11-007384-001	Flat Head Socket Cap Screw (3/8-24 x 1")
40.	12-100896-000	Spacer
41.	12-100831-000	Deck Lift Hook Cam, for A2 machines 90,000 and up
	12-100837-000	Deck Lift Hook Cam, for A machines prior to 90,000

N.A. = No Longer Available

**Deck Lift Eccentric Assembly
For A-2 w/Scotch Yoke Only**

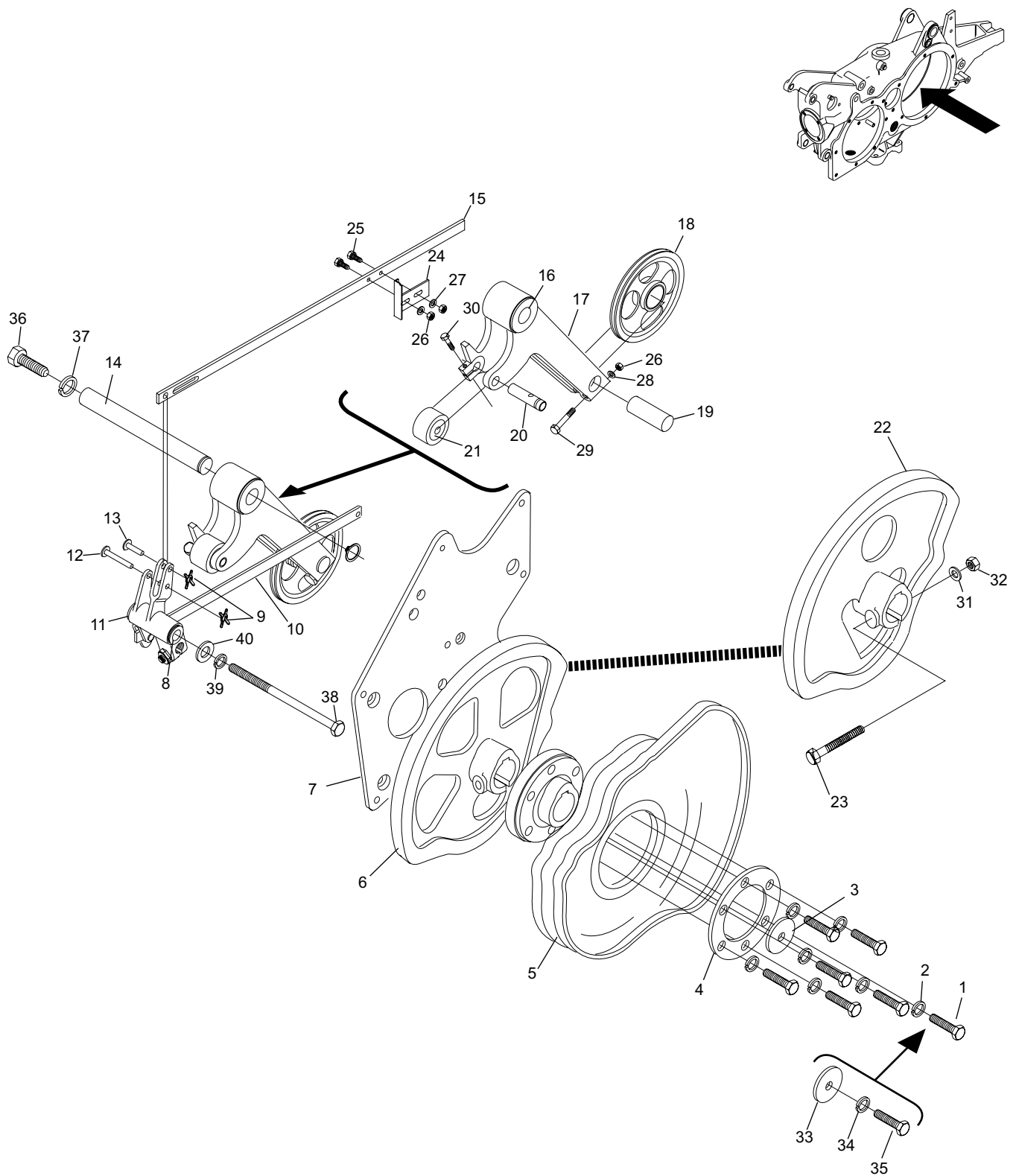


**Deck Lift Eccentric Assembly
 For A-2 w/Scotch Yoke Only**

Index

No.	Part No.	Description
1.	11-001344-001	Hex Head Cap Screw (3/8-16 x 1")
2.	11-195016-001	Lockwasher (3/8)
3.	12-100170-006	Washer
4.	12-100044-000	Ring
5.	12-860578-000	Rake Cam Conversion Kit, for machines with Scotch Yoke
6.	12-102794-000	Scissor & Moving Deck Cam
7.	12-100207-000	Mounting Plate
8.	11-421011-000	Bearing (.502 I.D. X .627 O.D.)
	11-421092-000	Flanged Bronze Bearing
9.	11-230000-001	X-Washer (3/32)
10.	12-100363-000	Link
	12-102363-000	Link
11.	12-100236-000	Starter Bellcrank Assembly
	12-102236-000	Starter Bellcrank Assembly
12.	12-100166-019	X-Washer Pin
	12-150158-012	X-Washer Pin
13.	12-100166-005	X-Washer Pin
14.	12-100104-000	Shaft
15.	12-100040-004	Link
16.	11-421109-000	Flanged Oilite Bearing
17.	12-100313-000	Moving Deck Cam Lever
18.	12-100081-000	Pulley Assembly
19.	12-100226-000	Pin
20.	12-100306-000	Pin Assembly
21.	11-450301-000	Ball Bearing
22.	12-100828-002	Scissor & Moving Deck Cam, for machines equipped with link 12-100217-000
23.	11-001517-001	Hex Head Socket Cap Screw (1/2-13 x 3-1/4")
24.	12-100260-000	Actuator
25.	11-017163-001	Round Head Cross Res. W/ Ext. Tooth Lockwasher (10-24 x 1/2")
26.	11-125004-001	Hex Nut (#10-24)
27.	11-190006-001	Flat Washer - SAE (#10)
28.	11-195010-001	Lockwasher (#10)
29.	11-001070-001	Hex Head Socket Cap Screw (10-24 x 1-3/4")
30.	11-001068-001	Hex Head Cap Screw (10-24 x 1-1/2")
31.	11-195018-001	Lockwasher (1/2)
32.	11-125108-001	Hex Nut (1/2-13)
33.	12-100170-015	Washer
34.	11-195020-001	Lockwasher (5/8)
35.	11-001664-001	Hex Head Socket Cap Screw
36.	11-001266-001	Hex Head Cap Screw (5/16-18 x 1-1/4")
37.	11-195015-001	Lockwasher (5/16)
38.	12-100441-000	Special Hex Head Bolt
39.	11-195014-001	Lockwasher (1/4)
40.	12-100170-012	Washer

Gear Box Assembly



Gear Box Assembly

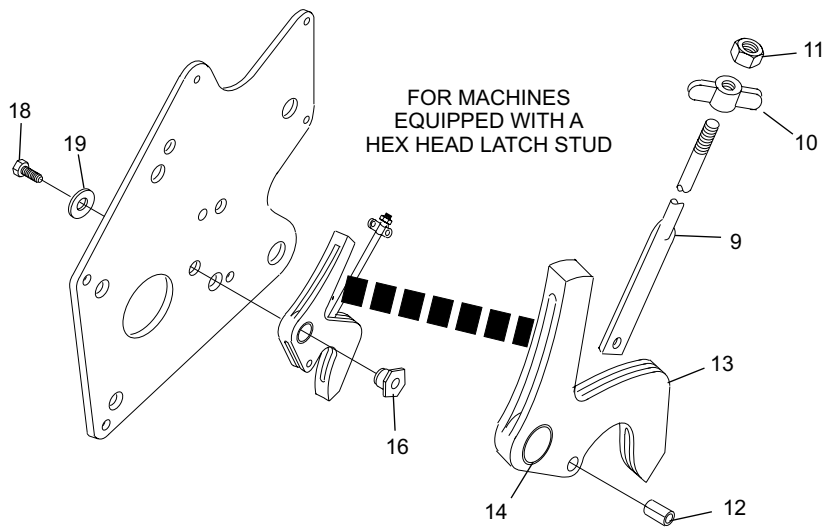
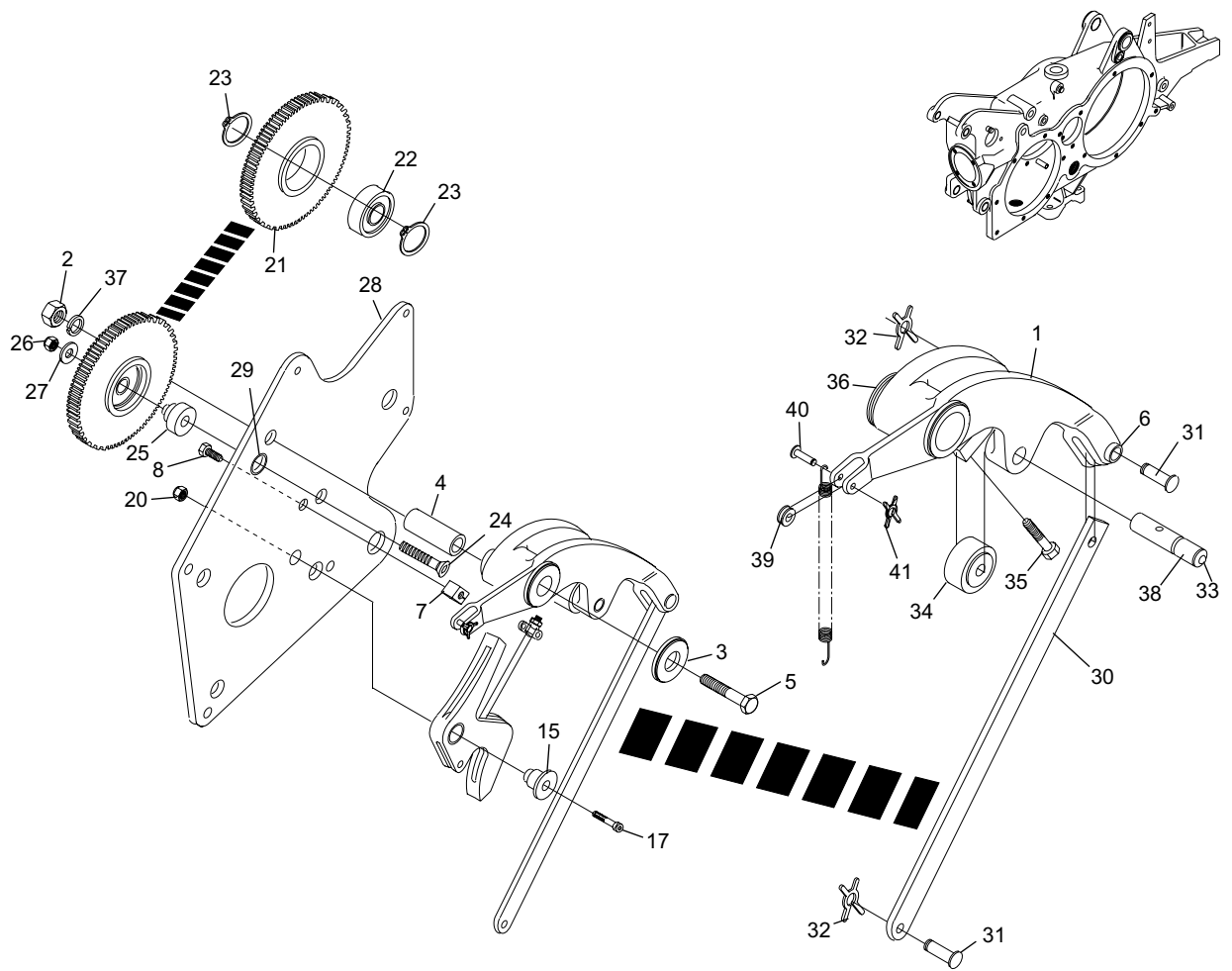
Index

No.	Part No.	Description
1.	12-100365-000	Scissor
2.	11-125108-001	Hex Nut (1/2-13)
3.	12-100170-007	Washer
4.	12-100046-003	Spacer
5.	11-001517-001	Hex Head Socket Cap Screw (1/2-13 x 3-1/4")
6.	11-420038-000	Bearing (.3135 I.D. X .4395 O.D.)
7.	12-100051-000	Stop
8.	11-015367-001	Hex Head Socket Cap Screw (5/16-18 x 3/4")
9.	12-100353-000	Link
10.	12-100354-000	Adjusting Block
11.	11-125203-001	Hex Jam Nut (5/16-24)
12.	11-345404-000	Roll Pin (1/4 x 1/2")
13.	12-100238-051	Latch & Bearing Assembly
14.	11-420018-000	Sleeve Oilite Bearing
15.	12-100488-000	Latch Stud
16.	N.A.	Hex Head Latch Stud, See Note
17.	11-005263-001	Hex Head Socket Cap Screw (5/16-18 x 7/8")
18.	11-001262-000	Hex Head Cap Screw (5/16-18 x 3/4")
19.	11-190012-001	Flat Washer - SAE (5/16)
20.	11-170009-001	Hex Nut Nylock (5/16-18)
21.	12-100233-000	Idler Gear
22.	11-430012-000	Bearing, single (.4724 ID X 1.2598 OD)
23.	11-531008-000	Inverted Internal Retaining Ring
24.	11-007190-001	Flat Head Socket Cap Screw (1/4-20 x 1-3/4")
25.	12-100080-000	Stud
26.	11-170007-001	Hex Nut Nylock (1/4-20)
27.	11-190010-001	Flat Washer (1/4)
28.	12-100207-000	Mounting Plate
29.	11-421015-000	Flanged Oilite Bearing
30.	12-100219-000	Cam Lever Link
31.	12-100166-021	X-Washer Pin
32.	11-230002-001	"X" Washer (5/32)
33.	11-280002-000	Grease Fitting Drive
34.	11-450301-000	Ball Bearing
35.	11-001068-001	Hex Head Cap Screw (10-24 x 1-1/2")
36.	11-421109-000	Flanged Oilite Bearing
37.	11-195010-001	Lockwasher (#10)
38.	12-100305-000	Pin Assembly
39.	10-376010-000	Spring Roller
40.	12-100166-006	X-Washer Pin (7/8 x .187)
41.	11-230000-001	X-Washer (3/32)

N.A. = No Longer Available

*NOTE: The Hex Head Latch Stud is no longer available.
Order 12-100488-000, 11-005263-001, and 11-170009-000.*

Gear Box Assembly

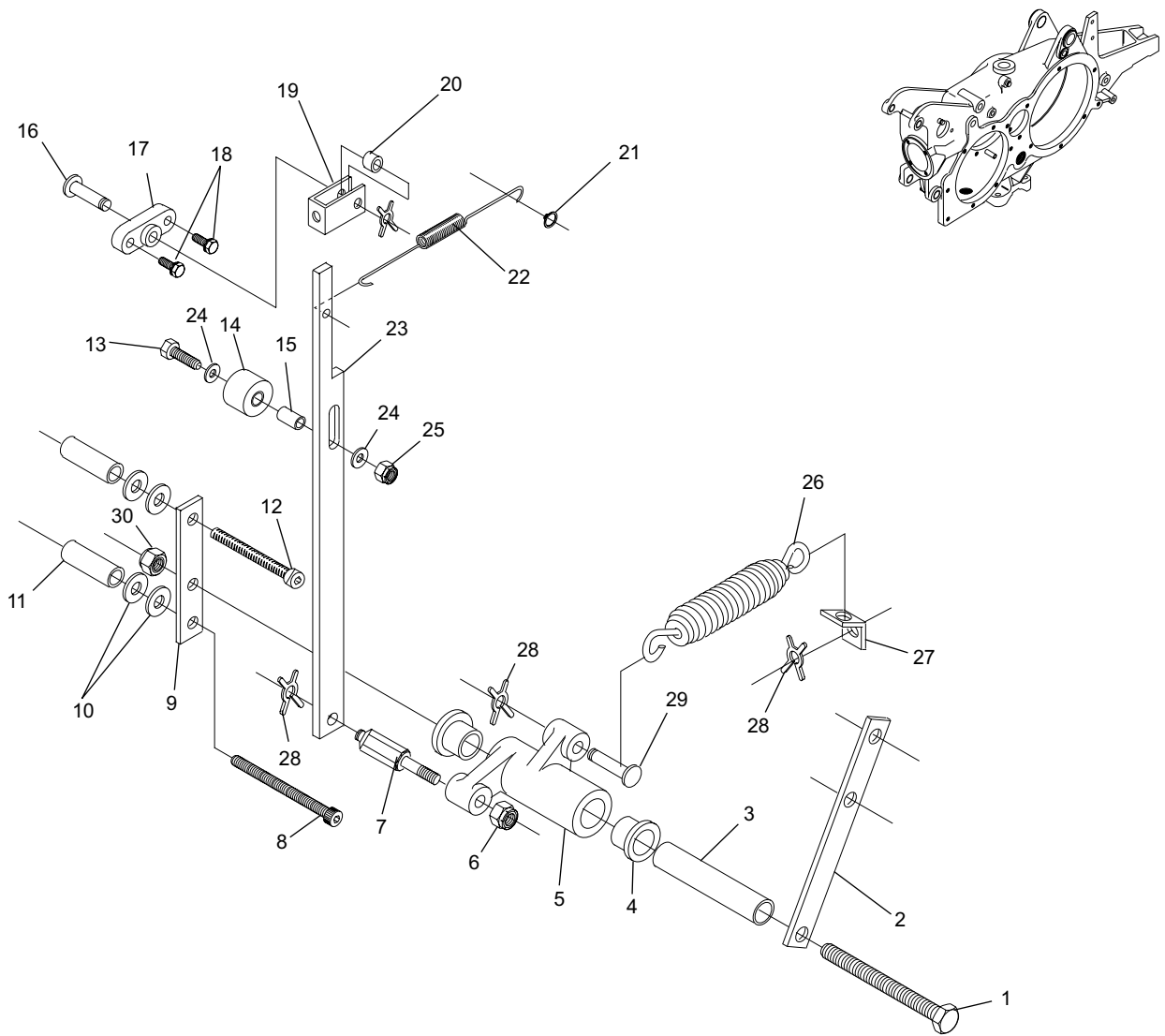


Gear Box Assembly

Index

No.	Part No.	Description
1.	11-001360-001	Hex Head Cap Screw (3/8-16 x 4")
2.	12-100866-000	Mounting Strap
3.	12-100869-000	Pivot Spacer
4.	11-421019-000	Flanged Oilite Bearing
5.	12-100863-000	Bell Crank Assembly
6.	11-170007-001	Hex Nut Nylock (1/4-20)
7.	12-100870-000	Washer Stud
8.	11-005278-001	Hex Socket Head Cap Screw (5/16-18 x 3-1/2")
9.	N.A.	Spacer Plate
10.	11-190012-001	Flat Washer - SAE (5/16)
11.	12-100873-000	Spacer
12.	11-005274-001	Hex Socket Head Cap Screw (5/16-18 x 2-1/2")
13.	11-001066-001	Hex Head Cap Screw (10-24 x 1-1/4")
14.	12-100877-000	Bumper
15.	12-100876-000	Spacer
16.	10-229510-000	X-Washer Pin
17.	12-100871-000	Stud Plate
18.	11-081017-001	Hex Washer Self Tapping Screw (10-24 x 5/8")
19.	12-100872-000	Retainer
20.	12-200047-003	Spacer
21.	11-534510-001	Grip Ring (.250 SHAFT DIA.)
22.	12-100874-000	Tension Spring
23.	12-100867-000	Latch
24.	11-190006-001	Flat Washer - SAE (#10)
25.	11-170005-001	Hex Nut Nylock (#10-24)
26.	12-100865-000	Tension Spring
27.	12-100875-000	Clip
28.	11-230001-001	X-Washer (1/8)
29.	10-229509-000	X-Washer Pin
30.	11-170011-001	Hex Nut Nylock (3/8-16)

N.A. = No Longer Available

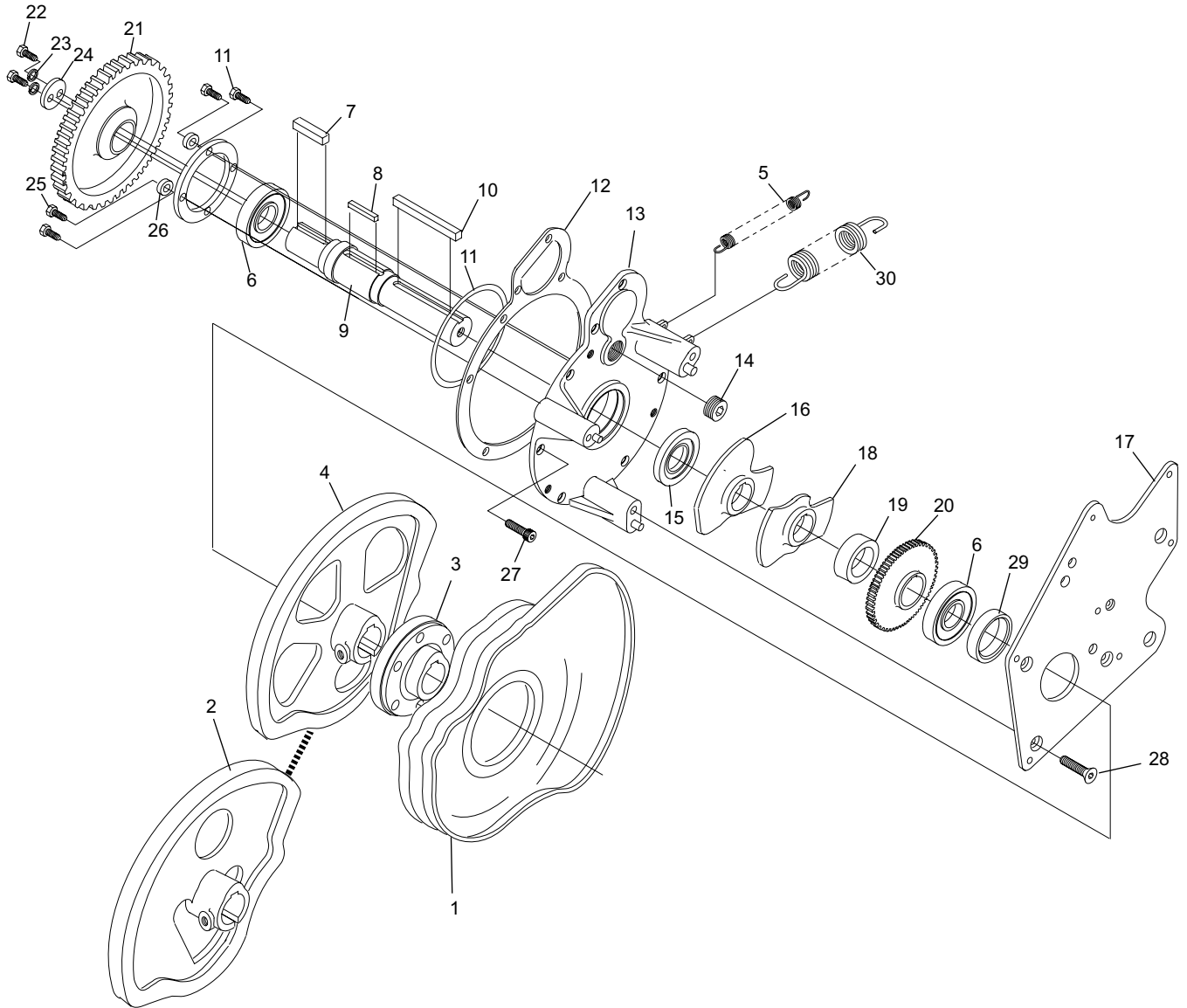
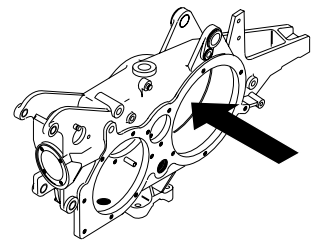


Deck and Turret Jam Protection Kit

Index

No.	Part No.	Description
1.	12-860578-000	Rake Cam Conversion Kit
2.	12-102794-000	Scissor & Moving Deck Cam, for machines equipped with Scotch Yoke
3.	12-100045-000	Rake Cam Hub
4.	12-100828-002	Scissor & Moving Deck Cam, for machines equipped with 12-100217-000 link
5.	12-100102-000	Tension Spring
6.	11-430011-000	Ball Bearing
7.	12-100187-007	Square Key
8.	12-100164-000	Rectangular Key
9.	12-100130-000	Shaft
10.	12-100187-008	Square Key
11.	11-625530-000	O-Ring
12.	12-100339-000	L.H. Gear Box Cover Gasket
13.	N.A.	Cover & Pin Only
14.	11-030004-001	Pipe Plug (1/2-14 x .582 Max.)
15.	12-100088-000	Oil Seal
16.	12-100122-000	Extended Cycle Cam
17.	12-100207-000	Mounting Plate
18.	12-100123-000	Cam
19.	12-102123-000	Spacer
20.	12-100068-000	Drive Gear
21.	12-100140-000	Spur Gear
22.	11-001909-001	Hex Head Socket Cap Screw (5/16-18 x 1")
23.	11-195015-001	Lockwasher (5/16")
24.	12-100223-000	Washer
25.	11-015287-001	Hex Head Socket Cap Screw (1/4-20 x 3/4")
26.	12-100433-000	Bearing Retainer
27.	11-005263-001	Hex Head Socket Cap Screw (5/16-18 x 7/8")
28.	11-007346-001	Flat Head Socket Cap Screw (3/8-16 x 1-1/4")
29.	12-100185-004	Spacer
30.	12-100109-000	Tension Spring

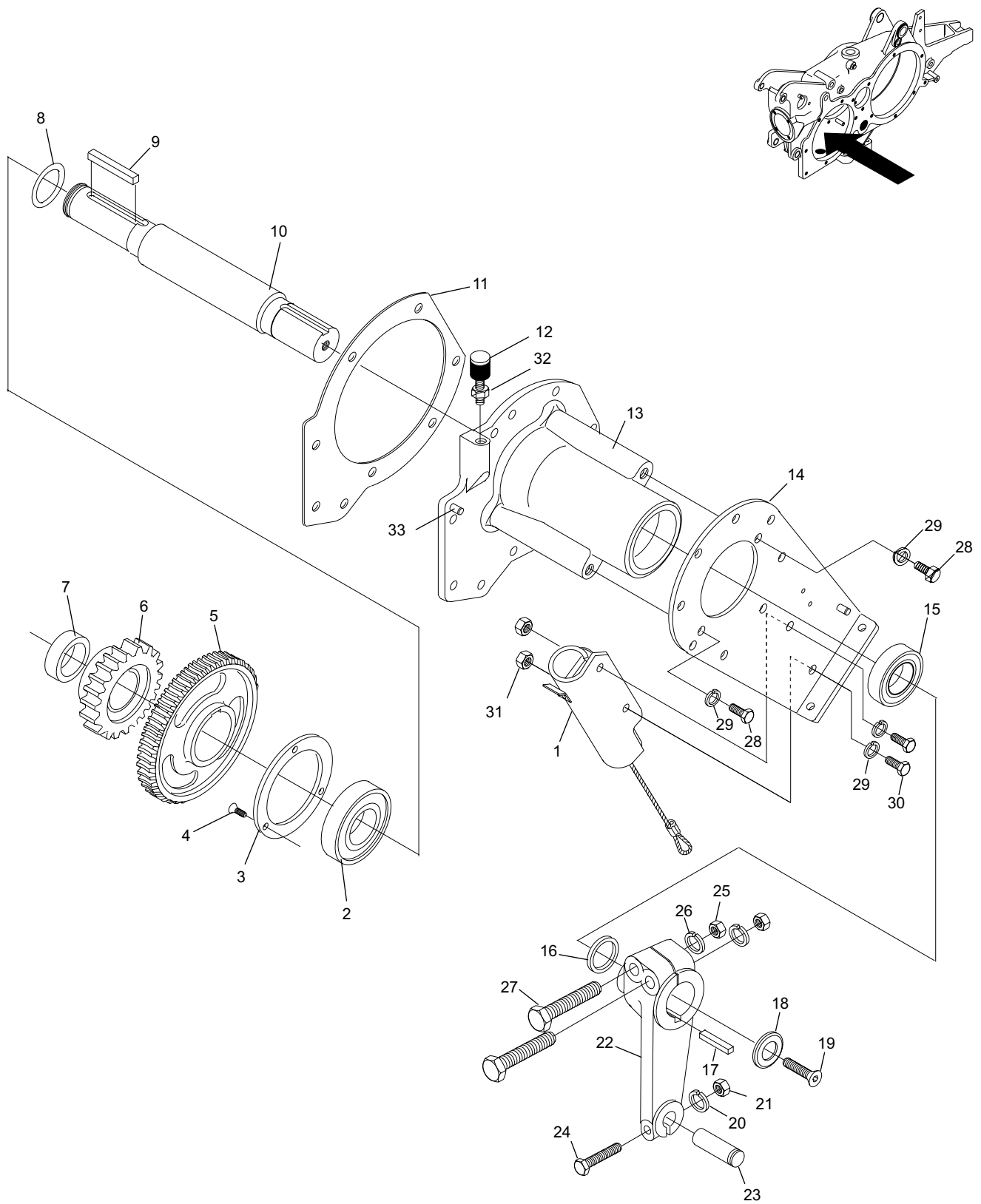
N.A. = *No longer Available*



Gear Box Cover Assembly

Index

No.	Part No.	Description
1.	12-100281-000	Cable & Tube Assembly
2.	11-430002-000	Ball Bearing
3.	12-102165-000	Bearing Retainer
4.	11-008088-001	Flat Head Socket Cap Screw (10-24 x 3/4")
5.	12-100174-002	Worm Sheel (60:1)
6.	12-100151-000	Spur Gear
7.	12-100185-007	Spacer
8.	12-100317-000	O-Ring
9.	12-100187-002	Square Key
10.	12-102162-000	Crank Shaft
11.	12-102166-002	Shim (.005), blue
	12-102166-003	Shim (.010), brown
	12-102166-004	Shim (.020), yellow
12.	12-102373-000	Bumper Button
13.	12-102161-000	Rake Crank Housing
14.	12-102163-000	Support Plate
15.	11-430045-000	Ball Bearing
16.	12-102167-000	Spacer
17.	12-100187-003	Square Key
18.	12-100065-002	Washer
19.	11-007344-000	Flat Head Socket Cap Screw (3/8-16 x 1")
20.	11-195016-001	Lockwasher (3/8)
21.	11-125104-001	Hex Nut (3/8-16)
22.	12-100134-000	Crank
23.	12-100141-002	X-Washer Pin
24.	11-001352-001	Hex Head Socket Cap Screw (3/8-16 x 2")
25.	11-125108-001	Hex Nut (1/2-13)
26.	11-195018-001	Lockwasher (1/2)
27.	11-001515-000	Hex Head Socket Cap Screw (1/2-13 x 2-3/4")
28.	11-001264-001	Hex Head Cap Screw (5/16-18 x 1")
29.	11-195015-001	Lockwasher (5/16)
30.	11-001262-001	Hex Head Cap Screw (5/16-18 x 3/4")
31.	11-125102-001	Hex Nut (5/16-18)
32.	11-125200-001	Hex Jam Nut (1/4-20)
33.	12-100169-008	Pin



Gear Box 4:1 Assembly

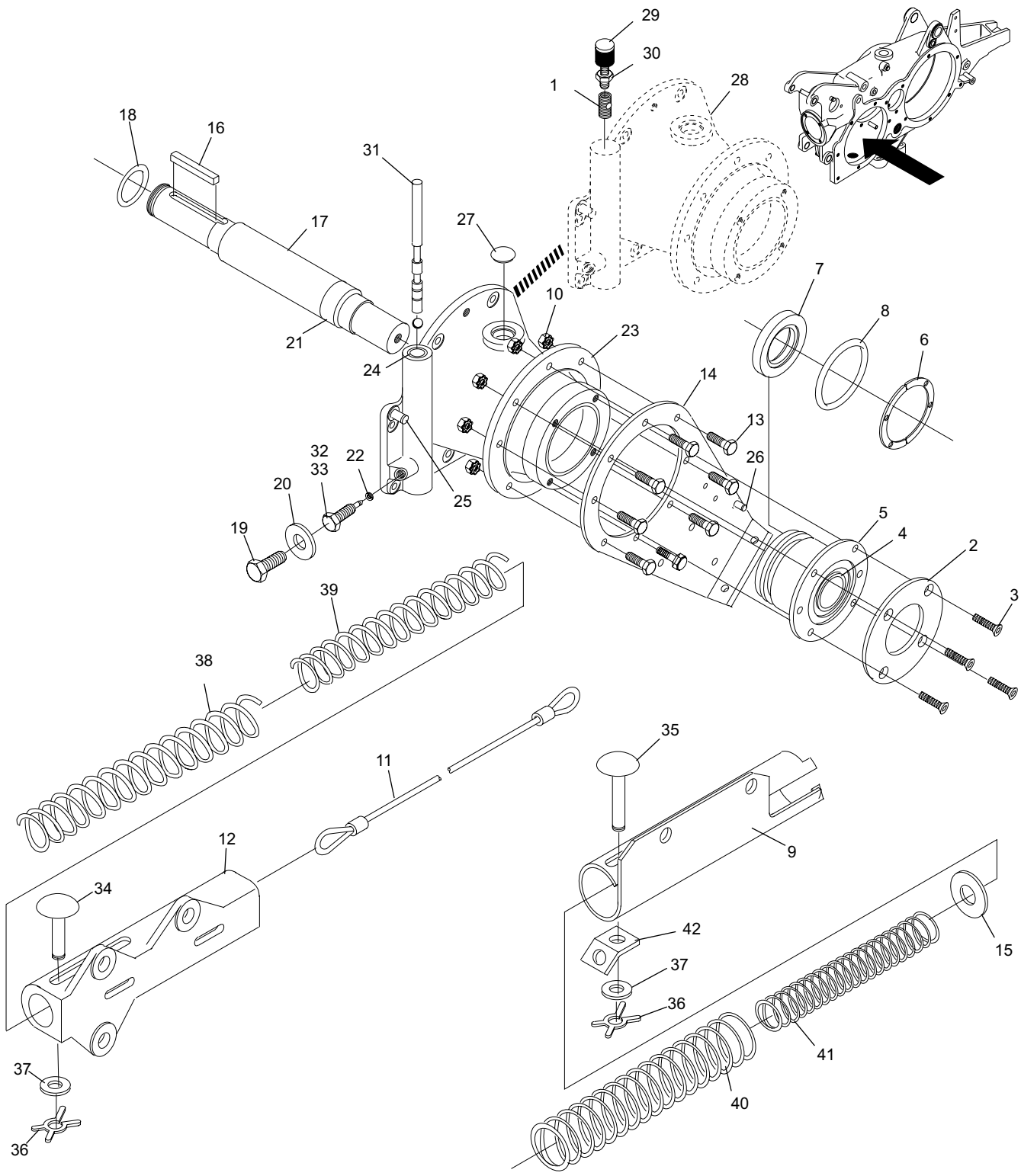
Index

No.	Part No.	Description
1.	12-102159-000	Bumper Adapter
2.	N.A.	Bearing Cap
3.	11-007264-001	Flat Head Socket Cap Screw (5/16-18 x 1")
4.	11-432001-000	Ball Bearing
5.	N.A.	Bearing Housing
6.	12-100059-002	Shim (.030), coral
	12-100059-003	Shim (.020), yellow
	12-100059-004	Shim (.010), brown
	12-100059-005	Shim (.002), red
7.	11-625002-000	Oil Seal
8.	12-100295-000	O-Ring
9.	12-100281-000	Cable & Tube Assembly
	12-100479-000	Spring Tube
10.	11-176001-001	Keps Nut (5/16-18)
	11-125102-000	Hex Nut (5/16-18)
	11-195015-001	Lockwasher (5/16)
11.	12-100280-000	Moving Deck Cable Assembly
12.	N.A.	Spring Tube, See Note
13.	11-001262-000	Hex Head Cap Screw (5/16-18 x 3/4")
14.	12-100165-000	Support Plate Assembly
15.	11-191016-001	Flat Washer (7/16)
16.	12-100187-002	Square Key
17.	12-100420-000	Shaft & Spacer
18.	12-100317-000	O-Ring
19.	11-001376-001	Hex Head Cap Screw (3/8-24 x 3/8")
20.	12-100344-003	Gasket
21.	12-100384-000	Spacer
22.	11-625538-000	O-Ring
23.	N.A.	Housing & Sleeve Assembly
24.	12-100231-000	Sleeve
25.	12-100169-008	Pin
26.	12-100115-002	Spring Pin
27.	11-251000-000	Expansion Plug (1-1/8)
28.	N.A.	Rake Crank Housing, only
29.	12-102373-000	Bumper Button
30.	11-125200-001	Hex Jam Nut (1/4-20)
31.	12-100093-000	Plunger
32.	N.A.	Time Delay Stem (3/8-24)
33.	N.A.	Time Delay Stem (7/16-20)
34.	12-100078-000	Actuator Pin Switch
35.	12-100483-000	Switch Actuator Pin
36.	11-230001-001	X-Washer (1/8)
37.	11-190010-001	Flat Washer (1/4)
38.	12-100352-000	Spring
39.	12-100351-000	Spring
40.	12-100482-000	Compression Spring
41.	12-100481-000	Compression Spring
42.	12-100875-000	Clip

N.A. = No Longer Available

NOTE: When replacing Spring Tube, order (1) 12-100479-000,
(1) 12-100481-000, (1) 12-100482-000,
(1) 12-100483-000, and (1) 12-100478-000.

Gear Box Cover Assembly

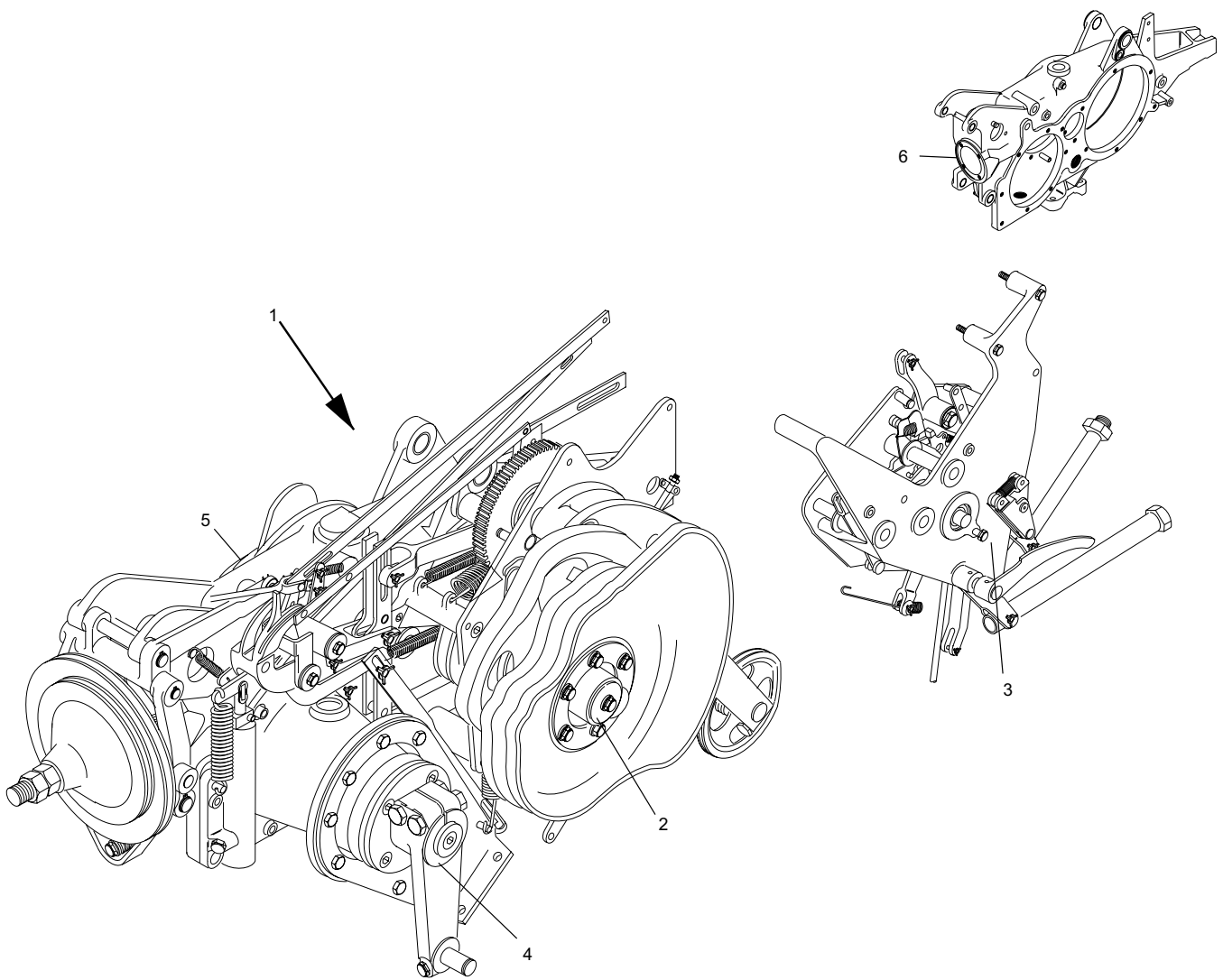


Gear Box Cover Assembly

Index No.	Part No.	Description
1.	N.A.	Pkg. A-2 Gear Box Shipping Assembly Rebuilt
	N.A.	Pkg. Gear Box Assembly - Rebuilt Model A
2.	N.A.	Gear Box Cover Assembly
	12-860065-000	Gear Box Cover Assembly
3.	N.A.	Detector Assembly
	N.A.	Detector Assembly & Hardware (1 Pkg.)
	N.A.	Detector Assembly, rebuilt for Model A
4.	12-862863-003	Rake Crank Assembly
	N.A.	Rebuilt Rake Crank Housing
5.	12-862064-000	Guard Assembly - Double Outside
	12-860064-000	Deck Lift Crank Eccentric Assembly & Hardware
	N.A.	Rebuilt 2:1 "A"
6.	12-102184-000	Gear Box Housing Assembly

N.A. = No Longer Available

Gear Box/Detector Assembly



Gear Box/Detector Assembly