



Service Parts Catalog

**Envoy
Lane Machine**

November 2012 / 14-900098-000

Brunswick 
CUSTOMER SERVICE
A tradition in excellence.

Envoy Lane Machine Service Parts Catalog

© November 2012 by the Brunswick Bowling and Billiards Corporation. All rights reserved.

Envoy is a registered trademark of the Brunswick Bowling and Billiards Corporation.

Reorder Part No. 14-900098-000

Notice: If available, updates to this catalog can be found on-line at www.brunswickbowling.com.

Confidential proprietary information. All information contained in this document is subject to change without notice.

Brunswick Bowling & Billiards Corporation
525 West Laketon Avenue
P.O. Box 329
Muskegon, MI 49443-0329
U.S.A.

231.725.3300

Contents

Section A - Cleaning System

Dusting System	2A
Cleaner Delivery System	4A
Squeegee & Waste System.....	6A
Intentionally Blank Page.....	8A

Section B - Chassis & Drive System

Chassis System.....	2B
Traction Drive System	4B
Rear Distance Shaft	6B
Conditioner Buffing System.....	4B

Section C - Conditioning System

Conditioning Delivery System.....	2C
Conditioner Buffing System.....	4C

Section D - Cover & Handle System

Hood System	2D
Handle System	4D

Section E - Electrical System

Graphical User Interface.....	2E
Lithium Power.....	6E
AGM Power	8E
AC/DC Power	10E
Electronic Enclosure - Left Side Video - Cable Assemblies	12E
Electronic Enclosure - Right Side Video - Cable Assemblies	14E
Electronic Enclosure - Rear View - Cable Assemblies	16E
Electronic Enclosure - Handle and GUI - Cable Assemblies	18E
Power Cord.....	20E

Section F - Miscellaneous

Fuses/ Extraction Tools/ Pins & Sockets	2F
Tubing/Tools/Miscellaneous	3F

Select Only Genuine Brunswick Replacement Parts for Brunswick Equipment

You purchased the best when you bought Brunswick equipment. Insist on the best in replacement parts. Buy Genuine Brunswick Replacement Parts to keep your equipment in top-notch working condition.

Here's why you should insist on Brunswick Replacement Parts for your Brunswick equipment:

- Only Brunswick replacement parts are guaranteed to be the same, top quality, heavy-duty parts that go into the world's finest equipment by Brunswick.
- Rigid quality control assures maximum protection against part defect or failure.
- Full-time testing of all equipment and continual updating of parts provides the latest improvements.
- Each improved part is designed to be interchangeable with the part it is replacing.
- Efficient cost methods of production and design, reduce the cost of parts.

To place an order contact your certified Brunswick parts distributor or Brunswick at 1-800-YES-BOWL or 231-725-3300. Authorized Brunswick part distributors listings can be found on-line at www.brunswickbowling.com

For catalog comments or questions please e-mail: aftermarketcatalogs@brunbowl.com

WARRANTY

- Warranty coverage starts with date of purchase.
- The warranty coverage period is 90 days on materials.
- Repair or replacement parts is at the option of Brunswick.
- Call your authorized Brunswick Parts Distributor for parts warranty transaction process.

Intentionally Blank Page

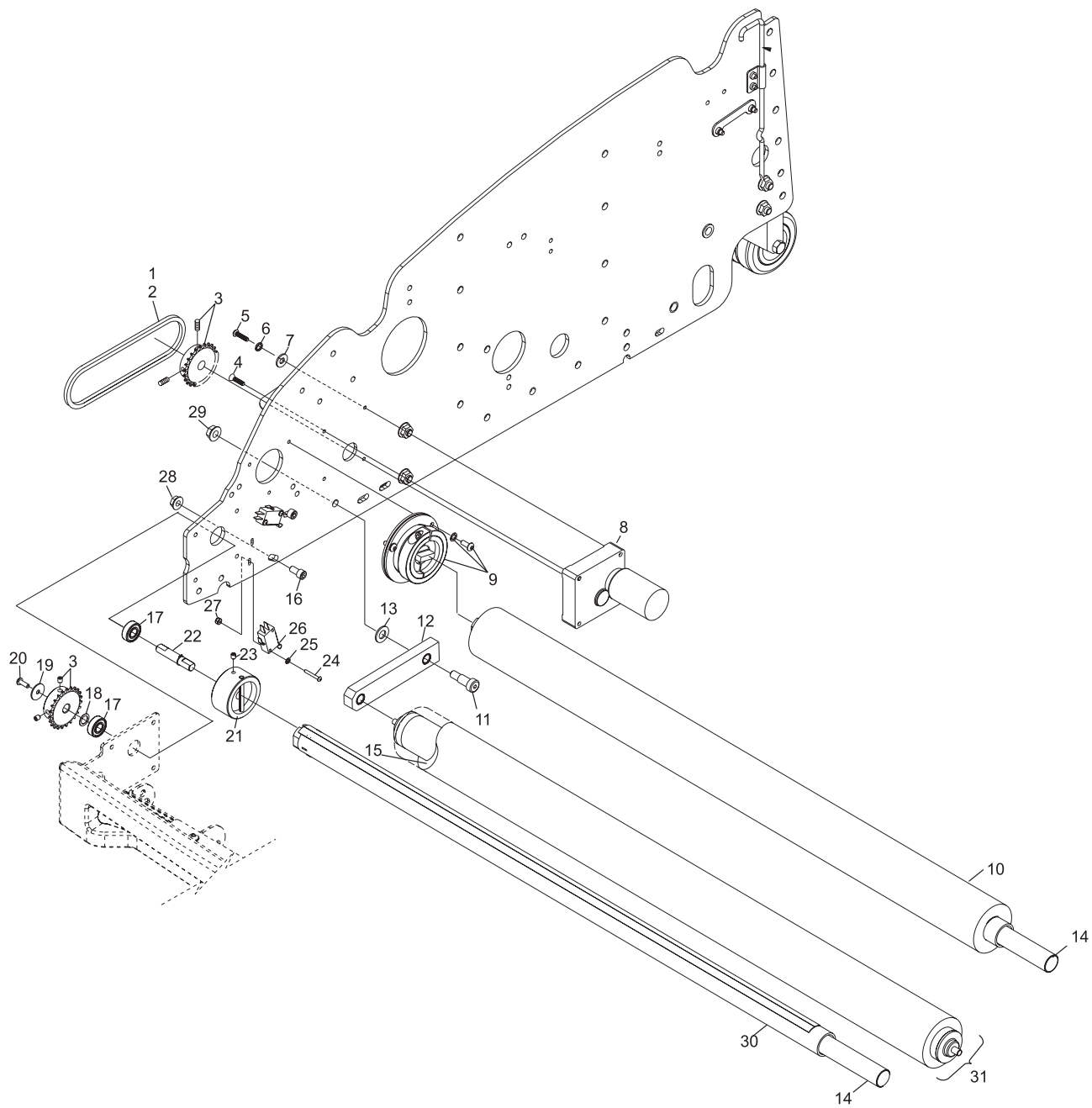
Section A

Cleaning System

Index

No.	Part No.	Description
1.	11-601013-000	Roller Chain
2.	11-600010-000	Master Link Assembly (1/4" #25)
3.	11-491104-000	Sprocket (23 Tooth, 3/8 Bore)
4.	11-007124-000	Flat Head Hex Socket Cap Screw (#10-32 x 1")
5.	11-006125-000	Button Head Socket Cap Screw (#10-32 x 1")
6.	11-195010-015	Lockwasher (#10)
7.	11-190006-015	Plain Washer (#10)
8.	14-100724-005	Duster Motor w/Connector
9.	14-100364-000	Friction Clutch Assembly w/hardware
10.	62-860207-000	Authority 22 Cleaning Cloth - Package
11.	11-106650-000	Socket Head Shoulder Screw (5/16-18 x 3/8 x 5/8")
12.	14-100084-000	Cushion Roller Pivot Arm
13.	11-191752-000	Washer (3/8)
14.	14-100204-000	Duster Cloth Stiffener
15.	14-100081-002	Duster Foam Tube (1.62ld x .75 x 43L)
16.	11-005178-015	Hex Head Socket Cap Screw (1/4-20 x 1/2")
17.	11-500100-000	Roller Bearing (3/8 x 7/8 x 9/32)
18.	11-192577-000	Shim (.376ld x .563Od x .010 Thick)
19.	11-190554-015	Fender Washer (11/64 ld x .75 Od)
20.	11-006063-000	Button Head Cap Screw (#8-32 x 1/2")
21.	14-100078-000	Duster Cloth Take Up Hub Assembly
22.	14-100780-000	Duster Take-Up Drive Shaft Assembly
23.	11-105451-000	Hex Socket Set Screw (#10-32 x .25")
24.	11-006009-000	Button Head Socket Cap Screw (#4-40 x 7/8")
25.	11-199000-015	Internal Tooth Lockwasher (#4)
26.	11-616025-000	Duster Cloth Up/Dn Lever Type Switch
27.	11-170000-015	Locknut (4-40)
28.	11-171504-000	Serrated Flange Hex Nut (1/4-20)
29.	11-171501-000	Serrated Flange Hex Nut (5/16-18)
30.	61-200008-000	Duster Cloth Core W/ Plug Assembly
31.	14-100081-000	Cushion Roller Duster Cloth Assembly

Dusting System

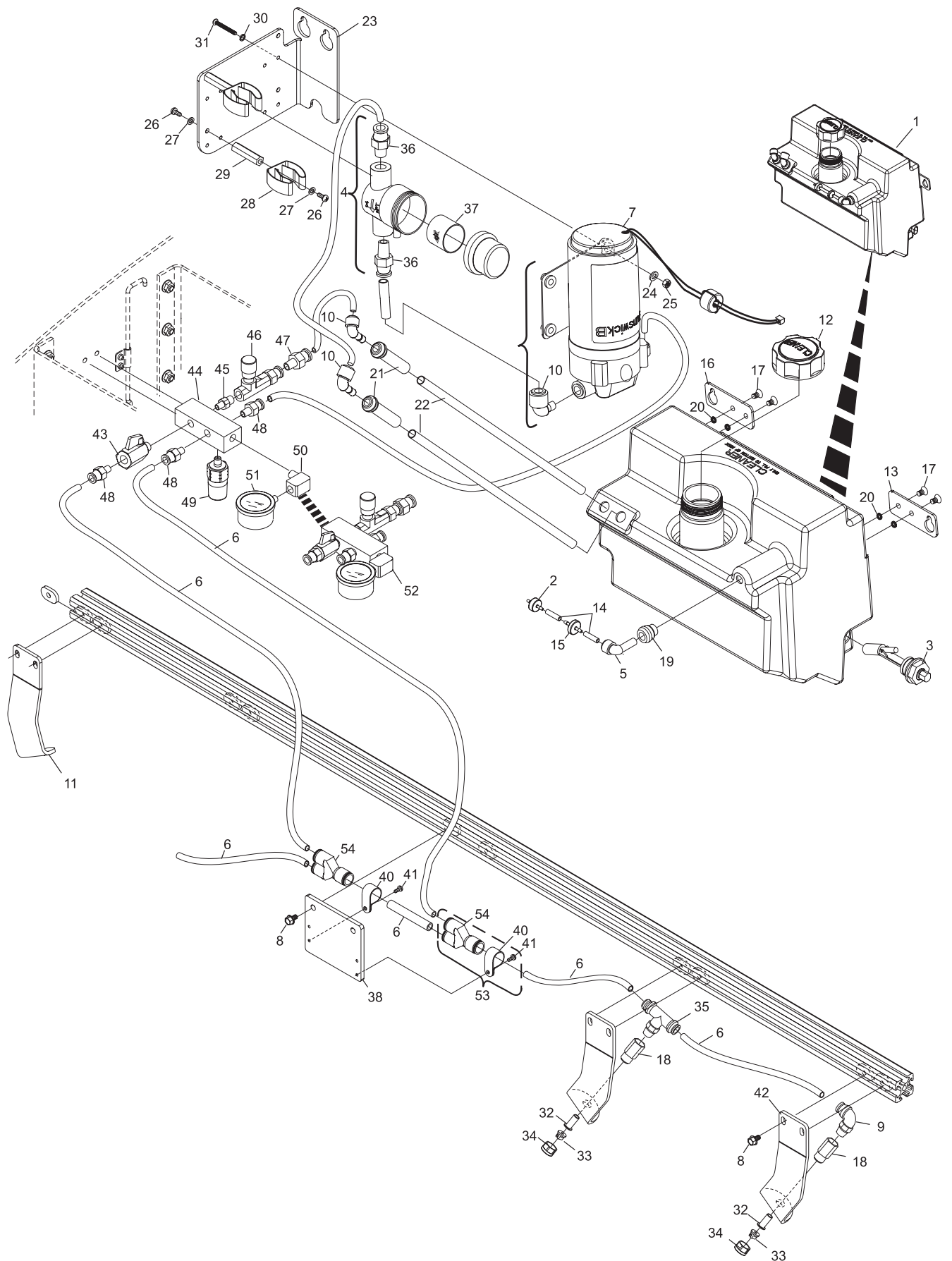


Dusting System

Index

No.	Part No.	Description
1.	14-100944-000	Supply Tank Assembly
2.	11-655037-000	Vent Valve
3.	14-100942-000	Level Float Sensor
4.	14-100406-000	Line Strainer Assembly
5.	11-655052-000	90° Elbow Fitting (1/4" tube x 3/8" stem)
6.	11-655043-006	Tubing - 3/8" (20')
7.	14-100758-000	Cleaner Pump Assembly
8.	11-010782-000	Hex Head Serrated Flange Cap Screw (1/4-20x 1/2")
9.	11-655041-000	Elbow Fitting (3/8 tube 1/4 NPT)
10.	11-655053-000	90° Elbow Fitting (3/8")
11.	14-100864-002	Nozzel Holder Bracket (right hand)
12.	14-100449-000	Cap w/Seal
13.	14-100440-002	Tank Mounting Bracket (left hand)
14.	11-655039-001	Tube (1/4 O.D. x 1.25")
15.	11-655038-000	Check Valve (1/8 x 1/8)
16.	14-100440-001	Tank Mounting Bracket (right hand)
17.	11-014265-000	Screw (1/4-20 x 1/2")
18.	11-655074-000	Nozzel Body - Female (1/4 x 11/16-16)
19.	14-100430-001	Grommet
20.	11-625602-000	O-Ring (11/32)
21.	14-100430-000	Grommet
22.	11-282004-002	Tubing (3/8" x 10-3/8")
23.	14-100438-000	Pump Mounting Bracket
24.	11-191753-000	Washer
25.	11-170005-015	Lock Nut (#10-24)
26.	11-006061-015	Screw (#8-32 x 3/8")
27.	11-199002-015	Lockwasher (#8)
28.	11-655058-000	Tool Holder
29.	11-185257-000	Standoff (#8-32 x 1-1/4")
30.	11-199003-015	Lockwasher (#10)
31.	11-006095-000	Screw (#10-24 x 1-1/4")
32.	11-655086-000	Strainer w/Check Valve (100 mesh screen)
33.	11-655070-000	Spray Tip - 110 Deg (.05 GPM)
34.	11-655004-000	Spray Cleaner Tip Retainer
35.	11-655080-000	Tee Fitting (3/8" Tube To 1/4 NPT)
36.	11-655048-000	Connector Fitting (3/8")
37.	11-655084-004	Line Strainer (100 Mesh)
38.	14-100877-000	Union Plate
39.	11-655025-000	Y - Union (3/8" Dia. Tube)
40.	11-603003-000	Loop Clamp (5/8")
41.	11-012058-015	Screw (#8-32 x 3/8")
42.	14-100864-001	Nozzel Bracket (left hand)
43.	11-655075-000	Ball Valve (1/8 NPT Male-Female)
44.	14-100879-000	Cleaner Manifold Body
45.	11-655076-000	Nipple Reducer - Hex Male (1/4 NPT to 1/8 NPT)
46.	11-655071-000	Adjustment Valve - Bi-Directional Flow Control
47.	11-655048-000	Male Connector Fitting (3/8" Tube x 1/4 NPT)
48.	11-655063-000	Male Connector Fitting (3/8" Tube x 1/8 NPT)
49.	14-100935-000	Low Pressure Switch Assembly
50.	11-655057-000	Fitting - 90 Degree Elbow
51.	11-655065-000	Pressure Gauge (2 Dia 0-60 PSI)
52.	14-100910-000	Cleaner Manifold Assembly
53.	14-860035-000	Pkg. "Y"- Union (3/8")
54.	11-655087-000	Y - Union (3/8")

Cleaner Delivery System

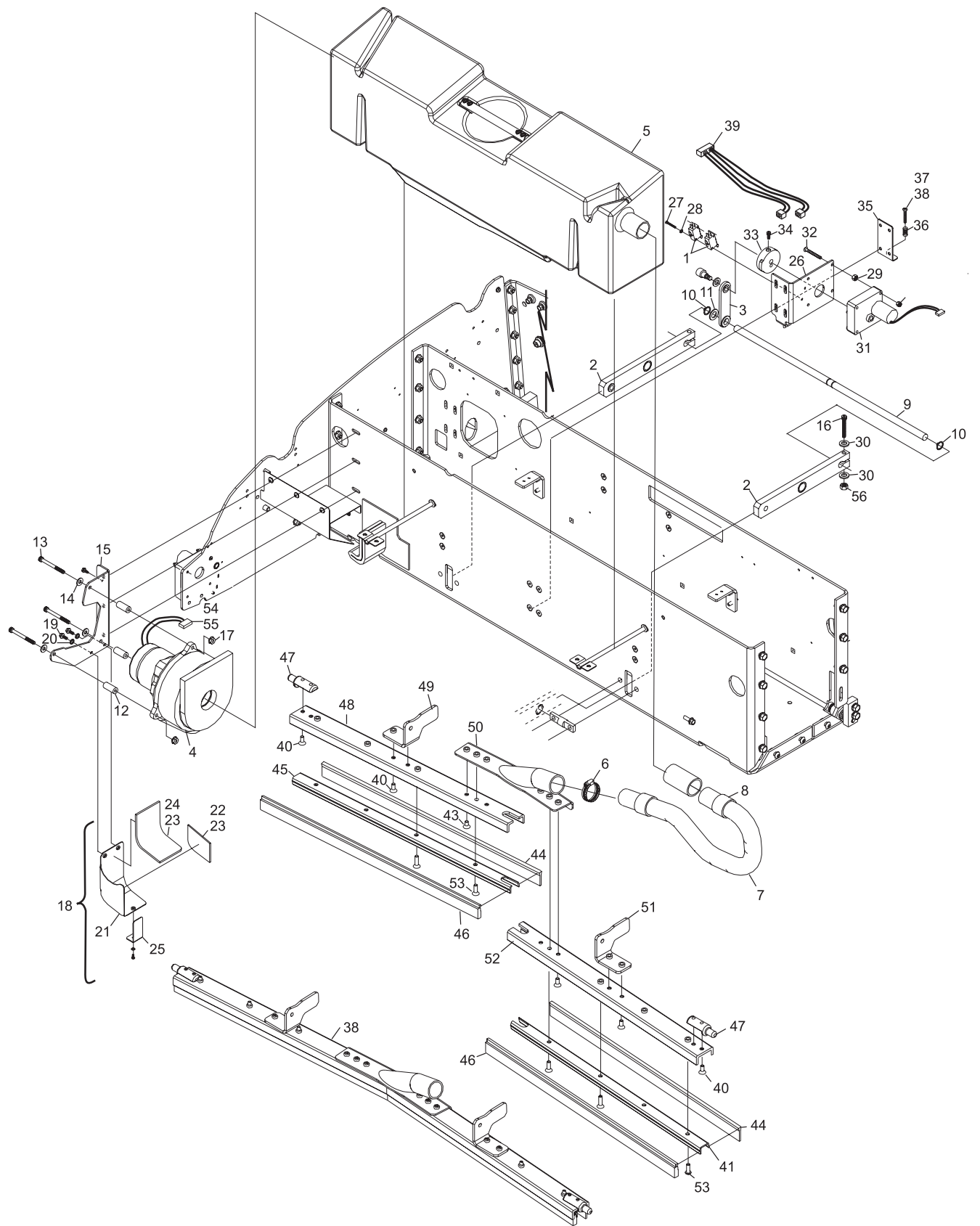


Cleaner Delivery System

Index

No.	Part No.	Description
1.	11-616026-000	Switch
2.	14-100060-000	Pivot Arms
3.	14-100065-000	Lifting Linkage
4.	14-100914-000	Vacuum Motor Assembly
5.	14-100301-000	Waste Tank
6.	14-100917-000	Vacuum Hose Assembly
7.	11-655078-002	Hose
8.	11-655077-000	Hose Cuff
9.	14-100061-000	Lift Rod
10.	11-537051-000	Retaining Ring (external)
11.	11-192576-000	Shim
12.	11-388000-000	Spacer (1/4" I.D. x 1/2" O.D. x 1-1/4")
13.	11-005193-015	Screw (1/4-20 x 2-1/4")
14.	11-190010-015	Flat Washer (1/4)
15.	14-100093-000	Vacuum Motor Bracket
16.	11-005190-015	Socket Head Cap Screw (1/4-20 x 13/4")
17.	11-171504-000	Hex Serrated Head Nut (1/4-20)
18.	14-100097-000	Vacuum Exhaust Deflector Assembly
19.	11-006116-000	Screw (#10-32 x 3/8")
20.	11-199003-015	Lock Washer (#10)
21.	14-100066-000	Vacuum Exhaust Deflector
22.	14-100106-000	Side Exhaust Deflector Felt
23.	14-860222-000	Adhesive (for felt)
24.	14-100104-000	Top Exhaust Deflector Felt
25.	14-100377-000	Diffuser Bracket
26.	14-100764-000	Motor Mount Bracket
27.	11-006010-000	Screw (#4-40 x 1")
28.	11-199000-015	Internal Tooth Lockwasher (#4)
29.	11-199003-015	Nut (#8-32)
30.	11-190010-015	Flat Washer (1/4)
31.	14-100724-022	Motor Assembly
32.	11-006125-000	Screw (#8-32 x 1-1/2")
33.	14-100729-000	Squeegee Up/Down Cam
34.	11-105454-000	Set Screw (1/4-28 x 3/8")
35.	14-100310-000	Nut Plate
36.	11-581011-000	Spring
37.	11-012353-015	Pan Head Cap Screw (#10-32 x 1-1/4")
38.	14-100850-000	V-Squeegee Assembly - complete
39.	14-100258-000	Up/Down Switch Cable Assembly
40.	11-007776-000	Flat Head Cap Screw (1/4-20 X 5/8")
41.	14-100457-001	Inner Squeegee Extrusion (left hand)
42.	11-170007-015	Nut (1/4-20)
43.	11-007775-000	Flat Head Cap Screw (1/4-20 X 1/2")
44.	14-100523-000	V-Squeegee Blade Assembly
45.	14-100457-002	Inner Squeegee Extrusion (right hand)
46.	14-100556-000	Absorbent Wiper Assembly
47.	14-100488-000	Alignment Pin
48.	14-100455-002	Outer Squeegee Extrusion (right hand)
49.	14-100458-002	Arm Bracket (right hand)
50.	14-100460-000	Vacuum Head Assembly
51.	14-100458-001	Arm Bracket (left hand)
52.	14-100455-001	Outer Squeegee Extrusion (left hand)
53.	11-007777-000	Button Head Cap Screw (1/4-20 x 3/4")
54.	11-696736-000	Terminal - Male
55.	11-696701-000	Connector Housing

Squeegee & Waste System



Squeegee & Waste System

Intentionally Blank Page

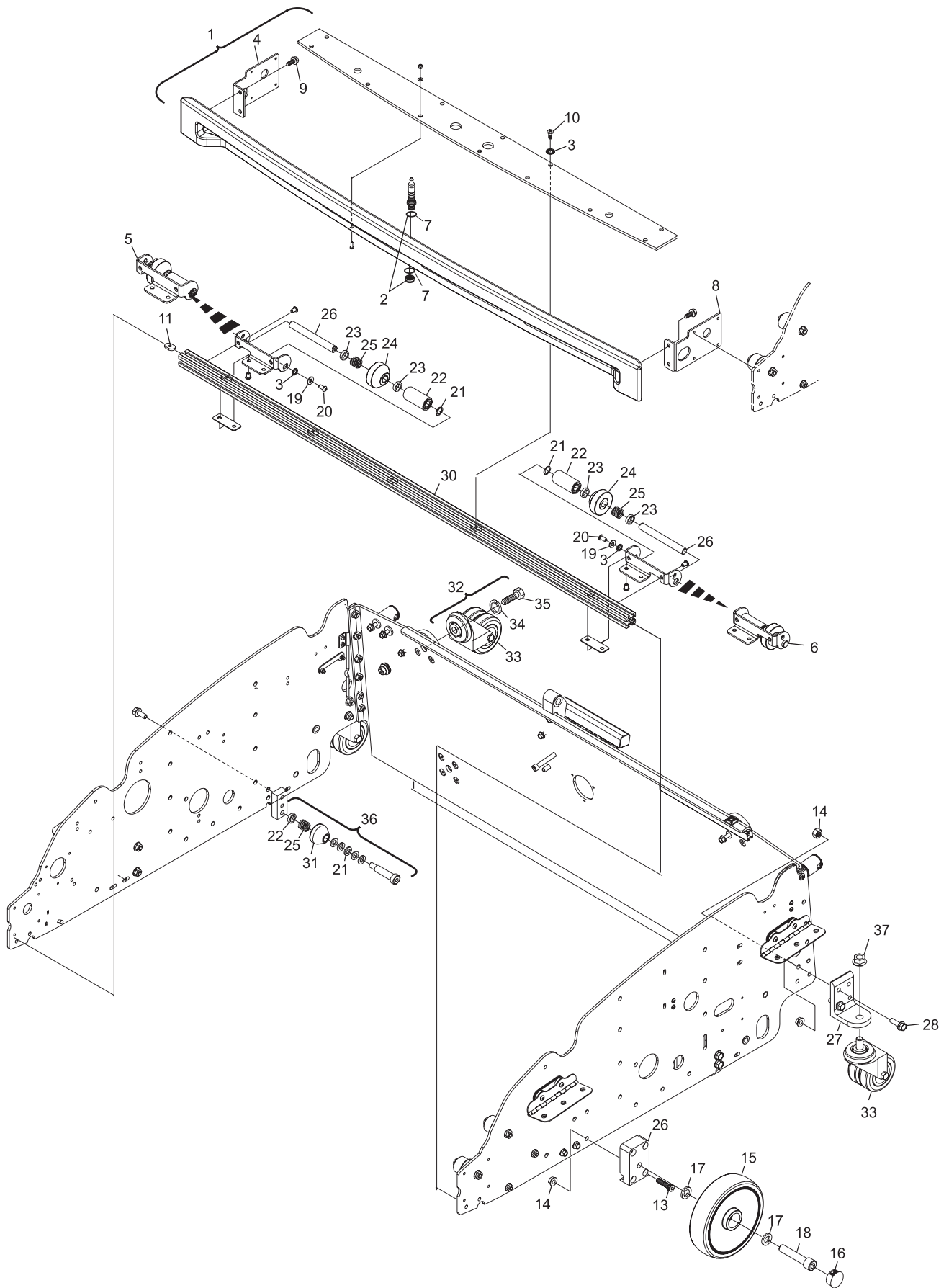
Section B

Chassis & Drive System

Index		
No.	Part No.	Description
1.	14-100776-000	Front Handle/Bumper
2.	14-100235-000	End of Lane Sensor
3.	11-199005-015	Internal Tooth Lockwasher (1/4)
4.	14-100777-001	Front Handle/Bumper Bracket (left hand)
5.	14-860241-002	Transition/Guide Wheel Assembly (right hand)
6.	14-860241-001	Transition/Guide Wheel Assembly (left hand)
7.	11-625601-000	O-Ring
8.	14-100777-002	Front Handle/Bumper Bracket (right hand)
9.	11-010790-000	Hex Head Serrated Flange Screw (1/4-20 x 3/8")
10.	11-006177-000	Button Head Cap Screw (1/4 x 3/8")
11.	14-100101-000	T-Nut (1/4-20)
12.	11-191014-015	Flat Washer (3/8)
13.	11-005266-015	Socket Head Cap Screw (5/16-18 x 1-1/2')
14.	11-171501-000	Hex Nut (5/16-18)
15.	14-100732-000	Wheel (6")
16.	11-611610-000	Dome Plug
17.	11-054110-009	Washer - Thick (10 mm)
18.	11-005514-015	Socket Head Cap Screw (1/2-13 x 2-1/2")
19.	11-190010-015	Washer (1/4)
20.	11-006218-015	Button Head Socket Cap Screw (1/4-28 x 1/2")
21.	11-185281-000	Spacer (1/2 x 1/16 x 1/32")
22.	14-100531-000	Transition Wheel Assembly
23.	11-185279-000	Spacer (1/2 I.D. x 1/32")
24.	14-100279-000	Front Guide Wheel
25.	11-581010-000	Compression Spring
26.	14-100731-000	Wheel Mount
27.	14-100730-000	Caster Bracket
28.	11-010787-000	Hex Head Serrated Flange Screw (5/16-18)
29.	11-192576-000	Shim (1/2 I.D. x 7/8 O.D.)
30.	14-100207-000	Front Brace/Transition Wheel Assembly
31.	14-100030-000	Guide Wheel
32.	14-100139-000	Swivel Caster Assembly (3")
33.	14-100138-000	Swivel Caster (3")
34.	11-002246-015	Hex Head Cap Screw (1/2-13 x 1-1/2")
35.	11-195018-015	Lockwasher (1/2)
36.	14-100036-000	Guide Wheel Assembly
37.	11-171505-015	Hex Serrated Flange Nut (1/2-13)

* *Not Illustrated*

Chassis System

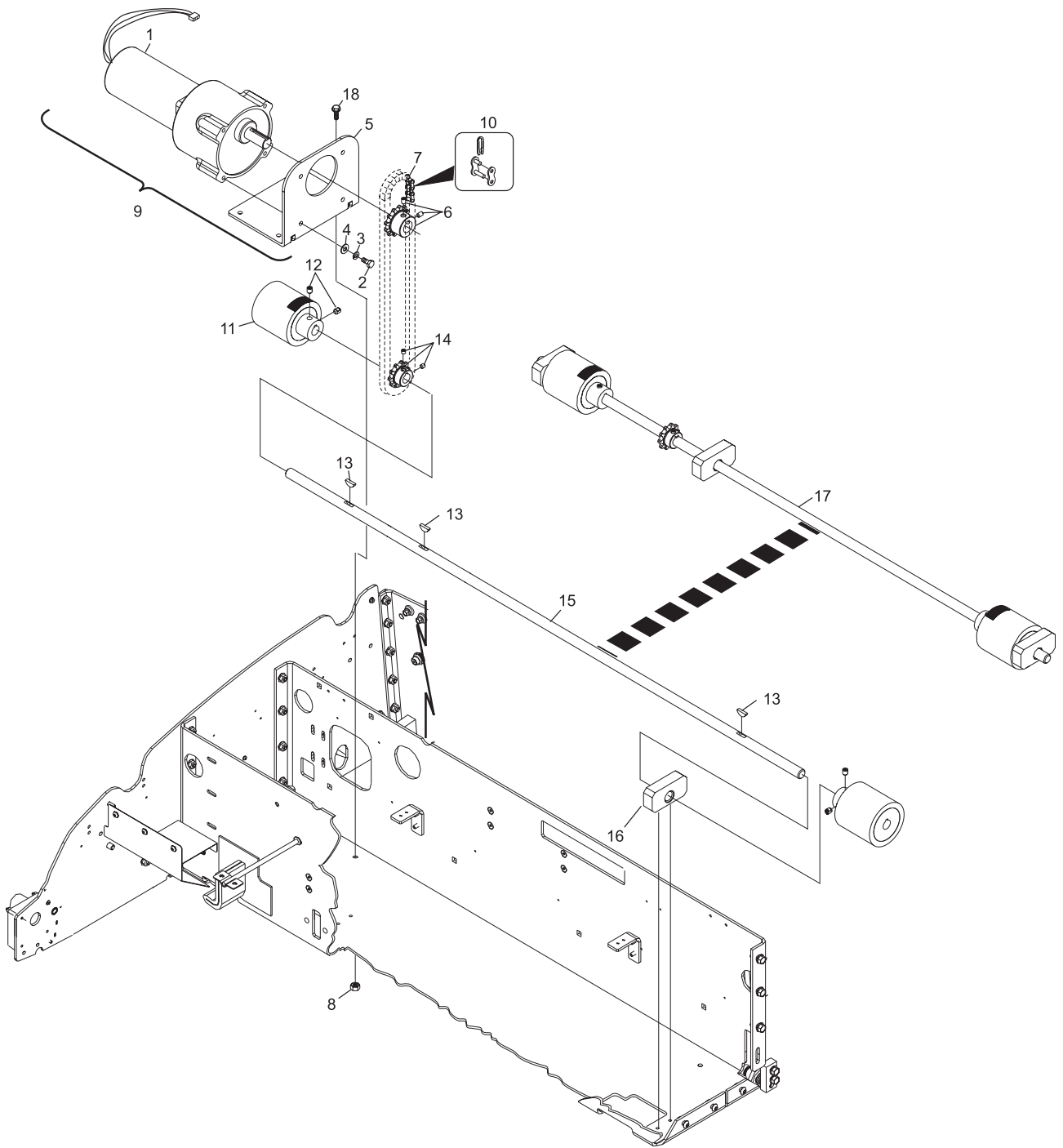


Chassis System

Index

No.	Part No.	Description
1.	14-100766-000	Drive Motor w/Cable Assembly
2.	11-002033-015	Screw (1/4-28 - 5/8")
3.	11-195014-015	Lockwasher (1/4)
4.	11-190010-015	Flat Washer (1/4)
5.	14-100005-001	Motor Mount Bracket
6.	11-491103-000	Sprocket (12 tooth)
7.	11-601011-000	Roller Chain
8.	11-171504-000	Nut (1/4-20)
9.	14-100767-000	Drive Motor Assembly w/Bracket
10.	11-600001-000	Connecting Link (roller chain)
11.	14-100470-000	Drive Wheel Assembly (urethane)
12.	11-105452-000	Set Screw (5/16-24 x 3/8")
13.	11-050007-000	Woodruff Key
14.	11-491101-000	Sprocket (10 tooth)
15.	14-100015-000	Drive Shaft
16.	14-100026-000	Bearing Block (short shaft)
17.	14-100027-000	Drive Shaft Wheel Assembly
18.	11-010785-000	Screw (1/4-20 x 3/4")

Traction Drive System

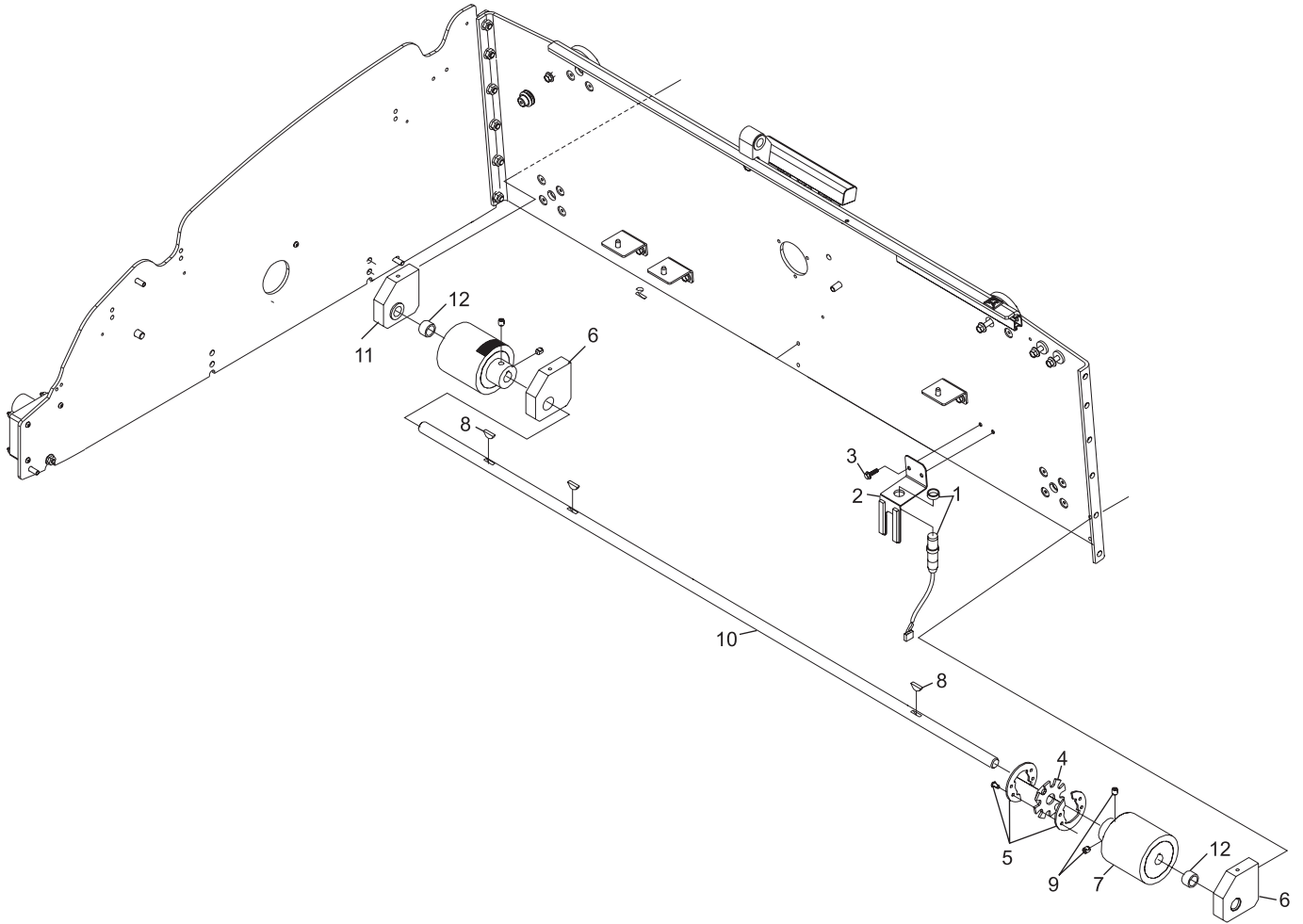


Traction Drive System

Index

No.	Part No.	Description
1.	14-100254-000	Speed Sensor Assembly
2.	14-100541-000	Speed Sensor Bracket
3.	11-010790-000	Hex Head Serrated Flange Screw (1/4-20 x 3/8")
4.	14-100073-000	Position Sensor Wheel Assembly
5.	14-860225-000	Distance Encoder Sprocket Shield
6.	14-100059-001	Bearing Block (left hand)
7.	14-100470-000	Drive Wheel Assembly
8.	11-050007-000	Woodruff Key (3/16 x 3/4)
9.	11-105452-000	Set Screw (5/16-24 x 3/8")
10.	14-100015-000	Drive Shaft
11.	14-100059-002	Bearing Block (right hand)
12.	11-420144-000	Bearing Sleeve (5/8 ID x 13/16 OD)

Rear Distance Shaft



Rear Distance Shaft

Intentionally Blank Page

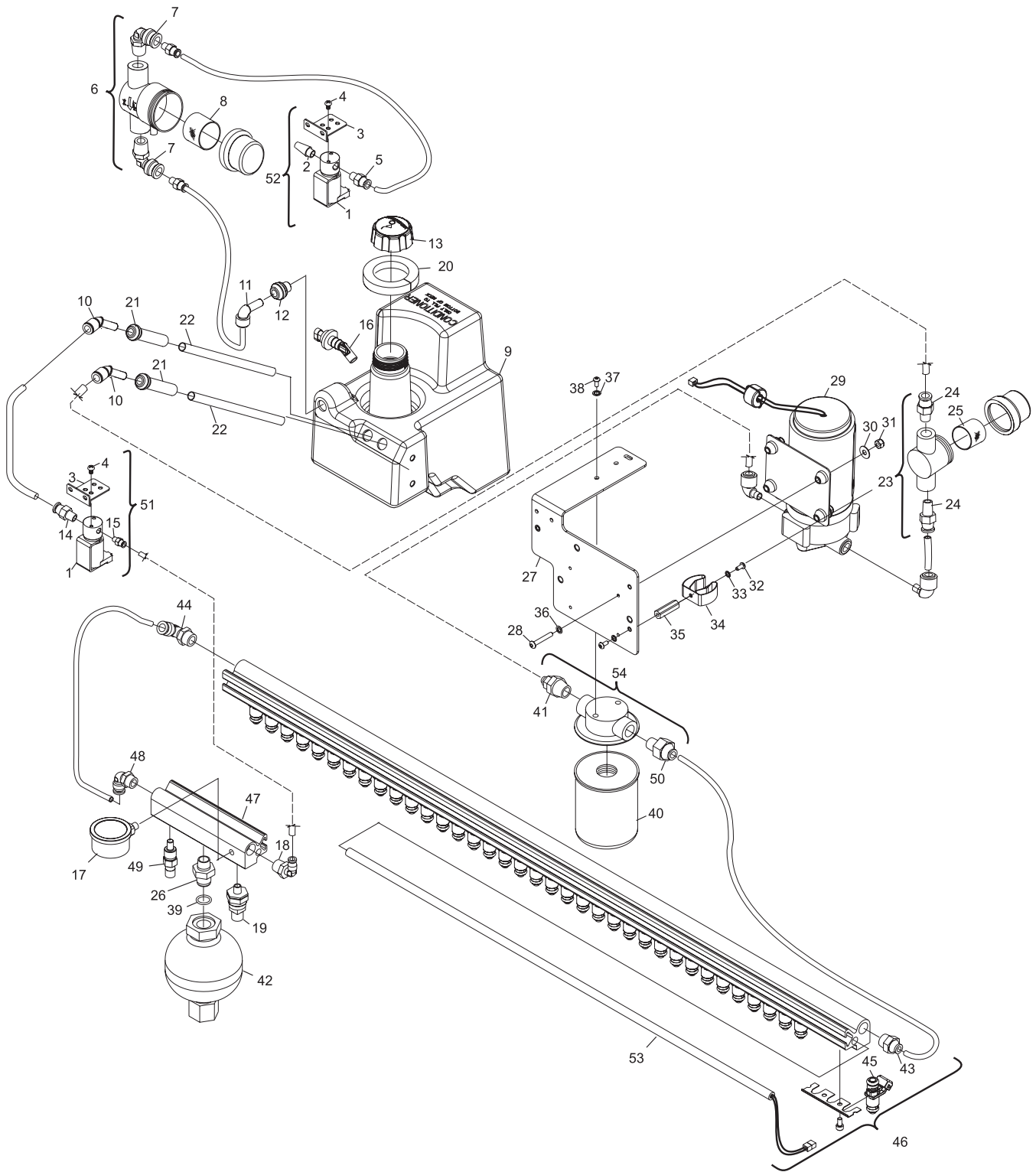
Section C

Conditioning System

Index

No.	Part No.	Description
1.	14-100725-000	Solenoid Valve w/Connector Assembly (24VDC)
2.	11-655016-000	Filter/Muffler
3.	14-100090-000	Mounting Bracket
4.	11-012056-015	Screw (#8-32 x 1/4)
5.	11-655015-000	Male Fitting (1/4 Tube x 1/8 NPT)
6.	14-100025-000	Vent Overflow Line Strainer
7.	11-655026-000	Swivel Elbow Fitting
8.	11-655044-000	Line Strainer (200 mesh)
9.	14-100791-000	Conditioner Tank Assembly - complete
10.	11-655082-000	45° Elbow Fitting (3/8 tube x 3/8 stem)
11.	11-655052-000	90° Elbow Fitting (3/8 tube x 3/8 stem)
12.	14-100430-000	Grommet (modified)
13.	14-100437-000	Conditioner Tank Cap
14.	11-655063-000	Straight Fitting (1/8 NPT)
15.	11-655015-000	Straight Fitting (1/8 NPT)
16.	14-100942-000	Liquid Level Sensor
17.	11-655065-000	Pressure Dial (0-6 PSI)
18.	11-655028-000	Swivel Fitting - male (1/4 x 3/8 NPT)
19.	11-696945-000	Sensor Pressure (100 PSI)
20.	14-100580-000	Foam - Conditioner Tank Neck
21.	14-100430-000	Grommet (tank)
22.	11-282003-004	Tubing (3/8 O.D. x 6-1/2")
23.	14-100478-000	Line Strainer Assembly
24.	11-655048-000	Connector Fitting (3/8)
25.	11-655024-000	Line Strainer (40 mesh)
26.	11-655006-000	Fitting (3/4-16 to 3/8 NPT)
27.	14-100802-000	Conditioner/Pump Mounting Bracket
28.	11-006095-000	Button Head Cap Screw (#10-24 x 1-1/4")
29.	14-100755-000	Conditioner Pump w/Fitting Assembly
30.	11-191753-000	Washer (1/4)
31.	11-170005-015	Lock Nut (#10-24)
32.	11-006061-015	Button Head Socket Cap Screw (#8-32 x 3/8")
33.	11-199002-015	Lockwasher - Internal Tooth (#8)
34.	11-655058-000	Tool Holder
35.	11-185257-000	Standoff (#8-32 x 1-1/4")
36.	11-199003-015	Lockwasher - Internal Tooth (#10)
37.	11-199005-001	Lockwasher (1/4)
38.	11-006178-001	Button Head Cap Screw (1/4-20 x 1/2")
39.	11-625600-000	"O" Ring
40.	11-655029-001	Filter
41.	11-655079-091	Compression fitting (3/8 NPT)
42.	11-655007-000	Accumulator Diaphragm
43.	11-655054-000	Straight Fitting
44.	11-655040-000	Swivel Elbow (male)
45.	14-100323-000	Injector
46.	14-100789-000	Conditioner Rail w/Connector Assembly
47.	14-100071-000	Rail - Accumulator
48.	11-655040-000	Fitting (3/8 tube to 3/8 NPT)
49.	11-696944-000	Coolant Temperature Sensor
50.	11-655054-000	Fitting Straight (1/4 x 3/8 NPT)
51.	14-100783-000	24VDC Solenoid Valve Assembly
52.	14-100784-000	24VDC Conditioner Tank Vent Valve
53.	14-100788-000	Conditioner Rail Heater
54.	14-400481-000	Conditioner Filter Assembly

Conditioning Delivery System



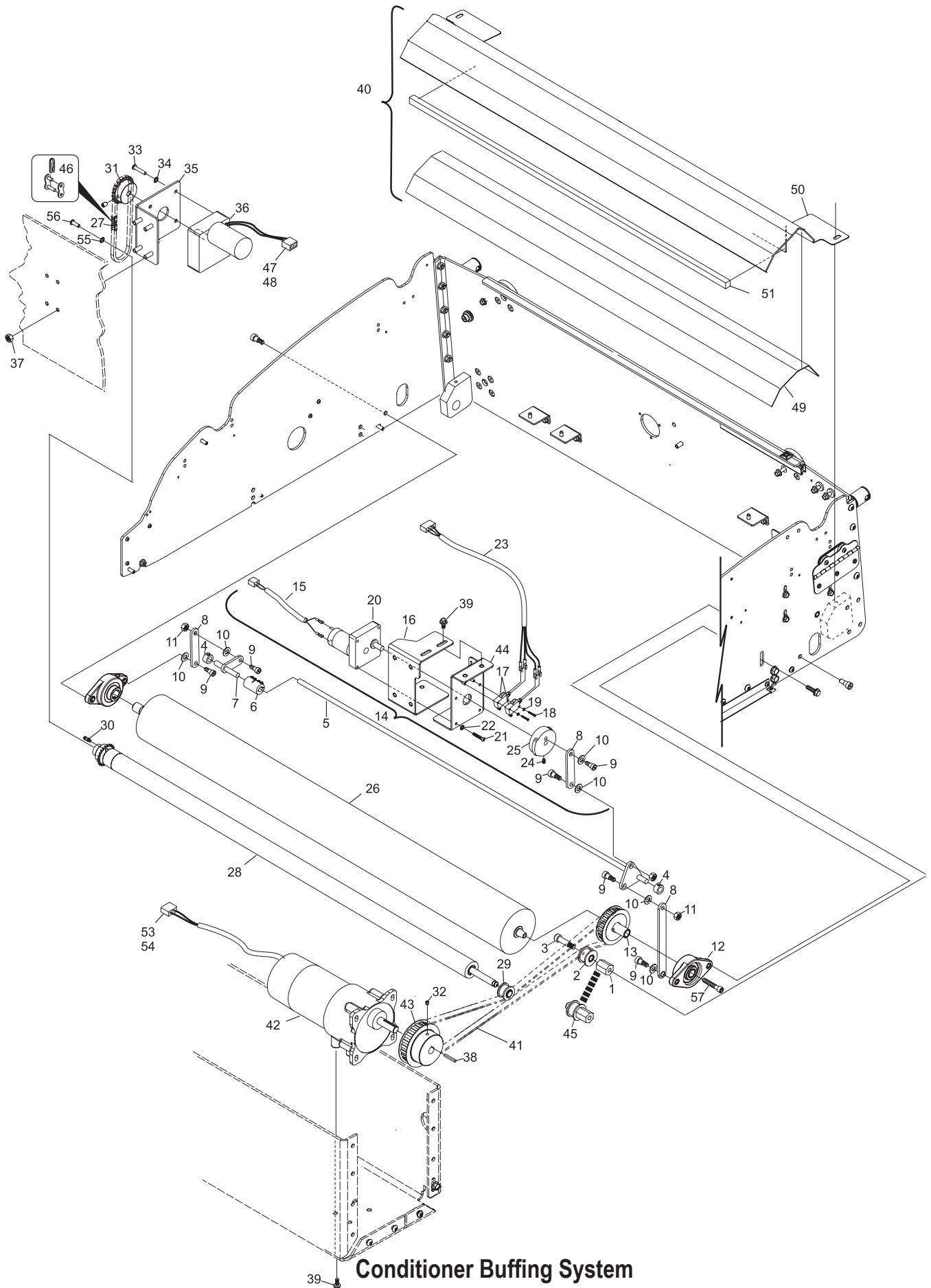
Conditioning Delivery System

Index

No.	Part No.	Description
1.	14-100057-000	Idler Pulley Mount
2.	14-100056-000	Idler Puller Tension Adjuster
3.	11-106554-009	Socket Head Shoulder Screw (5/16-18 x 3/8 Dia. x 1")
4.	11-655032-000	Shaft Collar (3/8")
5.	14-100800-000	Pivot Rod Assembly (long)
6.	14-100311-000	Shaft Coupler (3/8" to 3/8")
7.	14-100315-000	Pivot Rod Assembly (short)
8.	14-100796-000	Up/Down Linkage
9.	11-106550-009	Socket Head Shoulder Screw (5/16-18 x 3/8" Dia. x 3/8")
10.	11-191752-000	Nylon Washer (.390 I.D. x .75 O.D. x .062)
11.	11-125202-015	Nut (5/16-18)
12.	14-100044-000	Flange Mount Bearing Assembly
13.	14-100042-000	Gear belt Pully/Short Shaft Assembly
14.	14-100793-000	Buffer Up/Down Motor Assembly
15.	14-100258-000	Up/Down Motor Cable Assembly
16.	14-100795-000	Buffer up/Down Motor Frame Bracket Assembly
17.	11-616026-000	Switch
18.	11-006010-000	Button Head Cap Screw (#4-40 x 1")
19.	11-199000-015	Internal Tooth Lock Washer (#4)
20.	14-100724-022	Gear Motor w/Connector (Buffer Up Down)
21.	11-006125-000	Button head Socket Cap Screw (#10-32 x 1")
22.	11-199003-015	Internal Tooth (#10) Lockwasher
23.	14-100258-000	Up/Down Switch Cable Assembly
24.	11-105454-000	Set Screw (1/4-28 x 3/8")
25.	14-100729-000	Buffer Up/Down Cam
26.	14-100043-000	Buffer Brush Assembly
27.	11-601010-000	Roller Chain
28.	14-100070-000	Dispersion Roller Assembly
29.	14-100111-000	Dispersion Roller Idler Pulley
30.	14-100202-000	Grease Fitting
31.	11-491104-000	Sprocket - 23 Tooth (3/8" bore)
32.	11-105451-000	Set Screw (#10-32 x 1/4")
33.	11-006125-000	Hex Head Socket Screw (#10-32 x 1")
34.	11-199003-015	Internal Tooth Lockwasher (#10)
35.	14-100762-000	Dispersion Roller Motor Bracket
36.	14-100724-050	Gear Motor w/Connector Assembly (Dispersion Roller)
37.	11-171504-000	Nut (1/4-20)
38.	10-621013-000	Key - Square (1/8" x 1")
39.	11-010782-000	Hex Serrated Head Cap Screw (1/4-20 x 1/2")
40.	14-100434-000	Buffer Brush Shield w/Felt Assembly
41.	11-655073-000	Gearbelt (28.5")
42.	14-100744-000	Buffer Brush Motor w/Connector
43.	14-100747-000	Gear Belt Pulley - 24 Teeth
44.	14-100794-000	Buffer Cam and Switch Bracket
45.	14-100567-000	Buffer Belt Tensioner Pulley
46.	11-600010-000	Chain Link
47.	11-680302-000	Terminal - Pin
48.	11-680116-000	Connector Housing
49.	14-100433-000	Buffer Shield Felt
50.	14-100426-000	Buffer Shield Guard
51.	14-100427-000	Buffer Shield Drip Foam
52.	*14-100557-000	Buffer Shield HP V-Shape Drip Foam
53.	11-696701-000	Connector Housing
54.	11-696736-000	Terminal
55.	11-199005-015	Lockwasher (1/4)
56.	11-006221-000	Screw (1/4-28 x 3/4")
57.	11-005308-000	Hex Socket Head Cap Screw (5/16-24 x 1-3/4")

* Not Illustrated

Conditioner Buffing System



Conditioner Buffing System

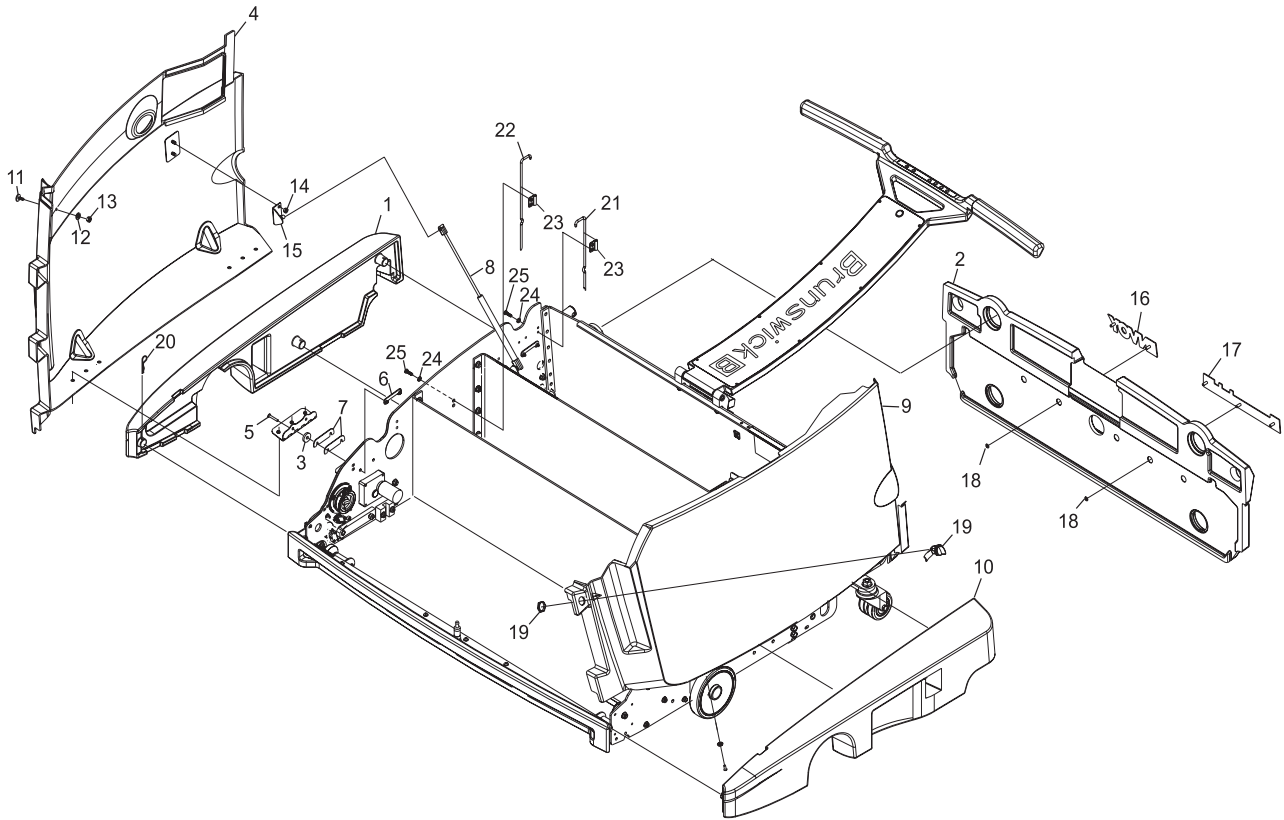
Intentionally Blank Page

Section D

Cover & Handle System

No.	Index Part No.	Description
1.	14-100738-000	Side Cover (right-hand)
2.	14-100736-000	Rear Cover
3.	11-192028-000	Spacer(nylon)
4.	14-100742-002	Top Cover Assembly (right-hand)
5.	11-006127-000	Button Head Cap Screw (#10-32 x 1-1/4")
6.	14-100312-000	Hinge Nut Plate
7.	14-100373-000	Shim
8.	11-210008-000	Gas Spring (10lb. force)
9.	14-100740-002	Top Cover Assembly (left-hand)
10.	14-100737-000	Side Cover (left-hand)
11.	14-100358-000	Magnet Catch Plate
12.	11-190006-015	Flat Washer (#10)
13.	11-170006-015	Locknut (#10-32)
14.	11-170004-015	Locknut (#8-32)
15.	11-210007-000	Gas Spring Bracket
16.	14-100922-000	Envoy Logo
17.	53-860648-000	Brunswick Logo
18.	11-532004-009	External Retaining Ring
19.	11-112201-000	Latch
20.	11-054301-015	Cover Pin (front)
21.	14-100875-001	Cover Pin (rear)
22.	14-100875-002	Cover Pin (middle)
23.	14-100876-000	Cover Pin (guide)
24.	11-199002-015	Lockwasher (#8)
25.	11-006063-009	Button Head Cap Screw (#8-32 x 1/2")

Hood System

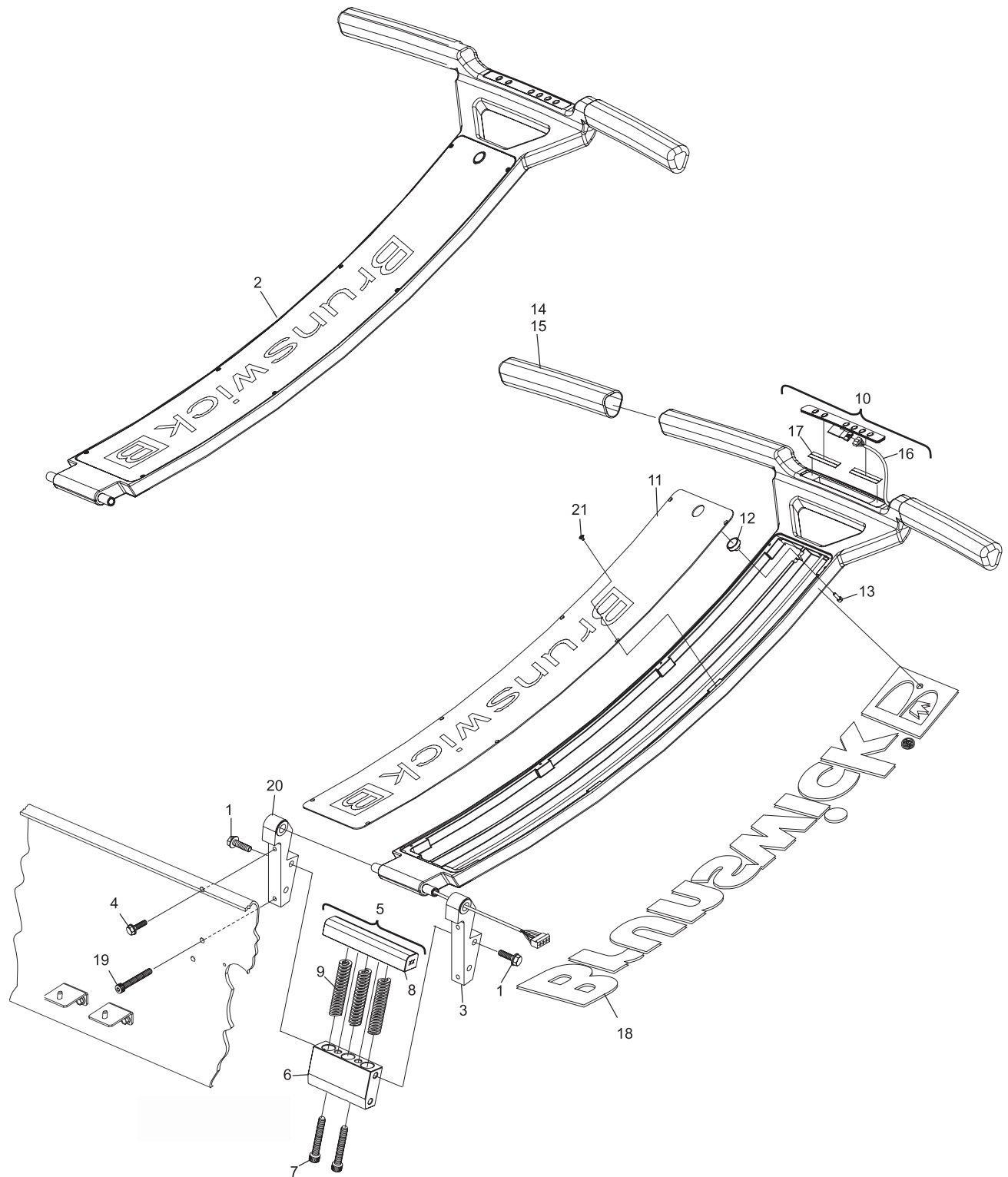


Hood System

Index

No.	Part No.	Description
1.	11-010789-000	Hex Head Serrated Flange Screw (5/16-18 x 1-1/4")
2.	14-100132-001	Handle w/Cover plate Assembly
3.	14-100134-002	Handle Hinge Bracket (left hand)
4.	11-010783-000	Hex Head Serrated Flange Screw (5/16-18 x 3/4")
5.	14-100543-000	Over Travel Block Assembly
6.	14-100142-000	Over Travel Block (lower)
7.	11-005353-015	Socket Head Cap Screw (3/8-16 x 2-1/4")
8.	14-100141-000	Over Travel Block (upper)
9.	11-581050-000	Spring
10.	14-100393-000	Handle Keypad Assembly
11.	14-100376-001	Handle Cover Plate
12.	11-637202-000	Magnet
13.	11-004996-000	Socket Head Cap Screw (M4 x 12 mm)
14.	14-100012-002	Handle Grip (left hand)
15.	14-100012-001	Handle Grip (right hand)
16.	14-100186-091	Handle Keypad to GUI Cable Assembly
17.	84-200297-000	Double Sided Adhesive Foam Tape
18.	14-100415-001	Raised Brunswick Decal
19.	11-005272-015	Socket Head Cap Screw (5/16-18 x 2")
20.	14-100134-001	Handle Hinge Bracket (right hand)
21.	11-084222-015	Flat Head Self Tapping Screw (#4-40 x 1/4")

Handle System



Handle System

Intentionally Blank Page

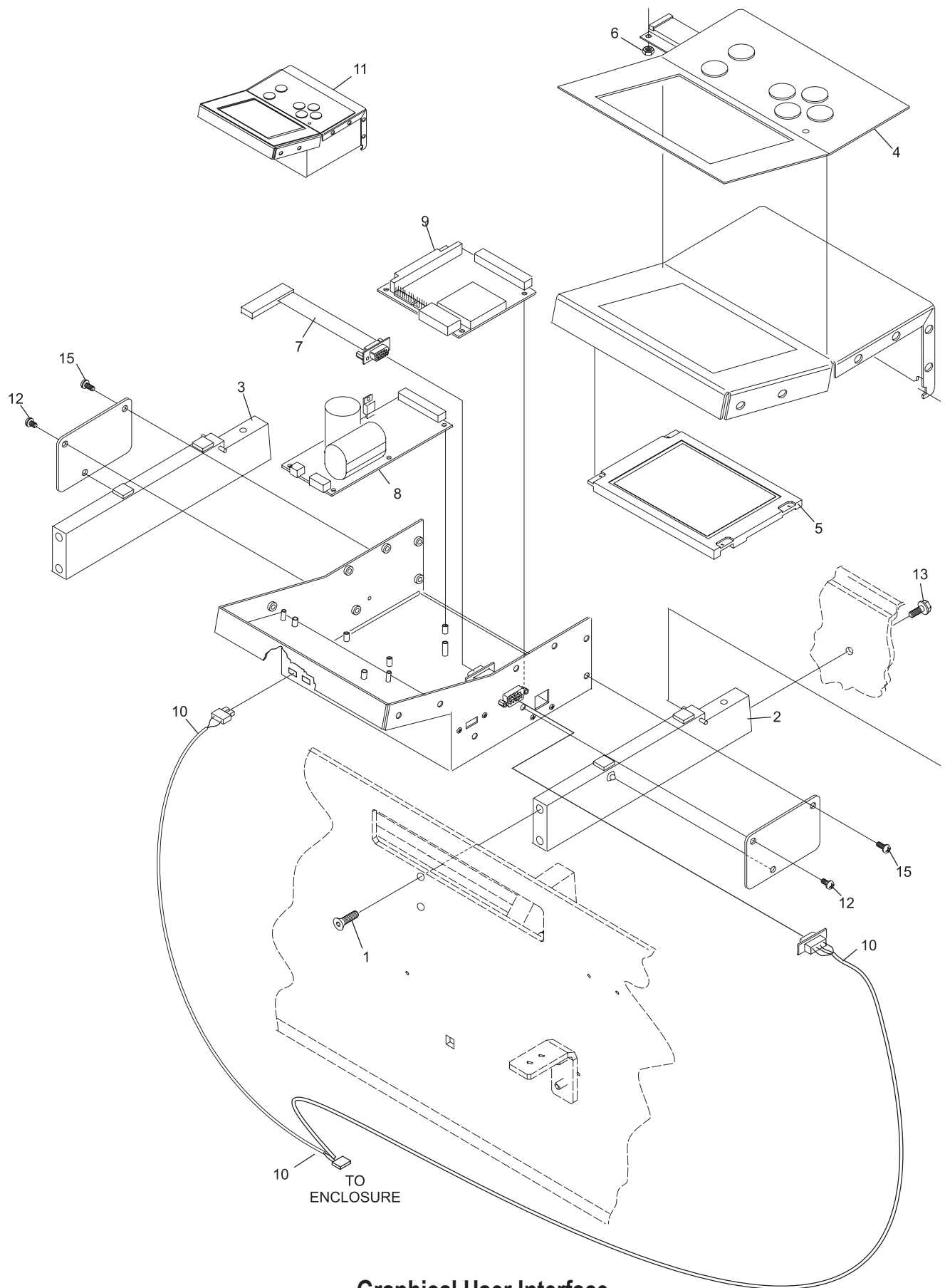
Section E

Electrical System

Index No.	Part No.	Description
1.	11-007180-015	Flat Head Socket Cap Screw (1/4-20 x 5/8")
2.	14-100441-001	GUI Support Assembly (left hand)
3.	14-100441-002	GUI Support Assembly (right hand)
4.	14-100357-000	GUI Keypad
5.	14-100176-000	GUI LCD
6.	11-176-005015	Keys Nut (#6-32)
7.	14-100853-000	Com 1 Ribbon Cable Assembly
8.	14-100177-000	UPS PCB
9.	14-100857-400	GUI PCB
10.	14-100812-000	GUI Power/Communications Cable Assembly
11.	14-100842-400	Graphics User Interface
12.	11-012056-015	Pan Head Socket Screw (#8-32 x 1/4")
13.	11-010783-000	Hex Head Serrated Flange Screw (5/16-18 x 3/4")
14.	11-012057-015	Pan Head C.R. Screw (#8-32 x 1/4")
15.	*14-860246-000	Pkg. Emergency Run Display

* Not Illustrated

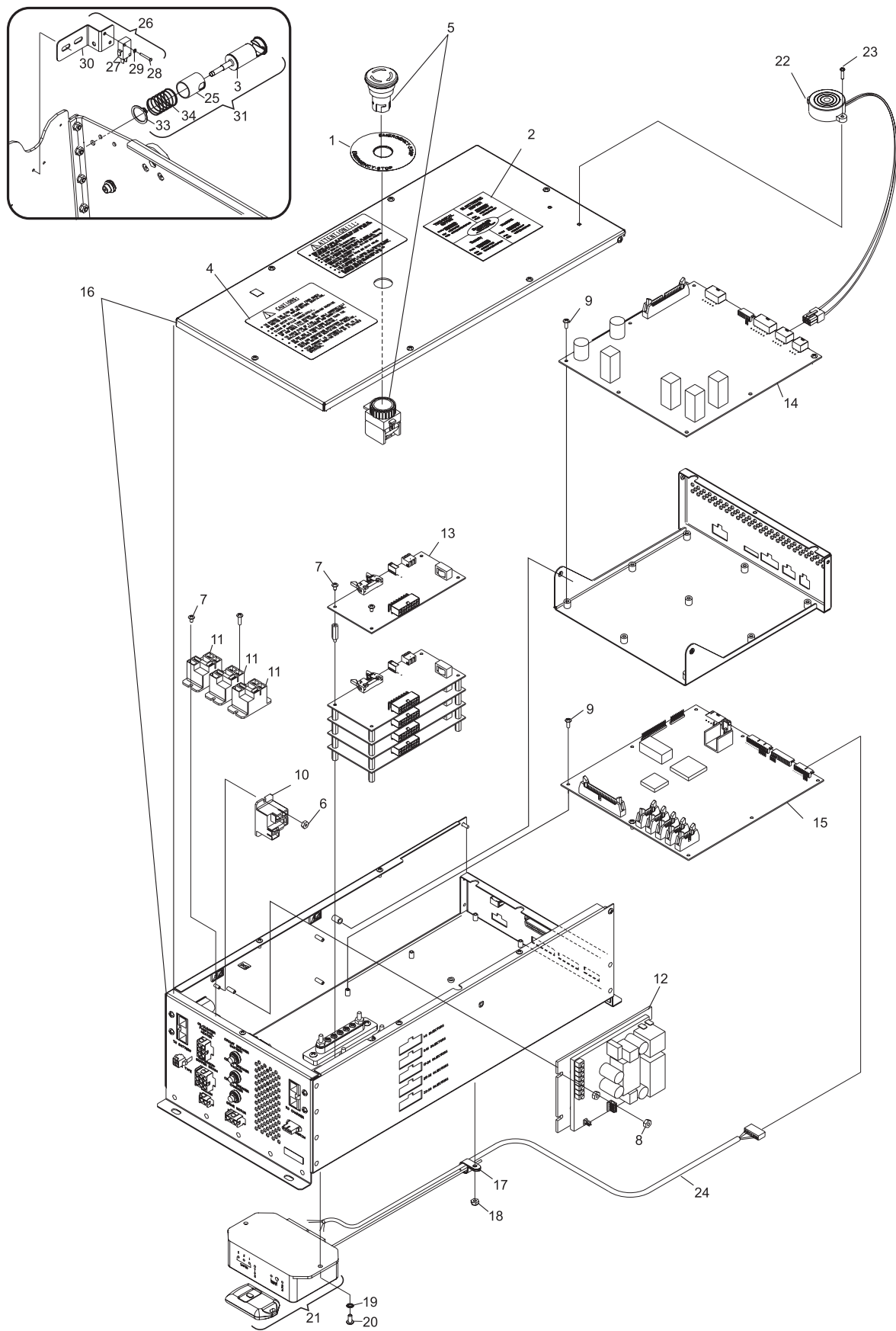
Graphical User Interface



Graphical User Interface

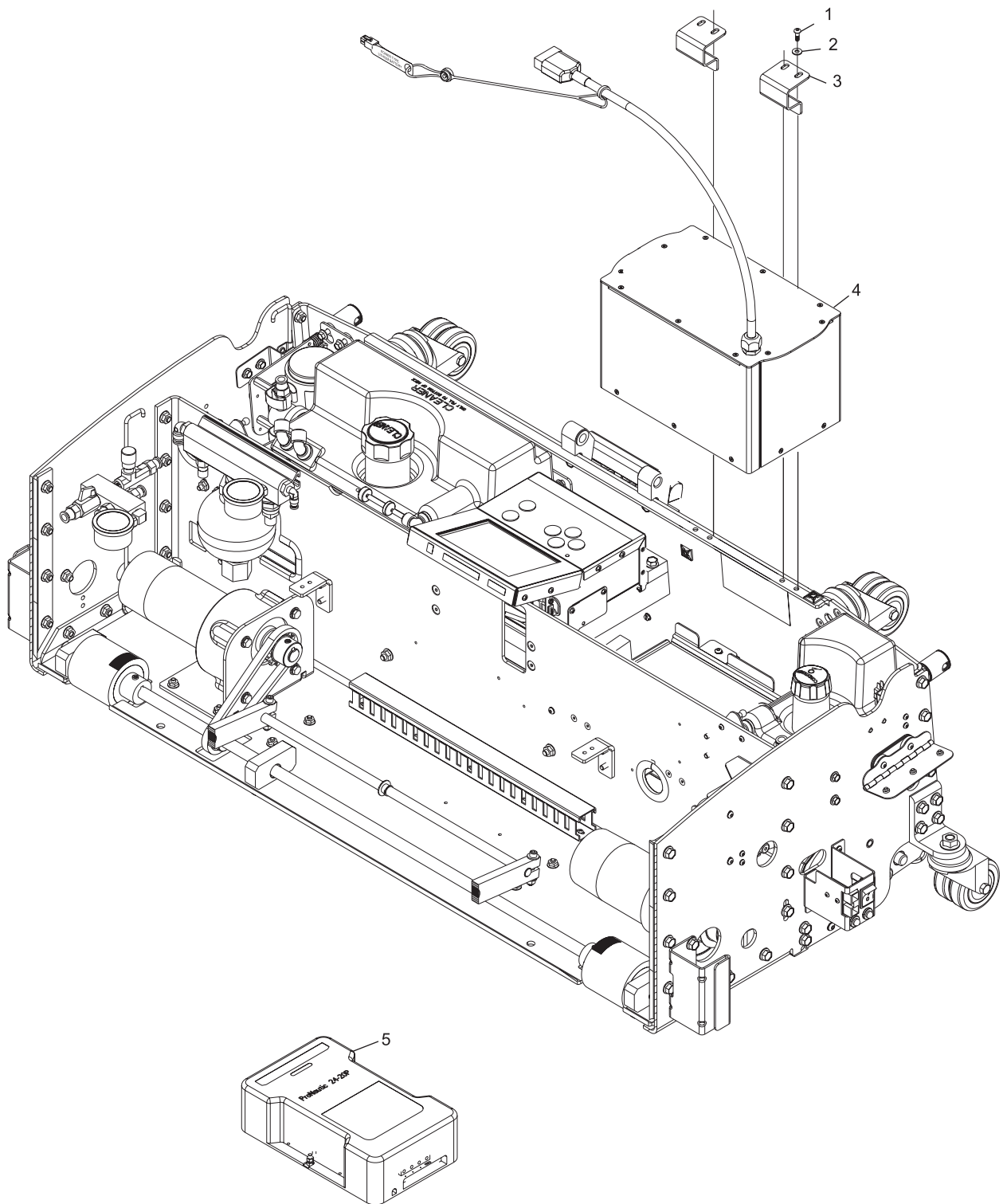
Index No.	Part No.	Description
1.	11-900717-000	Decal - Emergency Stop
2.	14-100450-000	Decal - CRC and Warranty Contact
3.	11-581012-000	Spring
4.	14-100146-000	Decal - Cautions and Warnings
5.	14-100838-000	Emergency Stop Assembly, DC Lane Machine
6.	11-176005-001	Keps Nut (#6-32)
7.	11-012020-001	Screw Pan Head C.R. Int. (#6-32 x 1/4).
8.	11-176007-001	Keps Nut (#8-32)
9.	11-012022-001	Screw Pan Head C.R. (#6-32)
10.	11-672528-000	Power Relay (T9A)
11.	11-696006-000	Thermal Circuit Breaker (25 AMP)
12.	14-100822-000	Motor Control, Variable Speed, Battery Power
13.	14-100583-000	V3.0 Injector Driver Board - Assembly
14.	14-100610-000	Motor Controller PCB, 24V LM
15.	14-100750-400	DC Lane Machine, Controller PCB - Assembly
16.	14-100775-400	Electrical Control Enclosure
17.	11-603142-000	Cable Clamp (7/16")
18.	11-170002-015	Locknut (#6-32)
19.	11-199002-015	Internal Tooth Lockwasher (#8)
20.	11-006061-015	Button Head Hex Cap Screw (#8-32 x 3/8")
21.	14-100907-000	Remote Stop Receiver and Controller
22.	14-100945-000	Audio Bleep Indicator - Assembly
23.	11-012006-015	Screw w/Lockwasher (#4-40 X 1/2")
24.	14-100932-000	DC Controller PCB Remote Receiver Cable
25.	14-100160-000	Cord Kill Switch Sleeve
26.	14-100162-000	Cord Kill Switch Assembly
27.	11-616031-000	Switch
28.	11-006007-000	Button Head Cap Screw (#4-40 x 5/8")
29.	11-170000-015	Nut (#4-40)
30.	14-100161-000	Switch Bracket
31.	14-100267-000	Cord Kill Stud Assembly
32.	14-100159-000	Cord Kill Switch
33.	11-530031-015	Retaining Ring (external)

Electrical Enclosure



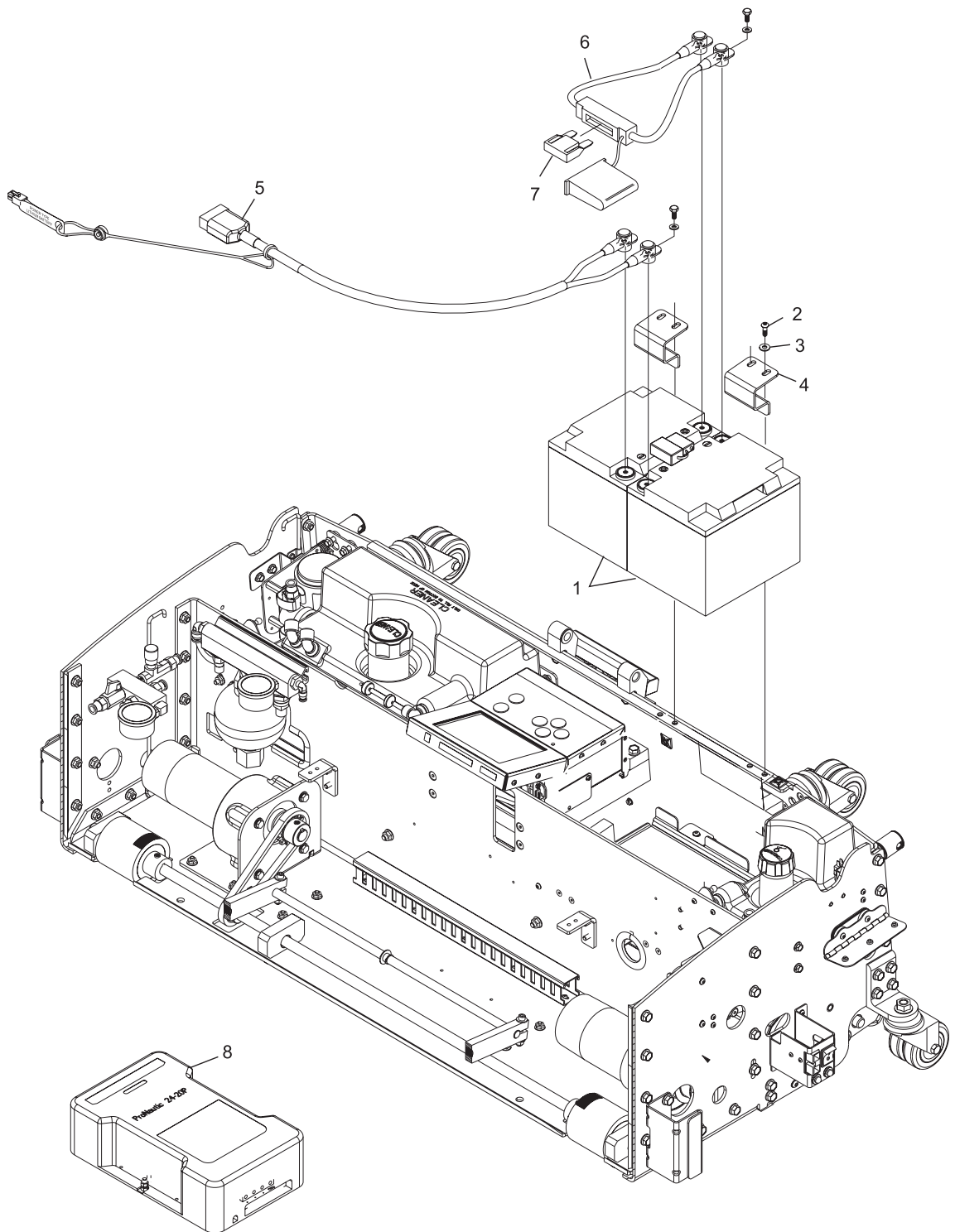
Electrical Enclosure

Index No.	Part No.	Description
1.	11-006120-015	Screw (#10-32 X 5/8")
2.	11-190006-015	Plain Washer (#10)
3.	14-100893-000	Battery Clamp
4.	14-100957-002	Lithium Battery Cable W/Jumper Assembly
5.	14-100924-115	Battery Charger (115V)
	14-100924-230	Battery Charger (230V)



Lithium Power

Index No.	Part No.	Description
1.	R8-040000-000	Battery - 12 VDC AGM (pair 2)
2.	11-006120-015	Screw (#10-32 X 5/8")
3.	11-190006-015	Plain Washer (#10)
4.	14-100753-000	Battery Clamp - AGM
5.	14-100957-003	AGM Battery Cable w/Jumper Assembly
6.	14-100931-000	In-Line Fuse Assembly
7.	11-685134-000	Fuse (40 AMP Maxi Fuse)9
8.	14-100924-115	Battery Charger (115V)
	14-100924-230	Battery Charger (230V)

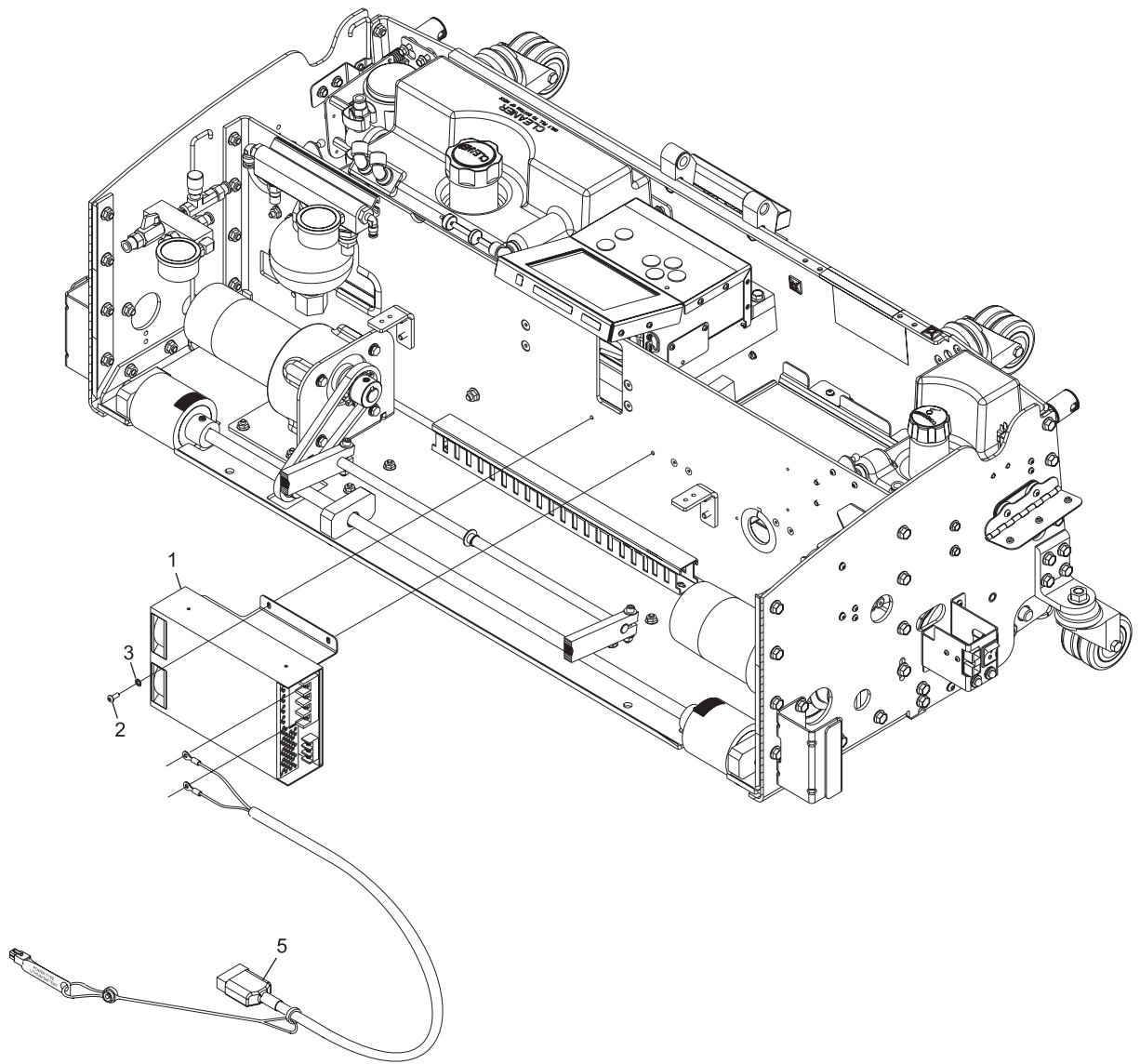


AGM Power

Index No.	Part No.	Description
1.	14100948000	AC/DC Power Supply and Mount Bracket Assembly
2.	11-006118-015	Button Head Screw (#10-32 X 1/2")
3.	11-199003-015	Internal Tooth Lockwasher (#10)
4.	*14-100887-000	Input Power To DC Power Cable Assembly
5.	14-100957-001	AC/DC Power Supply W/Jumper Cable Assembly

** Not Illustrated*

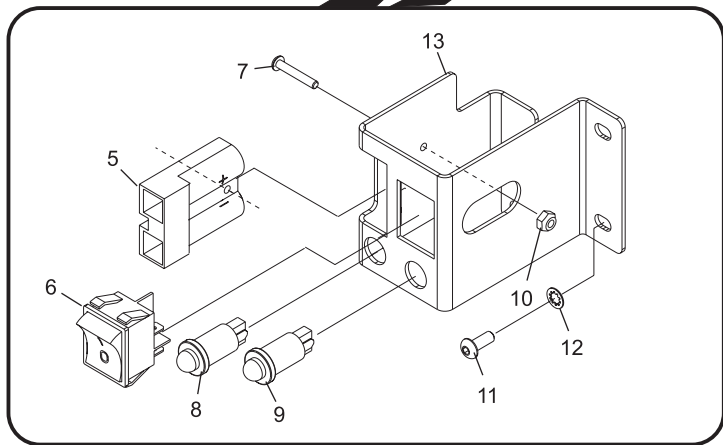
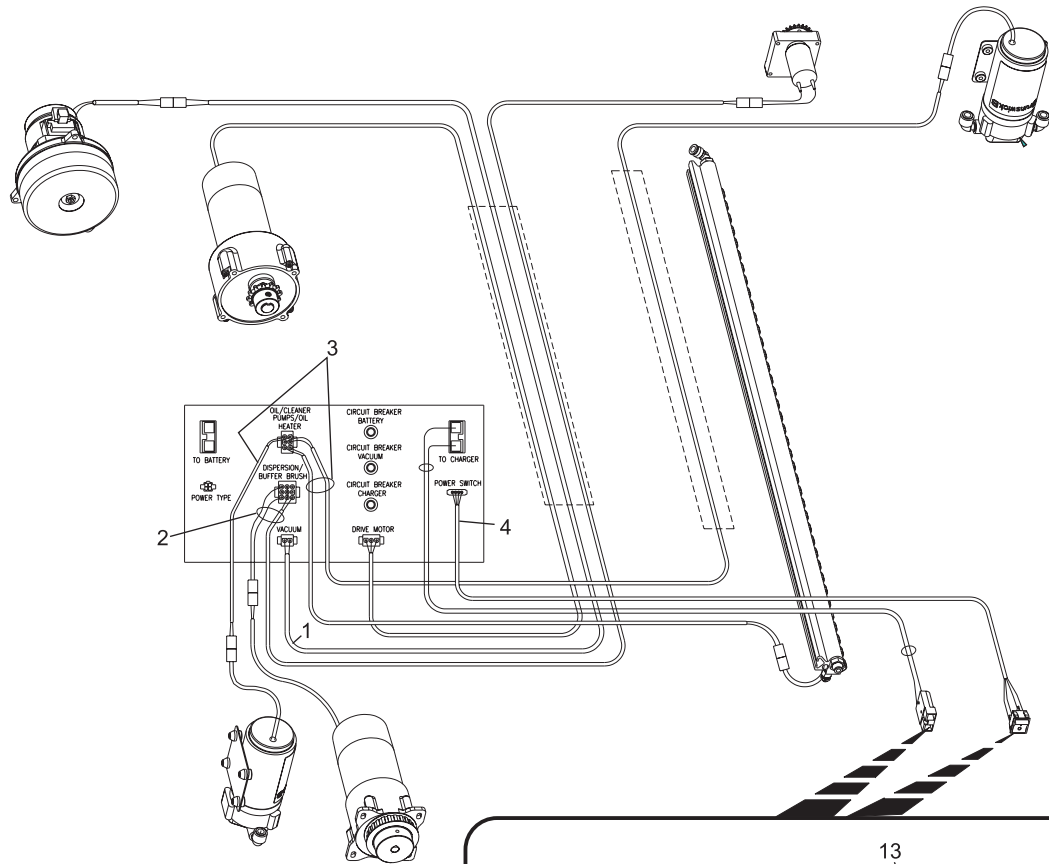
AC/DC Power



AC/DC Power

Index No.	Part No.	Description
1.	14-100813-000	Vacuum Motor (DC) Cable Assembly
2.	14-100885-000	Dispersion/Buffer Brush Cable Assembly
3.	14-100886-000	Oil/Cleaner Pumps/Oil Heater Cable Assembly
4.	14-100891-000	Power Switch Cable Assembly
5.	14-100815-000	DC Charging Port Cable Assembly
6.	11-615189-000	Rocker Switch
7.	11-006045-015	Button Head Cap Screw (#10-32 x 1/2")
8.	11-680045-000	LED, Red (12V)
9.	11-680046-000	LED, Green (12V)
10.	11-170020-015	Locknut (#6-32)
11.	11-006118-015	Button Head Cap Screw (#10-32 x 1/2")
12.	11-199003-015	Button Head Cap Screw (#10-32 x 1/2")
13.	14-100847-000	Charging Port Indicator Lights Bracket

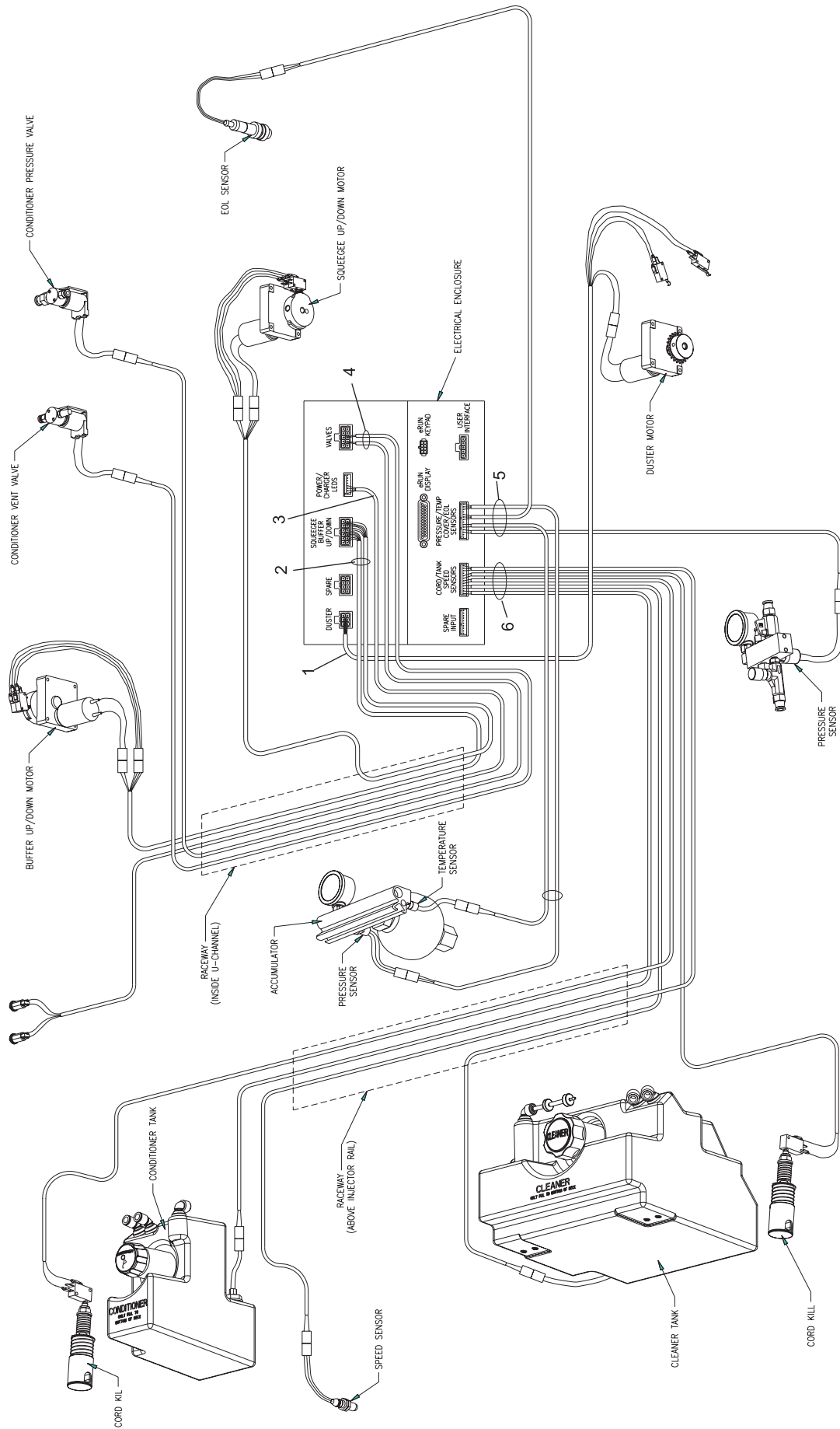
Electronic Enclosure - Left Side Video - Cable Assemblies



Electronic Enclosure - Left Side Video - Cable Assemblies

Index No.	Part No.	Description
1.	14-100884-000	Duster Motor Cable Assembly
2.	14-100883-000	Squeegee/Buffer Up Down Cable Assembly
3.	14-100927-000	Power/Charger LEDs Cable Assembly
4.	14-100846-000	Conditioner Vent/Pressure Valves Cable Assembly
5.	14-100811-000	Temperature/Pressure/EOL Sensors Cable Assembly
6.	14-100810-000	Float/ Cord Kill/ Speed Sensor Cable Assembly

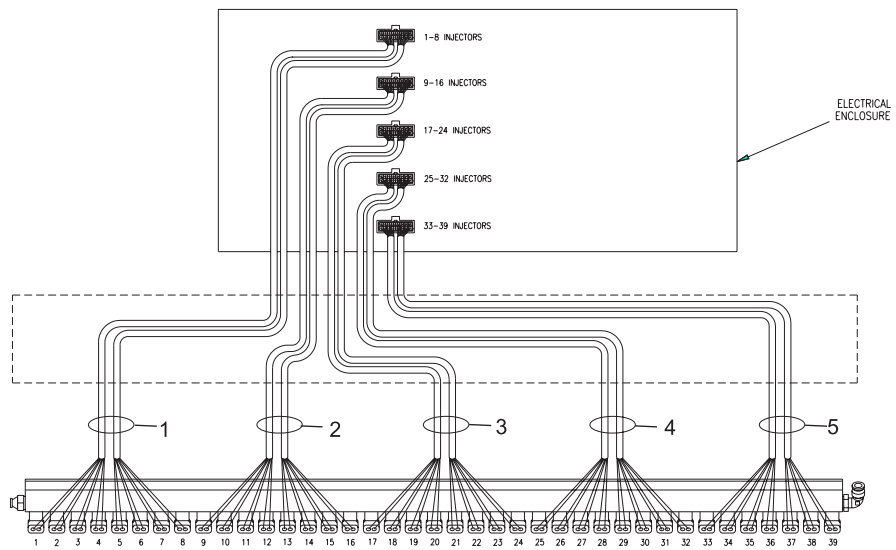
Electronic Enclosure - Right Side Video - Cable Assemblies



Electronic Enclosure - Right Side Video - Cable Assemblies

Index No.	Part No.	Description
1.	14-100834-001	1-8 Injectors to Board Cable Assembly
2.	14-100834-002	9-16 Injectors to Board Cable Assembly
3.	14-100834-003	17-24 Injectors to Board Cable Assembly
4.	14-100834-004	25-32 Injectors to Board Cable Assembly
5.	14-100834-005	33-39 Injectors to Board Cable Assembly

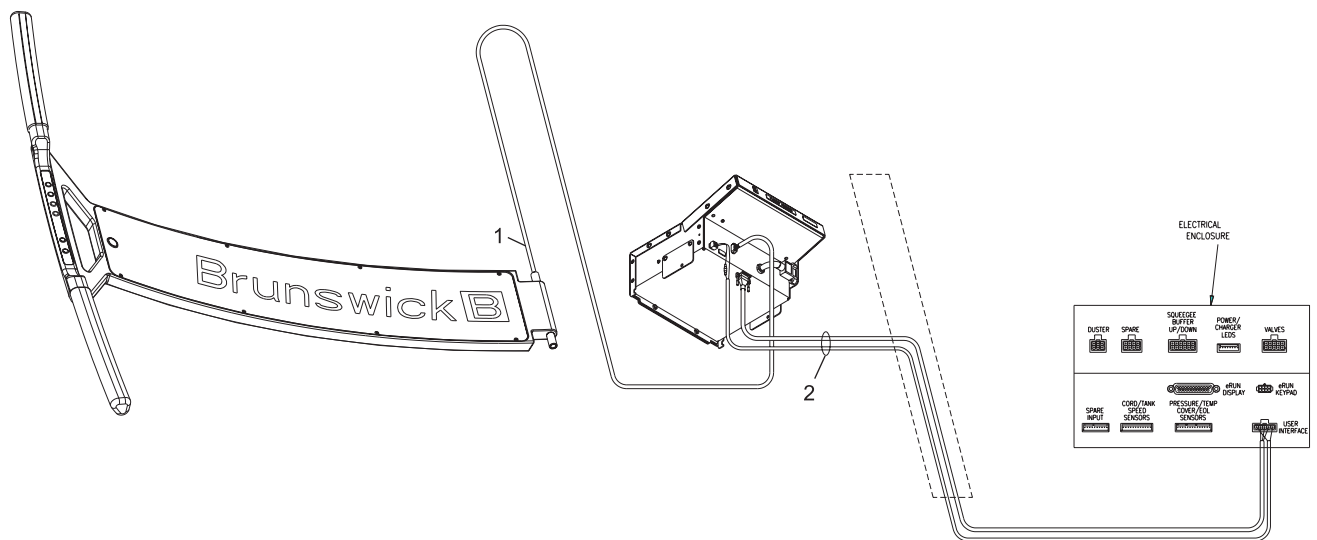
Electronic Enclosure - Rear View - Cable Assemblies



Electronic Enclosure - Rear View - Cable Assemblies

Index No.	Part No.	Description
1.	14-100186-091	Lane Machine keypad Board Cable Assembly
2.	14-100812-000	User Interface (GUI) Communications Cable Assembly

Electronic Enclosure - Handle and GUI - Cable Assemblies

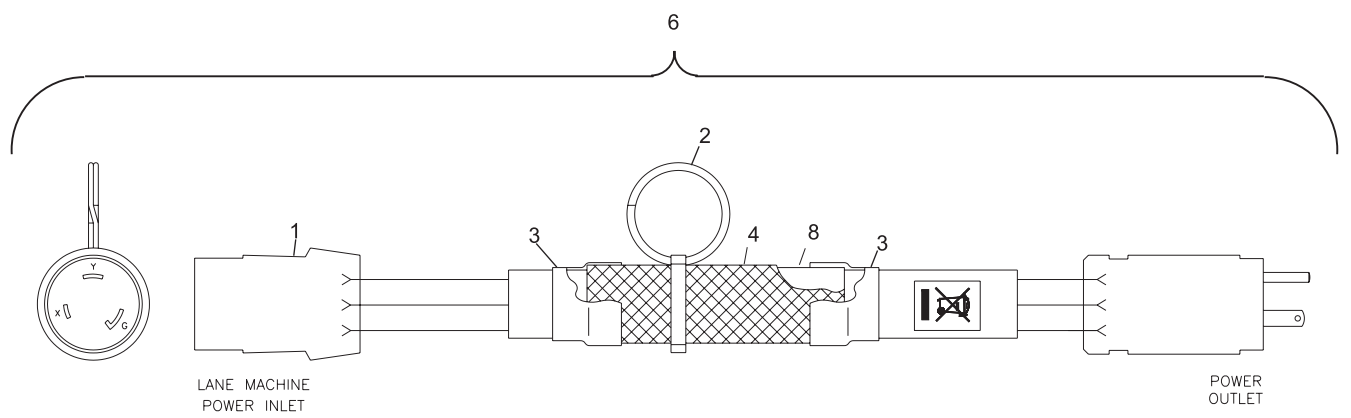


Electronic Enclosure - Handle and GUI - Cable Assemblies

Index

No.	Part No.	Description
1.	11-696749-000	Twist-Lock Connector (250V)
2.	11-603135-000	Split Ring (1.159 I.D.)
3.	11-617079-000	Heat Shrink (6")
4.	11-617076-001	Braided Sleeving
5.	11-617077-002	Heat Shrink (40")
6.	14-860208-024	Envoy Power Cord (115V)
	14-860208-224	Envoy Power Cord (240V)

Power Cord



Power Cord

Intentionally Blank Page

Section F

Miscellaneous

Index

No.	Part No.	Description
1.	14-860214-000	Pkg-Fuse, 4.0A, 250V Slow 5 mm x 20 mm
2.	14-860242-000	Pkg- Fuse, 20A, 250V Slow, 5 mm x 20 mm
3.	14-860216-000	Pkg- Fuse, 10A, 250V Slow, 5 mm x 20 mm
4.	11-685134-000	Fuse, 40A, Maxi
5.	14-860218-000	Pkg- Fuse 6.3A, 250V Slow, 5 mm x 20 mm
6.	14-860219-000	Pkg-Fuse, 1.25A, 250V Slow, 5 mm x 20 mm
7.	11-112134-000	Tool - Dual Fuse Remover
8.	57-901001-000	Uni-Mate Extraction Tool (.093)
9.	57-900102-000	Molex Round Extractor (.062)
10.	57-900104-000	AMP Extractor #18040301 (1 Round)
11.	57-900112-000	Molex Mini-Fit Extraction Tool
12.	57-901002-000	Molex Micro-Fit 3.0 Extraction Tool
13.	11-696736-000	Pins (Uni-Mate)
14.	11-696737-000	Sockets (Uni-Mate)
14.	11-680302-000	Pkg. of 10 Pins (.062)
16.	11-680301-000	Pkg. of 20 Sockets (.062)
17.	11-680316-000	Sockets (Micro-Fit 3.0)
18.	11-692091-000	Pkg of 10 Sockets (Mini-Fit Jr)
19.	11-612153-000	Fast-ons (.250)
20.	11-680328-000	Terminals (.156 kk)
21.	57-900103-000	Crimp Service Tool
22.	11-680309-000	Brass Terminal Loose (.062)

Fuses/ Extraction Tools/ Pins & Sockets

Index

No.	Part No.	Description
1.	11-655043-006	Tube (3/8" OD x .295 ID x 20')
2.	11-655013-010	Tube (1/4" OD x .170 ID x 20')
3.	11-655039-007	Cleaner Vent Tube (1/4" OD x 20')
4.	14-100092-000	Gage (Depth, Squeegee/Buffer Brush)
5.	11-112132-000	Long T-Handle Allen Wrench (1/4")
6.	11-112133-000	Screwdriver (#2 Phillips 10" Shank)
7.	11-112135-000	Open End Wrench (11/32, 12Pt 4.84" L)
8.	11-676691-000	Loctite Plastic Pipe Sealant (80726)
9.	11-676692-000	Loctite Metal Pipe (#567)
10.	11-676693-000	Loctite Threadlocker (#262 Red 10MI)
11.	11-676696-000	Loctite Threadlocker (#242 Blue 10MI)
12.	11-900080-000	Teflon Tape (Tread Seal 1/2X260")
13.	14-860245-000	Pkg.- AC Input Adapter Kit G.U.I.
14.	14-860209-000	Pkg.- Cleaning Mixing Vessel No Spill
15.	14-860247-000	Pkg.- Spare Parts Kit
16.	14-900101-000	Envoy Operator's Manual

Tubing/Tools/Miscellaneous