



---

# PRODUCT SPECIFICATION GUIDE





# BEAUTIFUL FUNCTIONAL EASY TO INSTALL

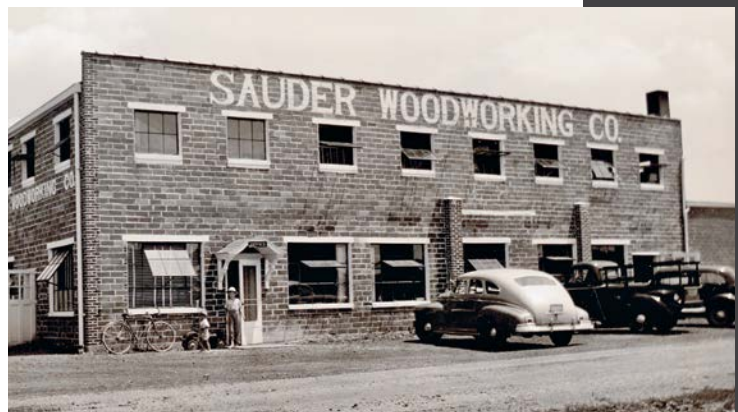
## **ECO-FRIENDLY**

*Sauder was founded on the principles of stewardship and servanthood. Three generations later, our family continues to honor these values with environmentally responsible processes that endeavor to preserve the future of our world. Sauder Cabinetry is no exception – manufactured in the US with integrity and craftsmanship.*

# TABLE OF CONTENTS

<b>04.</b>	<b>WHY CHOOSE SAUDER</b>	<b>29.</b>	<b>OVEN CABINETS</b>
<b>05.</b>	<b>DETAILS</b> Design and Ordering KCMA Tested	<b>30.</b>	<b>LINEN CABINETS</b>
<b>06.</b>	<b>CABINET SPECS</b>	<b>31.</b>	<b>UTILITY CABINETS</b>
<b>09.</b>	<b>CONSTRUCTION SPECS</b>	<b>32.</b>	<b>VANITY CABINETS</b> Vanity Sink Base / Double Door Vanity Sink Drawer & Door Base Vanity Sink Drawer Base Vanity Base Vanity Drawer Base Combo Vanity Cabinets
<b>10.</b>	<b>CABINET DIMENSIONS</b>	<b>36.</b>	<b>CABINETS ONLY</b> No Fronts Option
<b>12.</b>	<b>BASE CABINETS</b> Base Base Double Door Base Full Height Door Base Full Height Double Door Drawer Base / Knee Base Tray Base / Sink Base Microwave Base / Easy Reach Corner Base Blind Corner Base	<b>36.</b>	<b>ADA COMPLIANT CABINETS</b>
<b>18.</b>	<b>WALL CABINETS</b> Wall 12" High Wall 15" High Wall 18" High Wall 21" High Wall 24" High Wall 30" High Single Door / Double Door Wall 36" High Single Door / Double Door Wall 42" High Single Door / Double Door Blind Wall Wall Diagonal Cabinet Wall Microwave Cabinet	<b>40.</b>	<b>ACCESSORIES</b>
		<b>47.</b>	<b>MODIFICATIONS</b>
		<b>48.</b>	<b>CARE &amp; CLEANING</b>
		<b>49.</b>	<b>INSTALLATION</b>
		<b>50.</b>	<b>WARRANTY</b>

# WHY CHOOSE SAUDER?



## ABOUT OUR COMPANY

For over 85 years, we've been making furniture with the same integrity, craftsmanship, and care. Sauder is a family owned (third-generation) company based in Archbold, Ohio. With some of the most technologically advanced equipment in the world, our facility (located on the same site pictured above circa 1937) features nearly 4 million square feet of manufacturing space, 1.2 million square feet of warehouse space, and employs about 2,000 workers. We pride ourselves on excellent customer service and fast turn-around time – only a 14 day lead time on standard cabinets.

# SAUDER CABINETS DETAILS

---



## DESIGN

Sauder Cabinetry can be priced and designed in the industry-leading 2020 Design software. Visit [saudercabinetry.com](http://saudercabinetry.com) to download our 2020 Design catalog. *2020 Design License required for use.*



ANSI/KCMA A161.1



KITCHEN CABINET MANUFACTURERS ASSOCIATION.  
ENVIRONMENTAL STEWARDSHIP PROGRAM (ESP).  
ALL PRODUCTS IMPACT THE ENVIRONMENT  
FOR ESP PROGRAM CRITERIA, VISIT [KCMA.ORG](http://KCMA.ORG)

## KCMA TESTED

KCMA does your homework for you. Our cabinets passed the toughest tests of durability and performance in the marketplace today and have earned the prestigious KCMA Certification Seal.

## KCMA ENVIRONMENTAL STEWARDSHIP CERTIFICATION

At Sauder, we support and encourage responsible forest management practices that promote sustainability and result in long-term economic and environmental benefits. The KCMA Environmental Stewardship Certification proves our commitment to the intelligent use of our natural resources.

## ORDERING

### ONLINE DEALER PORTAL

Sauder's online Dealer Portal allows customers to place orders, track shipments, lookup invoices, download our 2020 Design catalog, and other marketing and specification details. New customers will be given a login at the time accounts are setup.

### SET UP AN ACCOUNT

Work with your local sales rep or contact us at [saudercabinetry@sauder.com](mailto:saudercabinetry@sauder.com) or **(419) 446-3429** to set up an account.

### EMAIL ORDERS

Email [saudercabinetry@sauder.com](mailto:saudercabinetry@sauder.com). Email orders can be accepted 24 hours a day; however, email orders received after 3:00PM will not be processed until the next business day.

When submitting email orders, Sauder Cabinetry prefers the following formats:

- 20/20 generated CSV output
- Provided Microsoft Excel® form

### FAX ORDERS

Fax orders to (419) 446-4911.

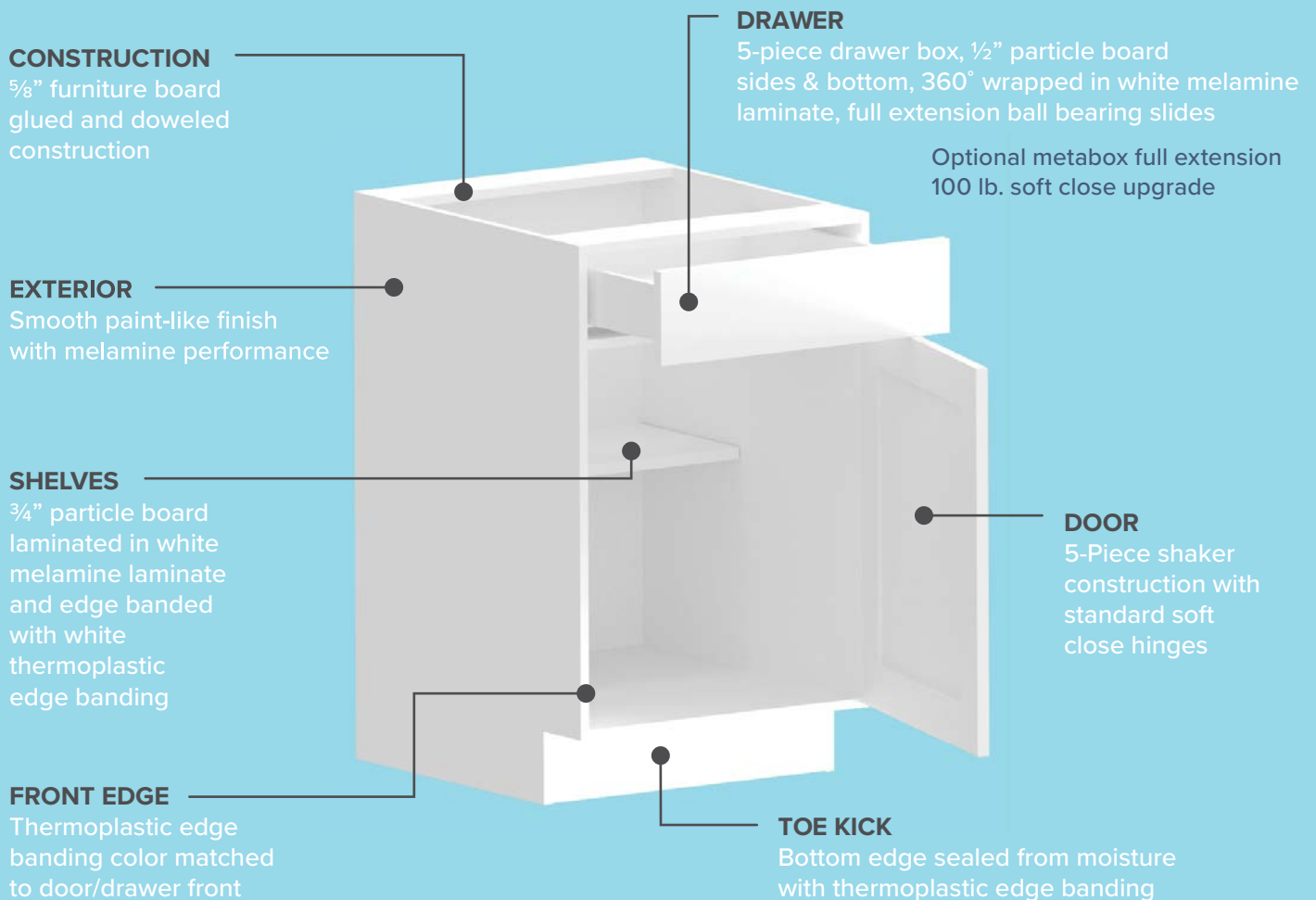
## SHIPPING

Cabinets ship fully assembled and ready for install. Freight can be arranged by the customer or by Sauder Cabinetry.

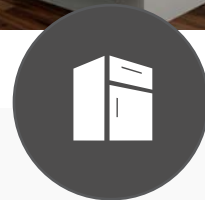
# HIGH QUALITY CABINETS

We took more than 85 years of manufacturing and furniture experience and developed a high quality, full access cabinet with premium details not found in other similarly priced cabinets. This means more finished edges, fewer visible seams, and a smooth topcoated laminate finish with the appearance of a painted cabinet. In addition, KCMA's rigorous, in-laboratory compliance program measures the integrity of our cabinets through tests covering cabinet structure, door and drawer operation, and cabinetry finish.

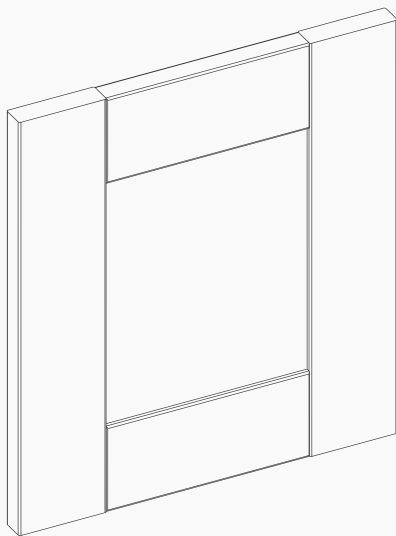
## CABINET DETAILS







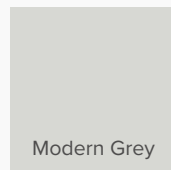
## SHAKER DOOR OPTIONS



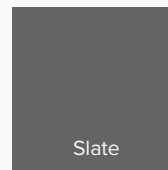
All doors feature 5-piece shaker construction and are made from MDI MDF substrate, making them moisture resistant and durable. Door and drawer fronts are 360° wrapped with melamine laminate.



Glacier White



Modern Grey



Slate

Extended Lead Time

## STANDARD CABINET DIMENSIONS

<b>WALL CABINETS</b>	12" Depth	12" / 15" / 18" / 21" / 30" / 36" / 42" Height
<b>BASE CABINETS</b>	24" Depth	34 ½" Height
<b>LINEN CABINETS</b>	21" Depth	84" Height
<b>UTILITY CABINETS</b>	24" Depth	84" / 90" / 96" Height
<b>VANITY CABINETS</b>	21" Depth	34 ½" Height

# COLOR

GLACIER WHITE



SLATE

Extended Lead Time



MODERN GRAY



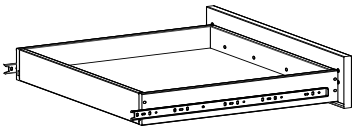
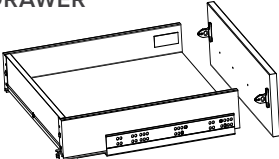


# CONSTRUCTION SPECIFICATIONS

## FRAMELESS CONSTRUCTION

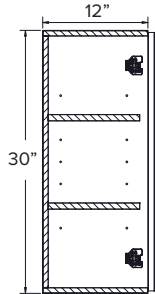
All cabinets are frameless, with full access and full overlay styling. Panels and rail components are joined with engineered dowels, glue, screws or a combination of those components appropriate to the typical use of the cabinet. All frameless case construction is made from commercial grade furniture board with laminated, water resistant surfaces.

CABINET CONSTRUCTION	
Back	5/8" furniture board; melamine laminate
Side Panels	5/8" furniture board; melamine laminate exterior and front edge color matched to door, white interior
Top/Bottom	5/8" furniture board; melamine laminate exterior and front edge color matched to door, white interior
Stretcher	5/8" furniture board; melamine laminate
Toe Kick	5/8" furniture board; melamine laminate
Shelves	Half depth adjustable 3/4" furniture board; melamine laminate
Hinges	6 way adjustable, fully concealed soft close steel hinges
Interior	White melamine laminate finish

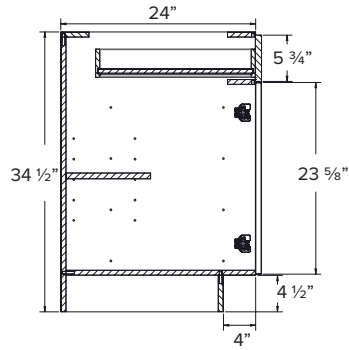
DRAWER CONSTRUCTION		
	STANDARD DRAWER	UPGRADED DRAWER
		
Guides	Full extension ball bearing, side mount, 50 lb rating	Soft close, full extension, undermount, 100 lb rating
Sides	1/2" furniture board; melamine laminate, screwed	Formed metal sides
Bottom	1/2" furniture board; melamine laminate, captured in a groove, glued from underneath	5/8" furniture board; melamine laminate, dowel and screwed
Back	1/2" furniture board; melamine laminate, screwed	5/8" furniture board, melamine laminate, dowel and screwed
Drawer Front	Separate, attached with wafer screws	Integrated, attached with snap-in clips
Adjustment	Adjustable via wafer screws	Adjustable snap in clips

# CABINET DIMENSIONS

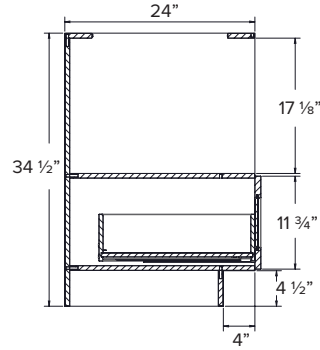
**WALL CABINET**



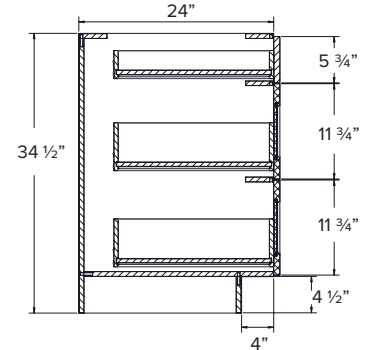
**BASE CABINET**



**MICROWAVE BASE CABINET**

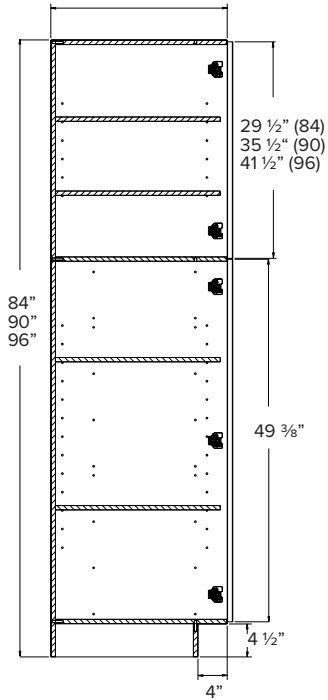


**DRAWER BASE CABINET**

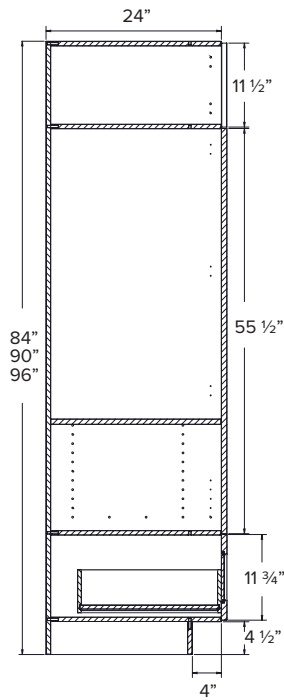


**TALL CABINET**

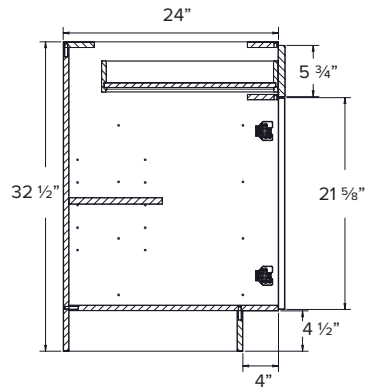
UC - 24" / LC - 21"



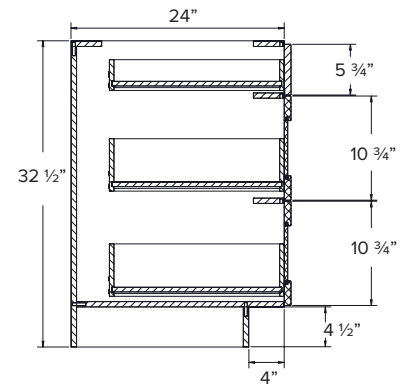
**OVEN CABINET**



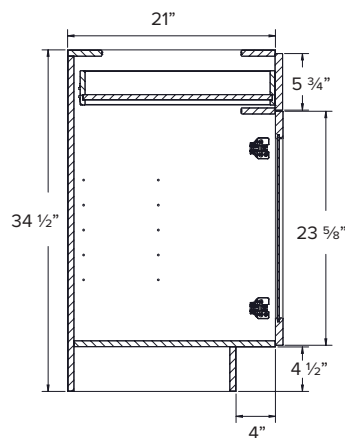
**ADA BASE CABINET**



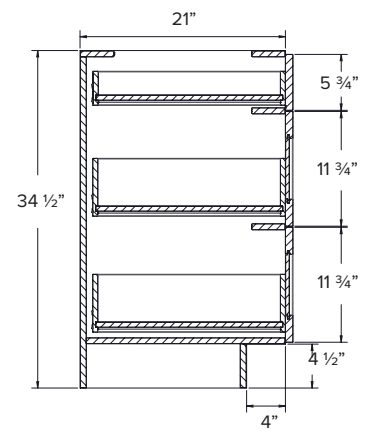
**ADA DRAWER BASE CABINET**



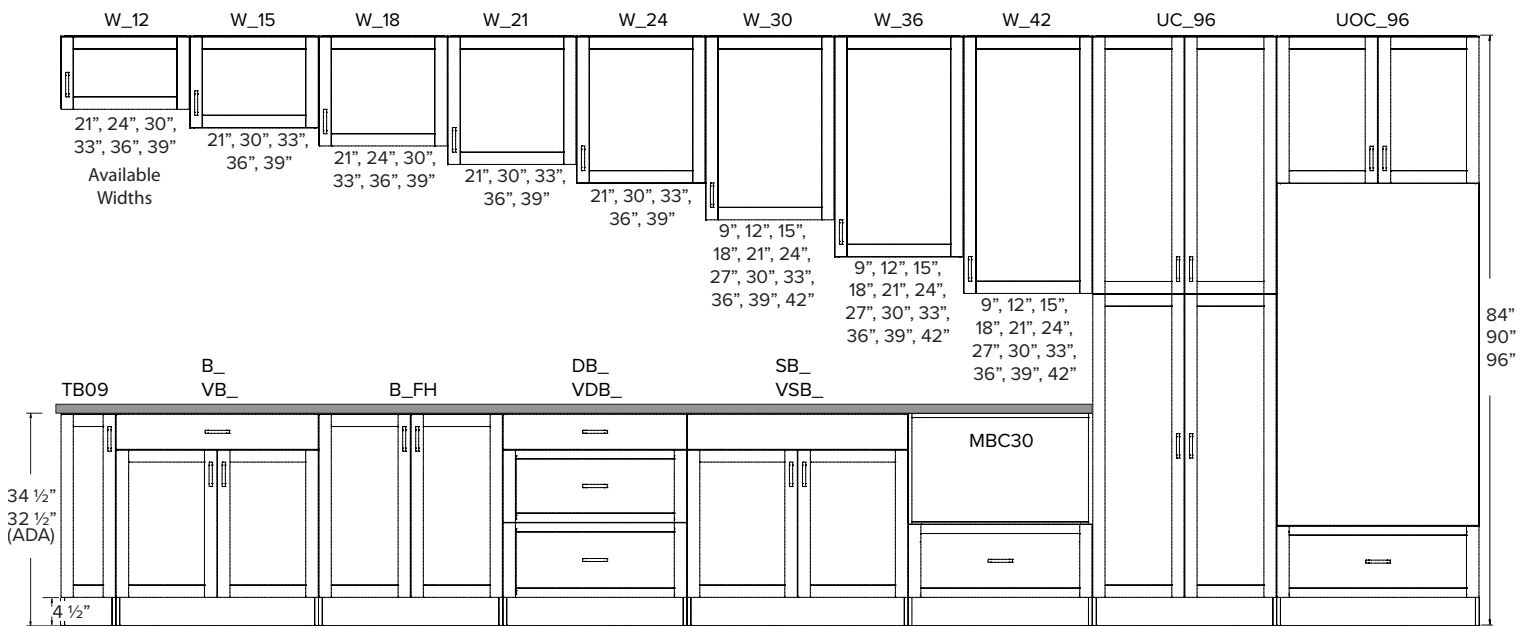
**VANITY BASE CABINET**



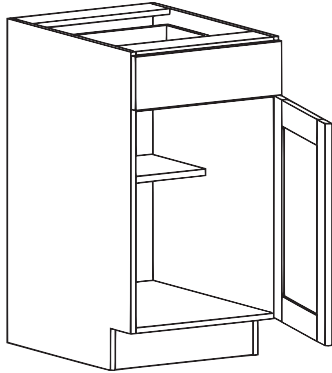
**VANITY DRAWER BASE CABINET**



• ADA Height 32.5"H Vanity Base Cabinets also available

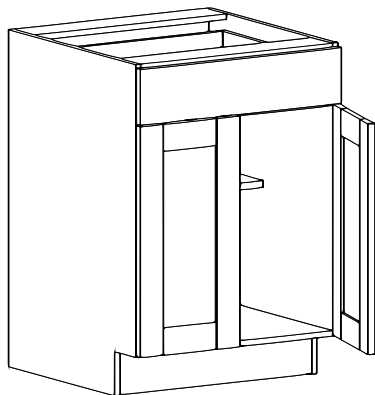


BASE				Upgraded Soft Close Drawer	
CODE	DESCRIPTION	FT <sup>3</sup>	PRICE	UD CODE	UD PRICE
B12	Base Cabinet 12" Wide	6.5	\$219.00	B12UD	\$296.00
B15	Base Cabinet 15" Wide	8.0	\$231.00	B15UD	\$309.00
B18	Base Cabinet 18" Wide	9.6	\$245.00	B18UD	\$323.00
B21	Base Cabinet 21" Wide	11.1	\$261.00	B21UD	\$339.00



- Comes standard with one half-depth adjustable shelf
- Shipped with hinges on right, can be changed in the field

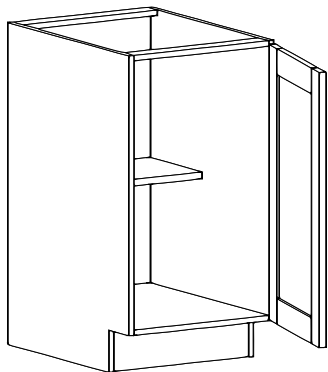
BASE DOUBLE DOOR				Upgraded Soft Close Drawer	
CODE	DESCRIPTION	FT <sup>3</sup>	PRICE	UD CODE	UD PRICE
B24	Base Cabinet 24" Wide	12.7	\$318.00	B24UD	\$395.00
B27	Base Cabinet 27" Wide	14.2	\$330.00	B27UD	\$407.00
B30	Base Cabinet 30" Wide	15.8	\$342.00	B30UD	\$419.00
B33	Base Cabinet 33" Wide	17.3	\$369.00	B33UD	\$446.00
B36	Base Cabinet 36" Wide	18.9	\$377.00	B36UD	\$454.00
B39	Base Cabinet 39" Wide	20.1	\$398.00	B39UD	\$436.00
B42	Base Cabinet 42" Wide	21.3	\$433.00	B42UD	\$449.00



- Comes standard with one half-depth adjustable shelf

## BASE FULL HEIGHT DOOR

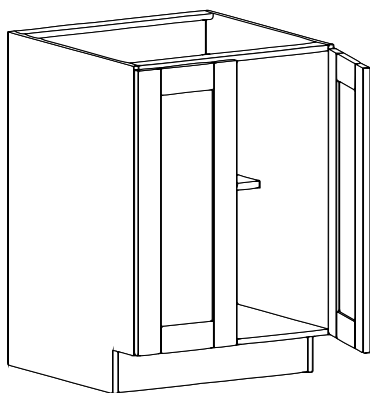
CODE	DESCRIPTION	FT <sup>3</sup>	PRICE
B12FH	Full Height Door Base Cabinet 12" Wide	6.5	\$185.00
B15FH	Full Height Door Base Cabinet 15" Wide	8.0	\$199.00
B18FH	Full Height Door Base Cabinet 18" Wide	9.6	\$209.00
B21FH	Full Height Door Base Cabinet 21" Wide	11.1	\$221.00



- Comes standard with one half-depth adjustable shelf
- Shipped with hinges on right, can be changed in the field

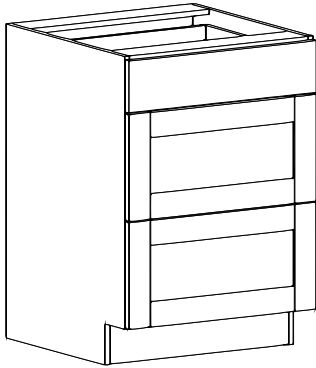
## BASE FULL HEIGHT DOUBLE DOOR

CODE	DESCRIPTION	FT <sup>3</sup>	PRICE
B24FH	Full Height Door Base Cabinet 24" Wide	12.7	\$279.00
B27FH	Full Height Door Base Cabinet 27" Wide	14.2	\$284.00
B30FH	Full Height Door Base Cabinet 30" Wide	15.8	\$296.00
B33FH	Full Height Door Base Cabinet 33" Wide	17.3	\$308.00
B36FH	Full Height Door Base Cabinet 36" Wide	19.8	\$320.00
B39FH	Full Height Door Base Cabinet 39" Wide	20.1	\$359.00
B42FH	Full Height Door Base Cabinet 42" Wide	21.6	\$372.00

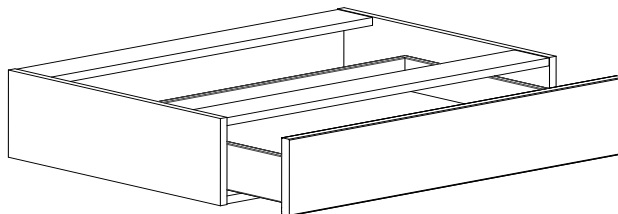


- Comes standard with one half-depth adjustable shelf

DRAWER BASE				<i>Upgraded Soft Close Drawer</i>	
CODE	DESCRIPTION	FT <sup>3</sup>	PRICE	UD CODE	UD PRICE
DB312	Drawer Base Cabinet 12" Wide	6.5	\$346.00	DB312UD	\$584.00
DB315	Drawer Base Cabinet 15" Wide	8.0	\$362.00	DB315UD	\$601.00
DB318	Drawer Base Cabinet 18" Wide	9.6	\$380.00	DB318UD	\$619.00
DB321	Drawer Base Cabinet 21" Wide	10.5	\$396.00	DB321UD	\$636.00
DB324	Drawer Base Cabinet 24" Wide	12.6	\$415.00	DB324UD	\$654.00
DB327	Drawer Base Cabinet 27" Wide	13.5	\$423.00	DB327UD	\$663.00
DB330	Drawer Base Cabinet 30" Wide	15.8	\$447.00	DB330UD	\$687.00



KNEE BASE				<i>Upgraded Soft Close Drawer</i>	
CODE	DESCRIPTION	FT <sup>3</sup>	PRICE	UD CODE	UD PRICE
KSD30	Knee Base Drawer 30" wide	3.0	\$160.00	KSD30UD	\$240.00
KSD36	Knee Base Drawer 36" wide	3.2	\$173.00	KSD36UD	\$253.00

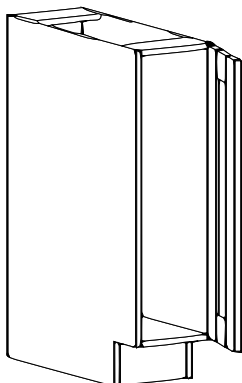


• Cabinets are 21" deep



## TRAY BASE

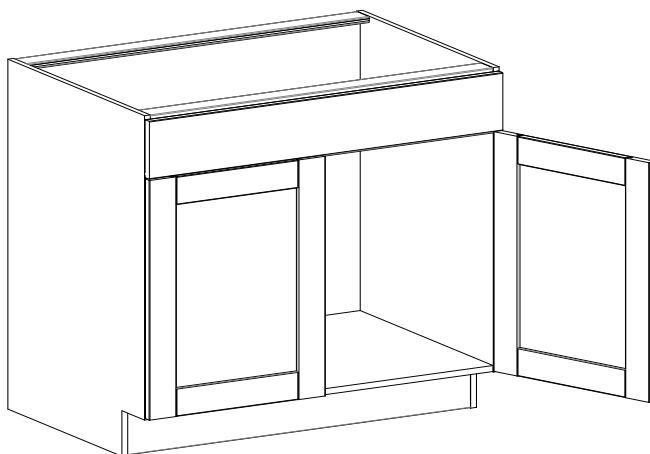
CODE	DESCRIPTION	FT <sup>3</sup>	PRICE
TB09	Full Height Door Base Cabinet 9" Wide	4.9	\$194.00



- No shelves
- Shipped with hinges on right, can be changed in the field

## SINK BASE

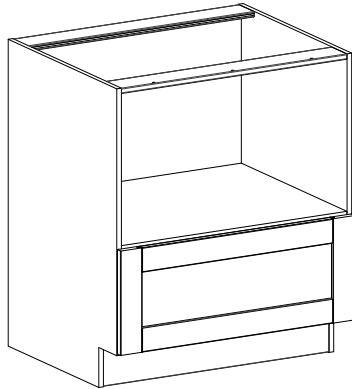
CODE	DESCRIPTION	FT <sup>3</sup>	PRICE
SB24	Sink Base Cabinet 24" Wide	14.0	\$290.00
SB27	Sink Base Cabinet 27" Wide	15.0	\$295.00
SB30	Sink Base Cabinet 30" Wide	15.8	\$318.00
SB33	Sink Base Cabinet 33" Wide	17.3	\$326.00
SB36	Sink Base Cabinet 36" Wide	18.9	\$350.00
SB39	Sink Base Cabinet 39" Wide	20.1	\$358.00
SB42	Sink Base Cabinet 42" Wide	21.6	\$373.00



## MICROWAVE BASE CABINET

*Upgraded Soft Close Drawer*

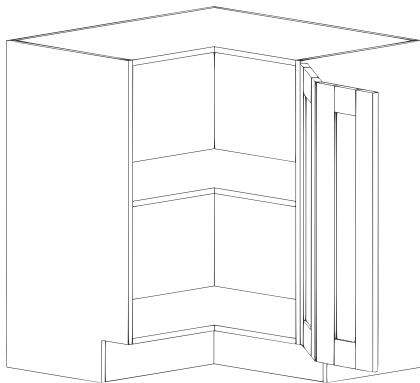
CODE	DESCRIPTION	FT <sup>3</sup>	PRICE	UD CODE	UD PRICE
MBC30	Microwave Base Cabinet 30" Wide	15.5	\$435.00	MBC30UD	\$515.00



- Rough opening for microwave is 17" tall x 28.75" wide

## EASY REACH CORNER BASE

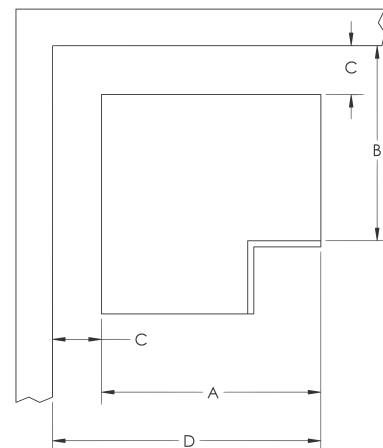
CODE	DESCRIPTION	FT <sup>3</sup>	PRICE
BER36	BER36 Base Easy Reach Corner Cabinet	27.0	\$600.00
LS36	LS36 Lazy Susan Cabinet (Includes 2 Tray Kits)	27.0	\$840.00
LZSTK	Lazy Susan Tray Kit (Includes 1 Tray)	2.5	\$100.00



- BER36 comes standard with one adjustable shelf.  
Holes predrilled to accept Lazy Susan Tray Kit (LZSTK).
- Lazy Susan Tray Kit (LZSTK) comes with one Lazy Susan tray;  
if two are desired, a quantity of two must be purchased

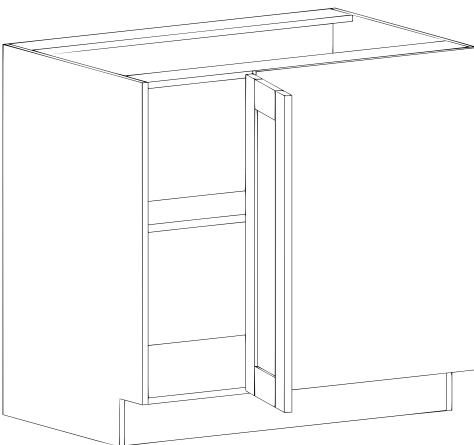
### DIMENSIONS

USER CODE	A - Case Width	B - Installed Depth	C - Wall Gap	D - Installed Width
BER36	30"	24"	6"	36"



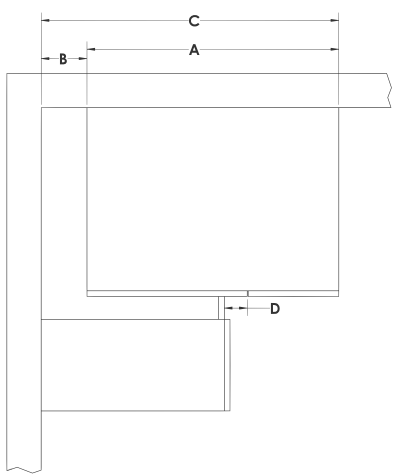
# BLIND CORNER BASE

CODE	DESCRIPTION	FT <sup>3</sup>	PRICE
BB39 R	Blind Base 39" Right Hand	18.9	\$450.00
BB42 R	Blind Base 42" Right Hand	20.4	\$465.00
BB45 R	Blind Base 45" Right Hand	21.0	\$480.00
BB39 L	Blind Base 39" Left Hand	18.8	\$450.00
BB42 L	Blind Base 42" Left Hand	20.4	\$465.00
BB45 L	Blind Base 45" Left Hand	21.0	\$480.00



- Comes standard with one half-depth adjustable shelf
- Constructed with a solid, full coverage Blind Panel
- BB cabinet description denotes the location of the blind panel. BB39 R- Blind Base 36" Right Hand pictured

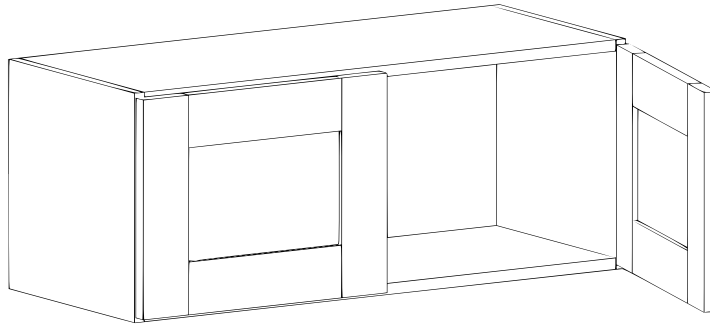
## SUGGESTED DIMENSIONS



USER CODE	A - Case Width	Door Width	B1* - Pull (Wall Gap)	C - Installed Width	D - Blind Reveal	B2 - Min. Pull (Wall Gap)	B3 - Max. Pull (Wall Gap)
BB39 R/L	33"	12"	6"	39"	3"	4"	23"
BB42 R/L	36"	15"		42"			
BB45 R/L	39"	18"		45"			

\*Must be installed using the "Suggested Pull B1" to achieve the stated size in the User Code. If installed using less than the "Suggested Pull B1," the "Blind Reveal" will be less than 3" and door swing clearance for adjacent items is restricted.

WALL 12" HIGH				<i>Glass Door Extended Lead Time</i>	
CODE	DESCRIPTION	FT <sup>3</sup>	PRICE	GD CODE	GD PRICE
W2112	Wall Cabinet 21" Wide 12" High	2.0	\$123.00		
W2412	Wall Cabinet 24" Wide 12" High	3.8	\$193.00		
W3012	Wall Cabinet 30" Wide 12" High	3.0	\$172.00	W3012GD	\$257.00
W3312	Wall Cabinet 33" Wide 12" High	3.3	\$179.00	W3312GD	\$268.00
W3612	Wall Cabinet 36" Wide 12" High	3.6	\$183.00	W3612GD	\$274.00
W3912	Wall Cabinet 39" Wide 12" High	3.9	\$187.00	W3912GD	\$280.00
W3012/24	Wall Cabinet 30" Wide 12" High 24" Deep	2.7	\$203.00		
W3312/24	Wall Cabinet 33" Wide 12" High 24" Deep	3.1	\$207.00		
W3612/24	Wall Cabinet 36" Wide 12" High 24" Deep	6.3	\$210.00		
W3912/24	Wall Cabinet 39" Wide 12" High 24" Deep	7.3	\$225.00	W3912/24GD	\$336.00

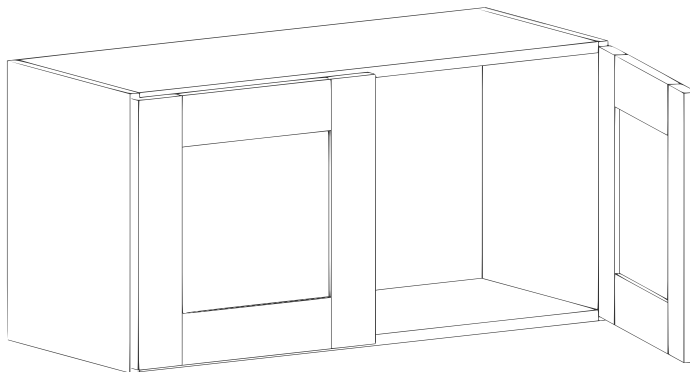


- No shelf included
- 21" wide cabinet has only one door

## WALL 15" HIGH

*Glass Door  
Extended Lead Time*

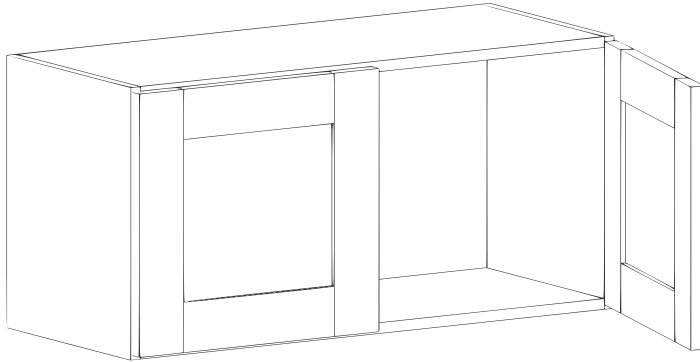
CODE	DESCRIPTION	FT <sup>3</sup>	PRICE	GD CODE	GD PRICE
W2115	Wall Cabinet 21" Wide 15" High	2.6	\$128.00		
W3015	Wall Cabinet 30" Wide 15" High	3.7	\$178.00	W3015GD	\$266.00
W3315	Wall Cabinet 33" Wide 15" High	4.1	\$187.00	W3315GD	\$280.00
W3615	Wall Cabinet 36" Wide 15" High	4.4	\$192.00	W3615GD	\$288.00
W3915	Wall Cabinet 39" Wide 15" High	4.8	\$195.00	W3915GD	\$292.00
W3015/24	Wall Cabinet 30" Wide 15" High 24" Deep	5.8	\$212.00		
W3315/24	Wall Cabinet 33" Wide 15" High 24" Deep	6.5	\$217.00		
W3615/24	Wall Cabinet 36" Wide 15" High 24" Deep	7.8	\$221.00		
W3915/24	Wall Cabinet 39" Wide 15" High 24" Deep	8.5	\$230.00		



- No shelf included
- 21" wide cabinet has only one door

## WALL 18" HIGH

CODE	DESCRIPTION	FT <sup>3</sup>	PRICE
W2118	Wall Cabinet 21" Wide 18" High	3.1	\$136.00
W2418	Wall Cabinet 24" Wide 18" High	3.5	\$173.00
W3018	Wall Cabinet 30" Wide 18" High	8.3	\$185.00
W3318	Wall Cabinet 33" Wide 18" High	9.1	\$197.00
W3618	Wall Cabinet 36" Wide 18" High	10.0	\$202.00
W3918	Wall Cabinet 39" Wide 18" High	10.0	\$212.00
W3018/24	Wall Cabinet 30" Wide 18" High 24" Deep	8.3	\$222.00
W3318/24	Wall Cabinet 33" Wide 18" High 24" Deep	10.0	\$228.00
W3618/24	Wall Cabinet 36" Wide 18" High 24" Deep	10.9	\$234.00
W3918/24	Wall Cabinet 39" Wide 18" High 24" Deep	11.8	\$242.00



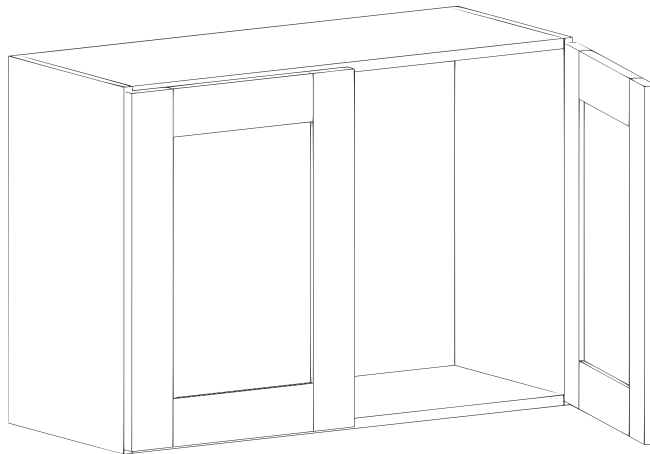
- No shelf included
- 21" wide cabinet has only one door



## WALL 21" HIGH

*Glass Door  
Extended Lead Time*

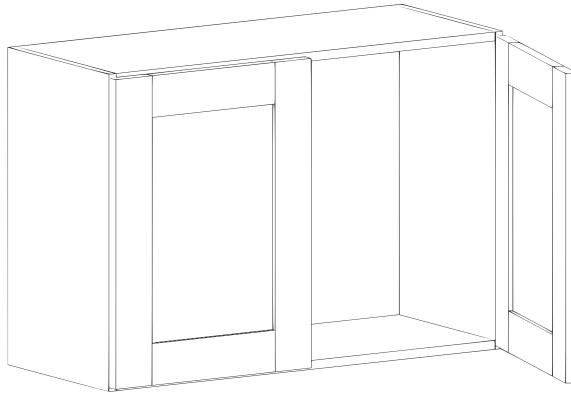
CODE	DESCRIPTION	FT <sup>3</sup>	PRICE	GD CODE	GD PRICE
W2121	Wall Cabinet 21" Wide 21" High	4.0	\$143.00		
W3021	Wall Cabinet 30" Wide 21" High	5.1	\$197.00	W3021GD	\$295.00
W3321	Wall Cabinet 33" Wide 21" High	5.6	\$205.00	W3321GD	\$324.00
W3621	Wall Cabinet 36" Wide 21" High	6.1	\$214.00	W3621GD	\$306.00
W3921	Wall Cabinet 39" Wide 21" High	6.6	\$219.00	W3921GD	\$320.00
W3021/24	Wall Cabinet 30" Wide 21" High 24" Deep	6.0	\$234.00		
W3321/24	Wall Cabinet 33" Wide 21" High 24" Deep	7.0	\$240.00		
W3621/24	Wall Cabinet 36" Wide 21" High 24" Deep	8.0	\$247.00		
W3921/24	Wall Cabinet 39" Wide 21" High 24" Deep	9.0	\$257.00		



- No shelf included
- 21" wide cabinet has only one door

## WALL 24" HIGH

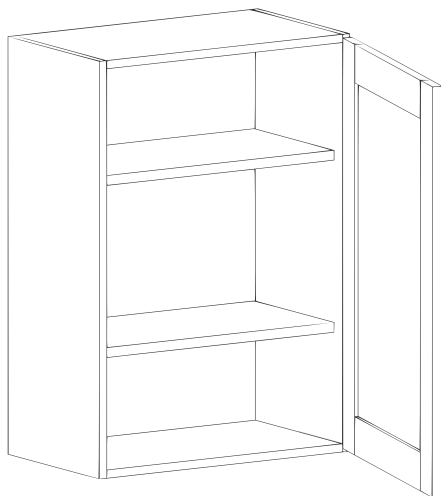
CODE	DESCRIPTION	FT <sup>3</sup>	PRICE
W2124	Wall Cabinet 21" Wide 24" High	4.1	\$158.00
W3024	Wall Cabinet 30" Wide 24" High	5.8	\$216.00
W3324	Wall Cabinet 33" Wide 24" High	6.0	\$226.00
W3624	Wall Cabinet 36" Wide 24" High	6.9	\$232.00
W3924	Wall Cabinet 39" Wide 24" High	7.5	\$242.00
W3024/24	Wall Cabinet 30" Wide 24" High 24" Deep	11.0	\$252.00
W3324/24	Wall Cabinet 33" Wide 24" High 24" Deep	12.0	\$260.00
W3624/24	Wall Cabinet 36" Wide 24" High 24" Deep	13.0	\$268.00
W3924/24	Wall Cabinet 39" Wide 24" High 24" Deep	14.0	\$279.00



- Comes standard with one adjustable shelf
- 21" wide cabinet has only one door

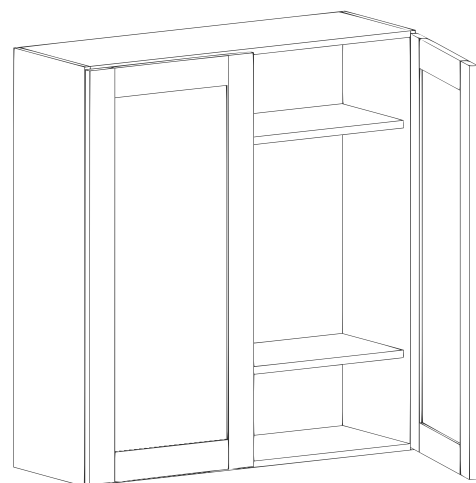
WALL 30" HIGH SINGLE DOOR				<i>Glass Door Extended Lead Time</i>	
CODE	DESCRIPTION	FT <sup>3</sup>	PRICE	GD CODE	GD PRICE
W930	Wall Cabinet 9" Wide 30" High	2.3	\$133.00	W930GD	\$195.00
W1230	Wall Cabinet 12" Wide 30" High	3.0	\$144.00	W1230GD	\$212.00
W1530	Wall Cabinet 15" Wide 30" High	3.7	\$154.00	W1530GD	\$227.00
W1830	Wall Cabinet 18" Wide 30" High	4.4	\$165.00	W1830GD	\$243.00
W2130	Wall Cabinet 21" Wide 30" High	5.1	\$177.00	W2130GD	\$265.00

WALL 30" HIGH DOUBLE DOOR				<i>Glass Door Extended Lead Time</i>	
CODE	DESCRIPTION	FT <sup>3</sup>	PRICE	GD CODE	GD PRICE
W2430	Wall Cabinet 24" Wide 30" High	5.8	\$223.00	W2430GD	\$331.00
W2730	Wall Cabinet 27" Wide 30" High	6.6	\$233.00	W2730GD	\$345.00
W3030	Wall Cabinet 30" Wide 30" High	7.3	\$244.00	W3030GD	\$362.00
W3330	Wall Cabinet 33" Wide 30" High	8.0	\$254.00	W3330GD	\$377.00
W3630	Wall Cabinet 36" Wide 30" High	8.7	\$267.00	W3630GD	\$396.00
W3930	Wall Cabinet 39" Wide 30" High	8.8	\$295.00		
W4230	Wall Cabinet 42" Wide 30" High	9.4	\$314.00		



**SINGLE DOOR**

- Comes standard with two adjustable shelves
- Reversible for right hand & left hand by flipping upside down

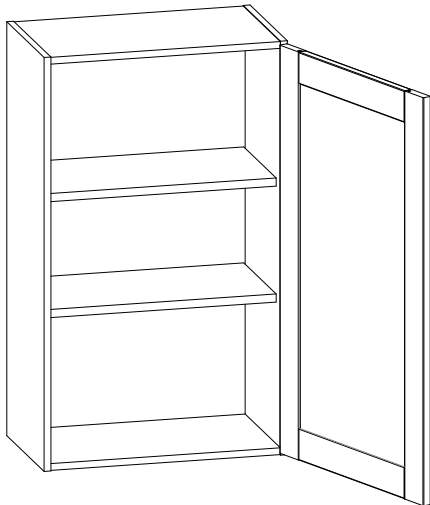


**DOUBLE DOOR**

- Comes standard with two adjustable shelves

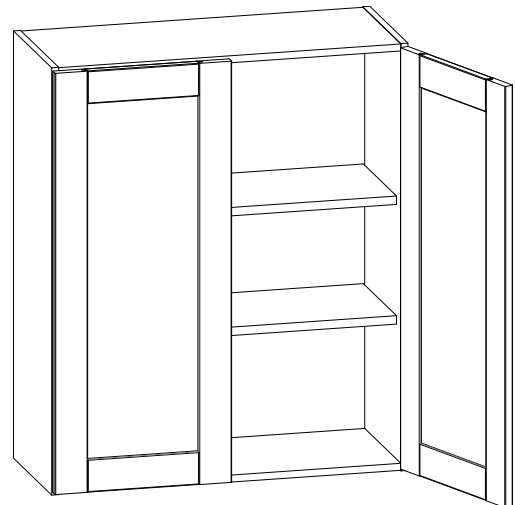
WALL 36" HIGH SINGLE DOOR				Glass Door Extended Lead Time	
CODE	DESCRIPTION	FT <sup>3</sup>	PRICE	GD CODE	GD PRICE
W0936	Wall Cabinet 9" Wide 36" High	2.5	\$178.00		
W1236	Wall Cabinet 12" Wide 36" High	3.3	\$175.00		
W1536	Wall Cabinet 15" Wide 36" High	4.3	\$187.00		
W1836	Wall Cabinet 18" Wide 36" High	5	\$197.00		
W2136	Wall Cabinet 21" Wide 36" High	5.8	\$218.00		

WALL 36" HIGH DOUBLE DOOR				Glass Door Extended Lead Time	
CODE	DESCRIPTION	FT <sup>3</sup>	PRICE	GD CODE	GD PRICE
W2436	Wall Cabinet 24" Wide 36" High	6.5	\$278.00		
W2736	Wall Cabinet 27" Wide 36" High	7.5	\$286.00		
W3036	Wall Cabinet 30" Wide 36" High	8.3	\$298.00		
W3336	Wall Cabinet 33" Wide 36" High	9	\$323.00		
W3636	Wall Cabinet 36" Wide 36" High	9.8	\$331.00		
W3936	Wall Cabinet 39" Wide 36" High	10.8	\$334.00		
W4236	Wall Cabinet 42" Wide 36" High	11.5	\$341.00		



**SINGLE DOOR**

- Comes standard with two adjustable shelves
- Reversible for right hand & left hand by flipping upside down

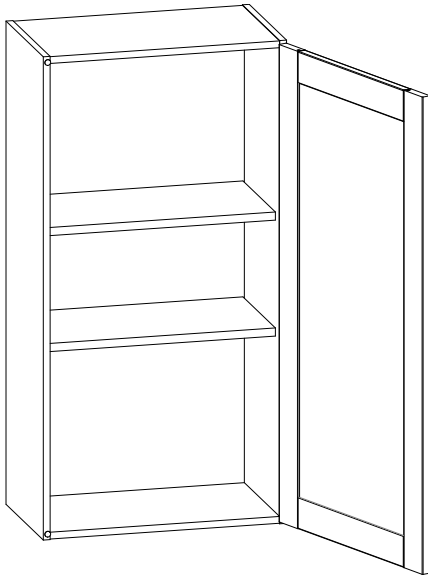


**DOUBLE DOOR**

- Comes standard with two adjustable shelves

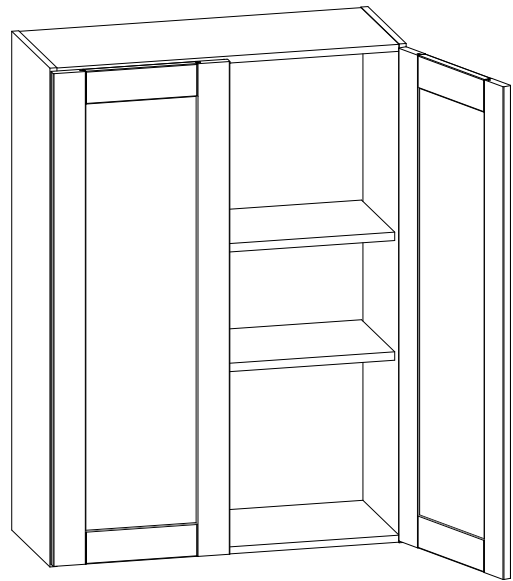
WALL 42" HIGH SINGLE DOOR				Glass Door Extended Lead Time	
CODE	DESCRIPTION	FT <sup>3</sup>	PRICE	GD CODE	GD PRICE
W0942	Wall Cabinet 9" Wide 42" High	1.8	\$191.00		
W1242	Wall Cabinet 12" Wide 42" High	3	\$196.00		
W1542	Wall Cabinet 15" Wide 42" High	4	\$209.00		
W1842	Wall Cabinet 18" Wide 42" High	4.8	\$228.00		
W2142	Wall Cabinet 21" Wide 42" High	5.8	\$249.00		

WALL 42" HIGH DOUBLE DOOR				Glass Door Extended Lead Time	
CODE	DESCRIPTION	FT <sup>3</sup>	PRICE	GD CODE	GD PRICE
W2442	Wall Cabinet 24" Wide 42" High	6.8	\$296.00		
W2742	Wall Cabinet 27" Wide 42" High	7.8	\$304.00		
W3042	Wall Cabinet 30" Wide 42" High	8.8	\$323.00		
W3342	Wall Cabinet 33" Wide 42" High	9.5	\$348.00		
W3642	Wall Cabinet 36" Wide 42" High	10.5	\$364.00		
W3942	Wall Cabinet 39" Wide 42" High	11.5	\$366.00		
W4242	Wall Cabinet 42" Wide 42" High	12.5	\$368.00		



**SINGLE DOOR**

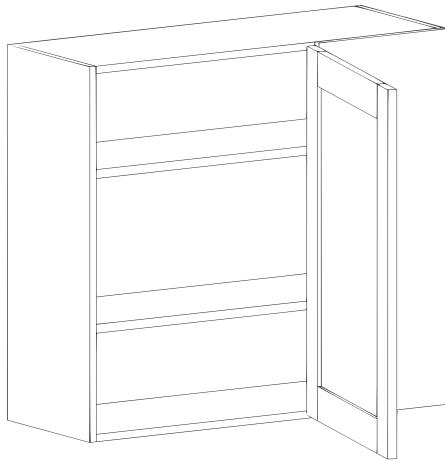
- Comes standard with two adjustable shelves
- Reversible for right hand & left hand by flipping upside down



**DOUBLE DOOR**

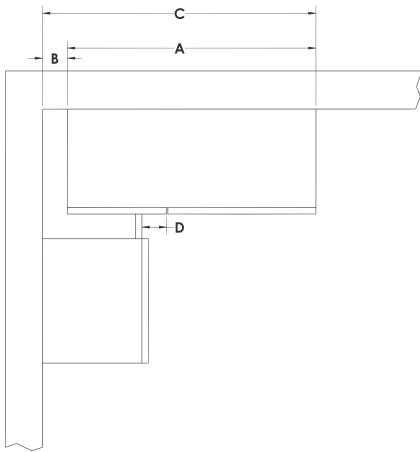
- Comes standard with two adjustable shelves

BLIND WALL CABINET				Glass Door Extended Lead Time	
CODE	DESCRIPTION	FT <sup>3</sup>	PRICE	GD CODE	GD PRICE
WB3330	Wall Blind Cabinet 33" X 30" High Reversible R/L	7.3	\$373.00	WB3330GD	\$454.00
WB3630	Wall Blind Cabinet 36" X 30" High Reversible R/L	8.0	\$402.00	WB3630GD	\$490.00
WB3336	Wall Blind Cabinet 33"x 36" High Reversible R/L	8.3	\$417.00		
WB3636	Wall Blind Cabinet 36"x 36" High Reversible R/L	9	\$432.00		
WB3342	Wall Blind Cabinet 33"x 42" High Reversible R/L	8.8	\$445.00		
WB3642	Wall Blind Cabinet 36"x 42" High Reversible R/L	9.5	\$462.00		



- Constructed with a solid, full coverage blind panel
- Comes standard with two adjustable shelves
- Reversible for right hand & left hand by flipping upside down

SUGGESTED DIMENSIONS



USER CODE	A - Case Width	Door Width	B1* - Pull (Wall Gap)	C - Installed Width	D - Blind Reveal	B2 - Min. Pull (Wall Gap)	B3 - Max. Pull (Wall Gap)
WB3330 R/L	30"	18"	3"	33"	3"	1"	11"
WB3630 R/L	33"	21"		36"			
WB3336 R/L	30"	18"		33"			
WB3636 R/L	33"	21"		36"			
WB3342 R/L	30"	18"		33"			
WB3642 R/L	33"	21"		36"			

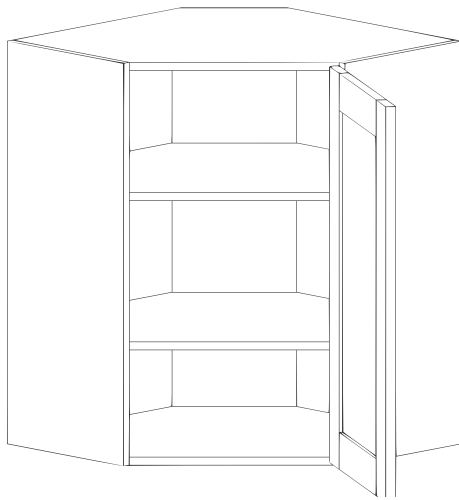
\*Must be installed using the "Suggested Pull B1" to achieve the stated size in the User Code. If installed using less than the "Suggested Pull B1," the "Blind Reveal" will be less than 3" and door swing clearance for adjacent items is restricted.



## WALL DIAGONAL CABINET

*Glass Door  
Extended Lead Time*

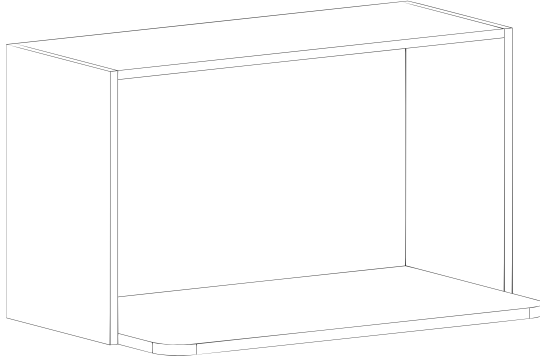
CODE	DESCRIPTION	FT <sup>3</sup>	PRICE	GD CODE	GD PRICE
WDC2430	Wall Diagonal Cabinet 24" Wide 30" High	10.6	\$386.00	WDC2430GD	\$578.00
WDC2730	Wall Diagonal Cabinet 27" Wide 30" High	12.8	\$446.00		
WDC2436	Wall Diagonal Cabinet 24" Wide 36" High	12	\$423.00		
WDC2736	Wall Diagonal Cabinet 27" Wide 36" High	15.3	\$441.00		
WDC2442	Wall Diagonal Cabinet 24" Wide 42" High	10.5	\$456.00		
WDC2742	Wall Diagonal Cabinet 27" Wide 42" High	14	\$496.00		



- Comes standard with two adjustable shelves
- 27" wide cabinets are bump-out cabinets that are 15" deep on each side

## WALL MICROWAVE CABINET

CODE	DESCRIPTION	FT <sup>3</sup>	PRICE
WMC3018	Wall Microwave Cabinet 30" Wide 18" High	6.5	\$303.00

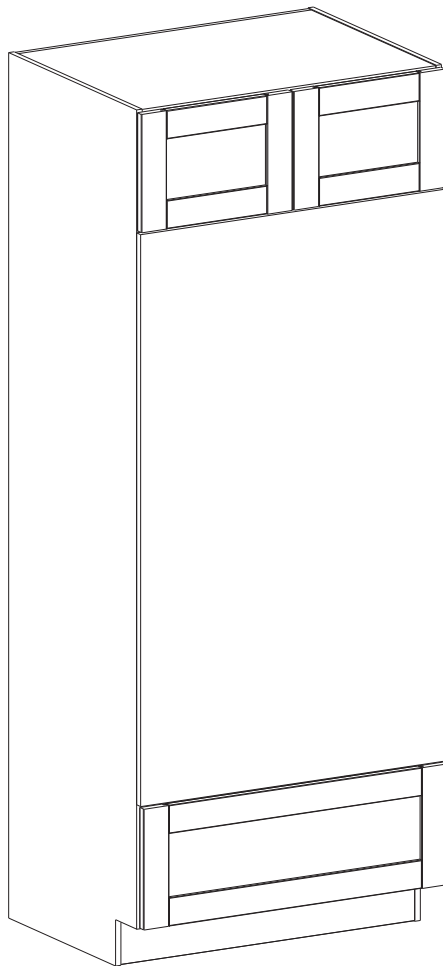


- Interior of cabinet matches kitchen door color
- Bottom shelf is 18" deep

# UNIVERSAL OVEN CABINET

*Upgraded Soft Close Drawer*

CODE	DESCRIPTION	FT <sup>3</sup>	PRICE	UD CODE	UD PRICE
UOC3384	Oven Cabinet 33" Wide 84" High	40	\$990.00	UOC3384UD	\$1,070.00
UOC3390	Oven Cabinet 33" Wide 90" High	43	\$1,000.00	UOC3390UD	\$1,080.00
UOC3396	Oven Cabinet 33" Wide 96" High	46	\$1,010.00	UOC3396UD	\$1,090.00



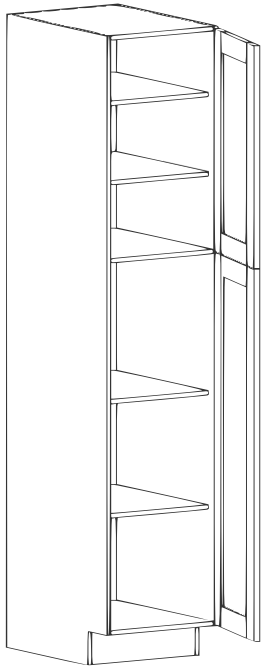
• Full sheet attached with clips for cut out

## LINEN SINGLE DOOR (21" DEPTH)

CODE	DESCRIPTION	FT <sup>3</sup>	PRICE
LC1284	Linen Cabinet 12" Wide 84" High	17.1	\$566.00
LC1584	Linen Cabinet 15" Wide 84" High	17.1	\$570.00
LC1884	Linen Cabinet 18" Wide 84" High	19.3	\$595.00
LC2184	Linen Cabinet 21" Wide 84" High	19.3	\$643.00

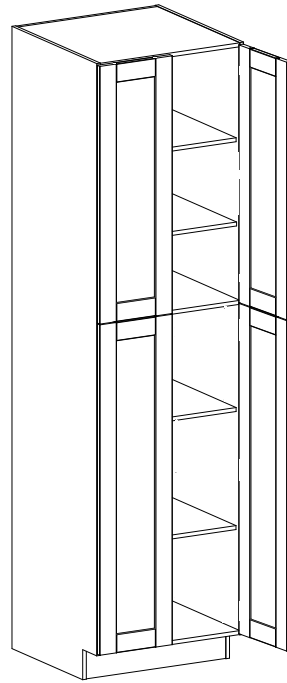
## LINEN DOUBLE DOOR (21" DEPTH)

CODE	DESCRIPTION	FT <sup>3</sup>	PRICE
LC2484	Linen Cabinet 24" Wide 84" High	30	\$715.00



### SINGLE DOOR

- Comes standard with four adjustable, full-depth shelves plus one fixed shelf
- Shipped with hinges on right, reversible
- Linen cabinet depth = 21"
- Utility cabinet depth = 24"



### DOUBLE DOOR

- Comes standard with four adjustable, full-depth shelves plus one fixed shelf
- Linen cabinet depth = 21"
- Utility cabinet depth = 24"

## UTILITY SINGLE DOOR (24" DEPTH)

CODE	DESCRIPTION	FT <sup>3</sup>	PRICE
UC1284	Utility Cabinet 12" Wide 84" High	14	\$568.00
UC1584	Utility Cabinet 15" Wide 84" High	17.5	\$592.00
UC1884	Utility Cabinet 18" Wide 84" High	21	\$616.00
UC2184	Utility Cabinet 21" Wide 84" High	24.5	\$645.00
UC1290	Utility Cabinet 12" Wide 90" High	15.8	\$634.00
UC1590	Utility Cabinet 15" Wide 90" High	19.8	\$664.00
UC1890	Utility Cabinet 18" Wide 90" High	23.5	\$701.00
UC2190	Utility Cabinet 21" Wide 90" High	27.5	\$757.00
UC1296	Utility Cabinet 12" Wide 96" High	16.8	\$642.00
UC1596	Utility Cabinet 15" Wide 96" High	21	\$675.00
UC1896	Utility Cabinet 18" Wide 96" High	25	\$713.00
UC2196	Utility Cabinet 21" Wide 96" High	29.3	\$770.00

## UTILITY DOUBLE DOOR (24" DEPTH)

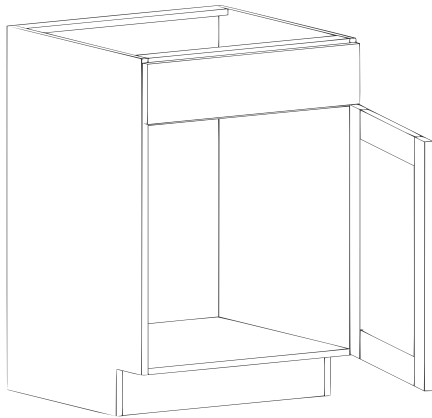
CODE	DESCRIPTION	FT <sup>3</sup>	PRICE
UC2484	Utility Cabinet 24" Wide 84" High	30.6	\$749.00
UC2784	Utility Cabinet 27" Wide 84" High	34.6	\$809.00
UC3084	Utility Cabinet 30" Wide 84" High	38.6	\$829.00
UC2490	Utility Cabinet 24" Wide 90" High	31.3	\$844.00
UC2790	Utility Cabinet 27" Wide 90" High	35.3	\$906.00
UC3090	Utility Cabinet 30" Wide 90" High	39.3	\$925.00
UC2496	Utility Cabinet 24" Wide 96" High	32	\$856.00
UC2796	Utility Cabinet 27" Wide 96" High	36	\$914.00
UC3096	Utility Cabinet 30" Wide 96" High	40	\$934.00

## VANITY SINK BASE SINGLE DOOR

CODE	DESCRIPTION	FT <sup>3</sup>	PRICE
VSB21	Vanity Sink Base 21" wide	6.4	\$229.00

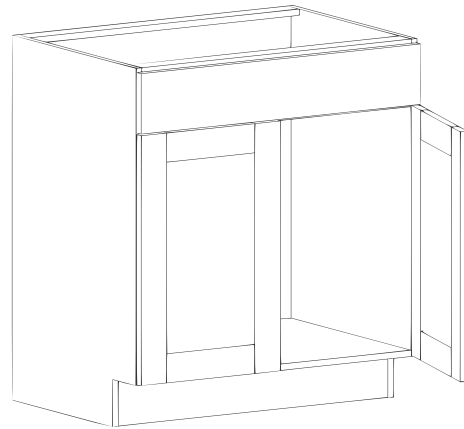
## VANITY SINK BASE DOUBLE DOOR

CODE	DESCRIPTION	FT <sup>3</sup>	PRICE
VSB24	Vanity Sink Base 24" wide	11.2	\$282.00
VSB27	Vanity Sink Base 27" wide	12.5	\$290.00
VSB30	Vanity Sink Base 30" wide	13.9	\$300.00
VSB33	Vanity Sink Base 33" wide	14	\$319.00
VSB36	Vanity Sink Base 36" wide	17.3	\$329.00
VSB39	Vanity Sink Base 39" Wide	17.7	\$366.00
VSB42	Vanity Sink Base 42" Wide	18.2	\$391.00



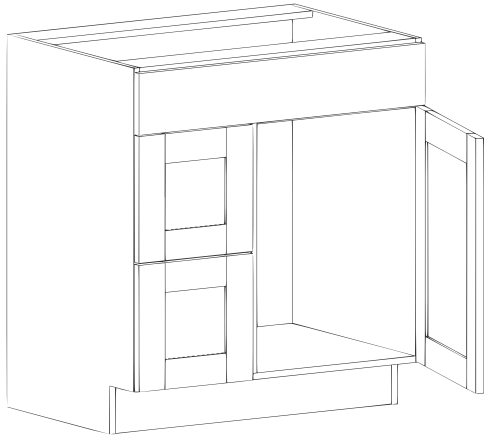
**SINGLE DOOR**

• Shipped with hinges on right, reversible



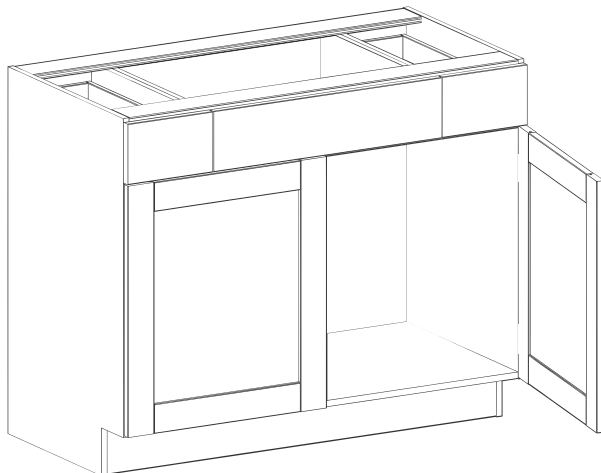
**DOUBLE DOOR**

VANITY SINK DRAWER & DOOR BASE				Upgraded Soft Close Drawer	
CODE	DESCRIPTION	FT <sup>3</sup>	PRICE	UD CODE	UD PRICE
VSBD30 R	Vanity Sink Base Drawer Cabinet 30" Wide RH	14	\$532.00	VSBD30UD R	\$691.00
VSBD30 L	Vanity Sink Base Drawer Cabinet 30" Wide LH	14	\$532.00	VSBD30UD L	\$691.00
VSBD36 R	Vanity Sink Base Drawer Cabinet 36" Wide RH	16.6	\$601.00	VSBD36UD R	\$761.00
VSBD36 L	Vanity Sink Base Drawer Cabinet 36" Wide LH	16.6	\$601.00	VSBD36UD L	\$761.00



- Right hand / left hand must be specified
- 30" wide cabinet consists of two 12" wide drawers, one 18" door, and one false drawer front
- 36" wide cabinet consists of two 12" wide drawers, two 12" doors, and one false drawer front
- Picture shown illustrates left handed version of cabinet

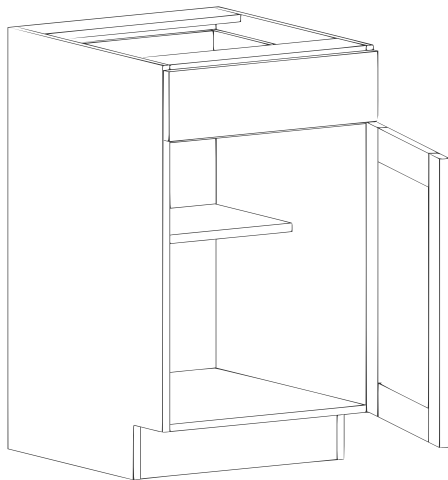
VANITY SINK DRAWER BASE				Upgraded Soft Close Drawer	
CODE	DESCRIPTION	FT <sup>3</sup>	PRICE	UD CODE	UD PRICE
VSBD36DD	Vanity Sink Base Drawer 36" Wide w/ 2 Drawers	15.8	\$591.00	VSBD36DDUD	\$751.00
VSBD39DD	Vanity Sink Base Drawer 39" Wide w/ 2 Drawers	15.8	\$600.00	VSBD39DDUD	\$760.00
VSBD42DD	Vanity Sink Base Drawer 42" Wide w/ 2 Drawers	15.8	\$613.00	VSBD42DDUD	\$773.00



- Each drawer front uses a 9" drawer front.
- Inside dimension of drawer box is 5.75"

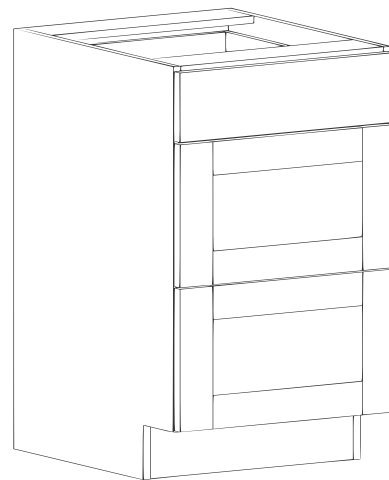
VANITY BASE				Upgraded Soft Close Drawer	
CODE	DESCRIPTION	FT <sup>3</sup>	PRICE	UD CODE	UD PRICE
VB12	Vanity Base Cabinet 12" Wide	6.5	\$211.00	VB12UD	\$288.00
VB15	Vanity Base Cabinet 15" Wide	7.5	\$223.00	VB15UD	\$300.00
VB18	Vanity Base Cabinet 18" Wide	9.6	\$235.00	VB18UD	\$313.00
VB21	Vanity Base Cabinet 21" Wide	11	\$254.00	VB21UD	\$334.00
VB24	Vanity Base Cabinet 24" Wide	13	\$286.00	VB24UD	\$366.00
VB39	Vanity Base Cabinet 39" Wide	17.7	\$391.00	VB39UD	\$468.00
VB42	Vanity Base Cabinet 42" Wide	18.2	\$425.00	VB42UD	\$502.00

VANITY DRAWER BASE				Upgraded Soft Close Drawer	
CODE	DESCRIPTION	FT <sup>3</sup>	PRICE	UD CODE	UD PRICE
VDB312	Vanity Drawer Base Cabinet 12" Wide	2.0	\$339.00	VDB312UD	\$578.00
VDB315	Vanity Drawer Base Cabinet 15" Wide	3.1	\$355.00	VDB315UD	\$594.00
VDB318	Vanity Drawer Base Cabinet 18" Wide	4.5	\$373.00	VDB318UD	\$612.00
VDB321	Vanity Drawer Base Cabinet 21" Wide	8.0	\$391.00	VDB321UD	\$631.00
VDB324	Vanity Drawer Base Cabinet 24" Wide	8.5	\$402.00	VDB324UD	\$642.00



**VANITY BASE**

- Comes standard with one half-depth adjustable shelf
- Shipped with hinges on right, reversible



**VANITY DRAWER BASE**

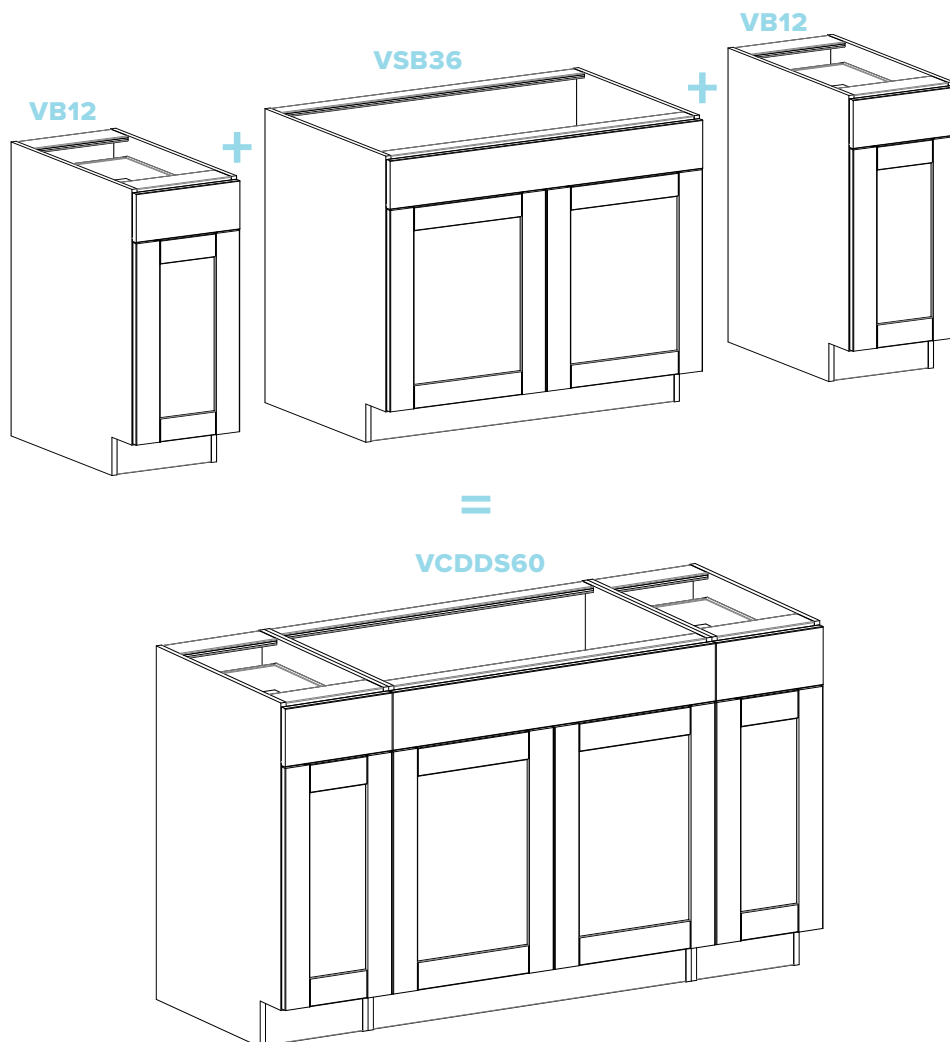


# COMBO VANITY CABINETS

Upgraded Soft Close Drawer

CODE	DESCRIPTION	FT <sup>3</sup>	PRICE	UD CODE	UD PRICE
VCDS60	Vanity Combo Base 60" Wide 2 Bwl (VSB24, VDB312, VSB24)	17.7	\$813.00	VCDS60UD	\$1,028.00
VCDDS60	Vanity Combo Base 60" Wide 1 Bwl (VB12, VSB36, VB12)	6.1	\$676.00	VCDDS60UD	\$815.00
VCDDS54	Vanity Combo Base 54" Wide 1 Bwl (VB15, VSB24, VB15)	13.9	\$656.00	VCDDS54UD	\$794.00
VCDDS48	Vanity Combo Base 48" Wide 1 Bwl (VB12, VSB24, VB12)	11.9	\$634.00	VCDDS48UD	\$773.00
VCDS72	Vanity Combo Base 72" Wide 2 Bwl (VSB30, VDB312, VSB30)	26.3	\$846.00	VCDS72UD	\$1,061.00
VCDDS72	Vanity Combo Base 72" Wide 1 Bwl (VB18, VSB36, VB18 )	11	\$720.00	VCDDS72UD	\$860.00
VCDS66	Vanity Combo Base 66" Wide 2 Bwl (VSB27, VDB312, VSB27)	21.7	\$828.00	VCDS66UD	\$1,043.00
VCDDS66	Vanity Combo Base 66" Wide 1 Bwl (VB15, VSB36, VB15)	24.2	\$698.00	VCDDS66UD	\$837.00

- Combo vanities are made up of a combination of several individual vanity cabinets
- Cabinets will ship individually and be installed side by side to give the appearance of a larger vanity



# OTHER CABINET OPTIONS

## CABINETS ONLY (NO DOOR/DRAWER FRONTS)

FULLY ASSEMBLED CABINETS WITH NO FRONTS ARE AVAILABLE.

Expand your finish options by using Sauder cabinets with your own door and drawer fronts. Sauder's three cabinet finishes (Glacier White, Modern Gray, and Slate) give flexibility to use many different door/drawer front finishes. *Standard drawer only. Upgraded soft close drawer not available.*

*Extended Lead Time*

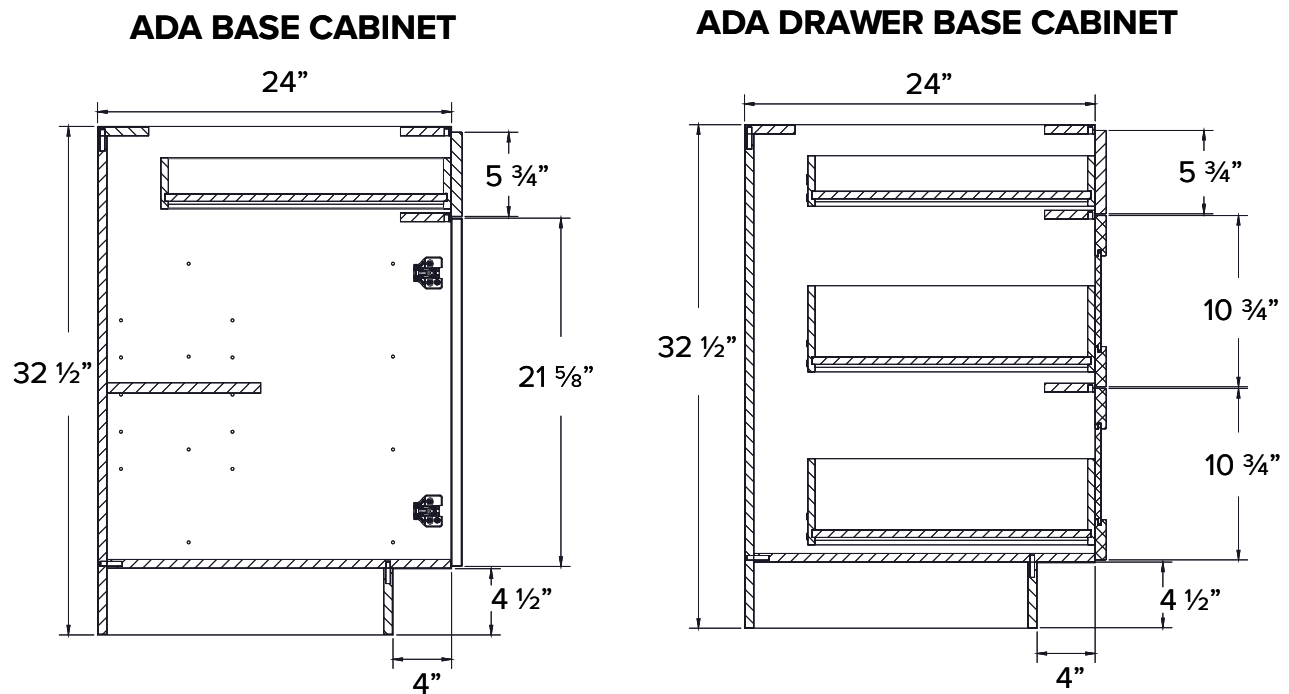
## ADA COMPLIANT CABINETS

CABINETS MEET THE AMERICAN DISABILITIES ACT (ADA) GUIDELINES FOR ACCESSIBILITY.

ADA specific features include an overall height of 32 1/2" on base and vanity cabinets.

*Extended Lead Time*

## ADA COMPLIANT CABINET DIMENSIONS



## ADA COMPLIANT BASE CABINETS

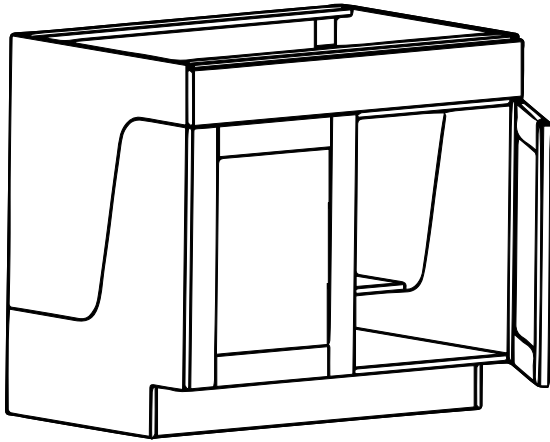
CODE	DESCRIPTION	FT <sup>3</sup>	PRICE	UD CODE	UD PRICE
<b>BASE (ADA)</b>				<i>Upgraded Soft Close Drawer</i>	
B12-ADA	Base Cabinet 12" Wide ADA height	6.0	\$216.00	B12UD-ADA	\$296.00
B15-ADA	Base Cabinet 15" Wide ADA height	7.5	\$229.00	B15UD-ADA	\$309.00
B18-ADA	Base Cabinet 18" Wide ADA height	9.0	\$243.00	B18UD-ADA	\$323.00
B21-ADA	Base Cabinet 21" Wide ADA height	10.5	\$259.00	B21UD-ADA	\$339.00
<b>BASE DOUBLE DOOR (ADA)</b>				<i>Upgraded Soft Close Drawer</i>	
B24-ADA	Base Cabinet 24" Wide ADA height	11.9	\$315.00	B24UD-ADA	\$395.00
B27-ADA	Base Cabinet 27" Wide ADA height	13.4	\$327.00	B27UD-ADA	\$407.00
B30-ADA	Base Cabinet 30" Wide ADA height	14.9	\$339.00	B30UD-ADA	\$419.00
B33-ADA	Base Cabinet 33" Wide ADA height	16.3	\$366.00	B33UD-ADA	\$446.00
B36-ADA	Base Cabinet 36" Wide ADA height	17.8	\$374.00	B36UD-ADA	\$454.00
B39-ADA	Base Cabinet 39" Wide ADA height	18.9	\$398.00	B39UD-ADA	\$436.00
B42-ADA	Base Cabinet 42" Wide ADA height	20.4	\$433.00	B42UD-ADA	\$449.00
<b>DRAWER BASE (ADA)</b>				<i>Upgraded Soft Close Drawer</i>	
DB312-ADA	Drawer Base Cabinet 12" Wide ADA height	6.1	\$344.00	DB312UD-ADA	\$584.00
DB315-ADA	Drawer Base Cabinet 15" Wide ADA height	7.5	\$361.00	DB315UD-ADA	\$601.00
DB318-ADA	Drawer Base Cabinet 18" Wide ADA height	9.0	\$379.00	DB318UD-ADA	\$619.00
DB321-ADA	Drawer Base Cabinet 21" Wide ADA height	10.0	\$396.00	DB321UD-ADA	\$636.00
DB324-ADA	Drawer Base Cabinet 24" Wide ADA height	12.0	\$414.00	DB324UD-ADA	\$654.00
DB327-ADA	Drawer Base Cabinet 27" Wide ADA height	12.7	\$423.00	DB327UD-ADA	\$663.00
DB330-ADA	Drawer Base Cabinet 30" Wide ADA height	15.0	\$447.00	DB330UD-ADA	\$687.00

CODE	DESCRIPTION	FT <sup>3</sup>	PRICE
<b>BASE FULL HEIGHT SINGLE DOOR (ADA)</b>			
B12FH-ADA	Full Height Door Base Cabinet 12" Wide ADA height	6.1	\$185.00
B15FH-ADA	Full Height Door Base Cabinet 15" Wide ADA height	7.5	\$199.00
B18FH-ADA	Full Height Door Base Cabinet 18" Wide ADA height	9.0	\$209.00
B21FH-ADA	Full Height Door Base Cabinet 21" Wide ADA height	10.5	\$221.00

## ADA COMPLIANT BASE CABINETS

CODE	DESCRIPTION	FT <sup>3</sup>	PRICE
<b>BASE FULL HEIGHT DOUBLE DOOR (ADA)</b>			
B24FH-ADA	Full Height Door Base Cabinet 24" Wide ADA height	11.9	\$279.00
B27FH-ADA	Full Height Door Base Cabinet 27" Wide ADA height	13.4	\$284.00
B30FH-ADA	Full Height Door Base Cabinet 30" Wide ADA height	14.9	\$296.00
B33FH-ADA	Full Height Door Base Cabinet 33" Wide ADA height	16.3	\$307.00
B36FH-ADA	Full Height Door Base Cabinet 36" Wide ADA height	17.8	\$319.00
B39FH-ADA	Full Height Door Base Cabinet 39" Wide ADA height	18.9	\$359.00
B42FH-ADA	Full Height Door Base Cabinet 42" Wide ADA height	20.4	\$372.00

## ADA COMPLIANT SINK BASE WITH REMOVABLE FRONT



- Wall-mounted ADA compliant cabinet
- Removable front used when ADA compliance not needed

CODE	DESCRIPTION	FT <sup>3</sup>	PRICE
<b>SINK BASE WITH REMOVABLE FRONT (ADA)</b>			
SB30RF-ADA	Sink Base w/ Removable Front ADA Compliant 24" Depth 32.5" Height	14.1	\$863.00
SB33RF-ADA	Sink Base w/ Removable Front ADA Compliant 24" Depth 32.5" Height	15.5	\$871.00
SB36RF-ADA	Sink Base w/ Removable Front ADA Compliant 24" Depth 32.5" Height	16.9	\$884.00
VSB30RF-ADA	Vanity Sink Base w/ Removable Front ADA Compliant 21" Depth 32.5" Height	12.4	\$863.00
VSB33RF-ADA	Vanity Sink Base w/ Removable Front ADA Compliant 21" Depth 32.5" Height	13.7	\$871.00
VSB36RF-ADA	Vanity Sink Base w/ Removable Front ADA Compliant 21" Depth 32.5" Height	14.9	\$884.00

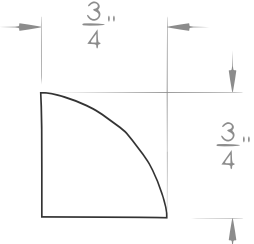
# ADA COMPLIANT VANITY CABINETS

CODE	DESCRIPTION	FT <sup>3</sup>	PRICE	UD CODE	UD PRICE
<b>VANITY BASE (ADA)</b>				<i>Upgraded Soft Close Drawer</i>	
VB12-ADA	Vanity Base Cabinet 12" Wide ADA height	5.0	\$211.00	VB12UD-ADA	\$288.00
VB15-ADA	Vanity Base Cabinet 15" Wide ADA height	6.2	\$223.00	VB15UD-ADA	\$300.00
VB18-ADA	Vanity Base Cabinet 18" Wide ADA height	7.4	\$235.00	VB18UD-ADA	\$313.00
VB21-ADA	Vanity Base Cabinet 21" Wide ADA height	8.4	\$254.00	VB21UD-ADA	\$334.00
VB24-ADA	Vanity Base Cabinet 24" Wide ADA height	8.4	\$286.00	VB24UD-ADA	\$366.00
VB39-ADA	Vanity Base Cabinet 39" Wide ADA height	17.7	\$391.00	VB39UD-ADA	\$468.00
VB42-ADA	Vanity Base Cabinet 42" Wide ADA height	18.2	\$425.00	VB42UD-ADA	\$502.00
<b>VANITY DRAWER BASE (ADA)</b>				<i>Upgraded Soft Close Drawer</i>	
VDB312-ADA	Vanity Drawer Base Cabinet 12" Wide ADA height	5.0	\$339.00	VDB312UD-ADA	\$578.00
VDB315-ADA	Vanity Drawer Base Cabinet 15" Wide ADA height	6.2	\$355.00	VDB315UD-ADA	\$594.00
VDB318-ADA	Vanity Drawer Base Cabinet 18" Wide ADA height	7.4	\$373.00	VDB318UD-ADA	\$612.00
VDB321-ADA	Vanity Drawer Base Cabinet 21" Wide ADA height	8.4	\$391.00	VDB321UD-ADA	\$631.00
VDB324-ADA	Vanity Drawer Base Cabinet 24" Wide ADA height	8.4	\$402.00	VDB324UD-ADA	\$642.00

CODE	DESCRIPTION	FT <sup>3</sup>	PRICE
<b>VANITY SINK BASE SINGLE DOOR (ADA)</b>			
VS21-ADA	Vanity Sink Base 21" wide ADA height	x`	\$229.00
<b>VANITY SINK BASE DOUBLE DOOR (ADA)</b>			
VS24-ADA	Vanity Sink Base 24" wide ADA height	9.9	\$282.00
VS27-ADA	Vanity Sink Base 27" wide ADA height	11.2	\$290.00
VS30-ADA	Vanity Sink Base 30" wide ADA height	13.0	\$300.00
VS33-ADA	Vanity Sink Base 33" wide ADA height	13.5	\$319.00
VS36-ADA	Vanity Sink Base 36" wide ADA height	15.0	\$329.00

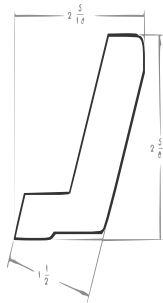
• ADA Vanity Bases 32.5" H and 21" deep

# MOLDINGS

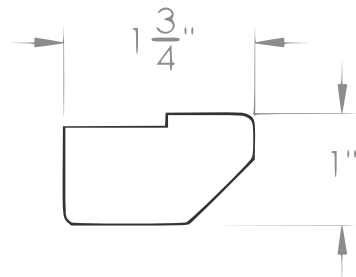
USER CODE	DESCRIPTION	FT <sup>3</sup>	LIST PRICE EACH	LIST PRICE PER 10
				
BATTEN	Batten Scribe Molding	1.0	\$11.00	\$110.00
				
ICM	Inside Corner Molding	1.0	\$15.00	\$150.00
				
OCM	Outside Corner Molding	1.0	\$19.00	\$190.00
				
QRM	Quarter Round Molding	1.0	\$16.00	\$160.00

# MOLDINGS

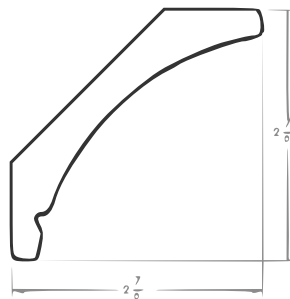
USER CODE	DESCRIPTION	FT <sup>3</sup>	LIST PRICE EACH	LIST PRICE PER 5
-----------	-------------	-----------------	-----------------	------------------



SCROWN	Shaker Crown Molding	1.0	\$74.00	\$370.00
--------	----------------------	-----	---------	----------



SLRAIL	Shaker Light Rail Molding	1.0	\$35.00	\$175.00
--------	---------------------------	-----	---------	----------

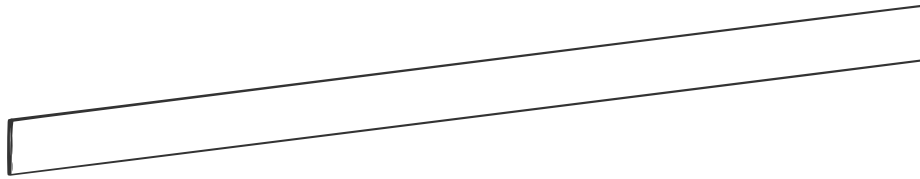


• Shaker Curved Crown Molding requires a starter strip

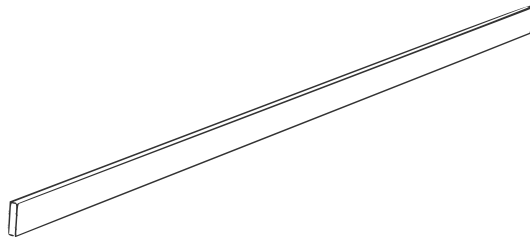
SCCROWN	Shaker Curved Crown Molding	1.0	\$99.00	\$495.00
---------	-----------------------------	-----	---------	----------

# ACCESSORIES

USER CODE	DESCRIPTION	FT <sup>3</sup>	LIST PRICE
-----------	-------------	-----------------	------------

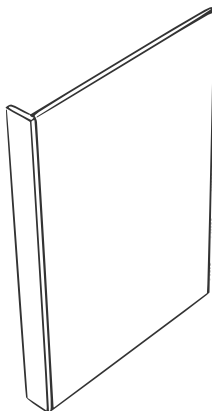


TK96	Toekick 4" X 96"	1.0	\$20.00
------	------------------	-----	---------



- Filler finished on two sides (front, back)
- Filler all edges are unfinished
- MOLD3 wrapped on all sides

UF396	Universal Filler 3" X 96"	1.0	\$38.00
UF696	Universal Filler 6" X 96"	1.0	\$55.00
MOLD3	Wrapped Molding 3" X 96"	1.0	\$42.00

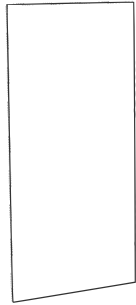


USER CODE	DESCRIPTION	FT <sup>3</sup>	LIST PRICE EACH	LIST PRICE PER 2
DWEP3.0	Dishwasher End Panel 3.0"	1.0	\$130.00	\$260.00



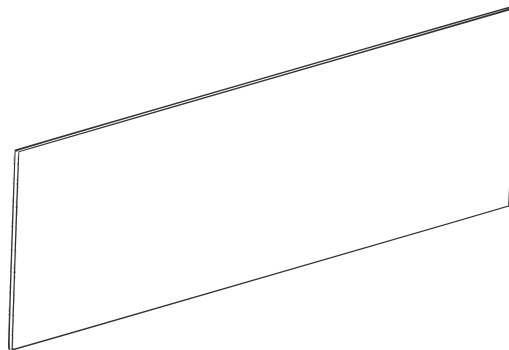
# ACCESSORIES

USER CODE	DESCRIPTION	FT <sup>3</sup>	LIST PRICE
-----------	-------------	-----------------	------------



• All edges are unfinished

P4896-0.375	3/8" Panel 48" X 96"	1.0	\$212.00
P4896-0.75	3/4" Panel 48" X 96"	1.0	\$208.00

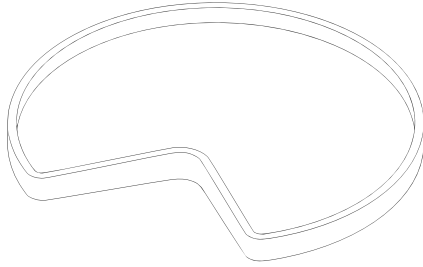


• Thermoplastic edge banding on all four edges

REP2484	Refrigerator End Panel 3/4" X 24" X 84"	1.0	\$197.00
REP3084	Refrigerator End Panel 3/4" X 30" X 84"	1.0	\$237.00
REP2490	Refrigerator End Panel 3/4" X 24" X 90"	2	\$199.00
REP3090	Refrigerator End Panel 3/4" X 30" X 90"	2	\$239.00
REP2496	Refrigerator End Panel 3/4" X 24" X 96"	2	\$202.00
REP3096	Refrigerator End Panel 3/4" X 30" X 96"	2	\$242.00

# ACCESSORIES

USER CODE	DESCRIPTION	FT <sup>3</sup>	LIST PRICE
-----------	-------------	-----------------	------------



- Fits the BER36 cabinet which comes standard with predrilled holes to easily accept this accessory
- Tray material = white plastic

LZSTK	Lazy Susan Tray Kit (One Tray)	2.5	\$100.00
-------	--------------------------------	-----	----------

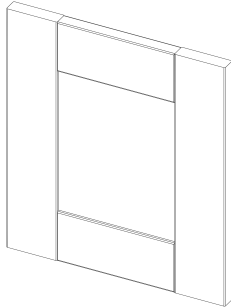


- Trash Pullout Kit is soft closed and fits the B18 or B18FH cabinets which comes standard with predrilled holes to easily accept this accessory
- Does not mount to the door; the door remains hinged

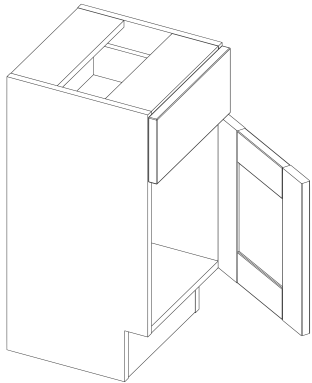
TPOK	Trash Pullout Kit	5.0	\$312.00
B18-TR	B18 Base Cabinet Drawer w/Trash Can Pullout	5.0	\$597.00
B18FH-TR	B18FH Base Cabinet Full Drawer w/Trash Can Pullout	5.0	\$561.00
B18UD-TR	B18UD Base Cabinet Upgraded Drw w/Trash Can Pullout	5.0	\$675.00

# ACCESSORIES

USER CODE	DESCRIPTION	FT <sup>3</sup>	LIST PRICE
-----------	-------------	-----------------	------------



SSDOOR	Sample Shaker Door 10" X 11"		\$17.00
--------	------------------------------	--	---------



MINIBASE	Minibase Cab BB Dwr 12" X 12" X 24"H	2.0	\$184.00
MINIBASEUD	Minibase Sample Cab SC Dwr 12" X 12" X 24"H	2.4	\$224.00

# ACCESSORIES

USER CODE	DESCRIPTION	FT <sup>3</sup>	LIST PRICE
TUKGW	Touch Up Kit	0.25	\$40.00
TUKMG	Touch Up Kit	0.25	\$40.00
MSC	MSC Molding Sample Chain (Not Color Specific)	0.1	\$16.00
CSK	Sample Kit (Not Color Specific)	0.1	\$60.00
WMS	Wall Mounting Screw (Box of 50)		\$18.50
CBPS	Cabinet Binding Post and Screw (Box of 25)		\$114.00

# MODIFICATIONS

USER CODE	DESCRIPTION	LIST PRICE
BDMOD12	Decrease Base Cabinet Depth to 12"	1.5 X List
BDMOD18	Decrease Base Cabinet Depth to 18"	1.5 X List
VDMOD18	Decrease Vanity Cabinet Depth to 18" (Only on Vanity Sink Base Cabinets - Single & Double Door)	1.5 X List
WDMOD15	Increase Wall Cabinet Depth to 15"	1.5 X List
WDMOD18	Increase Wall Cabinet Depth to 18"	1.75 X List
WDMOD21	Increase Wall Cabinet Depth to 21"	1.75 X List
WDMOD24	Increase Wall Cabinet Depth to 24"	2 X List

• Full Height (FH) and Sink Base (SB) modifications only. Cannot modify the depth of drawer cabinets (B and DB)

# CARE & CLEANING

## INDOOR AIR QUALITY

For normal spills, a damp cloth is sufficient. Remember to dry the surface immediately. 360° wrapped melamine laminate doors can be cleaned with most general purpose household kitchen or bath cleaners. Do not use strong acids or caustic agents and/or abrasive scrubbers. Nicks and dings can be repaired with touch-up kits. Cabinet interiors can be cleaned with a damp sponge, a cloth using soapy water, or most general purpose household cleaners. Do not let liquids stay on the surface for a long period of time.

### **SAUDER CABINETRY IS TSCA TITLE VI COMPLIANT**

All Sauder Cabinetry meets or exceeds the standards set forth by TSCA TITLE VI for formaldehyde emission standards which are identical to CARB limits.



# INSTALLATION SUGGESTIONS

## HINGE ADJUSTMENTS (FIGURE 1)

**Soft close hinges can be adjusted six ways.** Adjust doors left and right with screw A. Adjust doors in and out (closer or further from the face of the cabinet) with screw B. Adjust doors up and down by loosening screw C on all door hinges; then, turn screw D the same direction and the same amount for each hinge.

## DRAWER FRONT ADJUSTMENTS (FIGURE 2)

**Standard Drawers** - Loosen wafer head screws slightly on inside of drawer box. Adjust drawer front as necessary and re-tighten screws.

**Upgraded Drawers** - Drawer front can be adjusted six ways. Pop off the plastic cover on each side. Adjust drawer front up and down by loosening screw A on each side; next, turn screw B to raise or lower the front. Adjust drawer front left and right by turning screw C; each side of the drawer box must be adjusted oppositely. For example, adjust the left counterclockwise by a half turn and adjust the right clockwise by a half turn.

## FILLER STRIP INSTALLATION

For optimum installation, drill a pilot hole at least 1" deep (or to the full depth of the screw) using a 1/8" drill bit. Use a #8 screw at least 1 5/8" long. *Note: failure to drill a pilot hole will result in MDF splitting. Common screw types such as drywall, decking, construction, cabinet, and trim screws can be used; however, screws with self-drilling tips are best to minimize the risk of splitting the MDF.*

## BINDING POSTS

To best align and secure cabinets together, drill through unused shelf pin holes with a 1/4" bit, and secure the cabinets with binding posts through the holes.

## MOUNTING SCREWS

Recommend using at least 3" mounting screws into studs for all Wall Cabinet installations. WMS screws available.

FIGURE 1

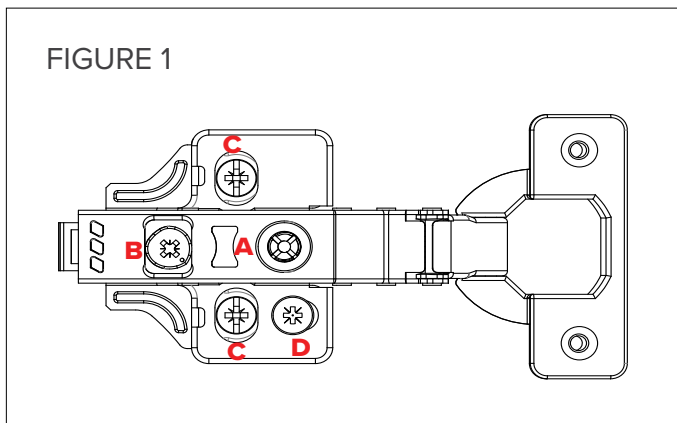
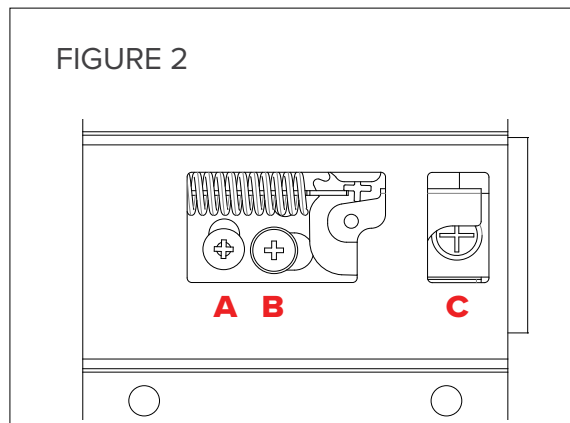


FIGURE 2





# WARRANTY

## LIMITED 1-YEAR WARRANTY

- 

Sauder Cabinetry warrants its products to the original purchaser to be free from all defects in material and workmanship under normal use for a period of one year from the original purchase date. Items included in this warranty are cabinet boxes, doors, drawers, shelves, and any accessories that are manufactured by Sauder Cabinetry. Any accessories and other products sold with or as part of any of the above-mentioned products that were not manufactured by Sauder Cabinetry are excluded from coverage by this limited warranty.

## WARRANTY LIMITATIONS & EXCLUSIONS

- 

This warranty does not cover any misuse, abuse, neglect, improper storage, exposure to moisture or extreme temperatures, improper installation, improper maintenance, or acts of God. The warranty does not apply to items that have been modified from their original form. In addition, this warranty does not cover any wear or deterioration resulting from natural aging, including expansion, contraction, hairline cracks or minor separation of seams. This warranty shall not apply in situations where loading or performance expectations exceed the Kitchen Cabinet Manufacturers Association testing and certification standards. In addition, this warranty does not cover products used in conjunction with Sauder Cabinetry cabinets, such as appliances, counter tops, or plumbing fixtures. No installer, retailer, distributor, or agent has the authority to alter the obligations or limitations in this warranty.



Sauder Cabinetry will not provide or pay for the cost of removal of defective product, transportation and shipping of defective, repaired or replaced product or installation of repaired or replaced product, regardless of whether the work is performed by a contractor, service company, or consumer. If the defective item is discontinued or not available, Sauder Cabinetry reserves the right to replace the item with the most similar item available at that time. Sauder Cabinetry may require, at its discretion, that the customer submit a clear photo, or that the installer, contractor, or service company view the item being claimed before honoring the warranty. Sauder Cabinetry must be notified in writing, within 90 days after discovering any defect in order to receive limited warranty coverage.

## **WARRANTY PERFORMANCE**

-



**saudercabinetry@sauder.com**  
**800-472-2722**



**Sauder Cabinetry**

502 Middle Street  
Archbold, OH 43502

**PHONE**  
800-472-2722

**EMAIL**  
saudercabinetry@sauder.com

**WEBSITE**  
www.saudercabinetry.com



ANSI/KCMA A101.1



KITCHEN CABINET MANUFACTURERS ASSOCIATION  
ENVIRONMENTAL STewardSHIP PROGRAM (ESPP)  
ALL PRODUCTS IMPACT THE ENVIRONMENT  
FOR ESP PROGRAM CRITERIA, VISIT KCMACRG