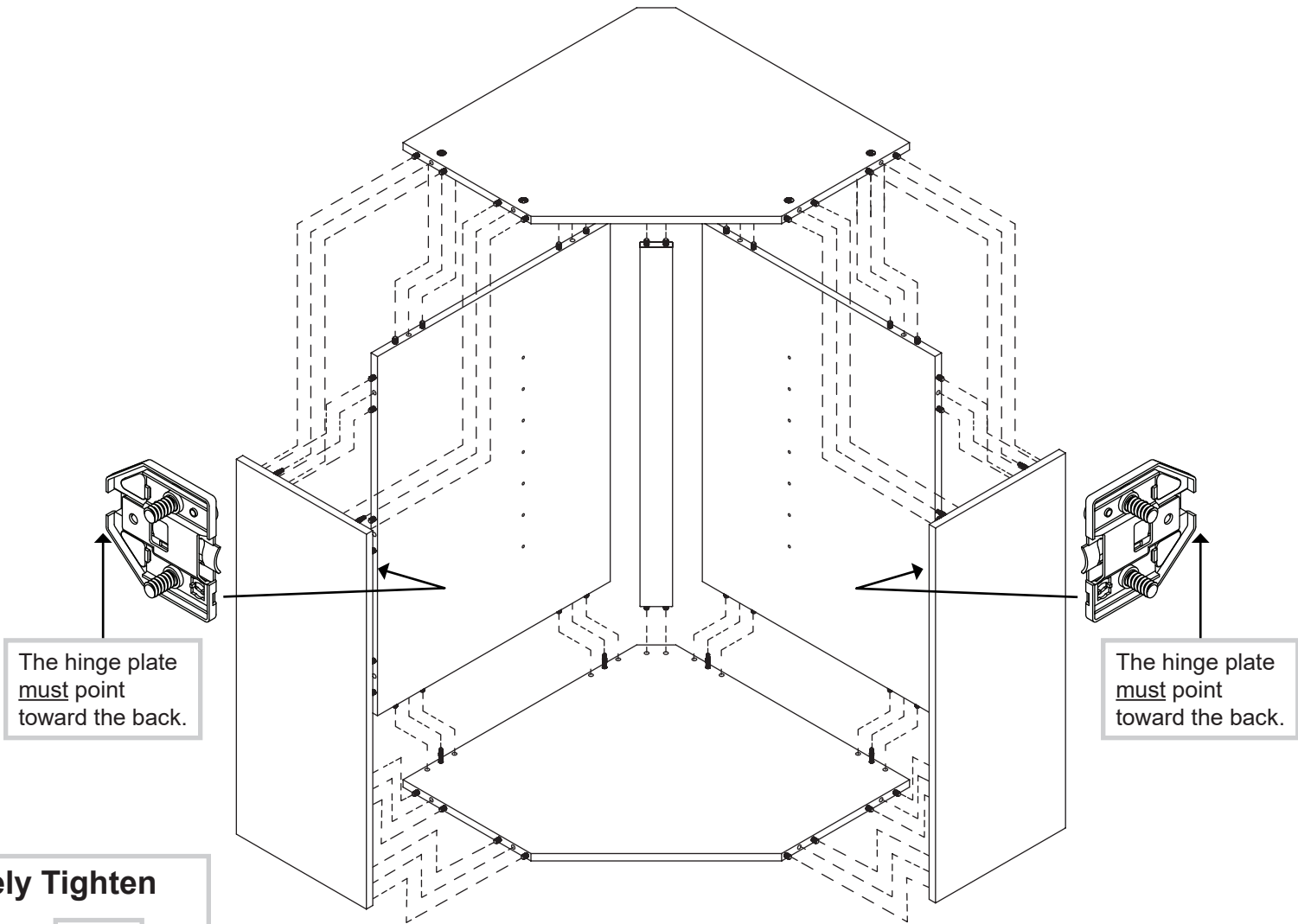


Wall Diagonal Assembly Instructions

Glue is recommended for structural integrity.
Before assembly, install hardware to parts as shown.



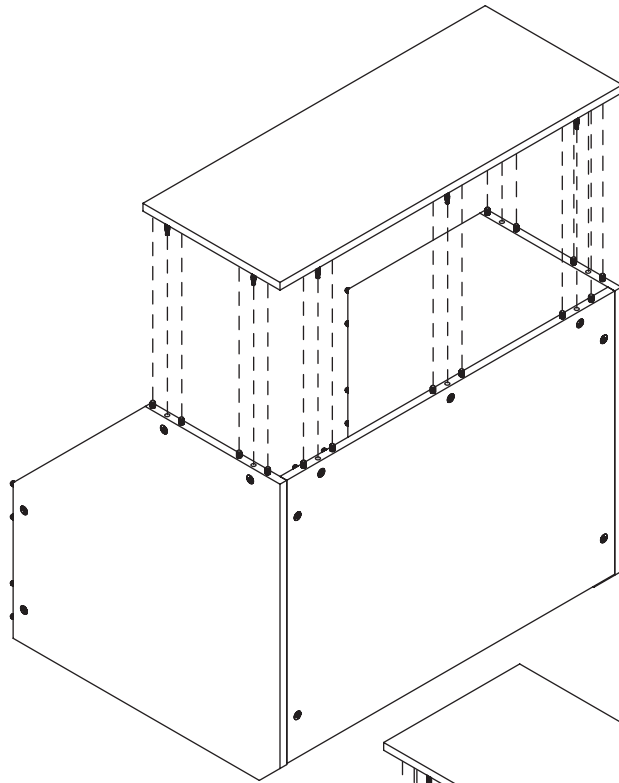
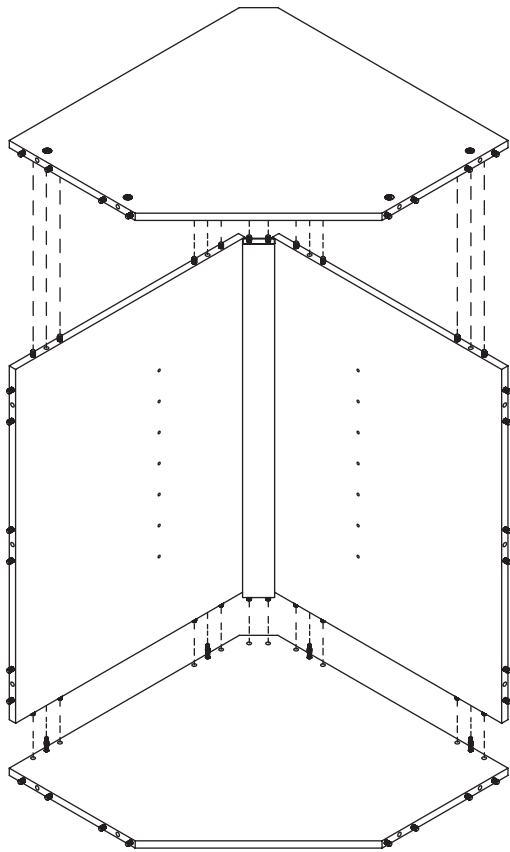
Completely Tighten

Maximum 210 degrees

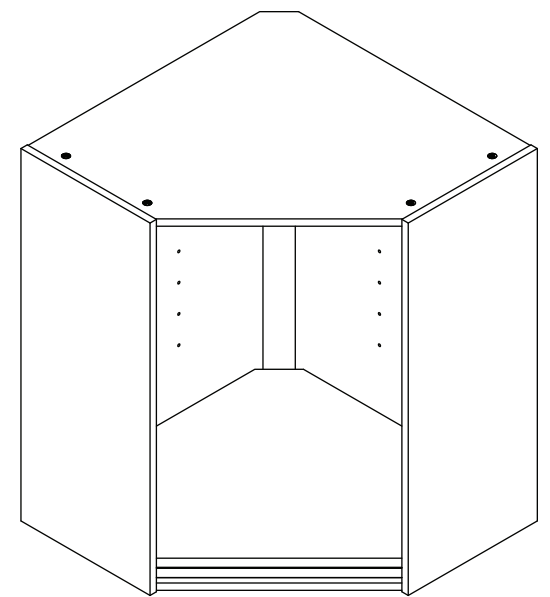
Minimum 190 degrees

Arrow

This inset diagram shows a close-up of a hinge adjustment knob. An arrow points to the adjustment mechanism. Two labels indicate the range of adjustment: "Maximum 210 degrees" and "Minimum 190 degrees".



For easier shelf insertion,
place both shelves in the
bottom of the unit.



To complete the door
assembly, refer to the Door
Assembly instruction sheet.

