

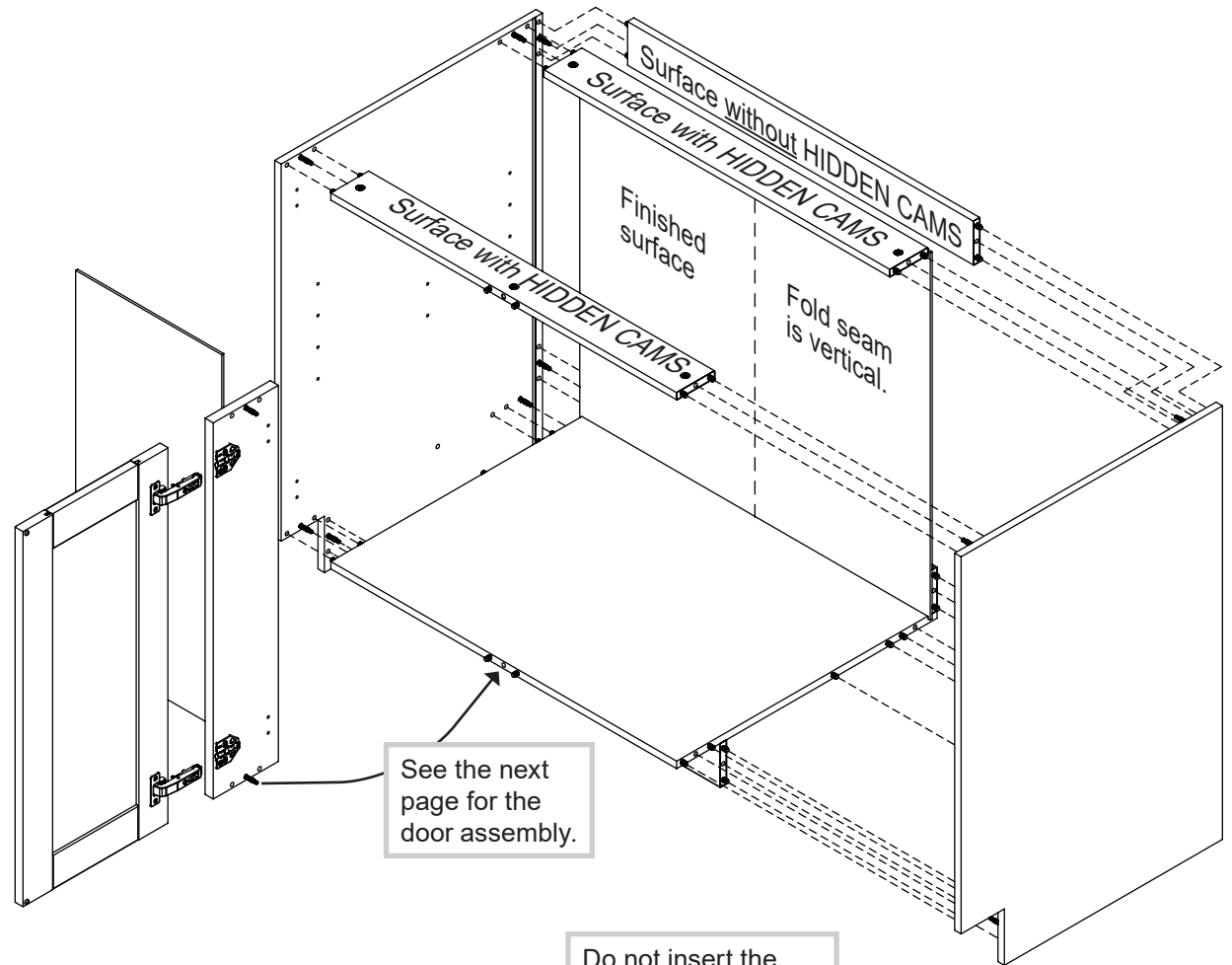
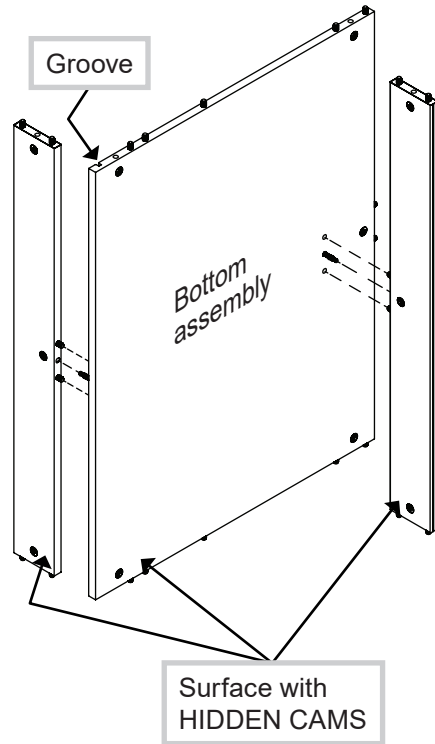
Base Blind Assembly Instructions

Glue is recommended for structural integrity.

First, build the Bottom assembly.

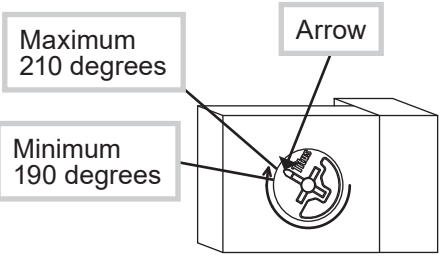
Before assembly, install hardware to parts as shown.

FIRST task



Do not insert the adjustable shelf until home installation.

Completely Tighten



Position the hinge plate exactly as shown.

To complete the door assembly, refer to the Door Assembly instruction sheet.

With someone's help, fasten the door assembly to the unit.

Using a Rubber Mallet, tap the hinges into the door.

