

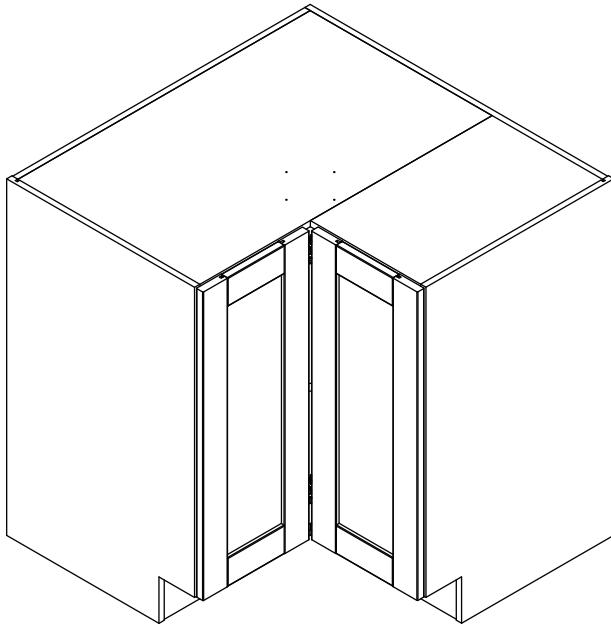
Corner Base Assembly Instructions

NOTE: This unit assembly requires two people.

Refer to the Assembly Tips & Door Assembly sheets for hardware tips.

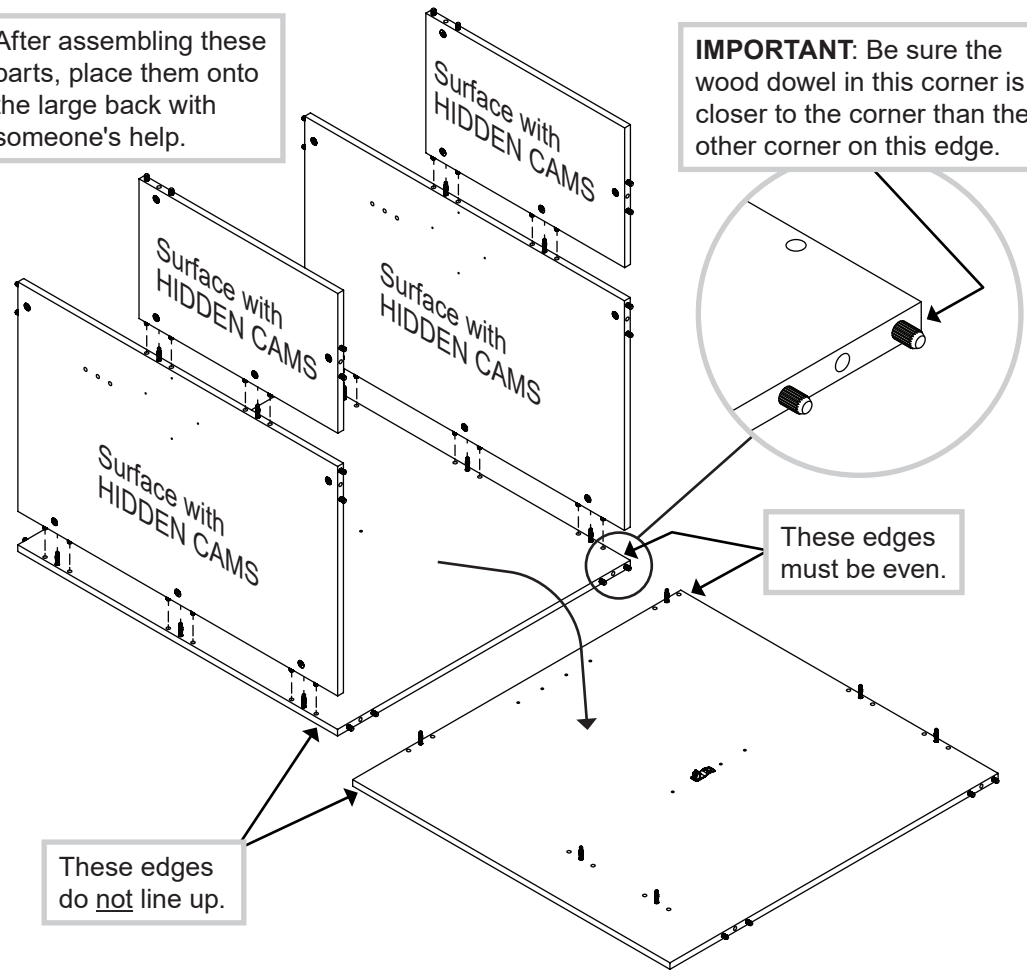
Before assembly, install hardware to parts as shown.

Glue is recommended for structural integrity.

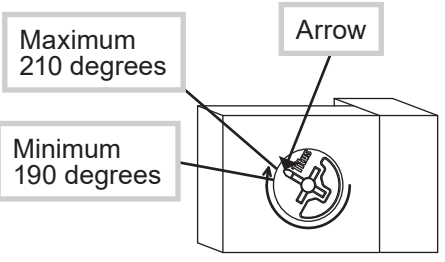


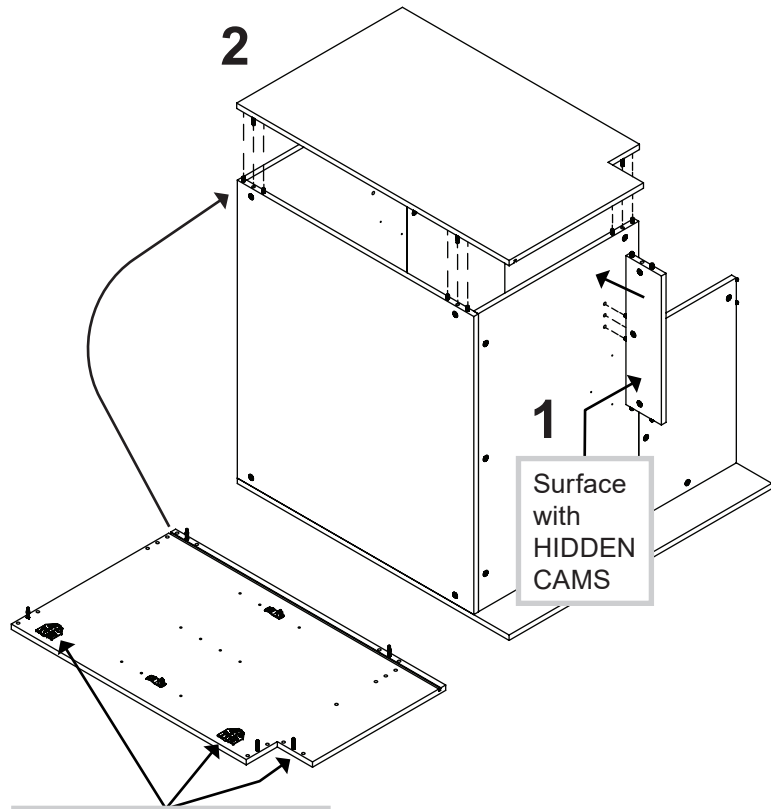
After assembling these parts, place them onto the large back with someone's help.

IMPORTANT: Be sure the wood dowel in this corner is closer to the corner than the other corner on this edge.

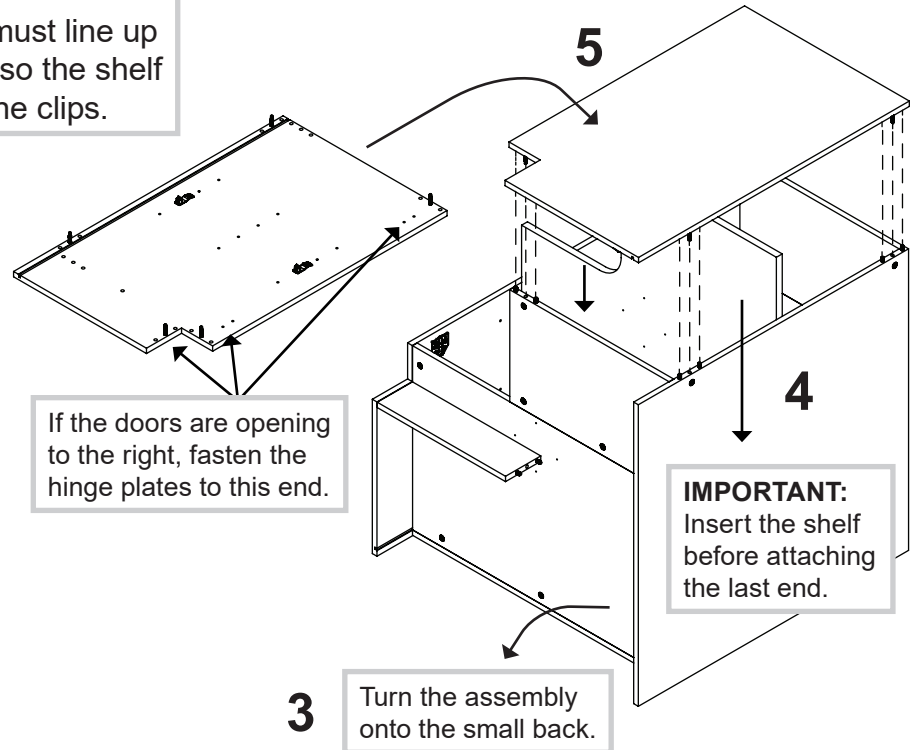


Completely Tighten

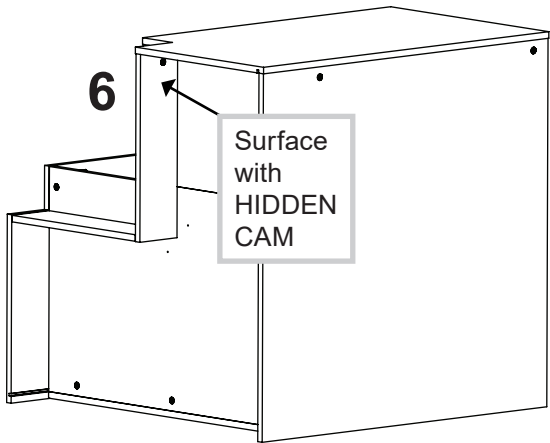




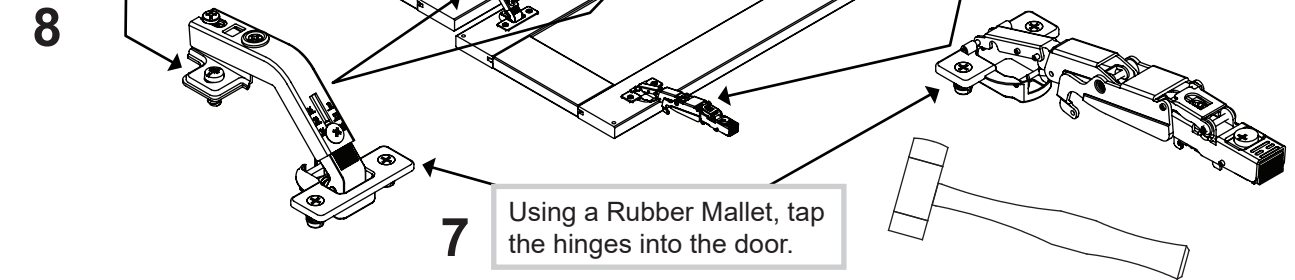
IMPORTANT:
The shelf clips must line up with each other so the shelf fits evenly into the clips.



If the doors are opening to the left, fasten the hinge plates to this end.



Use the screws in this end of the hinge.



7 Using a Rubber Mallet, tap the hinges into the door.