



Sales, service installations,  
Alpine Appliance Installations Ltd.  
www.alpinecanada.com  
604-980-8889 tollfree 1-833-980-8889

Model#  
**SA-10-0002-NG**  
**SA-10-0002-LP**

# Evo® Professional Wheeled Cart - Residential



**SHORT FORM SPECIFICATIONS:**  
The Evo Professional Wheeled Cart has a 30" (762mm) diameter black seasoned steel cook surface heated underneath by inner and outer gas tube burners. Surface temperatures range from 225°F to 550°F (121°C to 288°C) from the center to the outside edge. A stainless steel drip pan completely surrounds the underside of the cook surface catching all food debris. The Professional Wheeled Cart is the ideal grill for creating a social cooking space on your patio or deck. Available with either Natural Gas or LP Propane.

## Gas Circular Flattop Grill OUTDOOR

### Circular Flattop Grill Designed To Create A Social Cooking Space At Home

- 30" (762mm) circular black seasoned steel cooking surface.
- Two circular temperature zones: inner and outer surface.
- Variable temperatures 225°F to 550°F (121°C to 288°C).
- With LP Propane gas 48,000 BTUs.
- With Natural Gas 48,000 BTUs.
- Knobs separately control inner and outer burners.
- Electronic push button ignition.
- LP Propane gas standard, and Natural Gas option.

### Designed To Setup And Cook Outdoors

- Wheeled positioning on patios or decks.
- Rear handle allows push or pull placement.
- Stainless steel tank sleeve conceals gas tank.
- Quick release removable cook surface and drip pan.

### Easy Operation, Easy Maintenance, Easy Cleanup

- Cooking techniques: sauté, braise, flattop (plancha) grilling, pan fry, roast, poach, steam, toast.
- Cooking surface is extremely durable and easy to clean.
- Stainless steel burners are protected against spill overs.
- Stainless steel drip pan surrounds cook surface with side mounted spill collection tray.

## Data

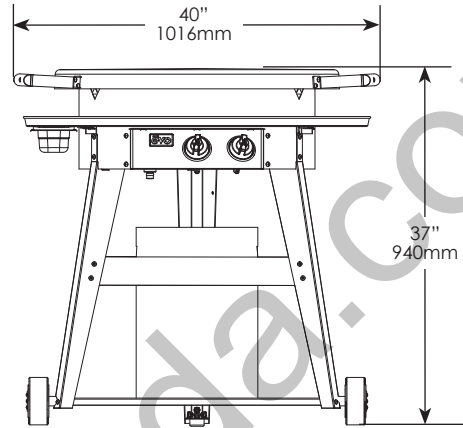
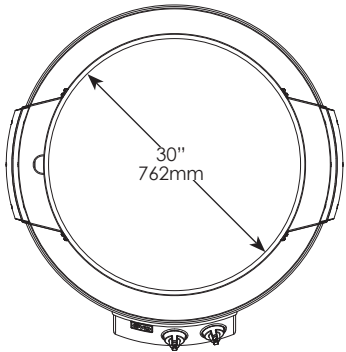
Model	Cook Surface	Dimensions		BTU Rate	Net Weight	Ship Weight
		H	W			
SA-10-0002-NG natural gas	30 Inches	37"	40"	NG 48,000	166 lbs 75 kg	245 lbs 111 kg
SA-10-0002-LP propane		940mm	1016mm	LP 48,000		

Due to ongoing product improvement, specifications are subject to change without notice.

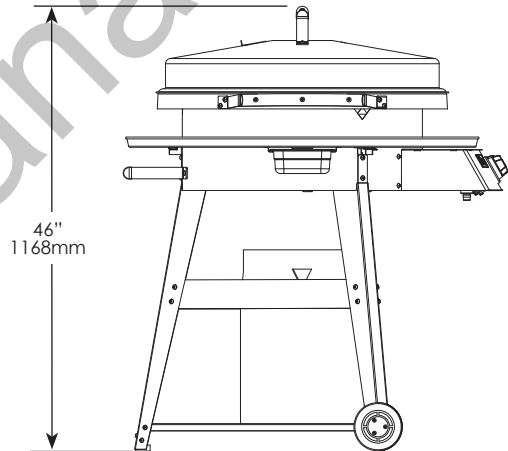




Model# **SA-10-0002** **Evo® Professional Wheeled Cart - Residential**



**Optional Accessories**



**INSTALLATION REQUIREMENTS**

Cooking surface must be installed level.  
Outdoor installation with minimum 12" (305mm) to adjacent combustible construction extended above the top of the appliance: 12" (305mm) from sides and 12" (305mm) from back.

**NATURAL GAS CONNECTION**

**OPERATING PRESSURE**  
No regulator, connect to an outlet pressure of 7" water column.  
**INLET / SUPPLY CONNECTION**  
1/2" FNPT. 12' Hose with 1/2" FNPT Quick Disconnect Supplied.  
1/2" NPT to 3/8" Flare supplied.  
BTUs: 48,000  
**CONNECTION LOCATION** Model #SA-10-0002-NG  
Under Front Control Panel.

**LP PROPANE CONNECTION**

**OPERATING PRESSURE**  
Regulator is set for an outlet pressure of 11" water column.  
**INLET / SUPPLY CONNECTION**  
1/2" FNPT Inlet. 5' Hose & Regulator with QCC1 Supplied.  
1/2" NPT to 3/8" Flare supplied.  
BTUs: 48,000  
**CONNECTION LOCATION** Model # SA-10-0002-LP  
Under Front Control Panel.

**DIMENSIONS**

**MAXIMUM (H X W)**  
46" x 40" with hood (1168mm x 1016mm)  
37" x 40" without hood (940mm x 1016mm)  
**COOK SURFACE**  
30" diameter (762mm)

**WEIGHT**

NET: 166 lb EST. (75 kg)  
SHIP: 245 lb EST (111 kg)  
CRATE DIMENSIONS: 45.5" x 45.5" x 52" (1156mm x 1156mm x 1321mm)

**STANDARD FEATURES**

- 30" circular black seasoned steel cook surface over dual independent manually controlled gas burners.
- Quick release removable cook surface and drip pan.
- Electronic push button ignition.
- Stainless steel lid.

**ACCESSORIES INCLUDED**

- Professional grill surface cleaning kit (3M brand) - Includes handle, cook surface cleaning pad and screen.
- 2 stainless steel spatulas and 1 stainless steel scraper.
- Owner's Manual, Use and Care Instructions & Evo Color Illustrated Cookbook.