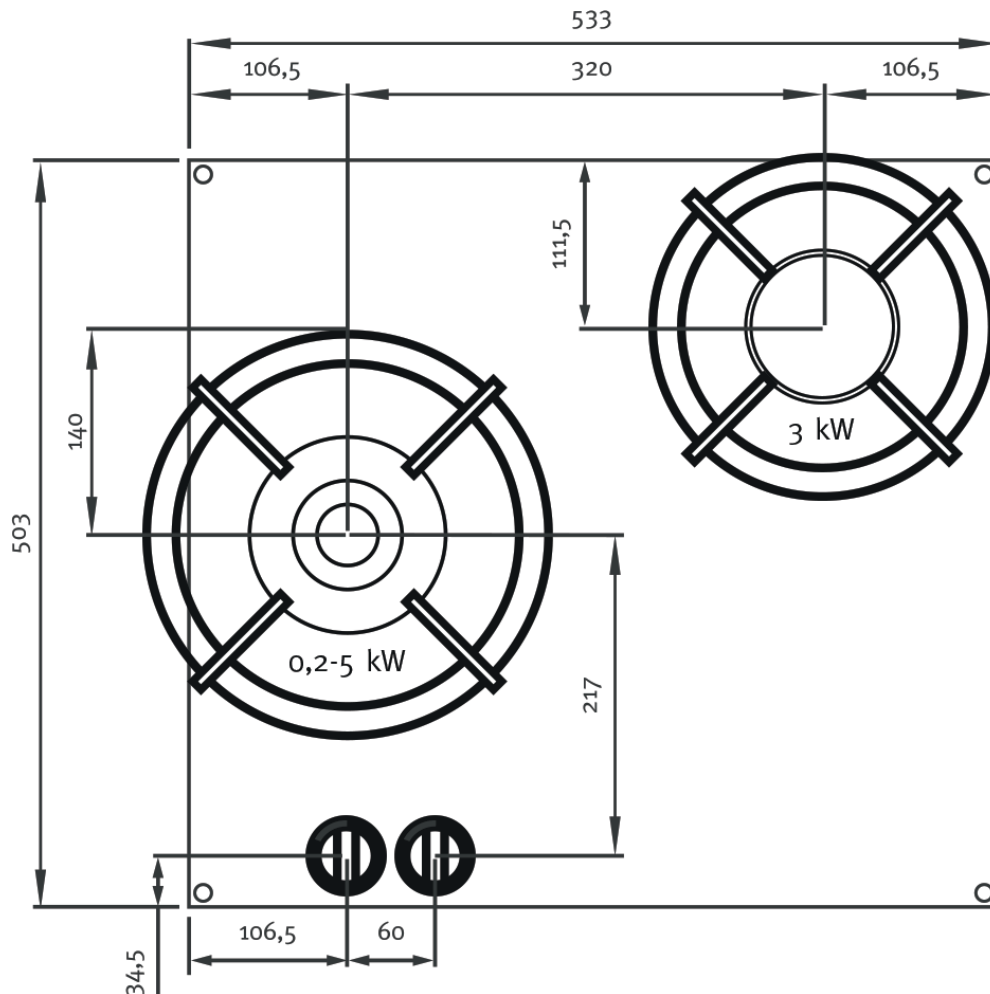
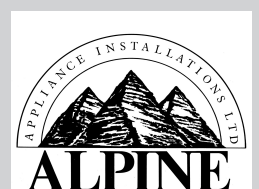


# Technical document Baluran

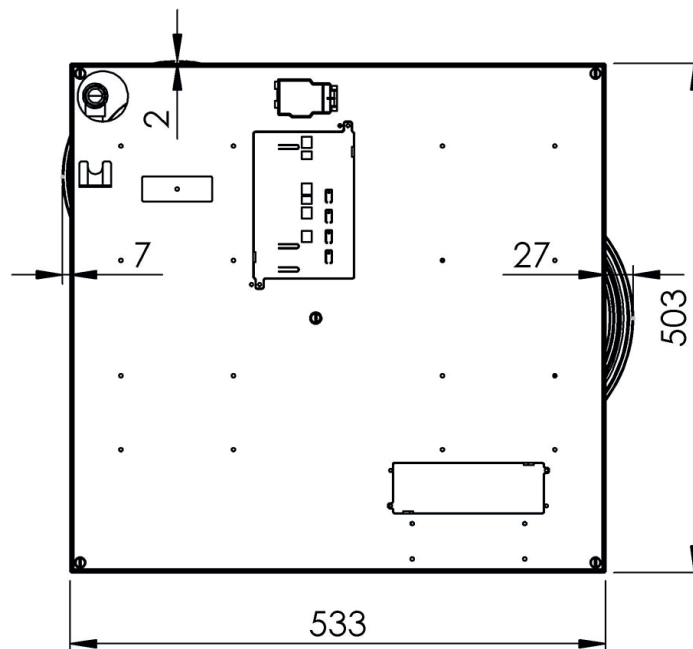


View from top



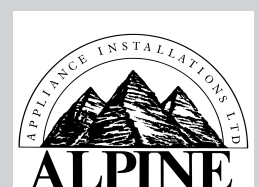
# Technical document Baluran

---



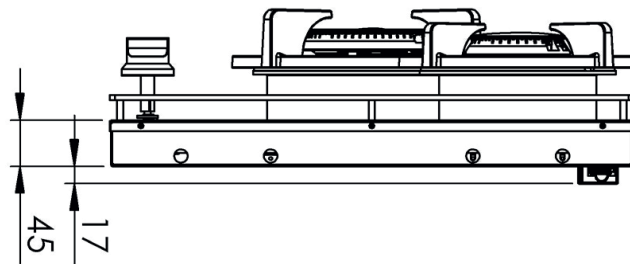
View from back

---



# Technical document Baluran

---

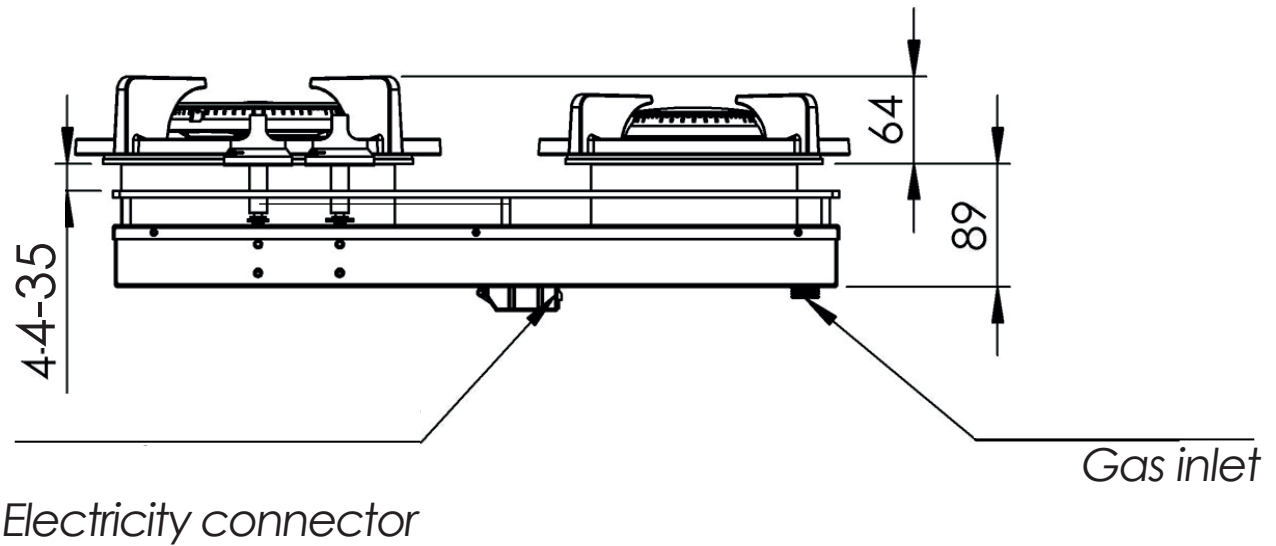


View from side

---

# Technical document Baluran

---

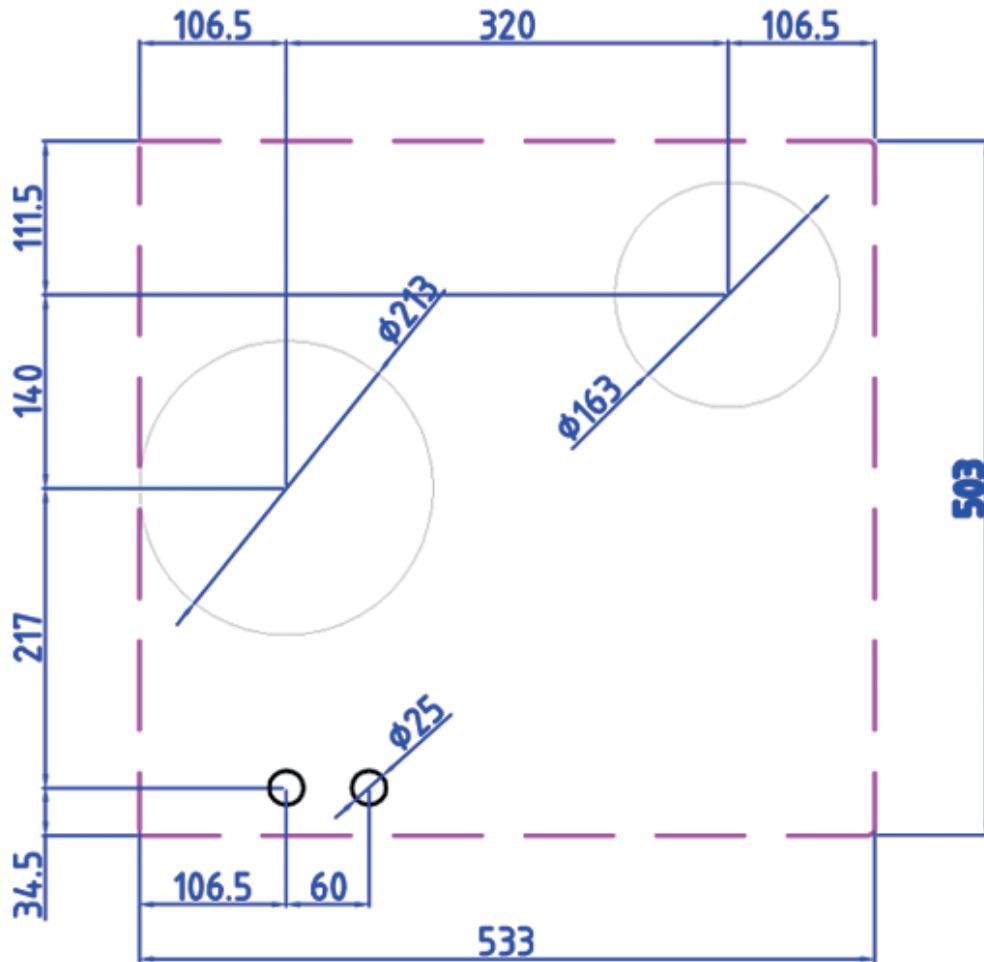


View from front

---



# Technical document Baluran



## Hole pattern

*Please contact us for DFX files or other information.*

