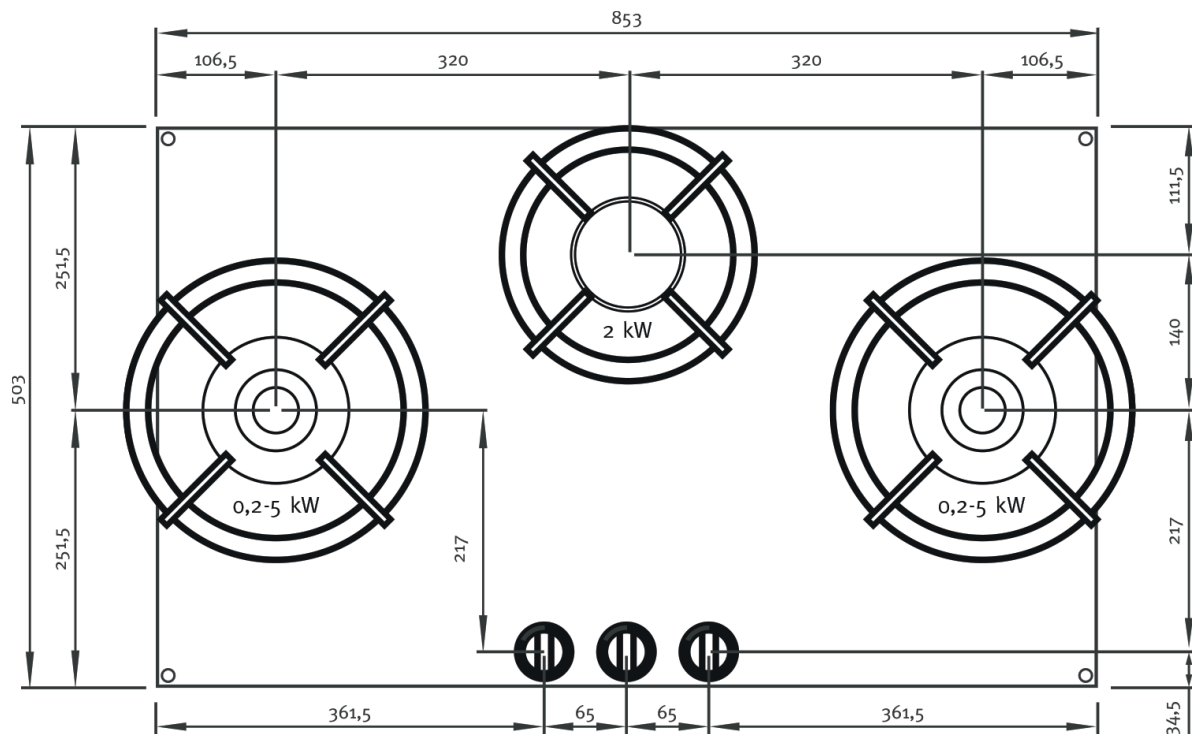
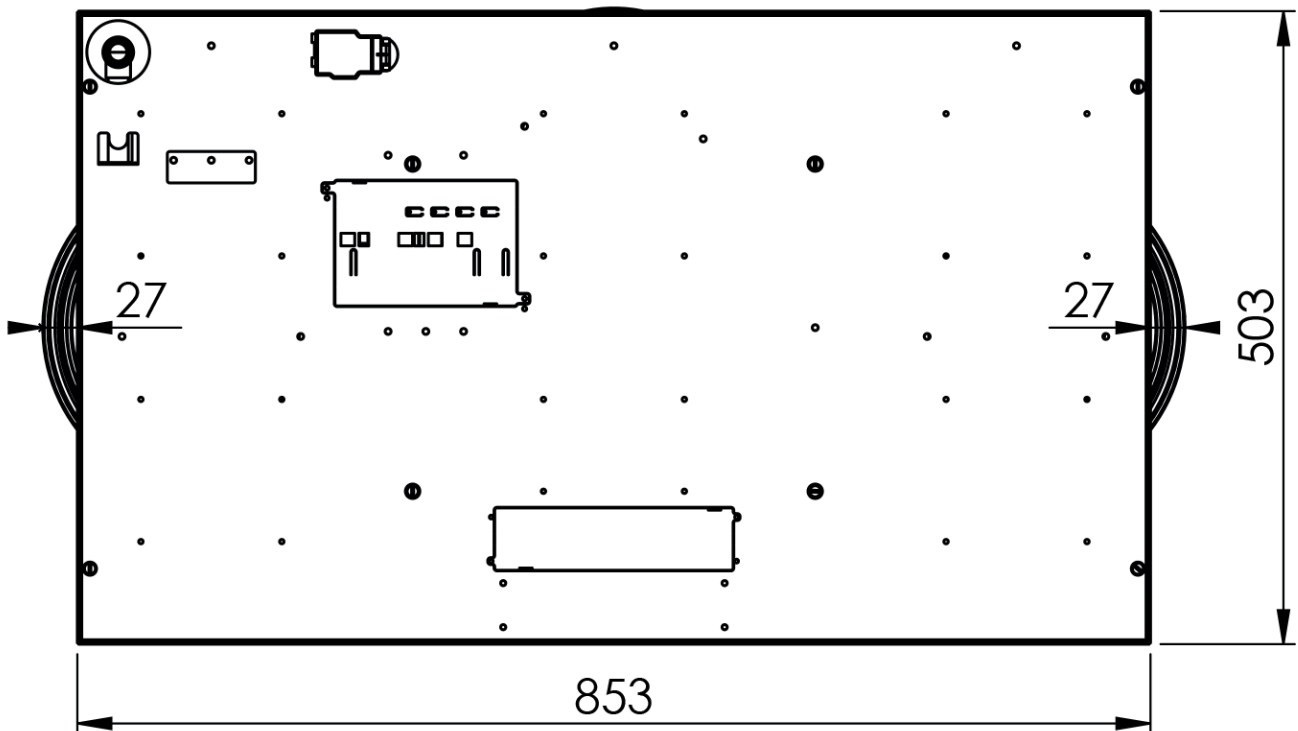


Technical document Colo**PITT**
COOKING

View from top

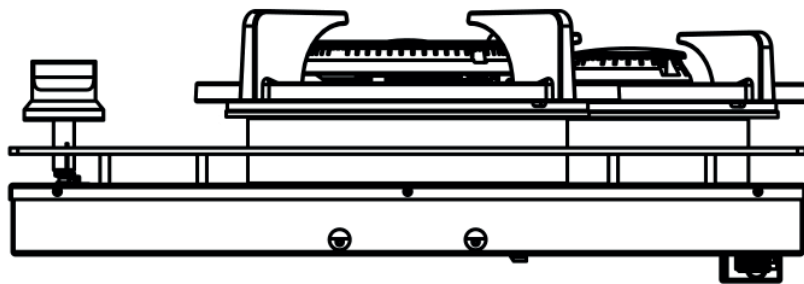
Technisch document / Technical document Colo



View from back

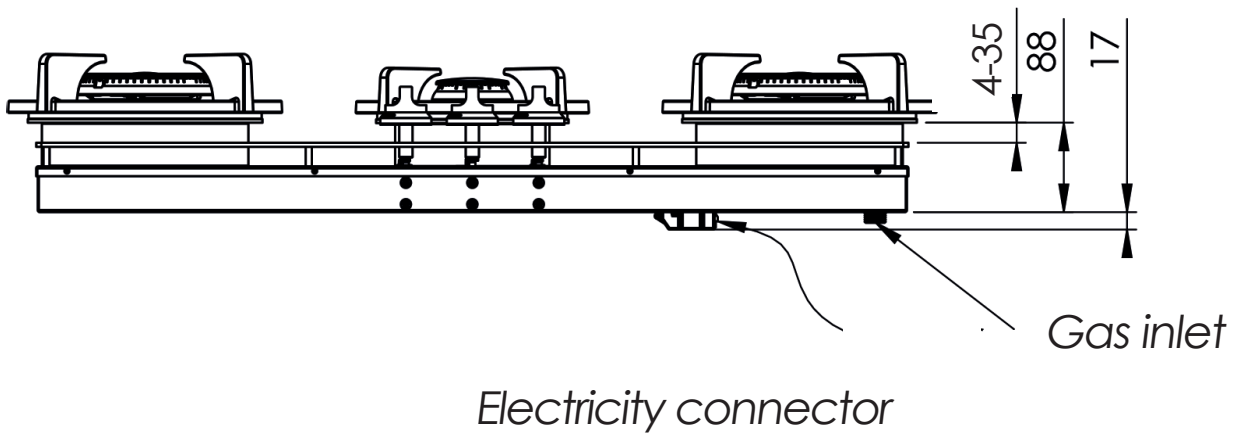


Technisch document / Technical document Colo

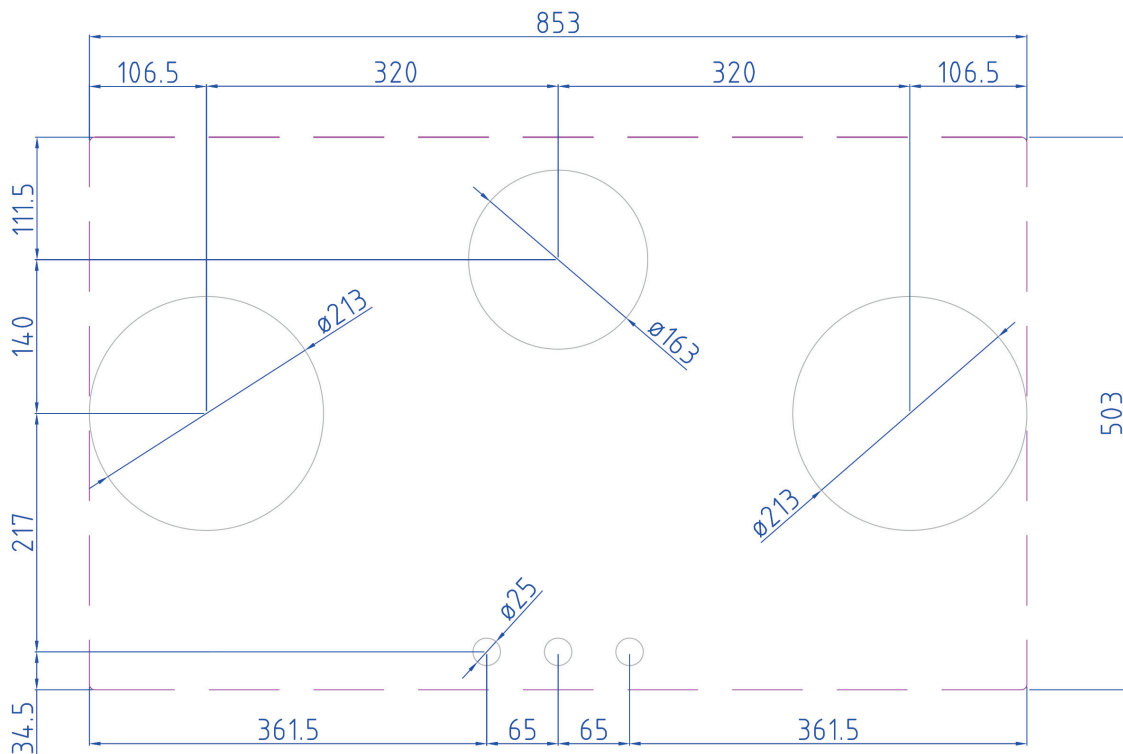


View from side

Technical document Colo



View from front

Technical document Colo**PITT**
COOKING

Hole pattern

Please contact us for DXF files and other information