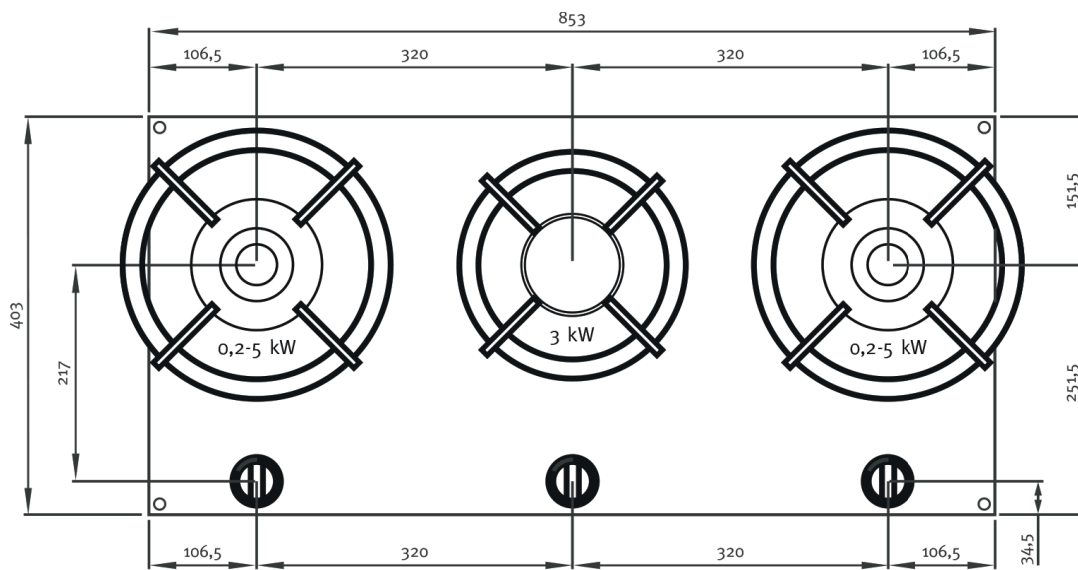


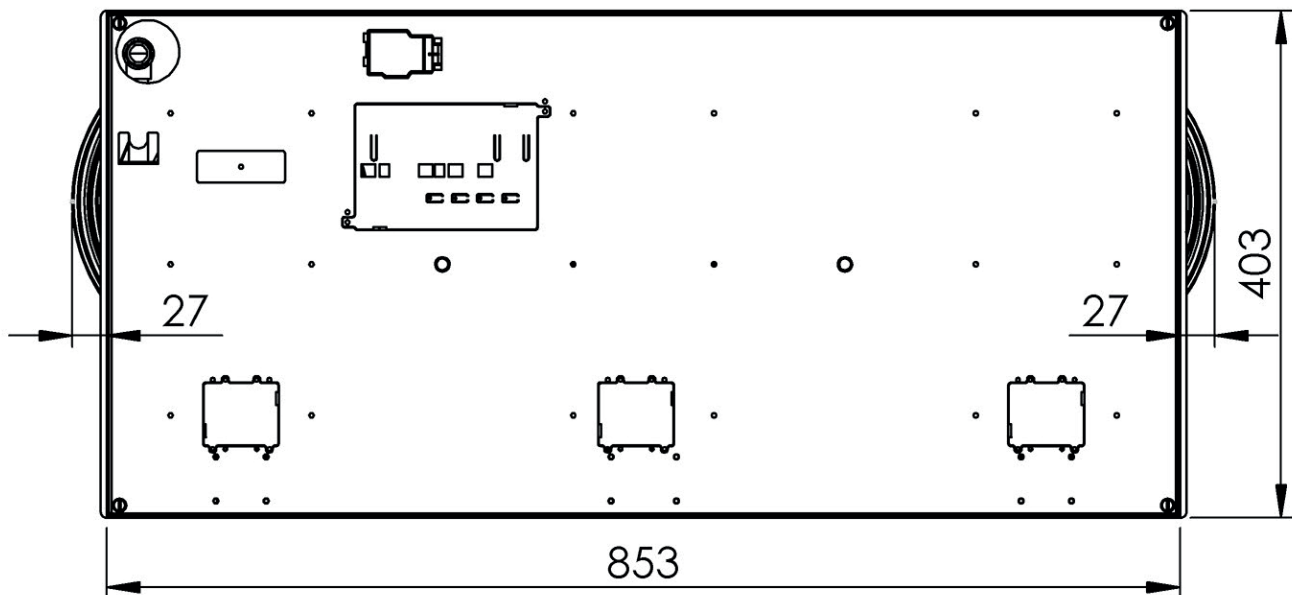
Technical document Cusin



View from top



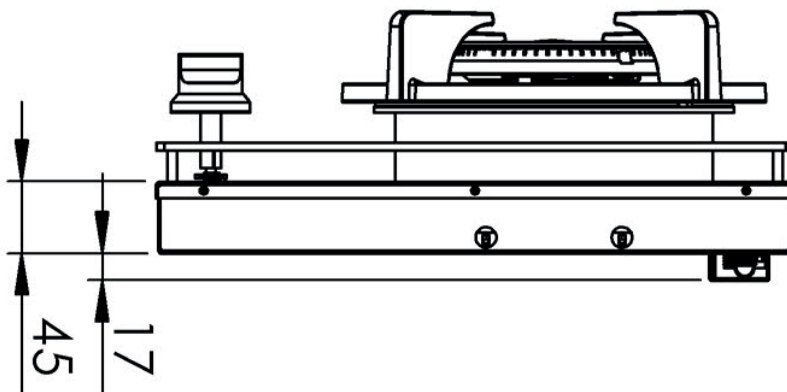
Technical document Cusin



View from back

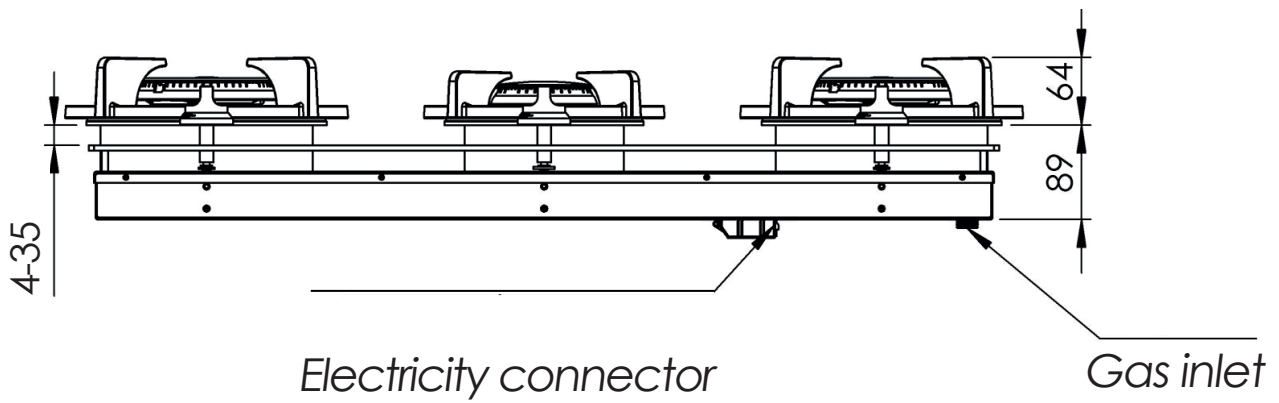


Technical document Cusin



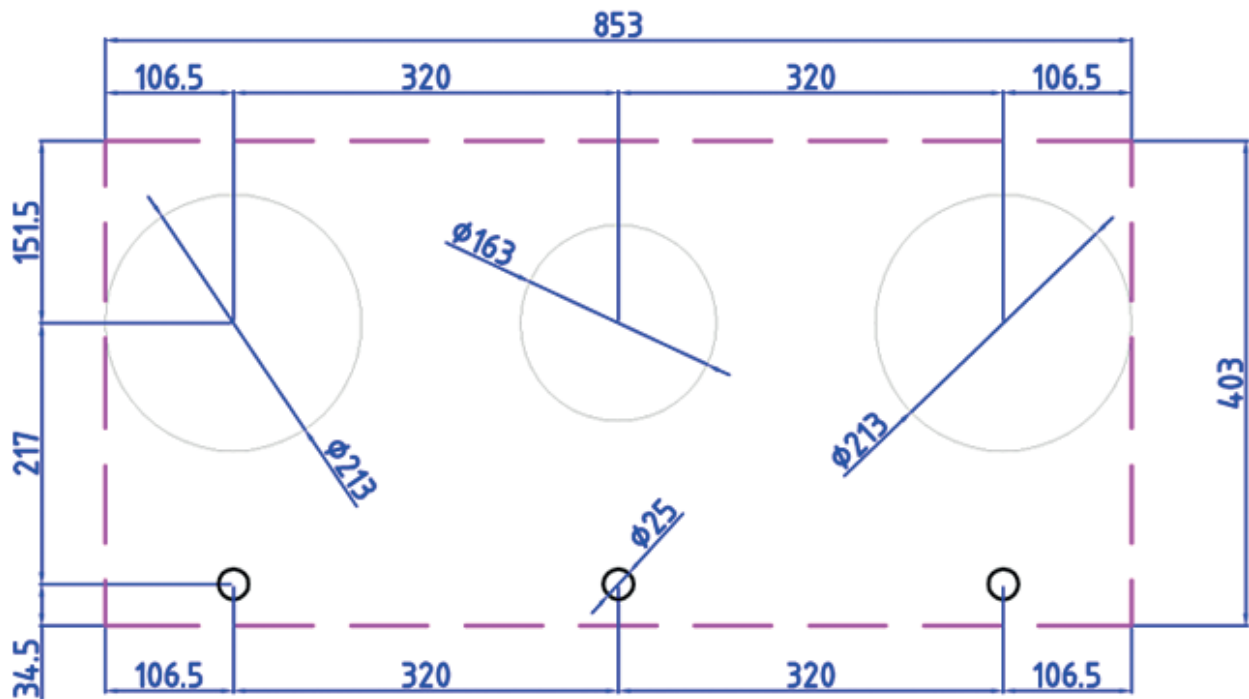
View from side

Technical document Cusin



View from front





Hole pattern

Please call for Hole pattern in DXF file format