

**Seattle Boat Show 2023**  
**Women's Boat Show University**  
**How to Make Friends with Your Boat's Inboard Engine**  
**Capt Margaret Pommert**  
**Notes and links for participants**

---

My website (free)

<https://seattleonthewater.com/>

<https://seattleonthewater.com/marine-diesel-engines-1>

Diesel and other classes at Cruiser's College, Anacortes WA:

<https://cruiserscollege.org/classes-and-events/>

Women's diesel 101 at Cruiser's College:

<https://youtu.be/QBLTYobTZEo>

Free, customizable Excel spreadsheet for maintenance of engine and boat:

<https://mvdirona.com/2015/03/maintenance-log/>

Nigel Calder online marine electrical class (diesel class coming soon 😊)

<https://boathowto.com/>

Beta engine operator's manual:

[https://betamarine.co.uk/resources/Operators\\_Manuals/10-115T-HE-OM/#page=1](https://betamarine.co.uk/resources/Operators_Manuals/10-115T-HE-OM/#page=1)

Beta engine maintenance schedule:

[https://betamarine.co.uk/resources/Operators\\_Manuals/10-115T-HE-OM/#page=33](https://betamarine.co.uk/resources/Operators_Manuals/10-115T-HE-OM/#page=33)

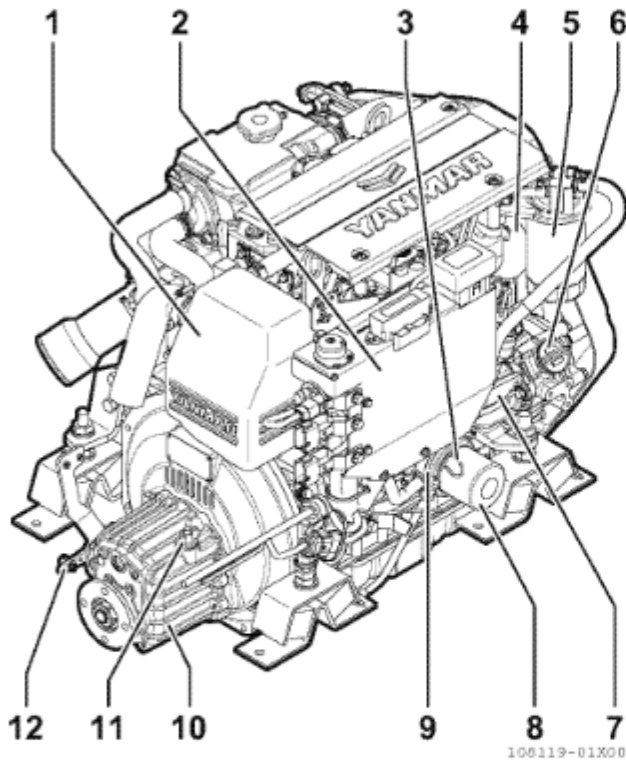
Yanmar 3jh40

<https://www.yanmar.com/marine/product/engines/3jh40/>

# COMPONENT IDENTIFICATION

Figure 1 and Figure 2 illustrate a typical version of a 3JH40 engine. Your engine may have different equipment from that illustrated.

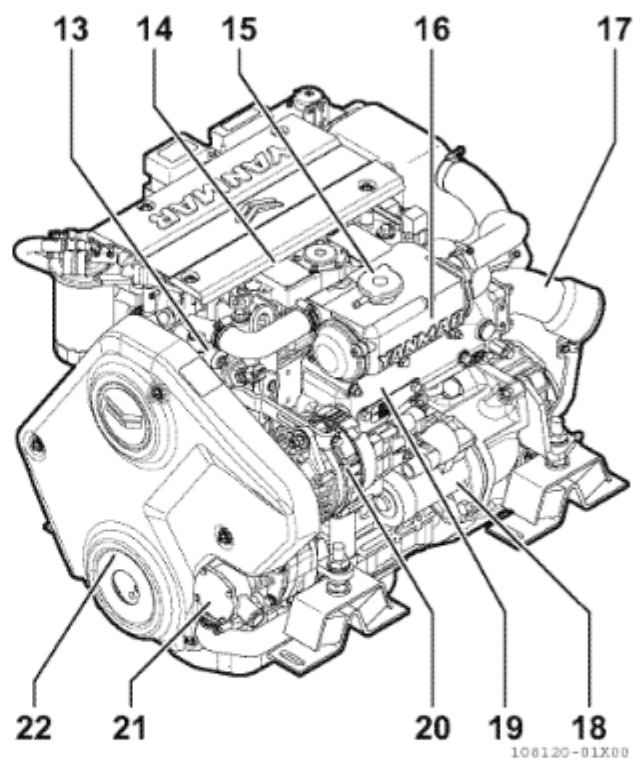
**Right Side (Viewed from Flywheel) - 3JH40**



**Figure 1**

- 1 – Intake silencer
- 2 – ECU cover
- 3 – Engine oil dipstick
- 4 – Intake manifold
- 5 – Fuel filter
- 6 – Engine oil filler cap
- 7 – Fuel supply pump
- 8 – Engine oil filter
- 9 – Engine oil cooler
- 10 – Marine gear (KM35P)
- 11 – Marine gear oil dipstick
- 12 – Shift lever

**Left Side (Viewed from Flywheel) - 3JH40**



**Figure 2**

- 13 – Coolant pump
- 14 – Engine nameplate (on rocker arm cover)
- 15 – Coolant filler cap
- 16 – Coolant tank/Heat exchanger
- 17 – Exhaust/water mixing elbow
- 18 – Starter motor
- 19 – Exhaust manifold
- 20 – Alternator
- 21 – Seawater pump
- 22 – Belt cover