

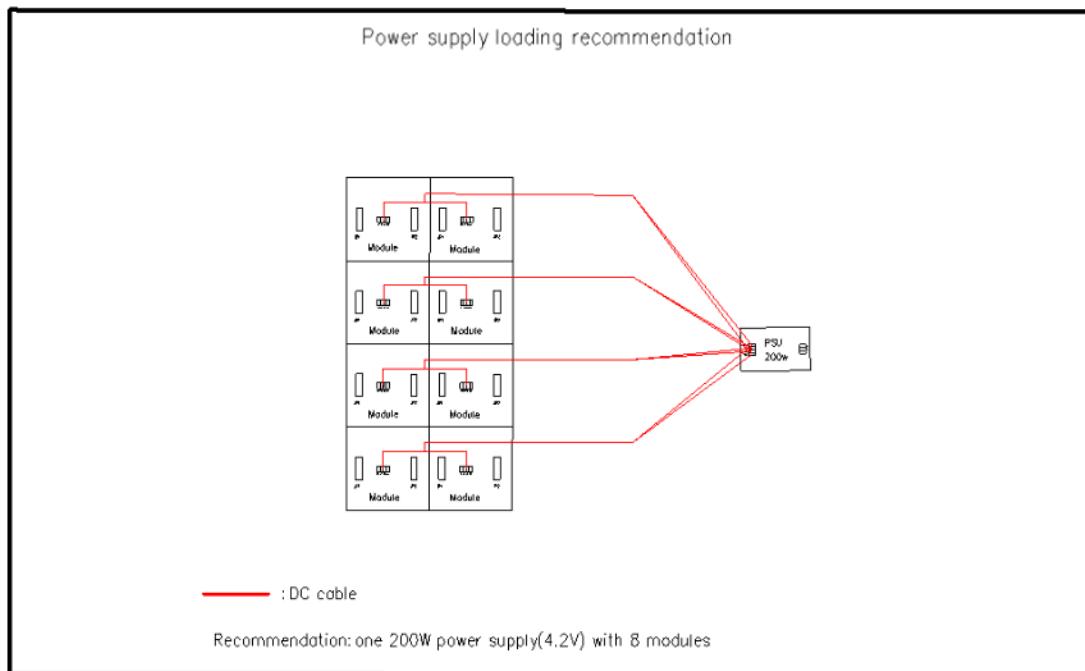
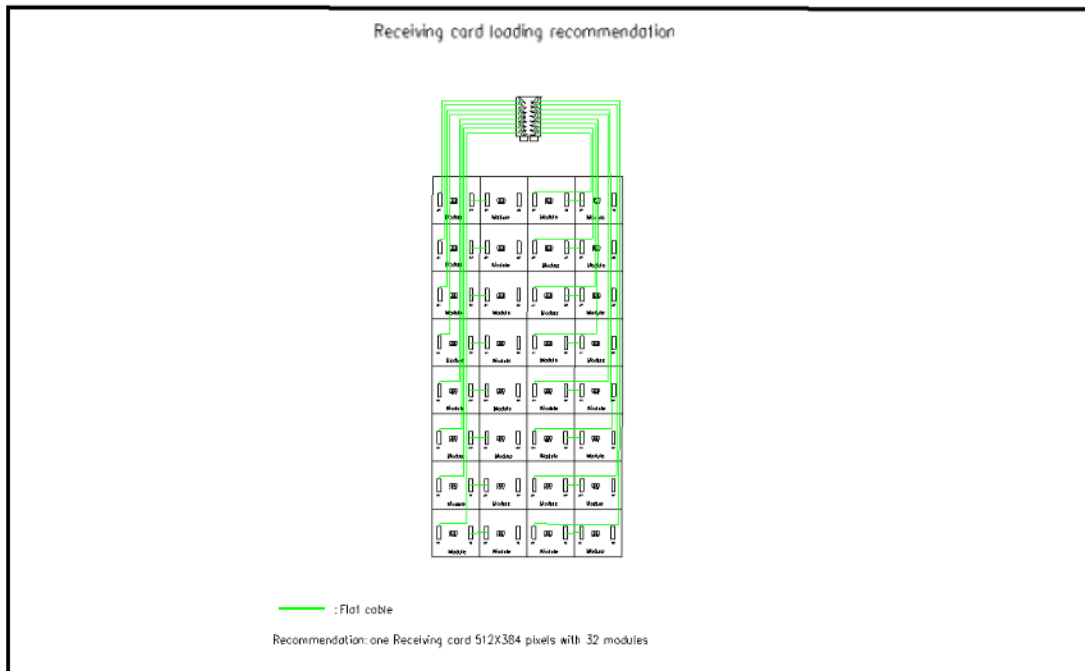


# Product Specification

## P3 Indoor



## Wiring Diagram of Data and Power



**Remark:**

1. The recommended diagrams are for reference only.
2. The recommended cabinet size is 576X576 mm.

## Parameter of P3 Indoor

	Parameter Name	Product Parameter
Module	LED Type	SMD2121
	Pixel Pitch	3mm
	Module Resolution (W×H)	64X64=4096 Pixels
	HUB	HUB75
	Module Dimension( W×H×D)	192mm×192mm×14mm
	Module Weight	0.23±0.02kg
Optical	Single-dot Brightness Calibration	Support
	White Balance Brightness	500 CD/m <sup>2</sup>
	Standard Color Temperature	6500K (1000K ~ 9500K Adjustable )
	Beam Angle (Hor/Ver°)	140°/140°
	Contrast Ratio	5000 : 1
Electronic	Input Power <Max>	543W/m <sup>2</sup>
	Input Power <Typical>	180W/m <sup>2</sup>
	Power Supply Input Voltage	AC90 ~ 132V/ AC186 ~ 264V, Frequency 47-63 (Hz)
Performance	Frame Changing Frequency	60Hz
	Refresh Rate	1920Hz
	Processing Depth	12~14 Bit
	Video Support	2K HD, 4K UHD
Environment	Life Typical Value (HRS)	100000H
	Working Temperature/ Humidity Range (°C/RH)	-20°C–45°C / 10%-50%RH (No Condensation)
	Storage Temperature / Humidity Range (°C/RH)	-20°C–50°C / 10%-60%RH (No Condensation)

- Remark:**
1. The above parameters are typical or recommended.
  2. Product parameters or configuration adjustments without notice.
  3. Customized products, please confirm the parameters with our company.