

# Trade-Exams.com

[HOME](#) [TRADES WE OFFER](#)

TRADE-EXAMS.COM

[BUSINESSES & CORPORATIONS](#) [FAQ](#) [MORE](#) ▾



## MILLWRIGHT EXAM PRACTICE TESTS & AN EXCELLENT RED-SEAL EXAM RESOURCE SITE

[TERMS OF USE](#)

+1 (226) 455 9460

# Millwright 433A Sample Exam – 1

---

**1) Which piece of Safety Equipment is worn in oxygen-depleted environment?**

A) Dust particle mask

B) Half face respirator

C) Full face respirator

D) Self-contained breathing apparatus



# Millwright 433A Sample Exam -1

---

**2) What should you do if you are seriously concerned about a safety hazard in the workplace?**

A) Keep on working and mention it to supervisor later

B) Put down tools and head home

C) Keep it to yourself and try to avoid hazards

D) Report to your supervisor immediately

# Millwright 433A Sample Exam –1

---

Answer is D  
immediately

Report to your supervisor

# Millwright 433A Sample Exam –1

---

- 3) What is the procedure to drill a 1-in hole in a mild steel plate?
- A. Scribe mark material, drill pilot hole, then drill final bit size.
  - B. Drill pilot hole, then drill final bit size.
  - C. Make punch mark, drill pilot hole, then drill final bit size.
  - D. Scribe mark material, then drill final bit size.

# Millwright 433A Sample Exam –1

---

Answer is C     Make punch mark, drill pilot hole, then drill final bit size.

# Millwright 433A Sample Exam –1

---

- 4) A conveyer belt is running out of line beneath a chute. What is the cause?
- A. Improper loading of belt.
  - B. Skirting too close to belt.
  - C. Skirting too far away from belt.
  - D. Scraper out of alignment.



# Millwright 433A Sample Exam –1

---

Answer is A Improper loading of belt.

# Millwright 433A Sample Exam –1

---

- 5) What is the included angle of a drill bit for low carbon steel?
- A. 56°
  - B. 59°
  - C. 112°
  - D. 118°

# Millwright 433A Sample Exam –1

---

Answer is    D     $118^\circ$

# Millwright 433A Sample Exam –1

---

- 6) A 12 Volt electrical circuit has a current of 5 amps. What should be the resistor wattage be for the circuit?
- A. 8 watts
  - B. 24 watts
  - C. 32 watts
  - D. 60 watts

# Millwright 433A Sample Exam –1

---

Answer is D      60 Watts

Solution:

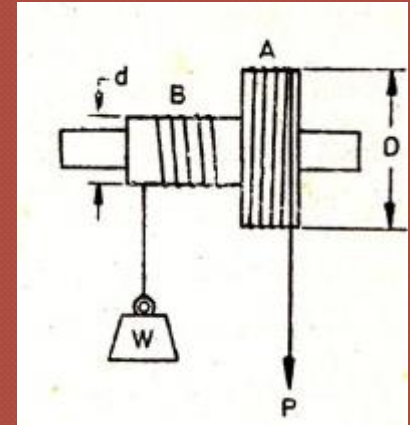
$$P = V \times I$$

$$P = 12 \times 5$$

$$P = 60 \text{ Watts}$$

# Millwright 433A Sample Exam –1

7) If  $W$  is effort and  $P$  is load then Example shown in the picture is ?



- A) Is an example of class 1 lever
- B) Is an example of class 2 lever
- C) Is an example of Class 3 lever
- D) Is an example of Class 4 lever

# Millwright 433A Sample Exam –1

---

Answer is C Is an example of Class 3 lever

Hint: In class III lever, effort is greater than load lifted.

# Millwright 433A Sample Exam –1

---

8) What is diameter of #6 machine screw?

A) 0.125"

B) 0.128"

C) 0.175"

D) 0.138"



# Millwright 433A Sample Exam –1

---

Answer is D) 0.138"

Solution:

Multiply the screw # by 0.013

Add 0.060 to get the Major diameter

$$6 \times 0.013 = 0.078$$

$$0.078 + 0.060 = 0.138"$$

# Millwright 433A Sample Exam –1

---

- 9) What greases are water resistant?
- A) Calcium soap greases
  - B) Sodium soap greases
  - C) Lithium and barium soap greases
  - D) Aluminum and clay greases

# Millwright 433A Sample Exam –1

---

Answer is C

Lithium and barium soap greases

# Millwright 433A Sample Exam –1

---

- 10) A reciprocating piston water pump is Running but not creating any pressure. Water inlet pipe is full with water and inlet Valve is open. Motor is also running in Right direction. What could be the reason?
- A) Delivery line valve is closed
  - B) Inlet line pipe is kinked
  - C) Pressure relief valve is stuck open
  - D) Pressure gauge is reading wrong

# Millwright 433A Sample Exam –1

---

Answer is C Pressure relief valve is stuck open

# Millwright 433A Sample Exam –1

---

- 11) What kind of pump you will be using to Pump water from city's pump station to Various areas in the city for drinking Purposes?
- A) Piston pump
  - B) Multistage centrifugal pump
  - C) Diaphragm pump
  - D) Mixed flow pump

# Millwright 433A Sample Exam –1

---

Answer is D Mixed flow pump

Hint: Mixed flow pumps are suitable for high volume discharge of liquids.

# Millwright 433A Sample Exam –1

---

- 12) A centrifugal pump is leaking fluid from The stuffing box. The packing was replaced Just couple of days ago. What could be the Reason?
- A) Worn shaft sleeve or bearings
  - B) Worn impeller
  - C) Packing not compatible
  - D) Packing not installed properly



# Millwright 433A Sample Exam –1

---

Answer is    A        Worn shaft sleeve or bearings

# Millwright 433A Sample Exam –1

---

13) If a pressure gauge is reading 100psig what Will be the absolute pressure at sea level?

A) 114.7psig

C) 101.35psig

B) 114.7psia

D) 101.35psia

# Millwright 433A Sample Exam –1

---

Answer is B 114.7 psia

Solution:

Absolute pressure = Gauge pressure + atmospheric pressure

Absolute pressure = 100 psig + 14.7 psi (atmospheric pressure)

= 114.7 psia

# Millwright 433A Sample Exam –1

---

- 14) What are two misalignment conditions Associated with shafts?
- A) Angular and compound misalignment
  - B) Angular and offset misalignment
  - C) Parallel and offset misalignment
  - D) Collinear and intersecting misalignment

# Millwright 433A Sample Exam –1

---

Answer is B Angular and offset misalignment

# Millwright 433A Sample Exam –1

---

- 15) When rigid couplings can be installed?
- A) Only when extra rigidity of equipment is required
  - B) Where flexible couplings are not suitable
  - C) When equipment is running at very high rpm
  - D) When coupling misalignment is less than bearing clearance

# Millwright 433A Sample Exam –1

---

Answer is D When coupling misalignment is less than bearing clearance

# Millwright 433A Sample Exam –1

---

- Thank you for taking the sample millwright exam. Our practice exam package is very comprehensive and is updated regularly to give you most current exam practice. We provide lot of other useful information to help you determine the correct answer out of 4 choices which all seems correct. This is where most of the students fail in exam.
- Please click on the link below to purchase the online millwright practice exam package.
- <https://trade-exams.com/trades-we-offer>