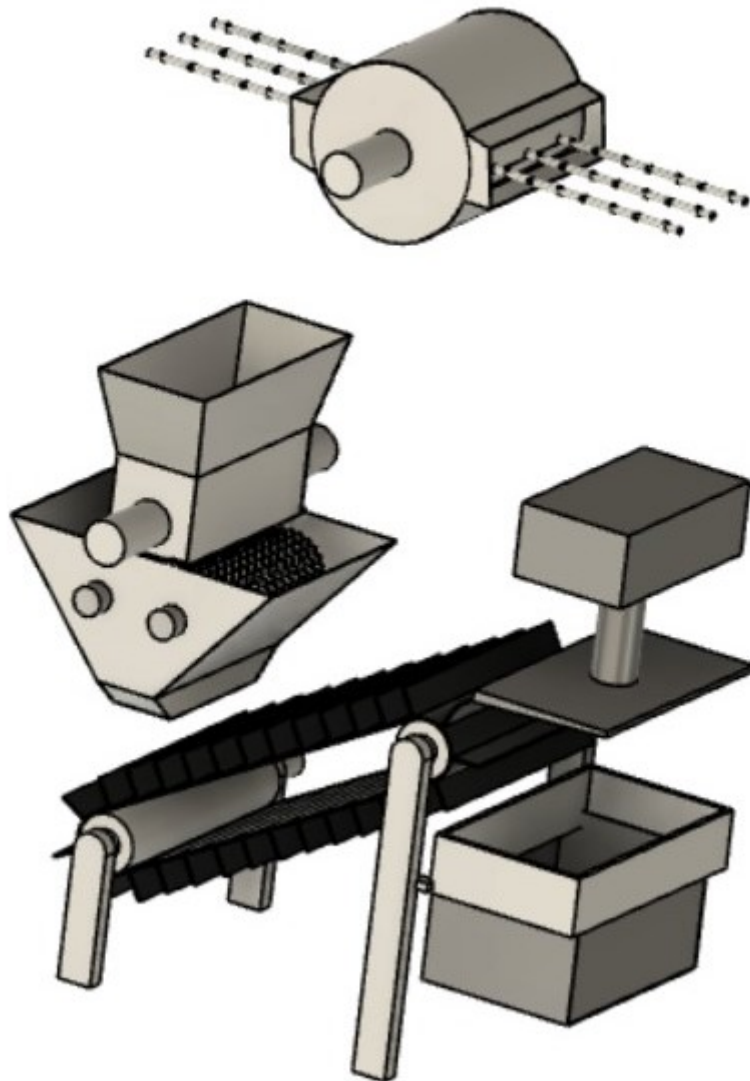


**Base Design 1:**

**Whole Setup**



## Conveyer Belt Assembly

