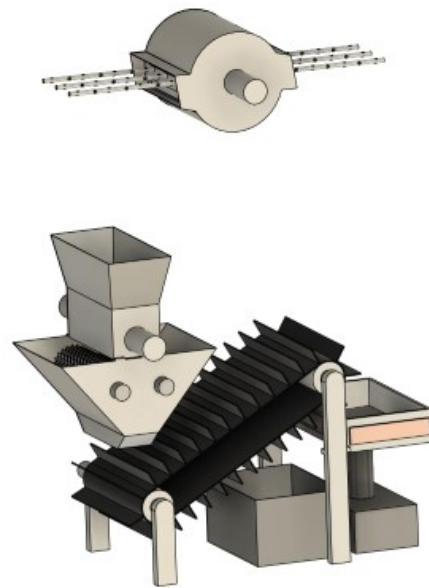
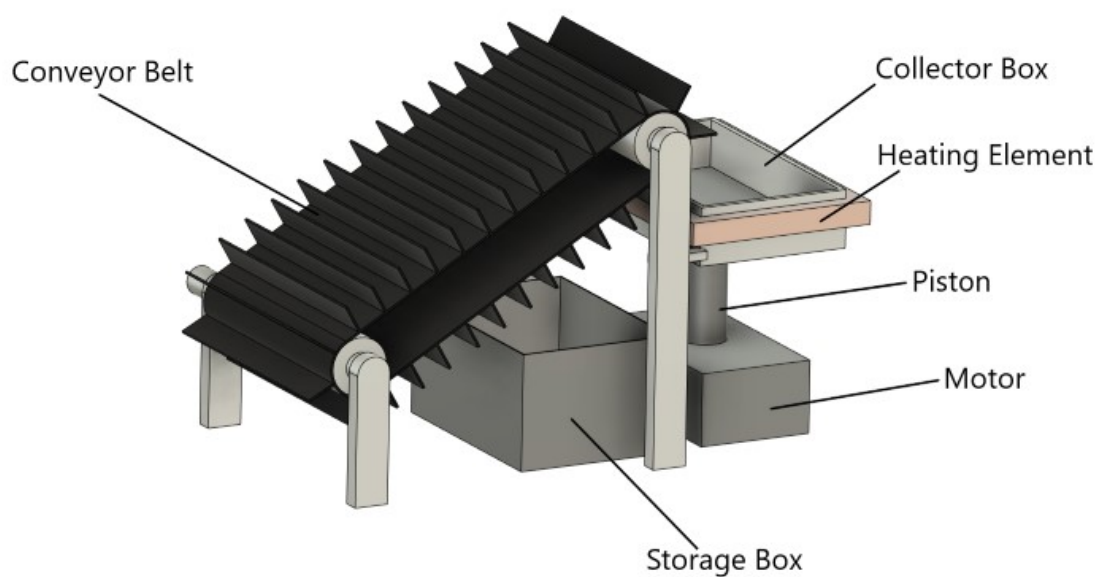


Improvisation Version 2:



Whole Setup



Conveyer Belt Assembly

Here, a heating element has been included because it is more cost efficient and much faster than a compressor! It also uses less power.