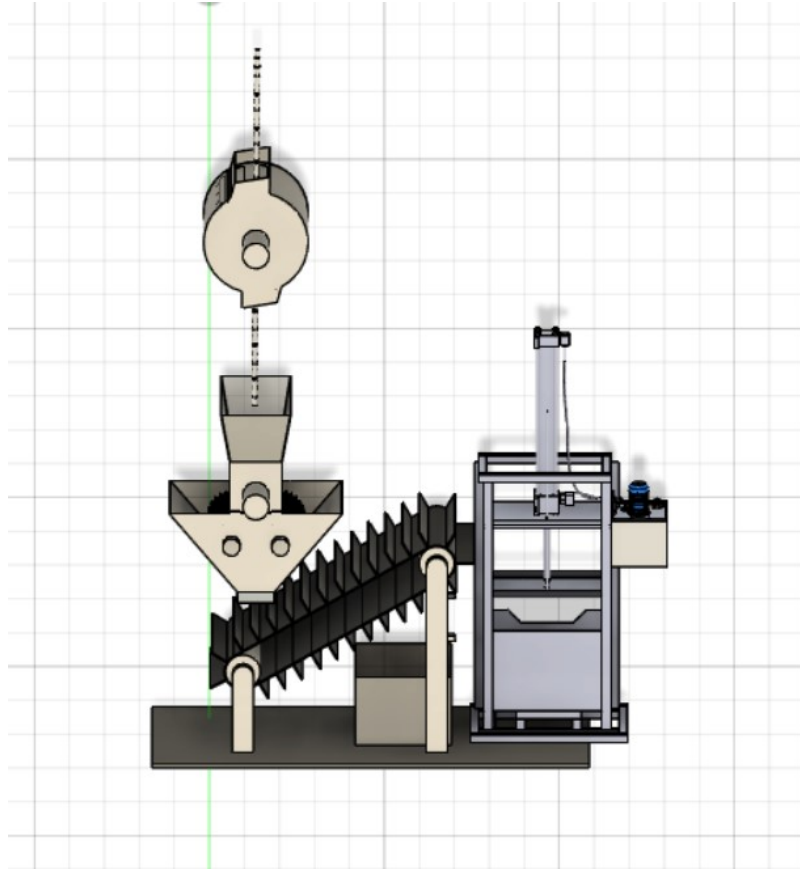


### Improvisation Version 3:



**While the heating element is better than the compressor from multiple angles, it also pollutes the environment in its own way (air instead of land, plastic). There is no reason to replace one kind of pollution with another; hence the compressor has been brought back, now as a hydraulic press.**

**The old compressor had a press assembly with components. Now, this new design has a Hydraulic Cylinder mechanism instead. The heating element has been removed since it melts the plastic and pollutes the environment. In this mechanism, the plunger that is driven by the hydraulic cylinder compresses the shredded plastic inside the bottom compartment. Then, the cube of plastic will come out through its hinged door.**

