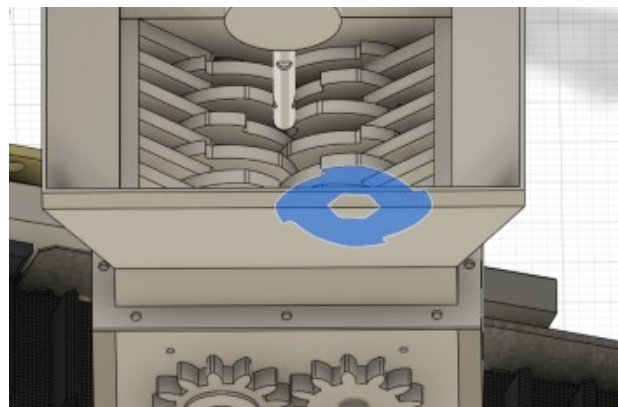
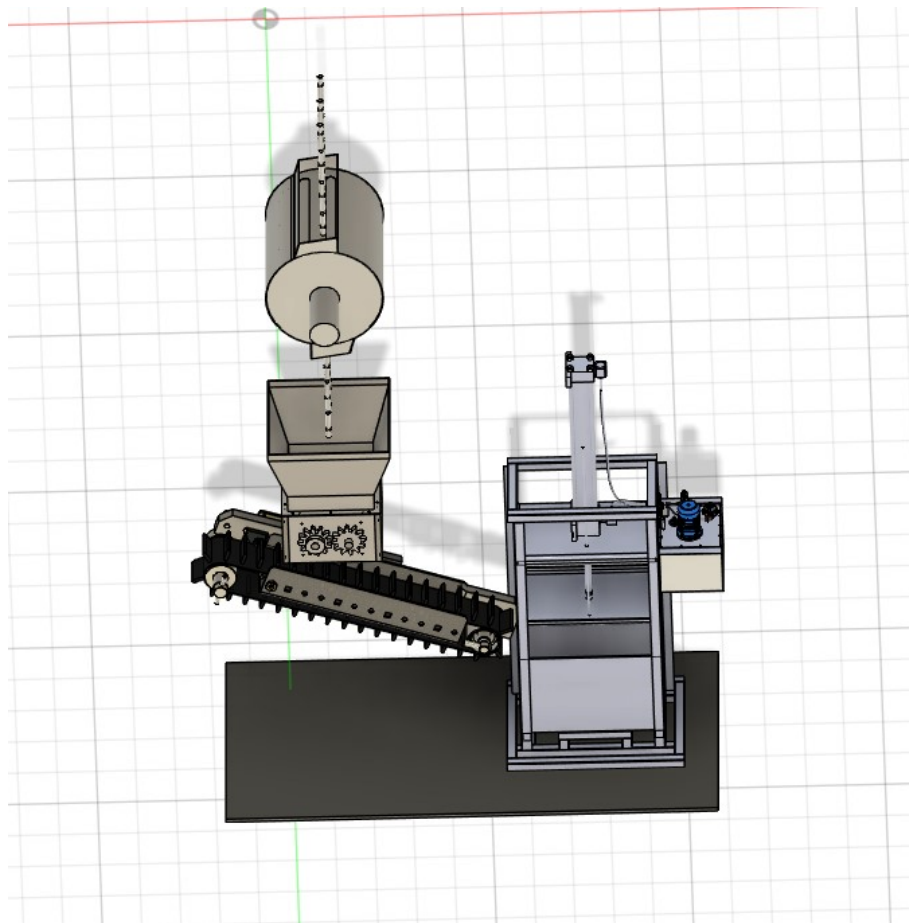


Improvisation Design 5:



Here, the shredder assembly has been changed. The new assembly hopper is big and the profile shape of the rollers has been changed. This profile will be effective in grabbing, crushing and shredding the plastic pieces.
