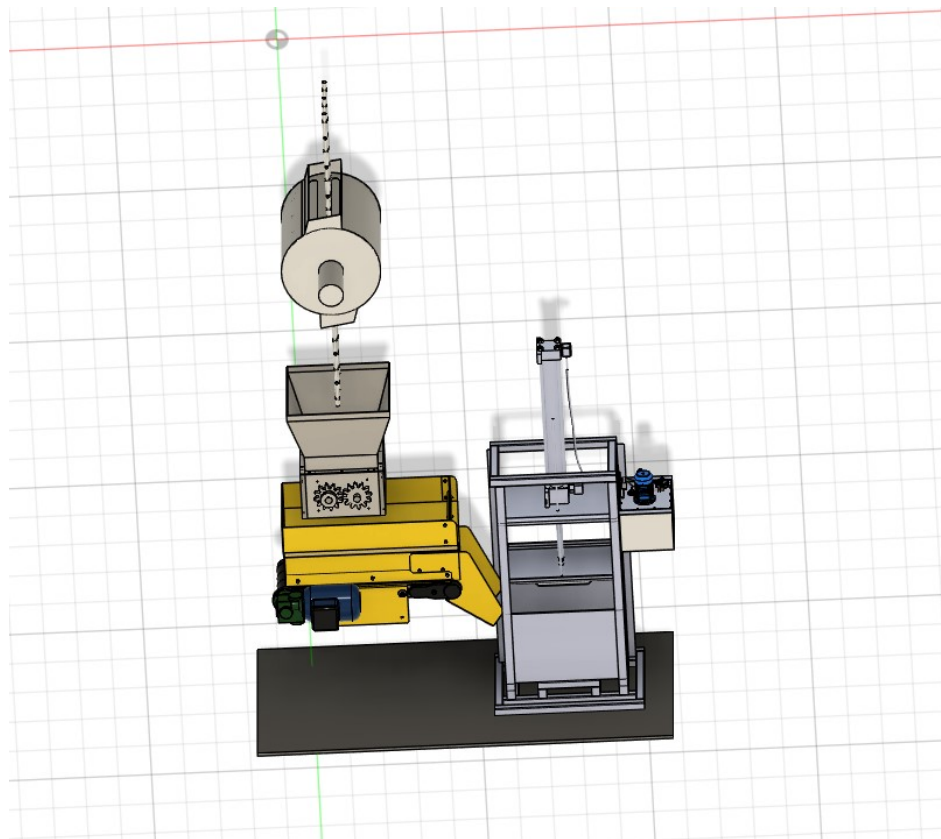


Improvisation Design 6:



Here, the open conveyor initial design has been completely replaced. It is more compact and shrouded with sheet metal so that the plastic shreds will not spill over onto the floor. This design will save space too. Detailed assembly and component design has been made along with the motor.

