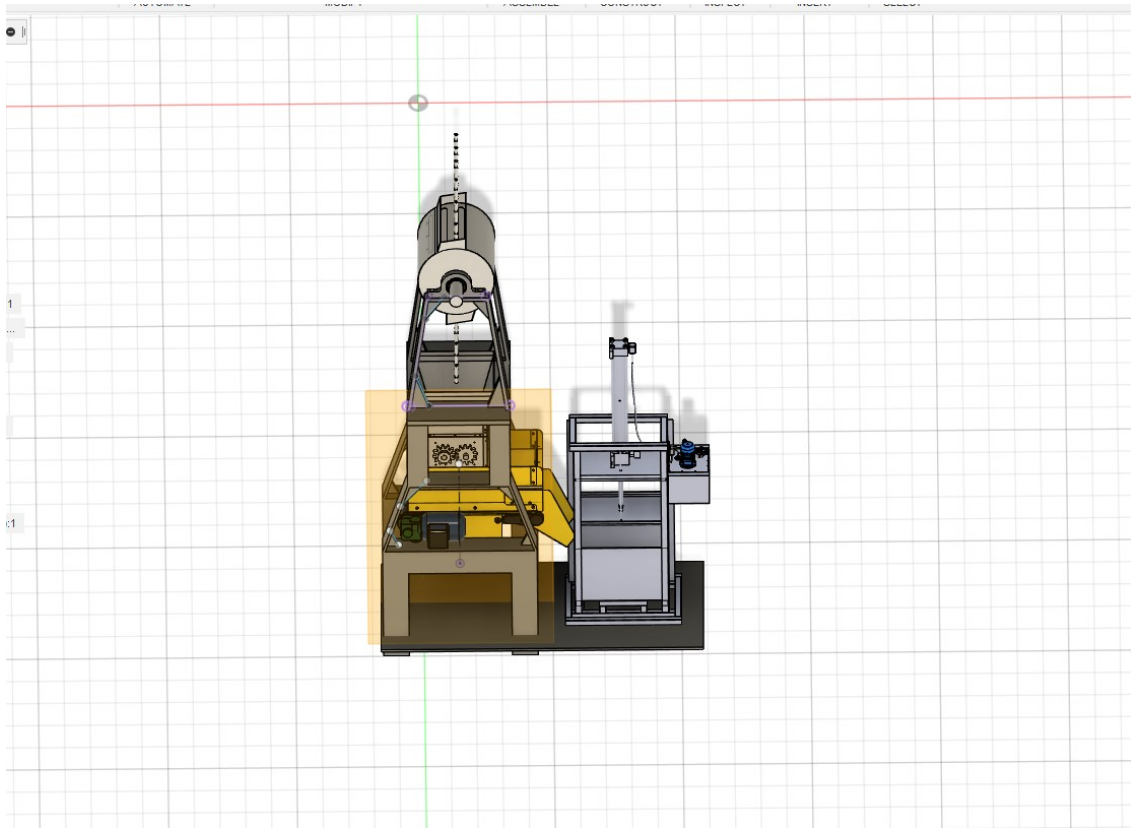


Improvisation Design 7:



Here, scaffolding with cross members and a C channel have been added. Scaffolding gives structure, the cross members give stiffness and the C channel has improved the overall structure. The weight of the design has been reduced significantly. Also, a stepper motor and a motor for the compressor have been added along with rotating elements like Bearings and Pulleys.

