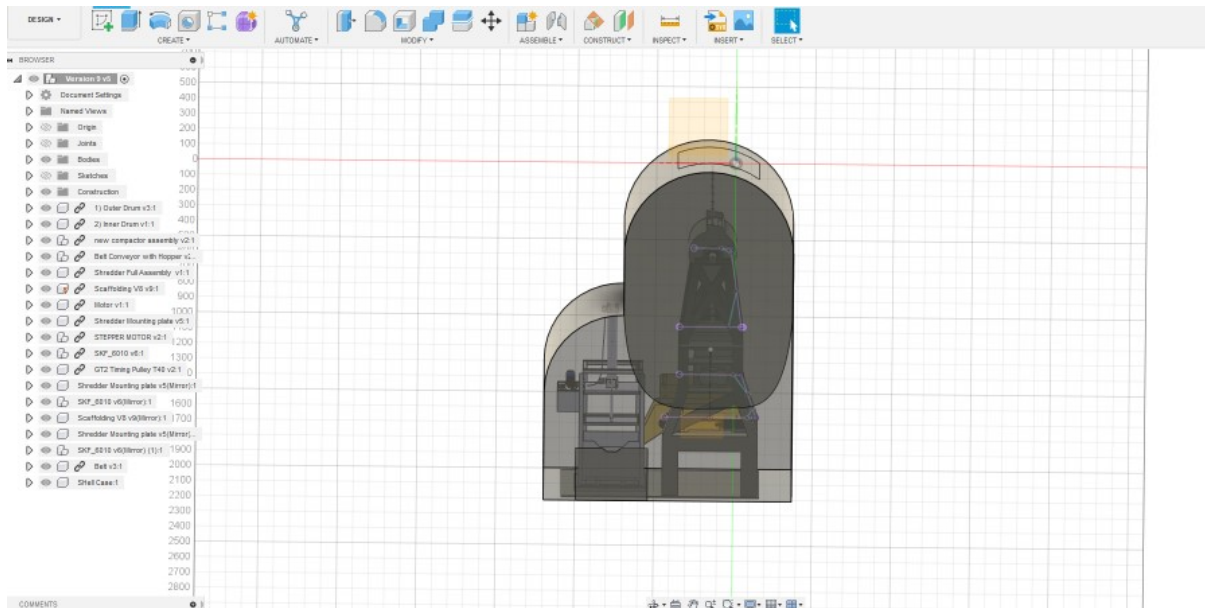


Casing:



Suitable casing has been added for the machine. The casing will have an accessible door for maintenance and other hinged windows for the utility of the machine.

Alternate Casing:

