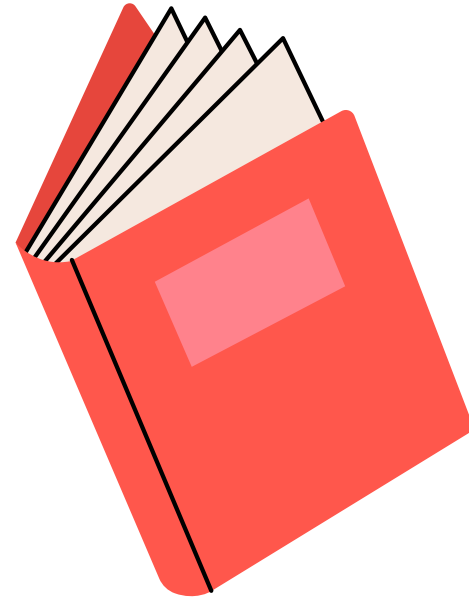
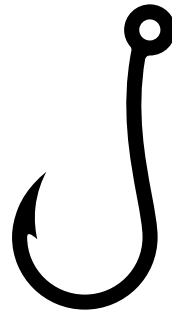
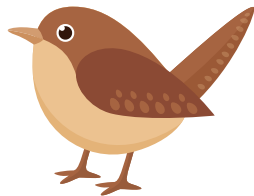


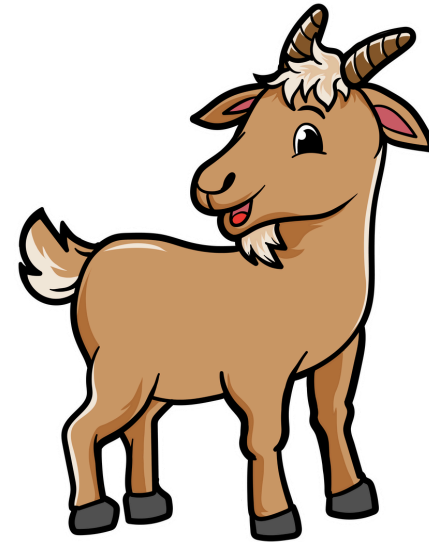
# Which One Rhymes?



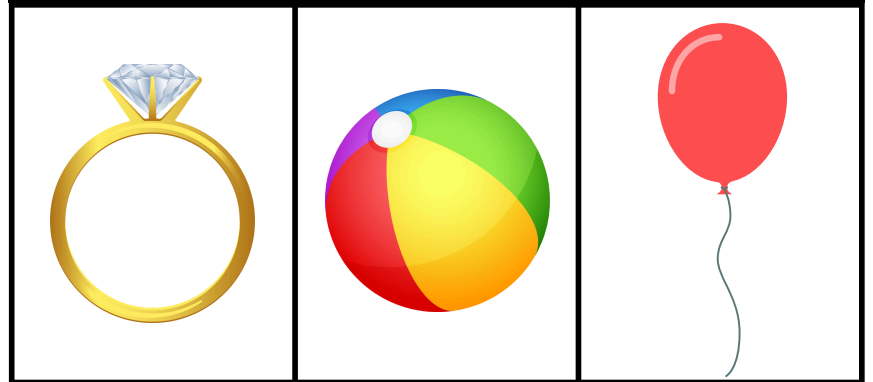
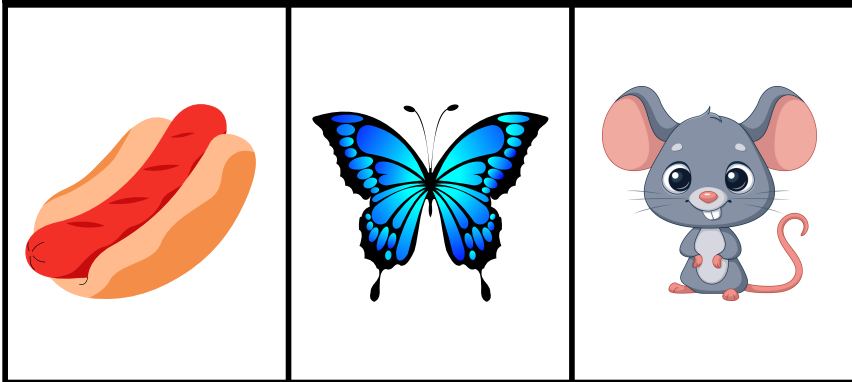
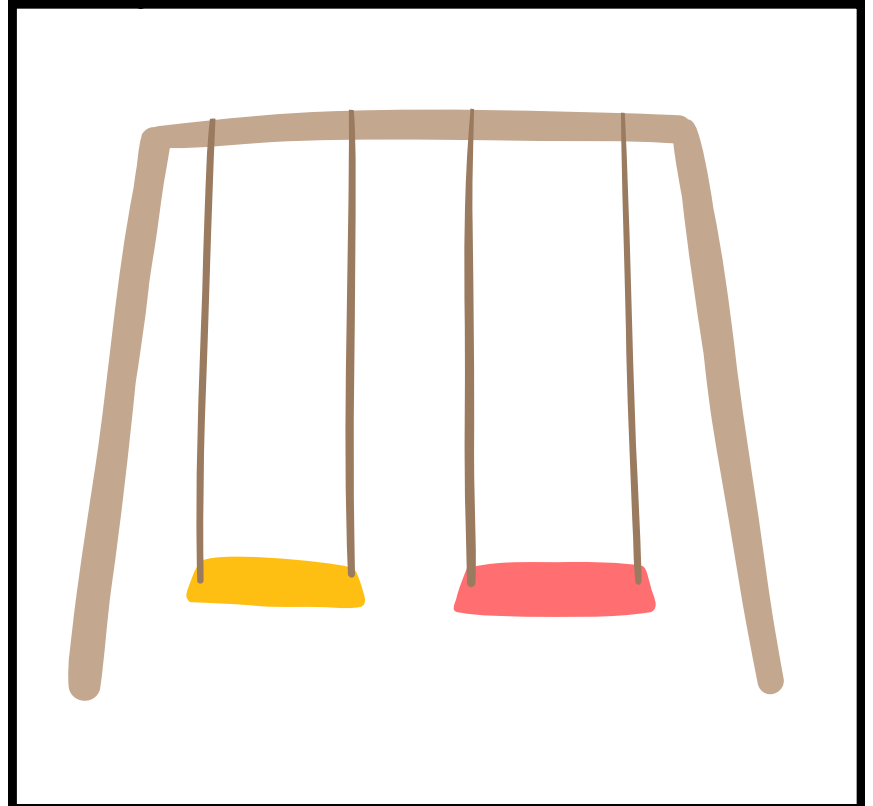
2



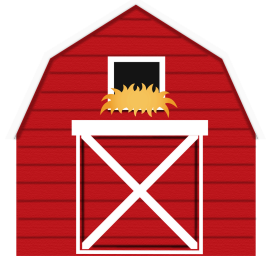
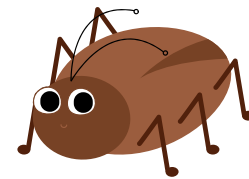
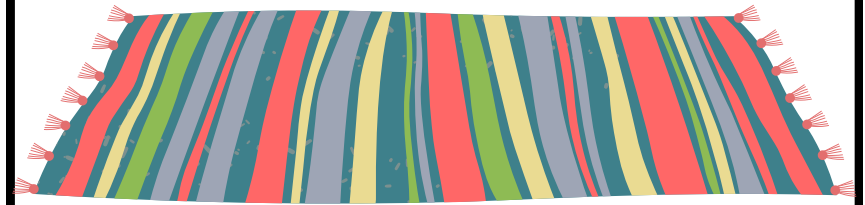
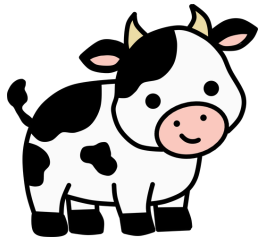
# Which One Rhymes?



# Which One Rhymes?

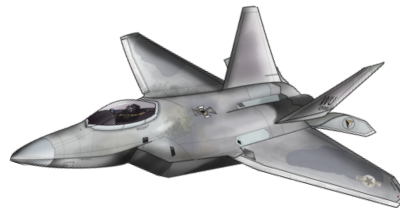
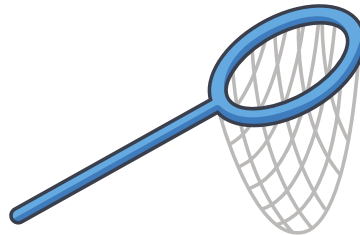
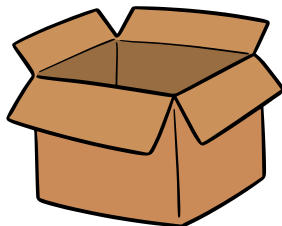
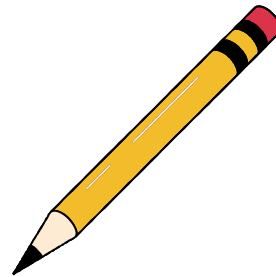


# Which One Rhymes?





# Do They Rhyme?



# Do They Rhyme?



4



Name \_\_\_\_\_

# Rhyming Words Flip Book

Match the rhyming pictures and glue them at the top to make a flip book.

glue



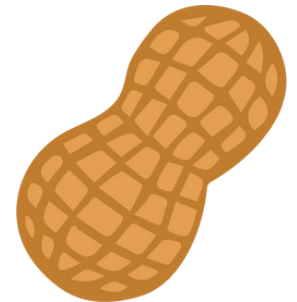
glue



glue




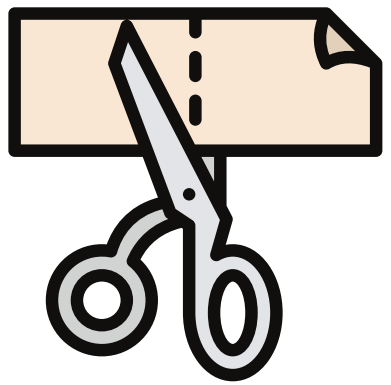
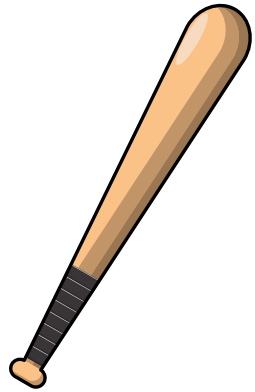
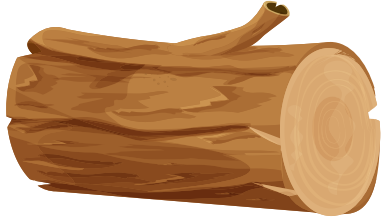
glue

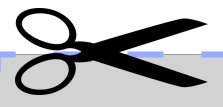


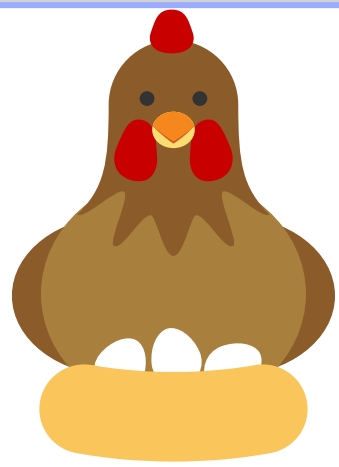
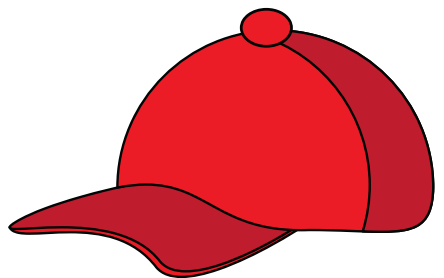


Cut out the pictures and match them to the picture that they rhyme with.

Glue them together in the gray box to make a flip book.





cat



bat



frog



dog



star



car



ten



pen



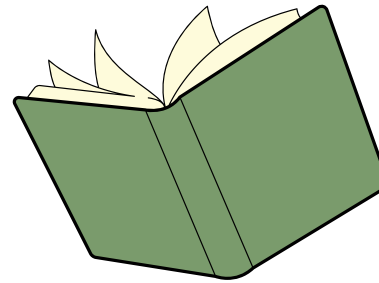
mouse



house



book



hook



eat



feet



ball



fall

