

WELD DYNAMIX

INCREASING PERFORMANCE IN HARSH MANUFACTURING ENVIRONMENTS



INDUCTIVE PROXIMITY SENSORS

SENSOR MOUNTING SOLUTIONS

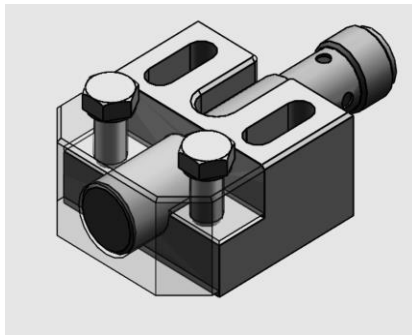
PERFORMANCE PROTECTION PRODUCTS

SPECIAL PURPOSE COATINGS



Extreme-duty Weldfield Immune Inductive Proximity Sensors

- ACTIVSTONE coating resists weld splash
- Designed to perform in weld cells, stamping and harsh environments
- Continued sensing operation through extreme burst heat situations caused from contact of molten materials and radiant heat from weld arc
- Durable integrated face and body machined from a single Stainless Steel ingot, designed for continuous duty in abusive parts loading applications where impact and abrasion contact the sensor face
- Advanced Weldfield Immune electronics for operation near high-current welding equipment
- Extended sensing range
- Factor 1 sensing technology designed to sense all metals



Ultra-Secure Mounts for Cylindrical Sensors

- Designed to retain sensor position in impact and parts loading applications
- Faceted face for closer part placement
- Unique dual redundant sensor retention bolt design
- Drop in retrofit to replace several manufacturers' mounts
- Durable all-steel design, ACTIVSTONE coating
- LED cutout for viewing shorter-bodied sensors' LEDs

Part #	Category	Description
WSI-0803-SABH	WSI-0803-SABH	8mm inductive, Sn=3mm, WFI, F1, PNP, M8 Conn, ACTIVSTONE SiC
WSI-0803-SABZ	WSI-0803-SABZ	8mm inductive, Sn=3mm, WFI, F1, PNP, M8 Conn, ACTIVSTONE ZO
WSI-0803-SAAZ	WSI-0803-SAAZ	Sensor, 8mm inductive, Sn=3mm, WFI, F1, PNP, M12 Pigtail, ACTIVSTONE ZO
WSI-1206-SAAH	WSI-1206-SAAH	12mm inductive, Sn=6mm, WFI, F1, PNP, M12 Conn, ACTIVSTONE SiC
WSI-1810-SAAH	WSI-1810-SAAH	18mm inductive, Sn=10mm, WFI, F1, PNP, M12 Conn, ACTIVSTONE SiC
WSI-3016-SAAH	WSI-3016-SAAH	30mm inductive, Sn=16mm, WFI, F1, PNP, M12 Conn, ACTIVSTONE SiC
WMT-12MM-FXXH	WMT-12MM-FXXH	Mount, 12mm Diameter, Steel Nose & Base, ACTIVSTONE
WMT-18MM-FXXH	WMT-18MM-FXXH	Mount, 18mm Diameter, Steel Nose & Base, ACTIVSTONE
WMT-30MM-FXXH	WMT-30MM-FXXH	Mount, 30mm Diameter, Steel Nose & Base, ACTIVSTONE



HIGH PERFORMANCE FLEXIBLE PROTECTION - designed to reduce or eliminate damage to hoses, cables & components exposed to abuse in harsh environments

TUBULAR PROTECTION



- ACTIVFLEX PTFE tubular protection
- Split & non-split variants
- 3.5mm ID to 19mm ID *
- High-temperature rating
- Weld-splash resistant
- Resists buildup of metal tailings
- Low coefficient of friction
- High flex life
- Excellent chemical & abrasion resistance

PART # VPG-3510-TGTS
3.5mm ID, 10 meters length
[#VPG-3510-TGTS](#)



PART # VPG-6510-TGTS
6.5mm ID, 10 meters length
[#VPG-6510-TGTS](#)



PART # VPG-1310-TGTS
13mm ID, 10 meters length
[#VPG-1310-TGTS](#)



PART # VPG-1910-TGTS
19mm ID, 10 meters length
[#VPG-1910-TGTS](#)



PART # VPG-1920-TGTS
19mm ID, 20 meters length
[#VPG-1920-TGTS](#)



*call for other available sizes & lengths

PROTECTIVE WRAP



- Double-sided PTFE-coated
- Fiberglass mesh fabric
- Protective jackets & bulk wrap
- With multiple fastening options
- Custom sizes available

PART #VPG-5959-G2XT
BULK SHEET 59" X 59"
59 in x 59 in
[#VPG-5959-G2XT](#)



PART #VPG-0650-G2Xt
BULK WRAP 6" WIDE
6 in x 50 ft roll
[#VPG-0650-G2XT](#)



PART #VPG-1250-G2XT
BULK WRAP 12" WIDE
12 in x 50 ft roll
[#VPG-1250-G2XT](#)



PART #VPG-0659-G2GT
GROMMET WRAP 6" WIDE
6 in x 59 in
[#VPG-0659-G2GT](#)



PART #VPG-1259-G2GT
GROMMET WRAP 12" WIDE
12 in x 59 in
[#VPG-1259-G2GT](#)



PART #VPG-0659-G2HT
HOOK & LOOP 6" WIDE
6 in x 59 in
[#VPG-0659-G2HT](#)

PART #VPG-1259-G2HT
HOOK & LOOP 12" WIDE
12 in x 59 in
[#VPG-1259-G2HT](#)

WELD DYNAMIX

www.welddynamix.com

HOME SENSORS MOUNTS TUBING WRAP CABLES CUSTOM PRODUCTS ACTIVSTONE CONTACT US

WELD DYNAMIX, INC.
HIGH-PERFORMANCE SENSORS & CABLE PROTECTION FOR HARSH ENVIRONMENTS

EXTREME-DUTY PROXIMITY SENSORS

Sensors for welding

- Solid stainless face & body
- Weld field immunity
- Embeddable with extended sensing range
- **ACTIVSTONE** weld-splash resistant coating
- Full metal sensing

SENSORS

SENSOR MOUNTING SOLUTIONS

- Compact block-style protection
- Ultra secure grip on sensor
- Heavy duty, stainless construction
- **ACTIVSTONE** spatter-resistant coating
- Gapless protection of sensor face

MOUNTS

ACTIVFLEX PROTECTIVE WRAP

Cable Protection for welding

- Available in sheet and roll forms
- Resists weld-splash and buildup of metal tollings
- Double side bonded coating on high strength, flexible fiberglass mesh
- Puncture resistance
- Customizations include 3D forms, large blankets, and covers of snags, grammers and VELCRO

WRAP

ACTIVFLEX PROTECTIVE TUBING

Cable Protection for Welding, Casting, Grinding, Stamping Applications

- Silt and non-lit variants
- Resists weld-splash and buildup of metal tollings
- High working temp. (250° C)
- Ultra-tough fiber cables
- Low coefficient of friction
- Excellent chemical resistance

TUBING

HIGH-ABUSE SENSOR, POWER & NETWORK CABLES

- Maintains tight bend radius
- Minimal increase to cable diameter
- Sleeve protects coupling nut and overmold
- 0.2m to 100m lengths
- Standard, high-flex and Continuous-flex versions
- M12, 7/8" and Ethernet

CABLES

ACTIVSTONE

Special purpose industrial coatings to extend equipment and component life in harsh industrial environments such as:

- WELDING
- CASTING
- GRINDING
- GLASS AND CERAMIC MANUFACTURING PROCESSES

ACTIVSTONE.COM

ACTIVSTONE COATINGS - WELD DYNAMIX, INC. (314) 670-8033

ACTIVSTONE

SPECIAL PURPOSE COATINGS
FOR INDUSTRIAL & HIGH-ABUSE ENVIRONMENTS

BY WELD DYNAMIX, INC.

FOR ACTIVE DEVICES

FOR ULTRA-HIGH TEMPERATURES

ACTIVSTONE COATINGS FOR COMPONENTS WITH ACTIVE ELECTRONICS

- Increases equipment life
- Versatile suitable for metal and non-metallic surfaces
- Designed for application on actuators, sensors, switches & devices with active electronics
- Low-temperature cure to protect thermal, dimensional, electrical and mechanical integrity
- Adherence to the specifications of devices including ingress protection ratings
- Parts like LEDs, diodes, connector threads, making pins can be masked & protected through the process as required

ACTIVSTONE ULTRA-HIGH TEMPERATURE OXIDATION RESISTANT COATINGS

- Increases equipment life
- Versatile suitable for application on a variety of metals such as carbon and stainless steel, and titanium
- Protection of equipment and components subjected to high-temperature environments, such as welding, casting, grinding and the processing of ceramics and glass
- High & abrasion resistant and oxidation resistant chromium oxide
- Ultra-Hi-Temperature - operation up to 1800°C

WARRANTY INFORMATION

Additional Information

WARRANTY - MATERIALS & WORKMANSHIP

- Weld Dynamix provides a 1-year warranty against defects in materials or workmanship, regardless of the coating and products that are not provided in service, and will be repaired at no cost - at the discretion of Weld Dynamix.
- Weld Dynamix does not offer a warranty for any period after placement into service, due to the nature of harsh environments (extreme temperatures, impact and abrasion).

CONTACT US FOR COATINGS TEST PLATES & SAMPLES

CONTACT WELD DYNAMIX, INC.

ACTIVSTONETM

www.activstone.com