



# SECON<sup>®</sup>-X

## Pipe system for petrol stations

### Double walled flexible fill pipe for automotive fuels in petrol station constructions

#### System advantages

- flexible, double walled
- impermeable and corrosion-resistant
- fast and simple to install
- environmentally safe
- the most cost effective metallic pipe

#### General Description

SECON-X<sup>®</sup> has been specially developed as a coaxial pipe for underground service in petrol stations. Fast and easy installation without welding, early completion and minimal downtime on retrofits are only some of the major advantages of SECON-X<sup>®</sup>.

#### Construction

SECON-X<sup>®</sup> is a flexible pipe system with a stainless steel primary pipe capable of being tested and even monitored for leaks. The SECON-X<sup>®</sup> double walled pipe system consists of a helically corrugated stainless steel primary pipe and a polyethylene secondary containment casing pipe. Helical channels are formed by the geometry of the primary pipe around the circumference, aided by longitudinal channels in the secondary pipe. Both extend over the entire length of the pipe. These longitudinal channels between the carrier and casing pipe provide the necessary annular gap for the safe and contained flow of leaking product along and within the coaxial pipe.

The stainless steel primary pipe of SECON-X<sup>®</sup> is not only corrosion-resistant but is also a permeation proof barrier. It is also capable of handling the future generation of automotive fuels. Being made of corrosion proof materials SECON-X<sup>®</sup> does not need any additional cathodic corrosion-protection.

#### Fields of application

SECON-X<sup>®</sup> pipes, subject to compliance with local and national requirements, are designed for use as:

- Suction pipes
- Pressure pipes
- Fill pipes



#### Sizes and Pressure ratings

Available sizes: DN (nom. bore) 40 (1 ½"), 50 (2") and 100 (4")

Max. operating pressure: + 10.0 bar (145 PSIG) or any pressure below atmospheric pressure.

#### Connection method

A special graphite ring is used as seal between the corrugated (primary) pipe and the connector.

The connector can be supplied with:

- Thread
- Split flange

The seal between the secondary PE pipe and the connector is achieved by means of a boot.

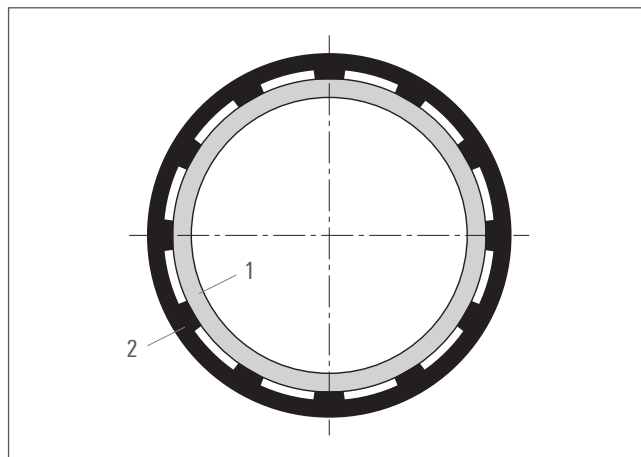
#### Installation

SECON-X<sup>®</sup> can be delivered in coils or on cable reels. The corrugated primary pipe gives this pipe extraordinary good bendability for ease of installation. SECON-X<sup>®</sup> can easily be cut to the required lengths on site and – where necessary – bent at very tight radii. Unlike with plastic piping there is virtually no spring back once bent. A feature that makes the contractors job a lot easier and quicker. Last not least it saves money.



### SECON-X® Connection

Modular system ending with flanges and male thread.



### SECON-X® Construction

- 1 corrugated stainless steel primary pipe
- 2 PE-LD jacket with longitudinal channels

### Physical properties of SECON-X® pipes

Type designation:		SEC 40	SEC 50	SEC 100
material:	<ul style="list-style-type: none"> <li>• primary pipe: stainless steel EN 1.4404 (AISI TP 316 L)</li> <li>• secondary pipe: PE-LD</li> </ul>	•	•	•
max. operating pressure for:	• all connector types	+ 10.0 bar	+ 10.0 bar	+ 10.0 bar
nominal diameter*:		DN 40 / 1 1/2"	DN 50 / 2"	DN 100 / 4"
dimensions:	<ul style="list-style-type: none"> <li>• inner pipe diameter</li> <li>• outer pipe diameter</li> </ul>	48 mm 63 mm	60 mm 75 mm	98 mm 124 mm
min. bending radius:		300 mm	400 mm	800 mm
weight:		1.6 kg/m	2.1 kg/m	4.7 kg/m
available type of connectors:	<ul style="list-style-type: none"> <li>• GRAPA-S with male thread</li> <li>• GRAPA-S with flange</li> </ul>	•	•	•
Recommendation for use:	<ul style="list-style-type: none"> <li>• suction line</li> <li>• pressure pipe</li> <li>• gravity fill pipe</li> </ul>	•	•	•

\* sizing in accordance with actual heads loss computations for gaseous or liquid gasoline

All technical data subject to change.



#### Brugg Rohrsystem AG

Industriestrasse 39  
CH-5314 Kleindöttingen  
phone +41 (0)56 268 78 78  
fax +41 (0)56 268 78 79  
pipesystems@brugg.com  
www.pipesystems.com

#### BRUGG Rohrsysteme GmbH

Adolf-Oesterheld-Straße 31  
D-31515 Wunstorf  
phone +49 (0)50 31 170-0  
fax +49 (0)50 31 170-170  
info@brugg.de  
www.brugg.de

A company of the BRUGG Group