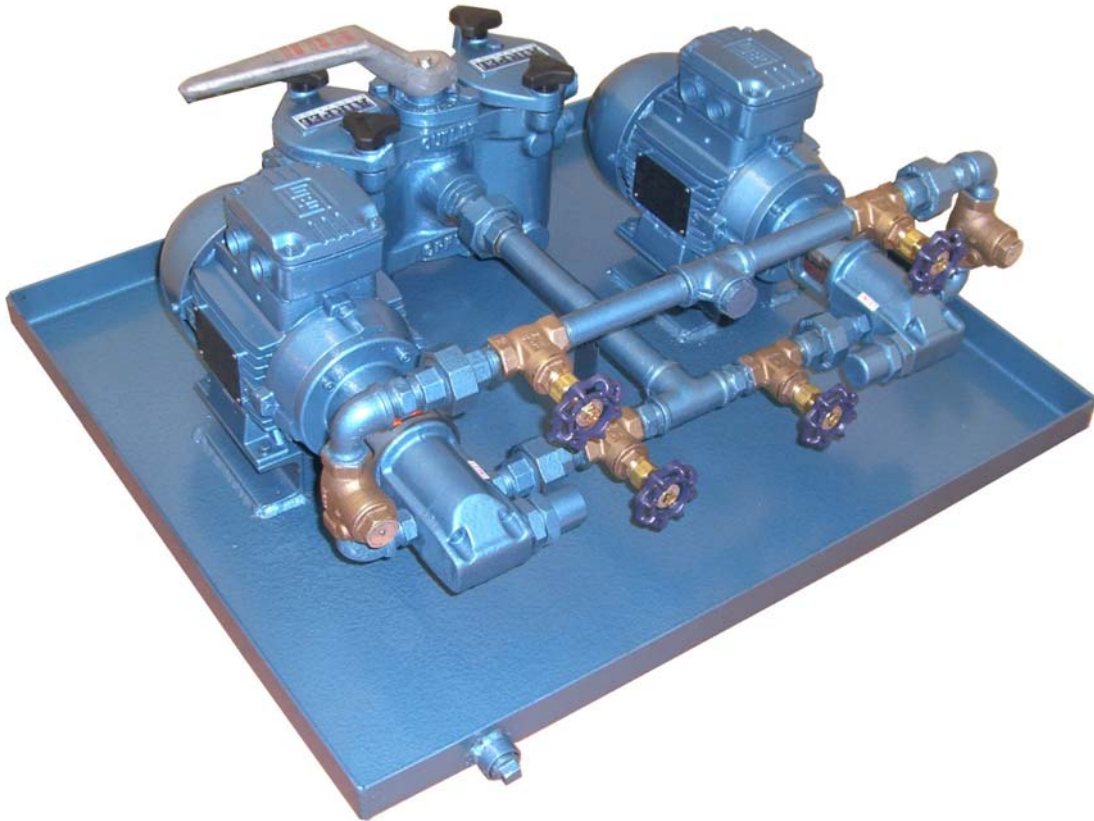


Duplex Fuel Oil

Pumping & filtering sets



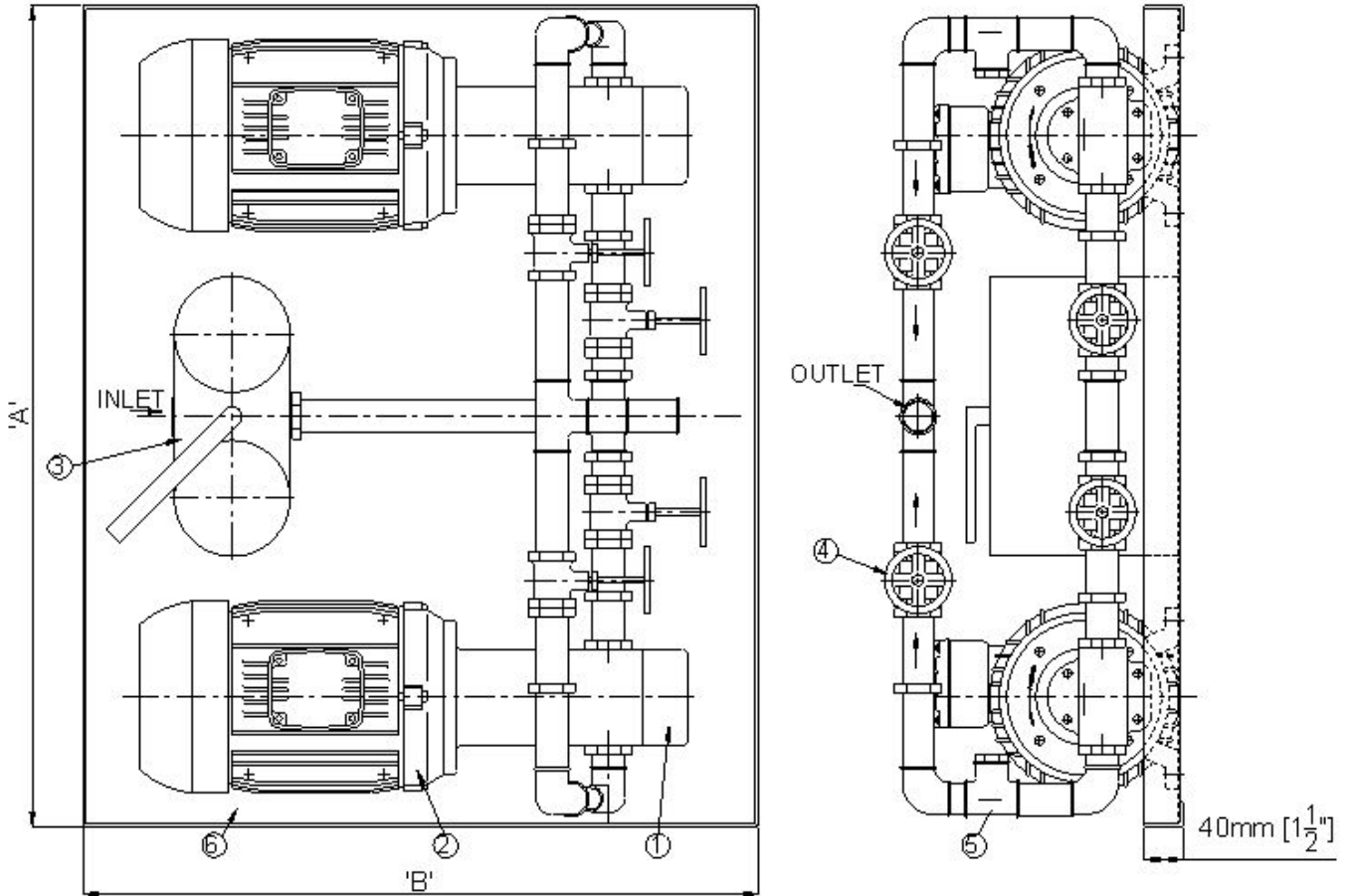
- Robust motorised pumps
- TEFC electric motors for 3ph or 1 phase supply. 50Hz and 60Hz
- Exd Atex pump sets for hazardous areas
- Auto changeover control panels
- Duplex filters available

Capacity

| MODEL | L/min | Power – kW at 3.5 bars pressure |
|---------|-------|---------------------------------|
| 25-375 | 4.8 | .12 |
| 25-750 | 10 | .25 |
| 25-1500 | 20 | .55 |
| 25-2000 | 27 | .55 |
| 40-1300 | 43 | 1.1 |
| 40-1750 | 57 | 1.1 |
| 40-2750 | 90 | 1.5 |

Figures are given for 4 cst fuel oil and pump speed 1420 RPM. Larger close-coupled pumps from our 56 series models offer flows from 150 to 300 l/min.

Dimensions



| MODEL | DIMENSIONS mm | | PIPE CONNECTIONS | |
|---------|------------------|-----|------------------|--------|
| | A | B | INLET | OUTLET |
| 25-0375 | 700 | 650 | 3/4" | 1/4" |
| 25-0750 | 700 | 650 | 3/4" | 1/2" |
| 25-1500 | 700 | 650 | 3/4" | 1/2" |
| 25-2000 | 700 | 650 | 3/4" | 1/2" |
| 40-1300 | 850 | 700 | 1" | 1" |
| 40-1750 | 850 | 700 | 1" | 1" |
| 40-2750 | 850 | 700 | 1" | 1.1/4" |

| ITEM | PART |
|------|------------------|
| 1 | PUMP |
| 2 | MOTOR |
| 3 | FILTER |
| 4 | GATE VALVE |
| 5 | NON-RETURN VALVE |
| 6 | TRAY |

Operating Instructions

Operating instructions are available on request.