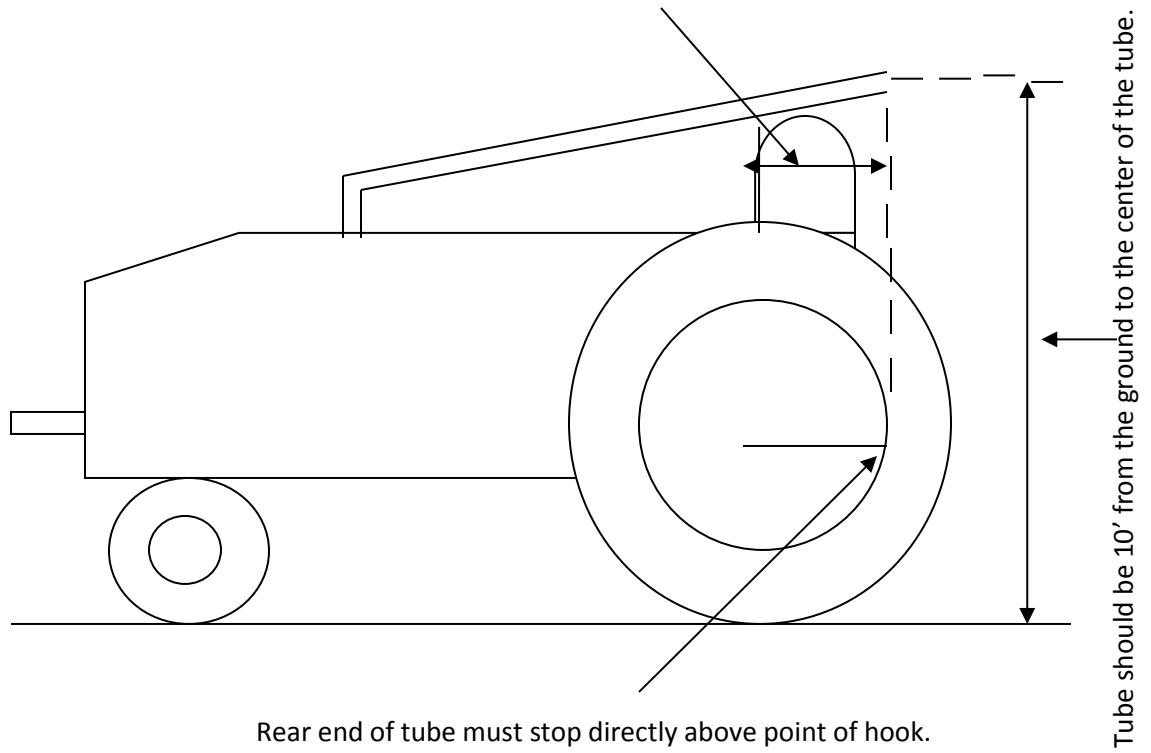


SMOKE TUBE SPECS

Brace must be at least 36" from the end of the tube,



Brace must be at least 36" from the end of the tube,

