



Solar PV Rail System



The Fast-Rack Ultra Rail System was designed to speed the installation of residential PV arrays on sloped roofs. Standard Fast-Rack features include easy rail levelling, self-sealing roof bolts, & integrated grounding making it one of the easiest choices for home owners today. The system was designed to provide Canadians with a cost effective, aesthetically pleasing solution.

ULTRA ADVANTAGES

LOW PROFILE

Our innovative new extrusion is cheaper, stronger, and lower profile than competitive products. It saves money, and keeps solar looking neat and tidy.

INTEGRATED GROUNDING

Using patented grounding solutions, the rails bond the panel to the system ground, eliminating individual panel ground lugs and wires.

EASY RAIL LEVELLING

With rail height adjustment up to 2", Fast-Rack Ultra is easy to level on a not so flat roof. Great looking solar systems with less labour.

SELF-SEALING ROOF BOLTS

Anchor Bolts, capable of up to 5" of roof penetration, secure the Fast-Rack rails to roof trusses. Integrated gaskets help to seal anchors for faster, cleaner installation.



① FR-RAIL-UL - 7/10/13/20

~ Four lengths: 20' length fits 6 modules is easy to level, and saves splice labour, 13' fits 4 modules and is easy to transport, 10' fits 3 modules, 7' fits 2 modules.

② FR-END - 35/38/40/50/UNI

~ Module end clamp includes hardware.

③ FR-EN-KIT

~ Drop-In Mounting Kit.

④ FR-EN-GND-KIT

~ Drop-in Mounting Kit with Bonding Element.

⑤ FR-BJ-8.0-KIT

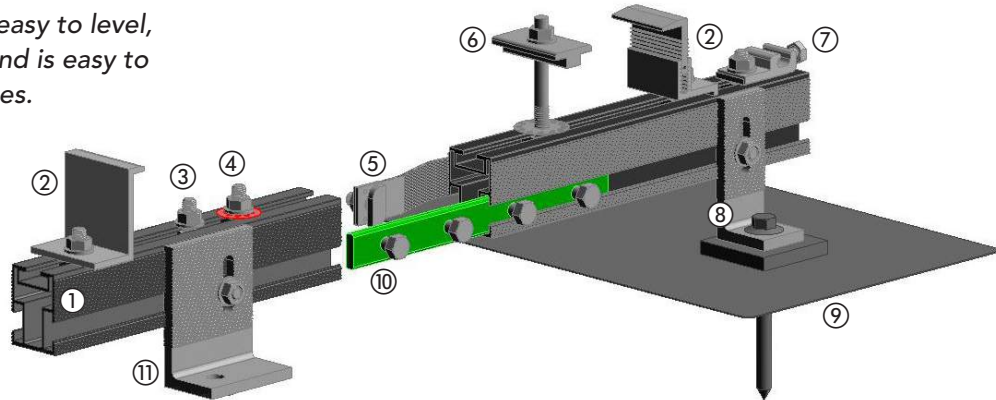
~ Electrically bonds adjacent rails together.

⑥ FR-MID - 32-40/38-45/43-50

~ Module mid clamps with drop in T-Bolts for fast installation & integrated bonding eliminates panel ground lugs and wiring.

⑦ FR-GNDLUG

~ Single connection point for electrically grounding rails.



⑧ FR-FOOT-SL-KIT

~ Fast-Rack Slim Foot.

⑩ FR-SPLICE

~ Easy to install connection joint between adjacent rails.

⑪ FR-FOOT-OS-KIT

~ Designed for fast installation and easy levelling on rolling roofs. 1" vertical adjustment.

Mounting Options

⑨ FR-FLASH-KIT

(As Shown Above)
~ Self Sealing Flashing Option for Shingled Asphalt Roof.

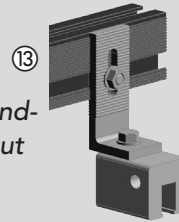
⑫ EJOT-8.0

~ Self Sealing Lag Screw gives 1" of quick levelling.



⑬ S-5! Clamp

~ Attach to standing seam without penetration.



⑭ CorruSlide

~ Universal attachment for corrugated metal roofs.



①	FR-RAIL-UL 7/10/13/20	Fast-Rack Ultra Rails, 20' (6 Modules) / 13' (4 Modules) / 10' (3 Modules) / 7' (2 Modules)
②	FR-END 35/38/40/50/UN	Module End Clamps With Hardware - Sized to Module Thickness
③	FR-EN-KIT	Drop-In Mounting Kit
④	FR-EN-GND-KIT	Drop-In Mounting Kit with Bonding Element
⑤	FR-BJ-8.0-KIT	Fast-Rack Bonding Jumper Kit
⑥	FR-MID 32-40/38-45/43-50	Module Mid Clamps with Hardware & Ground Washer - Sized to Module Thickness
⑦	FR-GNDLUG	Single Connection Point for Electrically Grounding Rails
⑧	FR-FOOT-SL-KIT	Fast-Rack L-Foot Kit - Slim
⑨	FR-FLASH-KIT	Flashing Kit for Shingled Asphalt Roof
⑩	FR-SPLICE	Easy to Install Connection Joint Between Adjacent Rails
⑪	FR-FOOT-OS-KIT	Fast-Rack L-Foot Kit - Off-Set
⑫	EJOT-8.0-110	Adjustable Anchor Bolt for Wood Framing - 2 Options Available
⑬	S-5! CLAMP	Attach to Standing Seam without Penetrating - Seam Profile Needed when Ordering
⑭	CORRUSLIDE	Universal Attachment for Corrugated Metal Roofs