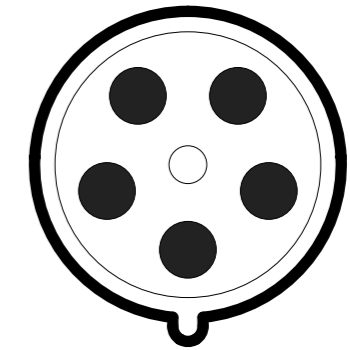
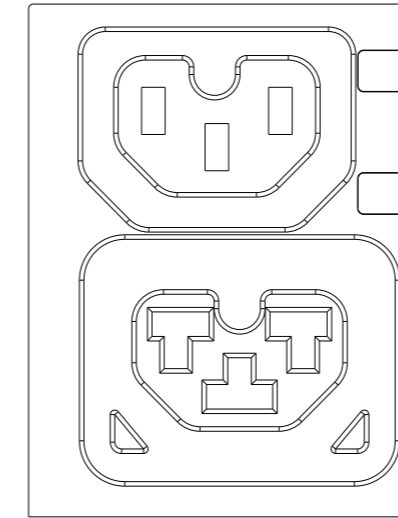
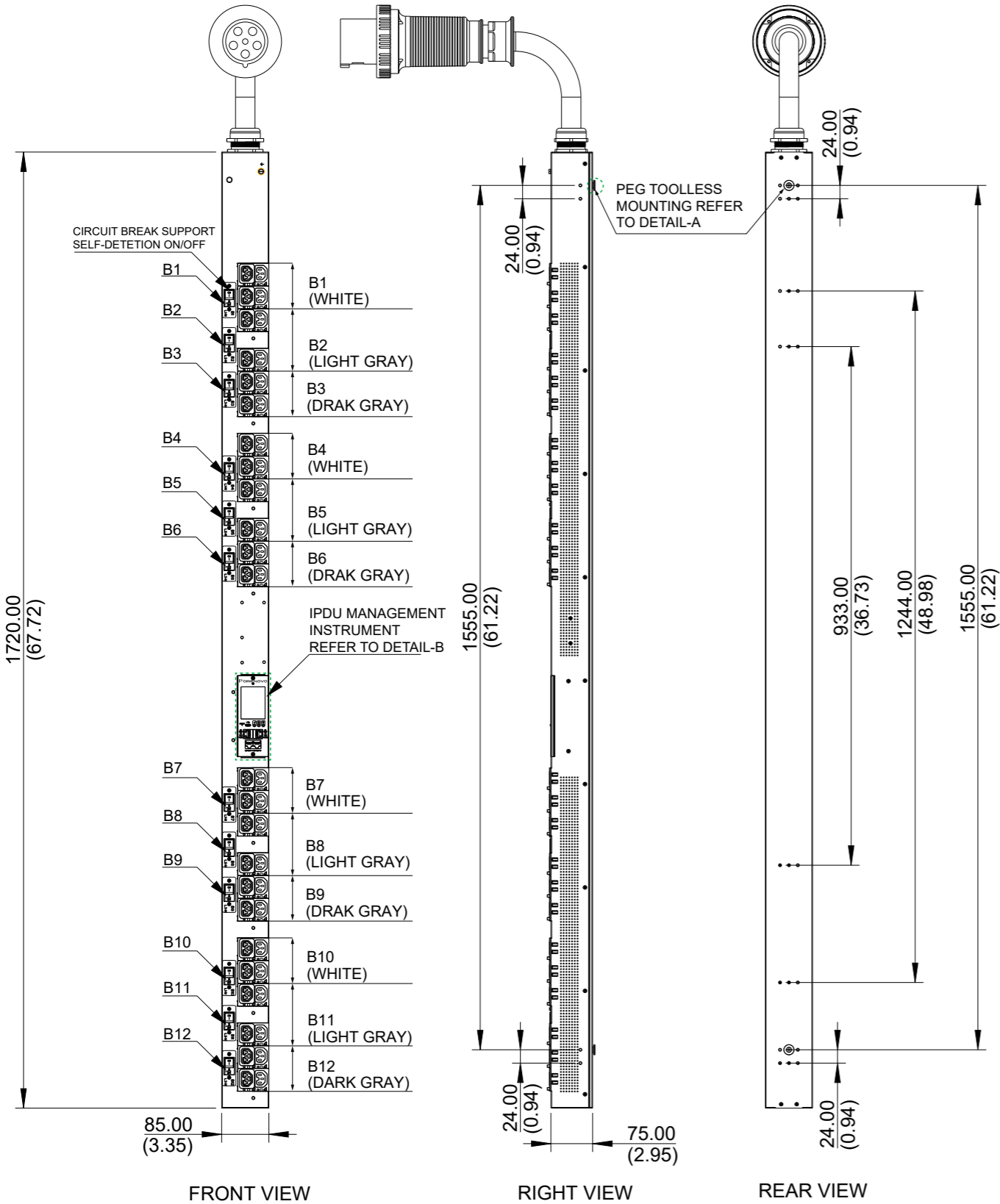
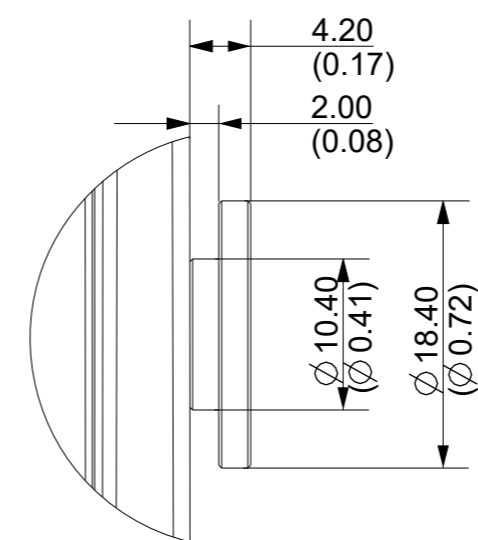


NOTES:

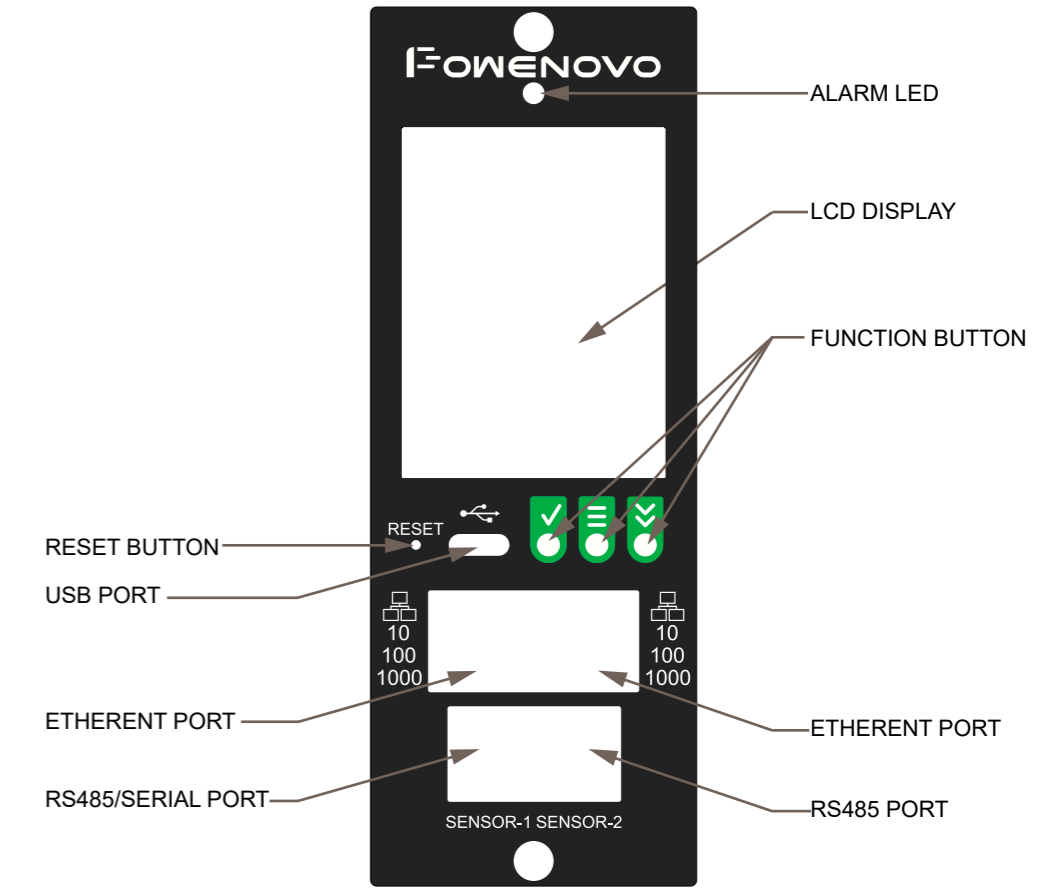
1. INSTALLATION SHALL COMPLY WITH ALL APPLICABLE NATIONAL, STATE AND LOCAL ELECTRICAL CODES.
2. REFER TO PRODUCT DOCUMENTATION FOR ADDITIONAL DETAILS PRIOR TO INSTALLATION AND PREPARATION WORK.
3. UNLESS OTHERWISE SPECIFIED, ALL DIMENSIONS ARE IN MILLIMETERS [INCHES].
4. UNIVERSAL MOUNTING BRACKET IS AN ALTERNATIVE MOUNTING METHOD TO THE TOOL LESS MOUNT FOR 3RD PARTY ENCLOSURES, BRACKET IS PROVIDED WITH THE UNIT.



(DEFAULT)
IEC 60309, 4P 5W,6H
IP44(SPLASHPROOF)
OPTIONAL IP67(WATERTIGHT)
100A/125A,415V MAX RATED INPUT
(80A DERATED)



DETAIL-A
PEG TOOL LESS MOUNTING
ENLARGED VIEW



DETAIL-B
IPDU MANAGEMENT INSTRUMENT
ENLARGED VIEW

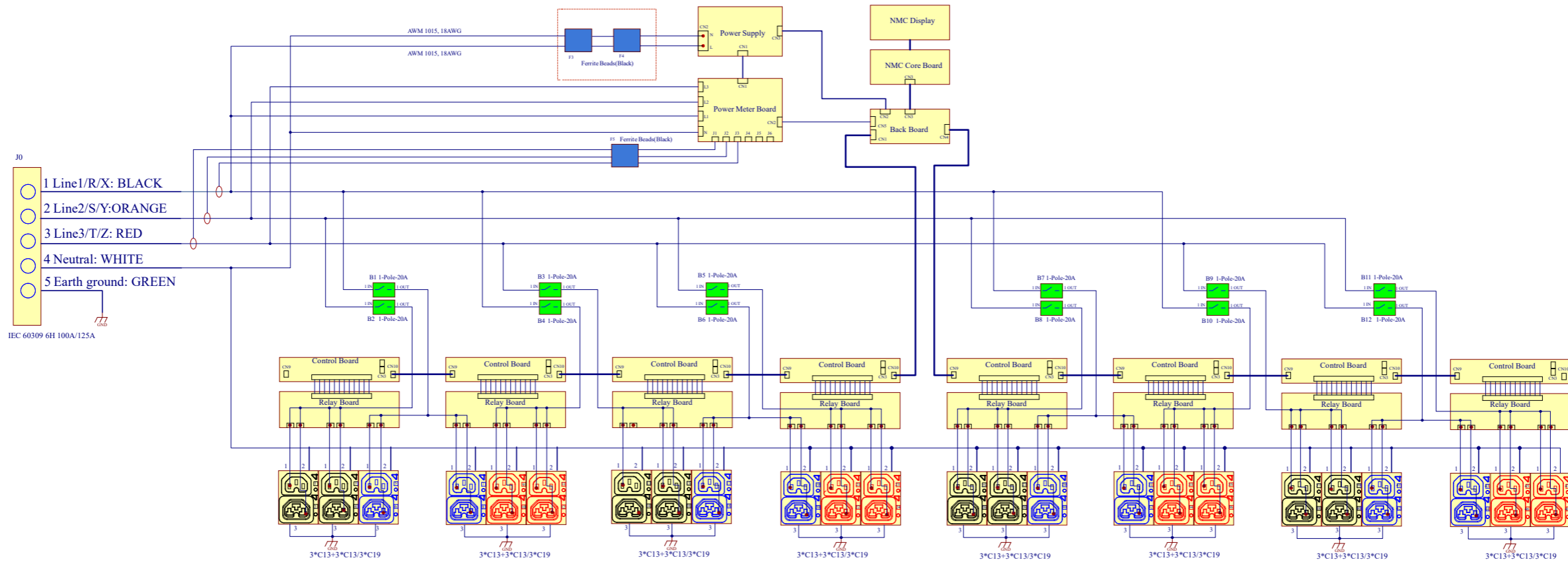
REV.	DESCRIPTION	DATE	APPROVED
01	INITIAL RELEASE	2026/04/16	TomZhong

PROPRIETARY AND CONFIDENTIAL		LINEAR TOLERANCE		ANGULAR TOLERANCE		TITLE:		FOWENOVO	
THIS DRAWING AND ITS SPECIFICATIONS ARE THE PROPERTY OF POWENOVO AND SHALL NOT BE COPIED, REPRODUCED, OR USED IN WHOLE OR IN PART, AS THE BASIS FOR THE MANUFACTURE OR SALE OF ITEMS WITHOUT THE WRITTEN PERMISSION FROM POWENOVO. THIS DRAWING IS BASED UPON THE LATEST AVAILABLE INFORMATION AND IS SUBJECT TO CHANGE WITHOUT NOTICE		<30	±0.1	< 30°	±0.5°	Advantage Series Metered Input & Switched per outlet		DRAWN BY TomZhong 2026/04/16	
		>30 to < 60	±0.2	>30° to < 90°	±1°	APPROVED BY Roy Rong 2026/04/16	PART NO: P3E48V80B		
		>60 to < 100	±0.30	> 90°	±1.5°	DEBURR AND BREAK SHARP EDGES/CONTOURS AT 0.2mm MAX		MATERIAL NA REV. 01	
		>100 to < 150	±0.40	UNITS:mm		INTERPRET TO ASME Y14.100		FINISH NA SIZE A3	
		> 150	±0.50	BRACKETED DIMENSIONS ARE IN INCHES FOR REFERENCE ONLY				SCALE NA SHEET 1/2	

NOTES:
 1.INTERNAL WIRING:
 WIRE TYPE: UL AWM 1015, 10&12&18AWG
 LINE 1/R/X COLOR: BLACK
 LINE 2/S/Y COLOR: ORANGE
 LINE 3/T/Z COLOR: RED
 EARTH GROUND COLOR: GREEN STRIPE

2.FOR FINISHED GOOD PART NUMBER SEE IDENTIFICATION

REV.	DESCRIPTION	DATE	APPROVED
01	INITIAL RELEASE	2026/04/29	Yang Yang



INTERNAL WIRING SCHEMATIC

LINEAR TOLERANCE		ANGULAR TOLERANCE		TITLE:			POWENOVO			
<30	±0.1	< 30°	±0.5°	Advantage Series						
>30 to < 60	±0.2	>30° to < 90°	±1°	Metered Input & Switched per outlet						
>60 to < 100	±0.30	> 90°	±1.5°	DRAWN BY	Yang Yang	2026/04/29	PART NO:	P3E48V80B		
>100 to < 150	±0.40	UNITS:mm DEBURR AND BREAK SHARP EDGES/CONTOURS AT 0.2mm MAX	APPROVED BY	Roy Rong	2026/04/29	MATERIAL	NA	REV.	01	
> 150	±0.50		INTERPRET TO ASME Y14.100				FINISH	NA	SIZE	A3
							SCALE	NA	SHEET	2/2

PROPRIETARY AND CONFIDENTIAL
 THIS DRAWING AND ITS SPECIFICATIONS ARE THE PROPERTY OF POWENOVO AND SHALL NOT BE COPIED, REPRODUCED, OR USED IN WHOLE OR IN PART, AS THE BASIS FOR THE MANUFACTURE OR SALE OF ITEMS WITHOUT THE WRITTEN PERMISSION FROM POWENOVO. THIS DRAWING IS BASED UPON THE LATEST AVAILABLE INFORMATION AND IS SUBJECT TO CHANGE WITHOUT NOTICE