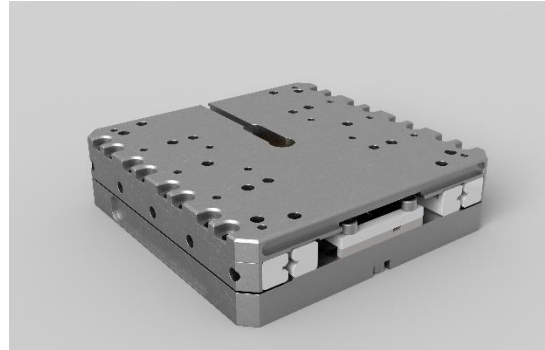


NP-450 Series

Cryogenic X Nanopositioner

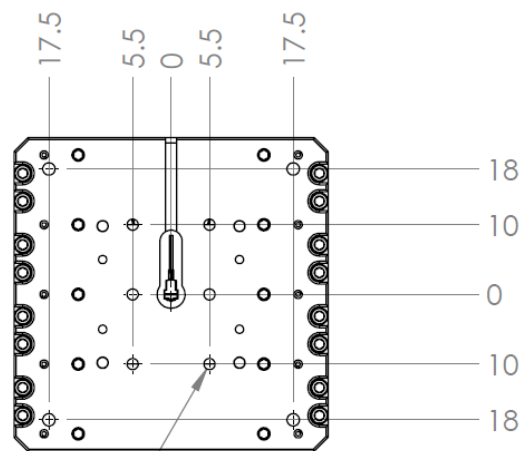
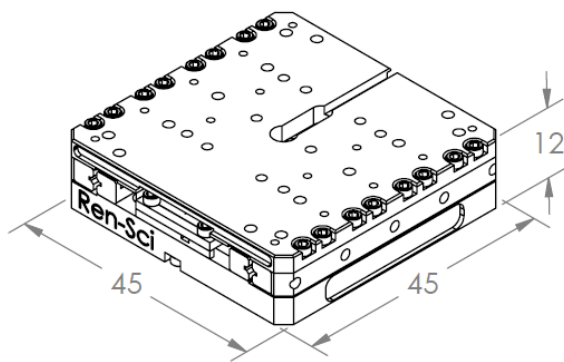


Description: The NP-450-X is a single axis transverse piezo controlled motor for cryogenic operation.



Technical Specifications:

Range (mm)	20
X Motor Capacitance (300K / 4K)	6 nF / 1 nF
Actuation	Shear PZT Ceramic
Drive Amplitude (Volts; bipolar)	+/-10 to +/-300
Drive Frequency (Hz)	10 to 2000
Materials	Ti (CP), BeCu, PZT Ceramic
Magnetization	< 10 nT
UHV Compatibility	To 1.0×10^{-11} mBar
Bakeout	To 120°C
Interface	Touchscreen; specify voltage, frequency, no. steps, axis select



M2 Mounting Holes (10X)