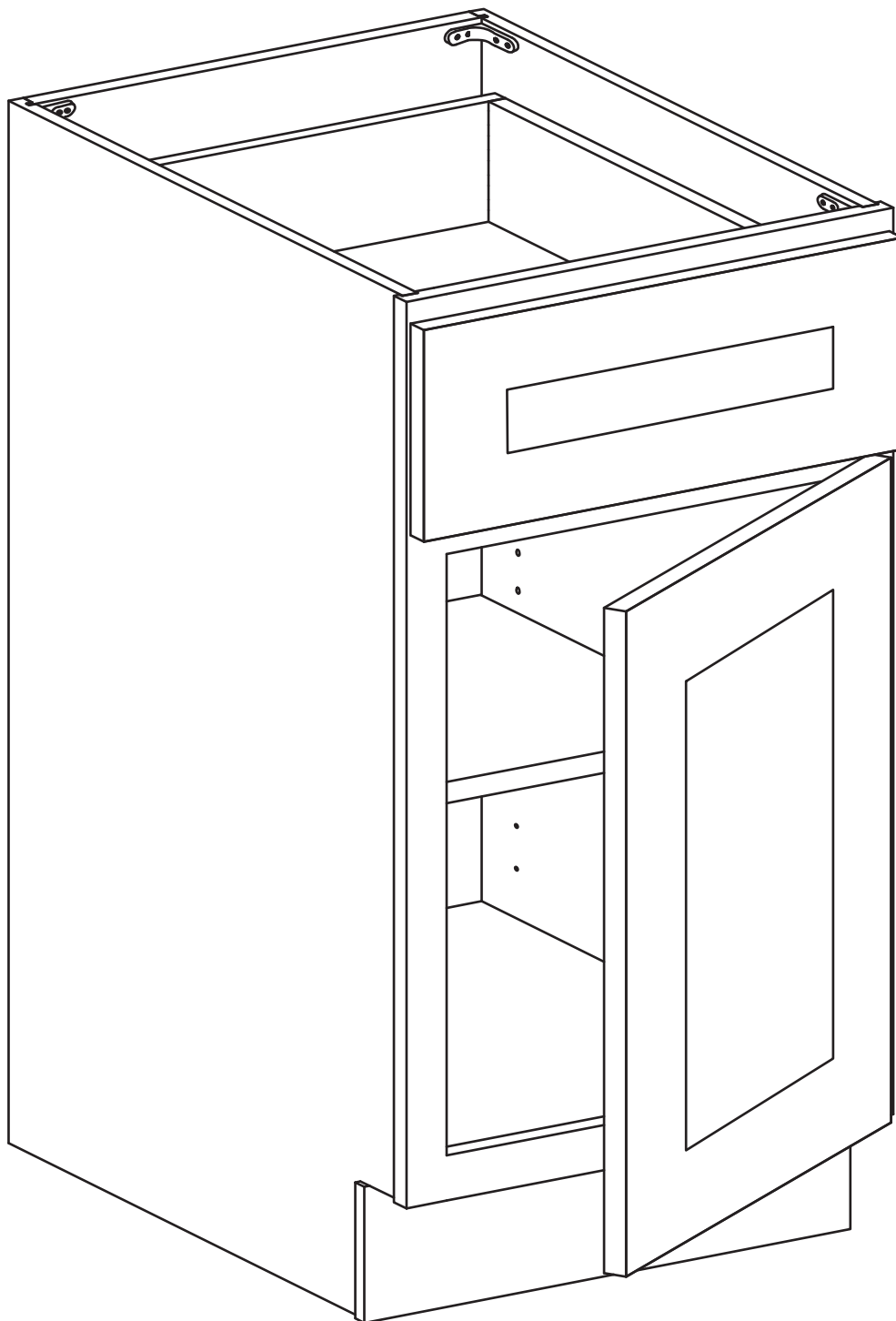


Assembly Instruction

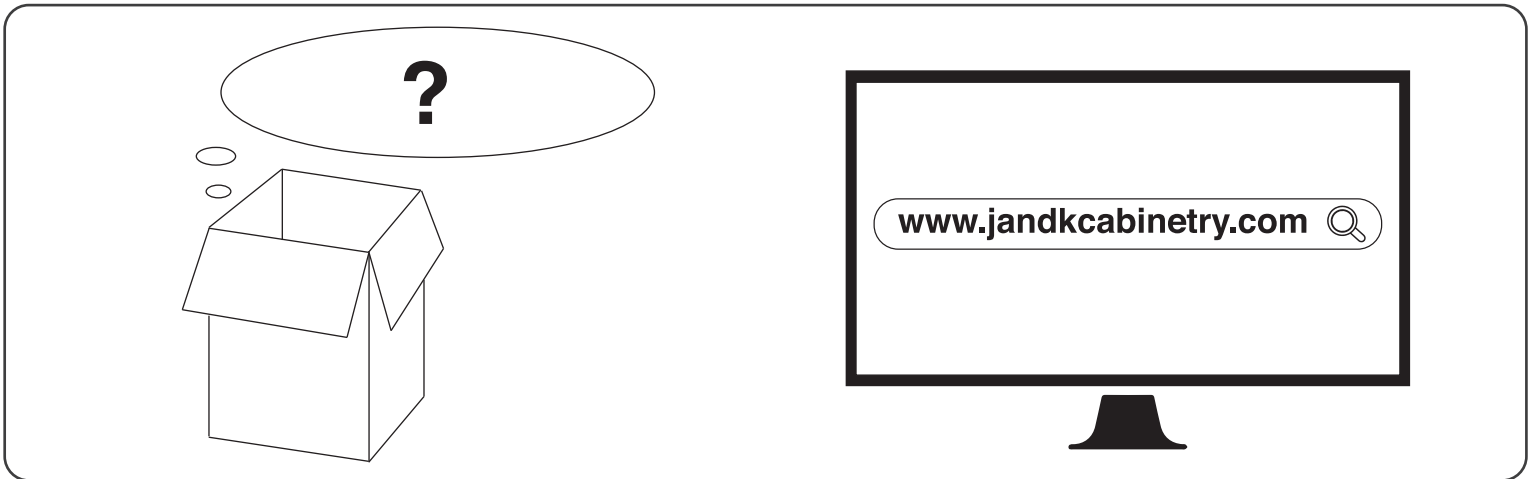
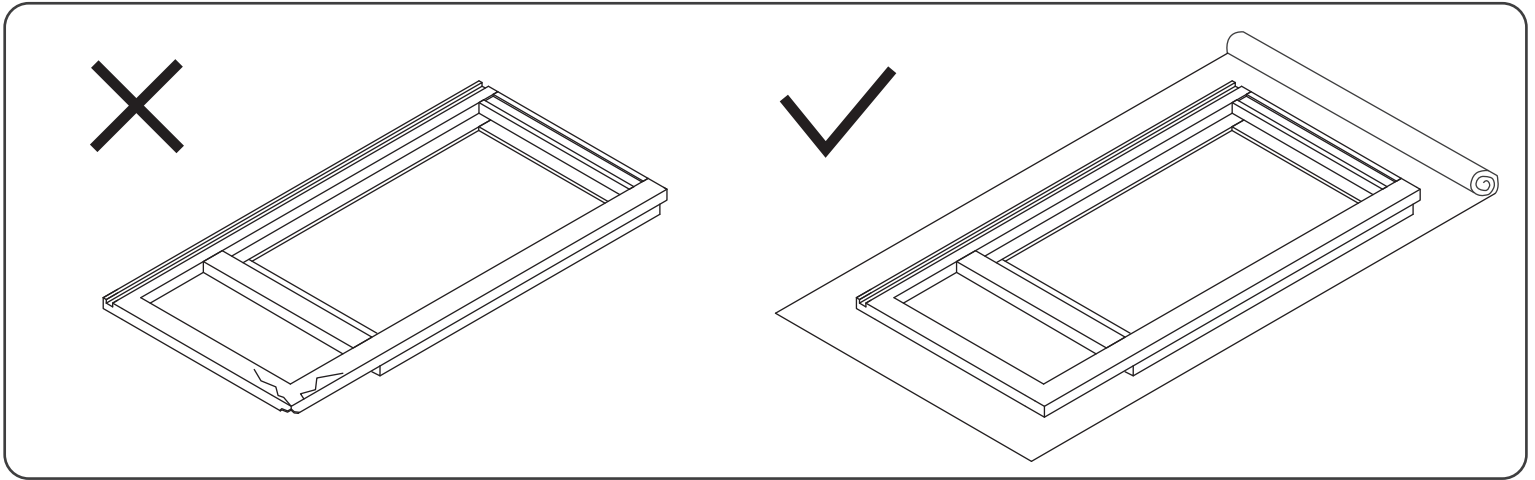
2020 Edition



Base Cabinet With 1 Drawer & 1 Door

Item Code:

B09, B12, B15, B18, B21



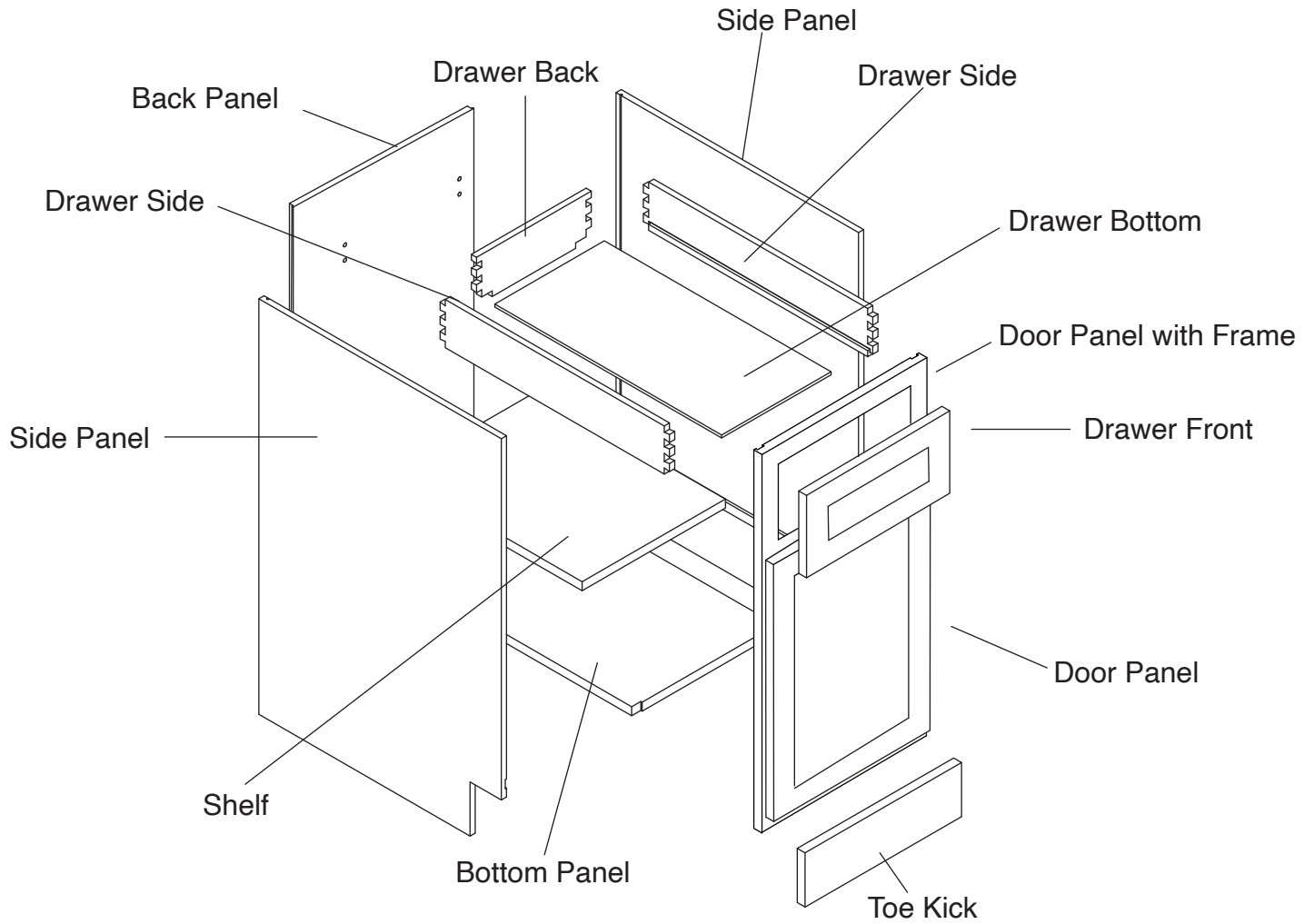
! WARNING:

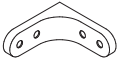

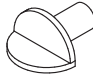
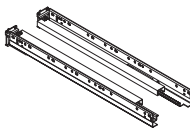
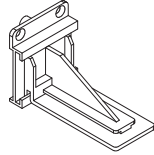
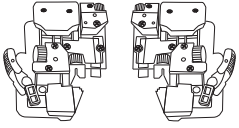
1. Please be careful when opening the box with boxcutter and/or blade.
2. J&K Cabinetry is not responsible for any injuries and/or damages incurred during cabinet assembly.

? SERVICE:

During the installation process, if you encounter any problems, please go to our official website: www.jandkcabinetry.com, check the full version assembly instruction or watch the assembly video online.

Included Items:



| | | | | | | | | |
|--|----------------|----------------|---------------|---|---|--|---|---|
|  | 1/2" | 19/32" | 1-3/16" |  |  |  |  |  |
| 90° Brackets X 4 | Screws X 10 | Screws X 16 | Screws X 3 | Door Bumpers X 6 | Shelf Pins X 4 | Under Mount Drawer Glide Kit X 1 | Glide Supports X 2 | Glide Locking Kit X 1 |

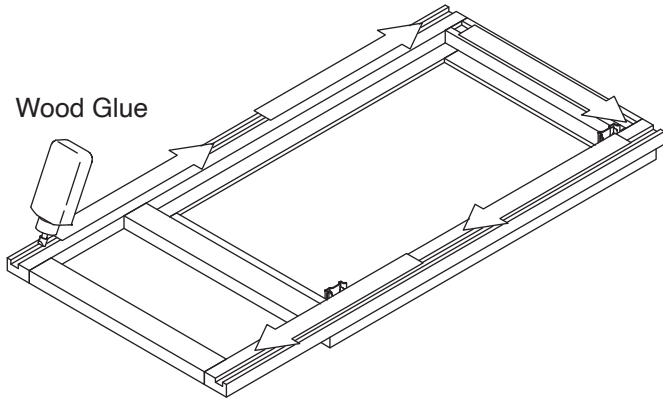
Recommended Tools:



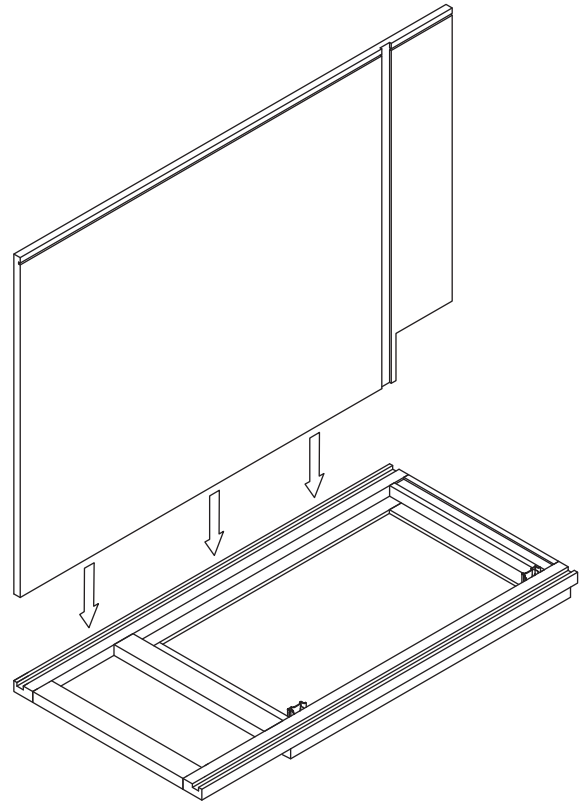
Safety Tools:



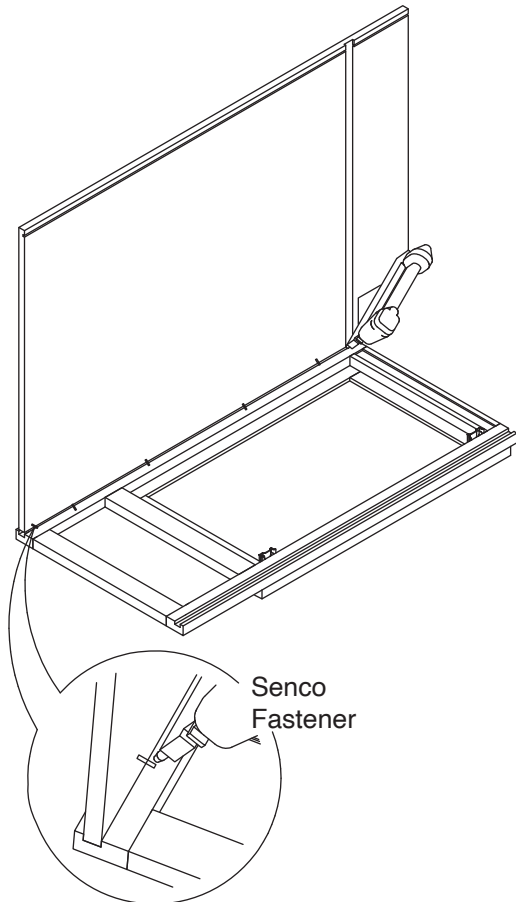
Step 1:



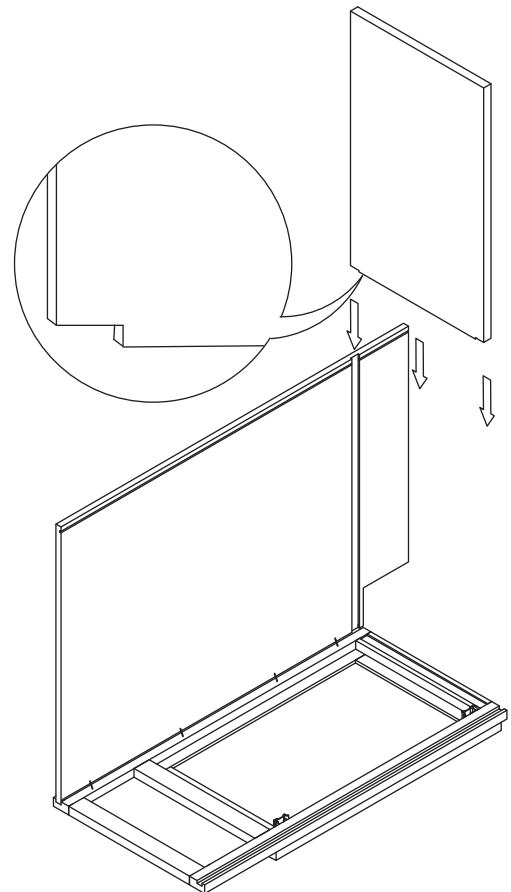
Step 2:



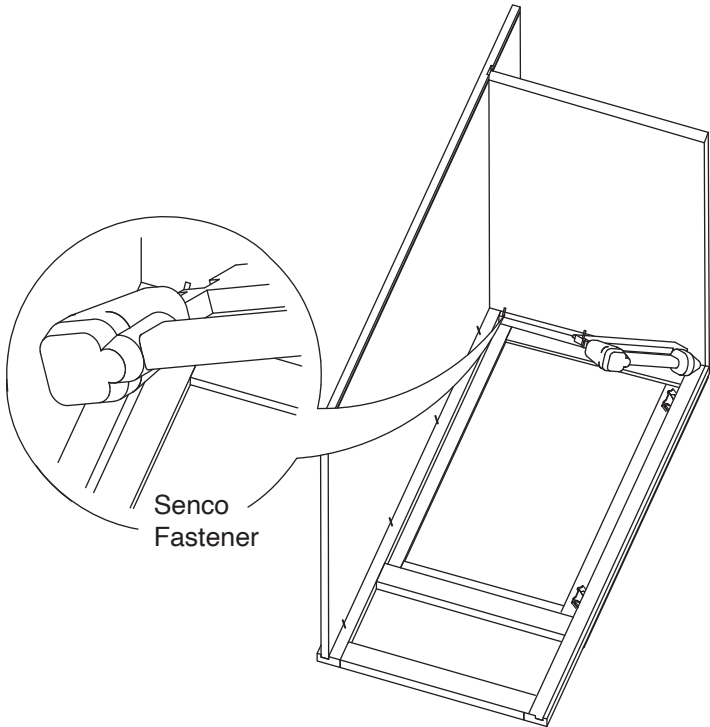
Step 3:



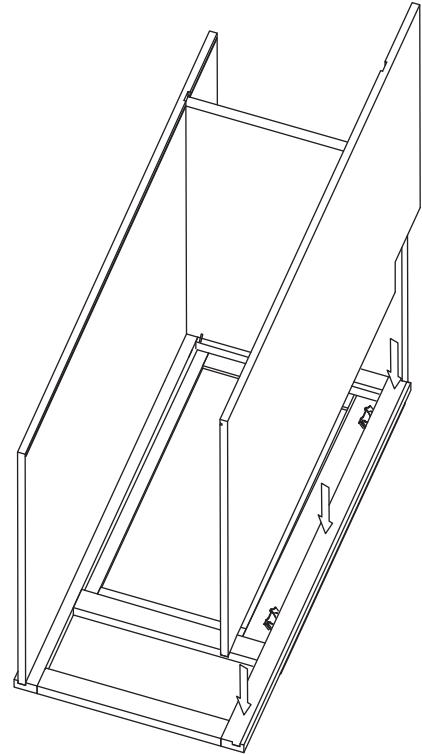
Step 4:



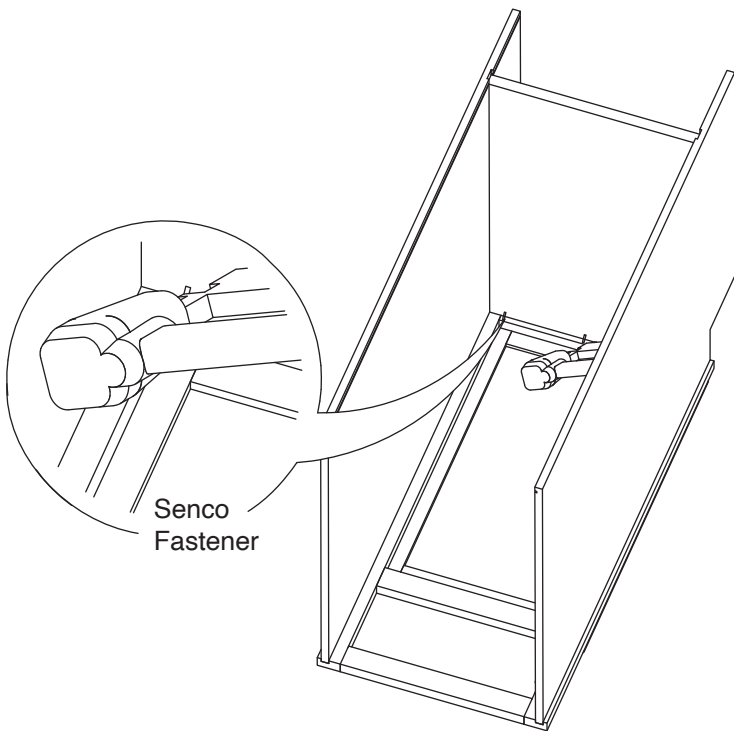
Step 5:



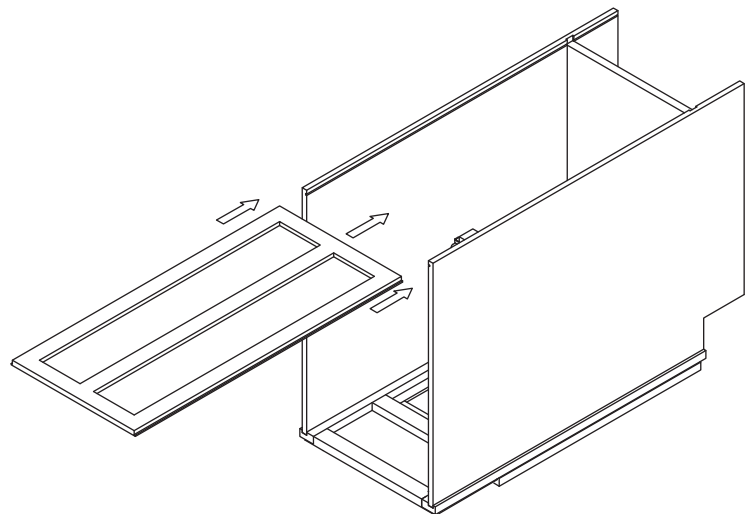
Step 6:



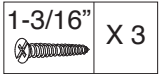
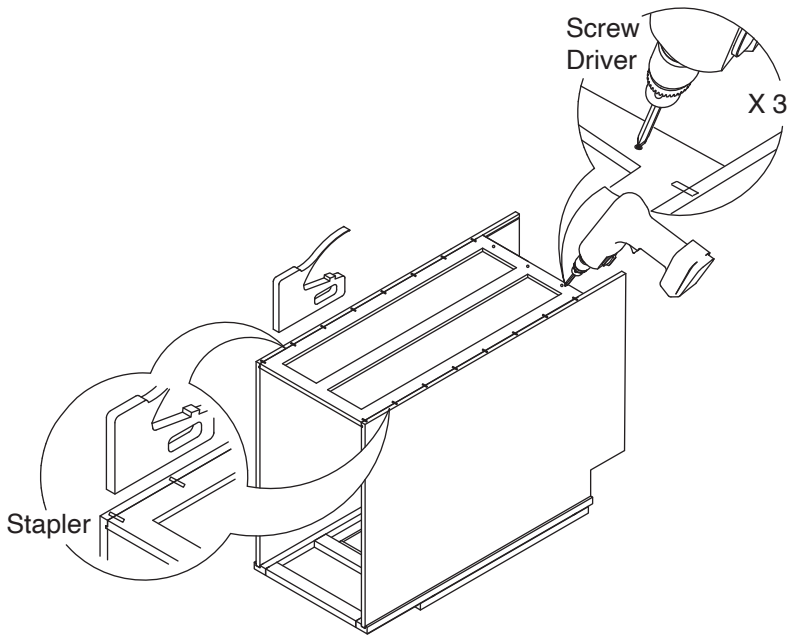
Step 7:



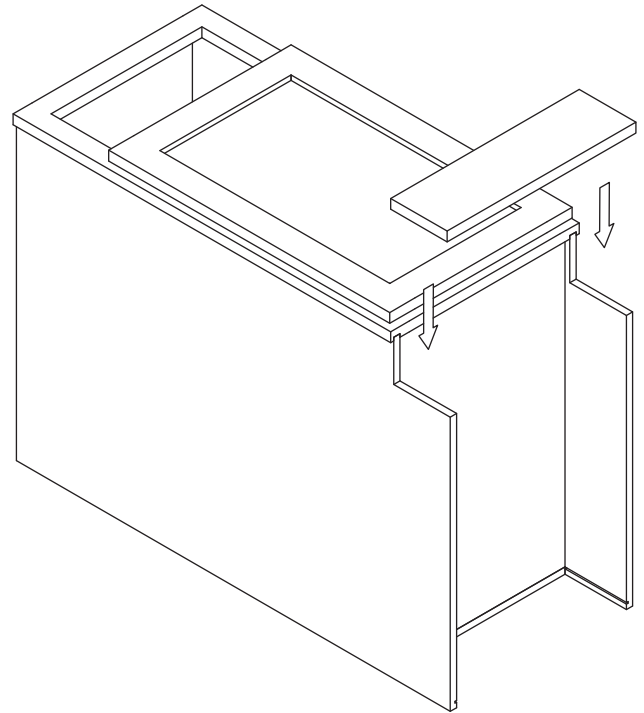
Step 8:



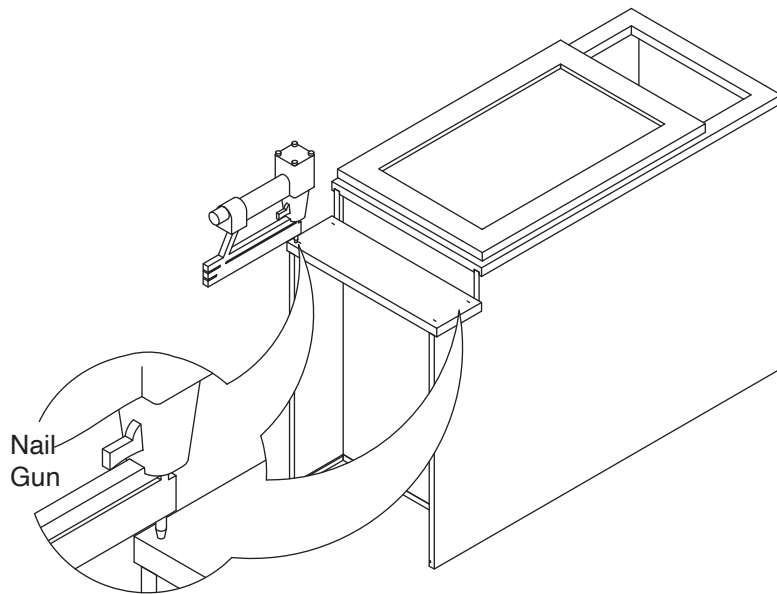
Step 9:



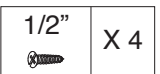
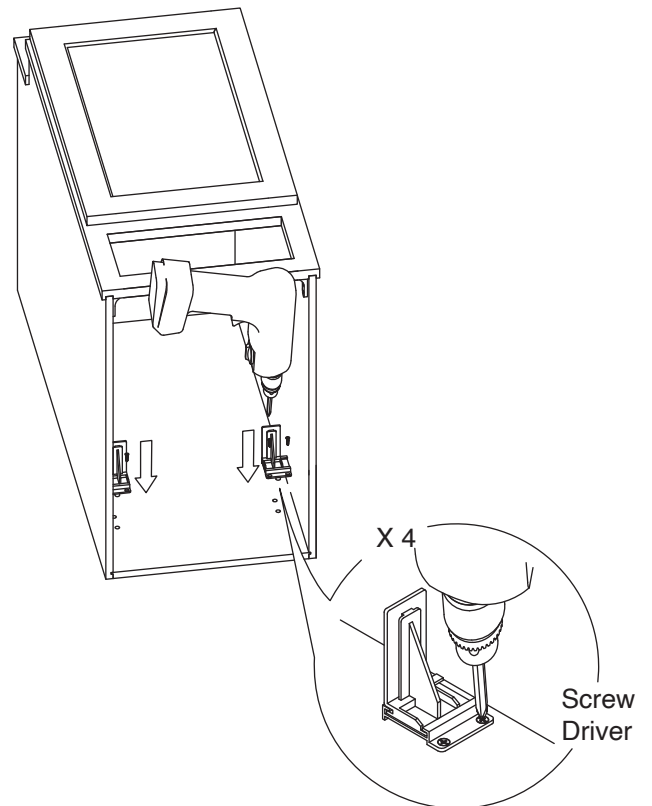
Step 10:



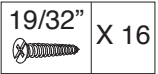
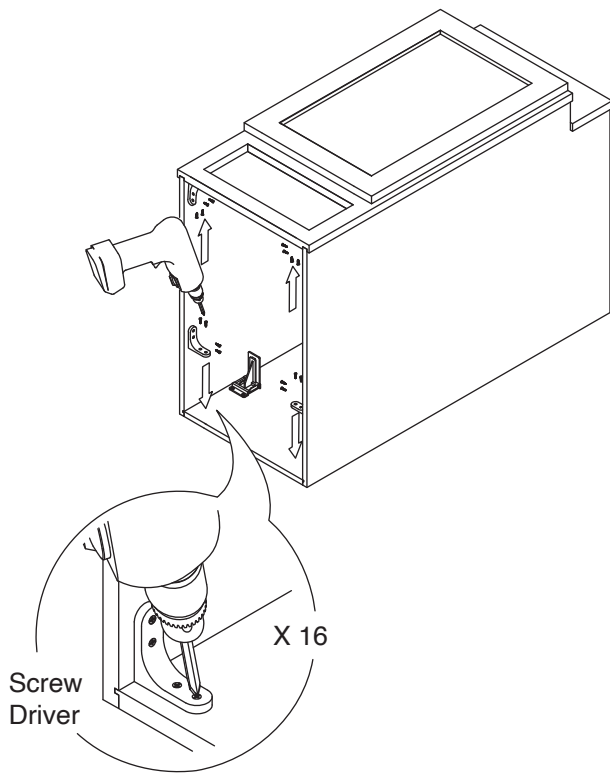
Step 11:



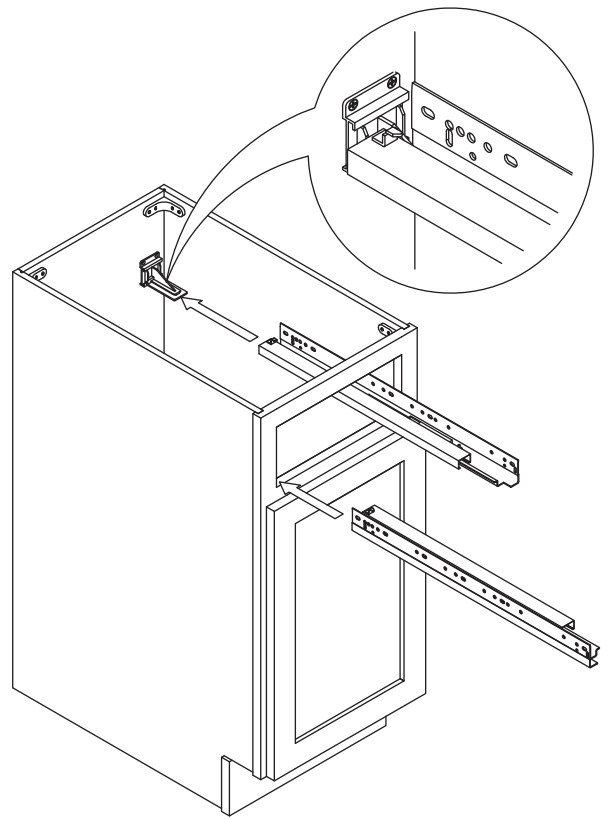
Step 12:



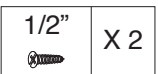
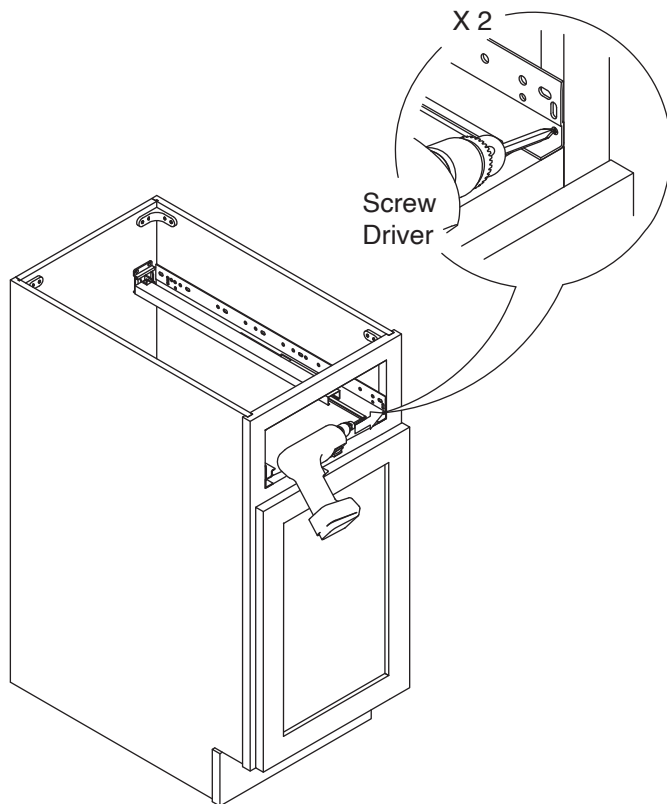
Step 13:



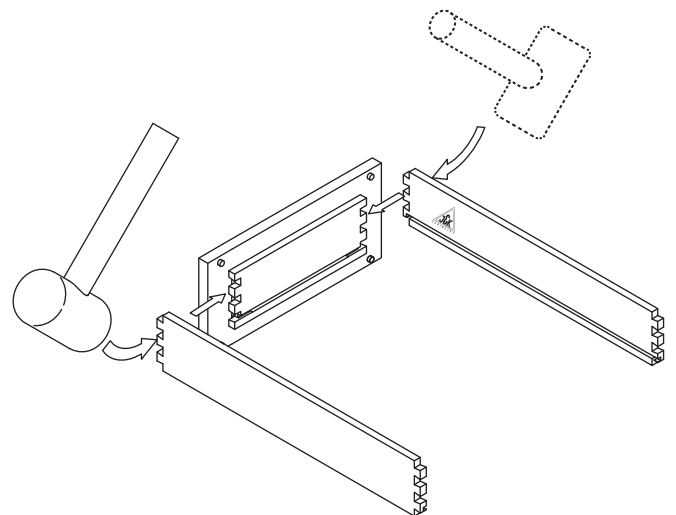
Step 14:



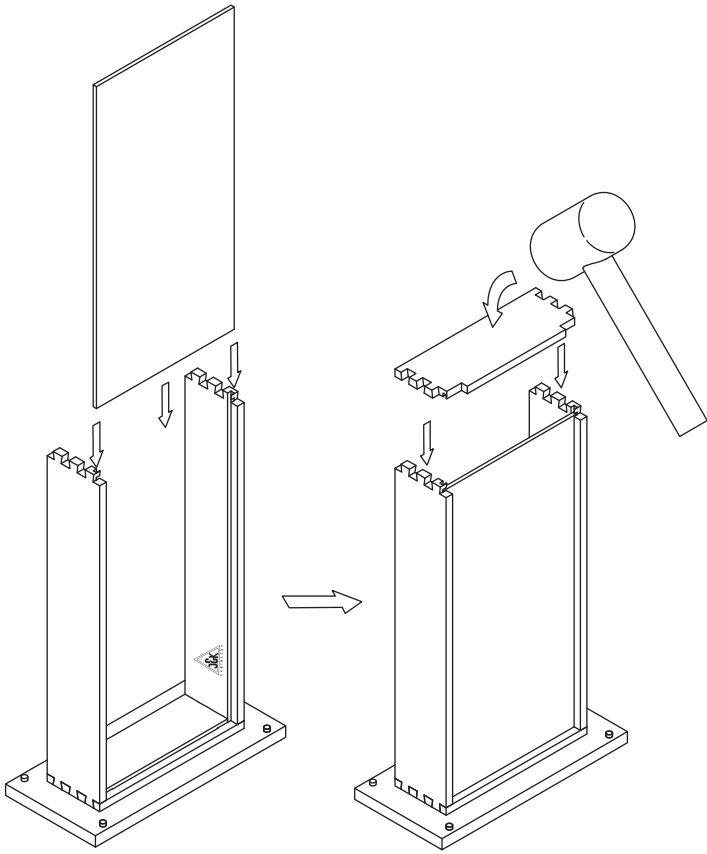
Step 15:



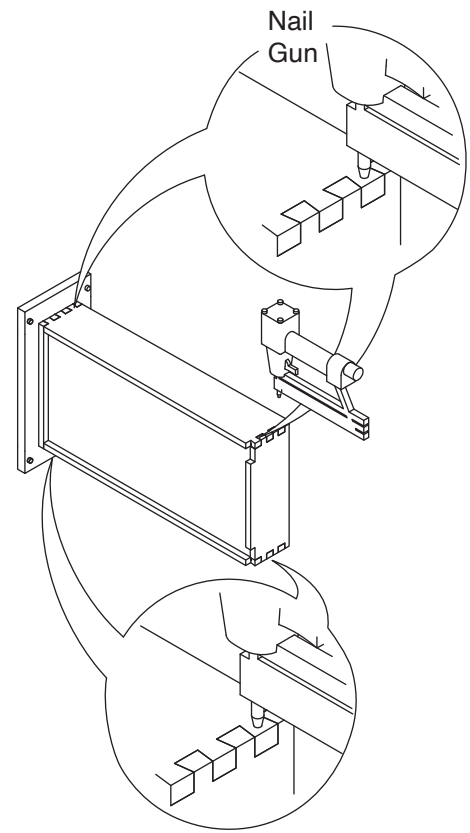
Step 16:



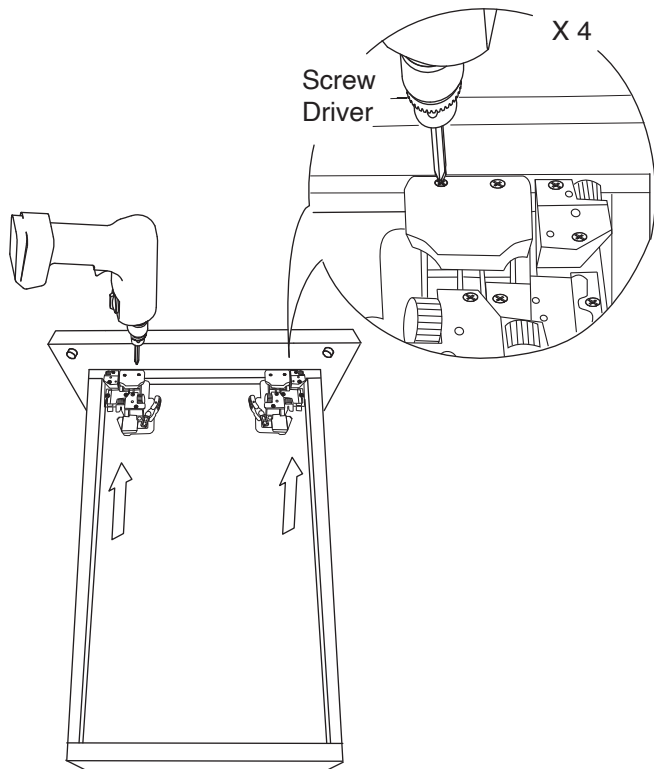
Step 17:



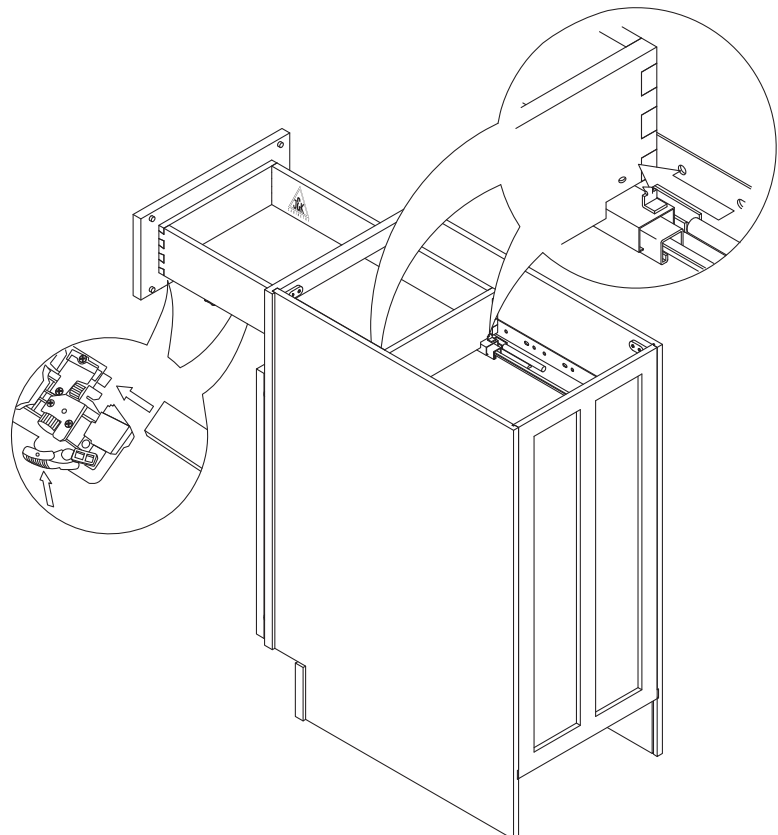
Step 18:



Step 19:

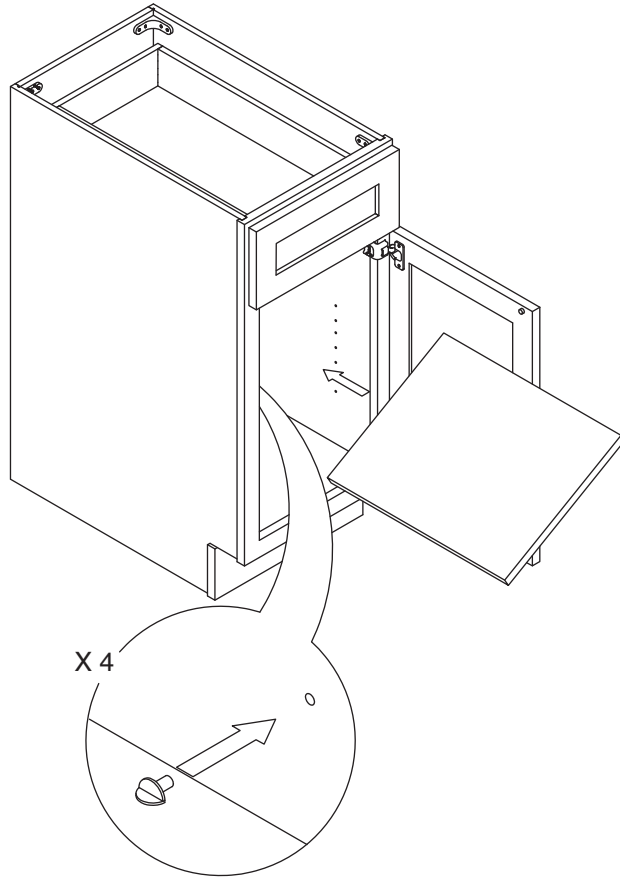


Step 20:



1/2" X 4

Step 21:



Step 22:

