

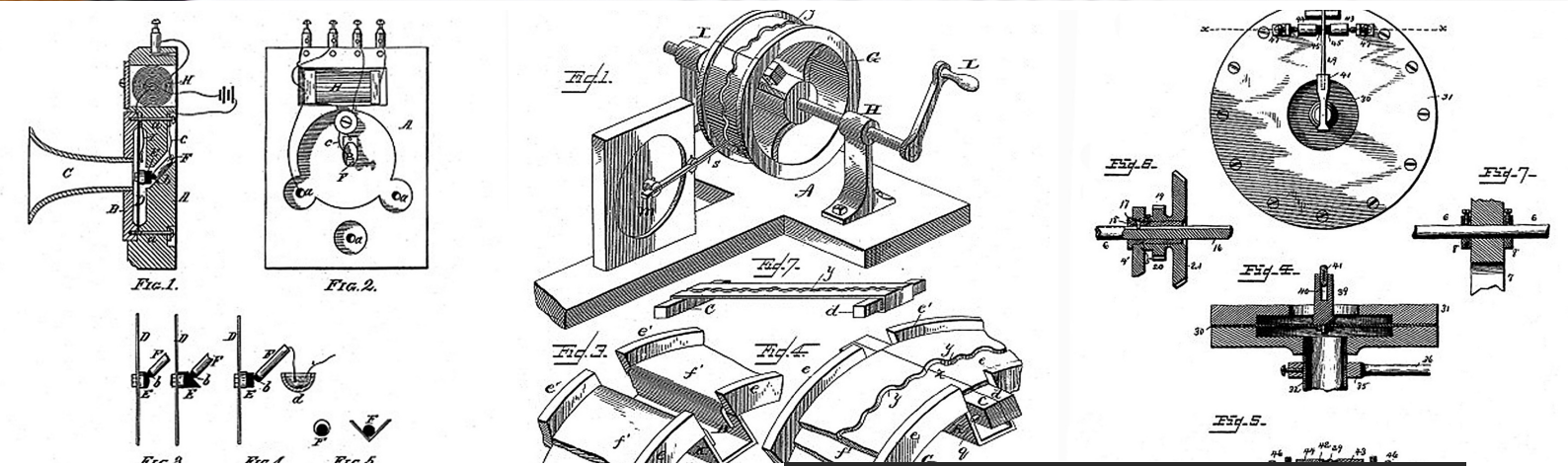
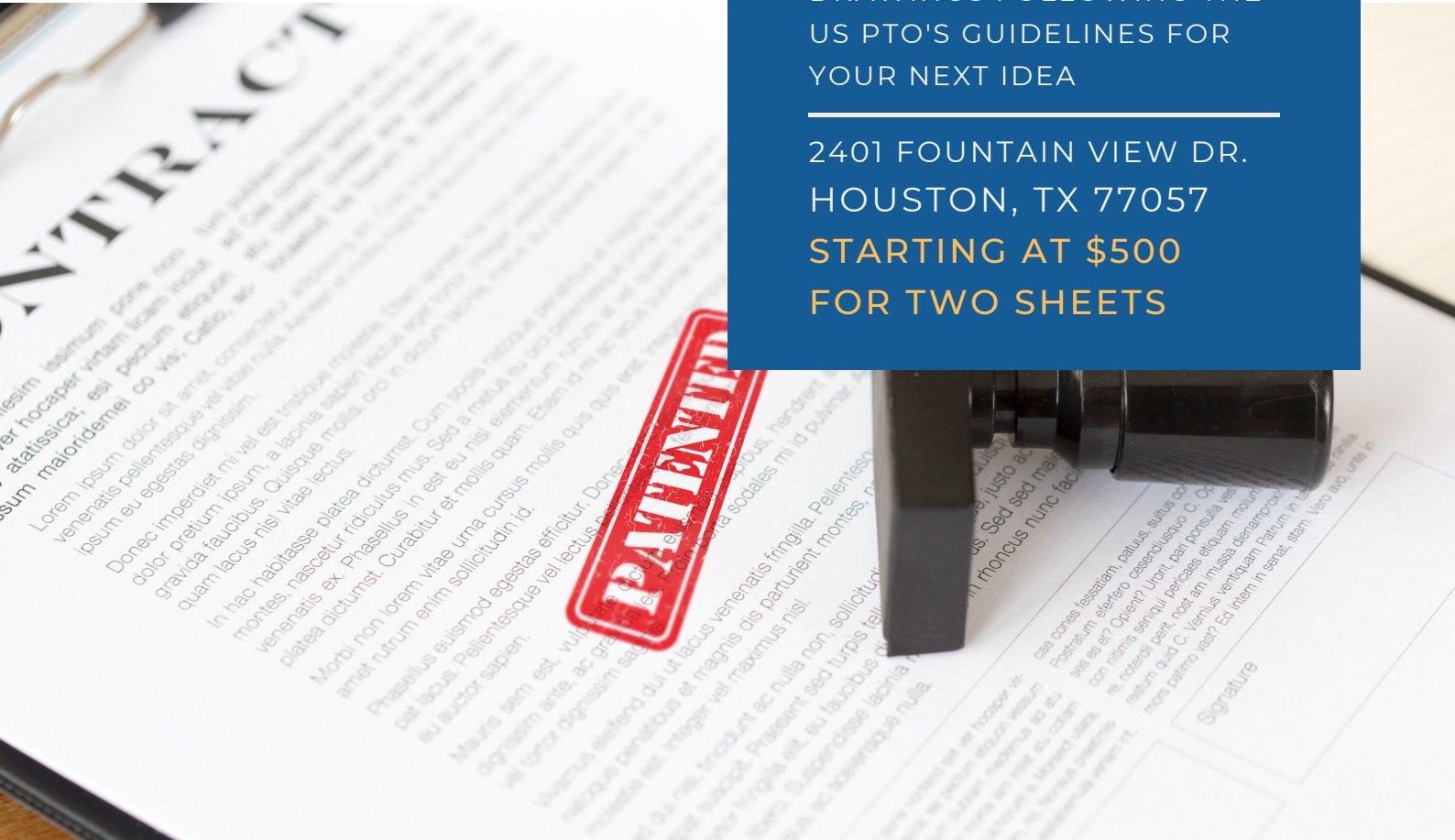


INTELLITRACE SOLUTIONS

SEE YOUR VISION BECOME A REALITY

EFFICIENT, AFFORDABLE
AND ACCURATE PATENT
DRAWINGS FOLLOWING THE
US PTO'S GUIDELINES FOR
YOUR NEXT IDEA

2401 FOUNTAIN VIEW DR.
HOUSTON, TX 77057
STARTING AT \$500
FOR TWO SHEETS



OUR PATENT DRAWINGS

- SUPPORT PATENT AGENTS & PATENT ATTORNEYS
- EFFICIENT, ECONOMIC, ACCURATE
- FILES SENT VIA PDF

SCHEDULE YOUR CONSULT

- FREE CONSULTATION WITH ONE OF OUR EXPERT DRAFTSMEN

INTELLITRACE SOLUTIONS

www.intellitracesolutions.com

832-844-9033

service@intellitracesolutions.com