



PARTS BOOK

MODELS: PB6000, G6060, G6070, G6070P

42.0901540B

This parts book is furnished for your convenience only. All parts must be purchased through an authorized dealer. Call us for a dealer near you.



P O Box 127
511 East Main St.
St. Nazianz, WI 54232
(920) 773-2121

Issue Date: 4/09

IMPORTANT!

For ongoing updates to this Parts Book

Visit us on the web at:

www.millerstn.com and click on PARTSMART web.

Check for new updates before placing any orders.

Order parts through your local dealer.

PB6000, G6060, G6070, G6070P

Bagger

Contents

SECTION 1 - FRAME, ROTOR, CABLE DRUMS, TUNNEL TOP, TUNNEL EXTENSIONS & BAG BOOM

Sect. 1 - Frame With Rotor & Cable Drums	1-2, 1-4
Sect. 1 - Frame With Rotor & Cable Drums Parts List.....	1-3, 1-5
Sect. 1 - Frame With Rotor & Cable Drums - G6070P	1-4
Sect. 1 - Frame With Rotor & Cable Drums Parts List - G6070P	1-5
Sect. 1 - Tunnel Top Interchangeable, Tunnel Extensions & Bag Cradle.....	1-6
Sect. 1 - Tunnel Top Interchangeable, Tunnel Extensions & Bag Cradle	1-7

SECTION 2 - WHEELS, TIRES, SPINDLE & HUB ASSEMBLY

Sect. 2 - Spindle & Hub Assembly - G6060, G6070, & G6070P	2-2
Sect. 2 - Spindle & Hub Assembly - G6060, G6070, & G6070P Parts List	2-3
Sect. 2 - Spindle & Hub Assembly - PB6000	2-4
Sect. 2 - Spindle & Hub Assembly - PB6000	2-5
Sect. 2 - Wheels & Tires.....	2-6
Sect. 2 - Wheels & Tires Parts List.....	2-7

SECTION 3 - CONVEYOR, DRIVE ASSEMBLY & HOPPER ASSEMBLY

Sect. 3 - Drive Assembly - Rotor	3-2
Sect. 3 - Drive Assembly Parts List	3-3
Sect. 3 - Hopper Assembly	3-4
Sect. 3 - Hopper Assembly Parts List.....	3-5
Sect. 3 - Split Conveyor (S/N 42.04939 & Before)	3-6, 3-8
Sect. 3 - Split Conveyor (S/N 42.04939 & Before) Parts List.....	3-7, 3-9
Sect. 3 - Split Conveyor (S/N 42.04940 & After)	3-10, 3-12
Sect. 3 - Split Conveyor (S/N 42.04940 & After) Parts List	3-11, 3-13
Sect. 3 - Lower Assembly - Split Conveyor (S/N 42.04940 & After).....	3-14
Sect. 3 - Lower Assembly - Split Conveyor (S/N 42.04940 & After) Parts List	3-15
Sect. 3 - Single Conveyor.....	3-16, 3-18
Sect. 3 - Single Conveyor Parts List.....	3-17, 3-19
Sect. 3 - Conveyor Support/Slide Assembly Split & Single Conveyor.....	3-20
Sect. 3 - Conveyor Support/Slide Assembly Split & Single Conveyor Parts List	3-21
Sect. 3 - Conveyor Lift Assembly - Manual.....	3-22
Sect. 3 - Conveyor Lift Assembly - Manual Parts List.....	3-23
Sect. 3 - Hydraulic Conveyor Lift Kit - G6060, G6070 & G6070P	3-24
Sect. 3 - Hydraulic Conveyor Lift Kit Parts List- G6060, G6070 & G6070P.....	3-25

Contents (continued)

SECTION 4 - BRAKE ASSEMBLY, CABLE GUIDE ASSEMBLY, & BAG BOOM	
Sect. 4 - Brake Assembly - G6060, G6070 & G6070P	4-2
Sect. 4 - Brake Assembly - G6060, G6070 & G6070P Parts List.....	4-3
Sect. 4 - Cable/Guide Assembly	4-4
Sect. 4 - Cable/Guide Assembly Parts List.....	4-5
Sect. 4 - Bag Boom - PB6000, G6060, G6070 & G6070P	4-6
Sect. 4 - Bag Boom Parts List - PB6000, G6060, G6070 & G6070P	4-7
SECTION 5 - BACKSTOP & JACKSTAND	
Sect. 5 - Backstop, Steel	5-2
Sect. 5 - Backstop, Steel Parts List	5-3
Sect. 5 - Backstop, Aluminum - Optional	5-4
Sect. 5 - Backstop, Steel - Optional Parts List.....	5-5
Sect. 5 - Jack Stand - G6060, G6070, & G6070P	5-6
Sect. 5 - Jack Stand - G6060, G6070, & G6070P Parts List.....	5-7
SECTION 6 - TRANSPORT LIGHTS, SAFETY SIGNS & DECALS	
Sect. 6 - Transport Lights & Light Stand - G6060, G6070 & G6070P	6-2
Sect. 6 - Transport Lights & Light Stand - G6060, G6070 & G6070P Parts List	6-3
Sect. 6 - Transport Lights & Light Stand - PB6000	6-4
Sect. 6 - Transport Lights & Light Stand - PB6000Parts List.....	6-5
Sect. 6 - Safety Signs & Decals - G6060, G6070 & G6070P	6-6
Sect. 6 - Safety Signs & Decals - G6060, G6070 & G6070P Parts List	6-7
Sect. 6 - Safety Signs & Decals - PB6000	6-8
Sect. 6 - Safety Signs & Decals - PB6000 Parts List	6-9
SECTION 7 - GEARBOX	
Sect. 7 - Gearbox Dual Output - G6060 & G6070	7-2
Sect. 7 - Gearbox Dual Output - G6060 & G6070 Parts List.....	7-3
Sect. 7 - Gearbox Single Output - PB6000	7-4
Sect. 7 - Gearbox Single Output - PB6000 Parts List	7-5
SECTION 8 - PTO DRIVELINE	
Sect. 8 - PTO Transport Kit - G6060 & G6070	8-2
Sect. 8 - PTO Transport Kit - G6060 & G6070 Parts List	8-3
Sect. 8 - PTO Transport Assembly - G6070P	8-4
Sect. 8 - PTO Transport Assembly - G6070P Parts List.....	8-5
Sect. 8 - PTO Shaft - PB6000 & (G6060 Up To 2009 Production)	8-6
Sect. 8 - PTO Shaft - PB6000 & (G6060 Up To 2009 Production) Parts List	8-7
Sect. 8 - PTO Shaft - PB6000 & (G6060 2009 Production & After)	8-8
Sect. 8 - PTO Shaft - G6070 & (G6060 2009 Production & After) Parts List.....	8-9
Sect. 8 - PTO Shaft - G6070P	8-10
Sect. 8 - PTO Shaft - G6070P Parts List.....	8-11

Contents (continued)

SECTION 9 - HYDRAULICS & BREATHER ASSEMBLY

Sect. 9 - Hydraulic Drive Assembly - Single Conveyor - PB6000	9-2
Sect. 9 - Hydraulic Drive Assembly - Single Conveyor - PB6000 Parts List.....	9-3
Sect. 9 - Hydraulic Assembly - G6060 & G6070	9-4, 9-6
Sect. 9 - Hydraulic Assembly - G6060 & G6070 Parts List	9-5, 9-7
Sect. 9 - Hydraulic Drive - PTO Sheild Assembly - G6060 & G6070	9-8
Sect. 9 - Hydraulic Drive - PTO Sheild Assembly - G6060 & G6070 Parts List	9-9
Sect. 9 - Breather Assembly - Planetary - G6070P	9-10
Sect. 9 - Breather Assembly - Planetary - G6070P Parts List.....	9-11

SECTION 10 - MISCELLANEOUS ITEMS, OPTIONS & KITS

Sect. 10 - Miscellaneous Items	10-2
Sect. 10 - Miscellaneous Items Parts List	10-3
Sect. 10 - Safety Chain Kit	10-4
Sect. 10 - Safety Chain Kit Parts List	10-5
Sect. 10 - Gandy, 45 lb. Dry Inoculant Applicator	10-6
Sect. 10 - Gandy, 45 lb. Dry Inoculant Applicator Parts List.....	10-7
Sect. 10 - Hydraulic Lift Kit - G6060, G6070 & G6070P	10-8
Sect. 10 - Hydraulic Lift Kit - G6060, G6070 & G6070P Parts List.....	10-9
Sect. 10 - Gandy Option G6060, G6070 & G6070P	10-10
Sect. 10 - Gandy Option G6060, G6070 & G6070P Parts List.....	10-11
Sect. 10 - Gandy Box PB6000 Only	10-10
Sect. 10 - Gandy Box PB6000 Only Parts List	10-11

SECTION 11 - NUMERICAL PART NUMBER INDEX

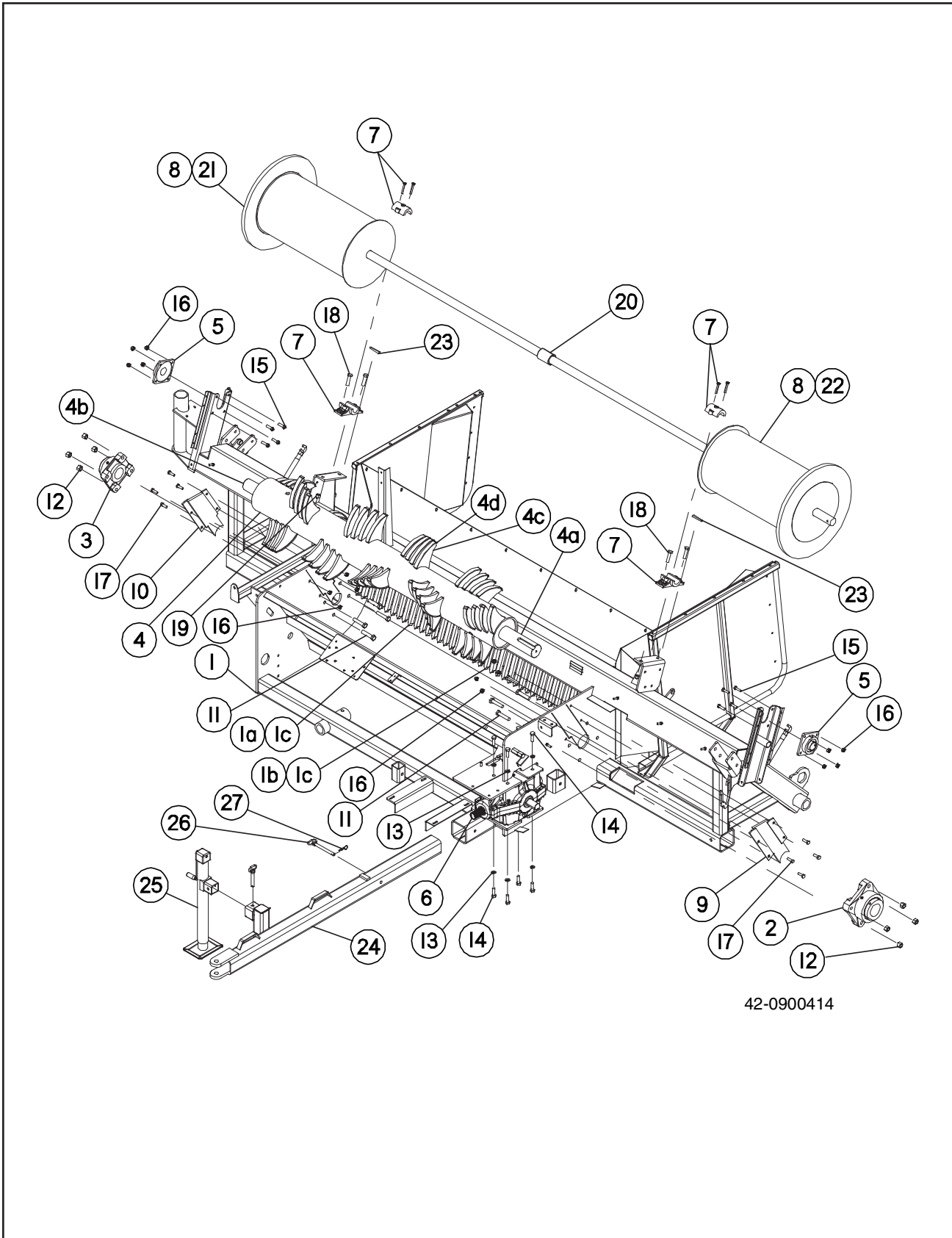
Part Number Index	11-2
--------------------------------	-------------

This Page Intentionally Left Blank

SECTION 1
FRAME, ROTOR, CABLE DRUMS,
TUNNEL TOP, TUNNEL EXTEN-
SIONS & BAG BOOM

SECTION 1

Sect. 1 - Frame With Rotor & Cable Drums



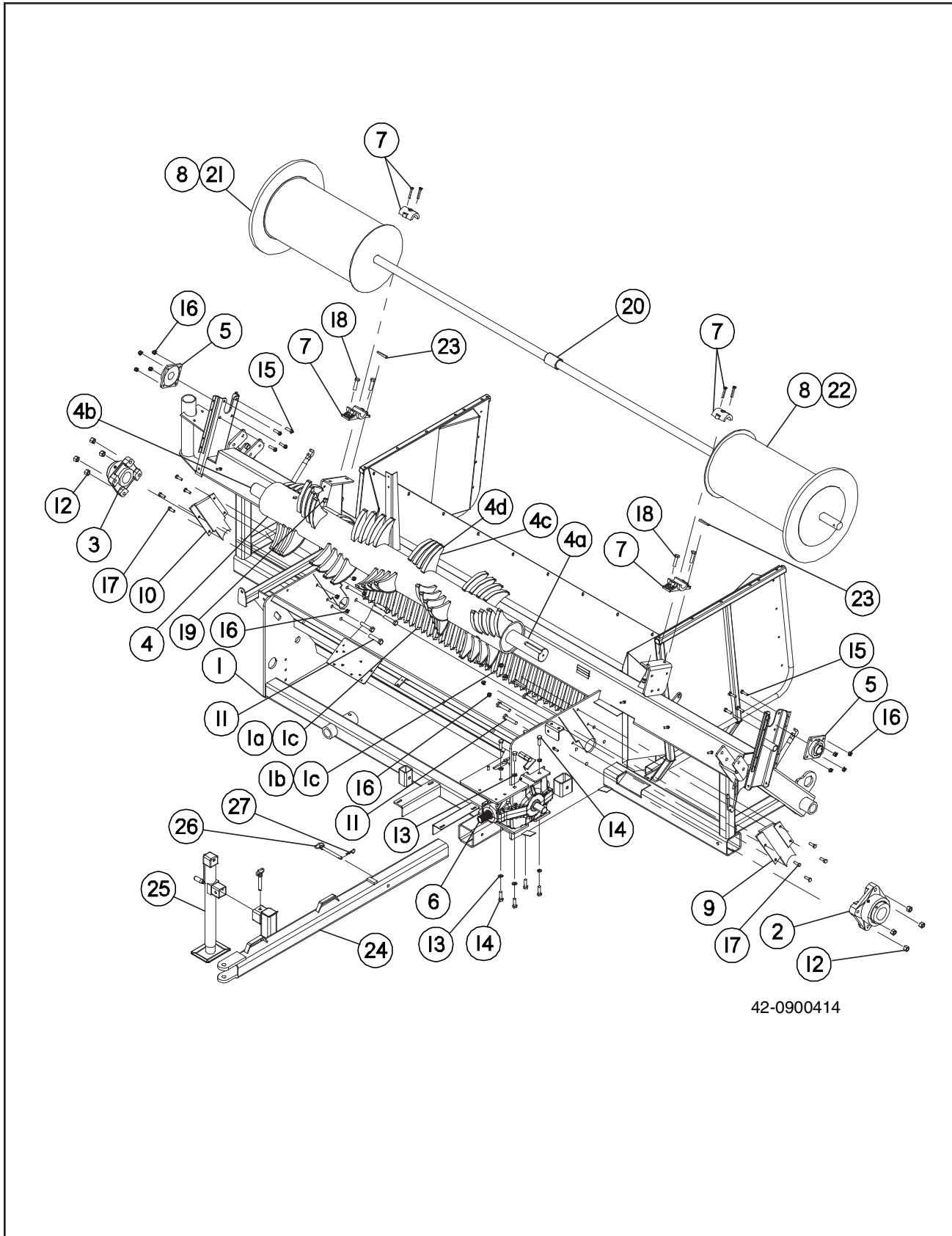
42-0900414

Sect. 1 - Frame With Rotor & Cable Drums Parts List

Item	Part No.	Quantity	Description
1	42.0900413	1	Frame Weldment - G6070 Only
	42.0900586	1	Frame Weldment - G6060 S/N 42.05167 & Before
	42.0901595	1	Frame Weldment - G6060 S/N 42.05168 & After
	42.0901117	1	Frame Weldment - PB6000 with 8 Ft Tunnel Only
	42.0901121	1	Frame Weldment - PB6000 with 9 Ft Tunnel Only
1a	42.0000093	AR	Stripper Plate - 45" Weld In G6070 (Non Gearbox End)
1b	42.0000094	AR	Stripper Plate - 35" Weld In G6060 (Gearbox End) & PB6000 (Gearbox End)
1c	42.0000095	AR	Stripper Plate - 33" Weld In G6070 (Gearbox End), G6060 (Non Gearbox End) & PB600 (Non Gearbox End)
2	42.0900372	1	Bearing, Drive, 3-7/16" Spherical 4 Bolt Footed - G6070 & (G6060 S/N 42.05168 & After)
3	42.0900371	1	Bearing, Drive, 2-15/16" 4 Bolt Footed - G6060 & PB6000 Only
4	42.0900863	1	Rotor + Four Teeth & Caps - G6070 Only (Weld Req'd)
	42.0901137	1	Rotor + Four Teeth & Caps - G6060 Only 2-15/16" Shaft (Weld Req'd) (S/N 42.05167 & Before)
	42.0901599	1	Rotor + Four Teeth 3-7/16" Shaft - (Weld Req'd) (G6060 S/N 42.05168 & After)
	42.0901139	1	Rotor + Three Teeth & Caps - PB6000 Only (Weld Req'd)
4a	42.0900380	1	Stub Shaft Drive, Weld In - G6070 & (G6060 S/N 42.05168 & After)
	42.6002005	1	Stub Shaft Drive, Weld In - (G6060 S/N 42.05167 & Before) & PB6000 Only
4b	42.6002008	1	Stub Shaft Idle, 2-15/16" Weld In
4c	42.1020018	56	Tooth Assembly w/Cap - G6070 Only
	42.1020018	48	Tooth Assembly w/Cap - G6060 Only
	42.1020018	36	Tooth Assembly w/Cap - PB6000 Only
4d	42.1020001	56	Cap, Rotor Tooth, Weld On - G6070 Only
	42.1020001	48	Cap, Rotor Tooth, Weld On - G6060 Only
	42.1020001	36	Cap, Rotor Tooth, Weld On - PB6000 Only
5	42.1510044	2	Bearing, 4 Bolt Flange
6	42.1520814	1	Gearbox, Dual Output - G6060 & G6070 Only
	42.1520051	1	Gearbox, Single Output - PB6000 Only
7	42.1510047	2	Bearing, Split Babbit
8	42.0900246	2	Drum, Cable, w/Brake Flange, 7 Ft Rotor - 6070 Only
9	42.0900445	1	Weldment, Rotor Access, Drive - G6070 & (G6060 42.05168 & After)
	42.0900349	1	Weldment, Rotor Access, Drive - (G6060 S/N 42.05167 & Before) & PB6000 Only
10	42.0900447	1	Weldment, Rotor Access, Idle
11	904215	8	Bolt, Hex, 3/4-10 x 3-1/2" Gr 5
12	906349	8	Nut, Hex Lock, 3/4-10 Nylock
13	900508	8	Washer, Lock, 5/8" Yellow Zinc
14	904253	8	Bolt, Hex, 5/8-11 x 2" Gr 5
15	903518	8	Bolt, Hex, 1/2-13 x 1-3/4" Gr 5

SECTION 1

Sect. 1 - Frame With Rotor & Cable Drums (continued)

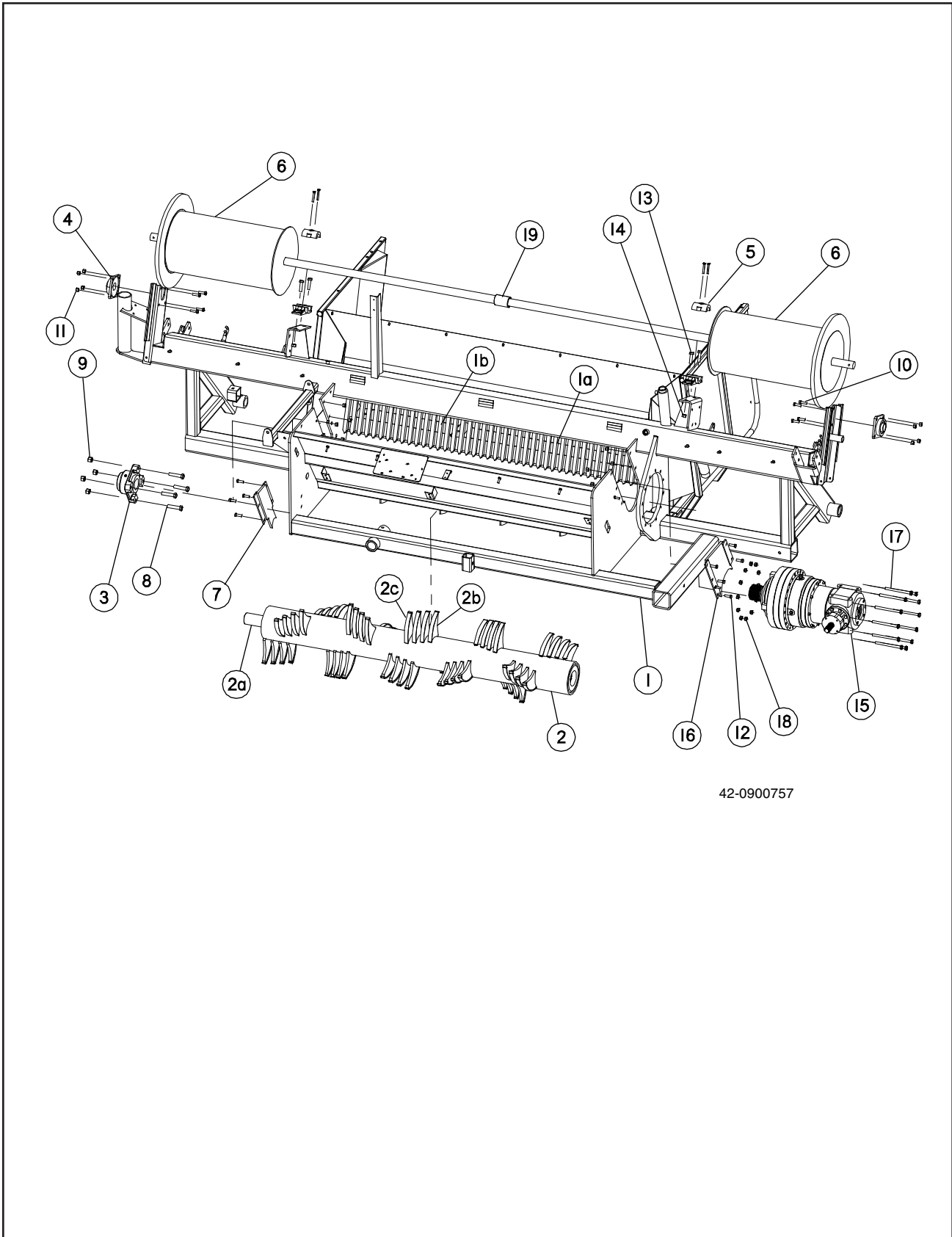


Sect. 1 - Frame With Rotor & Cable Drums Parts List (continued)

Item	Part No.	Quantity	Description
16	906401	16	Nut, Hex Lock, 1/2-13 Nylock
17	903306	8	Bolt, Hex, 1/2-13 x 1-1/2" Gr 5
18	903832	4	Bolt, Hex, 5/8-11 x 2-1/2" Gr 5
19	906402	4	Nut, Hex Lock, 5/8-11 Nylock
20	42.6003021	1	Coupling, Cable Drum
21	42.6003024	1	Cable Drum, Non Brake Side, 6 Ft Rotor - G6060 & PB6000 Only
22	42.6003025	1	Cable Drum, Brake Side, 6 Ft Rotor - G6060 & PB6000 Only
23	01.73266	2	Key, Square, 3/8" x 3" Undersize
24	42.6011009	1	Hitch, Field, 8-9 Ft - G6060 & PB6000 Only
	42.6011010	1	Hitch, Field, 10 Ft - G6070 & G6070P Only)
25	42.1501398	1	Jack, Manual, 15" Square Mount
26	42.1550172	1	Pin, Hitch
27	05.73120	1	Pin, Hair

SECTION 1

Sect. 1 - Frame With Rotor & Cable Drums - G6070P



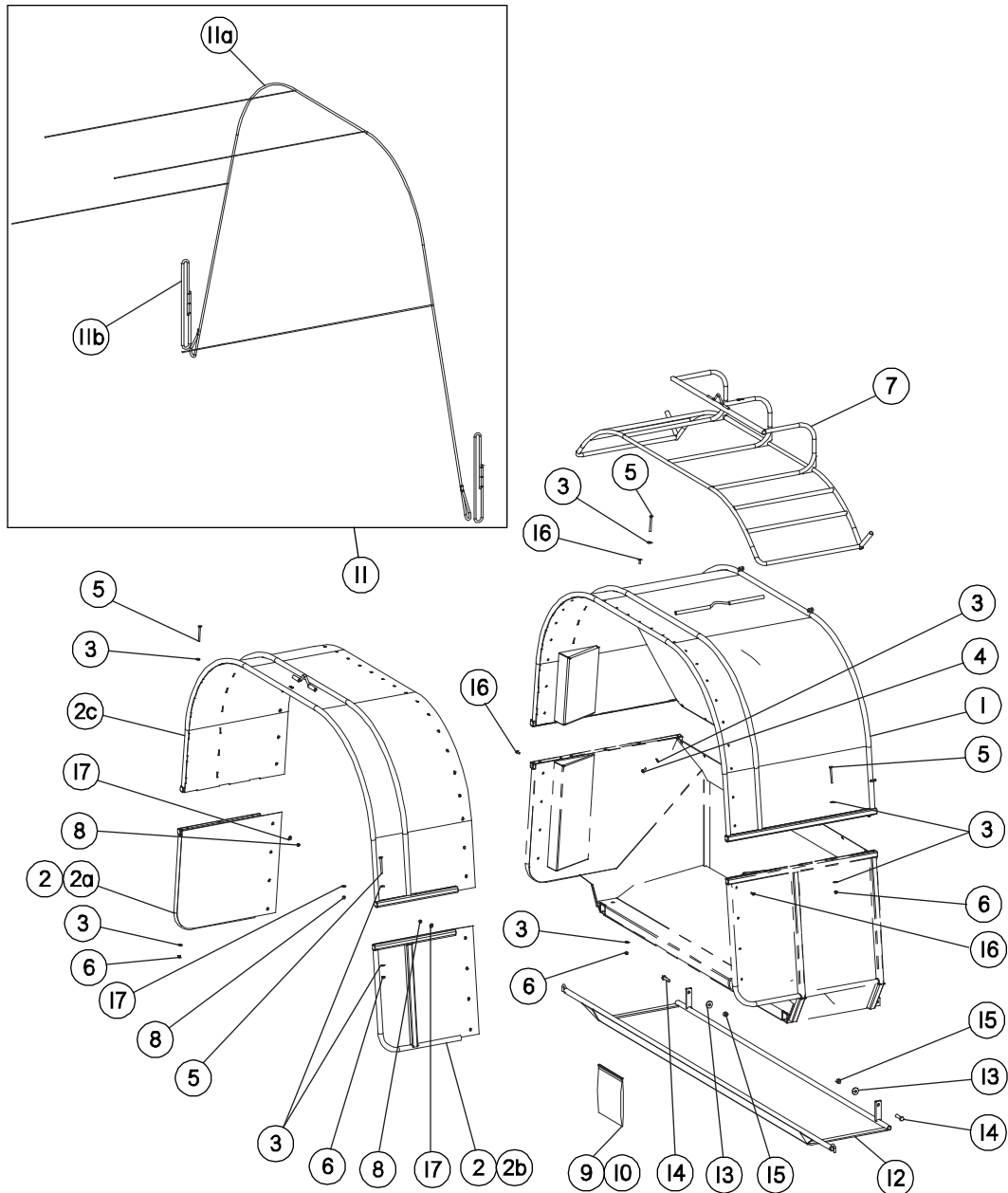
42-0900757

Sect. 1 - Frame With Rotor & Cable Drums - G6070P Parts List

Item	Part No.	Quantity	Description
1	42.0900756	1	Frame Weldment
1a	42.1000027	AR	Stripper Bar - 45" Weld In (Included In Item 1)
1b	42.1000001	AR	Stripper Bar - 35" Weld In (Included In Item 1)
2	16.0901679	1	Rotor + Four Teeth & Caps - G6070 Only (Weld Req'd)
2a	42.6002008	1	Stub Shaft Idle, 2-15/16" Weld In
2b	42.1020018	56	Tooth Assembly w/Cap
2c	42.1020001	56	Cap, Rotor Tooth, Weld On
3	42.0900371	1	Bearing, Idle, 2-15/16" 4 Bolt Footed
4	42.1510044	2	Bearing, 4 Bolt Flange
5	42.1510047	2	Bearing, Split Babbit
6	42.0900246	2	Drum, Cable, w/Brake Flange
7	42.0900447	1	Weldment, Rotor Access, Idle
8	904215	4	Bolt, Hex, 3/4-10 x 3-1/2" Gr 5
9	906349	3	Nut, Hex Lock, 3/4-10 Nylock
10	903518	8	Bolt, Hex, 1/2-13 x 1-3/4" Gr 5
11	906401	17	Nut, Hex Lock, 1/2-13 Nylock
12	903306	9	Bolt, Hex, 1/2-13 x 1-1/2" Gr 5
13	903832	4	Bolt, Hex, 5/8-11 x 2-1/2" Gr 5
14	906402	4	Nut, Hex Lock, 5/8-11 Nylock
15	42.0900415	1	Planetary, RR3500, 23.2:1 ML 120RA
16	42.0900775	1	Weldment, Rotor Access, Planetary
17	907808	12	Bolt, Hex, M14-2 x 180mm Gr 10.9
18	907809	12	Nut, Hex Lock, M14-2 CLS 10 Nylock
19	42.6003021	1	Coupling, Cable Drum

SECTION 1

Sect. 1 - Tunnel Top Interchangeable, Tunnel Extensions & Bag Cradle



42-0900266

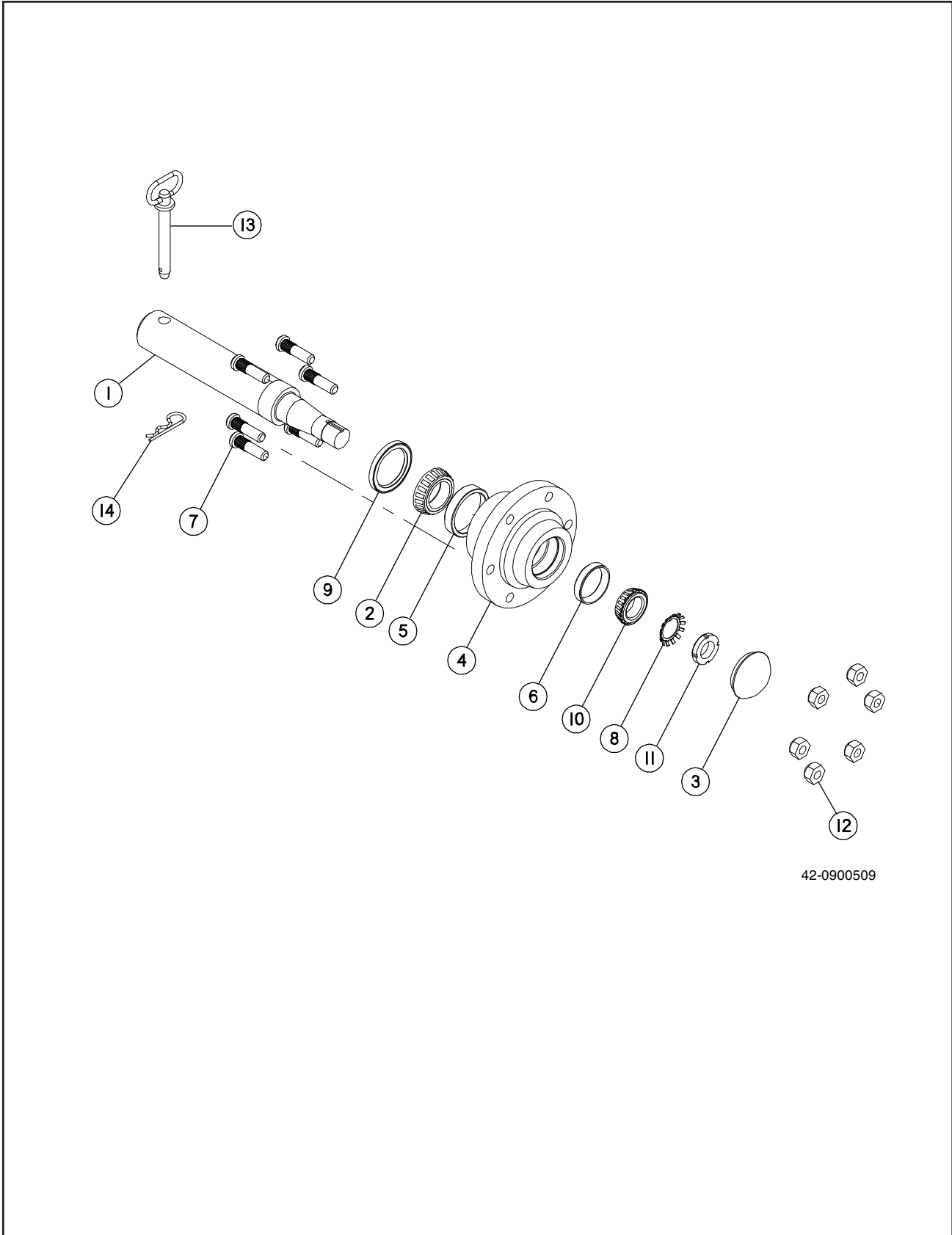
SECTION 1

This Page Intentionally Left Blank

SECTION 2
WHEELS, TIRES, SPINDLE & HUB
ASSEMBLY

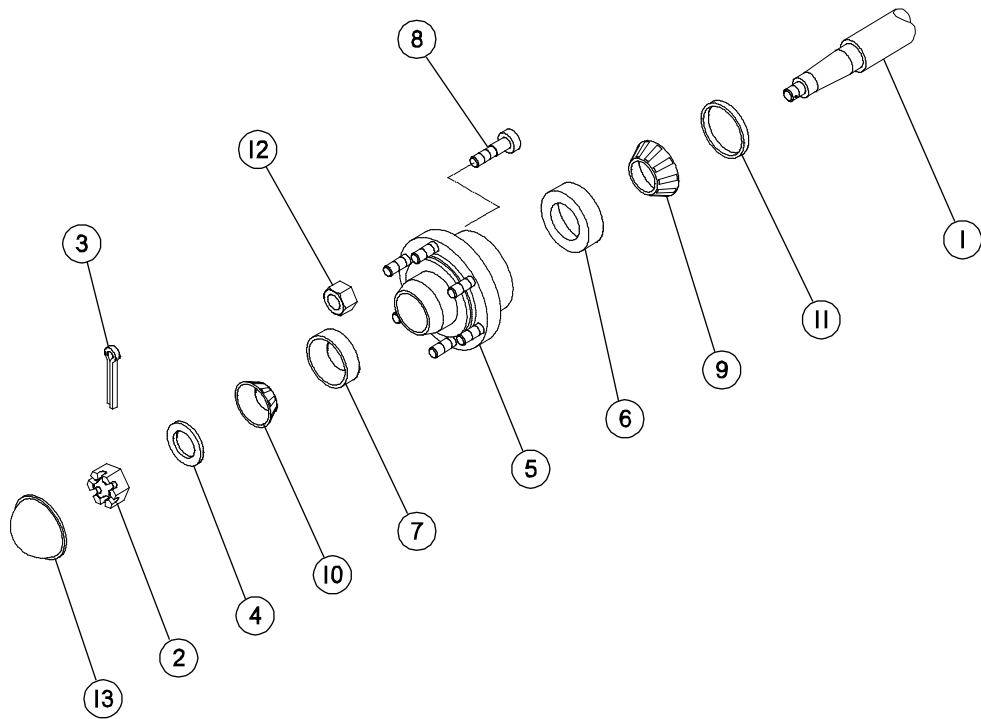
SECTION 2

Sect. 2 - Spindle & Hub Assembly - G6060, G6070 & G6070P



SECTION 2

Sect. 2 - Spindle & Hub Assembly - PB6000

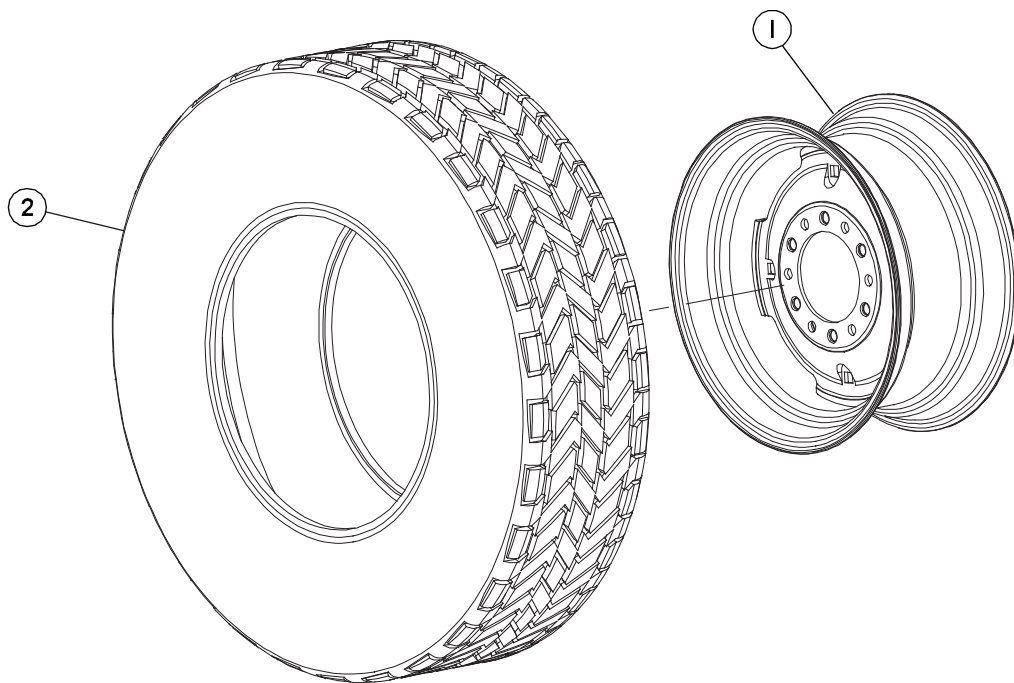


PB6000 Spindle & Hub

Sect. 2 - Spindle & Hub Assembly - PB6000 Parts List

Item	Part No.	Quantity	Description
1	42.0901142	1	Spindle, Single, 2-7/16" (Weld In) (Includes Items 2 thru 4)
2	904245	1	Nut, Hex Slotted, 7/8-14
3	907591	1	Pin, Cotter, 5/32 x 2"
4	42.1550228	1	Washer, Spindle
5	42.1500182	1	Hub Assembly With Cups & Studs (Includes Items 6 thru 8)
6	901151	1	Cup, Bearing, Inner
7	901182	1	Cup, Bearing, Outer
8	42.1550428	6	Stud, Wheel, 1/2-20 x 2-1/8"
9	901150	1	Cone, Roller Bearing, 1-5/8"
10	901181	1	Cone, Roller Bearing, 1-1/4"
11	42.1500377	1	Oil Seal
12	42.1550309	6	Lug Nut, 1/2-20
13	902410	1	Cap, Dust

Sect. 2 - Wheels & Tires



42-1501707

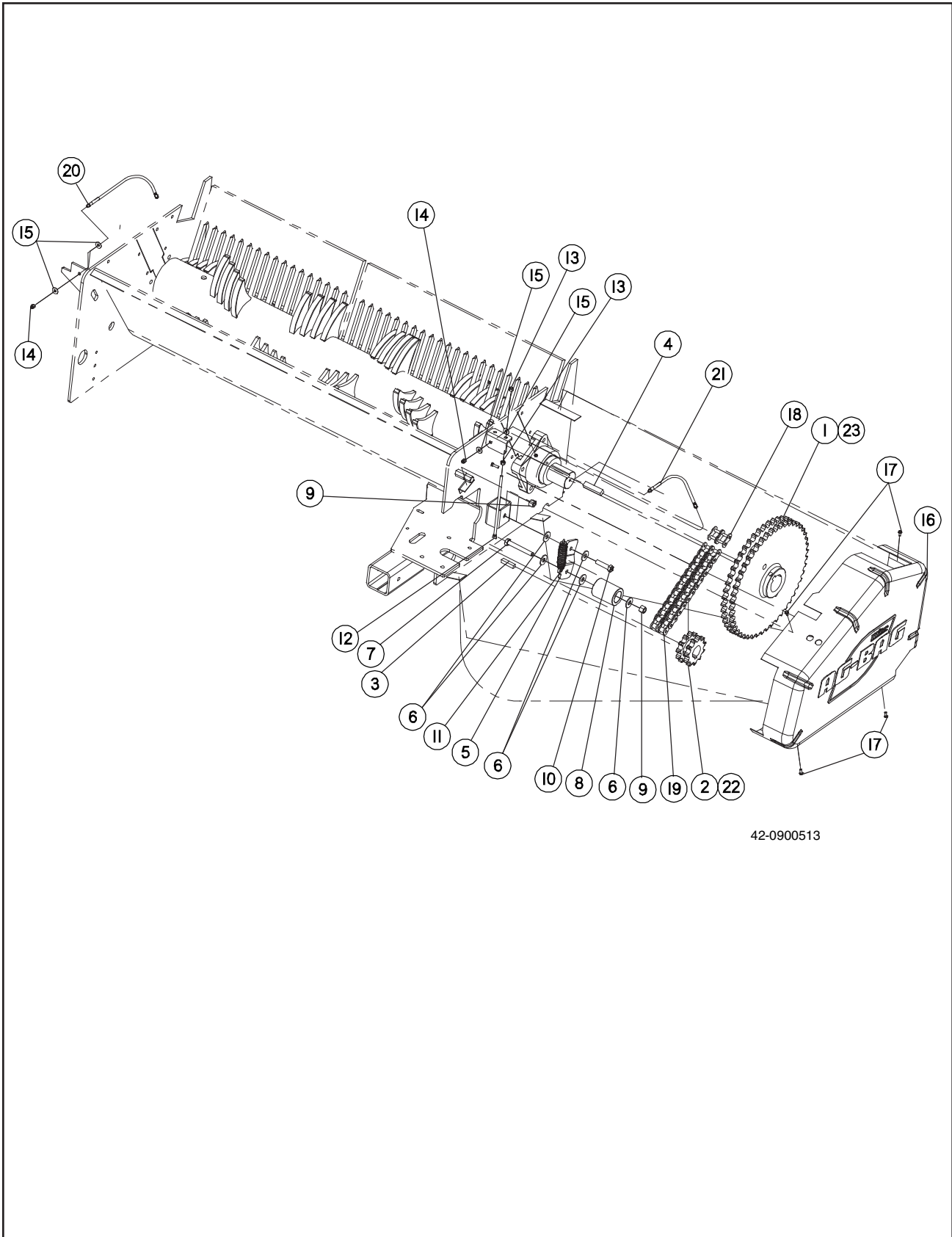
SECTION 2

This Page Intentionally Left Blank

SECTION 3
CONVEYOR, DRIVE ASSEMBLY &
HOPPER ASSEMBLY

SECTION 3

Sect. 3 - Drive Assembly - Rotor



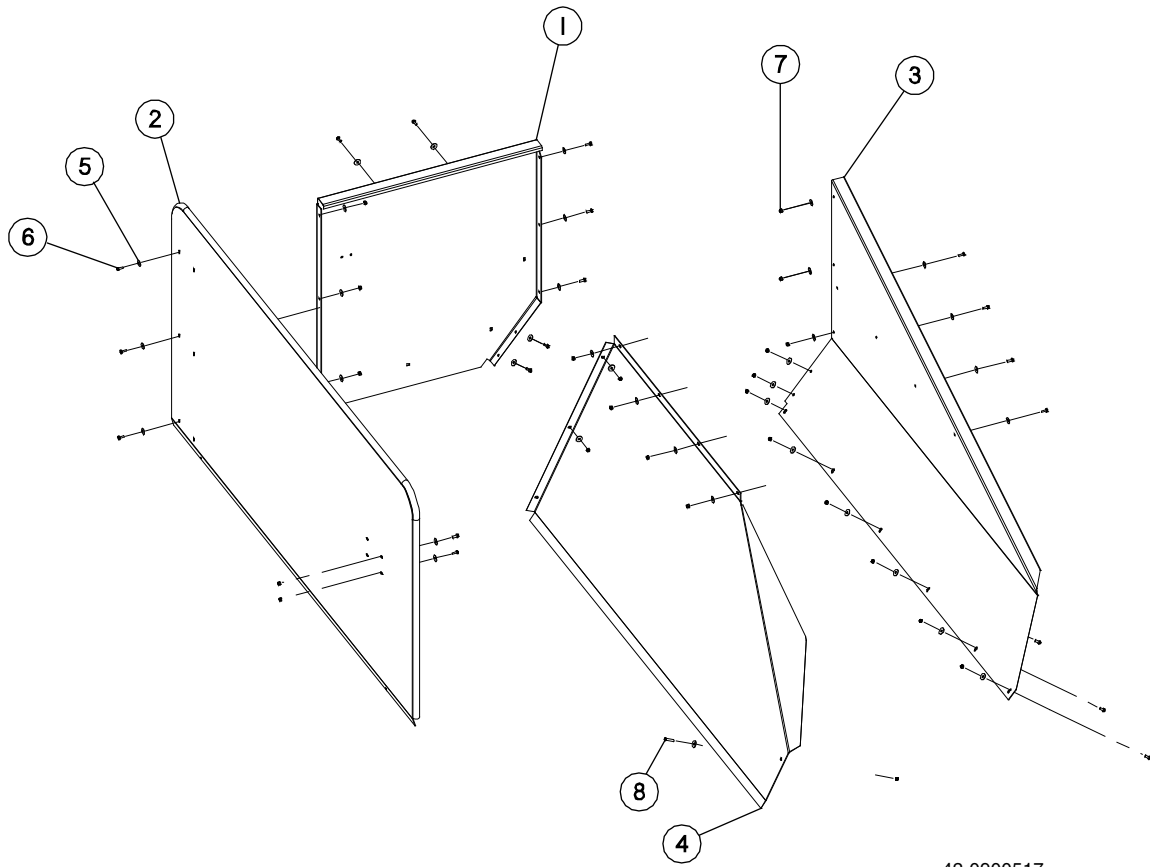
42-0900513

Sect. 3 - Drive Assembly - Rotor Parts List

Item	Part No.	Quantity	Description
1	42.0900377	1	Sprocket, 120-2B48, 3-7/16" Bore, 7/8" Key - G6070 Only
	42.0901587	1	Sprocket, 120-2B42, 3-7/16" Bore, 7/8" Key - (G6060 S/N 42.05168 & After)
	42.1520124	1	Sprocket, 120-2B42, 2-15/16" Bore, 3/4" Key - (G6060 S/N 42.05167 & Before) & PB6000 Only
2	42.1520664	1	Sprocket, 120-2A11, 2-7/16" Bore, 5/8" Keyway
3	42.6002002	1	Key, 5/8 x 5/8 x 2-3/4"
4	907688	1	Key, Sq, 7/8 x 7/8 x 4" - G6070 & (G6060 S/N 42.05168 & After)
	42.4070028	1	Key, Sq, 3/4 x 3/4 x 4" - (G6060 S/N 42.05167 & Before) & PB6000 Only
5	42.0900056	1	Bar, Adjustable Chain Tensioner
6	900499	5	Washer, Flat, 3/4"
7	906339	1	Bolt, Hex, 3/4-10 x 5-3/4"
8	42.6002007	1	Tensioner, Rotor Chain
9	906349	2	Nut, Hex Lock, 3/4-10 Nylock
10	09.71756	1	Bolt, Hex, 3/4-10 x 3" Gr 5
11	42.1500483	1	Spring, Extension
12	42.0900174	1	Rod, Chain Tensioner
13	900369	2	Nut, Hex, 1/2-13
14	905501	2	Zerk, Grease, 1/8 NPT Female
15	900496	8	Washer, Flat, 7/16"
16	42.0901519	1	Guard, Rotor Chain - G6070 Only
	42.0901518	1	Guard, Rotor Chain - G6060 & PB6000 Only
17	09.71112	4	Bolt, Hex, 5/16-18 x 3/4" Gr 5 Special
18	42.1520068	1	Link, #120-2 Connector UST
	42.1520086	AR	Link, Offset, #120-2
19	42.1520757	1	Chain, Roller, #120-2, 7.875 Ft, 63 P, UST - G6070 Only
	42.1520005	1	Chain, Roller, #120-2 59P - G6060 & PB6000 Only
20	42.1501518	1	Whip, Grease, 3/16 x 28"
21	42.1502166	1	Whip, Grease, 3/16 x 21"
22	907725	2	Setscrew, 3/4-10 x 3/4"
23	907777	2	Setscrew, 5/8-11 x 5/8"

SECTION 3

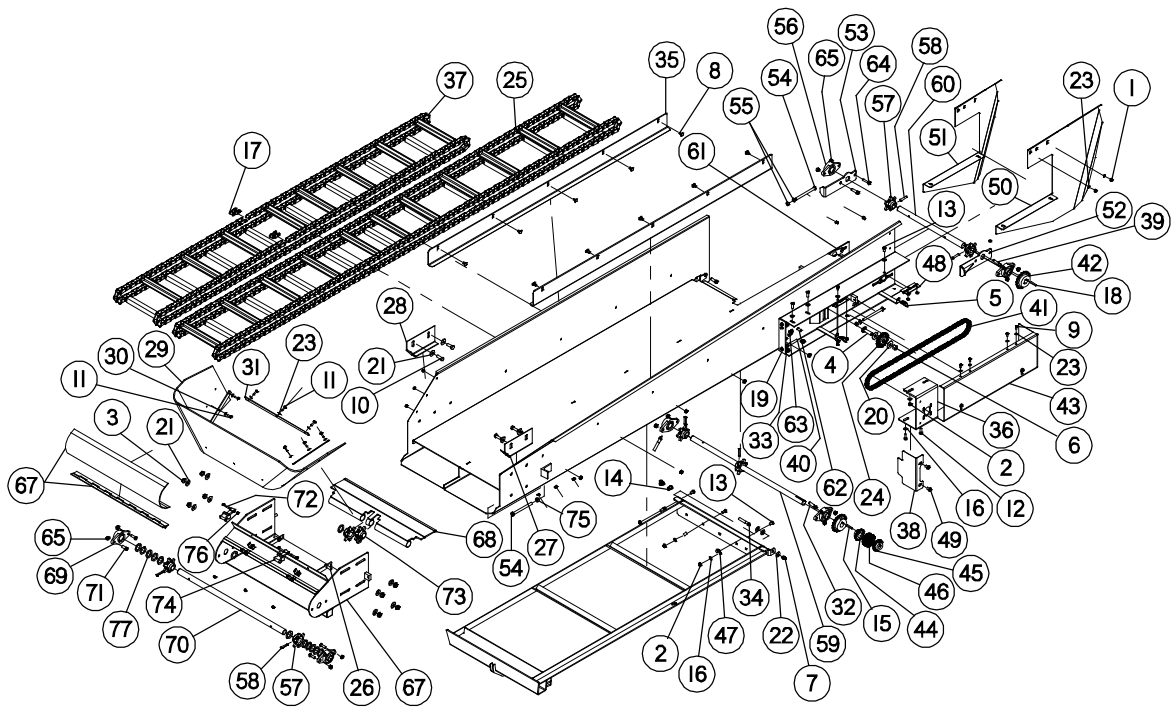
Sect. 3 - Hopper Assembly



42-0900517

SECTION 3

Sect. 3 - Split Conveyor (S/N 42.04939 & Before)



42-0900018

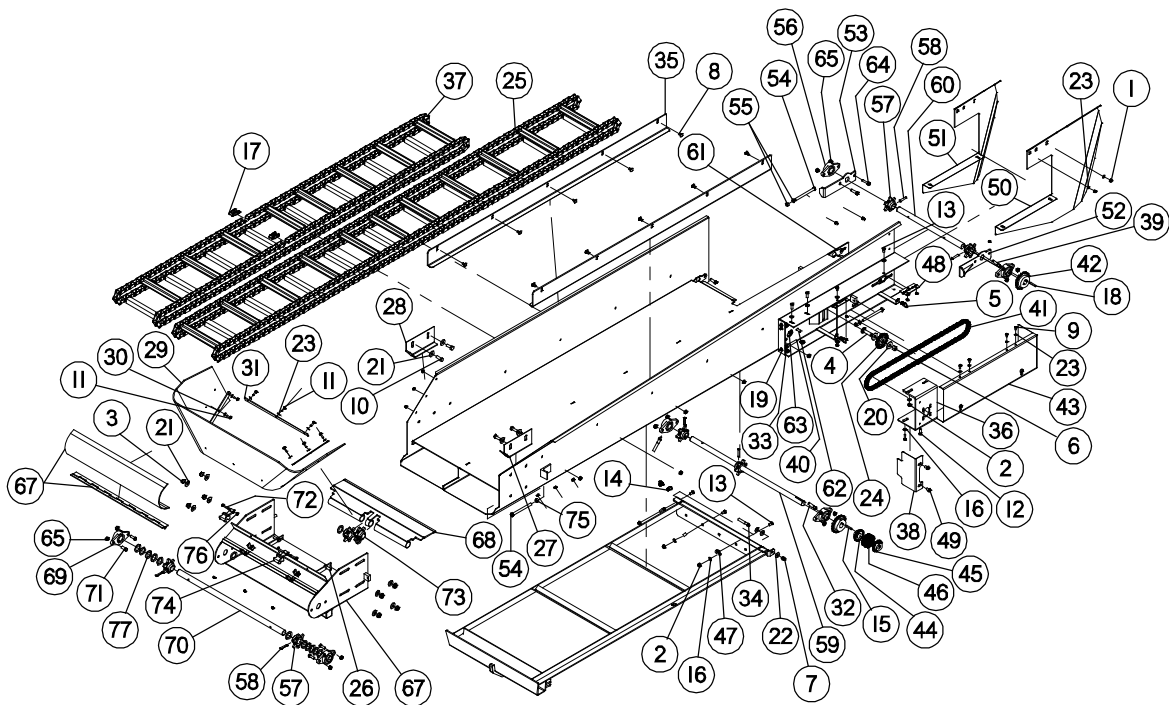
Sect. 3 - Split Conveyor (S/N 42.04939 & Before)

Parts List

Item	Part No.	Quantity	Description
1	907784	16	Nut, Hex Flange Lock, 1/4-20 Nylock Yellow Zinc
2	907779	21	Nut, Hex Flange Lock, 3/8-16 Nylock Yellow Zinc
3	907399	8	Nut, Hex Flange Lock, 1/2-13 Nylock
4	906548	1	Bolt, Carriage, Short Neck, 5/8-11 x 2-1/2" Gr 5
5	906492	2	Latch
6	906402	1	Nut, Hex Lock, 5/8-11 Nylock
7	905501	1	Grease Zerk, 1/8" NPT Female
8	905354	10	Bolt, Carriage, 3/8-16 x 3/4" Gr 5 Yellow Zinc
9	903824	7	Bolt, Hex, 1/4-20 x 5/8" Gr 5
10	903306	4	Bolt, Hex, 1/2-13 x 1-1/2" Gr 5
11	903033	9	Bolt, Hex, 1/4-20 x 1" Gr 5 Yellow Zinc
12	902367	4	Bolt, Hex, 3/8-16 x 1-1/4" Gr 5
13	902364	6	Bolt, Hex, 3/8-16 x 3/4" Gr 5
14	902300	1	Bolt, Hex, 3/8-16 x 1" Gr 5 Yellow Zinc
15	901172	1	Key, Square, 1/4" x 2"
16	901105	12	Washer, Flat, 3/8" SAE
17	900709	2	Link, #CA550 Offset
18	900549	1	Key, Square, 1/4" x 1-3/4"
19	900537	3	Fitting, grease, 1/8 PTF
20	900498	2	Washer, Flat, 5/8"
21	900497	12	Washer, Flat, 1/2"
22	900496	3	Washer, Flat, 7/16"
23	900493	15	Washer, Flat, 1/4" SAE Yellow Zinc
24	900188	1	Sprocket, Idler, 50B17, .643" Bore
25	42.6008077	1	Chain, Long w/Weld On Flight
26	42.6008104	2	Bracket, Conveyor Nose Cone
27	42.6008073	1	Guide, Conveyor Chain, Top RH
28	42.6008072	1	Guide, Conveyor Chain, Top LH
29	42.6008052	1	Skirt, Conveyor, 20" x 60"
30	42.6008021	2	Strip, Conveyor Skirting, Side
31	42.6008020	1	Strip, Conveyor Skirting, Center
32	42.1502166	2	Whip, Grease, 3/16" x 21"
33	42.1501611	3	Adaptor, #2 MP x #2 FPS
34	42.1501519	2	Hose, Grease, 3/16" x 40"
35	42.0900567	2	Hold Down, Conveyor Chain

SECTION 3

Sect. 3 - Split Conveyor (S/N
42.04939 & Before) (continued)



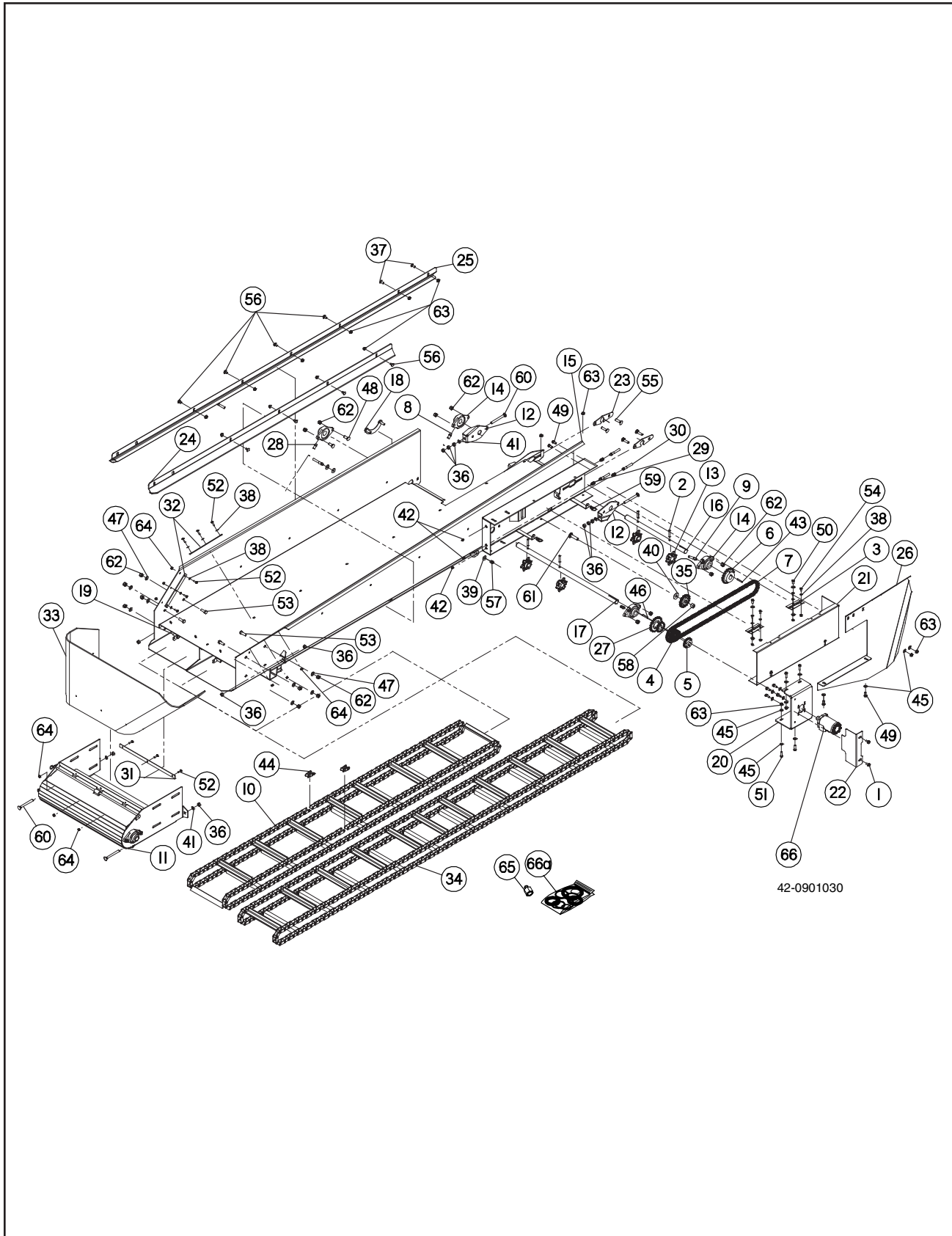
42-0900018

Sect. 3 - Split Conveyor (S/N 42.04939 & Before) Parts List (continued)

Item	Part No.	Quantity	Description
36	42.0900020	1	Mount, Hydraulic Motor
37	42.0900019	1	Apron, Short, 16 Slat
38	42.0900009	1	Shield, Motor
39	42.0900007	2	Hose, Grease, 3/16" x 32"
40	42.0900006	2	Hose, Grease, 3/16" x 47"
41	42.0900005	1	Chain, Roller, #50, 114 Pitches
42	42.0900004	2	Sprocket, 50B20, 1.25" Bore
43	42.0000101	1	Shield
44	341077B1	1	Sprocket, 40B16, 1.25" Bore
45	303629B1	1	Sprocket, 40B16, 1" Bore
46	22.00188	1	Chain, #40-2, 16 Pitches w/ Connector
47	17.00650	4	Clamp, Single, .63" ID
48	16.20144	2	Hinge, Beater Shield
49	09.71251	2	Bolt, Hex Washer Hd, 3/8-16 x 3/4" Gr 5
50	42.0901687	1	Deflector, 2 Stage Conveyor G6070 & G6070P
51	42.0901750	1	Deflector, 2 Stage Conveyor G6060
52	42.0900035	1	Adjuster, Bearing LH
53	42.0900034	1	Adjuster, Bearing RH
54	907400	4	Bolt, Hex, 1/2-13 x 6" Gr 5 Full Thread
55	901763	4	Nut, Jam 1/2-13
56	42.6008088	4	Bearing, 2 Bolt Flange 1-1/4"
57	42.1520773	6	Sprocket, N58, 6 Tooth, 1-1/4" Bore
58	09.72010	6	Pin, Roll, 3/8" x 2"
59	42-0900036	1	Shaft, 1-1/4" x 36-1/2" Drive
60	42.0900037	1	Shaft, 1-1/4" x 21" Drive
61	42.0900038	2	Plate, Bearing Mount
62	601312	4	Bolt, Hex, 7/16" x 1-1/2" Gr 5
63	42.0900583	2	Plate, Bearing Mount Welded
64	906243	4	Bolt, Hex, 7/16" x 1-3/4" Gr 5
65	900972	4	Nut, Hex Center Lock, 7/16-14
67	42.0901262	1	Conveyor Adjuster End Weldment
68	42.6008089	1	Guard, Conveyor Idle Shaft
69	42.6008088	2	Bearing, 2 Bolt Flange, 1-1/4"
70	42.0900045	1	Shaft, 1-1/4" x 34-1/2"
71	904871	4	Bolt, Hex, 7/16-14 x 1-1/4" Gr 5
72	907060	2	Bolt, Hex, 1/4-20 x 1-3/4" Gr 5
73	42.0901271	4	Sprocket, N58, 6 Tooth, Idle 1-1/4" Bore
74	904520	2	Hook, Cover (Rubber)
75	900369	2	Nut, Hex, 1/2-13
76	907389	2	Nut, Hex Lock, 1/4-20 Nylock Stainless Steel
77	09.70985	14	Washer, Flat, 1-1/4" x 1-7/8"
78	42.0901263	1	Weldment, Conveyor, Split w/ H Frame (Includes Items 52 thru 64)

SECTION 3

Sect. 3 - Split Conveyor (S/N 42.04940 & After)

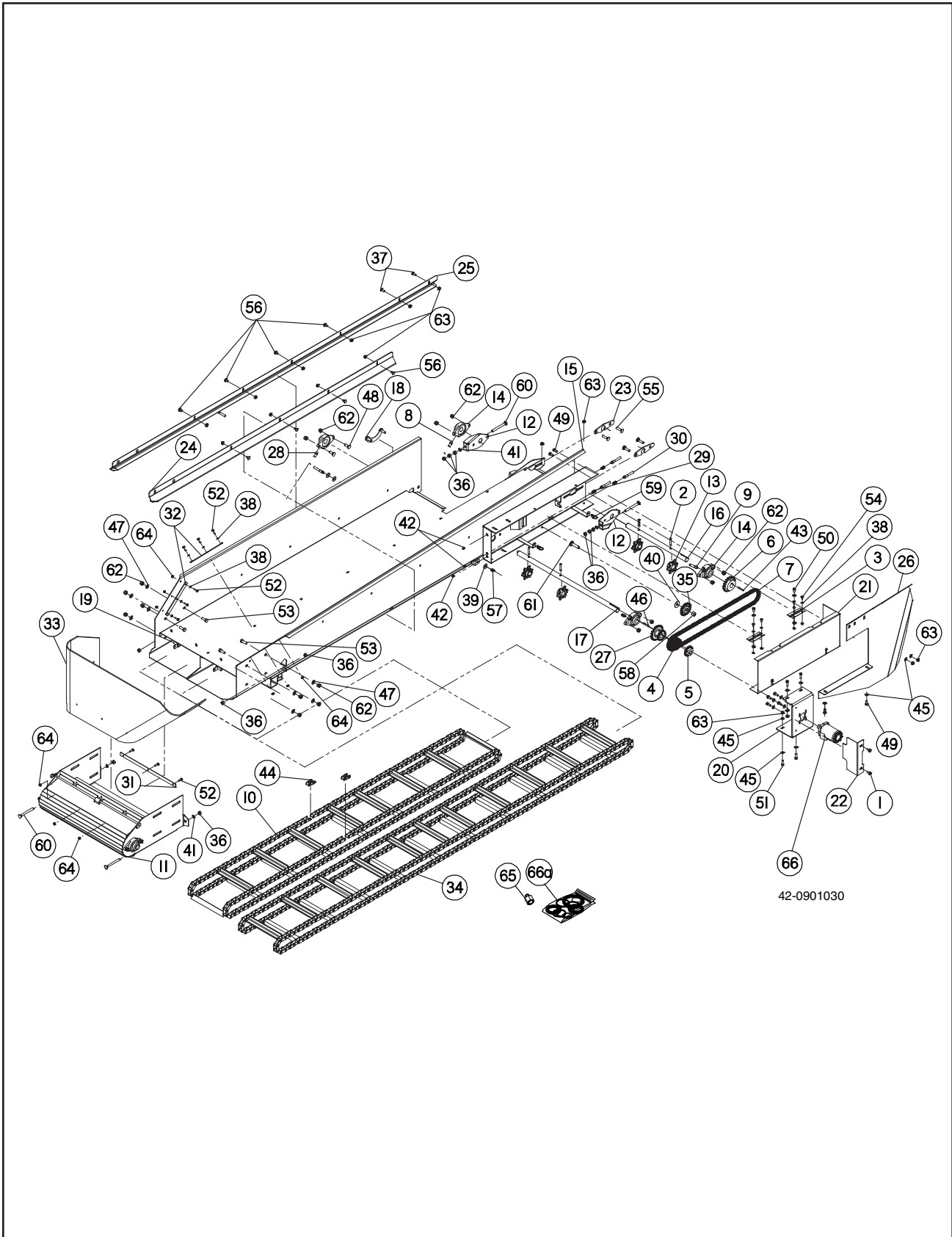


Sect. 3 - Split Conveyor (S/N 42.04940 & After) Parts List

Item	Part No.	Quantity	Description
1	09.71251	2	Bolt, Hex Washer Hd, 3/8-16 x 3/4" Gr 5
2	09.72010	4	Pin, Roll, 3/8" x 2"
3	16.20144	2	Hinge, Beater Shield
4	22.00188	1	Chain, #40-2, 16 Pitches w/ Connector
5	303629B1	1	Sprocket, 40B16, 1" Bore
6	42.0900004	2	Sprocket, 50B20, 1.25" Bore
7	42.0900005	1	Chain, Roller, #50, 114 Pitches
8	42.0900006	1	Hose, Grease, 3/16" x 47"
9	42.0900007	1	Hose, Grease, 3/16" x 32"
10	42.0900019	1	Apron, Short, 16 Slat
11	NSS	1	Conveyor Lower Assembly - Not Serviced Separately Refer to Lower Assembly Split Conveyor Page for Parts Breakdown
12	42.0901011	2	Adjuster, Chain
13	42.0901014	4	Sprocket, CA550, 6 Tooth
14	42.0901019	4	Bearing, R-Liube, 1-1/4" 2 Bolt
15	42.0901020	1	Weldment, Conveyor
16	42.0901022	1	Shaft, RH Drive
17	42.0901023	1	Shaft, 1.25", LH
18	42.0901035	1	Bracket, Bearing Bolts
19	42.0901037	2	Bracket, w/Bolts, Adjuster
20	42.0901393	1	Mount, Bracket, Drive Motor
21	42.0901394	1	Cover, Drive Chain
22	42.0901397	1	Shield, Motor
23	42.0901402	2	Plate, Bearing Mount
24	42.0901438	1	Hold Down, Conveyor Chain, Short
25	42.0901439	1	Hold Down, Conveyor Chain, Long
26	42.0901687	1	Deflector, 2 Stage Conveyors G6070 & G6070P
	42.0901750	1	Deflector, 2 Stage Conveyor G6060
27	42.0901688	1	Sprocket, DBL
28	42.1501519	1	Hose, Grease, 3/16" x 40"
29	42.1501611	3	Adaptor, #2 MP x #2 FPS
30	42.1502166	1	Whip, Grease, 3/16" x 21"
31	42.6008020	1	Strip, Conveyor skirting, Center
32	42.6008021	2	Strip, Conveyor Skirting, Side
33	42.6008052	1	Skirt, Conveyor, 20" x 60"
34	42.6008077	1	Chain, Conveyor, Long w/Weld On Flight
35	900188	1	Sprocket, Idler, 50B17, .643" Bore
36	900369	12	Nut, Hex, 1/2-13
37	900480	2	Bolt, Carriage, 3/8-16 x 1"
38	900493	13	Washer, Flat, 1/4" SAE Yellow Zinc
39	900496	3	Washer, Flat, 7/16"
40	900498	1	Washer, Flat, 5/8"

SECTION 3

Sect. 3 - Split Conveyor (S/N 42.04940 & After) (continued)



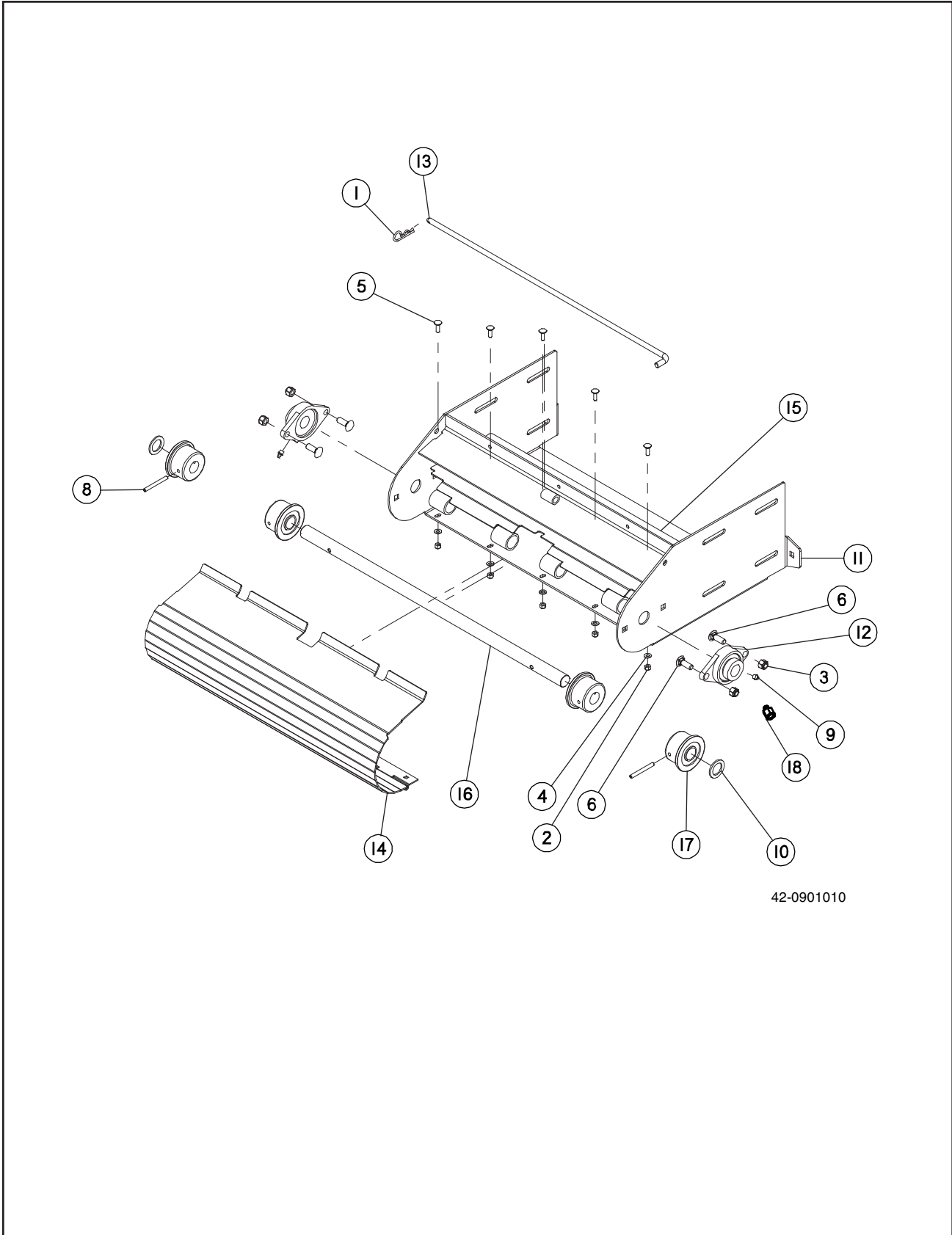
Sect. 3 - Split Conveyor (S/N 42.04940 & After)

Parts List (continued)

Item	Part No.	Quantity	Description
41	900506	4	Washer, Lock, 1/2"
42	900537	3	Fitting, Grease, 1/8 PTF
43	900549	1	Key, Square, 1/4" x 1-3/4"
44	900709	2	Link, #CA550 Offset
45	901105	18	Washer, Flat, 3/8" SAE
46	901172	1	Key, Square, 1/4" x 2"
47	901937	8	Washer, Flat, 1/2"
48	908333	4	Bolt, Carriage, 1/2-13 x 1-1/2" Gr 5 Short Neck
49	902300	8	Bolt, Hex, 3/8-16 x 1" Gr 5 Yellow Zinc
50	902364	2	Bolt, Hex, 3/8-16 x 3/4" Gr 5
51	902367	4	Bolt, Hex, 3/8-16 x 1-1/4" Gr 5
52	903033	9	Bolt, Hex, 1/4-20 x 1" Gr 5 Yellow Zinc
53	903306	4	Bolt, Hex, 1/2-13 x 1-1/2" Gr 5
54	903824	4	Bolt, Hex, 1/4-20 x 5/8" Gr 5
55	904744	4	Bolt, Carriage, 1/2-13 x 2" Gr 5
56	905354	8	Bolt, Carriage, 3/8-16 x 3/4" Gr 5 Yellow Zinc
57	905501	1	Grease Zerk, 1/8 NPT Female
58	906402	1	Nut, Hex Lock, 5/8-11 Nylock
59	906492	2	Latch
60	906537	4	Bolt, Carriage, 1/2-13 x 5" Gr 5
61	906548	1	Bolt, Carriage, Short Neck, 5/8-11 x 2-1/2" Gr 5
62	907392	16	Nut, Hex Lock, 1/2-13 Nylock Stainless Steel
63	907779	20	Nut, Hex Flange Lock, 3/8-16 Nylock Yellow Zinc
64	907784	13	Nut, Hex Flange Lock, 1/4-20 Nylock Yellow Zinc
65	42.1541519	AR	Adapter (For Bearing With 1/4-28 Thread)
66	42.1541780	1	Motor, Hydraulic, Conveyor
66a	16.21179	AR	Seal Kit

SECTION 3

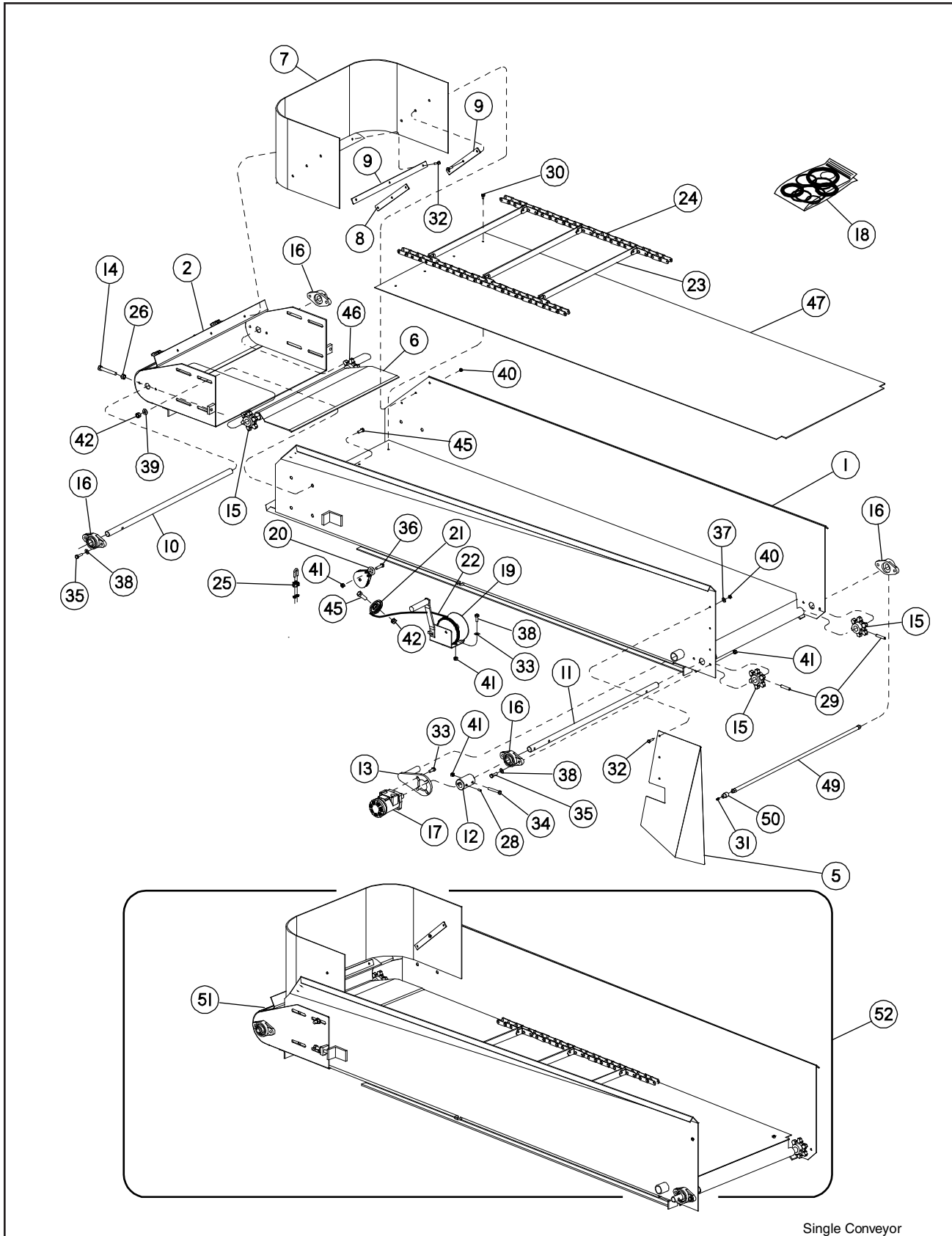
Sect. 3 - Lower Assembly - Split Conveyor (S/N 42.04940 & After)



42-0901010

SECTION 3

Sect. 3 - Single Conveyor



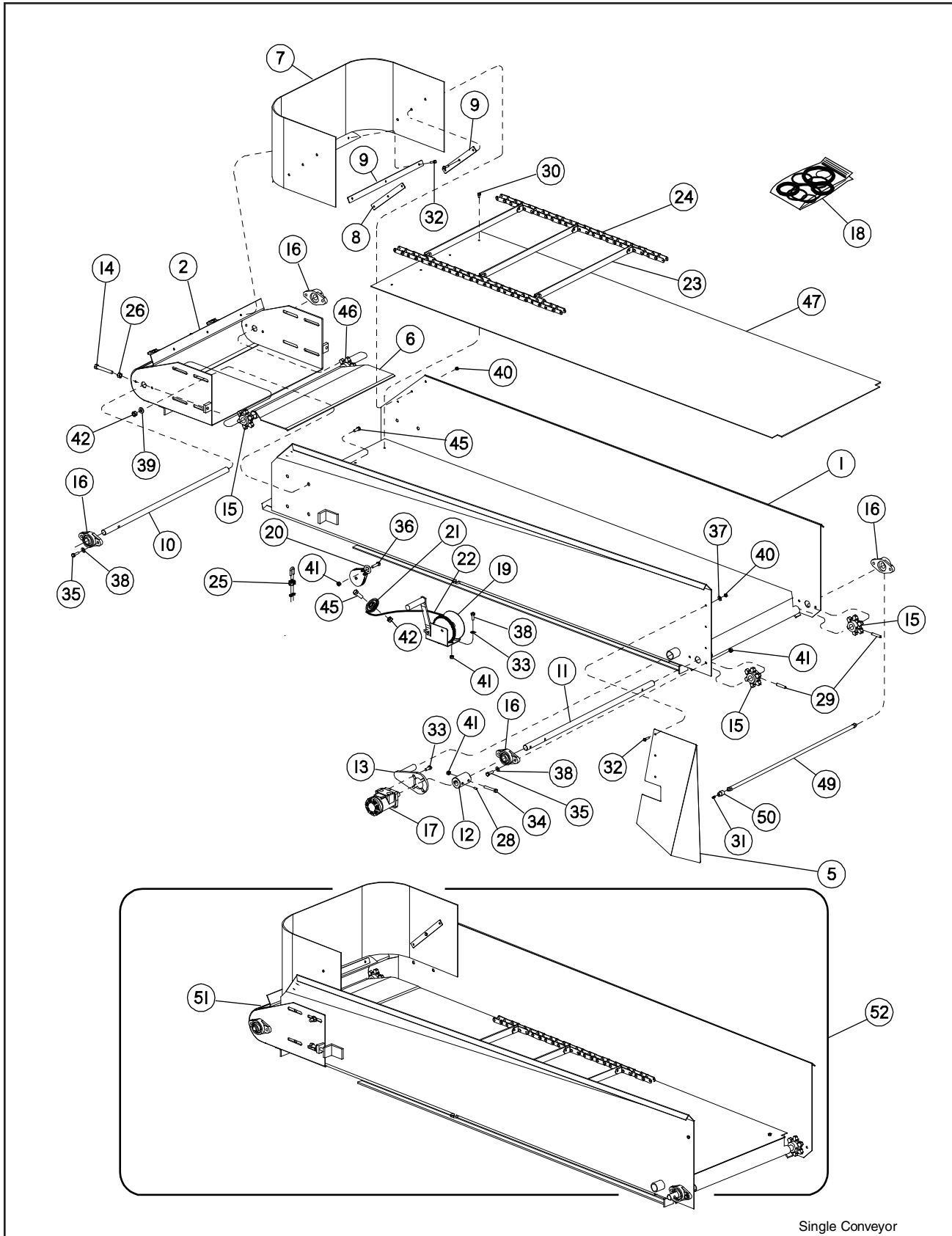
Single Conveyor

Sect. 3 - Single Conveyor Parts List

Item	Part No.	Quantity	Description
1	42.6008001	1	Conveyor, Frame (G6060 & PB6000 Only)
2	42.6008024	1	Conveyor End, Adjusting (G6060 & PB6000 Only)
	904520	2	Rubber Latch, 3" (G6060 & PB6000 Only)
	42.1501318	2	Rubber Latch, 5" (G6060 & PB6000 Only)
5	42.6008013	1	Plate, Conveyor End Deflector (G6060 & PB6000 Only)
6	42.6008027	1	Guard, Conveyor Tail Shaft (G6060 & PB6000 Only)
7	42.6008052	1	Skirt, Conveyor (G6060 & PB6000 Only)
8	42.6008020	1	Strip, Conveyor Skirting Center (G6060 & PB6000 Only)
9	42.6008021	2	Bracket, Skirting - Small (G6060 & PB6000 Only)
10	42.6008093	1	Shaft, Conveyor Idle (G6060 & PB6000 Only)
11	42.6008092	1	Shaft, Conveyor Drive (G6060 & PB6000 Only)
12	42.6008004	1	Coupler, Conveyor Motor (G6060 & PB6000 Only)
13	42.6008011	1	Mount, Hydraulic Motor (G6060 & PB6000 Only)
14	904674	2	Capscrew, Hex Hd. 1/2-13 x 6"
15	42.1520773	3	Sprocket, Drive (G6060 & PB6000 Only)
16	42.6008088	4	Bearing, 2 Bolt Flange (G6060 & PB6000 Only)
	42.1510020	AR	Bearing, 1" - 2 Bolt Flange
17	42.1540898	1	Motor, Hydraulic, 101-1019-009, 5.9 cu. in. (PB6000 Only)
	42.1541780	1	Motor, Hydraulic, 101-1751-009, 7.3 cu. in. (G6060 & G6070 Only)
18	16.21179	1	Seal Kit, H-Series (For Item 17)
19	42.0900397	1	Winch, Manual (G6060 & PB6000 Only)
20	42.1501314	1	Pulley, Swivel (G6060 & PB6000 Only)
21	42.1501279	1	Pulley (G6060 & PB6000 Only)
22	42.0900554	1	Cable, 1/4" x 17 Ft. (G6060 & PB6000 Only)
23	42.6008018	17	Slat, Conveyor Chain (G6060 & PB6000 Only)
24	42.1520318	1	Chain, Conveyor Complete (G6060 & PB6000 Only)
	900703	AR	Link, CA550 Connector
	900709	AR	Link, CA550 Offset
25	42.1590024	2	Clamp, Cable (G6060 & PB6000 Only)
26	900369	2	Nut, Hex, 1/2-13
28	900444	1	Setscrew, Hex Socket, 3/8-16 x 3/8" (G6060 & PB6000 Only)
29	09.72010	2	Pin, Roll, 3/8" x 2" (G6060 & PB6000 Only)
30	902364	4	Capscrew, Hex Hd. 5/16-18 x 3/4" Gr 5
31	900537	2	Fitting, Grease (G6060 & PB6000 Only)
32	903033	12	Capscrew, Hex Hd. 1/4-20 x 1" Gr 5
33	902300	4	Capscrew, Hex Hd. 3/8-16 x 1" Gr 5
34	902884	1	Capscrew, Hex Hd. 3/8-16 x 2-1/2" Gr 5
35	902367	8	Capscrew, Hex Hd. 3/8-16 x 1-1/4" Gr 5
36	903848	1	Capscrew, Hex Hd. 3/8-16 x 1-1/2" Gr 5
37	900493	12	Washer, Flat, 1/4"
38	900495	8	Washer, Flat, 3/8"
39	901937	8	Washer, Flat, 1/2"
40	904092	12	Nut, Hex Lock, 1/4-20
41	906400	11	Nut, Hex Lock, 3/8-16
42	906401	9	Nut, Hex Lock, 1/2-13

SECTION 3

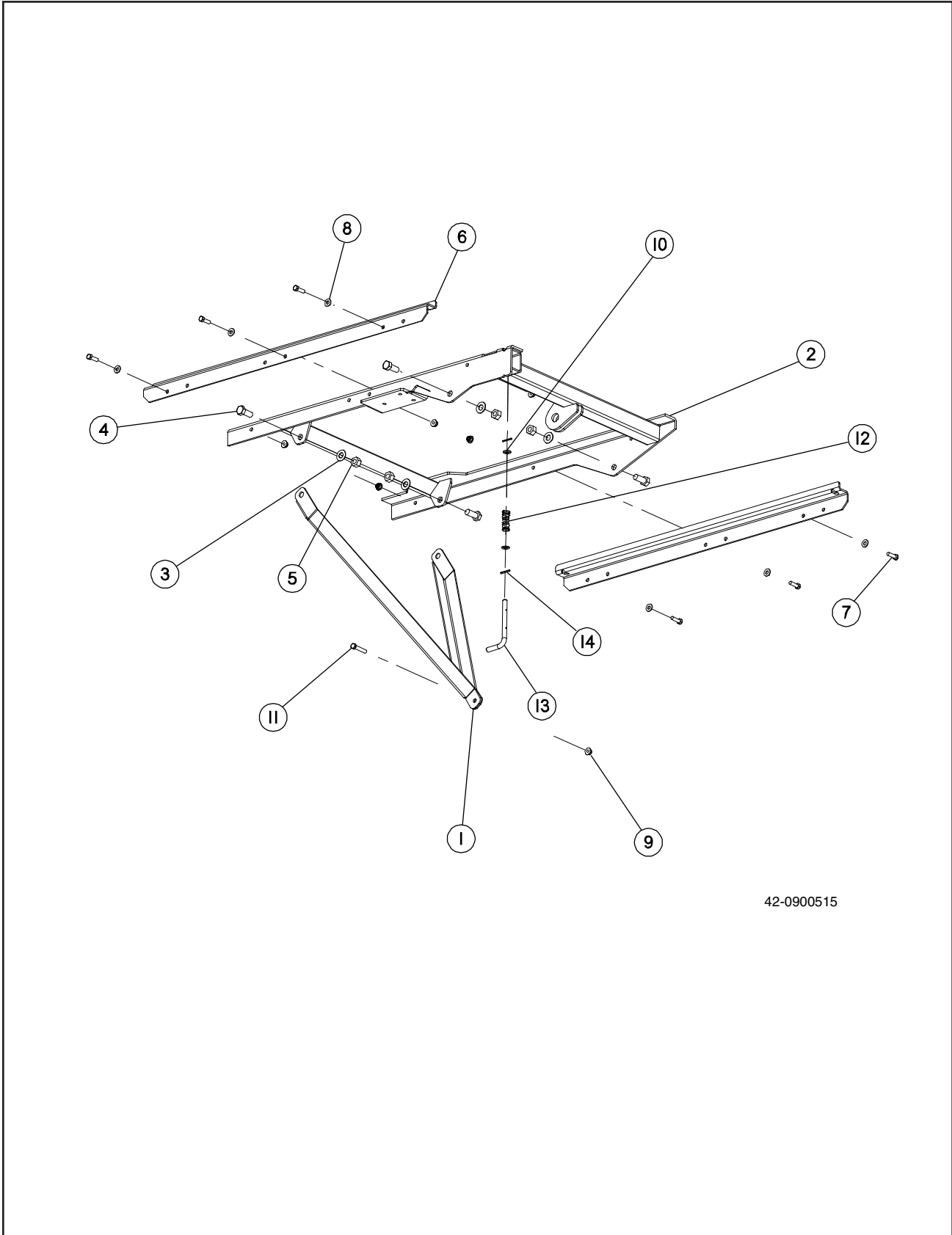
Sect. 3 - Single Conveyor (continued)



Single Conveyor

SECTION 3

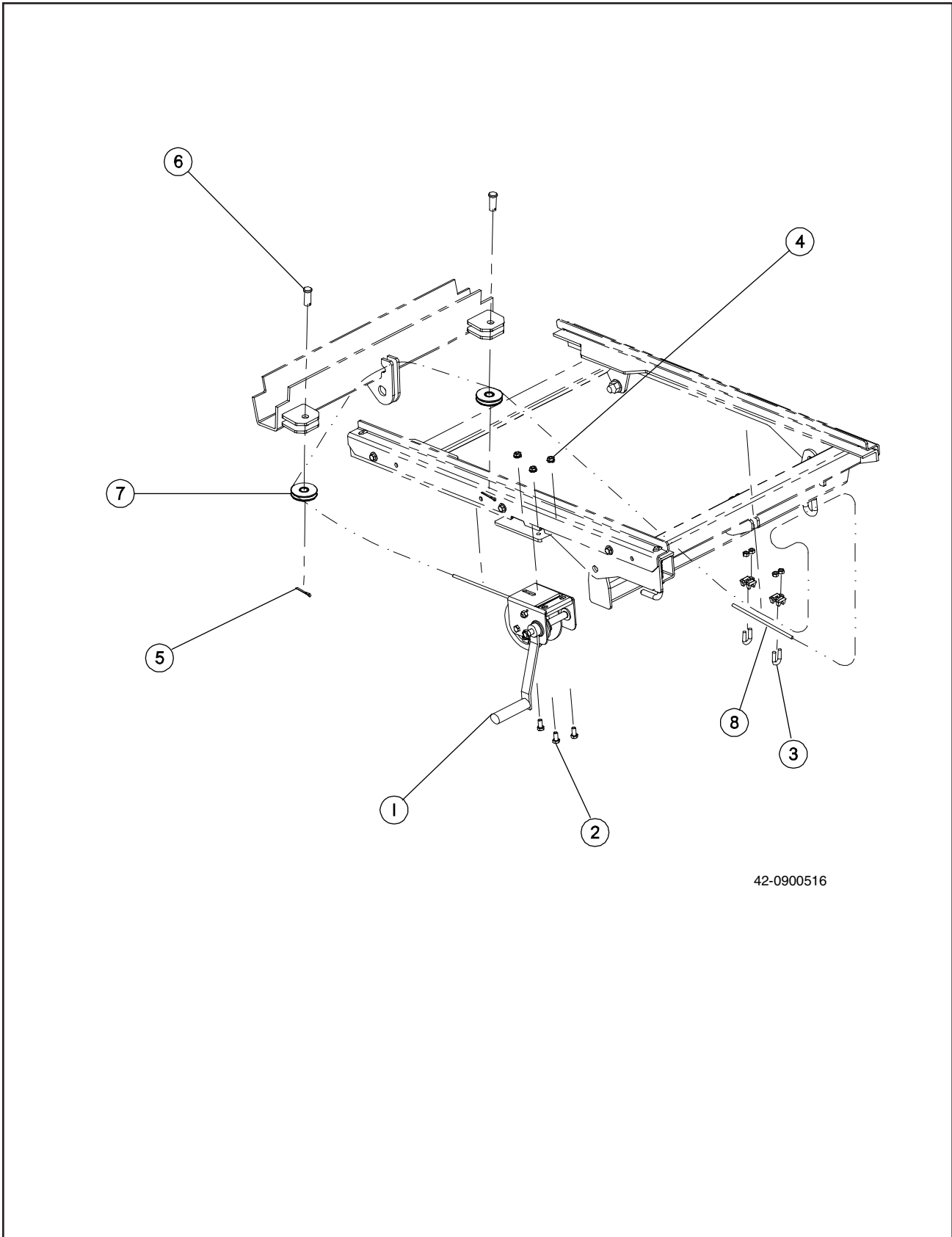
Sect. 3 - Conveyor Support/Slide Assembly Split & Single Conveyor



42-0900515

SECTION 3

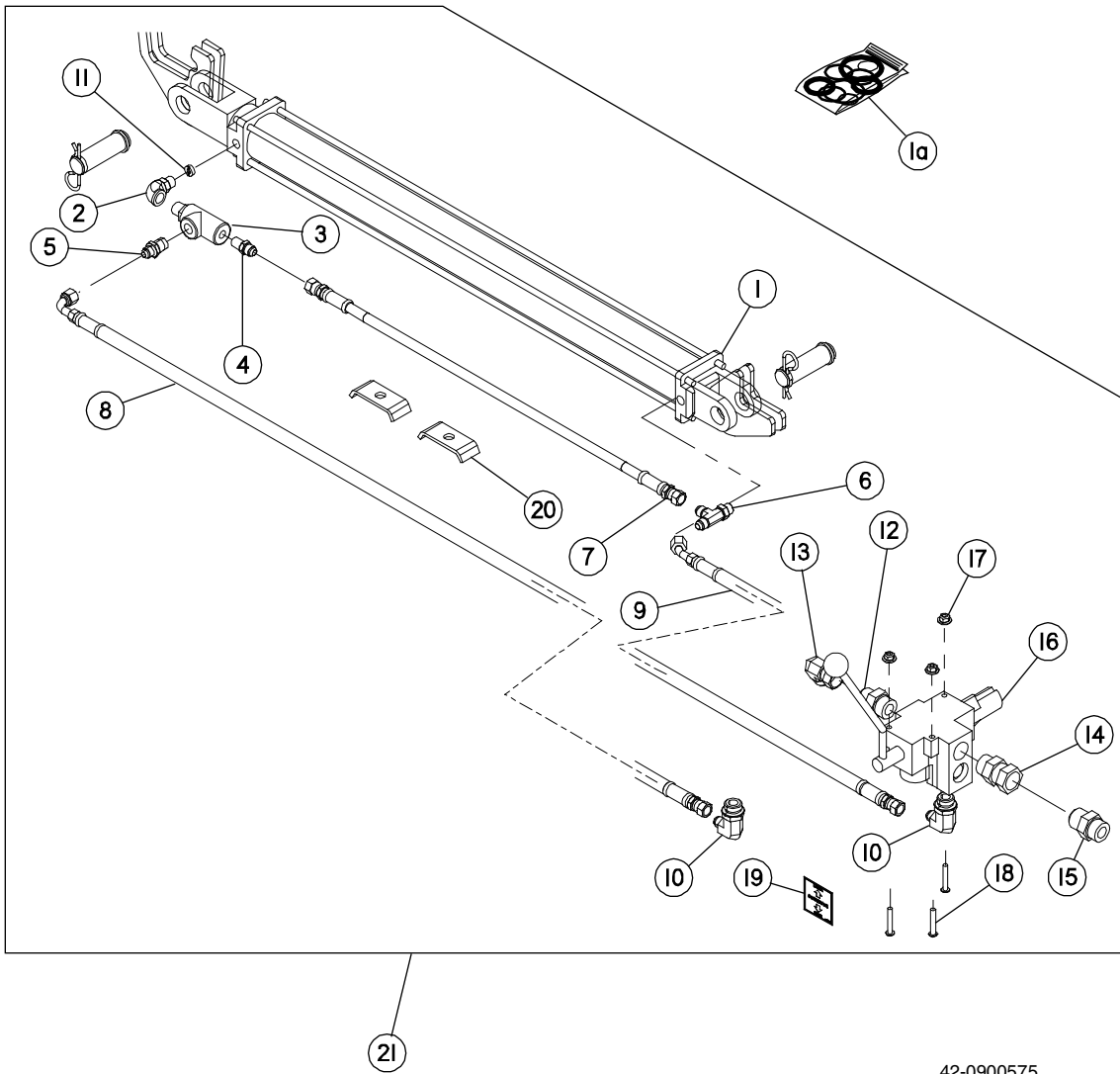
Sect. 3 - Conveyor Lift Assembly - Manual



42-0900516

SECTION 3

Sect. 3 - Hydraulic Conveyor Lift Kit - G6060, G6070 & G6070P



42-0900575

Sect. 3 - Hydraulic Conveyor Lift Kit - G6060, G6070 & G6070P Parts List

Item	Part No.	Quantity	Description
1	42.0900468	1	Cylinder, Hydraulic, 2" x 28" x 1-1/8"
1a	65.10083	1	Seal Kit, Hydraulic Cylinder
2	907232	1	Elbow, 90° #6 ORB x #6 NPT
3	17.00863	1	Valve, Check
4	07.17861	1	Connector, Male, 3/8" JIC x 1/4" NPT
5	07.17843	1	Connector, Male, JIC - NPT, 3/8" x 3/8"
6	32.60704	1	Tee, 06 ORB Run x MJIC
7	42.0900569	1	Hose, Hydraulic, 1/4" x 26.5" 6 x 6 FJIC
8	42.0900570	1	Hose, Hydraulic, 3/8" x 72" 6 FJIC 90° x 6 FJIC
9	42.0900571	1	Hose, Hydraulic, 3/8" x 42" 6 FJIC 45° x 6 FJIC
10	907775	2	Elbow, 90° 10 ORB x 6 MJIC
11	21.00516	1	Orifice, -6 Two Way, .049" Dia.
12	42.1540551	1	Adapter, 12 ORB x 7/8" MJIC
13	32.61133	1	Elbow, 90° 10 MJIC x FJIC
14	32.01956	1	Adapter, 12 ORB x 3/4" JIC Swivel
15	09.74127	1	Adapter, 12 ORB x 3/4" MJIC
16	42.0900558	1	Valve, Conveyor Lift w/Handle
17	903376	3	Nut, Hex Whiz Lock, 1/4-20
18	907614	3	Bolt, Button Hd, 1/4-20 x 1-1/2" Stainless Steel
19	42.0900013	1	Decal, Conveyor Raise/Lower
20	322848B1	2	Clip, Hydraulic Line
21	42.0900575	1	Kit, Hydraulic Conveyor Lift (Consists Of Items 1 & 2 thru 20)

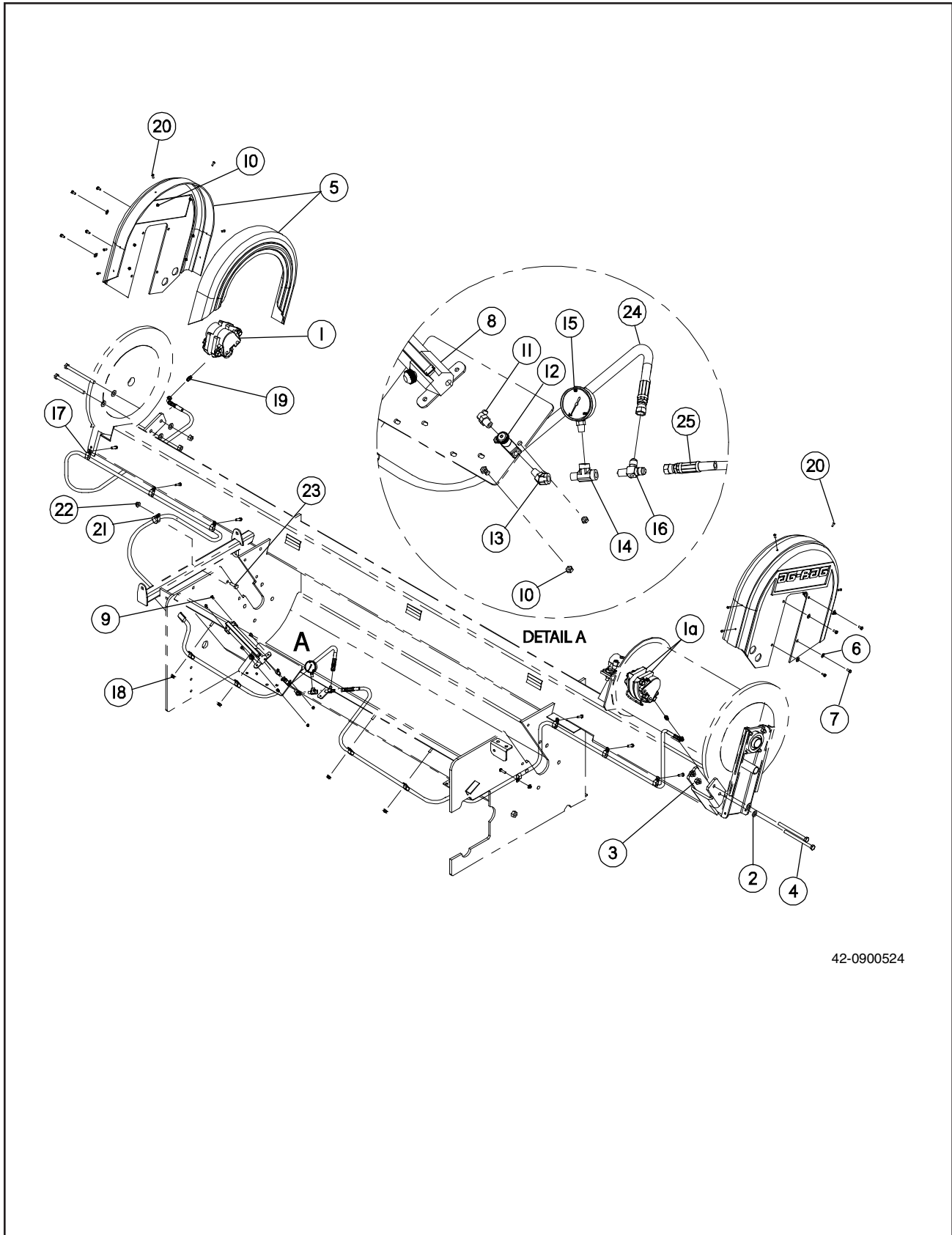
SECTION 3

This Page Intentionally Left Blank

SECTION 4
Brake Assembly, Cable Guide As-
sembly & Bag Boom

SECTION 4

Sect. 4 - Brake Assembly - G6060, G6070 & G6070P



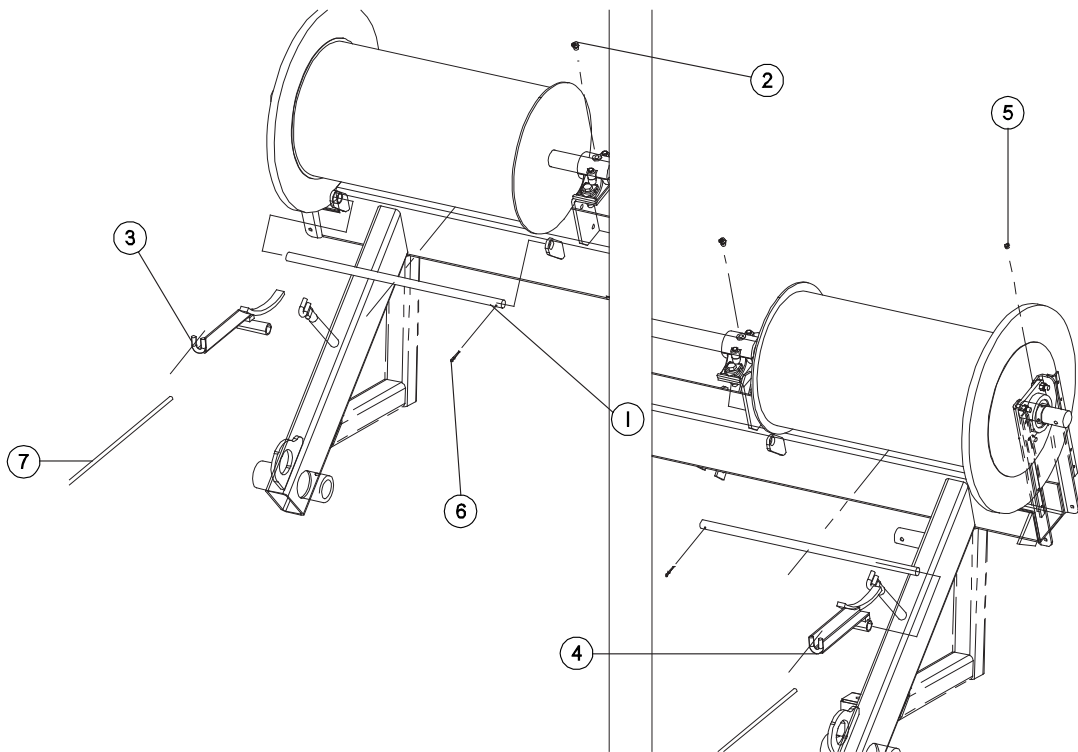
42-0900524

Sect. 4 - Brake Assembly - G6060, G6070 & G6070P Parts List

Item	Part No.	Quantity	Description
1	42.1501348	2	Brake, Mico - G6070 & G6070P Only
	42.1501348	1	Brake, Mico - G6060 Only
1a	42.1500294	1 Set	Brake Pad
	42.1500199	1	Brake Kit, Repair MICO
2	904763	8	Washer, Flat, 5/8" SAE
3	906402	4	Nut, Hex Lock, 5/8-11 Nylock
4	906392	4	Bolt, Hex, 5/8-11 x 8" Gr 5
5	42.0901520	2	Cover, Cable Drum
6	900494	8	Washer, Flat, 5/16"
7	09.71112	8	Bolt, Hex, 5/16-18 x 3/4" Gr 5 Special
8	42.0900040	1	Pump, Hand, 17 CI, 2000 psi
9	907270	4	Bolt, Hex, 1/4-20 x 3/4" Stainless Steel
10	907389	16	Nut, Hex Lock, 1/4-20 Nylock Stainless Steel
11	42.1542021	1	Adaptor, #6 MO x #4 MP
12	42.1541121	1	Valve, Needle
13	42.1540448	1	Elbow, 45° Street, #4 MP x #4 FP
14	907146	1	Tee, 1/4 NPT Male Run
15	42.1500142	1	Gauge, Liquid Fill, 2000 psi
16	32.60011	1	Tee, 1-4 MPT x 06 MJIC Run - G6070 & G6070P Only
17	05.73375	11	Clamp, Hose, .625 ID Double - G6070 & G6070P Only
	05.73375	6	Clamp, Hose, .625 ID Double - G6060 Only
18	907779	11	Nut, Hex Flange Lock, 3/8-16 Yellow Zinc - G6070 & G6070P Only
	907779	6	Nut, Hex Flange Lock, 3/8-16 Yellow Zinc - G6060 Only
19	907695	2	Union, 04 ORB - 06 MJIC - G6070 & G6070P Only
	907695	1	Union, 04 ORB - 06 MJIC - G6060 Only
20	907613	12	Bolt, Button Head, 1/4-20 x 3/4" Stainless Steel
21	21.30727	1	Clamp, 1-1/2" Vinyl - G6070 & G6070P Only
22	907399	1	Nut, Hex Nylon Flange Lock, 1/2-13 - G6070 & G6070P Only
23	903306	1	Bolt, Hex, 1/2-13 x 1-1/2" Gr 5 - G6070 & G6070P Only
24	42.0900540	1	Hose, Brake, 3/8 x 139" - G6070 & G6070P Only
25	42.0900539	1	Hose, Brake, 3/8 x 122"

SECTION 4

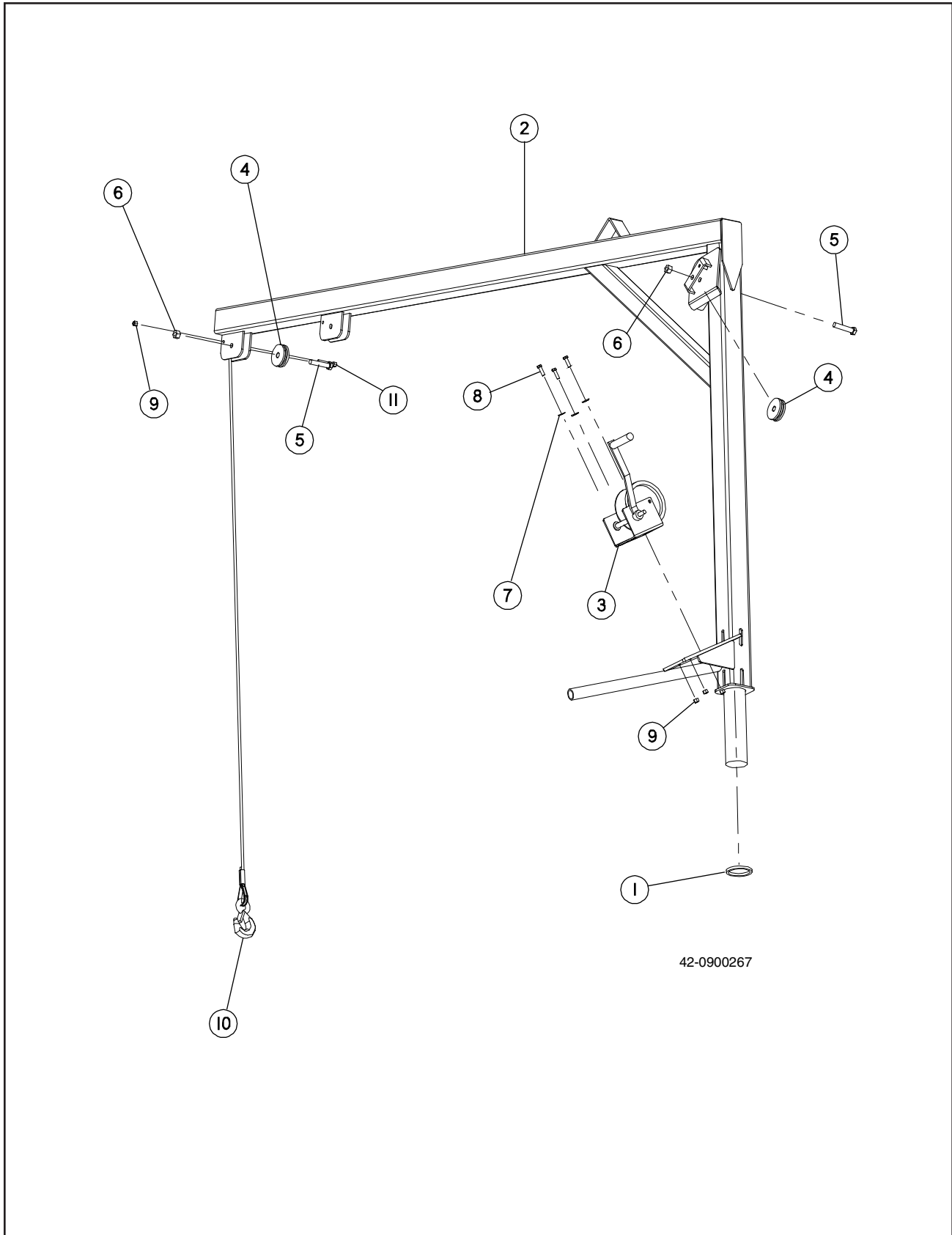
Sect. 4 - Cable/Guide Assembly



42-0900522

SECTION 4

Sect. 4 - Bag Boom - PB6000, G6060, G6070 & G6070P



42-0900267

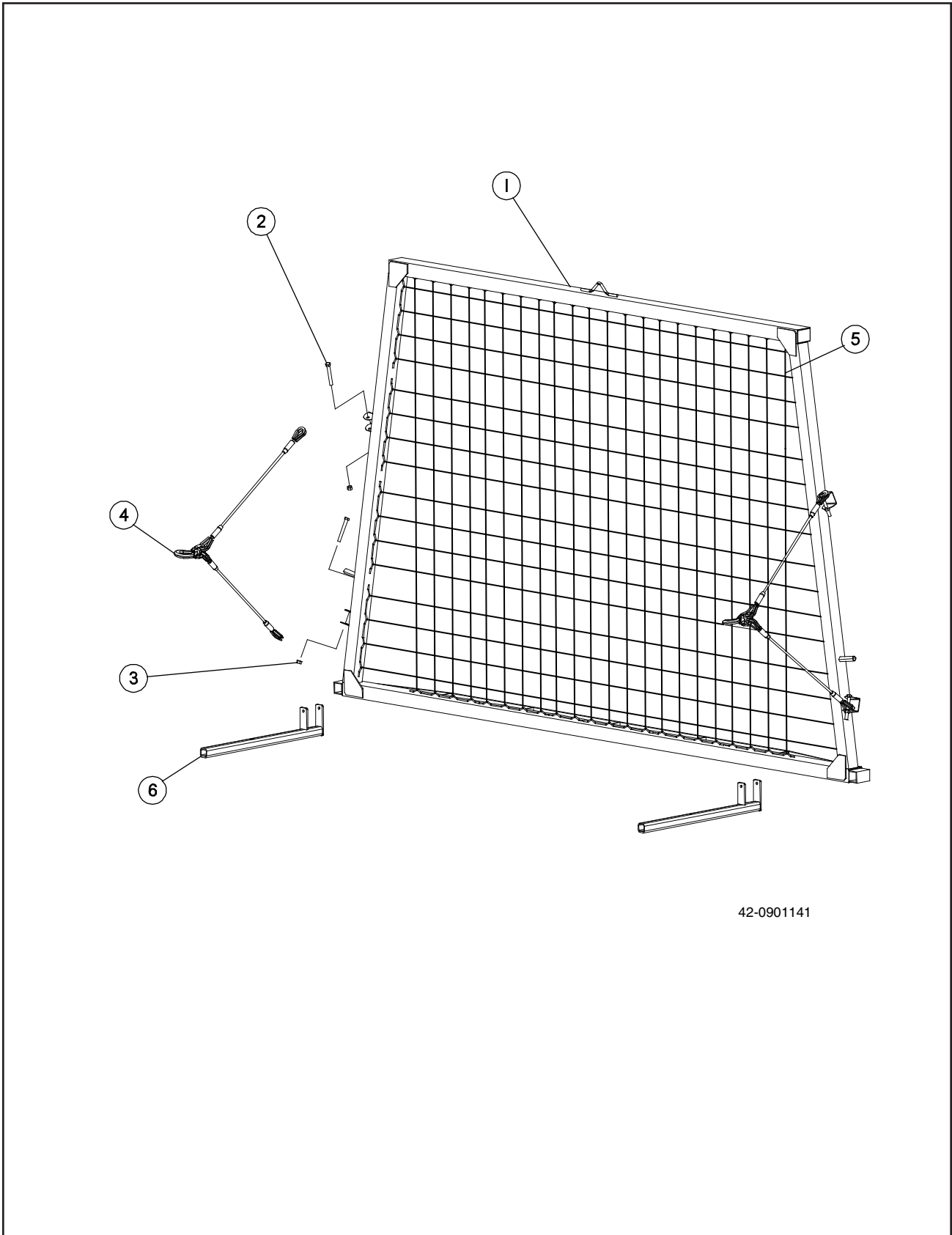
SECTION 4

This Page Intentionally Left Blank

SECTION 5
BACKSTOP & JACKSTAND

SECTION 5

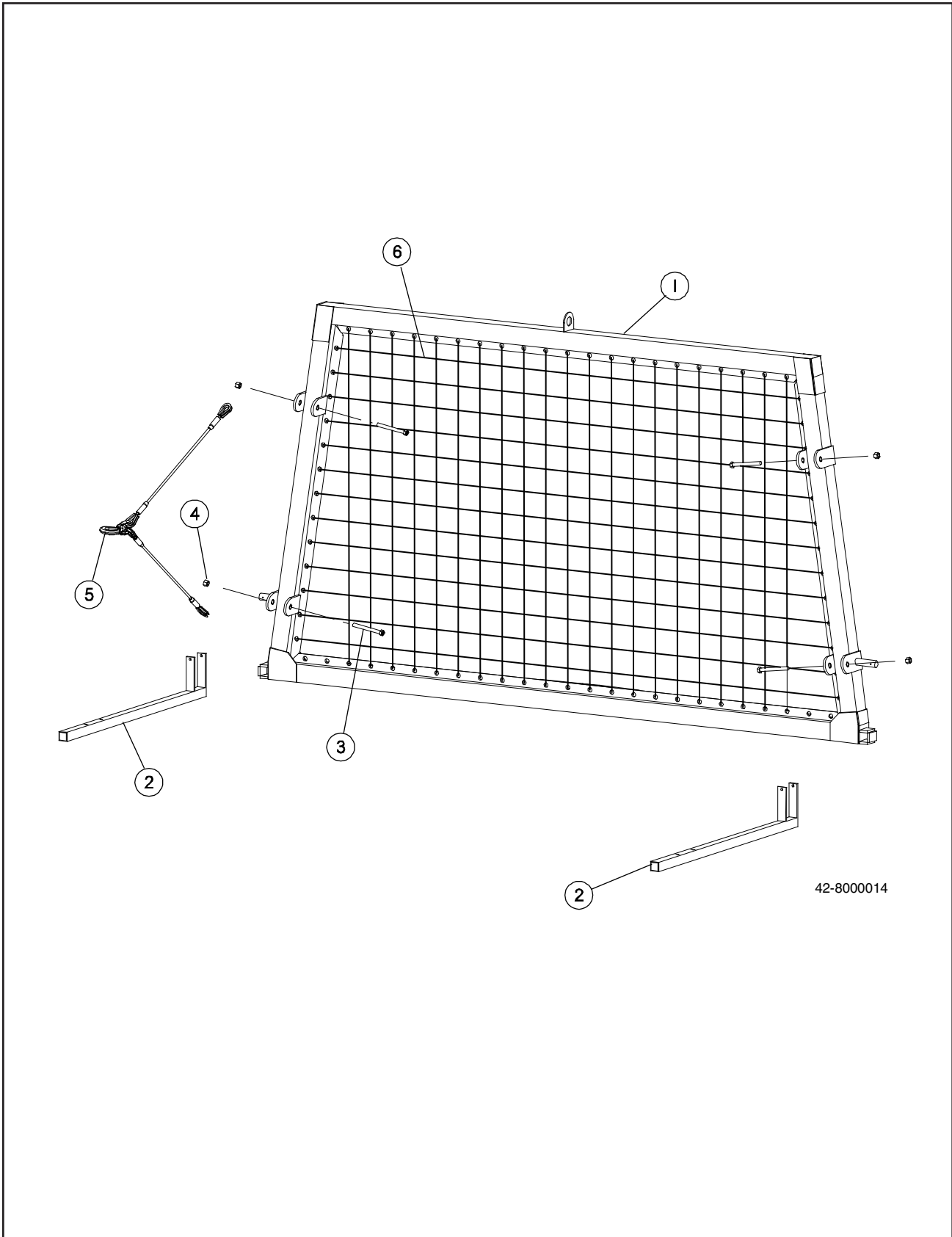
Sect. 5 - Backstop, Steel



42-0901141

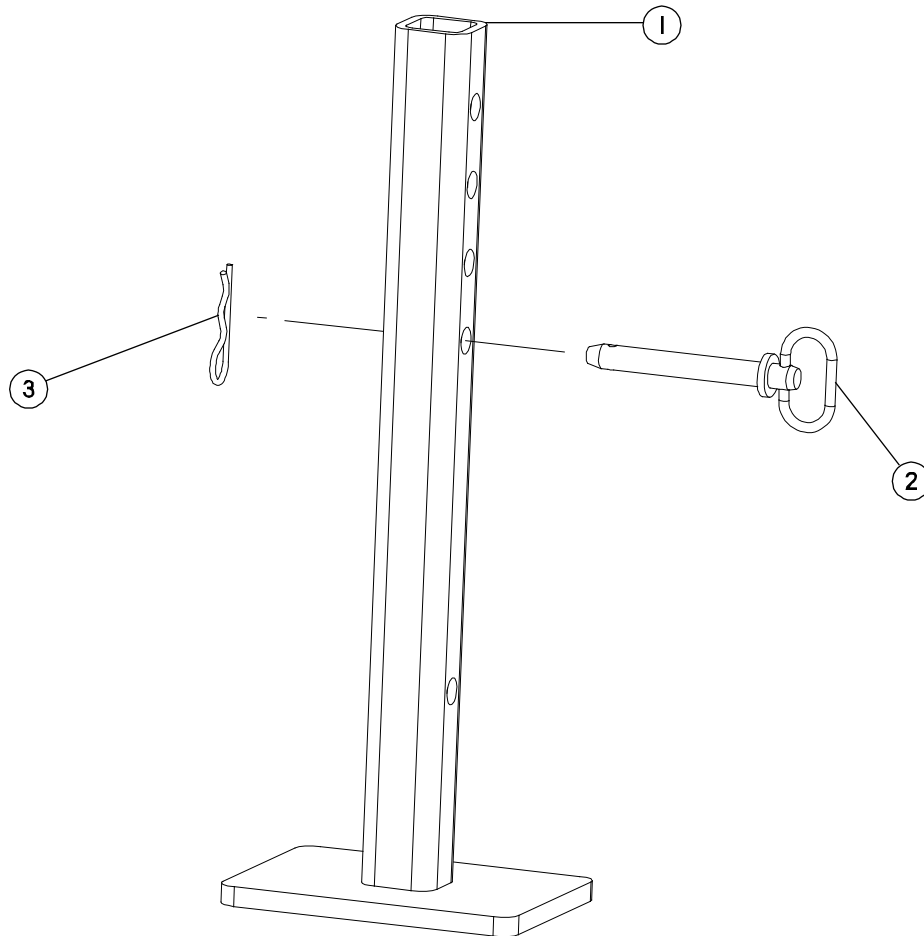
SECTION 5

Sect. 5 - Backstop, Aluminum - Optional



SECTION 5

Sect. 5 - Jack Stand - G6060, G6070 & G6070P



42-0900512

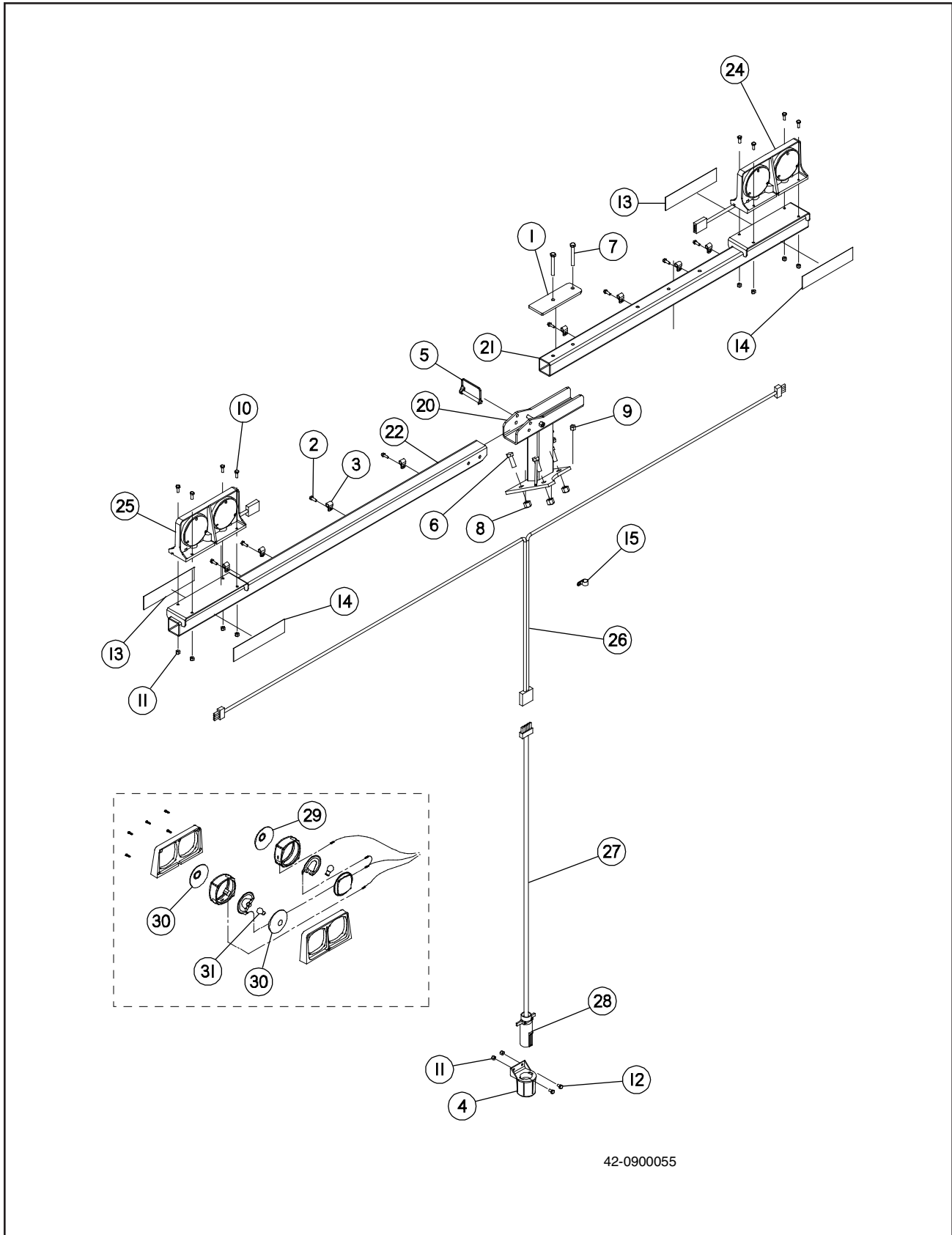
SECTION 5

This Page Intentionally Left Blank

SECTION 6
TRANSPORT LIGHTS, SAFETY
SIGNS & DECALS

SECTION 6

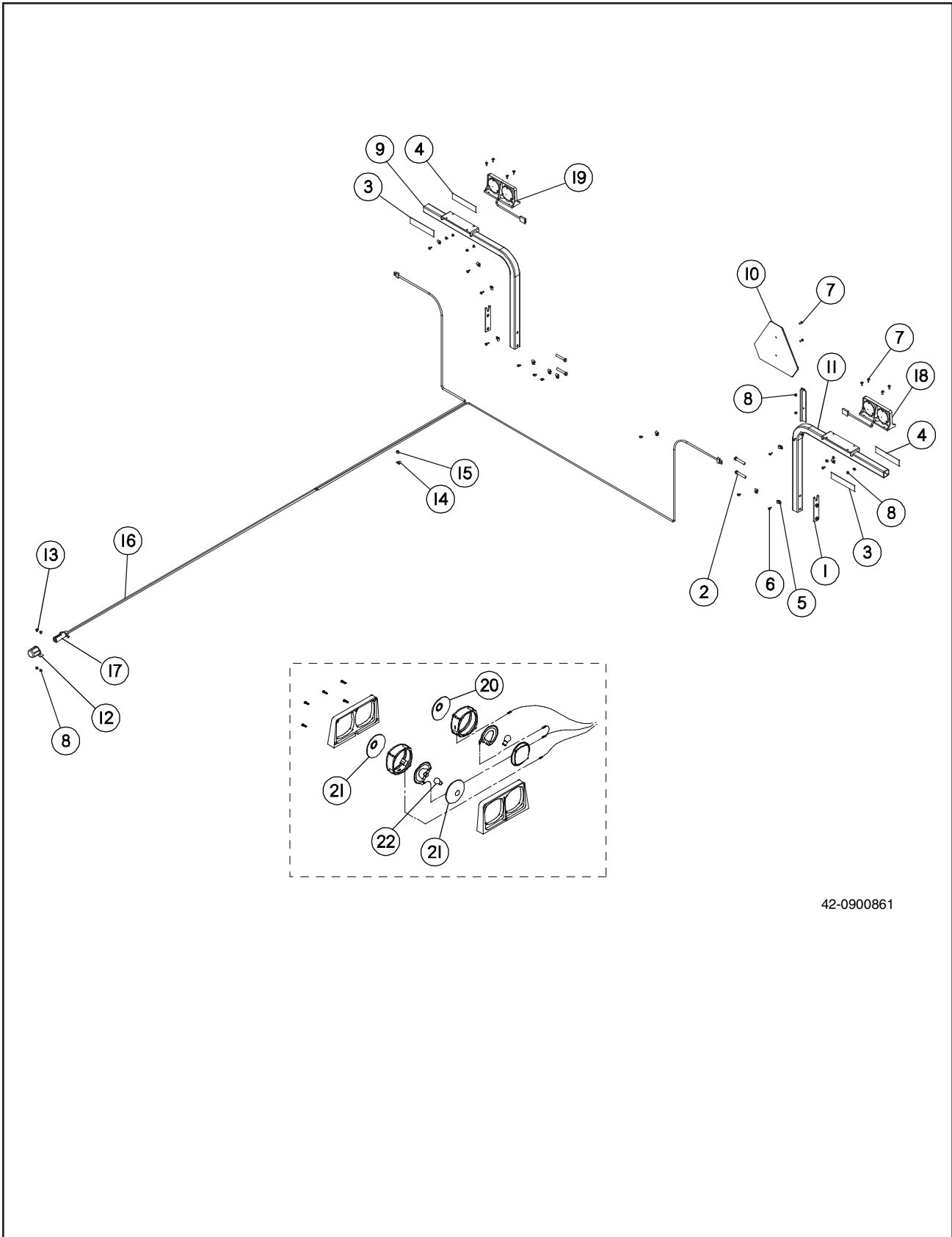
Sect. 6 - Transport Lights & Light Stand -
G6060, G6070 & G6070P



42-0900055

SECTION 6

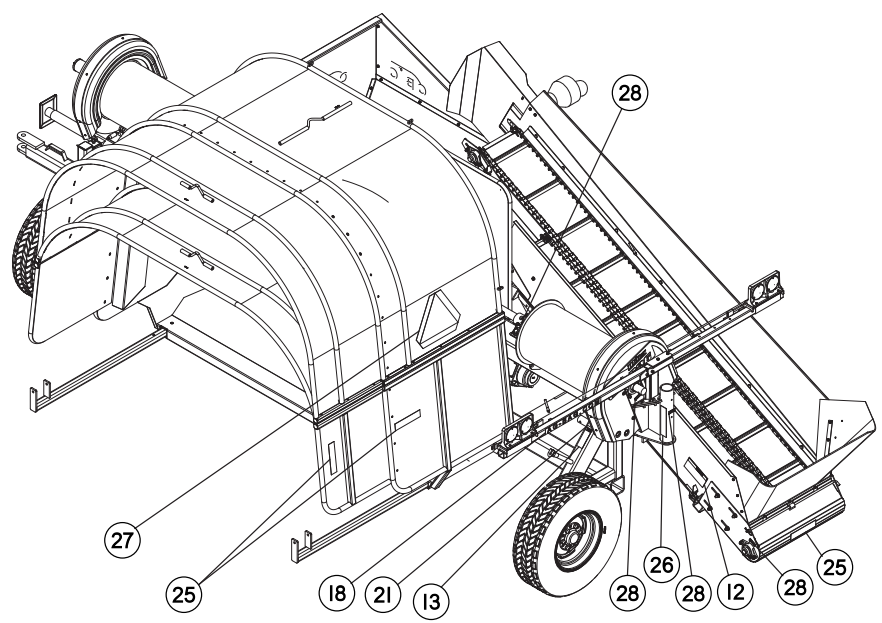
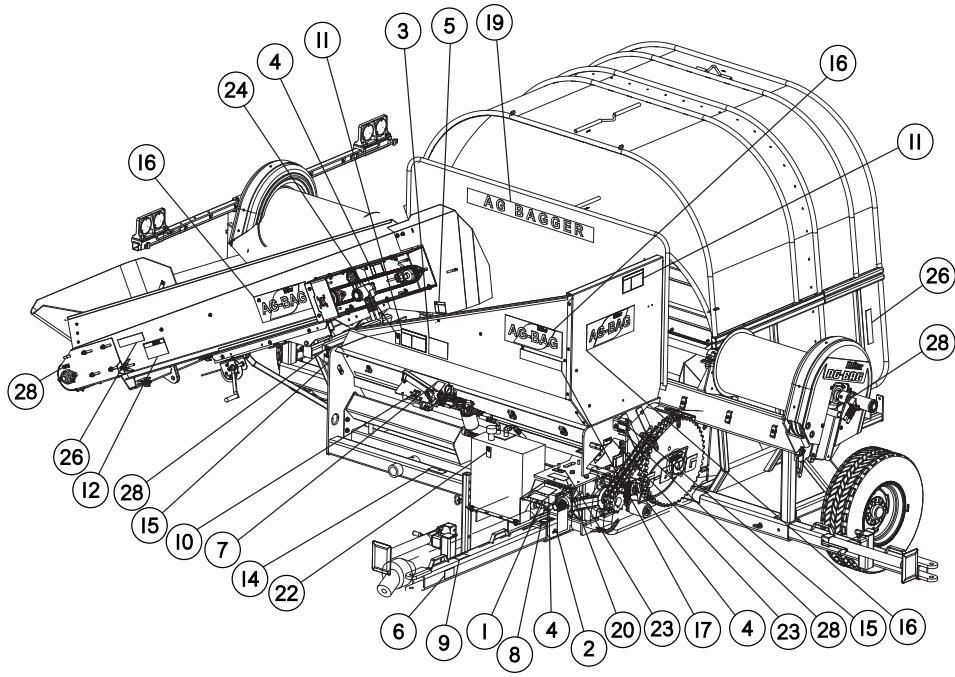
Sect. 6 - Transport Lights - PB6000



42-0900861

SECTION 6

Sect. 6 - Safety Signs & Decals - G6060, G6070 & G6070P



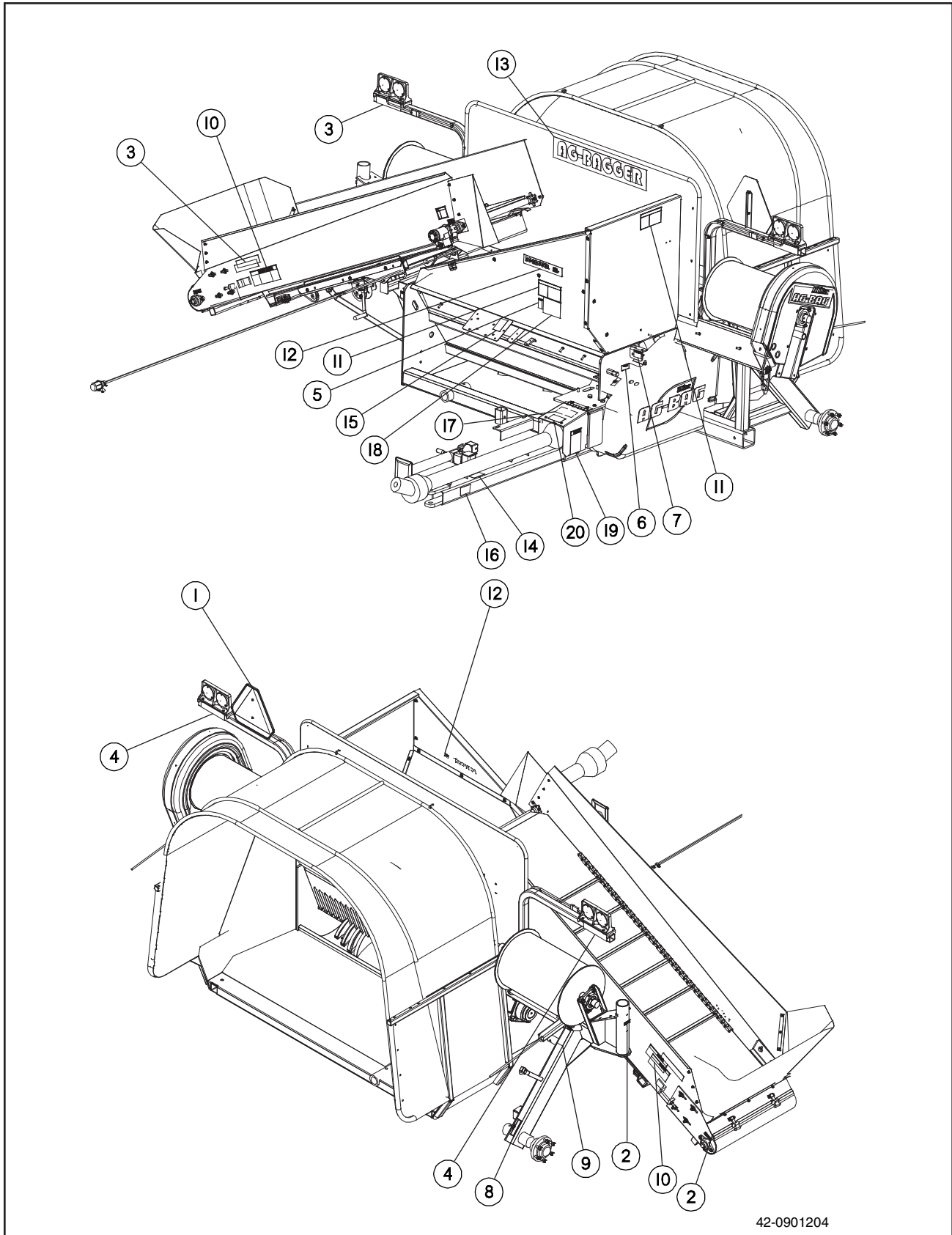
42-0900527 _1of 5

Sect. 6 - Safety Signs & Decals - G6060, G6070 & G6070P Parts List

Item	Part No.	Quantity	Description
1	01.77800	1	Safety Sign, Warning, No Step
2	16.20177	2	Safety Sign, Danger, Rotating Drive Line
3	16.20178	1	Safety Sign, Warning, Before Operating
4	16.20179	3	Safety Sign, Warning, Shield Is Off
5	16.20181	1	Safety Sign, Warning, Rotating Parts
6	17.01155	2	Safety Sign, Warning, Foot Crushing
7	21.09024	1	Safety Sign, Warning, High Pressure Oil
8	333532B2	1	Safety Sign, Warning, Shield Is Off
9	340248B1	1	Safety Sign, Caution 540 RPM (G6060 & G6070)
10	42.0900014	1	Decal, Conveyor/Cable Rewind
11	42.0900820	2	Safety Sign, Danger, Rotor Entanglement
12	42.0900821	2	Safety Sign, Danger, Conveyor Entanglement
13	42.0900822	2	Safety Sign, Warning Cable Entanglement
14	42.0900823	2	Decal, Important, Lug Nuts
15	42.0900837	2	Decal, Grease Rotor Bearing
16	42.0901563	3	Decal, Ag-Bag Logo, 7 x 19"
17	42.0901565	1	Decal, G6070 (G6070 & G6070P)
	42.0901564	1	Decal, G6060 (G6060)
18	42.0901566	1	Decal, ag-bag.com, 1.75 x 20"
19	42.0901567	1	Decal, Ag-Bagger, 4 x 42"
20	42-0901581	1	Decal, 75W-90 Syn Oil
21	42.0901739	2	Decal, Important, Cable Guide Removal
22	42.1530028	1	Decal, Notice, Hydraulic Oil Only
23	42.1530054	2	Decal, Oil Chain
24	42.1530065	1	Decal, Notice, Tractor Neutral
25	907219	3	Decal, Red Retroreflective, 2 x 9"
26	907220	4	Decal, Yellow Retroreflective, 2 x 9"
27	907225	1	Decal, SMV Emblem
28	907510	11	Decal, Grease

SECTION 6

Sect. 6 - Safety Signs & Decals - PB6000



42-0901204

Sect. 6 - Safety Signs & Decals - PB6000 Parts List

Item	Part No.	Quantity	Description
1	907521	1	SMV w/ Plastic Backing
2	907510	9	Decal, Grease
3	907220	3	Decal, Yellow Retroreflective, 2 x 9"
4	907219	2	Decal, Red Retroreflective, 2 x 9"
5	42.1530065	1	Decal, Notice, Tractor Neutral
6	42.1530054	1	Decal, Oil Chain
7	42.0900837	2	Decal, Grease Rotor Bearing
8	42.0900823	2	Decal, Important, Lug Nuts
9	42.0900822	2	Safety Sign, Warning Cable Entanglement
10	42.0900821	2	Safety Sign, Danger, Conveyor Entanglement
11	42.0900820	2	Safety Sign, Danger, Rotor Entanglement
12	42.0900012	1	Decal, Ag-Bagger 6000 Series
13	42.0900010	1	Decal, Ag-Bagger, 5" Blue
14	340248B1	1	Safety Sign, Caution 540 RPM
15	21.09024	1	Safety Sign, Warning, High Pressure Oil
16	17.01155	2	Safety Sign, Warning, Foot Crushing
17	16.20179	2	Safety Sign, Warning, Shield Is Off
18	16.20178	1	Safety Sign, Warning, Before Operating
19	16.20177	2	Safety Sign, Danger, Rotating Drive Line
20	01.77800	1	Safety Sign, Warning, No Step

SECTION 6

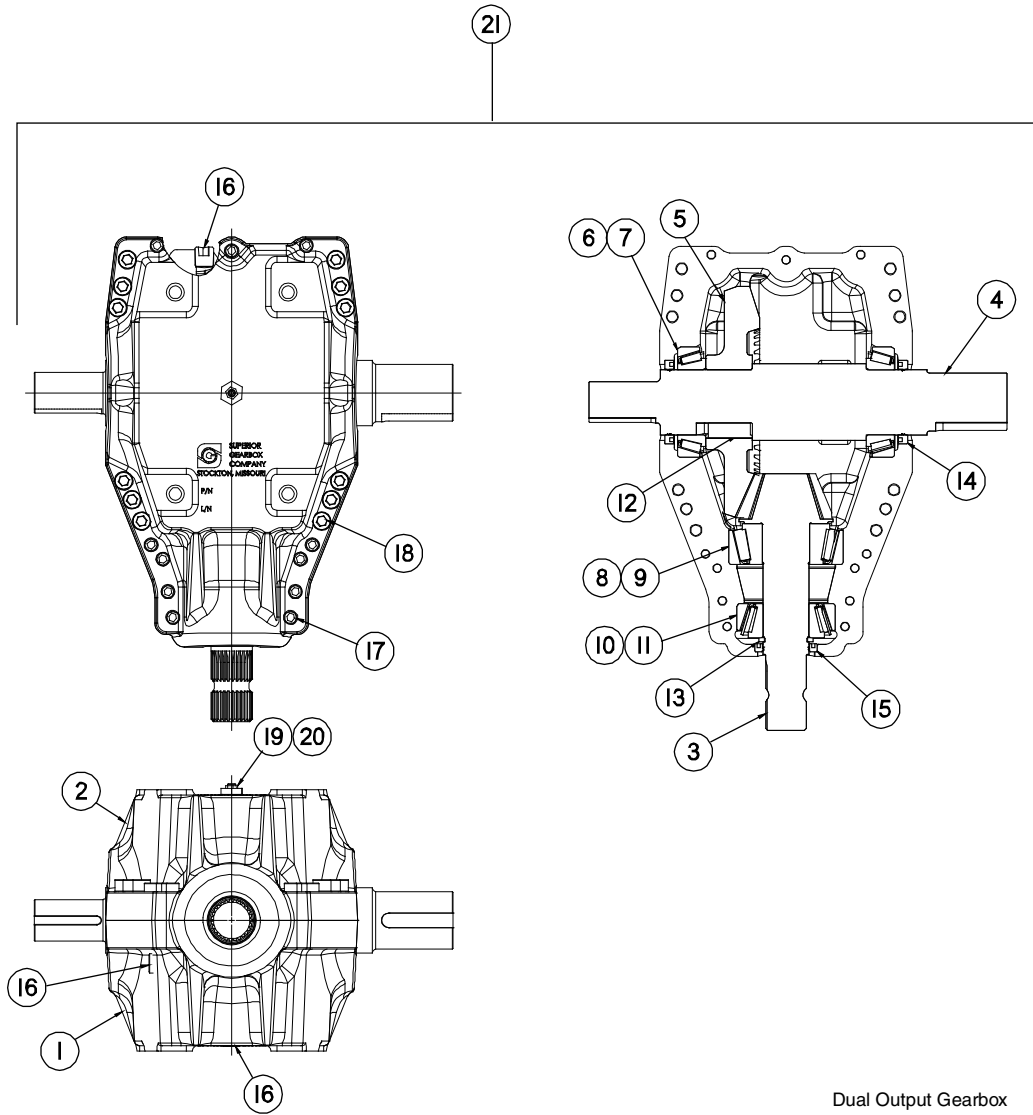
This Page Intentionally Left Blank

SECTION 7

GEARBOX

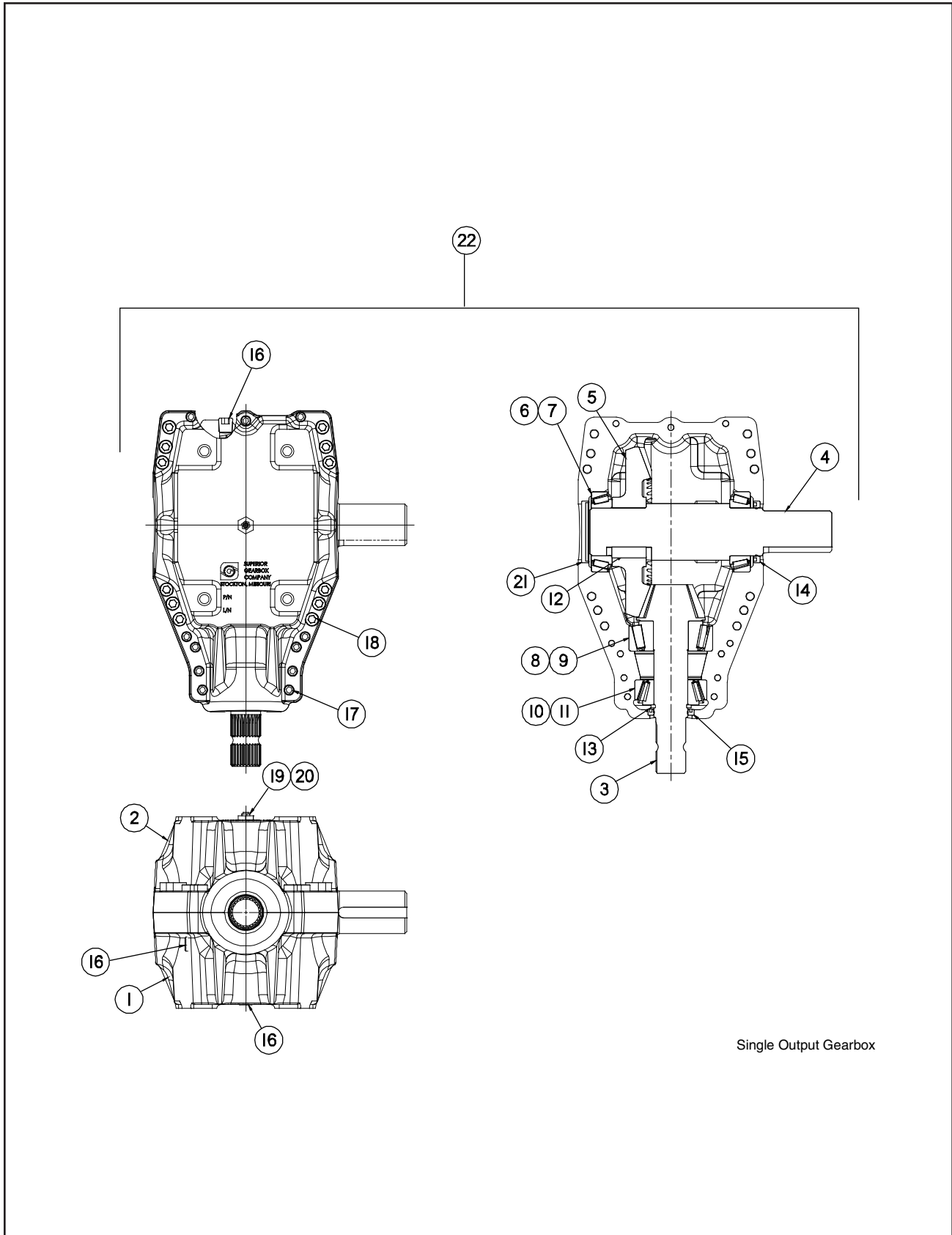
SECTION 7

Sect. 7 - Gearbox - Dual Output - G6060 & G6070



SECTION 7

Sect. 7 - Gearbox - Single Output - PB6000



Sect. 7 - Gearbox - Single Output - PB6000 Parts List

Item	Part No.	Quantity	Description
1	42.0000317	1	Housing, R700 TAP 1/2-14 Side
2	42.0000318	1	Housing, R700 THRU Improved
3	42.1520316	1	Pinion Gear
4	42.1500380	1	Shaft, Cross 700110
5	42.1520774	1	Gear
6	42.1510215	2	Bearing Cup, 4.6250 VN-33462
7	42.1510214	2	Bearing Cone, 2.750 VN-33275
8	42.1510199	1	Bearing Cup, TMKN# 5535
9	42.1510059	1	Bearing Cone, TMKN# 5565
10	905456	1	Bearing Cup, 4.125 VN-HM807010
11	42.1510060	1	Bearing Cone, TMKN# HM807044
12	42.0901100	1	Key, 5/8 x 5/8 x 1.945
13	42.1500338	1	Retaining Ring, External, 1.938
14	42.1500356	2	Seal, 2.750 - 3.500 x .375
15	42.1500355	1	Seal, 1.937 - 2.623 x .312
16	903096	3	Plug, 1/2-14 NPT, Socket Head
17	906385	11	Bolt, SHCS, 3/8-16 x 2-1/4"
18	907896	12	Bolt, SHCS, 1/2-13 x 2-1/4" Gr 8
19	904768	1	Bushing, 1/2 NPT To 1/8 NPT
20	906386	1	Plug, Vent, 5 psi
21	907897	1	End Cap, CP - 3.500 x .375
22	42.1520051	1	Gearbox, Complete

SECTION 7

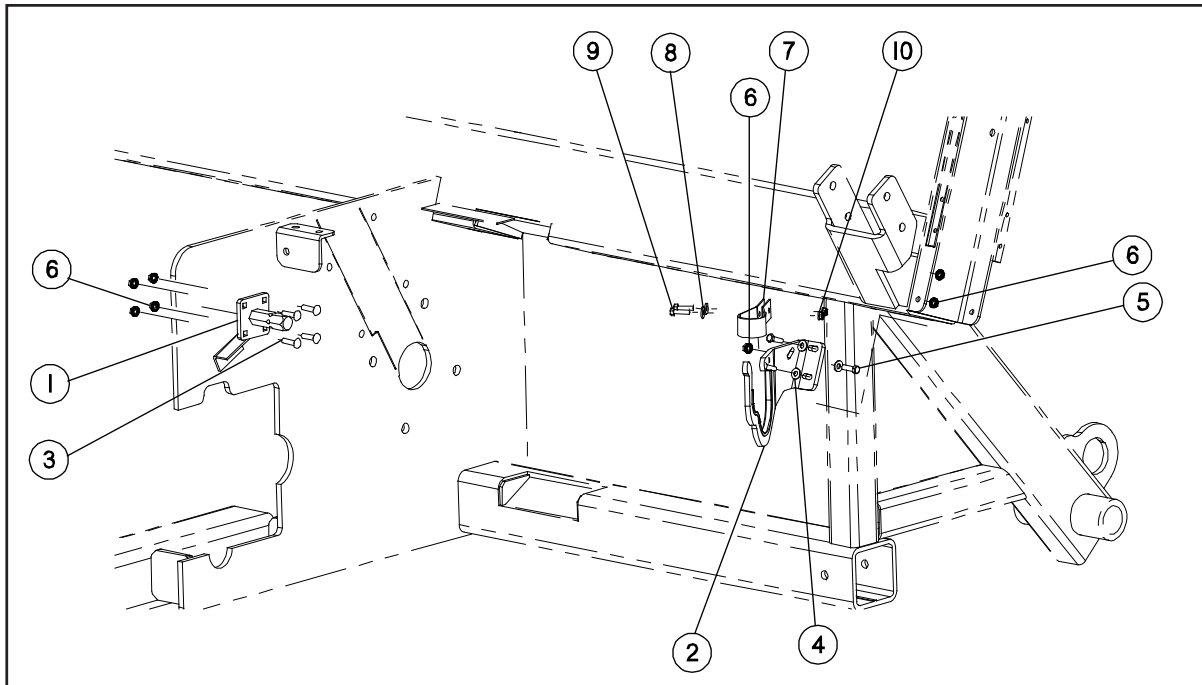
This Page Intentionally Left Blank

SECTION 8

PTO DRIVELINE

SECTION 8

Sect. 8 - PTO Transport Kit - G6060 & G6070

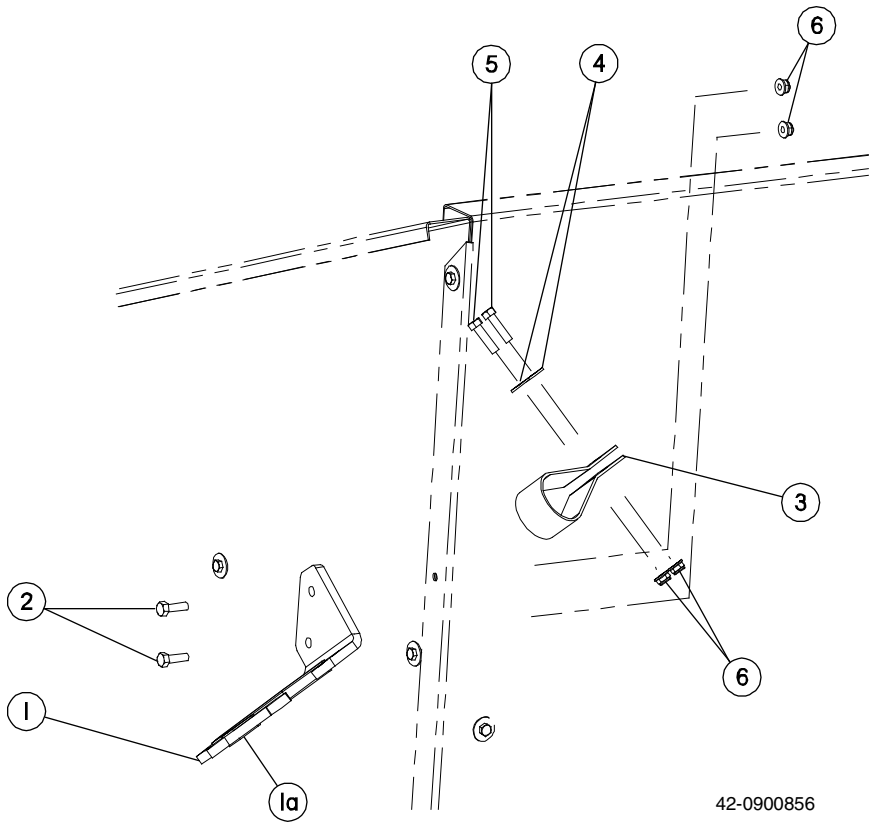


42-0900458

11

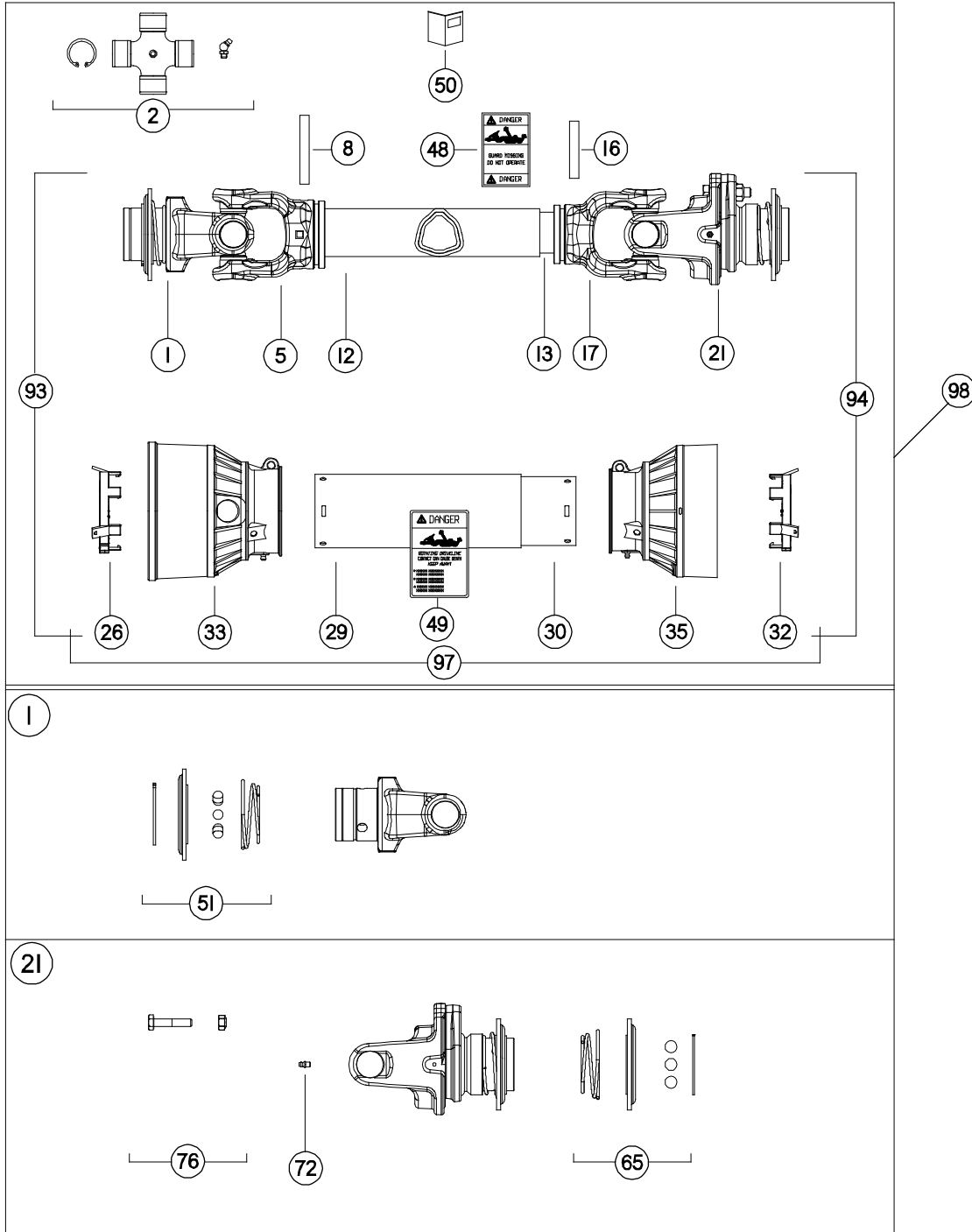
SECTION 8

Sect. 8 - PTO Transport Assembly - G6070P



SECTION 8

Sect. 8 - PTO Shaft - PB6000 & (G6060 Up To 2009 Production)



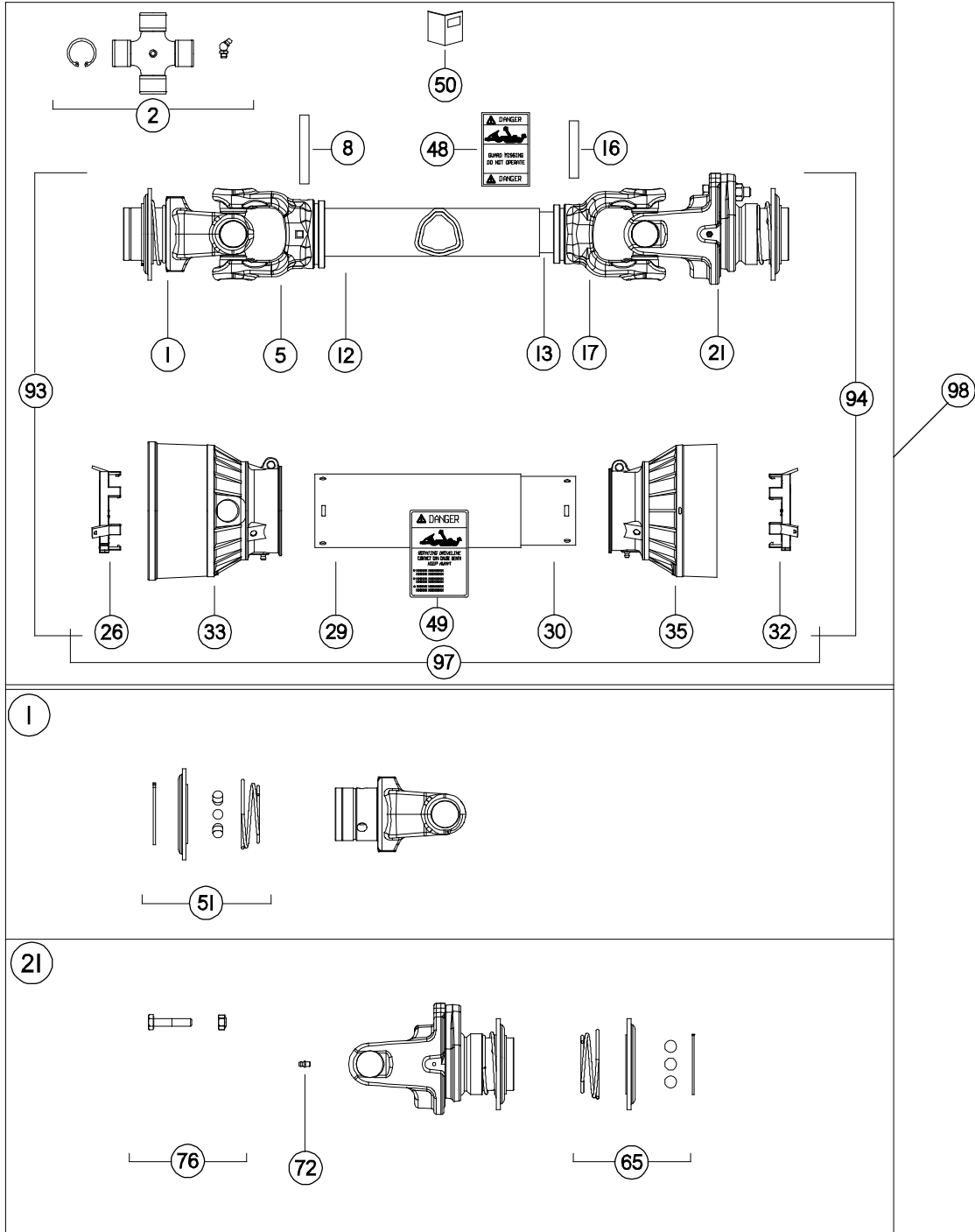
42-0900041

Sect. 8 - PTO Shaft - PB6000 & (G6060 Up To 2009 Production) Parts List

Item	Part No.	Quantity	Description
1	42.0901553	1	Yoke, #6/S7, 1-3/8" Z6 Ball
2	42.1500875	2	Cross Kit, #6, 30.2 x 91.4
5	42.1501636	1	Yoke
8	42.1501853	1	Flexible Roll Pin, #6/7 Outer, 10 x 75mm
12	42.0901555	1	Tube
13	42.0901556	1	Tube, CARDAN #6 Inner
16	42.1520749	1	Flexible Roll Pin, #6/7 Inner, 10 x 65mm
17	42.1501858	1	Yoke, #6 Inner Tube
21	42.0900043	1	Yoke, Ball Shear #6, 1-3/4" 27QD
26	42.1501047	1	Shield Support, #6-7 Outer 6G502
29	NSS	1	Safety Tube (Not Serviced Separately)
30	NSS	1	Safety Tube (Not Serviced Separately)
32	42.1501048	1	Shield Support, #6-7 Inner 6G602
33	NSS	1	I.Cone, Shield Cone, #5-6-7 Inner (Not Serviced Separately)
35	NSS	1	I.Cone, Shield Cone, #5-6-7 Inner (Not Serviced Separately)
48	331639B2	1	Danger Label, Outer Drive Tube
49	329594B2	1	Danger/Shield Label
50	NSS	1	Instruction Booklet (Not Serviced)
51	42.0901557	1	Kit, Ball Collar, 1-3/8" #6
65	42.0000692	1	Kit, RT Ball Collar S5/S9, 1-3/4"
72	NSS	1	Grease Fitting, M6 x 1 Straight (Not Serviced Separately)
76	42.0900156	1	Screws, Bolt-Nut M10 x 50mm CL8.8
91	NSS	1	Half Shaft, Uncleared (Not Serviced Separately)
92	NSS	1	Half Shaft, Uncleared (Not Serviced Separately)
93	NSS	1	Half Shaft, Cleared (Not Serviced Separately)
94	NSS	1	Half Shaft, Cleared (Not Serviced Separately)
95	NSS	1	Half Shield Kit (Not Serviced Separately)
96	NSS	1	Half Shield Kit (Not Serviced Separately)
97	42.0901558	1	Complete Shield Kit
98	42.0000041	1	PTO Shaft, Complete

SECTION 8

Sect. 8 - PTO Shaft - G6070 & (G6060 2009 Production & After)



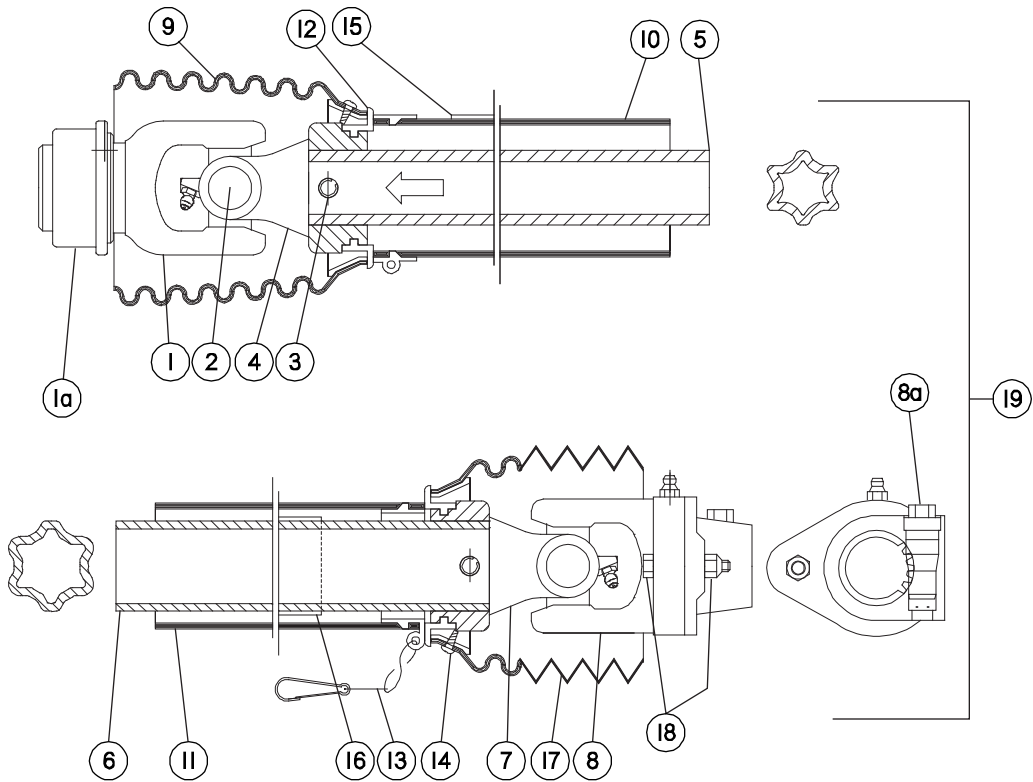
42-0900042

Sect. 8 - PTO Shaft - G6070 & (G6060 2009 Production & After) Parts List

Item	Part No.	Quantity	Description
1	42.0900112	1	Yoke, #8/S9, 1-3/8" Z6 Ball
2	42.1501790	2	Cross Kit, #8, 35 x 106
5	42.1501637	1	Yoke, #8 Outer Tube
8	42.0900123	1	Flexible Roll Pin, #8/9 Outer, 12 x 90mm
12	42.0901559	1	CARDANTube
13	42.0901560	1	Tube, CARDAN #8 Inner
16	42.0900124	1	Flexible Roll Pin, #8/9 Inner, 12 x 75mm
17	42.1501638	1	Yoke, #8 Inner Tube
21	42.0900044	1	Yoke, Ball Shear #8, 1-3/4" 27QD
26	42.0900121	1	Shield Support, #8-9-10 Outer 8G502
29	NSS	1	Safety Tube (Not Serviced Separately)
30	NSS	1	Safety Tube (Not Serviced Separately)
32	42.0900122	1	Shield Support, #8-9-10 Inner 8G602
33	42.0900108	1	O.Cone, Shield Cone, #8-9 Outer Std.
35	NSS	1	I.Cone, Shield Cone, #8-9 Inner (Not Serviced Separately)
48	331639B2	1	Danger Label, Outer Drive Tube
49	329594B2	1	Danger/Shield Label
50	NSS	1	Instruction Booklet (Not Serviced)
51	42.0901561	1	Kit, Ball Collar, 1-3/8" #8
65	42.0000692	1	Kit, RT Ball Collar S5/S9, 1-3/4"
72	NSS	1	Grease Fitting, M6 x 1 Straight (Not Serviced Separately)
76	42.0900154	1	Bolt, M12 x 55mm CL8.8
91	NSS	1	Half Shaft, Uncleared (Not Serviced Separately)
92	NSS	1	Half Shaft, Uncleared (Not Serviced Separately)
93	NSS	1	Half Shaft, Cleared (Not Serviced Separately)
94	NSS	1	Half Shaft, Cleared (Not Serviced Separately)
95	NSS	1	Half Shield Kit (Not Serviced Separately)
96	NSS	1	Half Shield Kit (Not Serviced Separately)
97	42.0901562	1	Complete Shield Kit
98	42.0000042	1	PTO Shaft, Complete

SECTION 8

Sect. 8 - PTO Shaft - G6070P



42-0900849

Sect. 8 - PTO Shaft - G6070P Parts List

Item	Part No.	Quantity	Description
1	42.0901569	1	Yoke Assembly (Includes Item 1a)
1a	42.0901582	1	Lock Collar Kit
2	42.0901570	2	Cross & Bearing Kit
3	42.0901571	2	Spring Pin, 10 x 90mm
4	42.0901572	1	Inboard Yoke, S4
5	42.0901573	1	Inner Profile, S4LGA
6	42.0901574	1	Outer Profile, S5
7	42.0901575	1	Inboard Yoke, S5
8	42.0900852	1	Shearbolt Clutch (Includes Item 8a)
8a	42.0901583	1	Lock Assembly
9	42.0901576	1	Guard Cone, 7 Rib
10	42.0901577	1	Guard Tube, Outer
11	42.0901578	1	Guard Tube, Inner
12	42.0901579	2	Bearing Ring, SC25
13	07.20665	1	Restraint Chain
14	09.50101	2	Screw
15	17.00164	1	Decal, Outer
16	17.00165	1	Decal, Inner
17	42.0901580	1	Guard Cone, 6 Rib Flex
18	42.0900098	1	Bolt, M10 x 60 Gr8.8 & M10 Locknuts (Package of 5 each)
19	42.0900849	1	PTO Shaft - Complete

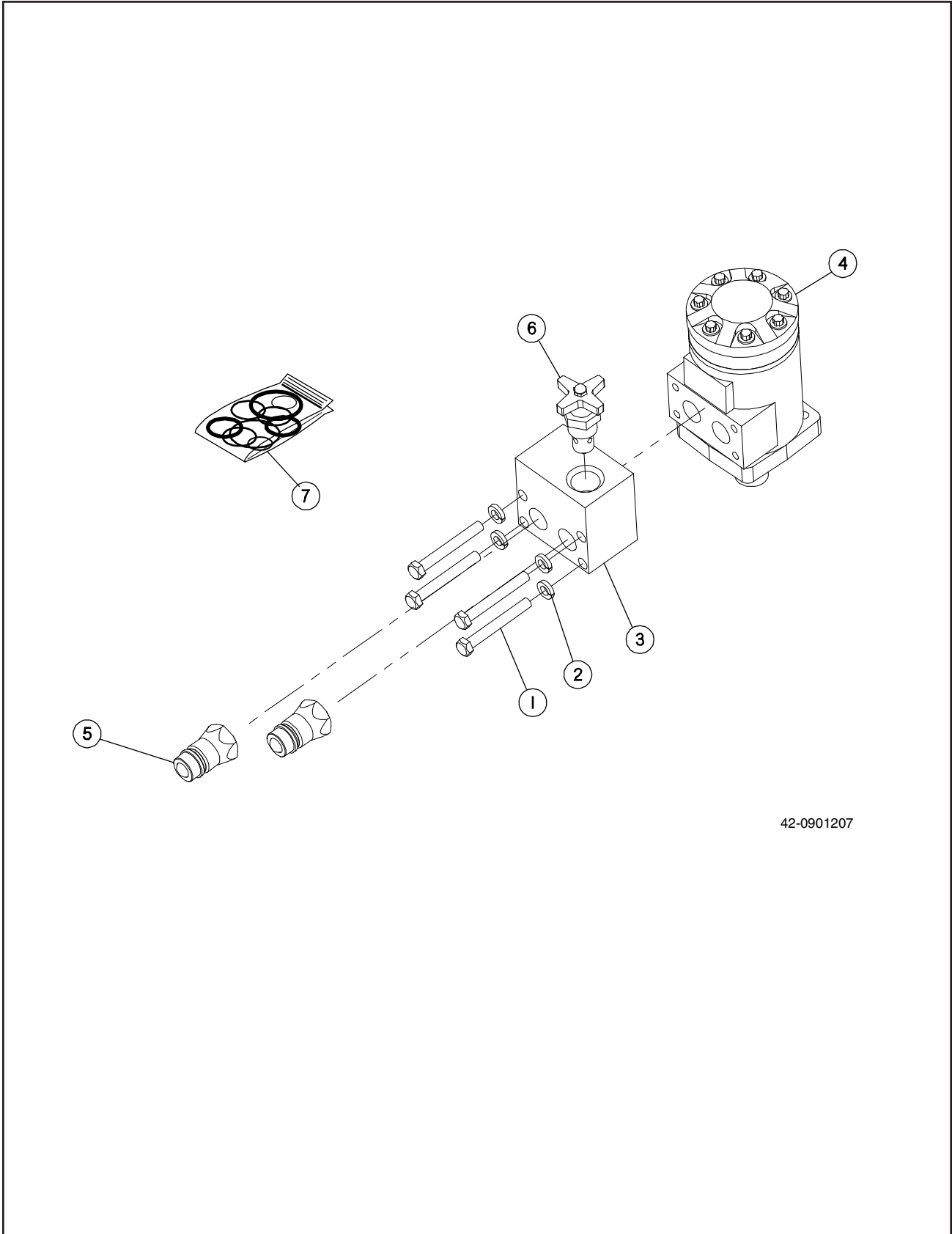
SECTION 8

This Page Intentionally Left Blank

SECTION 9
Hydraulics & Breather Assembly

SECTION 9

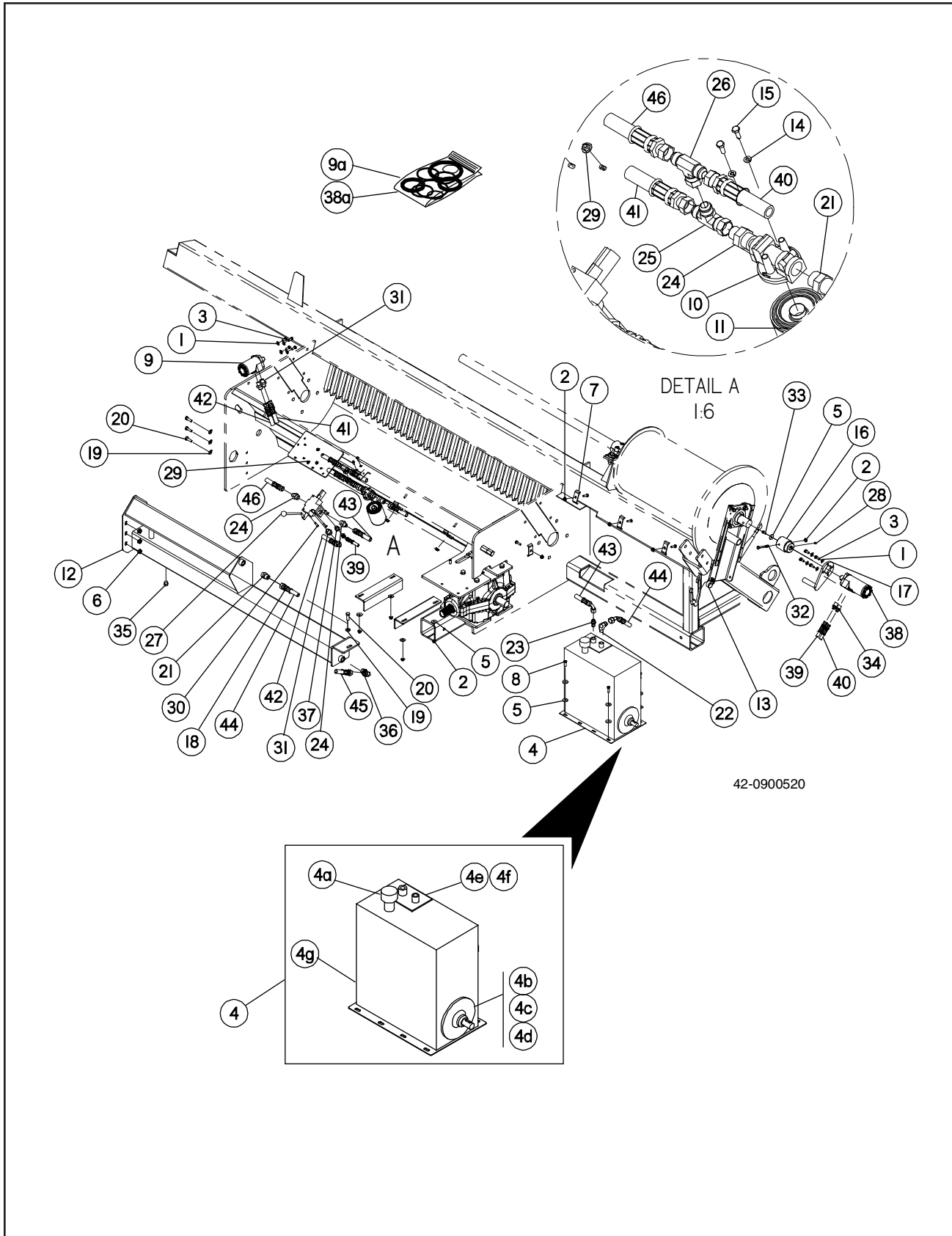
**Sect. 9 - Hydraulic Drive Assembly - Single Conveyor -
PB6000**



42-0901207

SECTION 9

Sect. 9 - Hydraulic Assembly - G6060 & G6070

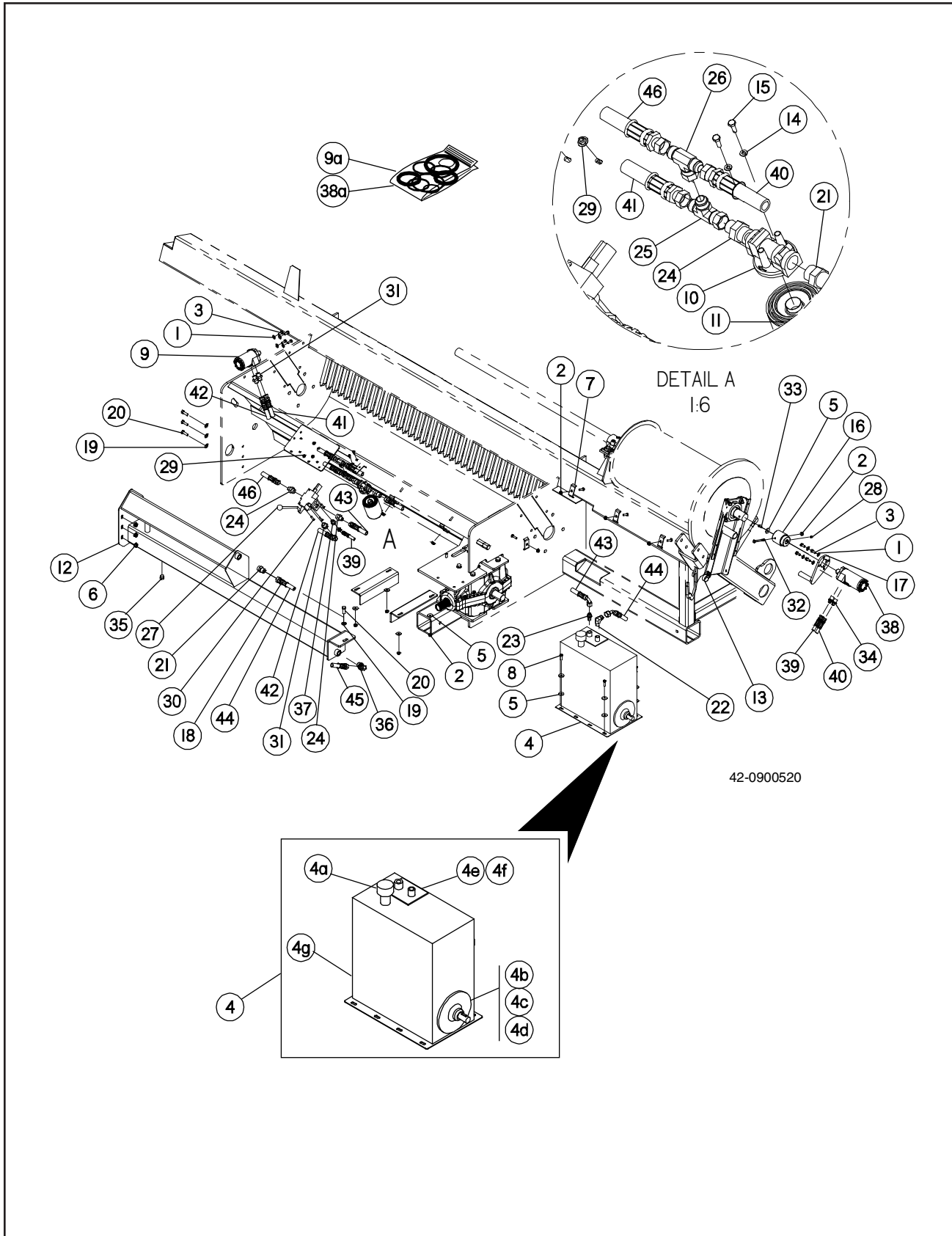


Sect. 9 - Hydraulic Assembly - G6060 & G6070 Parts List

Item	Part No.	Quantity	Description
1	901105	8	Washer, Flat, 3/8" SAE
2	907779	11	Nut, Hex Nylon Flange Lock, 3/8-16 Yellow Zinc
3	902300	8	Bolt, Hex, 3/8-16 x 1" Gr 5 Yellow Zinc
4	42.0900762	1	Tank, Hydraulic w/Pump & Decals (Includes Items 4a thru 4g)
4a	42.1500686	1	Cap, Breather
4b	42.0900240	1	Pump Kit w/Relief Valves & Gasket (Includes Items 4c & 4d)
4c	42.0900395	1	Relief Valves (1 set)
4d	42.0901129	1	Gasket, Pump Flange
4e	42.0901128	1	Gasket, Top Access Plate
4f	42.0901130	1	Hose, Hydraulic, 3/8 NPT x 22" 2WB - 1.000
4g	21.00300	1	Plug, Oil Drain
5	907057	13	Washer, Flat, .388 x 1.25 x .12"
6	907399	4	Nut, Hex Nylon Flange Lock, 1/2-13
7	322848B1	6	Clip, Hydraulic Line
8	902367	4	Bolt, Hex, 3/8-16 x 1-1/4" Gr 5
9	42.1541780	1	Motor, Hydraulic, Conveyor
9a	16.21179	1	Seal Kit, Hydraulic Motor
10	42.1541757	1	Base, Filter
11	42.1540167	1	Filter, Hydraulic, P551553
12	42.0900248	1	Reservoir, Tubular - G6070 Only
	42.0900247	1	Reservoir, Tubular - G6060 Only (Optional)
13	21.00340	1	Clamp, 1-1/2" Vinyl
14	900502	2	Washer, Lock, 1/4"
15	904863	2	Bolt, Hex, 1/4-20 x 3/4" Gr 5
16	42.1030014	1	Coupling, Cable Rewind
17	42.6008011	1	Mount, Hydraulic Motor, 101 Series
19	901937	4	Washer, Flat, 1/2"
20	903306	4	Bolt, Hex, 1/2-13 x 1-1/2" Gr 5
21	09.74127	2	Adapter, 12 ORB x 3/4 MJIC
22	32.60755	1	Elbow, 1/2 MPT x 3/4 MJIC
23	32.60008	1	Adapter, 1/2 MPT x 10 JIC
24	42.1540551	3	Adapter, 12 ORB x 7/8 MJIC
25	907669	1	Tee, Swivel Run, 10 JIC
26	907554	1	Tee, Branch, 10 JIC Swivel
27	42.0900557	1	Valve, Flow Control w/Handle - Conveyor & Cable Rewind
	42.0900175	1	Handle Kit
	42.0900176	1	Seal Kit
	42.0900177	1	Relief cartridge
	42.0000272	1	Knob
28	900445	1	Screw, Set, 3/8-16 x 1/2"
29	903376	3	Nut, Hex Lock, 1/4-20 Whizlock
30	907614	3	Bolt, Button Head, 1/4-20 x 1-1/2" Stainless Steel
31	40.00147	3	Connector, 37° ORB 7/8-14
32	904214	1	Bolt, Hex, 3/8-16 x 3-1/2" Gr 5
33	907348	1	Screw, Hex Hd, 1/4-20 x 3/4" Thread Cutting Stainless Steel
34	07.17851	2	Connector, Male, 3/8 JIC x 1/2 NPT
35	907168	1	Plug, 08 ORB
36	09.74125	1	Elbow, 90° 37° Flare, 3/4
37	907774	1	Connector, 06 MJIC x 10 ORB

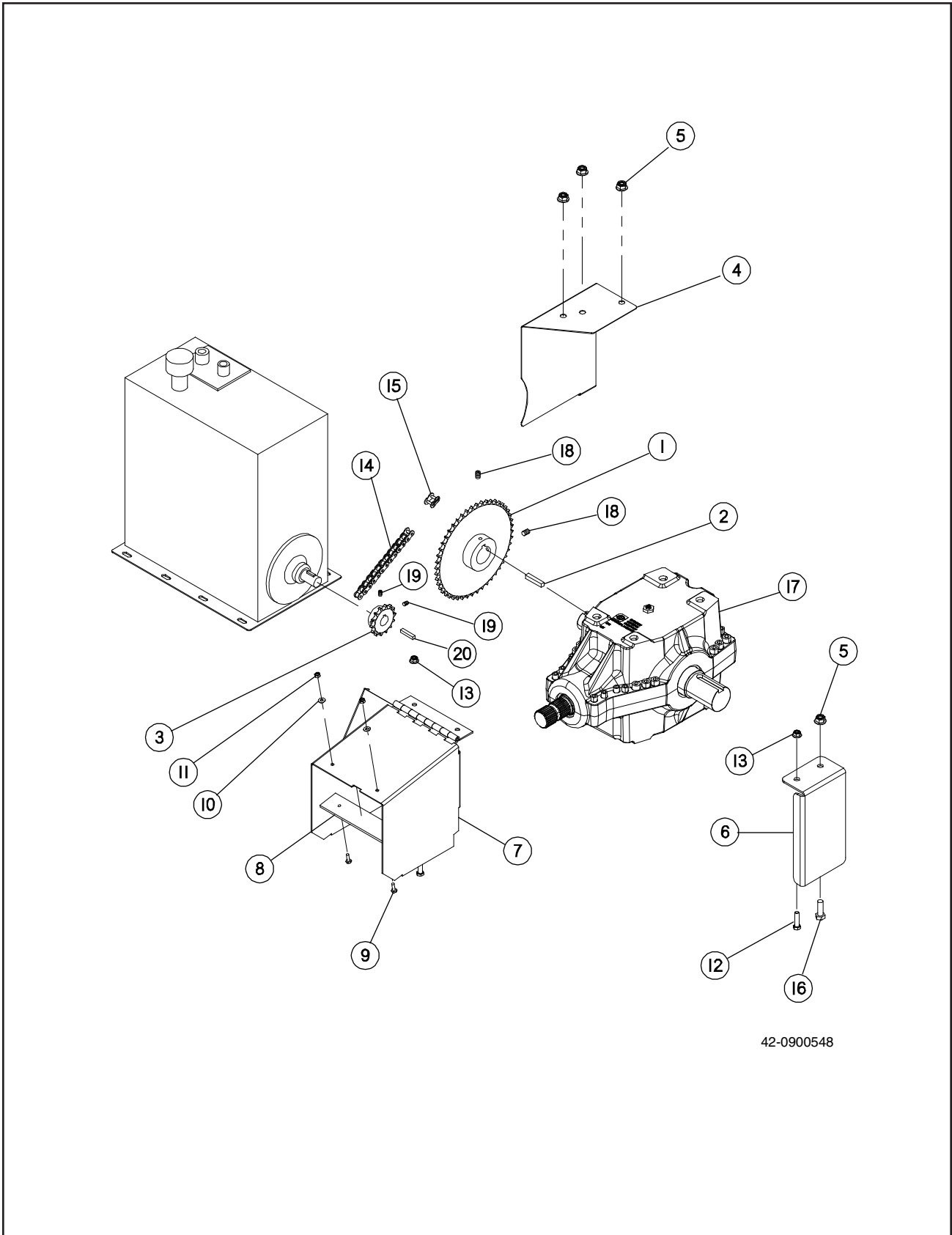
SECTION 9

Sect. 9 - Hydraulic Assembly - G6060 & G6070 (continued)



SECTION 9

Sect. 9 - Hydraulic Drive - PTO Shield Assembly - G6060 & G6070



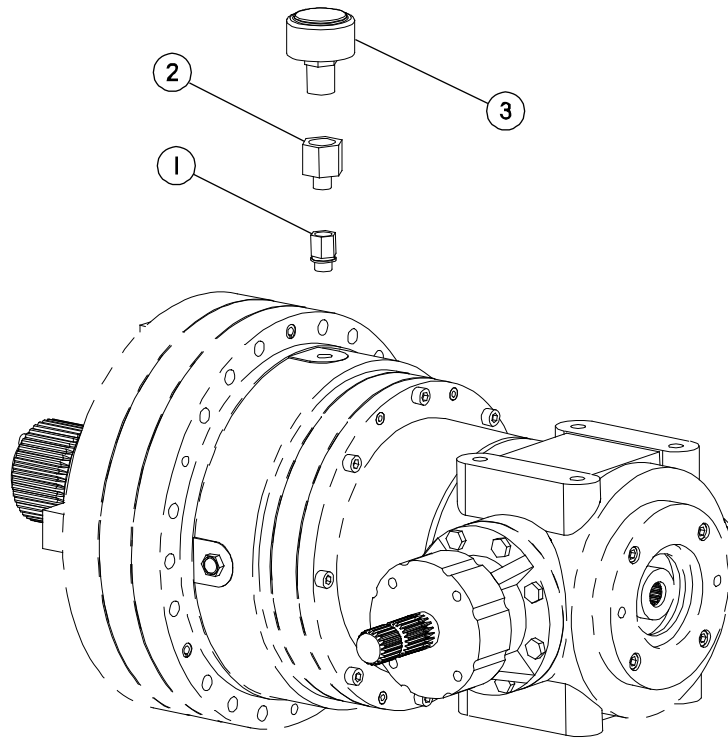
42-0900548

Sect. 9 - Hydraulic Drive - PTO Shield Assembly - G6060 & G6070 Parts List

Item	Part No.	Quantity	Description
1	42.1520760	1	Sprocket, 50B48F x 1-3/4" Bore
2	42.6012005	1	Key, Square, 3/8 x 3/8 x 2"
3	42.1520759	1	Sprocket, 50B14F x 1" Bore
4	42.0900459	1	Shield, Rear Pump Drive
5	907399	4	Nut, Hex Nylon Flange Lock, 1/2-13
6	42.0900452	1	Shield, Gear Box PTO
7	42.0901479	1	Shield, Input, Flip Up w/Decals
8	42.1120061	1	UHMW Strip, PTO Guard
9	907270	2	Bolt, Hex, 1/4-20 x 3/4" Stainless Steel
10	907234	2	Washer, Flat, 1/4" Stainless Steel
11	907389	2	Nut, Hex Lock, 1/4-20 Nylock Stainless Steel
12	903848	2	Bolt, Hex, 3/8-16 x 1-1/2"
13	907779	2	Nut, Hex Nylon Flange Lock, 3/8-16 Yellow Zinc
14	42.1520761	1	Chain, #50 Riveted, 66P, 41" Long UST
15	42.1520073	1	Link, #50 Connector UST
16	903306	1	Bolt, Hex, 1/2-13 x 1-1/2" Gr 5
17	42.1520814	1	Gear Box, Dual Output
18	905582	2	Screw, Set, 3/8-16 x 1/2"
19	900441	2	Screw, Set, 5/16-18 x 5/16"
20	901172	1	Key, Square, 1/4 x 1/4 x 2"

SECTION 9

Sect. 9 - Breather Assembly - Planetary - G6070P



42-0900857

SECTION 9

This Page Intentionally Left Blank

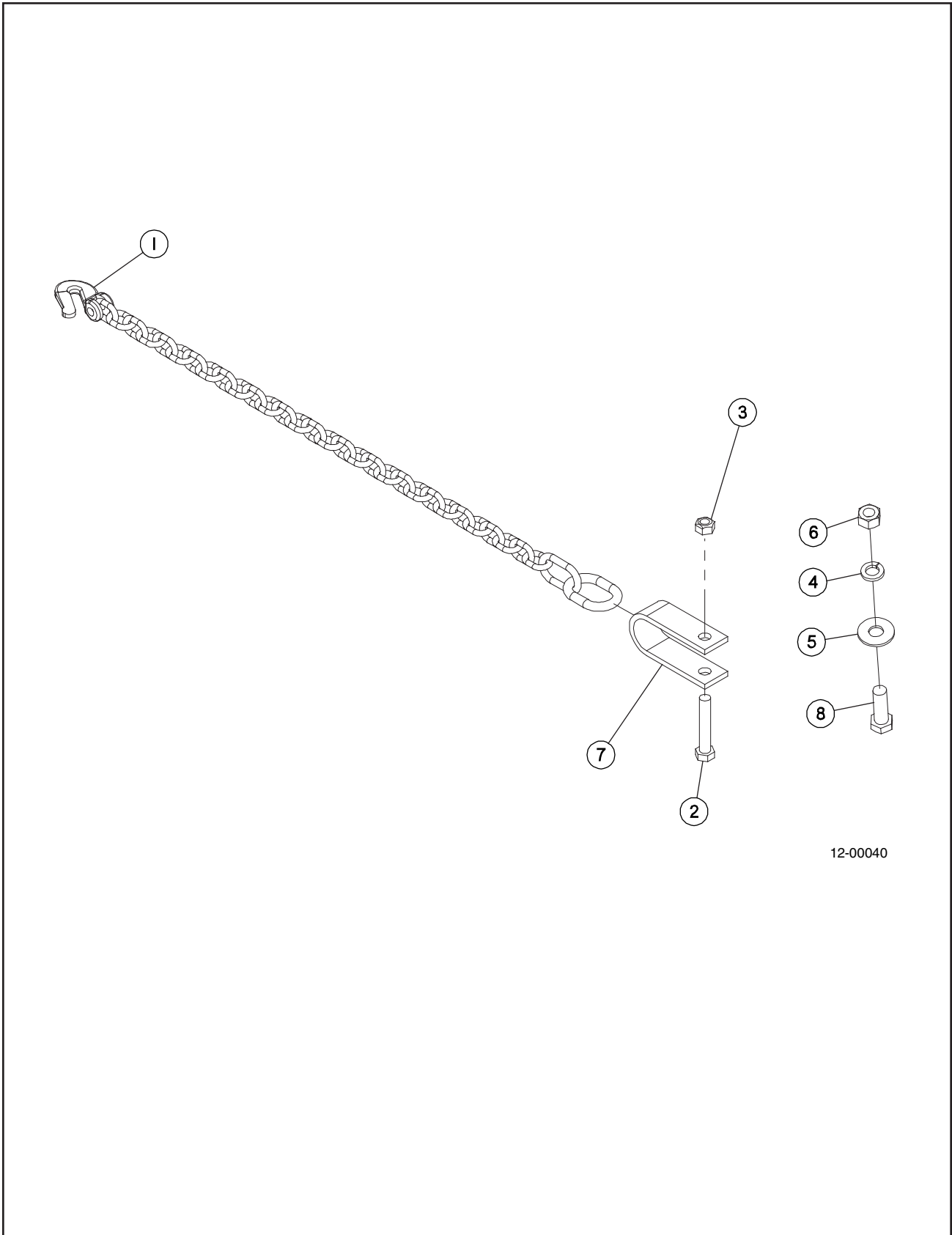
SECTION 10
MISCELLANEOUS ITEMS, OP-
TIONS & KITS

SECTION 10

Sect. 10 - Miscellaneous Items



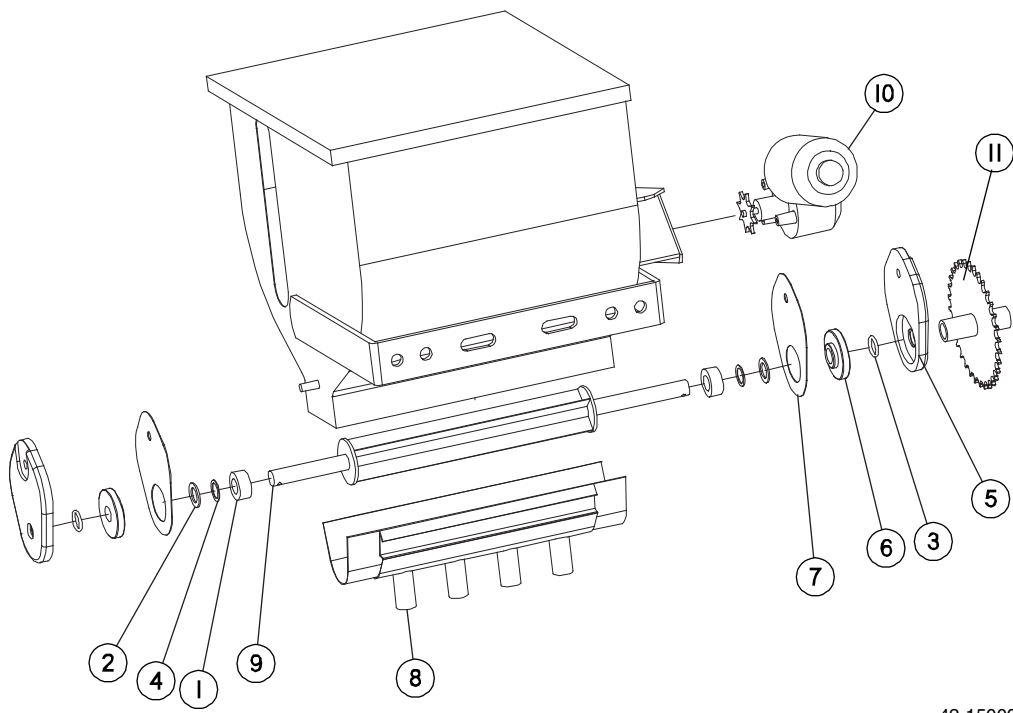
Sect. 10 - Safety Chain Kit



12-00040

SECTION 10

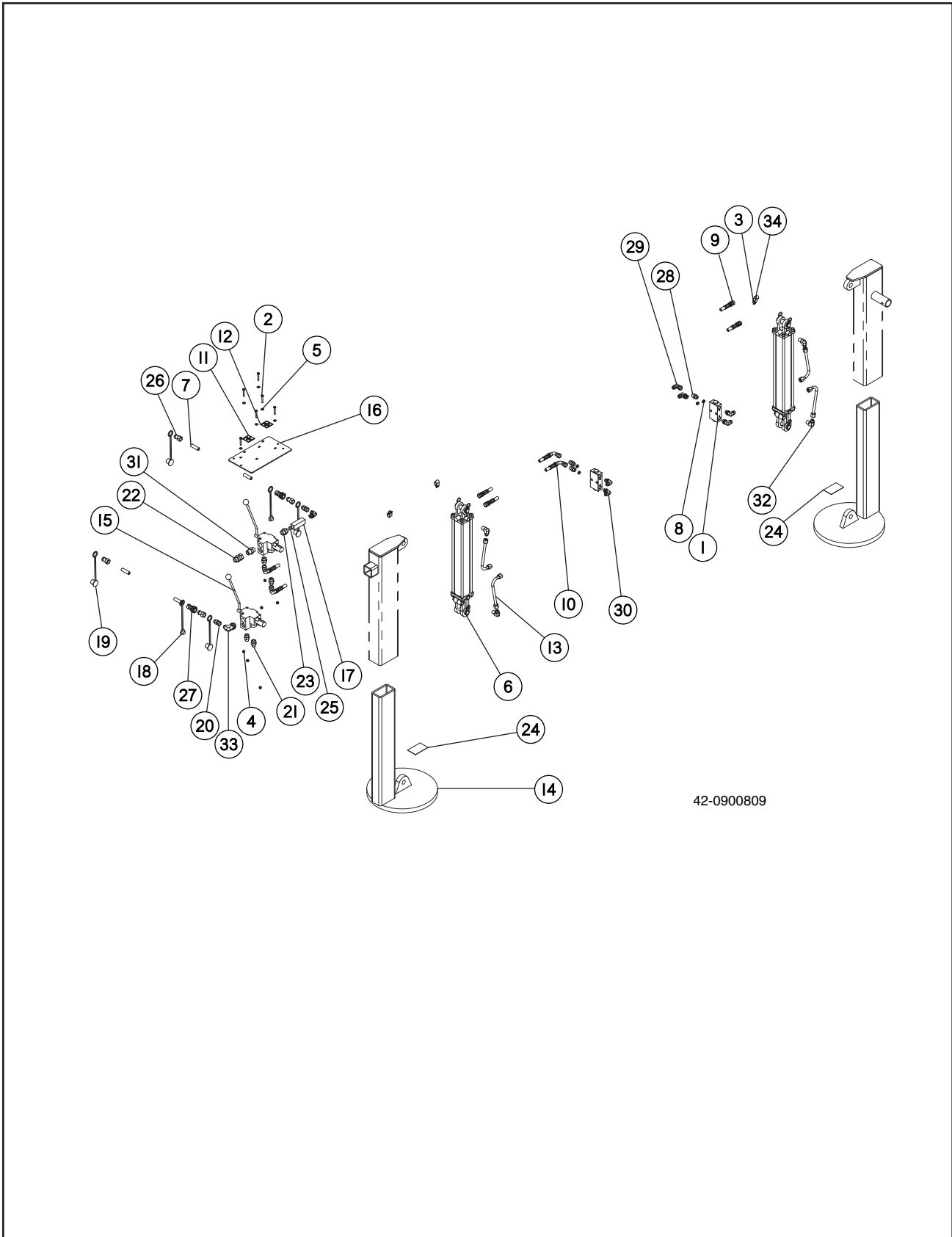
Sect. 10 - Gandy, 45 lb. Dry Inoculant Applicator



42-150005

SECTION 10

Sect. 10 - Hydraulic Lift Kit - G6060, G6070 & G6070P

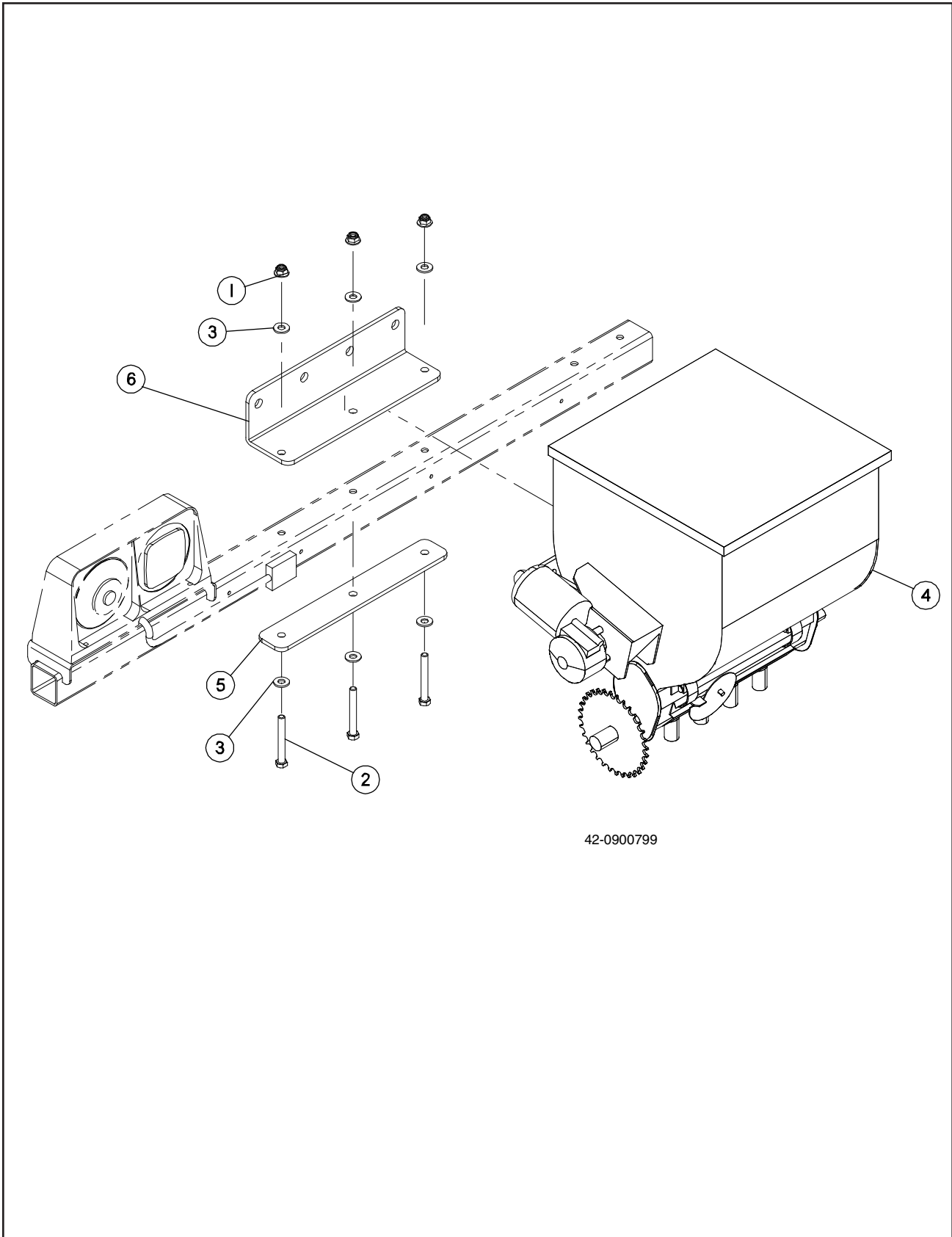


Sect. 10 - Hydraulic Lift Kit - G6060, G6070 & G6070P Parts List

Item	Part No.	Quantity	Description
1	907912	2	PO Check Valve, Double -8 ORB
2	907060	6	Bolt, Hex, 1/4-20 x 1-3/4" Gr 5
3	906400	3	Nut, Hex Lock, 3/8-16 Nylock
4	904092	6	Nut, Hex Lock, 1/4-20 Nylock
5	900493	6	Washer, Flat, 1/4" SAE Yellow Zinc
6	42.1541342	2	Cylinder, Hydraulic, 3 x 18"
7	42.0901412	2	Hose, Hydraulic, 3/8 x 144"
8	42.0901411	4	Orifice, -8 ORB One Way, .059"
9	42.0901320	2	Hose, Hydraulic, 3/8 x 150"
10	42.0901319	2	Hose, Hydraulic, 3/8 x 24"
11	42.0901317	1	Decal, Hitch End Lift
12	42.0901316	1	Decal, Conveyor End Lift
13	42.0901176	4	Tube, Hydraulic, 1/2" Lift, PO Check
14	42.0900830	2	Jack Base, Hydraulic Lift
15	42.0900558	2	Valve, Conveyor Lift w/Handle
16	42.0900466	1	Plate, Valve & Brake Pump Mount
17	40.00149	1	Check Valve
18	32.03085	2	Dust Plug, 1/2"
19	32.03084	4	Dust Cap, 1/2"
20	32.03077	2	Adapter, -08 ORB x 1/2" JIC Swivel
21	32.02101	4	Adapter, -10 ORB x 1/2" Male JIC
22	32.01956	1	Adapter, -12 ORB x 3/4" JIC Swivel
23	32.01940	1	Adapter, -12 ORB x 1/2" Male JIC
24	21.09025	2	Decal, Pinch Point
25	21.00902	1	O-Ring, SAE -8 (.64 I.D.)
26	09.74158	4	Coupler, Quik, Male, -08 ORB
27	09.74157	2	Coupler, Quik, 3/4-16 ORB Female
28	09.74155	3	Adapter, -08 ORB x 1/2" Male JIC
29	09.74149	1	Elbow, 90°, 1/2" JIC Swivel
30	09.74145	6	Elbow, -08 ORB x 1/2" Male JIC
31	09.74127	1	Adapter, -12 ORB x 3/4" Male JIC
32	07.19006	4	Elbow, 1/2" NPT x 1/2" Male JIC
33	07.17943	1	Elbow, -12 ORB x -08 Male JIC
34	05.73375	3	Clamp, Hose, .625" I.D. Double

SECTION 10

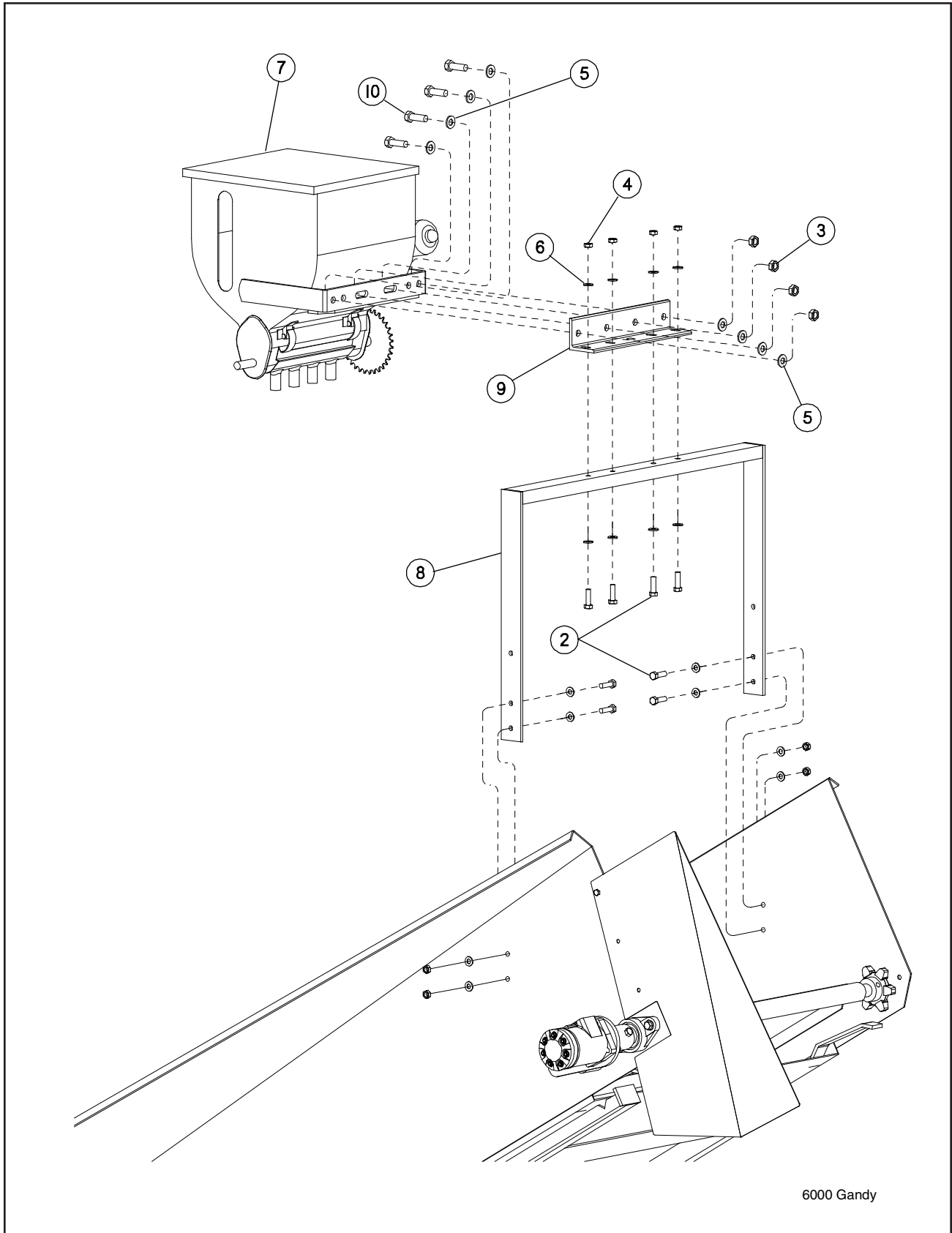
Sect. 10 - Gandy Option G6060,G6070 & G6070P



42-0900799

SECTION 10

Sect. 10 - Gandy Box PB6000 Only



SECTION 10

This Page Intentionally Left Blank

SECTION 11
NUMERICAL INDEX

SECTION 11

Part Number Index

Part No.	Page	Part No.	Page	Part No.	Page
01.73266.....	1-5	21.09025.....	10-9	42.0900035.....	3-9
01.77800.....	6-7, 6-9	21.20917.....	6-3, 6-5	42.0900037.....	3-9
05.73120.....	1-5, 1-11, 2-3, 5-7	21.22733.....	6-3, 6-5	42.0900038.....	3-9
05.73375.....	4-3, 10-9	21.30727.....	4-3	42.0900040.....	4-3
07.17764.....	3-21	22.00188.....	3-9, 3-11	42.0900043.....	8-7
07.17843.....	3-25	303629B1.....	3-9, 3-11	42.0900044.....	8-9
07.17851.....	9-5	32.01940.....	10-9	42.0900045.....	3-9
07.17861.....	3-25	32.01956.....	3-25, 10-9	42.0900049.....	6-3
07.17943.....	10-3	32.02101.....	10-9	42.0900052.....	6-3
07.17994.....	9-11	32.03077.....	10-9	42.0900054.....	6-3
07.19006.....	10-3	32.03084.....	10-9	42.0900056.....	3-3
07.20665.....	8-11	32.03085.....	10-9	42.0900061.....	3-5
09.50101.....	8-11	32.60008.....	9-5	42.0900062.....	3-5
09.70985.....	3-9	32.60011.....	4-3	42.0900098.....	8-11
09.71112.....	3-3, 4-3	32.60704.....	3-25	42.0900108.....	8-9
09.71251.....	3-9, 3-11	32.60755.....	9-5	42.0900112.....	8-9
09.71754.....	10-5	32.61133.....	3-25	42.0900121.....	8-9
09.71756.....	3-3	322848B1.....	3-25, 9-5	42.0900122.....	8-9
09.72010.....	3-9, 3-11, 3-17	329594B2.....	8-7, 8-9	42.0900123.....	8-9
09.74125.....	9-5	331639B2.....	8-7, 8-9	42.0900124.....	8-9
09.74127.....	3-25, 9-5, 10-9	333532B2.....	6-7	42.0900154.....	8-9
09.74145.....	10-9	340248B1.....	6-7, 6-9	42.0900156.....	8-7
09.74149.....	10-9	341077B1.....	3-9	42.0900165.....	2-7
09.74155.....	10-9	40.00147.....	9-5	42.0900174.....	3-3
09.74157.....	10-9	40.00149.....	10-9	42.0900175.....	9-5
09.74158.....	10-9	42.00000.....	10-3	42.0900176.....	9-5
11.80534.....	8-3, 8-5	42.0000041.....	8-7	42.0900177.....	9-5
12.10006.....	10-5	42.0000042.....	8-9	42.0900181.....	2-7
16.0901679.....	1-7	42.0000093.....	1-3	42.0900190.....	2-7
16.10818.....	6-3, 6-5	42.0000094.....	1-3	42.0900191.....	2-7
16.20144.....	3-9, 3-11	42.0000095.....	1-3	42.0900192.....	2-7
16.20165.....	6-3, 6-5	42.00001.....	10-3	42.0900240.....	9-5
16.20177.....	6-7, 6-9	42.0000101.....	3-9	42.0900246.....	1-3, 1-7
16.20178.....	6-7, 6-9	42.00002.....	10-3	42.0900247.....	9-5
16.20179.....	6-7, 6-9	42.0000272.....	9-5	42.0900248.....	9-5
16.20181.....	6-7	42.0000317.....	7-3, 7-5	42.0900349.....	1-3
16.21179.....	3-13, 3-17, 9-3, 9-5	42.0000318.....	7-3, 7-5	42.0900371.....	1-3, 1-7
.....	9-7	42.0000692.....	8-7, 8-9	42.0900372.....	1-3
17.00164.....	8-11	42.0900004.....	3-9, 3-11	42.0900373.....	1-9
17.00165.....	8-11	42.0900005.....	3-9, 3-11	42.0900375.....	1-11, 2-3
17.00650.....	3-9, 6-3, 6-5	42.0900006.....	3-9, 3-11	42.0900377.....	3-3
17.00750.....	3-21	42.0900007.....	3-9, 3-11	42.0900380.....	1-3
17.00863.....	3-25	42.0900009.....	3-9	42.0900385.....	4-7
17.01155.....	6-7, 6-9	42.0900010.....	6-9	42.0900395.....	9-5
18.00097.....	3-23	42.0900012.....	6-9	42.0900397.....	3-17, 4-7
21.00300.....	9-5	42.0900013.....	3-25	42.0900408.....	6-3
21.00340.....	9-5	42.0900014.....	6-7	42.0900413.....	1-3
21.00516.....	3-25	42.0900019.....	3-9, 3-11	42.0900415.....	1-7
21.00902.....	10-9	42.0900020.....	3-9	42.0900427.....	8-3
21.09024.....	6-7, 6-9	42.0900034.....	3-9	42.0900434.....	3-23

Part Number Index (continued)

Part No.	Page	Part No.	Page	Part No.	Page
42.0900441.....	3-21	42.0900830.....	10-9	42.0901533.....	3-21
42.0900442.....	10-11	42.0900837.....	6-7, 6-9	42.0901553.....	8-7
42.0900443.....	10-11	42.0900849.....	8-11	42.0901555.....	8-7
42.0900445.....	1-3	42.0900852.....	8-11	42.0901556.....	8-7
42.0900447.....	1-3, 1-7	42.0900863.....	1-3	42.0901557.....	8-7
42.0900452.....	9-9	42.0900940.....	8-5	42.0901558.....	8-7
42.0900457.....	8-3	42.0900987.....	3-15	42.0901559.....	8-9
42.0900458.....	8-3	42.0901002.....	3-15	42.0901560.....	8-9
42.0900459.....	9-9	42.0901003.....	3-15	42.0901561.....	8-9
42.0900460.....	6-3	42.0901008.....	3-15	42.0901562.....	8-9
42.0900461.....	6-3	42.0901009.....	3-15	42.0901563.....	6-7
42.0900462.....	6-3, 6-5	42.0901011.....	3-11	42.0901564.....	6-7
42.0900463.....	6-3, 6-5	42.0901014.....	3-11	42.0901565.....	6-7
42.0900466.....	10-9	42.0901019.....	3-11, 3-15	42.0901566.....	6-7
42.0900468.....	3-25	42.0901020.....	3-11	42.0901567.....	6-7
42.0900476.....	6-5	42.0901022.....	3-11	42.0901569.....	8-11
42.0900481.....	6-5	42.0901023.....	3-11	42.0901570.....	8-11
42.0900484.....	3-21	42.0901034.....	3-15	42.0901571.....	8-11
42.0900488.....	6-5	42.0901035.....	3-11	42.0901572.....	8-11
42.0900489.....	6-5	42.0901037.....	3-11	42.0901573.....	8-11
42.0900531.....	9-7	42.0901100.....	7-5	42.0901574.....	8-11
42.0900532.....	9-7	42.0901101.....	7-3	42.0901575.....	8-11
42.0900533.....	9-7	42.0901117.....	1-3	42.0901576.....	8-11
42.0900534.....	9-7	42.0901121.....	1-3	42.0901577.....	8-11
42.0900535.....	9-7	42.0901128.....	9-5	42.0901578.....	8-11
42.0900536.....	9-7	42.0901129.....	9-5	42.0901579.....	8-11
42.0900537.....	9-7	42.0901130.....	9-5	42.0901580.....	8-11
42.0900538.....	9-7	42.0901137.....	1-3	42.0901582.....	8-11
42.0900539.....	4-3	42.0901139.....	1-3	42.0901583.....	8-11
42.0900540.....	4-3	42.0901142.....	2-5	42.0901587.....	3-3
42.0900549.....	5-7	42.0901176.....	10-9	42.0901595.....	1-3
42.0900554.....	3-17, 3-23	42.0901262.....	3-9	42.0901599.....	1-3
42.0900557.....	9-5	42.0901263.....	3-9	42.0901687.....	3-9, 3-11
42.0900558.....	3-25, 10-9	42.0901271.....	3-9	42.0901688.....	3-11
42.0900559.....	8-3, 8-5	42.0901316.....	10-9	42.0901739.....	6-7
42.0900562.....	1-9	42.0901317.....	10-9	42.0901750.....	3-9, 3-11
42.0900567.....	3-7	42.0901319.....	10-9	42.1000001.....	1-7
42.0900569.....	3-25	42.0901320.....	10-9	42.1000027.....	1-7
42.0900570.....	3-25	42.0901393.....	3-11	42.1010034.....	1-11, 2-3
42.0900571.....	3-25	42.0901394.....	3-11	42.1020001.....	1-3, 1-7
42.0900575.....	3-25	42.0901397.....	3-11	42.1020018.....	1-3, 1-7
42.0900583.....	3-9	42.0901402.....	3-11	42.1030014.....	9-5
42.0900586.....	1-3	42.0901411.....	10-9	42.1030069.....	4-5
42.0900756.....	1-7	42.0901412.....	10-9	42.1060036.....	4-7
42.0900762.....	9-5	42.0901438.....	3-11	42.1060039.....	4-7
42.0900775.....	1-7	42.0901439.....	3-11	42.1060160.....	5-5
42.0900820.....	6-7, 6-9	42.0901479.....	9-9	42.1090008.....	5-3
42.0900821.....	6-7, 6-9	42.0901518.....	3-3	42.1090014.....	5-3
42.0900822.....	6-7, 6-9	42.0901519.....	3-3	42.1090026.....	5-3
42.0900823.....	6-7, 6-9	42.0901520.....	4-3	42.1090031.....	5-5

SECTION 11

Part Number Index (continued)

Part No.	Page	Part No.	Page	Part No.	Page
42.1090034.....	5-5	42.1501519.....	3-7, 3-11, 3-19	42.1540551.....	3-25, 9-5
42.1120038.....	10-13	42.1501611.....	3-7, 3-11, 3-19	42.1540898.....	3-17, 9-3
42.1120061.....	9-9	42.1501621.....	10-7	42.1541054.....	9-7
42.1150171.....	1-11, 2-3, 5-7	42.1501628.....	10-7	42.1541121.....	4-3
42.1500005.....	10-11, 10-13	42.1501630.....	10-7	42.1541237.....	9-3
42.1500142.....	4-3	42.1501636.....	8-7	42.1541342.....	10-9
42.1500182.....	2-5	42.1501637.....	8-9	42.1541519.....	3-13, 3-15
42.1500199.....	4-3	42.1501638.....	8-9	42.1541757.....	9-5
42.1500267.....	10-3	42.1501691.....	4-7	42.1541780.....	3-13, 3-17, 9-5
42.1500268.....	10-3	42.1501790.....	8-9	42.1542021.....	4-3
42.1500269.....	10-3	42.1501853.....	8-7	42.1550136.....	1-11, 2-3
42.1500270.....	10-3	42.1501858.....	8-7	42.1550172.....	1-5
42.1500272.....	10-3	42.1501920.....	10-7	42.1550228.....	1-11, 2-3, 2-5
42.1500273.....	10-3	42.1501921.....	10-7	42.1550309.....	2-5
42.1500276.....	10-7	42.1501922.....	10-7	42.1550428.....	2-5
42.1500294.....	4-3	42.1501991.....	10-7	42.1560000.....	1-9
42.1500338.....	7-3, 7-5	42.1502070.....	10-7	42.1560001.....	1-9
42.1500344.....	10-7	42.1502166.....	3-3, 3-7, 3-11	42.1560004.....	1-9
42.1500355.....	7-3, 7-5	42.1510020.....	3-17	42.1560005.....	5-3, 5-5
42.1500356.....	7-3, 7-5	42.1510044.....	1-3, 1-7	42.1560006.....	5-3, 5-5
42.1500377.....	1-11, 2-3, 2-5	42.1510047.....	1-3, 1-7	42.1570001.....	10-3
42.1500380.....	7-5	42.1510059.....	7-3, 7-5	42.1590024.....	3-17
42.1500381.....	7-3	42.1510060.....	7-3, 7-5	42.1590065.....	4-5
42.1500412.....	5-3, 5-5	42.1510199.....	7-3, 7-5	42.1590066.....	4-5
42.1500472.....	10-7	42.1510214.....	7-3, 7-5	42.4070028.....	3-3
42.1500473.....	10-3	42.1510215.....	7-3, 7-5	42.6000127.....	3-5
42.1500474.....	10-3	42.1520005.....	3-3	42.6002002.....	3-3
42.1500475.....	10-3	42.1520051.....	1-3, 7-5	42.6002005.....	1-3
42.1500483.....	3-3	42.1520068.....	3-3	42.6002007.....	3-3
42.1500523.....	10-3	42.1520073.....	9-9	42.6002008.....	1-3, 1-7
42.1500525.....	10-3	42.1520086.....	3-3	42.6003013.....	4-5
42.1500534.....	10-3	42.1520124.....	3-3	42.6003014.....	4-5
42.1500568.....	10-3	42.1520316.....	7-3, 7-5	42.6003018.....	4-5
42.1500686.....	9-5	42.1520318.....	3-17	42.6003021.....	1-5, 1-7
42.1500875.....	8-7	42.1520664.....	3-3	42.6003024.....	1-5
42.1500893.....	10-3	42.1520749.....	8-7	42.6003025.....	1-5
42.1501047.....	8-7	42.1520757.....	3-3	42.6006005.....	1-9
42.1501048.....	8-7	42.1520759.....	9-9	42.6006012.....	1-9
42.1501207.....	10-3	42.1520760.....	9-9	42.6006037.....	1-9
42.1501208.....	10-3	42.1520761.....	9-9	42.6006063.....	5-3
42.1501279.....	3-17, 3-23	42.1520773.....	3-9, 3-17, 3-19	42.6006071.....	1-9
42.1501283.....	10-3	42.1520774.....	7-3, 7-5	42.6006072.....	1-9
42.1501314.....	3-17	42.1520814.....	1-3, 7-3, 9-9	42.6006074.....	1-9
42.1501318.....	3-17	42.1530028.....	6-7	42.6006075.....	1-9
42.1501324.....	3-19	42.1530054.....	6-7, 6-9	42.6006077.....	1-9
42.1501331.....	10-3	42.1530065.....	6-7, 6-9	42.6006079.....	1-9
42.1501348.....	4-3	42.1540025.....	9-3	42.6006081.....	1-9
42.1501398.....	1-5	42.1540116.....	9-3	42.6006085.....	1-9
42.1501517.....	3-19	42.1540167.....	9-5	42.6006086.....	1-9
42.1501518.....	3-3	42.1540448.....	4-3	42.6006087.....	1-9

Part Number Index (continued)

Part No.	Page	Part No.	Page	Part No.	Page
42.6006088.....	1-9	900498.....	1-9, 3-7, 3-11	903848.....	3-17, 9-9
42.6006089.....	1-9	900499.....	3-3, 10-5	903849.....	4-7
42.6006113.....	1-9	900502.....	9-5	903854.....	6-5
42.6006114.....	1-9	900503.....	9-3	904092.....	3-17, 6-3, 6-5, 10-9
42.6008001.....	3-17	900506.....	3-13	904214.....	9-5
42.6008003.....	3-19	900508.....	1-3	904215.....	1-3, 1-7
42.6008004.....	3-17	900509.....	3-21	904217.....	5-3
42.6008011.....	3-17, 9-5	900512.....	3-15	904245.....	2-5
42.6008013.....	3-17	900537.....	3-7, 3-13, 3-15, 3-17	904246.....	3-21
42.6008018.....	3-17	900549.....	3-7, 3-13	904253.....	1-3
42.6008020.....	3-7, 3-11, 3-17	900665.....	4-5	904324.....	3-15
42.6008021.....	3-7, 3-11, 3-17	900700.....	10-5	904336.....	8-3
42.6008024.....	3-17	900703.....	3-17	904464.....	8-3, 8-5
42.6008027.....	3-17	900709.....	3-7, 3-13, 3-17	904520.....	3-9, 3-17
42.6008052.....	3-7, 3-11, 3-17	900972.....	3-9	904635.....	10-5
42.6008058.....	3-19	901105.....	3-7, 3-13, 3-21, 8-3, 9-5	904674.....	3-17
42.6008072.....	3-7, 3-19	10-11	904744.....	3-13
42.6008073.....	3-7, 3-19	901150.....	1-11, 2-3, 2-5	904763.....	3-21, 4-3
42.6008075.....	3-19	901151.....	1-11, 2-3, 2-5	904768.....	7-3, 7-5
42.6008077.....	3-7, 3-11	901172.....	3-7, 3-13, 9-9	904863.....	6-3, 6-5, 9-5
42.6008088.....	3-9, 3-17	901181.....	1-11, 2-3, 2-5	904871.....	3-9
42.6008089.....	3-9	901182.....	1-11, 2-3, 2-5	905011.....	6-3, 6-5
42.6008092.....	3-17	901292.....	3-23, 4-5	905050.....	1-11, 2-3
42.6008093.....	3-17	901619.....	3-21	905354.....	3-7, 3-13
42.6008104.....	3-7	901633.....	3-21	905401.....	4-5
42.6011009.....	1-5	901763.....	3-9	905456.....	7-3, 7-5
42.6011010.....	1-5	901850.....	3-15	905501.....	3-3, 3-7, 3-13
42.6012005.....	9-9	901937.....	3-13, 3-17, 9-5, 10-13	905582.....	9-9
42.6012006.....	10-13	902193.....	10-5	906243.....	3-9
42.6012007.....	3-5	902300.....	3-7, 3-13, 3-17, 3-23, 9-5	906339.....	3-3
42.6012011.....	3-5	10-13	906349.....	1-3, 1-7, 3-3, 5-5
42.6012018.....	3-5	902364.....	3-7, 3-13, 3-17	906385.....	7-3, 7-5
42-0900036.....	3-9	902367.....	3-7, 3-13, 3-17, 3-21, 4-7	906386.....	7-3, 7-5
42-0901581.....	6-7	8-3, 9-5	906392.....	4-3
601312.....	3-9	902410.....	1-11, 2-3, 2-5	906400.....	1-9, 3-17, 4-7, 6-3, 6-5
65.10083.....	3-25	902532.....	9-3	10-9
900143.....	3-23	902831.....	6-3, 10-11	906401.....	1-5, 1-7, 3-15, 3-17, 6-3
900188.....	3-7, 3-11	902859.....	8-5	906402.....	1-5, 1-7, 1-9, 3-7, 3-13
900366.....	10-13	902884.....	3-17, 4-7	3-21, 4-3, 4-7, 5-3
900369.....	3-3, 3-9, 3-11, 3-17, 10-13	902928.....	10-13	906483.....	3-15
900372.....	10-5	903033.....	3-7, 3-13, 3-17	906492.....	3-7, 3-13
900441.....	9-9	903096.....	7-3, 7-5	906537.....	3-13
900444.....	3-17	903306.....	1-5, 1-7, 3-7, 3-13, 3-19	906548.....	3-7, 3-13
900445.....	9-5	4-3, 6-3, 9-5, 9-9	907057.....	9-5
900480.....	3-11	903376.....	3-25, 9-5	907060.....	3-9, 10-9
900493.....	3-7, 3-11, 3-17, 10-9	903437.....	3-23, 8-3	907146.....	4-3
900494.....	4-3, 8-3, 8-5	903518.....	1-3, 1-7	907168.....	9-5
900495.....	3-17, 4-7, 10-13	903690.....	3-15	907219.....	6-3, 6-5, 6-7, 6-9
900496.....	3-3, 3-7, 3-11	903824.....	3-7, 3-13	907220.....	6-3, 6-5, 6-7, 6-9
900497.....	3-7	903832.....	1-5, 1-7, 1-9	907225.....	6-7

SECTION 11

Part Number Index (continued)

Part No.	Page	Part No.	Page	Part No.	Page
907232.....	3-25				
907234.....	3-5, 9-9				
907270.....	3-5, 4-3, 9-9				
907311.....	6-3, 6-5				
907312.....	6-3, 6-5				
907348.....	6-3, 6-5, 9-5				
907389.....	3-5, 3-9, 4-3, 9-9				
907391.....	1-9				
907392.....	3-13				
907399.....	3-7, 4-3, 9-5, 9-9				
907400.....	3-9				
907465.....	1-9				
907467.....	1-9				
907472.....	3-15				
907510.....	6-7, 6-9				
907521.....	6-5, 6-9				
907554.....	9-5				
907591.....	2-5				
907613.....	4-3				
907614.....	3-5, 3-25, 9-5				
907625.....	8-3, 8-5				
907669.....	9-5				
907673.....	10-5				
907677.....	5-5				
907688.....	3-3				
907689.....	1-9				
907695.....	4-3				
907725.....	3-3				
907757.....	1-11, 2-3				
907768.....	6-3				
907774.....	9-5				
907775.....	3-25				
907777.....	3-3				
907779.....	3-7, 3-13, 3-21, 4-3, 9-5 9-9, 10-11				
907784.....	3-7, 3-13				
907808.....	1-7				
907809.....	1-7				
907811.....	9-11				
907812.....	9-11				
907896.....	7-3, 7-5				
907897.....	7-5				
907912.....	10-9				
908187.....	6-3, 6-5				
908188.....	6-3, 6-5				
908333.....	3-13, 3-15				



© 2010 by Miller-St. Nazianz, Inc.