



PARTS MANUAL

MODEL: MX1012
Commercial Bagger

This parts manual is furnished for your convenience only. All parts must be purchased through an authorized dealer. Call us for a dealer near you.

42.0701920A



P O Box 127
511 East Main St.
St. Nazianz, WI 54232
(920) 773-2121
FAX: (920) 773-1200
Email: info@millerstn.com
www.ag-bag.com

Issue Date: 03/15

IMPORTANT!

For ongoing updates to this Parts Book

Visit us on the web at:

www.ag-bag.com

and click on PARTSMART web.

Check for new updates before placing any orders.

Order parts through your local dealer.



Table of Contents

Section 1 - Frame, Wheel Columns, Steering & Wheel Motors

1.01 Asm: MX1012 Frame Parts.....	6
1.02 Asm: MX1012 Tow Hitch.....	8
1.03 Asm: MX1012 CE TS Wheel Column.....	10
1.04 Asm: MX1012 CE FTS Wheel Column.....	14
1.05 Asm: MX1012 EE TS Wheel Column.....	18
1.06 Asm: MX1012 EE FTS Wheel Column.....	22
1.07 Asm: MX1012 CE Steering.....	26
1.08 Asm: MX1012 EE Steering.....	28
1.09 Asm: MX1012 Gearbox.....	30

Section 2 - Wheels & Tires

2.01 Asm: Wheel & Tire.....	32
-----------------------------	----

Section 3 - Engine, Engine Frame, Air Cleaner, Exhaust & Cooling

3.01 Asm: MX1012 Engine Frame.....	34
3.02 Asm: MX1012 Engine.....	36
3.03 Asm: MX1012 Engine Fitting.....	38
3.04 Asm: MX1012 Cooling Package.....	40
3.05 Asm: MX1012 Engine Fan.....	42
3.06 Asm: MX1012 CAC & Rad Tube.....	44
3.07 Asm: MX1012 Dearation Tank.....	46
3.08 Asm: MX1012 Air Intake.....	48
3.09 Asm: MX1012 Exhaust.....	50
3.10 Engine: QSC MX1012.....	52

Section 4 - Engine Shrouding, Ladder Assembly, Platforms, Safety Signs & Decals

4.01 Asm: MX1012 Op Deck & Railing.....	54
4.02 Asm: MX1012 Ladder.....	56
4.03 Asm: MX1012 Engine Shroud.....	58
4.04 Asm: MX1012 Engine Door.....	60
4.05 Asm: MX1012 Engine Roof.....	62
4.06 Asm: MX1012 Engine Door Frame.....	64
4.07 Asm: MX1012 Engine Deck.....	66
4.08 Asm: Mx1012 Decal Tunnel Side.....	68
4.09 Asm: Mx1012 Decal Feed Table Side.....	70

Section 5 - Fuel Tank, Air Tank, Air System & Air Fittings

5.01 Asm: MX1012 Fuel Tank.....	72
5.02 Asm: MX1012 Air Tank & Dryer.....	74
5.03 Asm: MX1012 Gladhand.....	76
5.04 Asm: MX1012 Air Valve.....	78
5.05 Air Fittings.....	80



Table of Contents (Continued)

Section 6 - Operators Platform & Controls

6.01 Asm: MX1012 Canopy.....	84
6.02 Asm: MX1012 Seat.....	86
6.03 Asm: MX1012 Gauge Panel.....	88
6.04 Asm: MX1012 Joystick.....	90
6.05 Asm: MX1012 Brake Pedal.....	92

Section 7 - Feed Table, Tunnel Cleanout, Tunnel Assembly, Tunnel Extension, Bag Pan, Bag Boom & Cradle

7.01 Asm: Center Feedtable.....	94
7.02 Feed Table Drive Assembly.....	96
7.03 Planetary Gearbox.....	98
7.04 Feed Table Wing Assembly.....	100
7.05 Feed Table Wheel Assembly.....	102
7.06 Hub And Spindle Assembly 8 Bolt.....	104
7.07 Feed Table Lift Assembly.....	106
7.08 Asm: Bag Cradle, MX1012.....	108
7.09 Asm: MX1012 Bag Pan.....	110
7.10 Asm: MX1012 Sliding Floor.....	112
7.11 Asm: MX1012 Stripper Plate.....	114
7.12 Asm: MX1012 Anchor.....	116
7.13 Asm: MX1012 Anchor Winch.....	118
7.14 Asm: MX1012 Bag Boom.....	120
7.15 Tunnel: 10 Ft W/Extension.....	122
7.16 Tunnel: 12 Ft W/ Extension.....	124
7.17 Asm: Feedtable Bumper.....	126
7.18 Asm: Feedtable Skirt.....	128

Section 8 - Rotor & Beater Bars

8.01 Asm: MX1012 Rotor.....	130
8.02 Asm: MX1012 Rotor Slot Filler.....	132
8.03 Asm: MX1012 Upper Beater Bar.....	134
8.04 Asm: MX1012 Lower Beater Bar.....	136

Section 9 - Electrical, Lighting & Wire Harness

9.01 Asm: MX1012 Lighting.....	138
9.02 Rear Transport Lights & Harness.....	140
9.03 Asm: MX1012 Battery.....	142
9.04 Deutsch Connectors.....	144
9.05 Asm: MX1012 Harness & Controller.....	148

Section 10 - Hydraulics & Hydraulic Components

10.01 Asm: MX1012 Hyd Tank.....	150
10.02 Asm: MX1012 Hydrostat.....	154
10.03 Asm: MX1012 Hyd Pump.....	156



Table of Contents

10.04 Asm: MX1012 Hydro Valve.....	158
10.05 Asm: MX1012 Aux Hyd Valve.....	160
10.06 Asm: MX1012 Rotor Drive Motors.....	162
10.07 Motor: BB7 Heavy Duty Hydraulic Breakdown.....	164
10.08 Asm: MX1012 Floor Cylinder.....	168
10.09 Asm: MX1012 Hyd Jack.....	170
10.10 Asm: MX1012 Jack Sliders.....	172
10.11 Kit: MX1012 Hyd Tubing.....	174
10.12 Asm: MX1012 Hyd Tubing.....	176
10.13 Asm: MX1012 Frame Fittings.....	178
10.14 Manifold: Auxiliary.....	180
10.15 Manifold: Hydrostat.....	184
10.16 Hydraulic Oil Glo Dye & Kits.....	186
10.17 O-Ring Service Kit.....	188

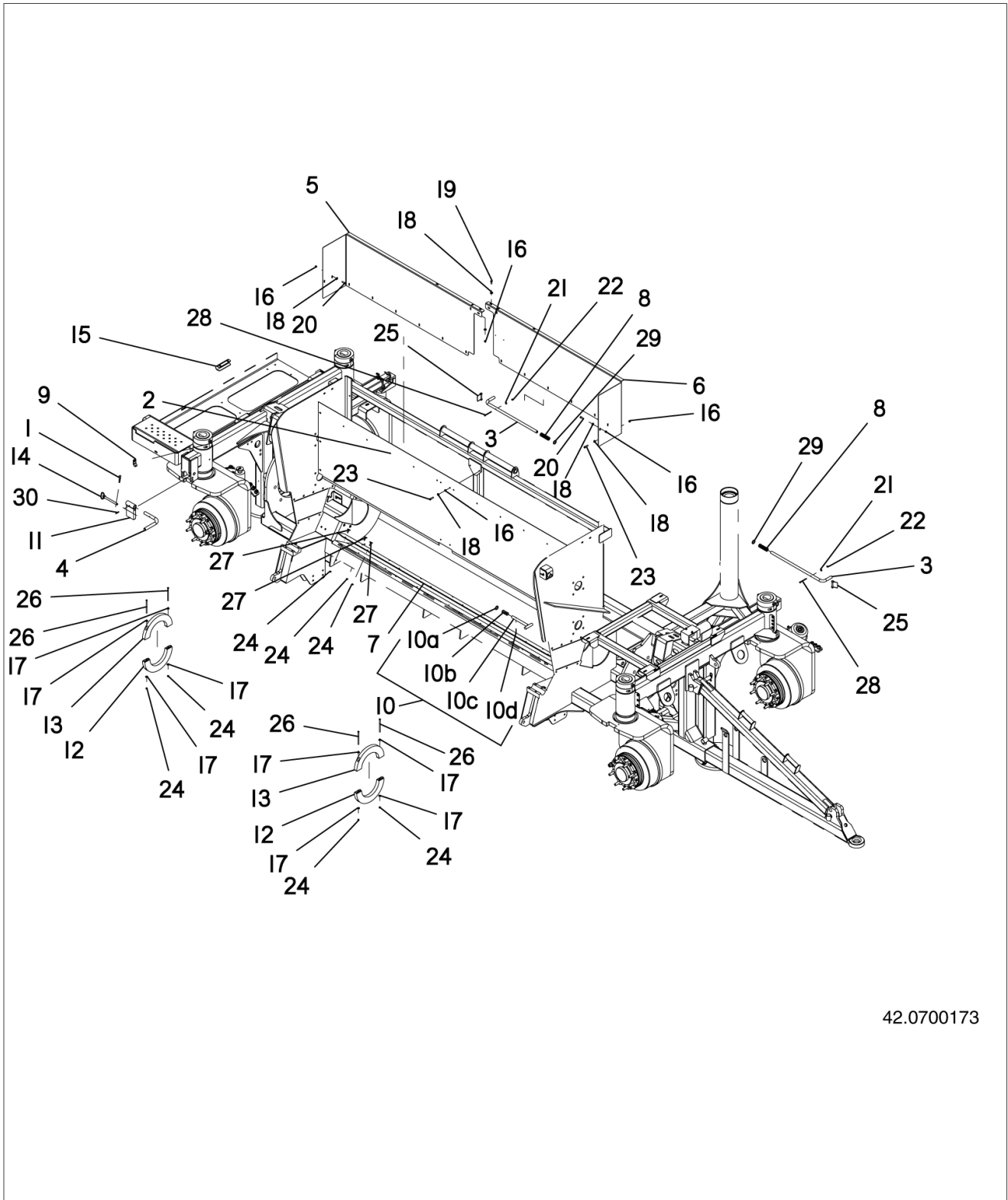
Section 11 - Kits & Misc. Items

11.01 Asm: MX1012 Parts Package.....	192
--------------------------------------	-----

Part Number Index.....	194
-------------------------------	------------

Part Description Index.....	199
------------------------------------	------------

1.01 Asm: MX1012 Frame Parts

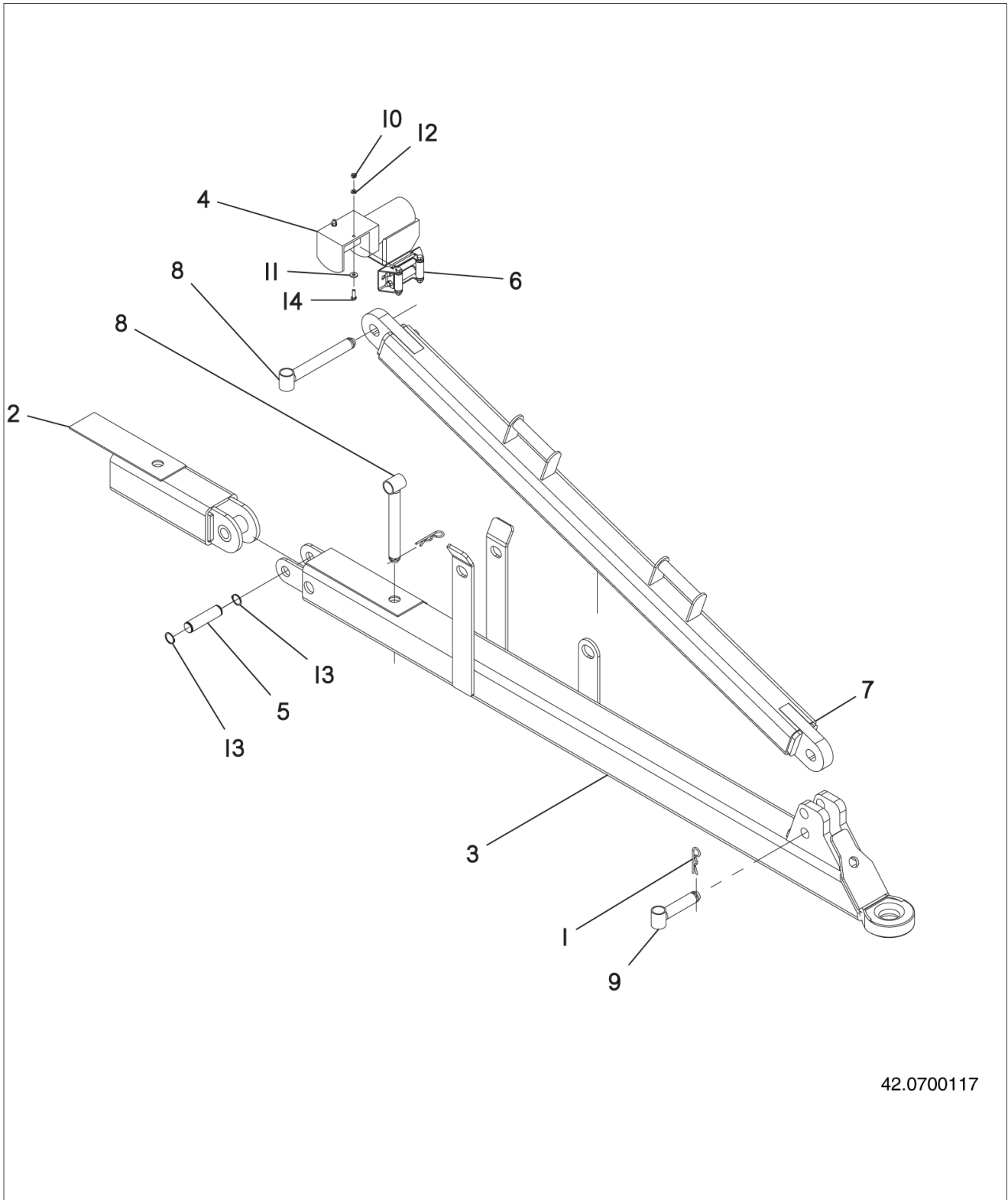


42.0700173

1.01 Asm: MX1012 Frame Parts

Item	Part No.	Quantity	Description
1	05.73120	1	Pin - Hair 5/32 x 2-15/16 Znc
2	42.0700445.8	1	Plate: Hopper Wall
3	42.0700532	2	Pin: Tunnel Lock
4	42.0700872	1	Pin: Wheel Lock Pivot
5	42.0701553.8	1	Plate: Feed Table Riser EE
6	42.0701554.8	1	Plate: Feed Table Riser CE
7	42.0701986	1	UHMW: Virgin 1/4 x 6 x 113
8	42.0702078	2	Spring: Tunnel Lock Retention
9	42.0800571	1	Plate, Pulley Mount
10	NSS	1	Feedtable Lock Pin Asm
10a	908157	1	Washer, Flat, 7/8 in. Stainless Steel Special
10b	908152	1	Spring, Compression, 1 in. OD x 2.5 in.
10c	42.0800697	1	Pin, Feed Table Lock
10d	09.72003	1	Pin, Roll, 3/16 x 2 in.
11	42.0802125.8	1	Lock: Transport
12	42.1202050	2	Seal, Rotor Cover-Inner
13	42.1202051	2	Seal, Rotor Cover-Outer
14	42.1550172	1	Pin - Hitch .625 Dia x 4
15	44.25781	10	Shield: Hose Protector 6 In.
16	900366	19	Hhdnut - 3/8-16
17	900494	8	Washer, 5/16 Flat
18	901105	34	Washer - Flat 3/8 in. SAE
19	902300	14	Hhdblt - G5 3/8x1 in. Yellow Zinc
20	902367	4	Bolt: Hhd G5 3/8x1-1/4 In.
21	904007	2	Washer, Flat 1/4 in.
22	904092	2	Nut: Hex Nylok Cntr 1/4 In.
23	906397	11	Hhdblt, 3/8-16 x 1-1/2 Gr 5 Ft
24	906483	19	Hhdnut, 5/16-18 Nylock
25	907107	2	Lynch Pin, 5/16 x 2.5
26	907617	4	Hhdblt, 5/16-18 x 5-1/2, Gr 5
27	907726	15	Bolt, Elevator 5/16-18 x 1-1/4 in. Yellow Zinc
28	907823	2	Hhdblt - G5 1/4-20 x 3-1/4
29	908157	2	Flatwasher, 7/8 Stainless Steel Special
30	908560	1	Pin: 1/4 x 1-1/2 Hd Spiral

1.02 Asm: MX1012 Tow Hitch



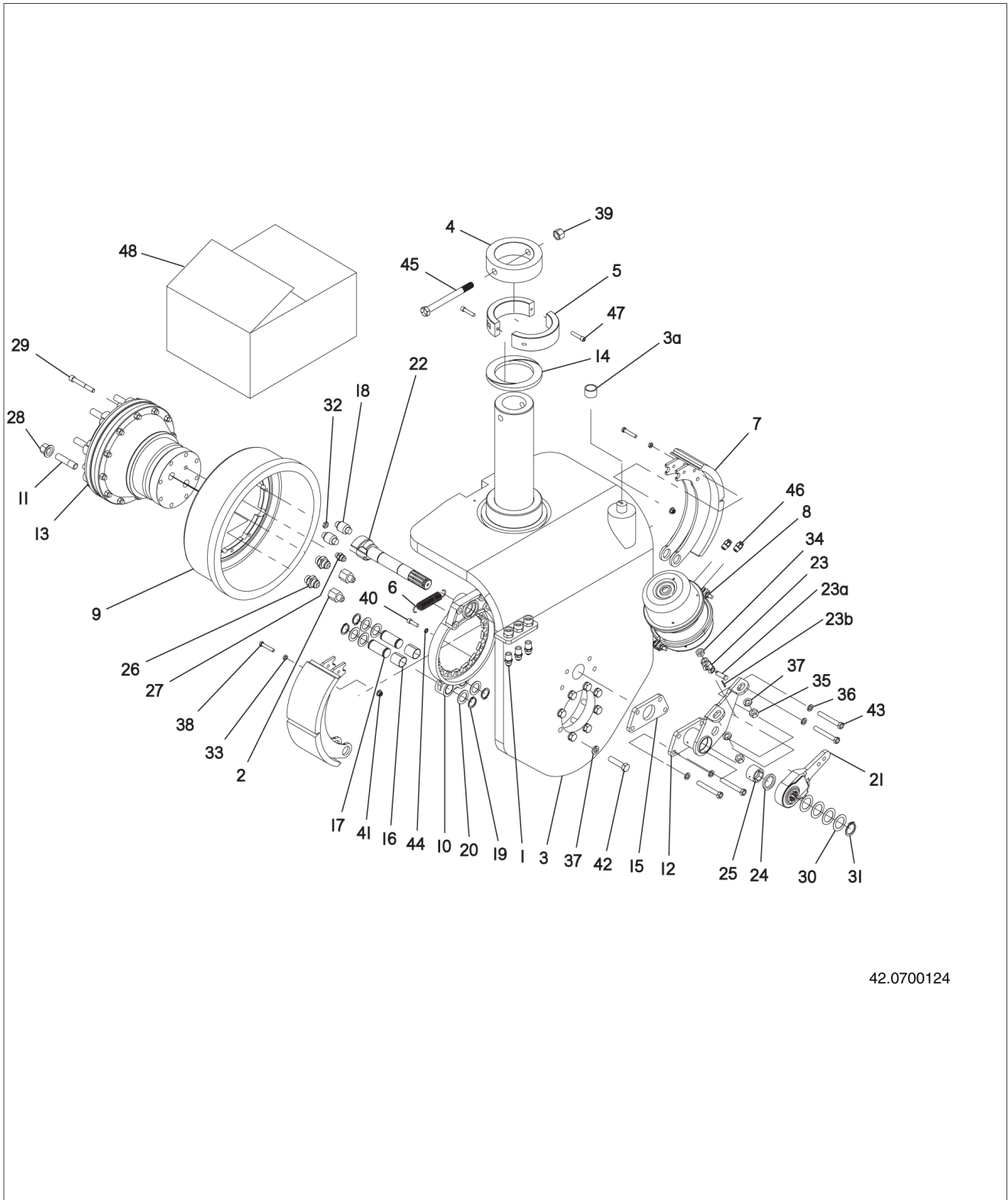
42.0700117

1.02 Asm: MX1012 Tow Hitch

Item	Part No.	Quantity	Description
1	09.73504	3	Hairpin, .177 x 3-11/16
2	42.0700797	1	Wdmt: Extension, Hitch
3	42.0700825	1	Wdmt: Pintle Hitch
4	42.0700993	1	Winch: Warn 1700 W/remote
5	42.0701869	1	Pin: Pintle Hitch
6	42.0702221	1	Fairlead: Hitch Winch
7	42.0800861	1	Wdmt: Pintle Hitch Brace
8	42.1110018	2	Pin, Pintle Hitch 1-1/4 x 9-5/8
9	42.1120046	1	Pin, Pintle Hitch Brace 1-1/4 x 5-1/4
10	900365	2	Hhdnut - 5/16-18
11	900494	2	Washer, 5/16 Flat
12	900503	2	Washer - Lock 5/16 in.
13	900971	2	Ring: Snap - Ext 1.156 In.id
14	902859	2	Bolt: Hhd G5 5/16 x 1 In. Yellow Zinc

Section 1

1.03 Asm: MX1012 CE TS Wheel Column



42.0700124

1.03 Asm: MX1012 CE TS Wheel Column

Item	Part No.	Quantity	Description
1	07.17862	3	Adapter, 1/2 M JIC To 1/2 MPT
2	32.01948	2	Adapter, 3/4 F JIC To 1/2 M JIC
3	42.0700696.8	1	Wdmt: CE TS Wheel Column
3a	42.1502137	1	Bushing (Included with Item 3)
4	42.0700853.8	1	Collar: MX1012 Column
5	42.0701123	2	Collar: Split
6	42.0800836	1	Spring, Brake
7	42.0800849	2	Brake Shoe, Modified
8	42.0801064	1	Brake, Comb Spring 30/30 (mod)
9	42.1010057.8	1	Drum, Brake - Machined
10	42.1010058	1	Spider, Brake (mod Valmet)
11	42.1201000	8	Stud, Wheel Drive - Class 5
12	42.1201012.8	1	Bracket, S Cam Shaft - Wheel Brake
13	42.1201018.5	1	Drive, Wheel Class 5 Blk Bruin - Mchnd
14	42.1201023	1	Spacer - Wheel Column, Brnz
15	42.1201203.8	1	Plate, S Cam Brkt Clmn Mnt
16	42.1501178	2	Bushing, Brake Shoe Pin
17	42.1501178	2	Pin, Brake Shoe
18	42.1501178	2	Roller, Brake Shoe
19	42.1501178	4	Ring, Snap
20	42.1501178	6	Washer, Brake Shoe
21	42.1501180.8	1	Adjuster, Slack
22	42.1501181	1	Cam, S
23	42.1501185	1	Clevis, Air Can
23a	906507	1	Pin (Included With Clevis)
23b	900529	1	Pin (Included With Clevis)
24	42.1501189	1	Seal, Cam Brake
25	42.1501190	1	Bushing, Cam
26	42.1540321	2	Adapter, Black Bruin 12 F 4 OMXS
27	42.1540355	1	Adapter, Black Bruin 8 F 4 OMXS
28	42.1550151	8	Nut - Lug Flanged 3/4 in. Nf W183
29	42.1550360	10	Sochdblt - 12mmx90mm G12.9 Din912
30	42.1550380	4	Washer, Cam
31	42.1550381	1	Ring, Snap
32	42.1550411	10	Hhdnut - M12-1.75 Jam
33	900358	2	Hhd Jamnut, 3/8-16
34	900360	1	Hhd Jam Nut, 5/8-18 Fin
35	900371	2	Hhdnut - 5/8-11
36	900506	4	Washer - Lock, 1/2
37	900508	10	Lockwasher, 5/8 Yellow Zinc
38	901633	2	Hhdblt - G5 3/8 x 2

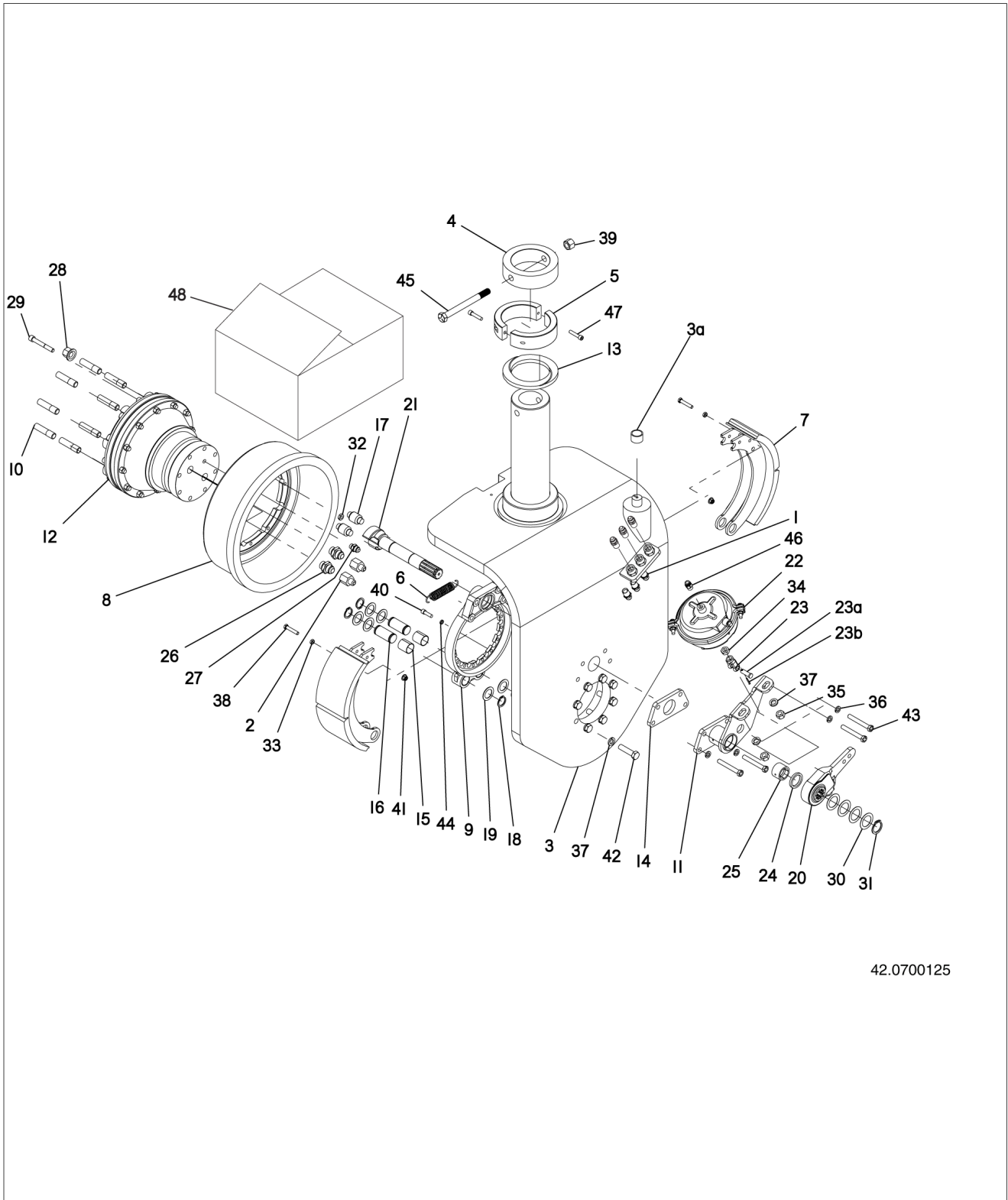
Section 1

1.03 Asm: MX1012 CE TS Wheel Column

Item	Part No.	Quantity	Description
39	908627	1	Nut: Hex Jam Nylok 3/4-10 YZ
40	907298	16	Shcs, 3/8-16 x 1-1/4 in.
41	907779	2	Hhdnut - Nylon Lk Flng 3/8-16 Yellow Zinc
42	907844	8	Hhdbl, G 10.9 M16 x 65
43	907961	4	Hhdbl, Gr8 1/2-13 x 3-3/4
44	908144	16	Lockwasher, 3/8 Spcl
45	908210	1	Bolt 3/4-Unc x 8 Gr5
46	908480	2	Connector: 3/8 MPT x 3/8 Tube
47	908547	2	Screw: Shd 3/8-16 x 1-3/4 Yellow Zinc
48	42.1501178	1	Kit, Brake hardware (Includes Items 16-20)

This Page Intentionally Left Blank

1.04 Asm: MX1012 CE FTS Wheel Column



42.0700125

1.04 Asm: MX1012 CE FTS Wheel Column

Item	Part No.	Quantity	Description
1	07.17862	6	Adapter, 1/2 M JIC To 1/2 MPT
2	32.01948	2	Adapter, 3/4 F JIC To 1/2 M JIC
3	42.0700695.8	1	Wdmt: CE FTS Wheel Column
3a	42.1502137	1	Bushing (Included with Item 3)
4	42.0700853.8	1	Collar: MX1012 Column
5	42.0701123	2	Collar: Split
6	42.0800836	1	Spring, Brake
7	42.0800849	2	Brake Shoe, Modified
8	42.1010057	1	Drum, Brake - Machined
9	42.1010058	1	Spider, Brake (mod Valmet)
10	42.1201000	8	Stud, Wheel Drive - Class 5
11	42.1201012.8	1	Bracket, S Cam Shaft - Wheel Brake
12	42.1201018.5	1	Drive, Wheel Class 5 Blk Bruin - Mchnd
13	42.1201023	1	Spacer - Wheel Column, Brnz
14	42.1201203.8	1	Plate, S Cam Brkt Clmn Mnt
15	42.1501178	2	Bushing, Brake Shoe Pin
16	42.1501178	2	Pin, Brake Shoe
17	42.1501178	2	Roller, Brake Shoe
18	42.1501178	4	Ring, Snap
19	42.1501178	6	Washer, Brake Shoe
20	42.1501180.8	1	Adjuster, Slack
21	42.1501181	1	Cam, S
22	42.1501184.8	1	Can, Air
23	42.1501185	1	Clevis, Air Can
23a	906507	1	Pin (Included With Clevis)
23b	900529	1	Pin (Included With Clevis)
24	42.1501189	1	Seal, Cam Brake
25	42.1501190	1	Bushing, Cam
26	42.1540321	2	Adapter, Black Bruin 12 F 4 OMXS
27	42.1540355	1	Adapter, Black Bruin 8 F 4 OMXS
28	42.1550151	8	Nut - Lug Flanged 3/4 in. Nf W183
29	42.1550360	10	Sochdblt - 12mmx90mm G12.9 Din912
30	42.1550380	4	Washer, Cam
31	42.1550381	1	Ring, Snap
32	42.1550411	10	Hhdnut - M12-1.75 Jam
33	900358	2	Hhd Jamnut, 3/8-16
34	900360	1	Hhd Jam Nut, 5/8-18 Fin
35	900371	2	Hhdnut - 5/8-11
36	900506	4	Washer - Lock, 1/2
37	900508	10	Lockwasher, 5/8 Yellow Zinc
38	901633	2	Hhdblt - G5 3/8 x 2

Section 1

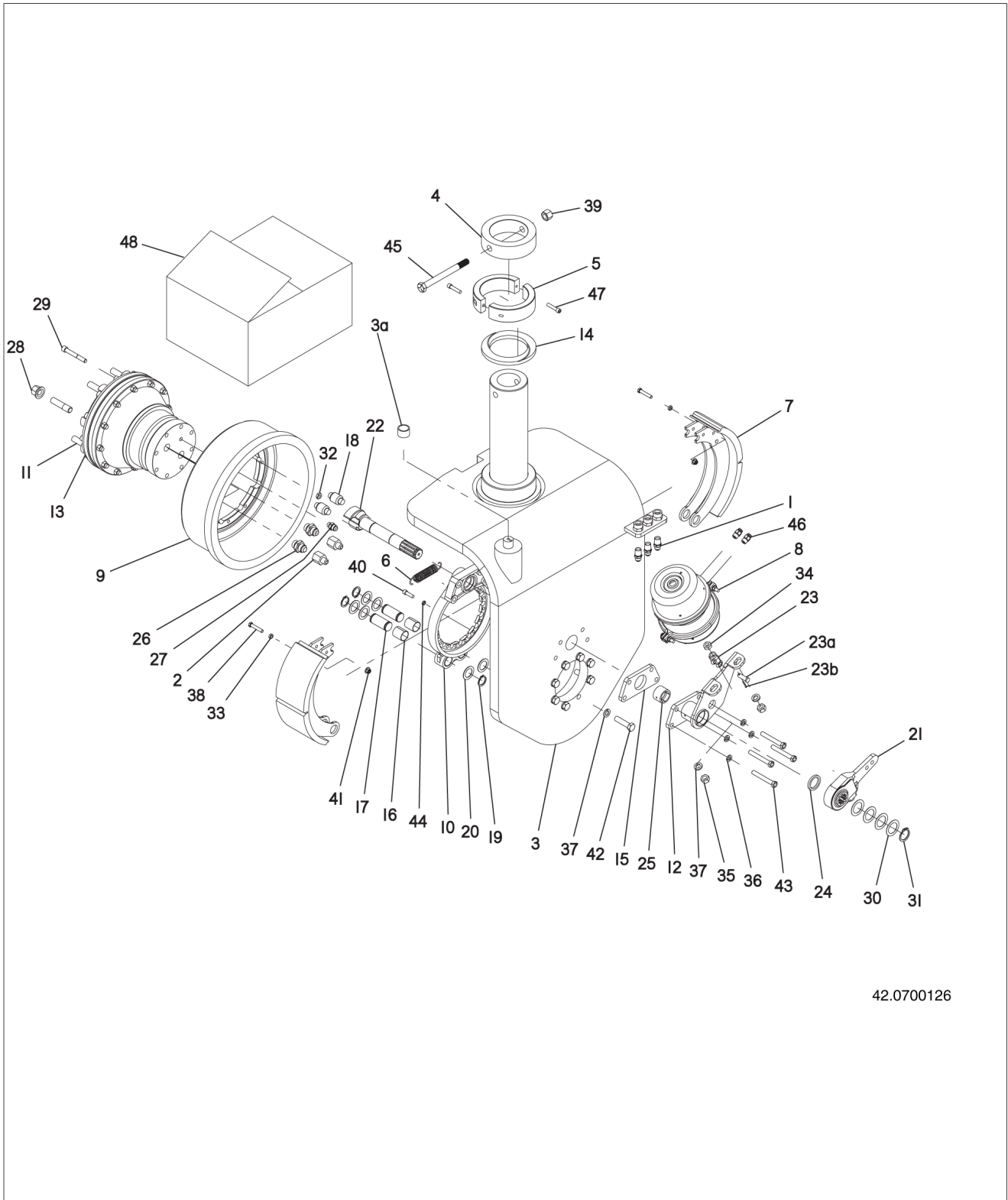
1.04 Asm: MX1012 CE FTS Wheel Column

Item	Part No.	Quantity	Description
39	908627	1	Nut: Hex Jam Nylok 3/4-10 YZ
40	907298	16	Shcs, 3/8-16 x 1-1/4 in.
41	907779	2	Hhdnut - Nylon Lk Flng 3/8-16 Yellow Zinc
42	907844	8	Hhdbl, G 10.9 M16 x 65
43	907961	4	Hhdbl, Gr8 1/2-13 x 3-3/4
44	908144	16	Lockwasher, 3/8 Spcl
45	908210	1	Bolt 3/4-Unc x 8 Gr5
46	908480	1	Connector: 3/8 MPT x 3/8 Tube
47	908547	2	Screw: Shd 3/8-16 x 1-3/4 Yellow Zinc
48	42.1501178	1	Kit, Brake hardware (Includes Items 15-19)

This Page Intentionally Left Blank

Section 1

1.05 Asm: MX1012 EE TS Wheel Column



42.0700126

1.05 Asm: MX1012 EE TS Wheel Column

Item	Part No.	Quantity	Description
1	07.17862	3	Adapter, 1/2 M JIC To 1/2 MPT
2	32.01948	2	Adapter, 3/4 F JIC To 1/2 M JIC
3	42.0700693.8	1	Wdmt: EE TS Wheel Column
3a	42.1502137	1	Bushing (Included with Item 3)
4	42.0700853.8	1	Collar: MX1012 Column
5	42.0701123	2	Collar: Split
6	42.0800836	1	Spring, Brake
7	42.0800849	2	Brake Shoe, Modified
8	42.0801064	1	Brake, Comb Spring 30/30 (mod)
9	42.1010057.8	1	Drum, Brake - Machined
10	42.1010058	1	Spider, Brake (mod Valmet)
11	42.1201000	8	Stud, Wheel Drive - Class 5
12	42.1201012.8	1	Bracket, S Cam Shaft - Wheel Brake
13	42.1201018.5	1	Drive, Wheel Class 5 Blk Bruin - Mchnd
14	42.1201023	1	Spacer - Wheel Column, Brnz
15	42.1201203.8	1	Plate, S Cam Brkt Clmn Mnt
16	42.1501178	2	Bushing, Brake Shoe Pin
17	42.1501178	2	Pin, Brake Shoe
18	42.1501178	2	Roller, Brake Shoe
19	42.1501178	4	Ring, Snap
20	42.1501178	6	Washer, Brake Shoe
21	42.1501180.8	1	Adjuster, Slack
22	42.1501181	1	Cam, S
23	42.1501185	1	Clevis, Air Can
23a	906507	1	Pin (Included With Clevis)
23b	900529	1	Pin (Included With Clevis)
24	42.1501189	1	Seal, Cam Brake
25	42.1501190	1	Bushing, Cam
26	42.1540321	2	Adapter, Black Bruin 12 F 4 OMXS
27	42.1540355	1	Adapter, Black Bruin 8 F 4 OMXS
28	42.1550151	8	Nut - Lug Flanged 3/4 in. Nf W183
29	42.1550360	10	Sochdblt - 12mmx90mm G12.9 Din912
30	42.1550380	4	Washer, Cam
31	42.1550381	1	Ring, Snap
32	42.1550411	10	Hhdnut - M12-1.75 Jam
33	900358	2	Hhd Jamnut, 3/8-16
34	900360	1	Hhd Jam Nut, 5/8-18 Fin
35	900371	2	Hhdnut - 5/8-11
36	900506	4	Washer - Lock, 1/2
37	900508	10	Lockwasher, 5/8 Yellow Zinc
38	901633	2	Hhdblt - G5 3/8 x 2

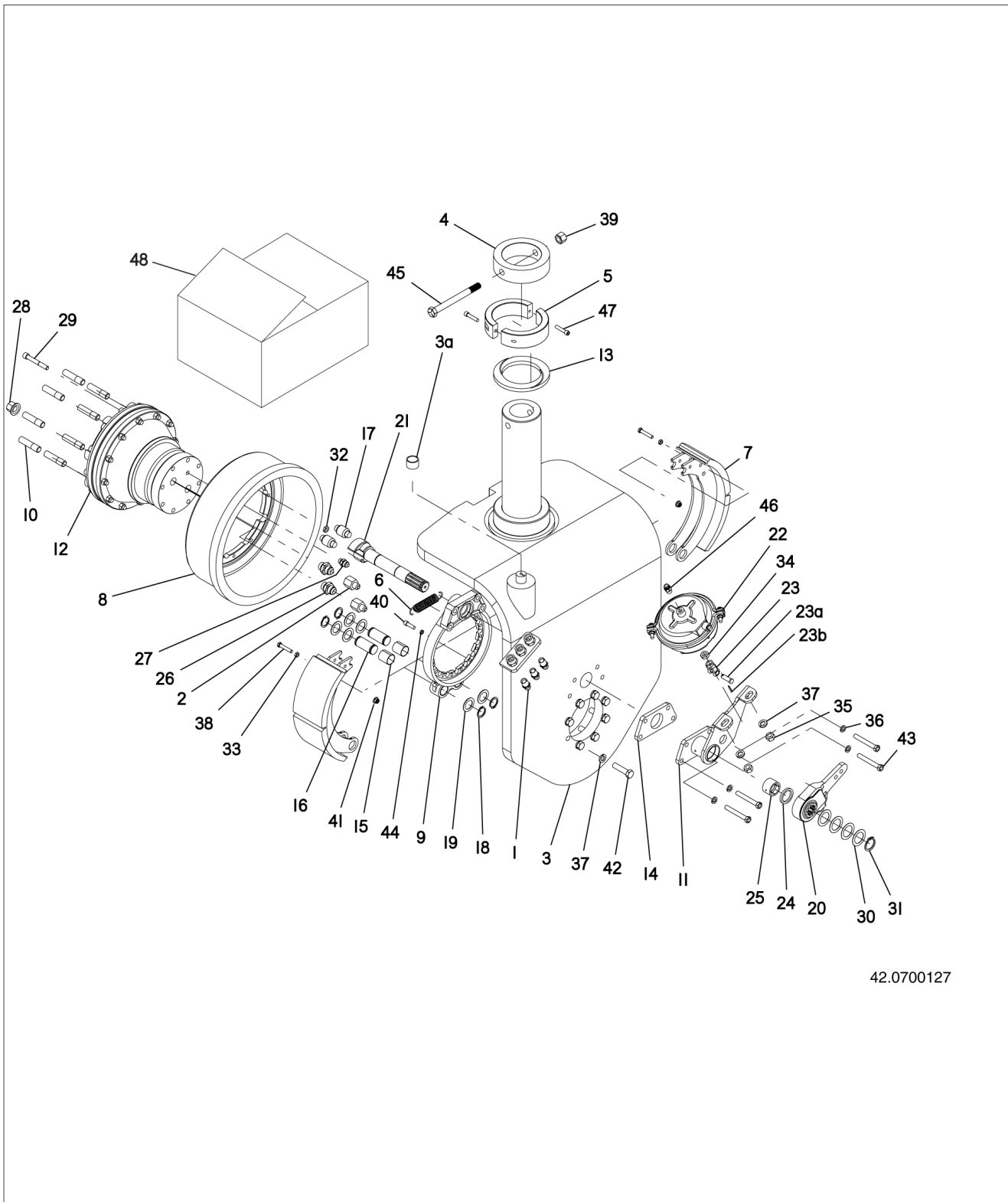
Section 1

1.05 Asm: MX1012 EE TS Wheel Column

Item	Part No.	Quantity	Description
39	908627	1	Nut: Hex Jam Nylok 3/4-10 YZ
40	907298	16	Shcs, 3/8-16 x 1-1/4 in.
41	907779	2	Hhdnut - Nylon Lk Flng 3/8-16 Yellow Zinc
42	907844	8	Hhdbl, G 10.9 M16 x 65
43	907961	4	Hhdbl, Gr8 1/2-13 x 3-3/4
44	908144	16	Lockwasher, 3/8 Spcl
45	908210	1	Bolt 3/4-Unc x 8 Gr5
46	908480	2	Connector: 3/8 MPT x 3/8 Tube
47	908547	2	Screw: Shd 3/8-16 x 1-3/4 Yellow Zinc
48	42.1501178	1	Kit, Brake hardware (Includes Items 16-20)

This Page Intentionally Left Blank

1.06 Asm: MX1012 EE FTS Wheel Column



42.0700127

1.06 Asm: MX1012 EE FTS Wheel Column

Item	Part No.	Quantity	Description
1	07.17862	3	Adapter, 1/2 M JIC To 1/2 MPT
2	32.01948	2	Adapter, 3/4 F JIC To 1/2 M JIC
3	42.0700692.8	1	Wdmt: EE FTS Wheel Column
3a	42.1502137	1	Bushing (Included with Item 3)
4	42.0700853.8	1	Collar: MX1012 Column
5	42.0701123	2	Collar: Split
6	42.0800836	1	Spring, Brake
7	42.0800849	2	Brake Shoe, Modified
8	42.1010057.8	1	Drum, Brake - Machined
9	42.1010058	1	Spider, Brake (mod Valmet)
10	42.1201000	8	Stud, Wheel Drive - Class 5
11	42.1201012.8	1	Bracket, S Cam Shaft - Wheel Brake
12	42.1201018.5	1	Drive, Wheel Class 5 Blk Bruin - Mchnd
13	42.1201023	1	Spacer - Wheel Column, Brnz
14	42.1201203.8	1	Plate, S Cam Brkt Clmn Mnt
15	42.1501178	2	Bushing, Brake Shoe Pin
16	42.1501178	2	Pin, Brake Shoe
17	42.1501178	2	Roller, Brake Shoe
18	42.1501178	4	Ring, Snap
19	42.1501178	6	Washer, Brake Shoe
20	42.1501180.8	1	Adjuster, Slack
21	42.1501181	1	Cam, S
22	42.1501184.8	1	Can, Air
23	42.1501185	1	Clevis, Air Can
23a	906507	1	Pin (Included With Clevis)
23b	900529	1	Pin (Included With Clevis)
24	42.1501189	1	Seal, Cam Brake
25	42.1501190	1	Bushing, Cam
26	42.1540321	2	Adapter, Black Bruin 12 F 4 OMXS
27	42.1540355	1	Adapter, Black Bruin 8 F 4 OMXS
28	42.1550151	8	Nut - Lug Flanged 3/4 in. Nf W183
29	42.1550360	10	Sochdblt - 12mmx90mm G12.9 Din912
30	42.1550380	4	Washer, Cam
31	42.1550381	1	Ring, Snap
32	42.1550411	10	Hhdnut - M12-1.75 Jam
33	900358	2	Hhd Jamnut, 3/8-16
34	900360	1	Hhd Jam Nut, 5/8-18 Fin
35	900371	2	Hhdnut - 5/8-11
36	900506	4	Washer - Lock, 1/2
37	900508	10	Lockwasher, 5/8 Yellow Zinc
38	901633	2	Hhdblt - G5 3/8 x 2

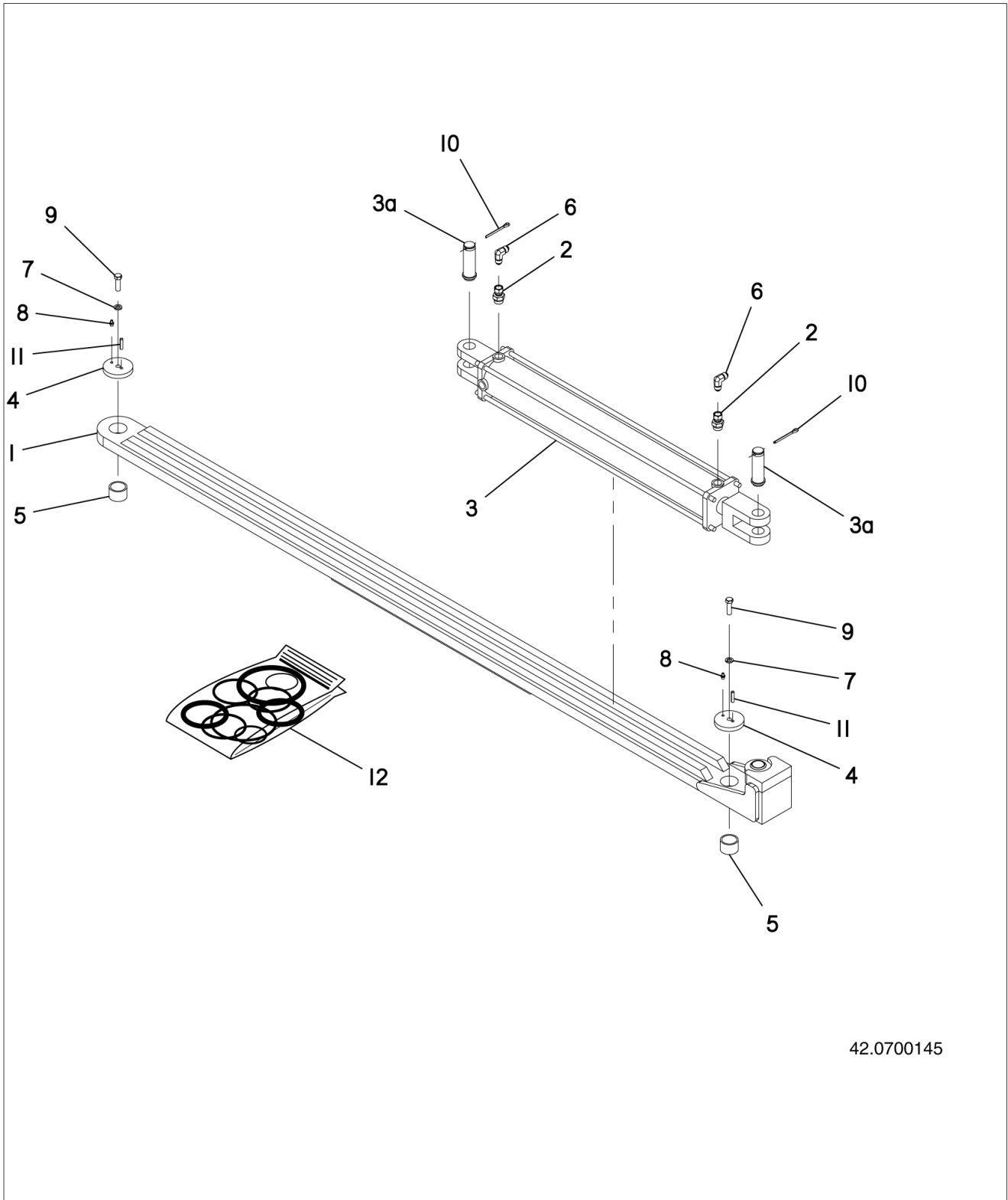
Section 1

1.06 Asm: MX1012 EE FTS Wheel Column

Item	Part No.	Quantity	Description
39	908627	1	Nut: Hex Jam Nylok 3/4-10 YZ
40	907298	16	Shcs, 3/8-16 x 1-1/4 in.
41	907779	2	Hhdnut - Nylon Lk Flng 3/8-16 Yellow Zinc
42	907844	8	Hhdbl, G 10.9 M16 x 65
43	907961	4	Hhdbl, Gr8 1/2-13 x 3-3/4
44	908144	16	Lockwasher, 3/8 Spcl
45	908210	1	Bolt 3/4-Unc x 8 Gr5
46	908480	1	Connector: 3/8 MPT x 3/8 Tube
47	908547	2	Screw: Shd 3/8-16 x 1-3/4 Yellow Zinc
48	42.1501178	1	Kit, Brake hardware (Includes Items 15-19)

This Page Intentionally Left Blank

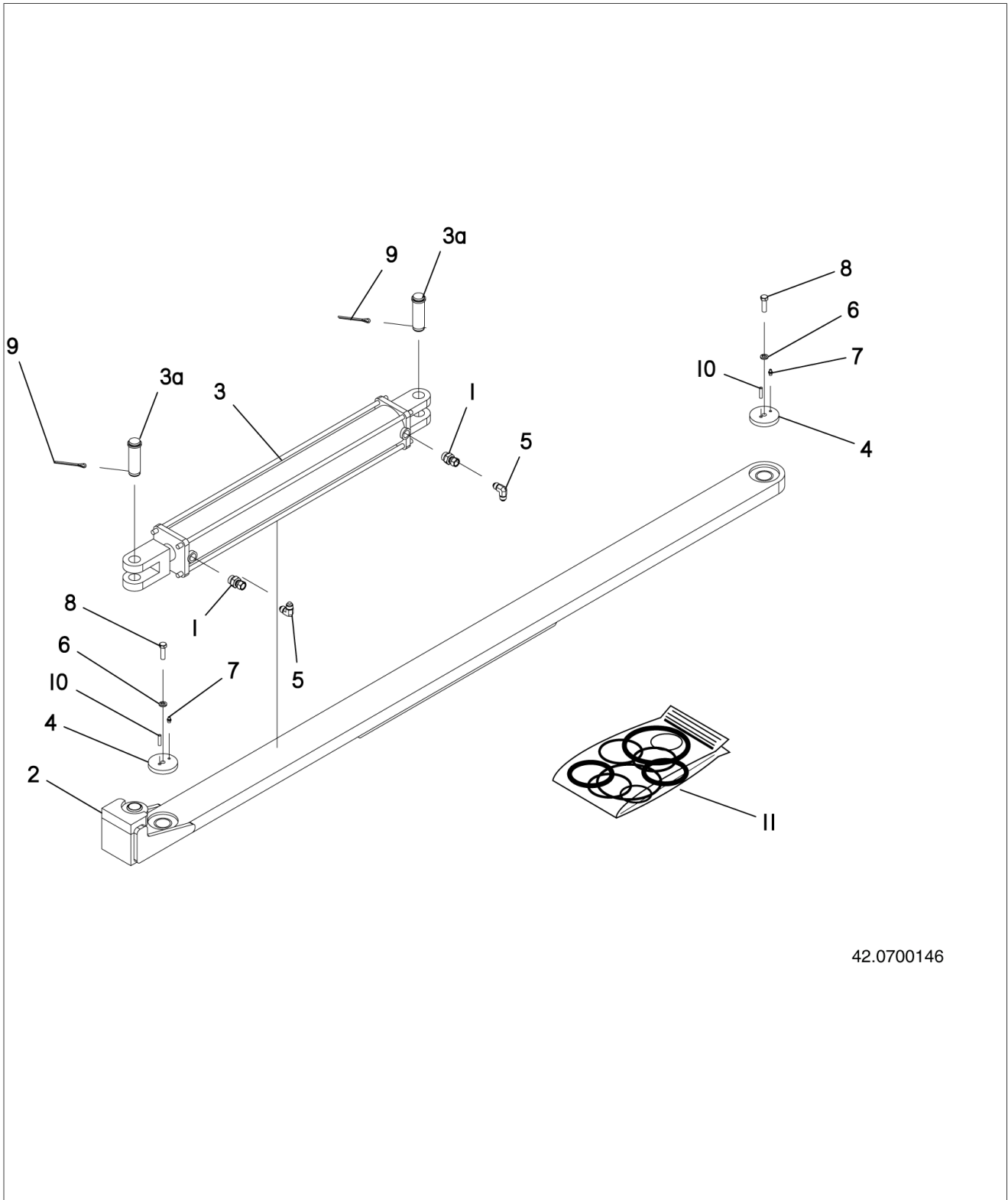
1.07 Asm: MX1012 CE Steering



1.07 Asm: MX1012 CE Steering

Item	Part No.	Quantity	Description
1	42.0702088.8	1	Wdmt: Tie Rod, Steering
2	42.0701788	2	Adapter: -08 ORB x -06 FJIC
3	42.0802330	1	Hyd Cylinder, 3 in. x 24 in. ORB
3a	42.1542091	2	Pin, Clevis
4	42.1010088.8	2	Washer, Steering Tie Rod
5	42.1502137	2	Bushing, Steering Tie Rod
6	42.1540679	2	Elbow: 90 Union #6 MJ x #6 MJ
7	900504	2	Washer-Lock 3/8 in.
8	900538	2	Grease Fitting, 1/4-28
9	902367	2	Hhdblt, Gr 5, 3/8-16 x 1-1/4
10	907427	2	Cotter Pin, 3/16 x 2 Stainless Steel
11	907532	2	Pin - Roll 1/4 in. x 1 in. Std. Coiled
12	42.1500238	1	Seal Kit, Hydraulic Cylinder

1.08 Asm: MX1012 EE Steering

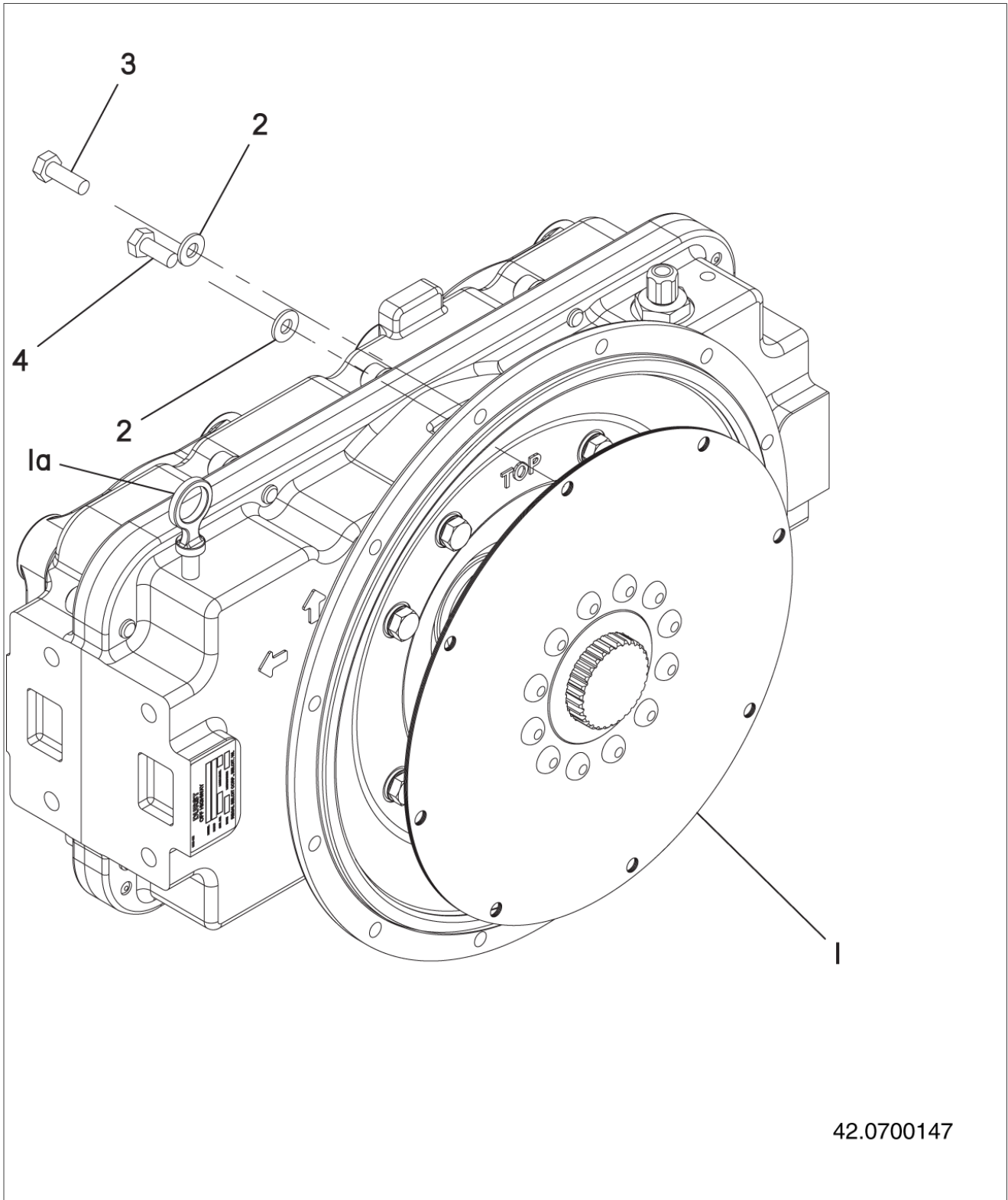


42.0700146

1.08 Asm: MX1012 EE Steering

Item	Part No.	Quantity	Description
1	42.0701788	2	Adapter: -08 ORB x -06 FJIC
2	42.0702088.8	1	Wdmt: Tie Rod Steering
3	42.0802330	1	Cylinder: 3 In x 24 In ORB Hyd
3a	42.1542091	2	Pin: Clevis
4	42.1010088.8	2	Washer: Steering Tie Rod
5	42.1540679	2	Elbow: 90 Union #6 MJ x #6 MJ
6	900504	2	Washer: Lock 3/8 In.
7	900538	2	Zerk: Grease - 1/4-28 taper
8	902367	2	Bolt: Hhd G5 3/8x1-1/4 In.
9	907427	2	Pin: Stainless Steel Cotter 3/16 x 2 In.
10	907532	2	Pin: Roll 1/4 x 1 In. Std. Coiled
11	42.1500238	1	Seal Kit, Hydraulic Cylinder

1.09 Asm: MX1012 Gearbox

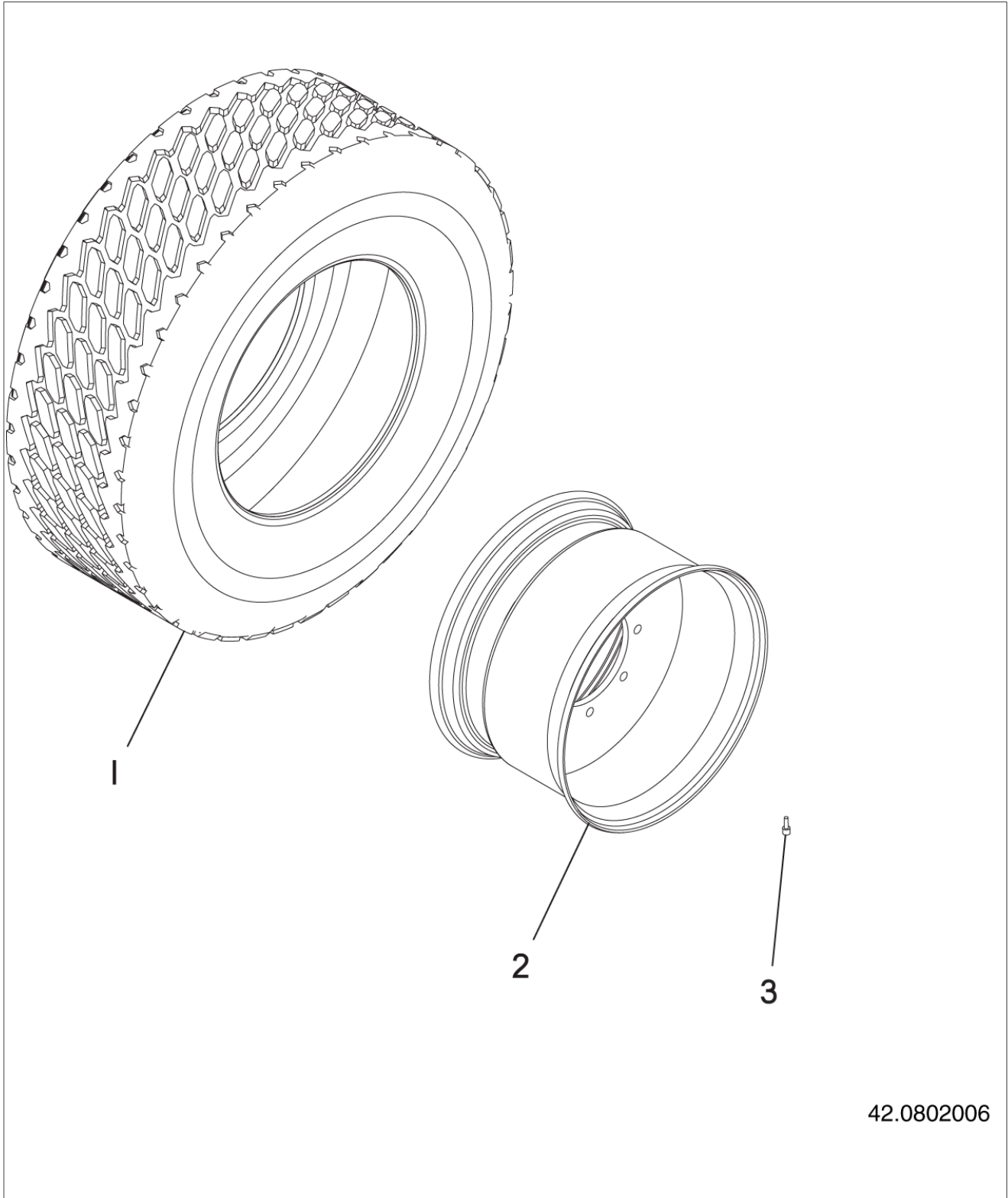


42.0700147

1.09 Asm: MX1012 Gearbox

Item	Part No.	Quantity	Description
1	42.0701965	1	Gearbox: Mx1012 Durst
1a	42.0702171	1	Dipstick: Durst Gearbox
2	901105	20	Washer - Flat 3/8 in. SAE
3	907745	12	Hhdbl, Gr 10.9, M10-1.5 x 30mm
4	907829	8	Hhdbl, Gr 8 3/8-16 x 1 in.
	42.0702060	1	Bearing: Ball (Not Shown)
	42.0702061	1	Seal: Input (Not Shown)
	42.0702062	1	O-Ring: Input Shaft (Not Shown)
	42.0702063	1	Ring; Retaining (Not Shown)
	42.0702064	1	Plug: Expansion (Not Shown)
	42.0702065	1	O-Ring: Pump Pad (Not Shown)
	42.0702066	1	O-Ring: Pump Pad (Not Shown)
	42.0702067	1	O-Ring: Spline Adapter (Not Shown)

2.01 Asm: Wheel & Tire

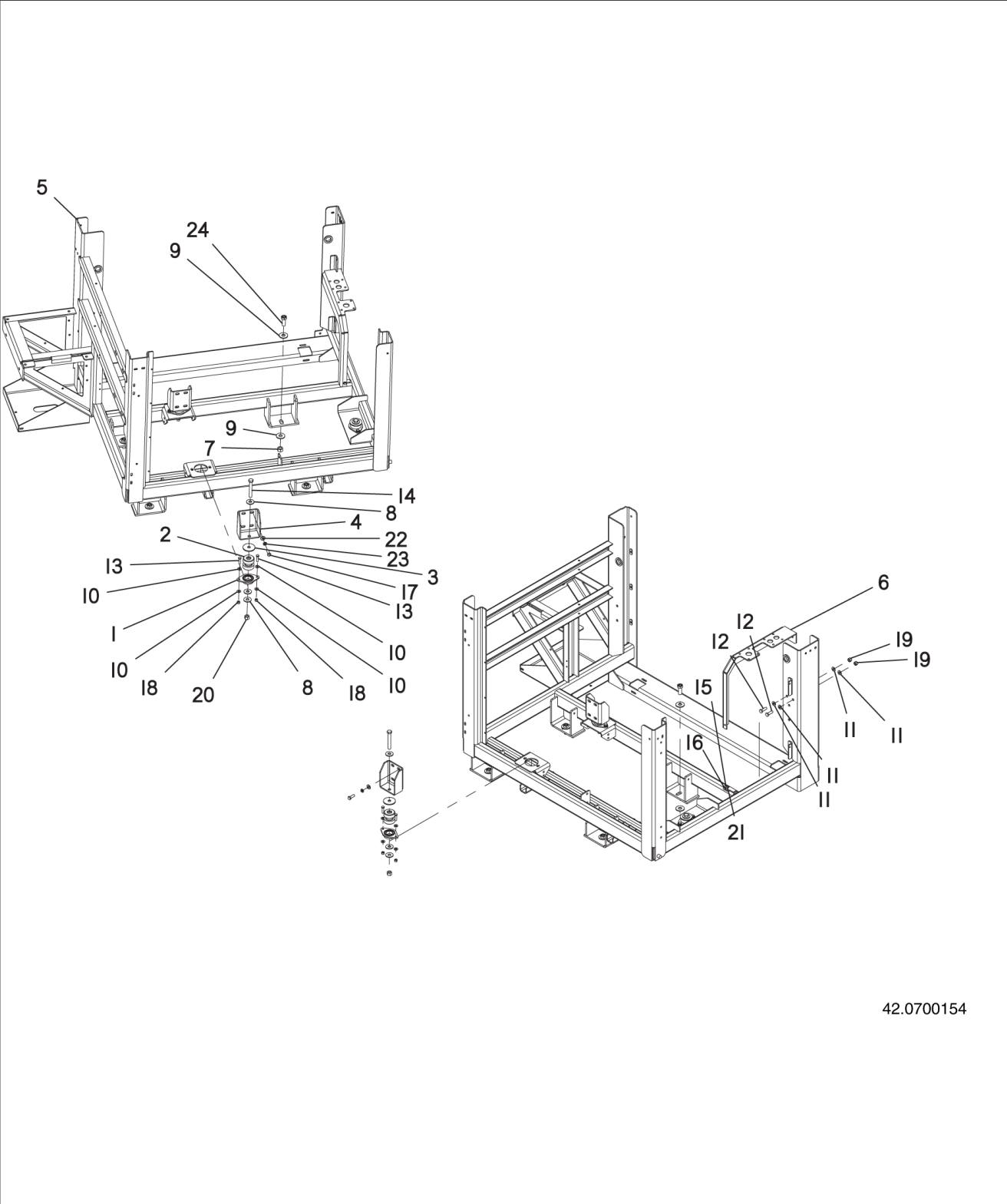


42.0802006

2.01 Asm: Wheel & Tire

Item	Part No.	Quantity	Description
1	42.0701536	4	Tire - 425/65R 22.5
2	42.0701537	4	Wheel: 22.5 x 13 Drive
3	42.1501528	4	Stem - Valve Tire 501

3.01 Asm: MX1012 Engine Frame

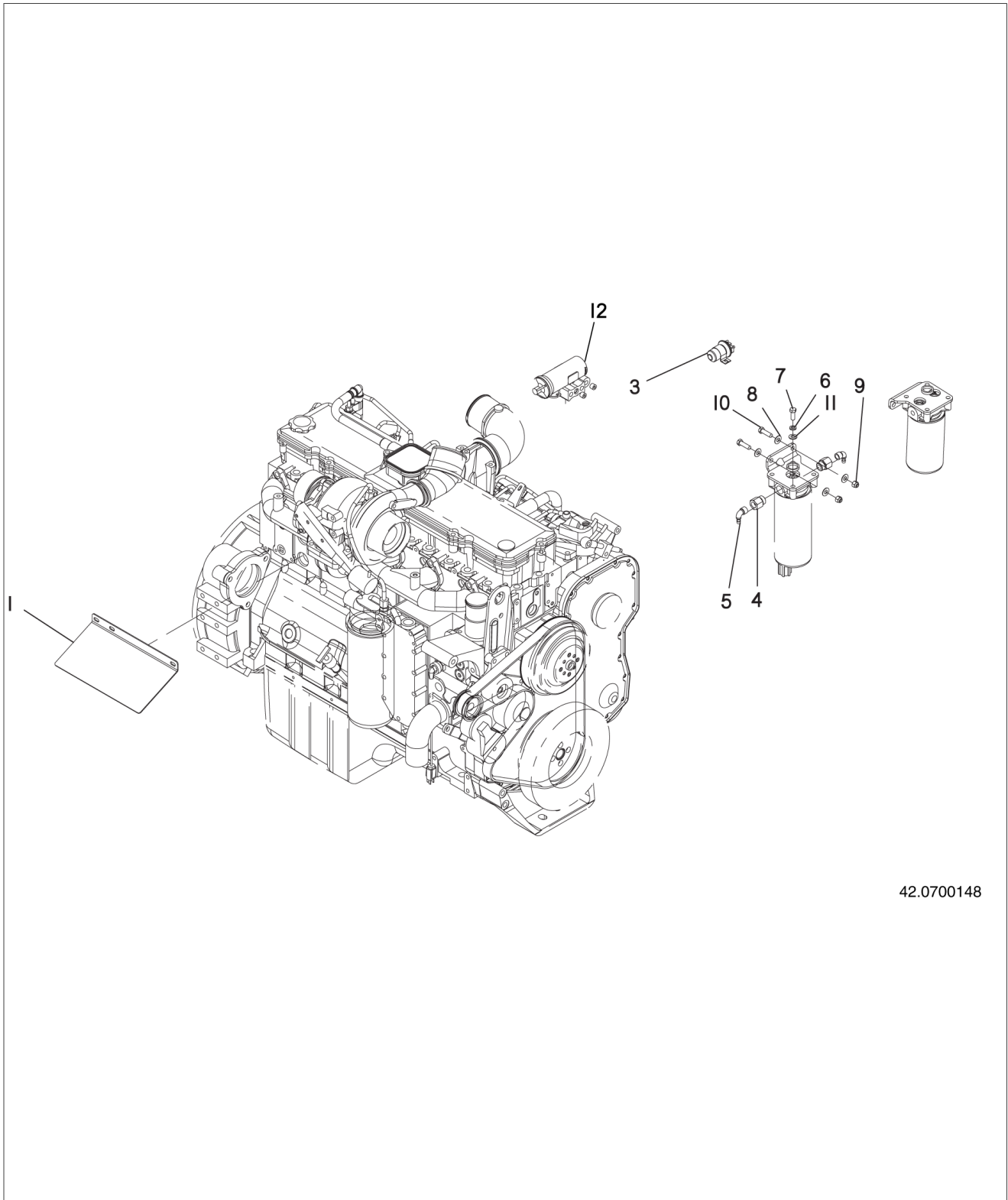


42.0700154

3.01 Asm: MX1012 Engine Frame

Item	Part No.	Quantity	Description
1	21.20341	3	Engine Mount Wldmnt
2	21.20348	3	Mount - Engine
3	21.21894	3	Washer, Stainless Steel Engine Snubbing
4	42.0700712.5	2	Mount: Engine
5	42.0700745.5	1	Wdmt: Engine Frame
6	42.0702097.5	1	Bracket: Fuel Filter
7	900372	4	Hhdnut - 3/4-10 UNC
8	900498	7	Washer: Flat 5/8 In. Std
9	900499	8	Washer, 3/4 Flat
10	901105	12	Washer - Flat 3/8 in. SAE
11	901937	4	Washer, 1/2 Flat
12	903306	2	Hhdbl G 5 1/2-13 x 1.50
13	903848	6	Hhdbl - 3/8-16 x 1-1/2
14	904220	3	Hhdbl 5/8-11 x 4-1/2 Gr5
15	904324	2	Washer - Flat 5/16 in.
16	904464	1	Hhdbl, Gr 5, 5/16-18 x 1-1/4
17	904630	8	Hhdbl, M12-1.75 x 35mm
18	906400	6	Nut: Hex Nylon Lk 3/8-16
19	906401	2	Hhdnut - Nylon Lk 1/2-13
20	906402	3	Hhdnut, 5/8-11 Nylock
21	906483	1	Hhdnut, 5/16-18 Nylock
22	907594	8	Flatwasher, 1/2 Hardened
23	907700	8	Lockwasher, M12
24	907765	4	Hhdbl, Gr 8, 3/4-10 x 2

3.02 Asm: MX1012 Engine

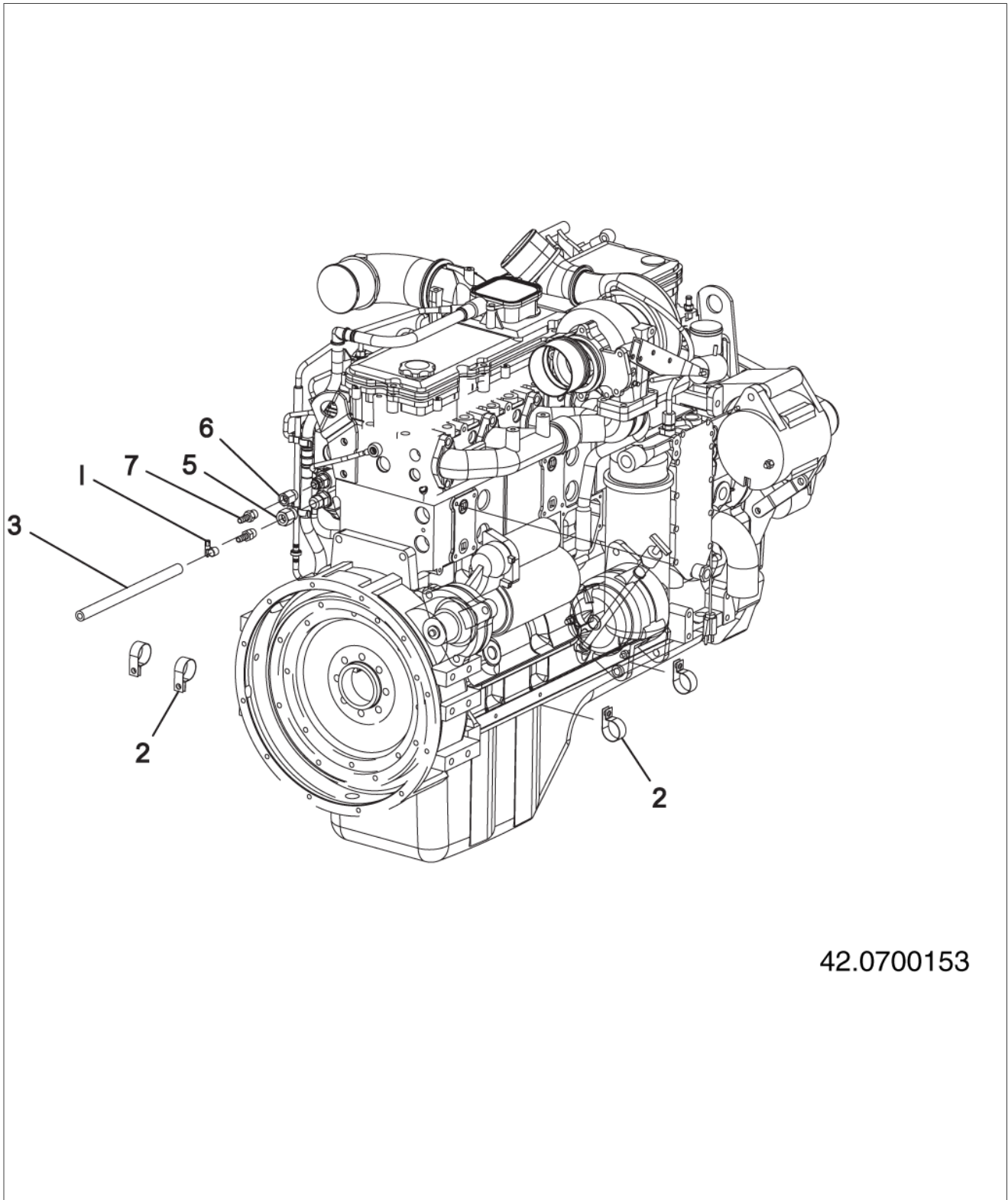


42.0700148

3.02 Asm: MX1012 Engine

Item	Part No.	Quantity	Description
1	42.0701461.5	1	Plate: Shield
3	42.0702227	1	Relay: Starter
4	42.1540426	2	Fitting, -10 MORB x 3/8 FPT
5	44.03013	2	Elbow, 3/8 MPT x 3/8 HB Brass
6	900504	4	Washer-Lock 3/8 in.
7	902300	4	Hhdbl - G5 3/8x1 in. Yellow Zinc
8	907380	4	Washer: Stainless Steel Flat 3/8 In.
9	907391	2	Hhdnut - Stainless Steel Nylok 3/8-16
10	907425	2	Hhdbl, Stainless Steel 3/8-16 x 1-1/4
11	907600	4	Flatwasher, 3/8 Hardened
12	21.00167	1	Governor, Air Compressor

3.03 Asm: MX1012 Engine Fitting

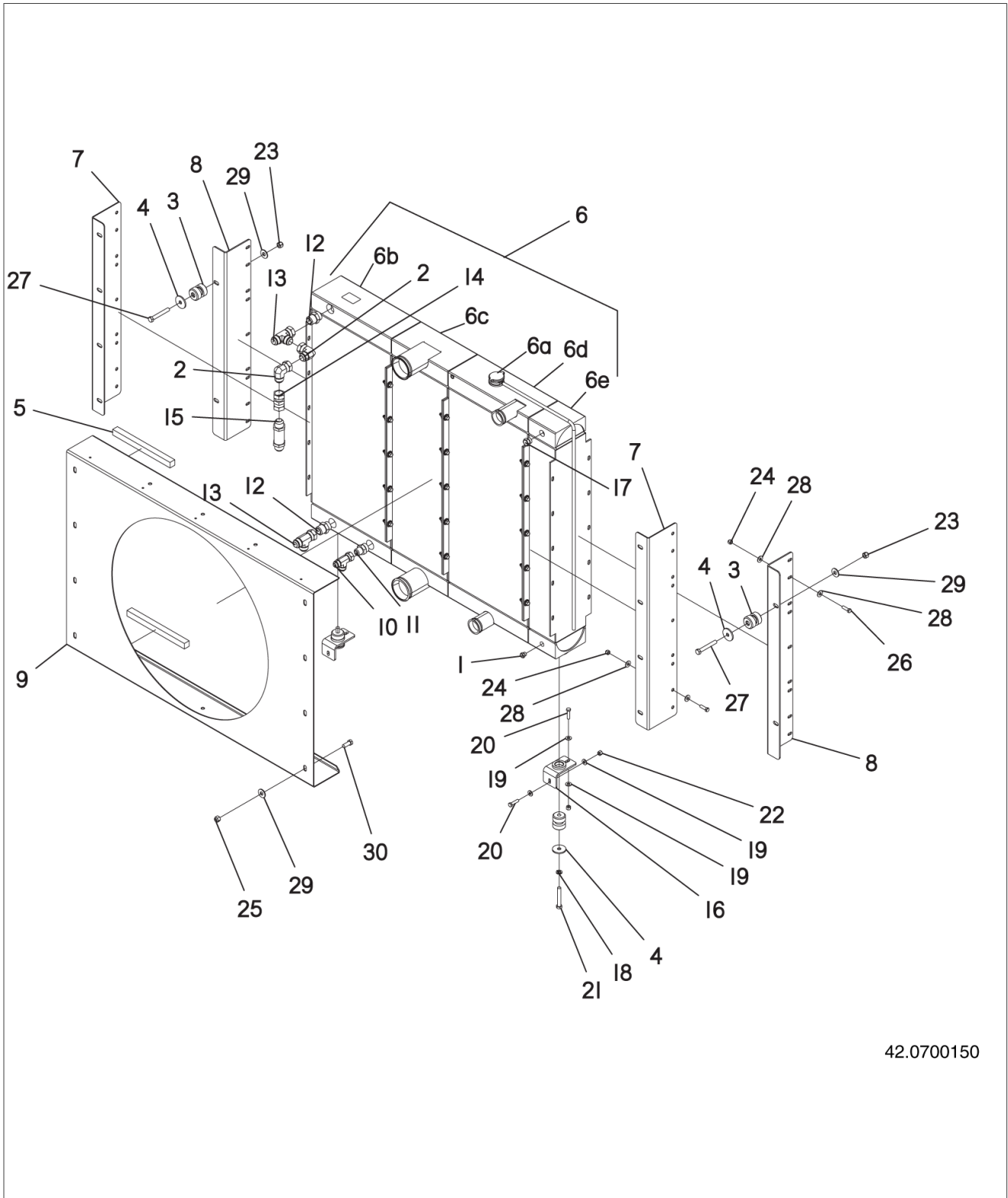


42.0700153

3.03 Asm: MX1012 Engine Fitting

Item	Part No.	Quantity	Description
1	07.11695	4	Clamp: Worm .375-.875 In. Dia
2	21.00340	7	Clamp: Vinyl 1.50 In. Dia
3	21.41817	49 Ft	Hose: Fuel Suction (Order Per Foot)
5	42.1540426	1	Adapter: #10mo x #6fp
6	42.1540437	1	Adapter: #8mo x #6fp
7	908079	2	Fitting: Brass Strt 3/8 NPT 3/8 HB

3.04 Asm: MX1012 Cooling Package

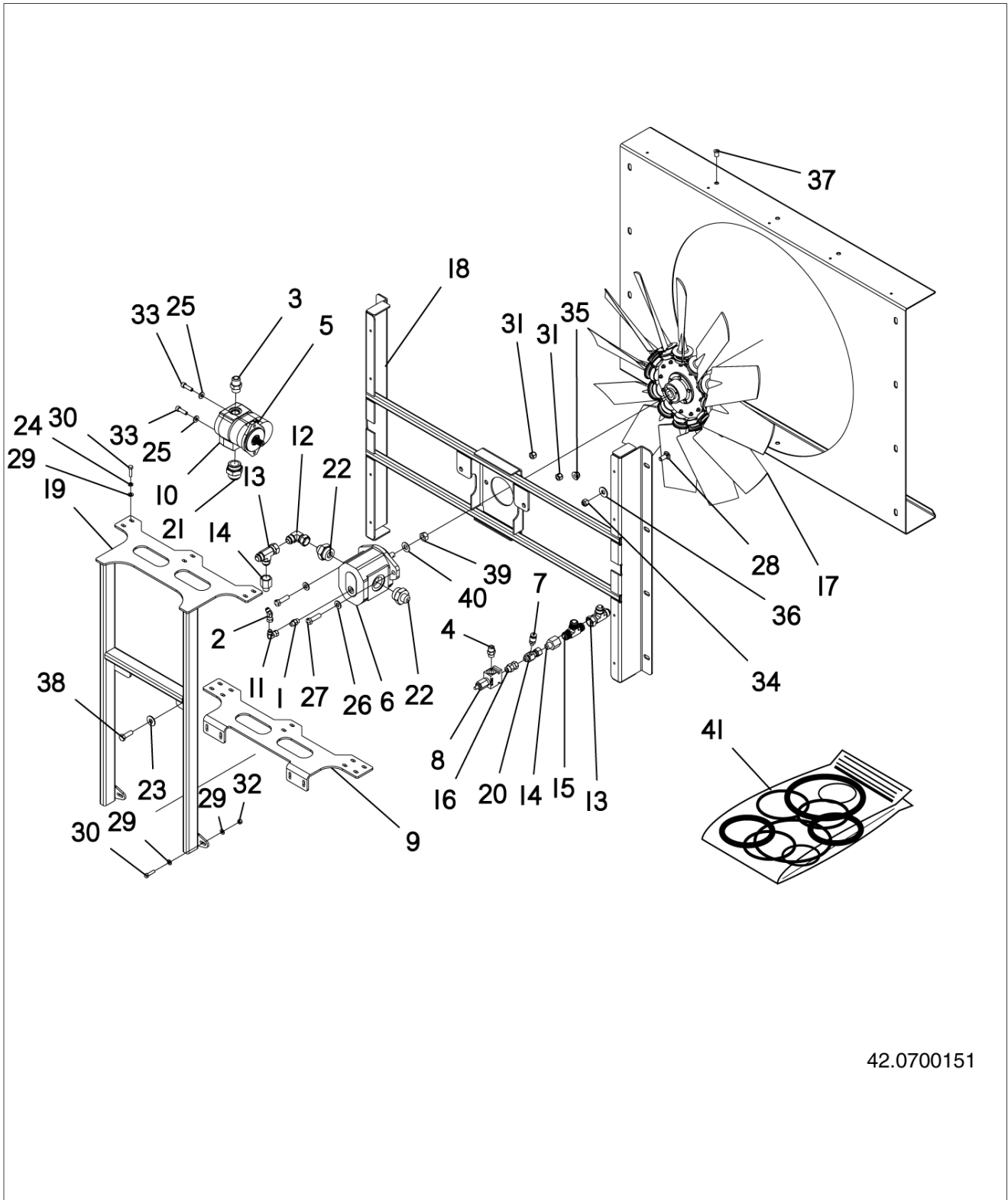


42.0700150

3.04 Asm: MX1012 Cooling Package

Item	Part No.	Quantity	Description
1	21.00321	1	Plug: Hex Hollow 6 ORST
2	21.00354	2	Elbow: 90d 16 JIC Sn
3	21.20349	4	Isolator: Radiator
4	21.21893	6	Washer: Stainless Steel Radiator Snubbing
5	21.23540	9 Ft	Foam: Seal - 1x1 Self Adhesive (Order Per Foot)
6	21.41845	1	Package: Cooling
6a	21.30091	1	Cap, Radiator
6b	21.41656	1	Oil Cooler Section
6c	21.41654	1	Charge Air Cooler Section
6d	21.41655	1	Radiator Section
6e	21.41660	1	A/C Condenser Section w/ Dryer
7	21.42118.5	2	Plate: Fan Shroud Side
8	21.42130.5	2	Bracket, Rad. Side Mount
9	21.47199.5	1	Shroud, Fan 4275/4365
10	32.01945	1	Tee: 3/4 Swivel Run 37 Flare
11	32.01955	1	Adapter: 3/4 MJIC To -16 ORB
12	32.02656	2	Adapter: -16 ORB x 1 MJIC
13	32.03190	2	Tee: Swivel Run 1 In. JIC
14	32.03262	1	Coupler: 1 In. JIC Swivel
15	32.03263	1	Valve: Check 1 In. JIC
16	32.62090	2	Mount: Cooler
17	42.1540347	1	Plug: Hex Head #10 MO
18	900506	2	Washer: Lock 1/2 In.
19	901105	8	Washer: Flat 3/8 In. SAE
20	903848	4	Bolt: Hhd G5 3/8 x 1-1/2 Yellow Zinc
21	903854	2	Bolt: Hhd G5 1/2 x 3-1/4
22	906400	4	Nut: Hex Nylon Lk 3/8-16
23	906401	2	Nut: Hex Nylon Lk 1/2-13
24	907391	20	Nut: Hex Stainless Steel Nylok 3/8-16
25	907392	8	Nut: Hex Stainless Steel Nylok 1/2-13
26	907425	20	Bolt: Hhd Stainless Steel 3/8-16 x 1-1/4
27	907453	2	Bolt: Hhd Stainless Steel 1/2-13 x 3-1/2 In.
28	907465	40	Washer: Stainless Steel Flat 3/8 Wide
29	907466	10	Washer: Stainless Steel Flat 1/2 Wide
30	907563	8	Bolt: Hhd Stainless Steel 1/2-13 x 1-1/4

3.05 Asm: MX1012 Engine Fan

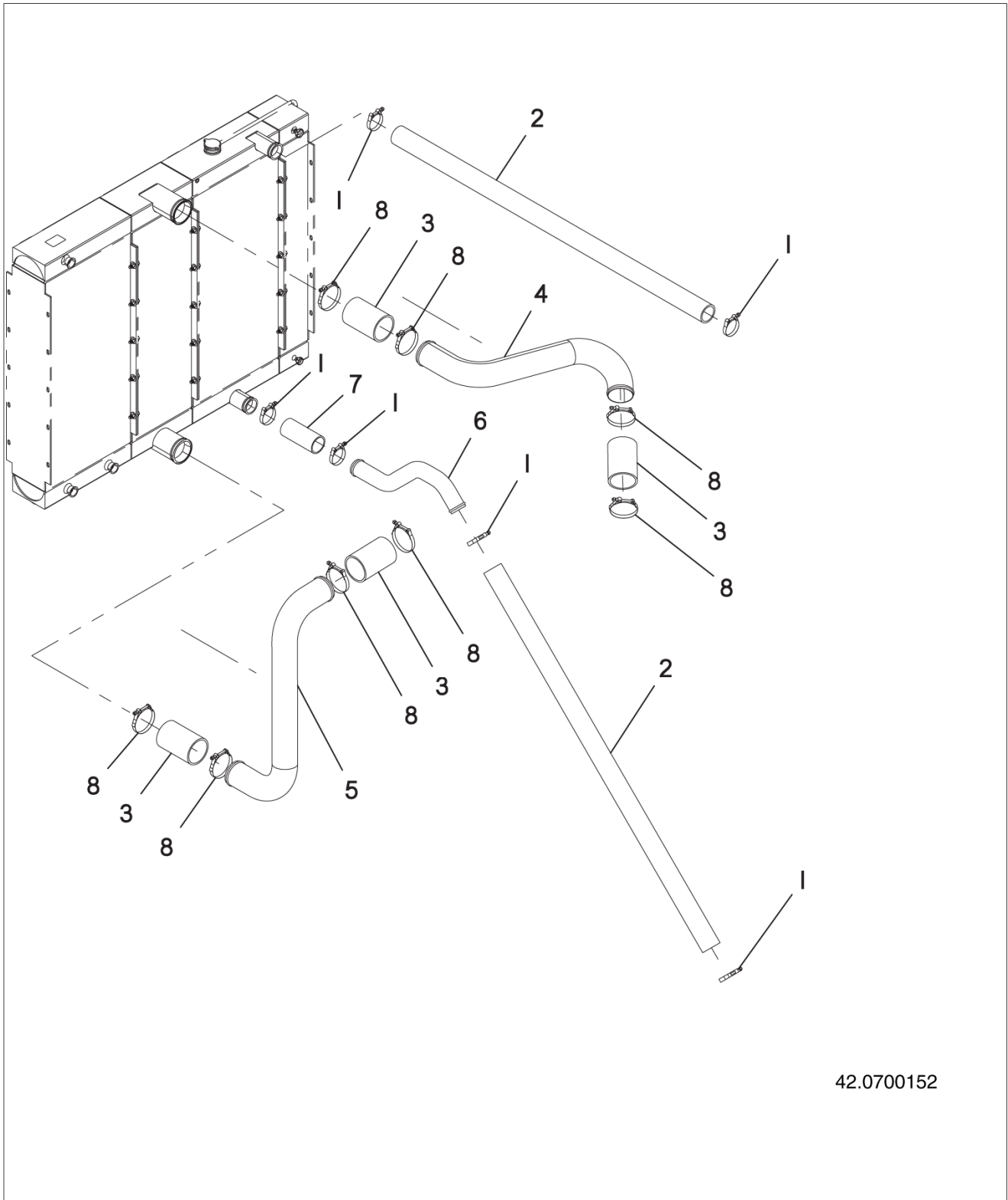


42.0700151

3.05 Asm: MX1012 Engine Fan

Item	Part No.	Quantity	Description
1	07.17911	1	Connector: 06 ORB x 06 JICM
2	07.17969	1	Elbow: 45d 3/8 JIC x 3/8 JIC
3	09.74127	1	Connector: 37deg Flare
4	09.74155	1	Connector: 37d FI-ORB 3/4-16
5	21.21262	1	Gasket: Fan Pump
6	21.23380.1	1	Motor: Hyd 275 Fan Tapered
7	21.24021	1	Test Point - 4 SAE O-Ring
8	21.44042	1	Valve: Factory Set To 2800 Psi
9	21.47095	1	Plate: Bottom Mounting Fan Support
10	21.48295	1	Pump: Gear 2.50 Cu In
11	32.01921	1	Elbow: 3/8 MJIC x 3/8 JIC Swvl
12	32.01941	1	Elbow: 3/4 MJIC x Swivel
13	32.01945	2	Tee: 3/4 Swivel Run 37 Flare
14	32.01948	2	Adapter: 3/4 In. FJIC 1/2 In. MJIC
15	32.03049	1	Tee: 3/4 MJIC
16	32.03077	1	Adapter: -08 ORB x FJIC Swvl
17	42.0701689	1	Fan: Cooling
18	42.0701699.5	1	Wdmt: Fan Motor Frame
19	42.0702212.5	1	Wdmt: Fan Support
20	42.0902130	1	Tee: Test Port -08 JIC
21	42.1540562	1	Connector: #20 MJ x #20 MO
22	42.1541920	2	Connector: #12 MJ x #20 MO
23	900497	2	Washer: Flat 1/2 In. Std
24	900503	6	Washer: Lock 5/16 In.
25	901105	2	Washer: Flat 3/8 In. SAE
26	901937	2	Washer: Flat 1/2 In. SAE
27	903518	2	Bolt: Hhd G5 1/2 x 1-3/4 In.
28	903695	8	Carblt: 1/2 x 1 1/4 Gr 5
29	904324	14	Washer: Flat 5/16 In.
30	904464	10	Bolt: Hhd G5 5/16 x 1-1/4 Yellow Zinc
31	906401	2	Nut: Hex Nylon Lk 1/2-13
32	906483	4	Nut: Hex Nylon Lk 5/16-18
33	907325	2	Screw: Shd M10 x 1.5 x 35mm
34	907392	8	Nut: Hex Stainless Steel Nylok 1/2-13
35	907399	2	Nut: Hex Nylon Lk 1/2-13 Flang
36	907466	8	Washer: Stainless Steel Flat 1/2 Wide
37	907601	6	Insert: Open End 5/16-18
38	907801	2	Bolt: Hhd G8 1/2-13 x 1-1/2 Yellow Zinc
39	908576	1	Nut: 5/8-18 Top Lock
40	908577	1	Washer: 5/8 Hardened 1.31 Od .074 Thk
41	21.48228	1	Seal Kit for Item 6

3.06 Asm: MX1012 CAC & Rad Tube

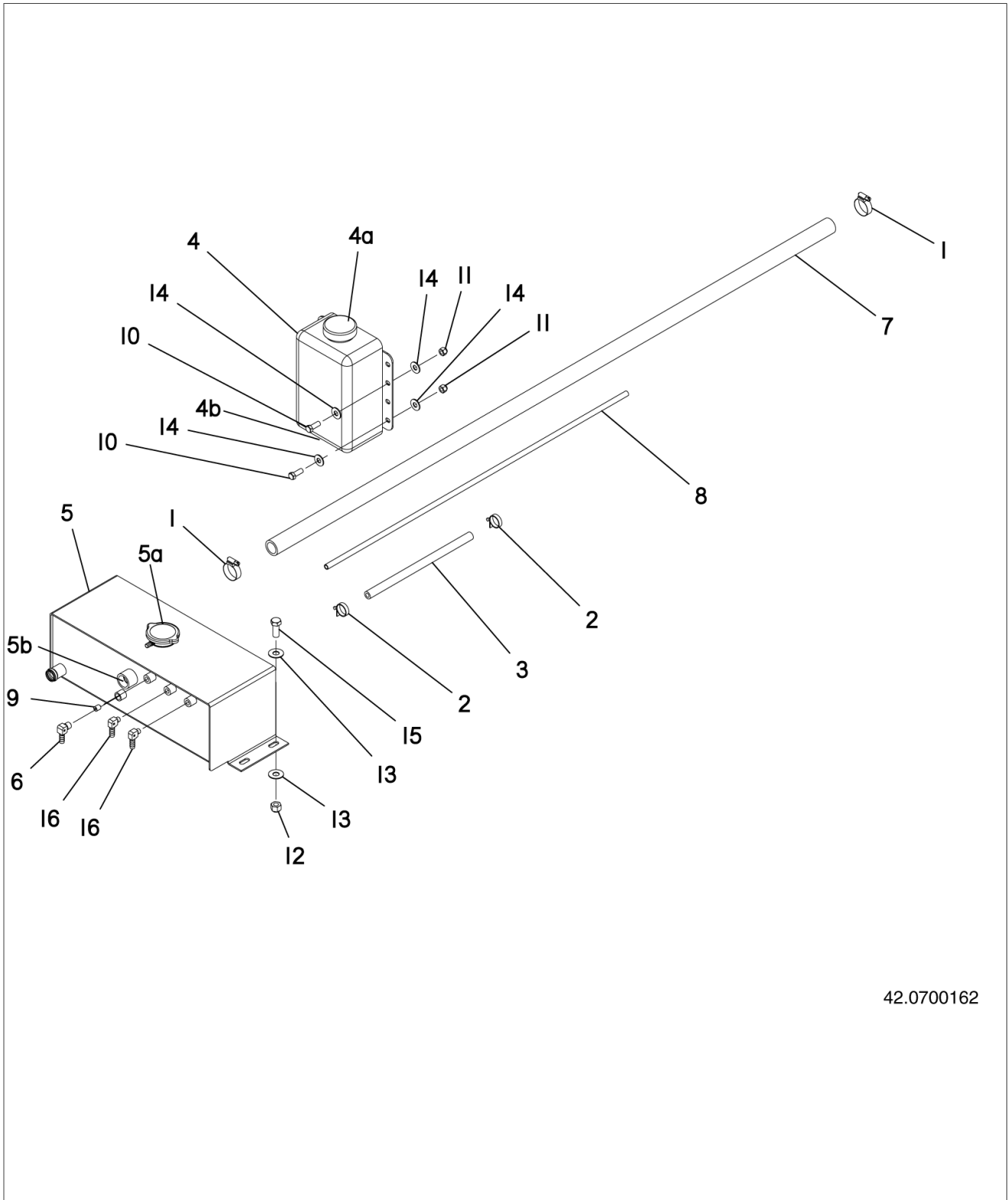


42.0700152

3.06 Asm: MX1012 CAC & Rad Tube

Item	Part No.	Quantity	Description
1	07.08216	6	Clamp, Tc250 T-Bolt
2	21.41055	2	Hose - Lower Rad 4275/4365
3	32.60720	4	Hose, 3-1/2 in. High Temp CAC
4	42.0700741	1	Tube: Upper CAC
5	42.0700742	1	Tube: Lower CAC
6	42.0701843	1	Tube: Lower Radiator
7	42.0701970	1	Hose: Radiator MX1012
8	907955	8	Clamp, 3.56 in. Air Intake

3.07 Asm: MX1012 Dearation Tank

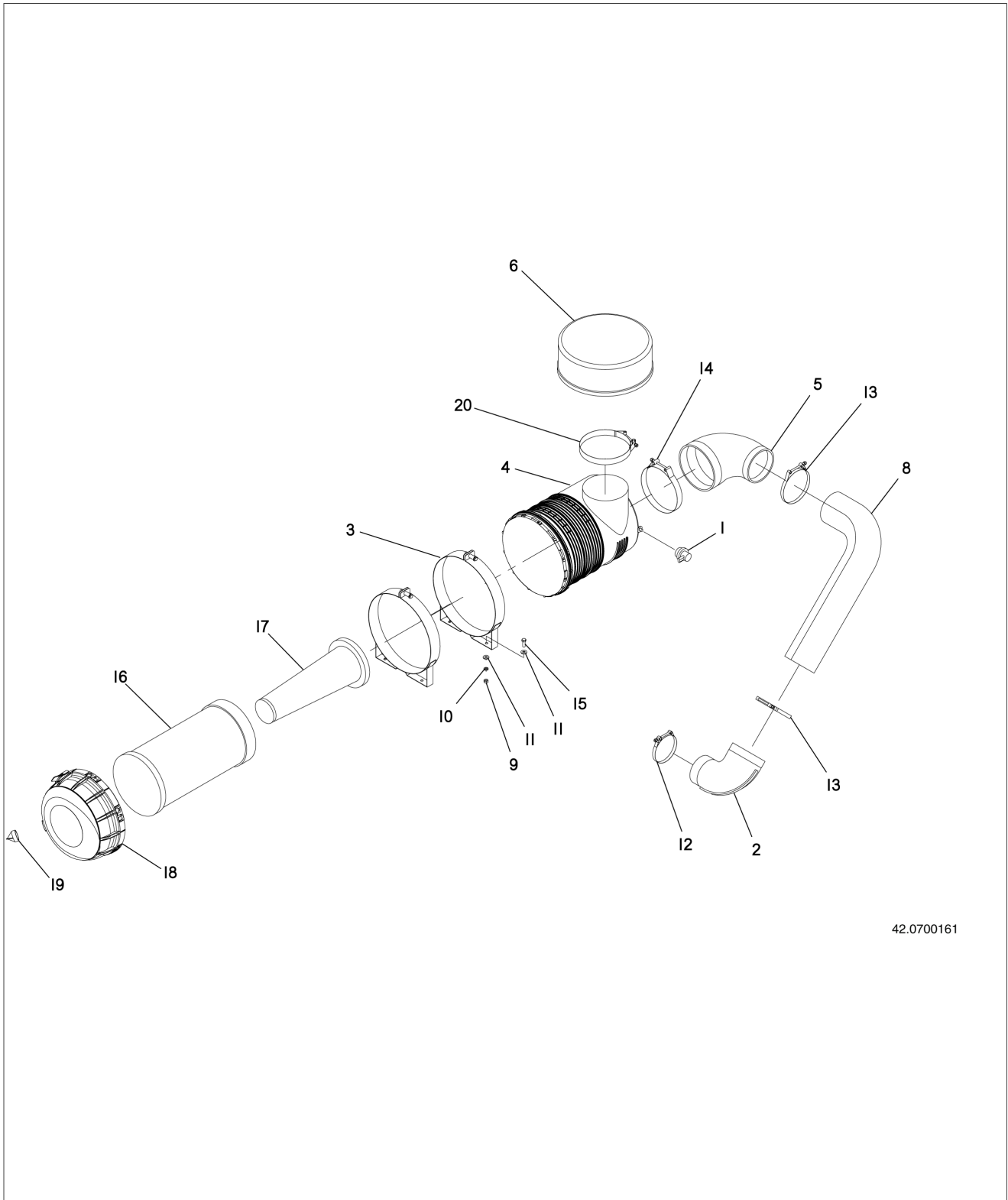


42.0700162

3.07 Asm: MX1012 Dearation Tank

Item	Part No.	Quantity	Description
1	07.11698	2	Clamp, .750 in.-1.500 in. Hose
2	07.13739	8	Clamp - Worm .312 in. - .875 in. Mini
3	11.80555	21 Ft	Hose, 3/8 in. Fuel (Order Per Foot)
4	21.24166	1	Overflow Bottle - 4 Qt Rad
4a	44.21695	1	Cap, Overflow Bottle
4b	44.21696	1	Fitting, 5/16 in. HB
5	42.0701824	1	Tank: Coolant Surge
5a	42.0801290	1	Cap: Radiator
5b	44.04179	1	Sight Glass
6	44.21532	1	Elbow, 3/8 HB x 1/4 MPT Brass
7	44.21691	1	Heater Hose, 1 in. Condor
8	44.21692	1	Tubing, 5/16 in. Coolant
9	900136	1	Plug, Pipe 1/8 -27 NPT
10	907277	4	Bolt: Hhd Stainless Steel 3/8-16 x 1 In.
11	907391	4	Hhdnut - Stainless Steel Nylok 3/8-16
12	907392	4	Hhdnut, 1/2-13 Stainless Steel Nylock
13	907395	8	Washer, 1/2 Stainless Steel Flat
14	907465	8	Washer - Stainless Steel Flat 3/8 Wide
15	907563	4	Hhdbl, 1/2-13 x 1-1/4 Stainless Steel
16	908570	2	Elbow: 3/8 HB x 1/8 MPT Brass

3.08 Asm: MX1012 Air Intake

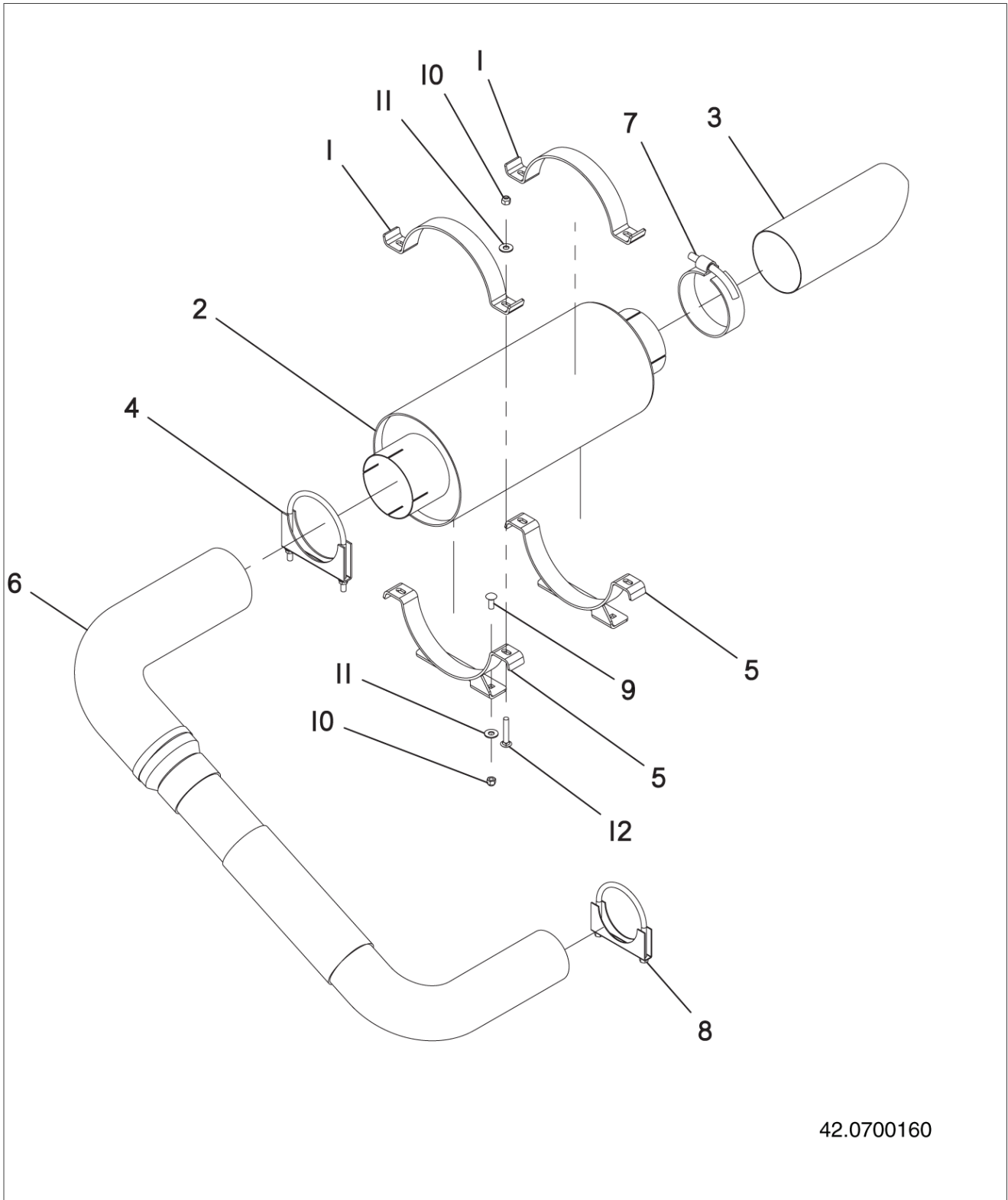


42.0700161

3.08 Asm: MX1012 Air Intake

Item	Part No.	Quantity	Description
1	21.23917	1	Switch, Air Filter
2	21.24571	1	Elbow - 90d Reducer 4 x 5
3	21.40380	2	Band, Air Cleaner
4	21.40422	1	Air Cleaner
5	21.40450	1	Elbow - Reducing 90d 7 x 5
6	21.43032	1	Pre-Cleaner 4365 includes clamp
8	42.0700704	1	Tube: Intake 90d
9	900366	4	Hhdnut - 3/8-16
10	900504	4	Washer-Lock 3/8 in.
11	901105	8	Washer - Flat 3/8 in. SAE
12	908403	1	Clamp, T-Bolt 4.5 in. HD w/Floating Bridge
13	908404	2	Clamp, T-Bolt 5.5 in. HD w/Floating Bridge
14	908406	1	Clamp, T-Bolt 7.5 in. HD w/Floating Bridge
15	907829	4	Hhdbl, Gr 8, 3/8-16 x 1
16	21.40570	1	Element: Filter Primary
17	21.40571	1	Element: Filter Secondary
18	21.40568	1	Cover Assembly - Air Cleaner
19	21.40569	1	Valve - Dust Ejection
20	908656	1	Clamp: T-Bolt 7.25 in.

3.09 Asm: MX1012 Exhaust

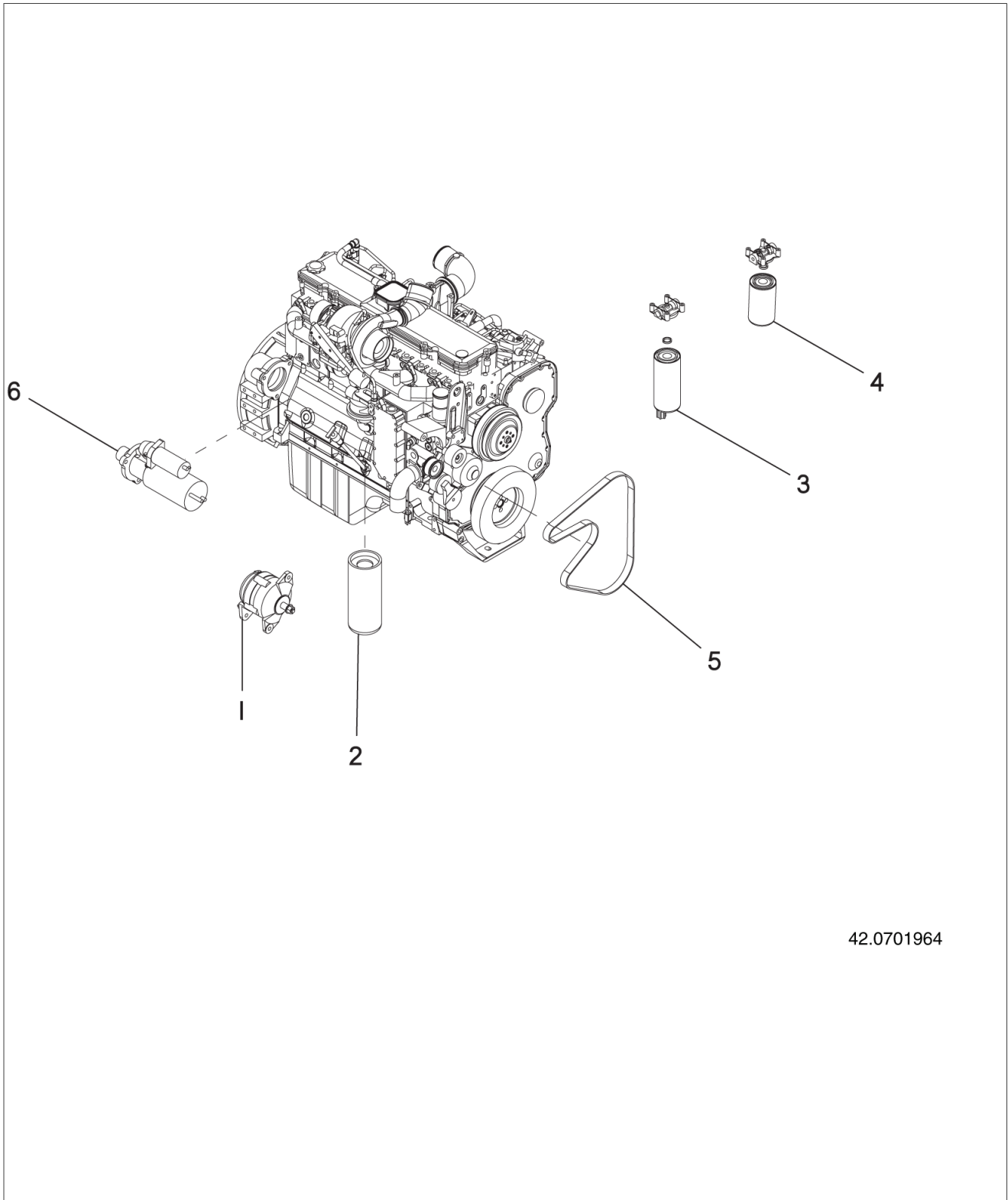


42.0700160

3.09 Asm: MX1012 Exhaust

Item	Part No.	Quantity	Description
1	21.46534	2	Strap: 9 in. Muffler Mtg
2	21.47256	1	Muffler - Roof Mounted
3	21.47257	1	Exhaust Outlet Tube
4	21.47261	1	Exhaust Clamp - 5 Inch Stainless Steel
5	21.47391	2	Wldmt - 9 in. Dia Muffler Mtg
6	42.0700703	1	Tube: Exhaust
7	44.02474	1	Bent Bolt Clamp 5 in.
8	44.02477	1	Clamp, 4 in. Muffler
9	907337	4	Carblt - Stainless Steel 3/8-16 x 1 in.
10	907391	8	Hhdnut - Stainless Steel Nylok 3/8-16
11	907465	8	Washer - Stainless Steel Flat 3/8 Wide
12	908439	4	Bolt: Car Stainless Steel 3/8-16 x 2-1/4

3.10 Engine: QSC MX1012

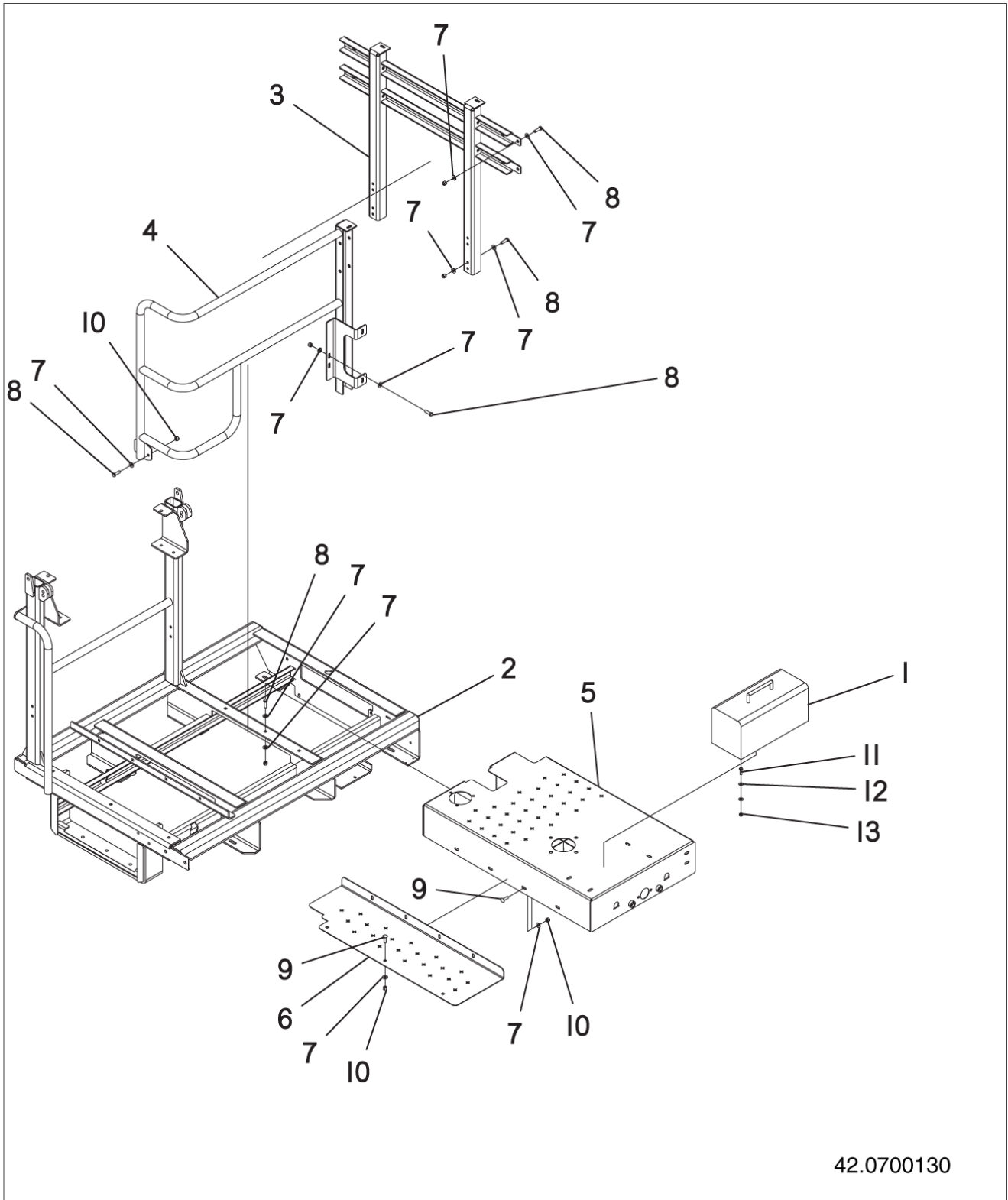


42.0701964

3.10 Engine: QSC MX1012

Item	Part No.	Quantity	Description
1	21.24601	1	Alternator: 24SI 160 Amp
2	21.41068	1	Filter - Oil QSL LF9009
3	21.41069	1	Fuel Filter - Primary QSL
4	21.41070	1	Filter-Fuel Secondary, Cummins QSL
5	21.41071	1	Serpentine Belt - QSL
6	21.41074	1	Starter - Cummins QSL

4.01 Asm: MX1012 Op Deck & Railing

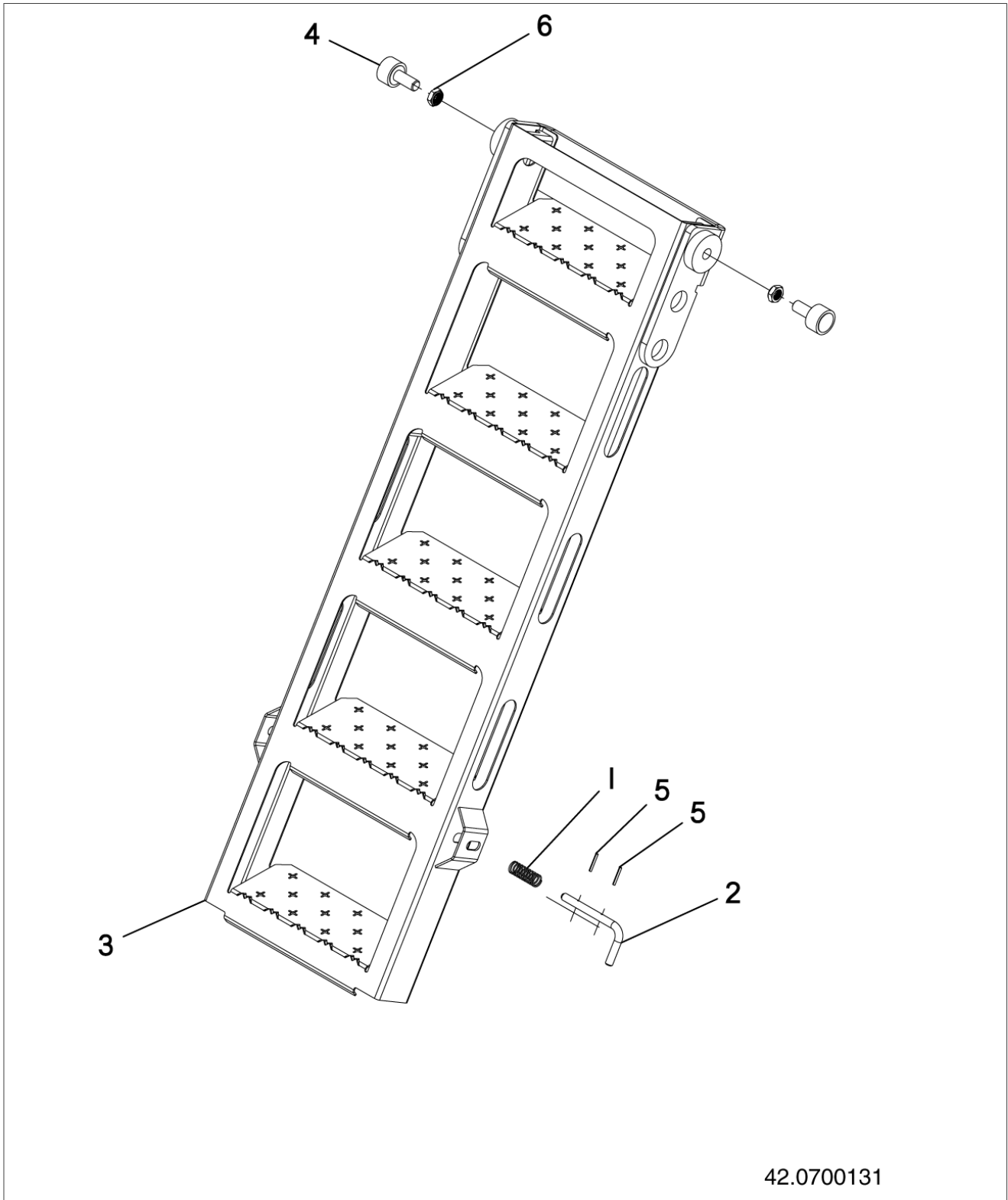


42.0700130

4.01 Asm: MX1012 Op Deck & Railing

Item	Part No.	Quantity	Description
1	42.0701675	1	Toolbox: Op Station
2	42.0701928.8	1	Wdmt: Op Station
3	42.0701953.8	1	Wdmt: Fuel Tank Mount
4	42.0701954.8	1	Wdmt: RH Railing
5	42.0701994.8	1	Wdmt: Op Station Decking
6	42.0701996.8	1	Plate: Operator Deck
7	901105	49	Washer: Flat 3/8 In. SAE
8	902367	21	Bolt: Hhd G5 3/8x1-1/4 In.
9	903693	7	Bolt: Car G5 3/8 x 1-1/4 In. Lngnk
10	906400	28	Nut: Hex Nylon Lk 3/8-16
11	907349	2	Bolt: Hhd Stainless Steel 5/16-18 x 1
12	907379	4	Washer: Stainless Steel Flat 5/16
13	907390	2	Nut: Hex Stainless Steel Nylok 5/16-18

4.02 Asm: MX1012 Ladder

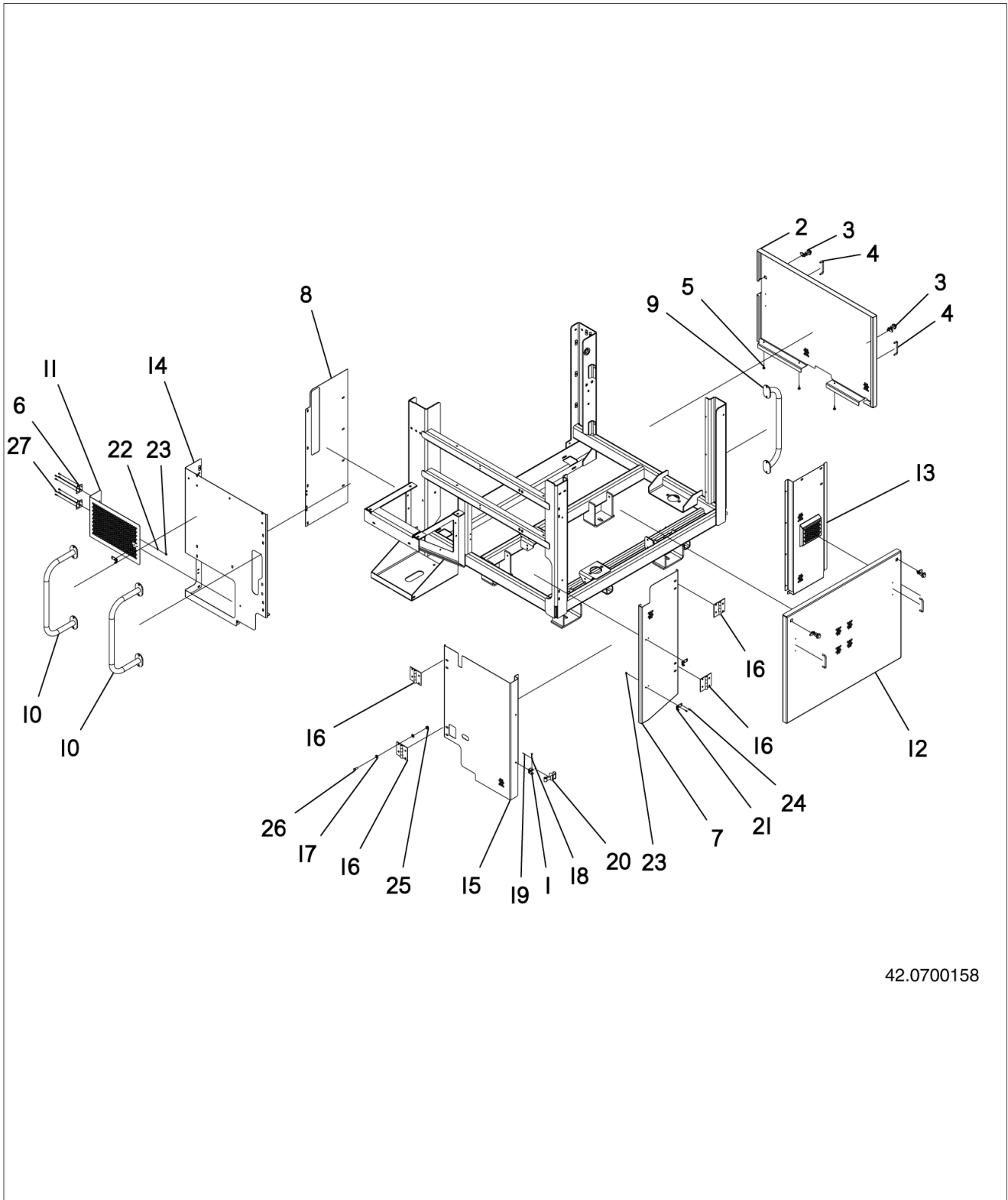


42.0700131

4.02 Asm: MX1012 Ladder

Item	Part No.	Quantity	Description
1	07.17764	1	Spring, Compression
2	17.00750	1	Pin: Cam Lever
3	42.0701543.8	1	Wdmt: Ladder, Op Station
4	42.1510056	2	Bearing - 1-3/4 Cam Follower
5	904246	2	Pin - Spring 5/32 x 1-1/4
6	908444	2	Nut: Hex Jam 3/4-16 Nylock

4.03 Asm: MX1012 Engine Shroud

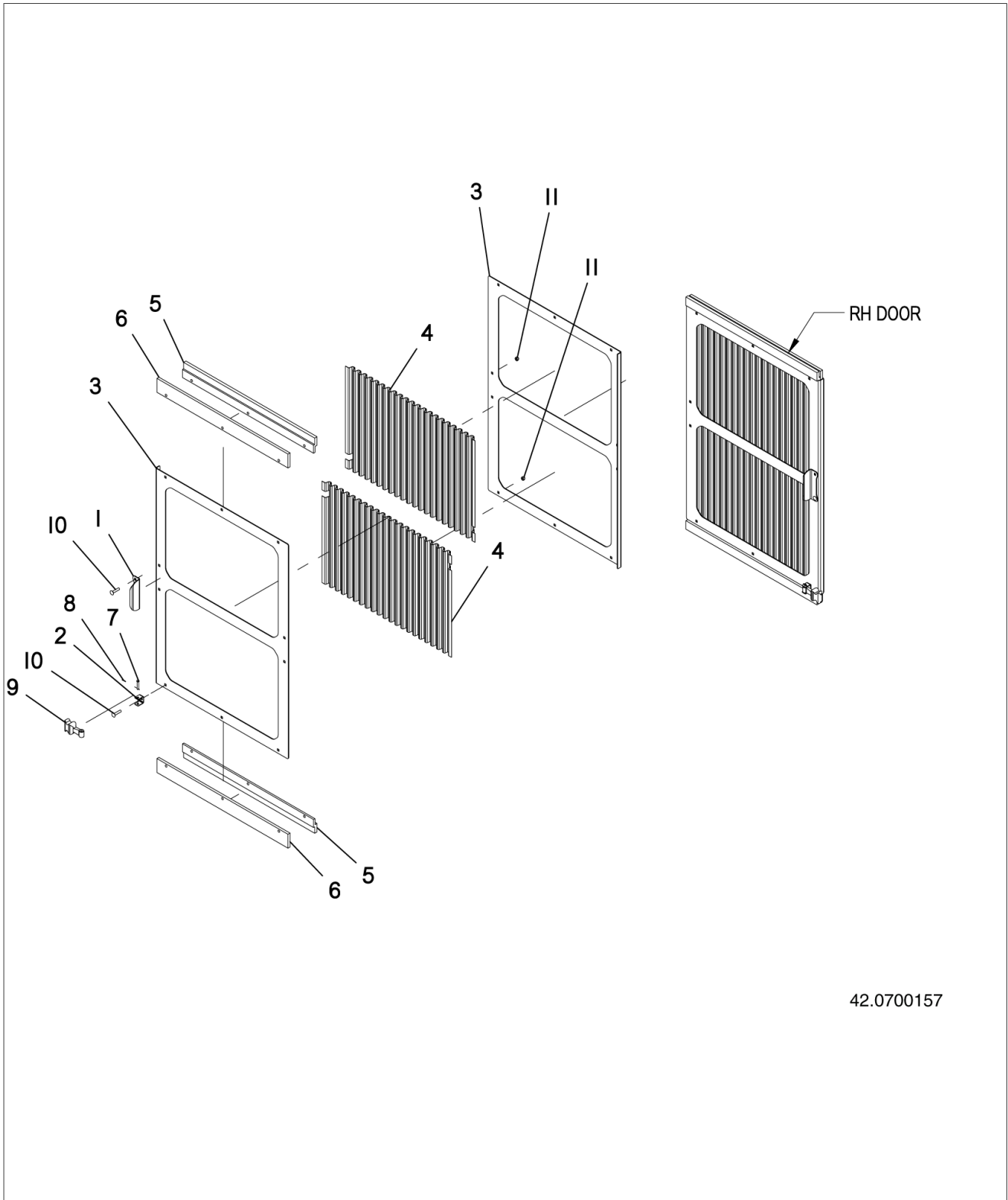


42.0700158

4.03 Asm: MX1012 Engine Shroud

Item	Part No.	Quantity	Description
1	321289B1	3	Bracket - Latch Anchor
2	42.0700768	1	Plate: Cover, Side
3	42.0700780	4	Latch: Keyed
4	42.0700781	13	Handle: Door
5	42.0700782	32	Cushion: Rubber
6	42.0700891	2	Hinge: Battery Door
7	42.0700949	1	Plate: Cover
8	42.0700950	1	Plate: Engine Cover
9	42.0700954.5	1	Wdmt: Handle
10	42.0700956.5	2	Wdmt: Handle
11	42.0701837	1	Door: Battery Access
12	42.0702131	1	Plate: Door, Side
13	42.0702134	1	Wdmt: Engine Panel Alt
14	42.0702200	1	Wdmt: Cover Hyd Batt
15	42.0702201	1	Wdmt: Door Hyd Manifold
16	42.0800458	4	Hinge: Platform Mount
17	901105	65	Washer: Flat 3/8 In. SAE
18	903701	3	Pin: Clevis 1/4 x 1-1/2
19	903702	3	Pin: Cotter 3/32 x 1/2
20	904520	4	Latch: Rubber
21	904591	3	Bracket: Hood
22	907494	8	Washer: Stainless Steel Flat #10
23	907621	18	Nut: Hex Stainless Steel #10-24 Nylock
24	907702	6	Bolt: Btnhd #10-24 x 1/2 Stainless Steel
25	907779	27	Nut: Hex Nylon Lk 3/8-16 Flanged
26	907829	38	Bolt: Hhd Gr8 3/8-16 x 1 Yellow Zinc
27	908160	8	Bolt: Btnhd #10-24 x 5/8 Stainless Steel

4.04 Asm: MX1012 Engine Door

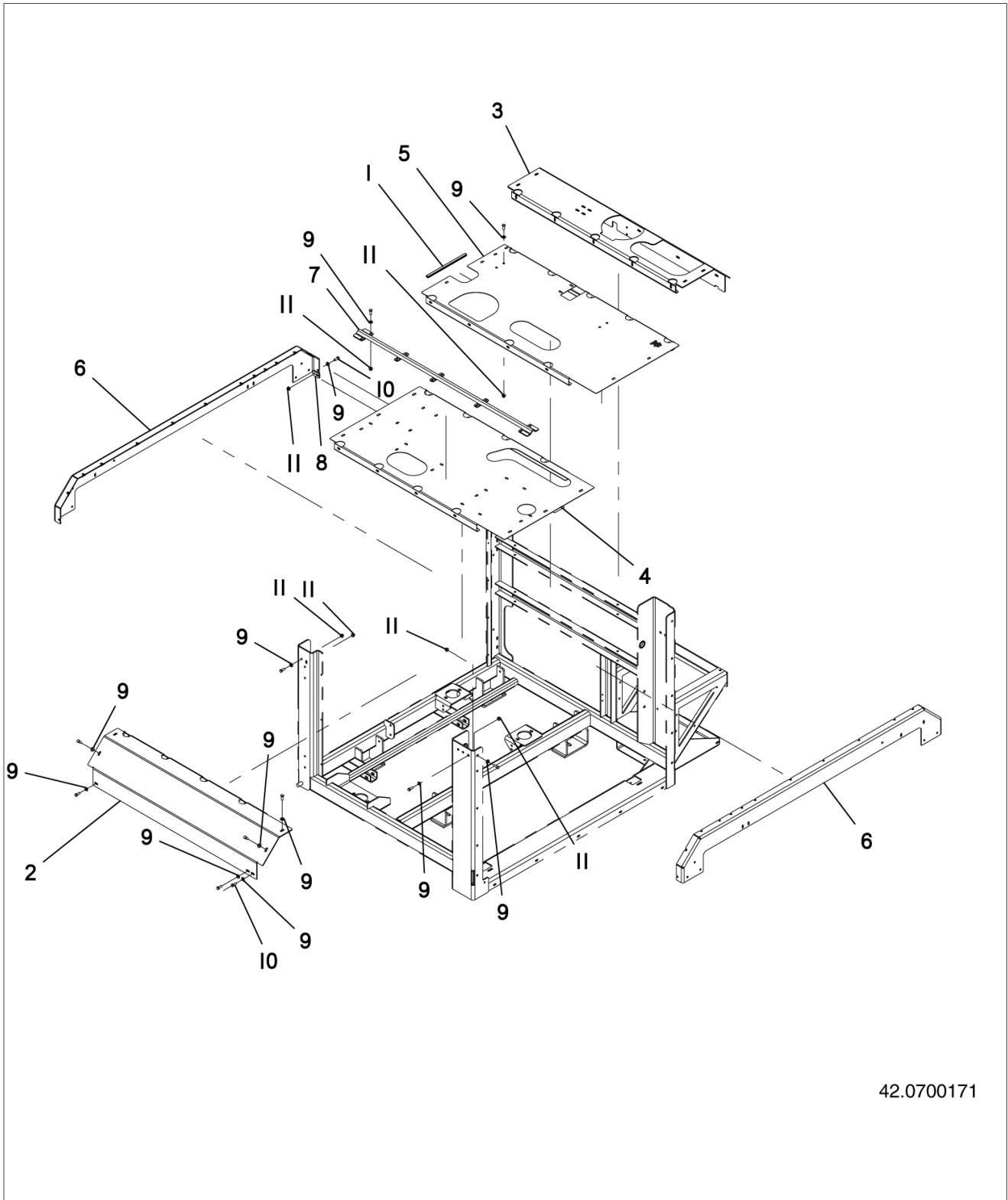


42.0700157

4.04 Asm: MX1012 Engine Door

Item	Part No.	Quantity	Description
1	21.51931.5	2	Handle: Engine Door
2	321289B1	2	Anchor Brkt
3	42.0700897.5	4	Plate: Door Frame
4	42.0700898.5	4	Screen: Corrugated Door
5	42.0701989	4	Slide: Door
6	42.0701990	4	Slide: Door
7	903701	2	Pin, Clevis 1/4 x 1 1/2
8	903702	2	Cotter Pin, 3/32 x 1/2
9	904520	2	Hook-Cover (rubber)
10	907241	20	Carblt, 5/16-18 x 1-1/2 Stainless Steel
11	907390	20	Hhdnut, 5/16-18 Stainless Steel Nylock

4.05 Asm: MX1012 Engine Roof

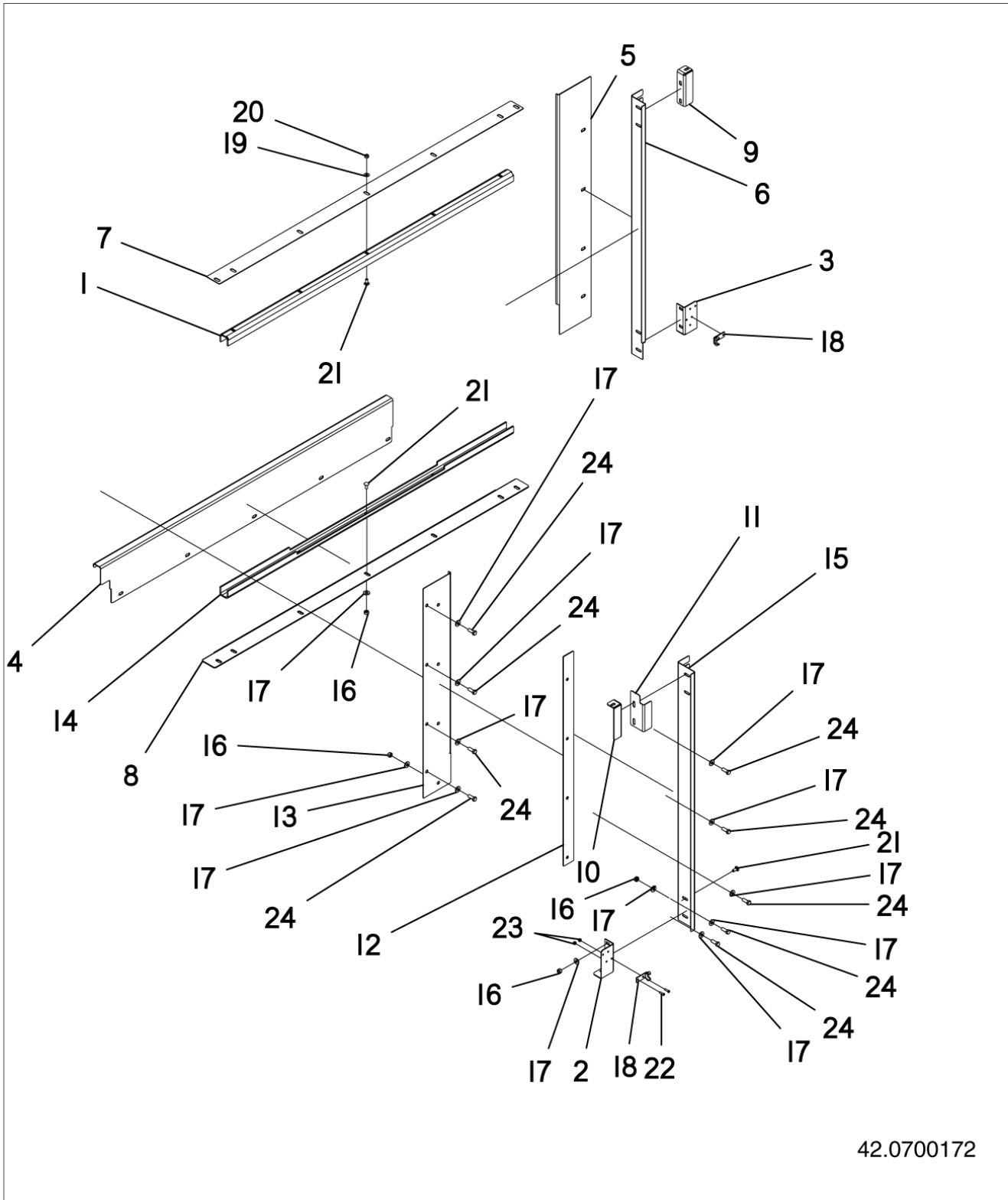


42.0700171

4.05 Asm: MX1012 Engine Roof

Item	Part No.	Quantity	Description
1	11.77710	1 Ft	Trim, Black Vinyl .032-.125 (Order Per Foot)
2	42.0700761	1	Plate: Engine Cover, Rear
3	42.0700762	1	Plate: Engine Cover, Front
4	42.0700763	1	Panel: Engine Cover, Top
5	42.0700783	1	Plate: Side Panel, Engine
6	42.0701006.5	2	Wdmt: Cross Rail
7	42.0701846.5	1	Bracket: Engine Roof Support
8	42.0701850.5	1	Plate: Brace
9	901105	42	Washer - Flat 3/8 in. SAE
10	902300	53	Hhdbl1 - G5 3/8x1 in. Yellow Zinc
11	907779	29	Hhdnut - Nylon Lk Flng 3/8-16 Yellow Zinc

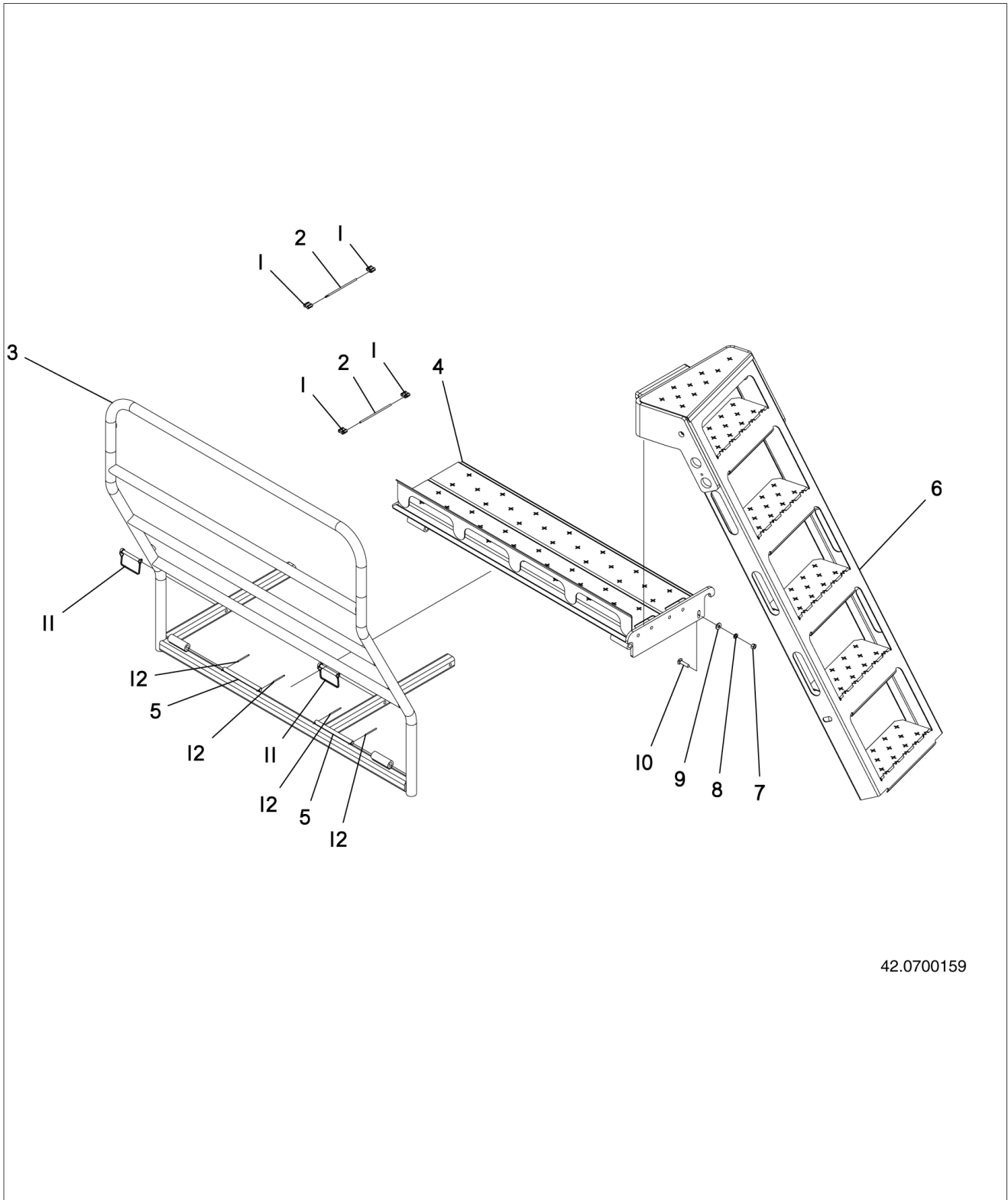
4.06 Asm: MX1012 Engine Door Frame



4.06 Asm: MX1012 Engine Door Frame

Item	Part No.	Quantity	Description
1	21.42845.5	1	Slide: Engine Enclosure Door
2	21.42895.5	1	Bracket: Header LH Door Latch
3	21.42896.5	1	Bracket: Header RH Door Latch
4	42.0700894	1	Plate: Filler
5	42.0700896	1	Plate: Engine, Cover
6	42.0700902	1	Bracket: Support
7	42.0700903	1	Plate: Dust Shield
8	42.0700904	1	Plate: Dust Shield
9	42.0700905	1	Bracket: Support
10	42.0700906	1	Bracket: Support
11	42.0700907	1	Bracket: Cover
12	42.0700909	1	Plate: Spacer
13	42.0700910	1	Wdmt: Filler
14	42.0701842	1	Channel: Lower Screen
15	42.0702151	1	Bracket: Door Support
16	900366	15	Nut: Hex 3/8-16
17	901105	41	Washer: Flat 3/8 In. SAE
18	904591	2	Bracket: Hood
19	907379	22	Washer: Stainless Steel Flat 5/16
20	907390	22	Nut: Hex Stainless Steel Nylok 5/16-18
21	907413	22	Bolt: Car Stainless Steel 5/16-18 x 3/4 In.
22	907618	4	Bolt: Btnhd #10-24 x 3/4 Stainless Steel
23	907621	4	Nut: Hex Stainless Steel #10-24 Nylock
24	907829	18	Bolt: Hhd Gr8 3/8-16 x 1 Yellow Zinc

4.07 Asm: MX1012 Engine Deck

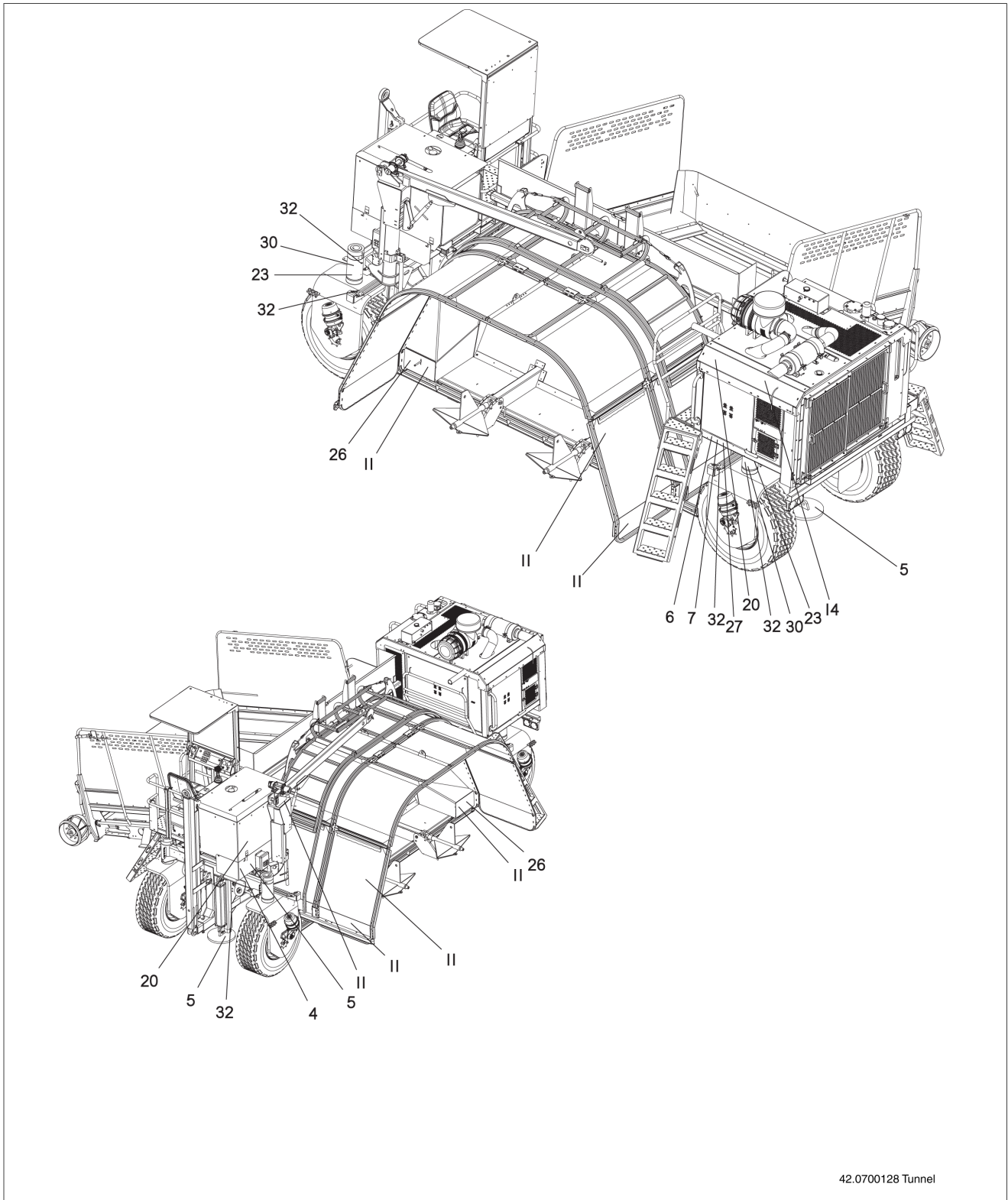


42.0700159

4.07 Asm: MX1012 Engine Deck

Item	Part No.	Quantity	Description
1	01.73844	4	Sleeve, Cable
2	11.77120	6 Ft	Cable-3/32 W/ Yellow Vinyl Sheath (Order Per Foot)
3	42.0700923.5	1	Wdmt: Engine Rail
4	42.0700932.5	1	Wdmt: Engine Deck
5	42.0701009	2	Pin: Engine Deck Hinge
6	42.0701550.5	1	Wdmt: Ladder, Engine
7	900366	1	Hhdnut - 3/8-16
8	900504	1	Washer-Lock 3/8 in.
9	901105	1	Washer - Flat 3/8 in. SAE
10	904336	1	Carblt - 3/8-16 x 1 1/2 in.
11	907768	2	Pin - Lock 3/8 x 3
12	908550	4	Pin: 1/8 in. x 2 in. Roll

4.08 Asm: Mx1012 Decal Tunnel Side

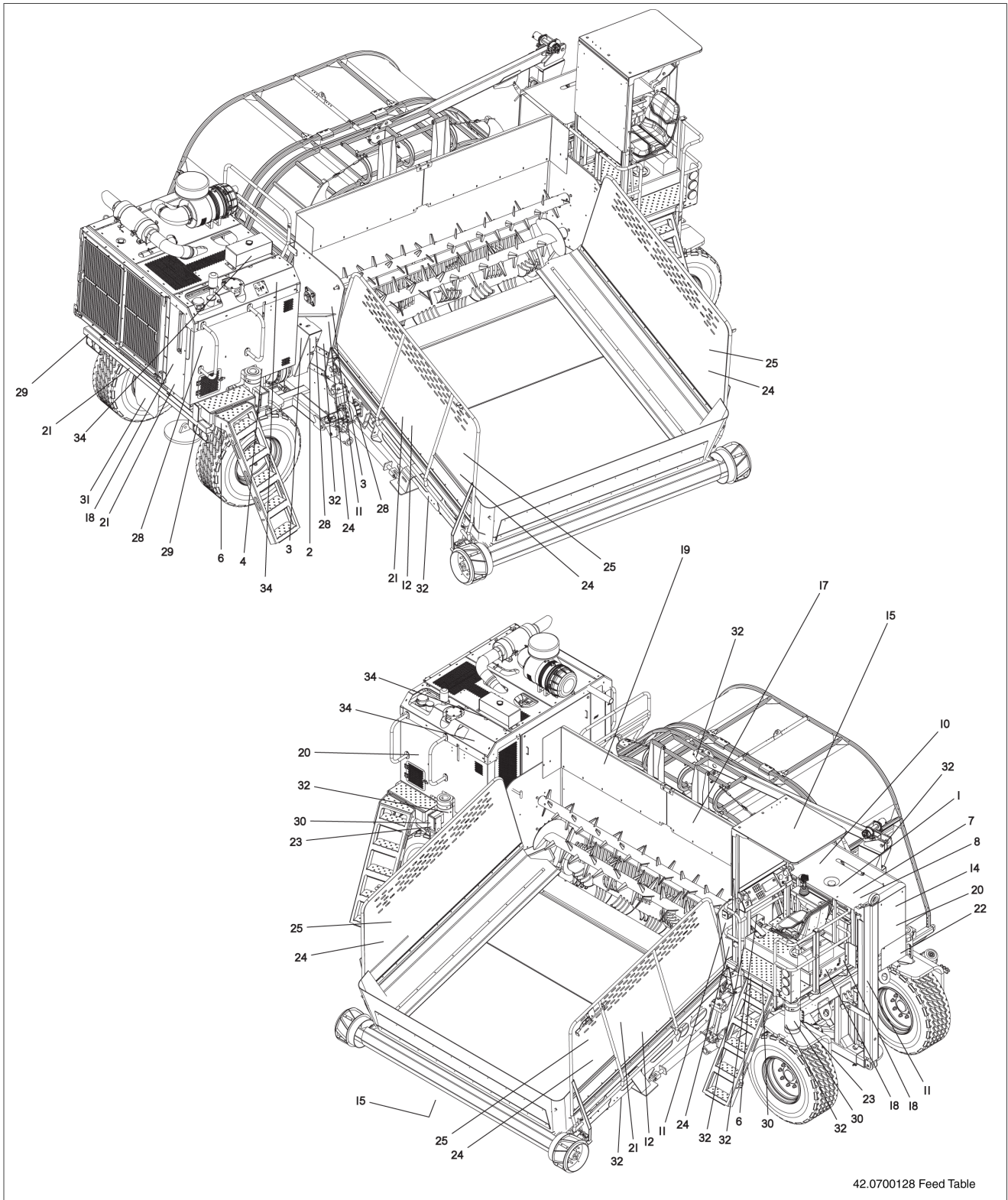


42.0700128 Tunnel

4.08 Asm: Mx1012 Decal Tunnel Side

Item	Part No.	Quantity	Description
4	21.09024	1	Decal - High Pres Oil
5	21.09025	3	Decal, Pinch Point
6	21.09026	3	Decal, Danger Walkways
7	21.21131	2	Decal, Welding Notice
11	40.00472	12	Decal, Warning Hand Crushing
14	42.0701570	1	Decal: Mx1012, 24 in.
20	42.0800935	3	Decal, Agbag 5.9 in. x 16 in.
23	42.0801142	4	Decal - Important, Lug Nuts
26	42.0900822	2	Decal - Warning Cable Entanglement
27	42.1501761	1	Decal - Patent List
30	907220	5	Decal, Ylw 2x9 Retroreflective
32	907510	26	Decal - Grease

4.09 Asm: Mx1012 Decal Feed Table Side

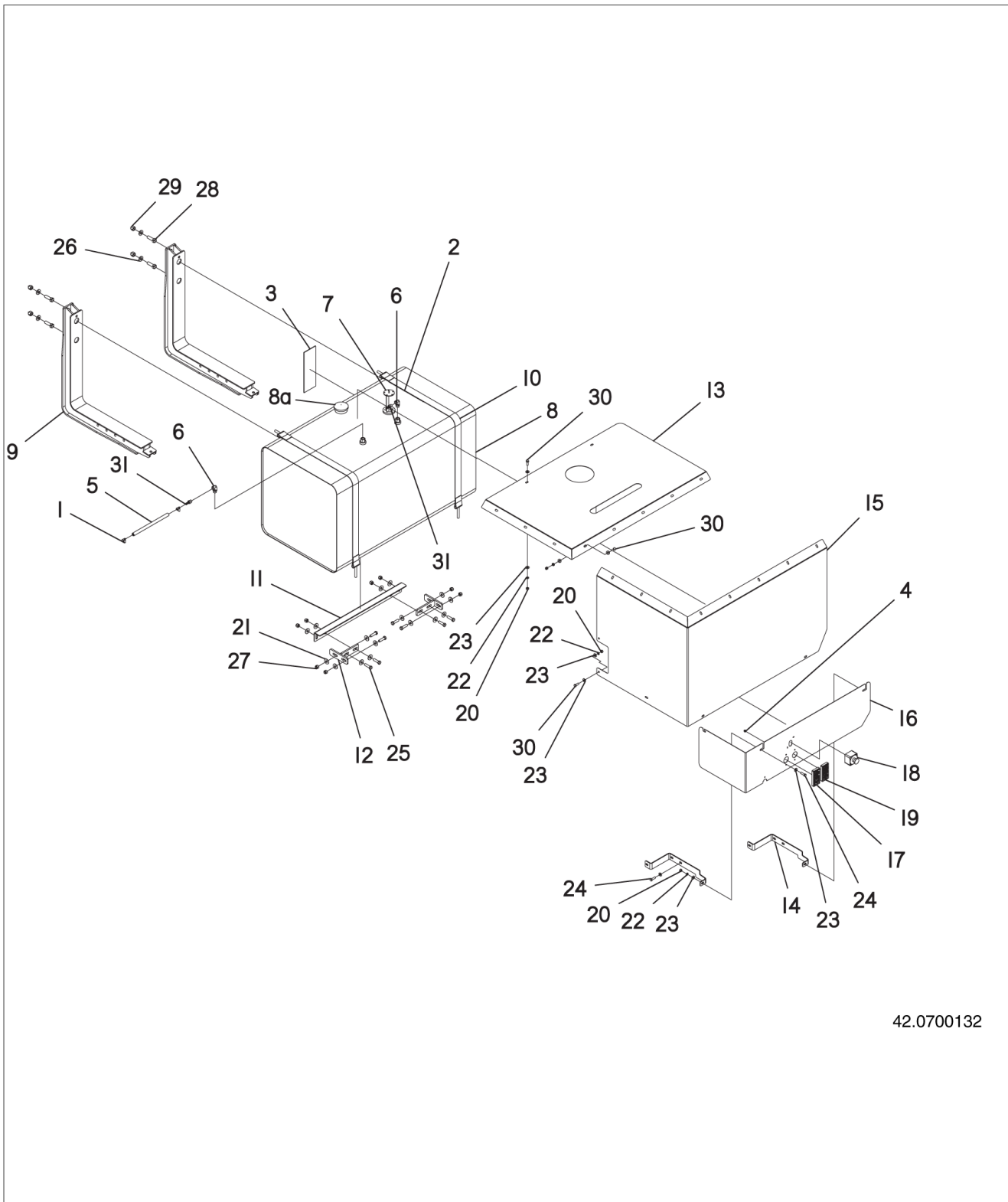


42.0700128 Feed Table

4.09 Asm: Mx1012 Decal Feed Table Side

Item	Part No.	Quantity	Description
1	16.20178	1	Decal, Before Operating
2	16.20179	2	Decal - Shield Is Off
3	16.20181	3	Decal - Rotating Parts
4	21.09024	1	Decal - High Pres Oil
6	21.09026	3	Decal, Danger Walkways
7	21.21131	2	Decal, Welding Notice
8	21.25450	1	Decal- Danger Start In Neutral
10	32.02943	1	Decal, Diesel Fuel
11	40.00472	12	Decal, Warning Hand Crushing
12	42.0701568	2	Decal: Mx1012 Commercial, 32 in.
14	42.0701570	1	Decal: Mx1012, 24 in.
15	42.0701571	2	Decal: Agbag, 12 in. x 32 in.
17	42.0701573	1	Decal: Mx1012, Vertical
18	42.0702219	2	Decal: Tow Valve Direction
19	42.0800934	3	Decal, Agbag 8.9 in. x 24.4 in.
20	42.0800935	3	Decal, Agbag 5.9 in. x 16 in.
21	42.0800936	4	Decal, Agbag 4 in. x 10.8 in.
22	42.0800938	2	Decal, Agbag.com 1.76 in. x 19.9 in.
23	42.0801142	4	Decal - Important, Lug Nuts
24	42.0900820	6	Decal - Danger, Rotor Entg'mt
25	42.0900821	4	Decal - Danger, Conveyor Entanglement
28	42.1530054	2	Decal - Oil Chain
29	907219	2	Decal, Red 2x9 Retroreflective
30	907220	5	Decal, Ylw 2x9 Retroreflective
31	907225	1	Decal - Smv Emblem
32	907510	26	Decal - Grease
34	21.62254	2	Decal: OAT Coolant 100mm

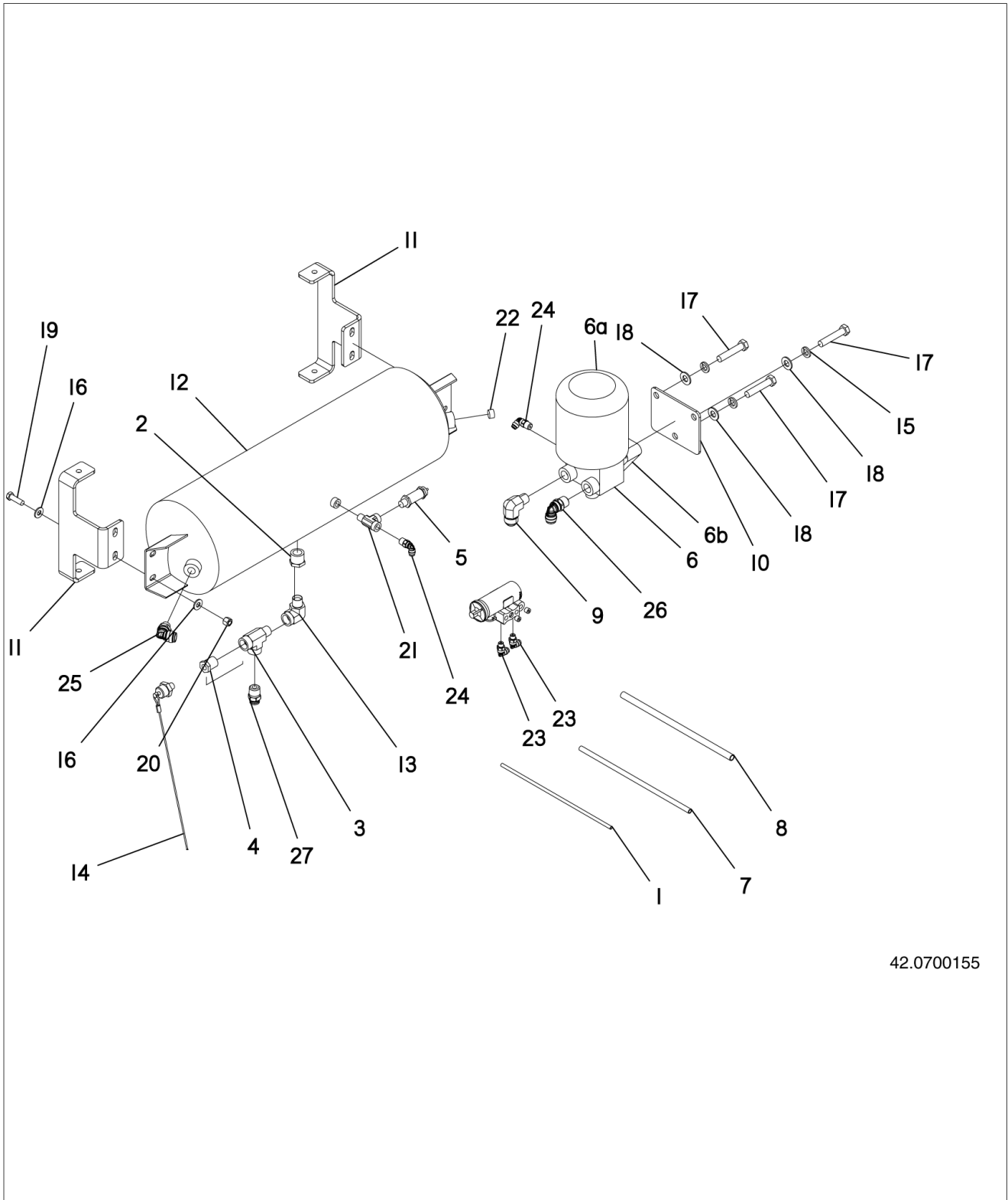
5.01 Asm: MX1012 Fuel Tank



5.01 Asm: MX1012 Fuel Tank

Item	Part No.	Quantity	Description
1	07.11695	2	Clamp: Worm .375-.875 In. Dia
2	11.77800	8 Ft	Webbing: 2 In. Black (Order Per Foot)
3	11.80553	10 Ft	Strip: Neoprene 1/8 x 4 In. (Order Per Foot)
4	21.21592	4	Nut: Hex M6
5	21.41817	11 Ft	Hose: Fuel Suction (Order Per Foot)
6	32.02293	2	Elbow: -08 ORB x 3/8 FPT 90
7	32.60254	1	Sender: Fuel Level
8	32.61631	1	Tank: Fuel 130 Gal 3304 Rect
8a	21.22943	1	Cap, Fuel 3 in. Vented
9	32.61736	2	Mount: Fuel Tank Rect
10	32.61740	2	Asm: Strap - Rect Fuel Tank
11	32.61848	1	Brace: Tank Support
12	32.61849	2	Support: Fuel Tank
13	42.0700967	1	Cover: Fuel Tank
14	42.0701001.8	2	Bracket: Support
15	42.0701020	1	Plate: Cover
16	42.0701677	1	Plate: Cover
17	42.0701924	1	Keypad: Can 3
18	42.0701962	1	Switch: E-Stop Remote
19	42.0701967	1	Keypad: Can 4
20	900366	20	Nut: Hex 3/8-16
21	900497	16	Washer: Flat 1/2 In. Std
22	900504	20	Washer: Lock 3/8 In.
23	901105	10	Washer: Flat 3/8 In. SAE
24	902367	7	Bolt: Hhd G5 3/8x1-1/4 In.
25	903518	8	Bolt: Hhd G5 1/2 x 1-3/4 In.
26	904814	8	Washer: Flat 5/8 In. Hardened
27	906401	8	Nut: Hex Nylon Lk 1/2-13
28	907588	4	Bolt: Hhd G8 5/8-18 x 2
29	907589	4	Nut: Hex 5/8-18 Nylock
30	907829	13	Bolt: Hhd Gr8 3/8-16 x 1 Yellow Zinc
31	908079	2	Fitting: Brass Strt 3/8 NPT 3/8 HB

5.02 Asm: MX1012 Air Tank & Dryer

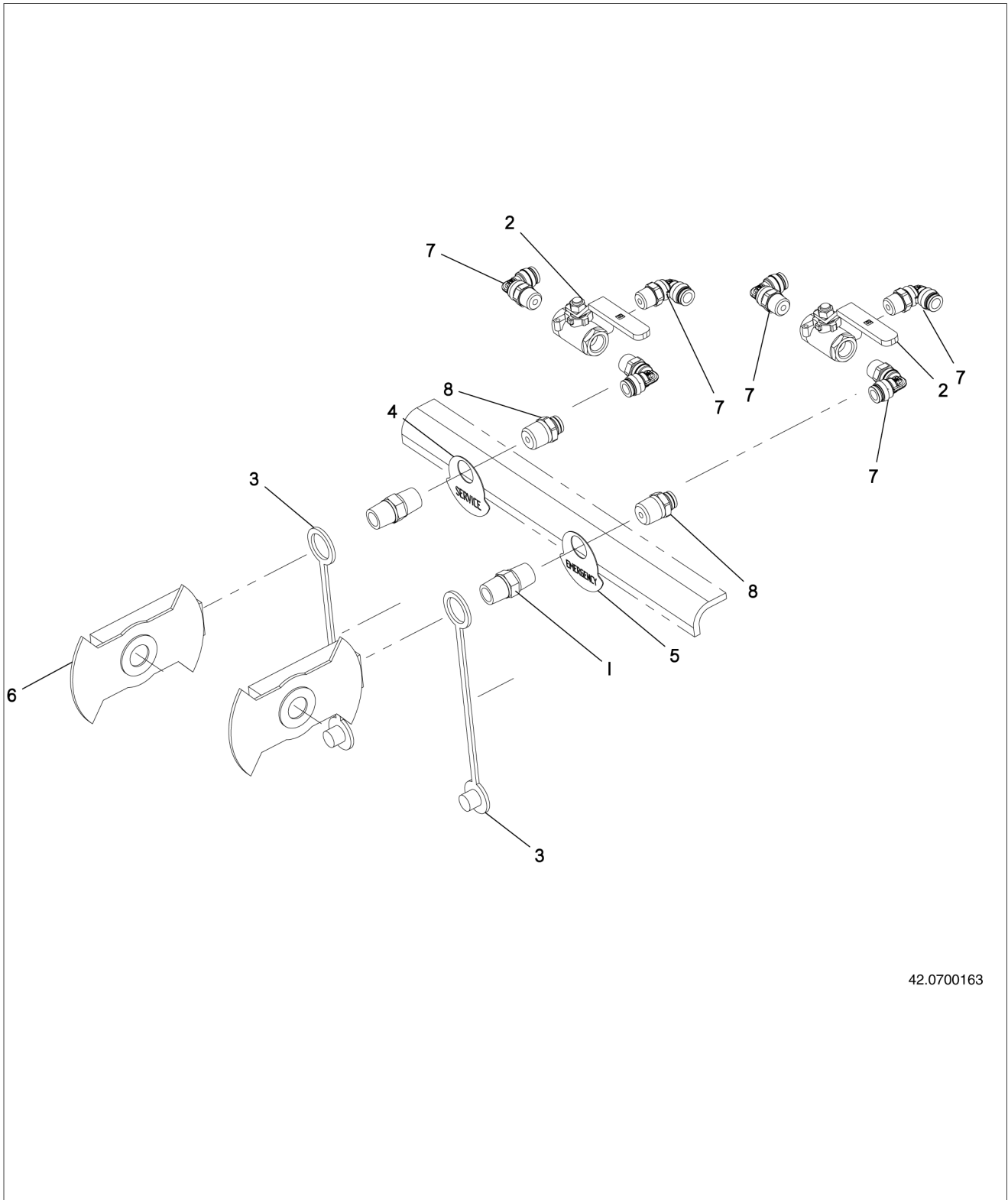


42.0700155

5.02 Asm: MX1012 Air Tank & Dryer

Item	Part No.	Quantity	Description
1	11.80539	60 Ft	Tubing: Nylon 1/4 Blue (Order Per Foot)
2	32.00698	1	Bushing: Stainless Steel 3/4 x 1/2 In.
3	32.01603	1	Tee: 1/2 In. NPTF Service
4	32.60002	1	Bushing: 1/4 x 1/2 NPT Steel
5	32.60381	1	Valve: Safety 150 Psi
6	32.60723	1	Dryer: Air Bendix
6a	32.61157	1	Element
6b	32.60861	1	Purge Valve
7	32.60724	140 Ft	Tubing: Air 3/8 Blue Nylon (Order Per Foot)
8	32.60725	10 Ft	Tubing: Air 1/2 Blue Nylon (Order Per Foot)
9	32.60755	1	Elbow: 1/2 MPT x 3/4 MJIC
10	42.0701835.5	1	Bracket: Air Dryer
11	42.0702152.5	2	Bracket: Air Tank Mount
12	42.1501192	1	Tank: Air
13	42.1540458	1	Elbow: 90 Street #8 MP x #8 FP
14	42.1541541	1	Valve: Drain Midland
15	900506	3	Washer: Lock 1/2 In.
16	901105	16	Washer: Flat 3/8 In. SAE
17	901341	3	Bolt: Hhd G5 1/2 x 2-1/2 In.
18	901937	3	Washer: Flat 1/2 In. SAE
19	902367	8	Bolt: Hhd G5 3/8x1-1/4 In.
20	906400	8	Nut: Hex Nylon Lk 3/8-16
21	907146	1	Tee: 1/4-18 NPT M/F/F
22	907926	1	Plug: 3/8 Socket Hd
23	908466	2	Elbow: 1/8 MPT x 1/4 Tube
24	908467	2	Elbow: 1/4 MPT x 1/4 Tube
25	908470	1	Elbow: 3/8 MPT x 1/2 Tube
26	908471	1	Elbow: 1/2 MPT x 1/2 Tube
27	908526	1	Connector: 1/2 MPT x 1/2 Tube

5.03 Asm: MX1012 Gladhand

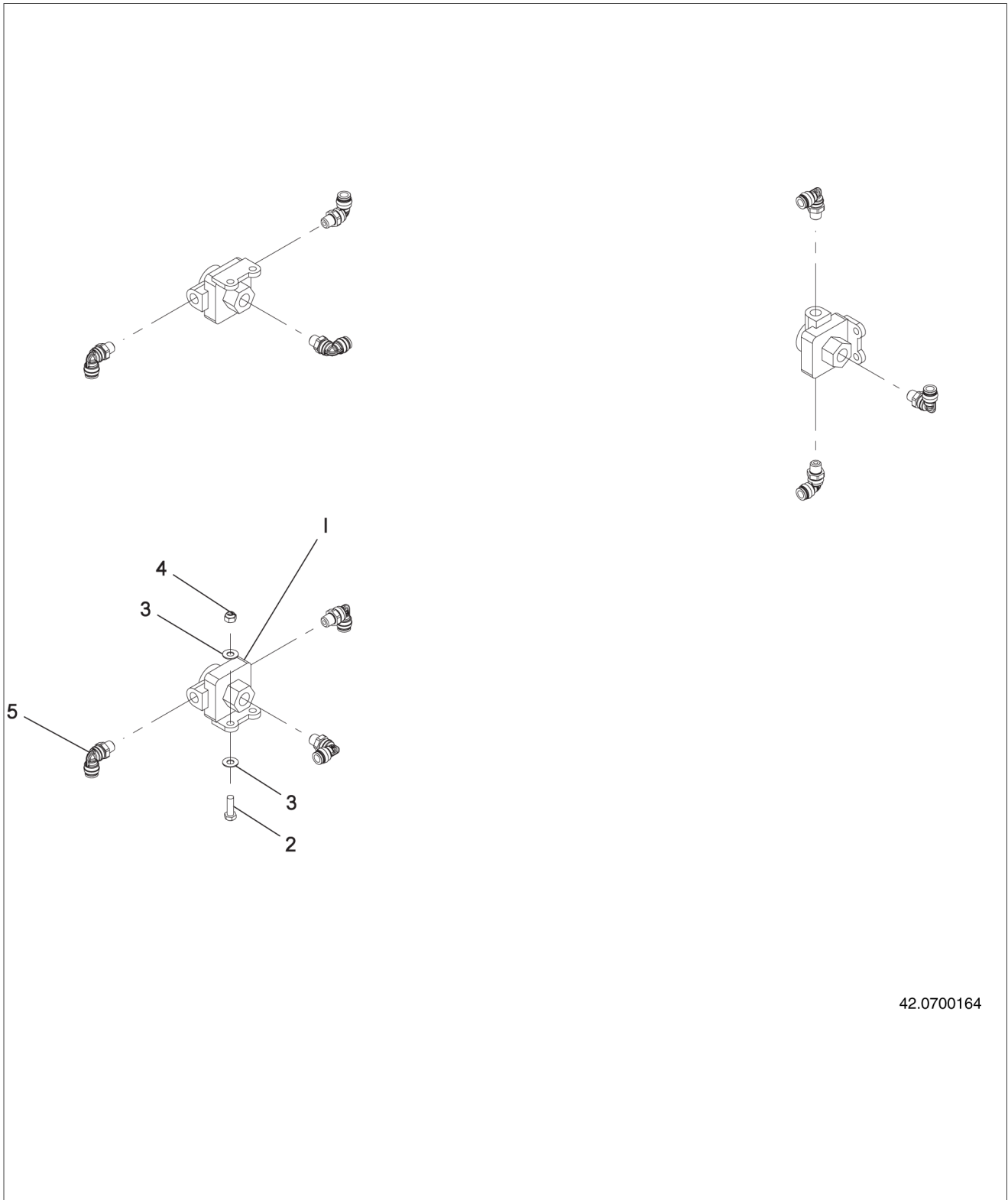


42.0700163

5.03 Asm: MX1012 Gladhand

Item	Part No.	Quantity	Description
1	09.74113	2	Nipple - Pipe 1/2 Hex
2	42.0701671	2	Valve: 3-Way Ball
3	42.0801026	2	Plug, Gladhand
4	42.0801027	1	Tag, Service Gladhand
5	42.0801028	1	Tag, Emergency Gladhand
6	42.1501038	2	Coupler, Gladhand Midland
7	908469	6	Elbow: 3/8 MPT x 3/8 Tube
8	908489	2	Connector: 1/2 MPT x 3/8 Tube

5.04 Asm: MX1012 Air Valve

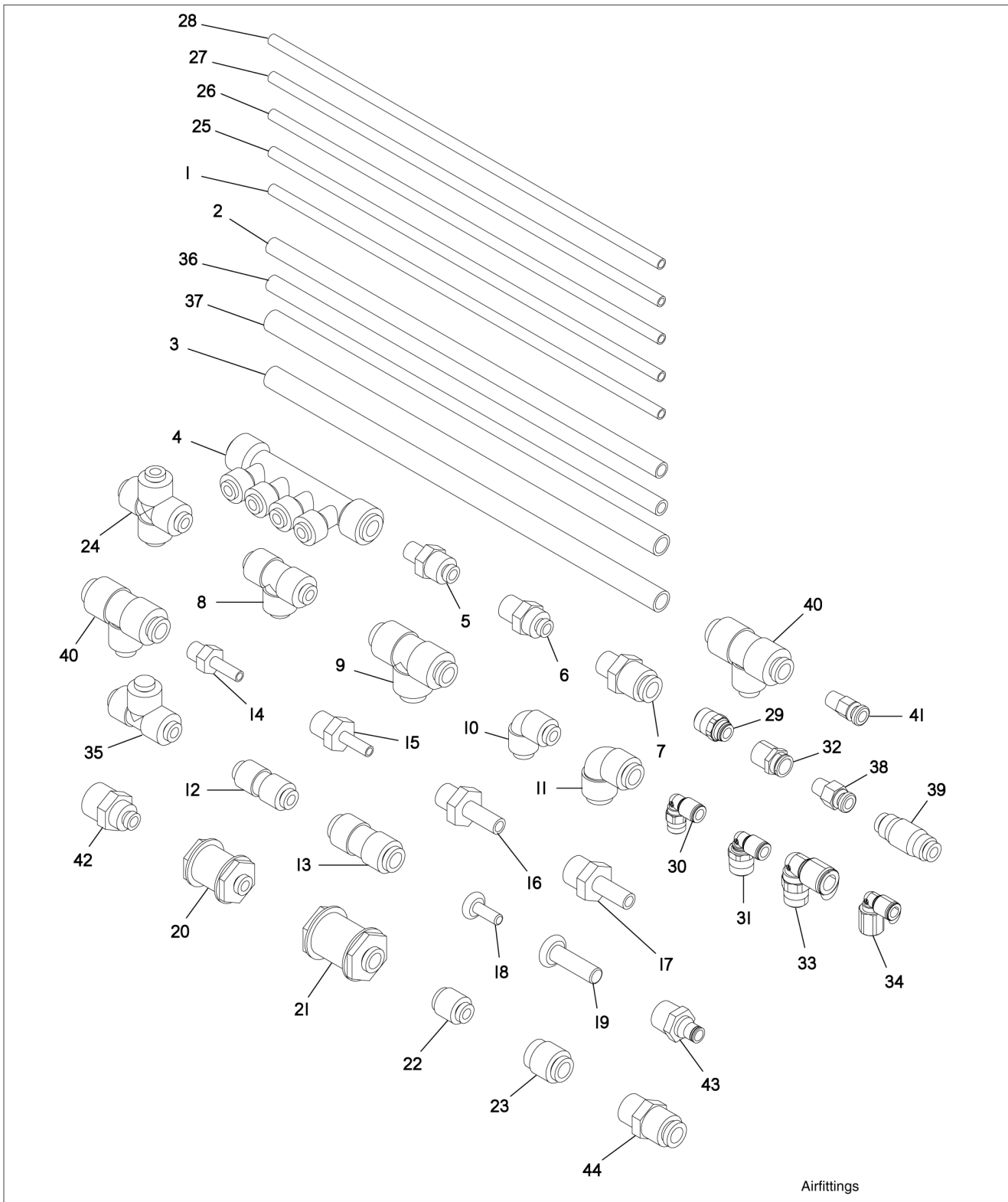


42.0700164

5.04 Asm: MX1012 Air Valve

Item	Part No.	Quantity	Description
1	32.60383	3	Valve, Quick Release 229813
2	907349	6	Hhdbl - Stainless Steel 5/16-18 x 1
3	907379	12	Washer, Stainless Steel 5/16 Flat
4	907390	6	Hhdnut, 5/16-18 Stainless Steel Nylock
5	908468	9	Elbow: 1/4 MPT x 3/8 Tube

5.05 Air Fittings



5.05 Air Fittings

Item	Part No.	Quantity	Description
1	11.80528	AR	Tubing, 1/4 in. Nylon Air
2	11.80529	AR	Tubing, 3/8 in. Nylon Air
3	11.80530	AR	Tubing, 1/2 in. Nylon Air
4	32.02370	AR	Manifold, Air Line
5	32.01480	AR	Connector, 1/4 in. Tube x 1/8 in. MPT
6	32.01481	AR	Connector, 1/4 in. Tube x 1/4 in. MPT
7	32.01482	AR	Connector, 3/8 in. Tube x 1/4 in. MPT
8	32.01483	AR	Tee, 1/4 in. Air Union
9	32.01484	AR	Tee, 3/8 in. Air Union
10	32.01485	AR	Elbow, 1/4 in. Air Union
11	32.01486	AR	Elbow, 3/8 in. Air Union
12	32.01487	AR	Connector, 1/4 in. Air Union
13	32.01488	AR	Connector, 3/8 in. Air Union
14	32.01489	AR	Tube Stem, 1/4 in. Tube x 1/8 in. MPT
15	32.01490	AR	Tube Stem, 1/4 in. Tube x 1/4 in. MPT
16	32.01491	AR	Tube Stem, 3/8 in. Tube x 1/4 in. MPT
17	32.01492	AR	Tube Stem, 3/8 in. Tube x 3/8 in. MPT
18	32.01493	AR	Stem Plug, 1/4 in. Air
19	32.01494	AR	Stem Plug, 3/8 in. Air
20	32.01495	AR	Connector, 1/4 in. Air Bulkhead
21	32.01496	AR	Connector, 3/8 in. Air Bulkhead
22	32.01497	AR	Stop, 1/4 in. Air End
23	32.01498	AR	Stop, 3/8 in. Air End
24	32.03307	AR	Cross, 1/4 in. Air Union
25	11.80537	AR	Tubing, 1/4 in. Red Nylon Air
26	11.80538	AR	Tubing, 1/4 in. Green Nylon Air
27	11.80539	AR	Tubing, 1/4 in. Blue Nylon Air
28	11.80540	AR	Tubing, 1/4 in. Yellow Nylon Air
29	32.60016	AR	Connector, 1/4 in. MPT x 1/4 in. Tube
30	32.60017	AR	Elbow, 1/8 in. MPT x 1/4 in. Tube
31	32.60018	AR	Elbow, 1/4 in. MPT x 1/4 in. Tube
32	32.60735	AR	Air Fitting, 1/4 in. MPT x 3/8 in. Tube
33	32.60732	AR	Elbow, 1/4 in. MPT x 1/4 in. Tube
34	32.60802	AR	Elbow, 1/4 in. Tube x 1/8 in. FPT
35	32.04374	AR	Valve, 1/4 in. Pneumatic
36	32.60724	AR	Tubing, 3/8 in. Blue Nylon Air
37	32.60725	AR	Tubing, 1/2 in. Blue Nylon Air
38	21.00265	AR	1/8 in. NPT x 1/4 in. Compression Fitting
39	32.04900	AR	Check Valve, 1/4 in. Air
40	32.02949	AR	Tee, 3/8 in. x 1/4 in. Air Union
41	32.61943	AR	Fitting, 1/8 in. NPT x 1/4 in. Int Hex

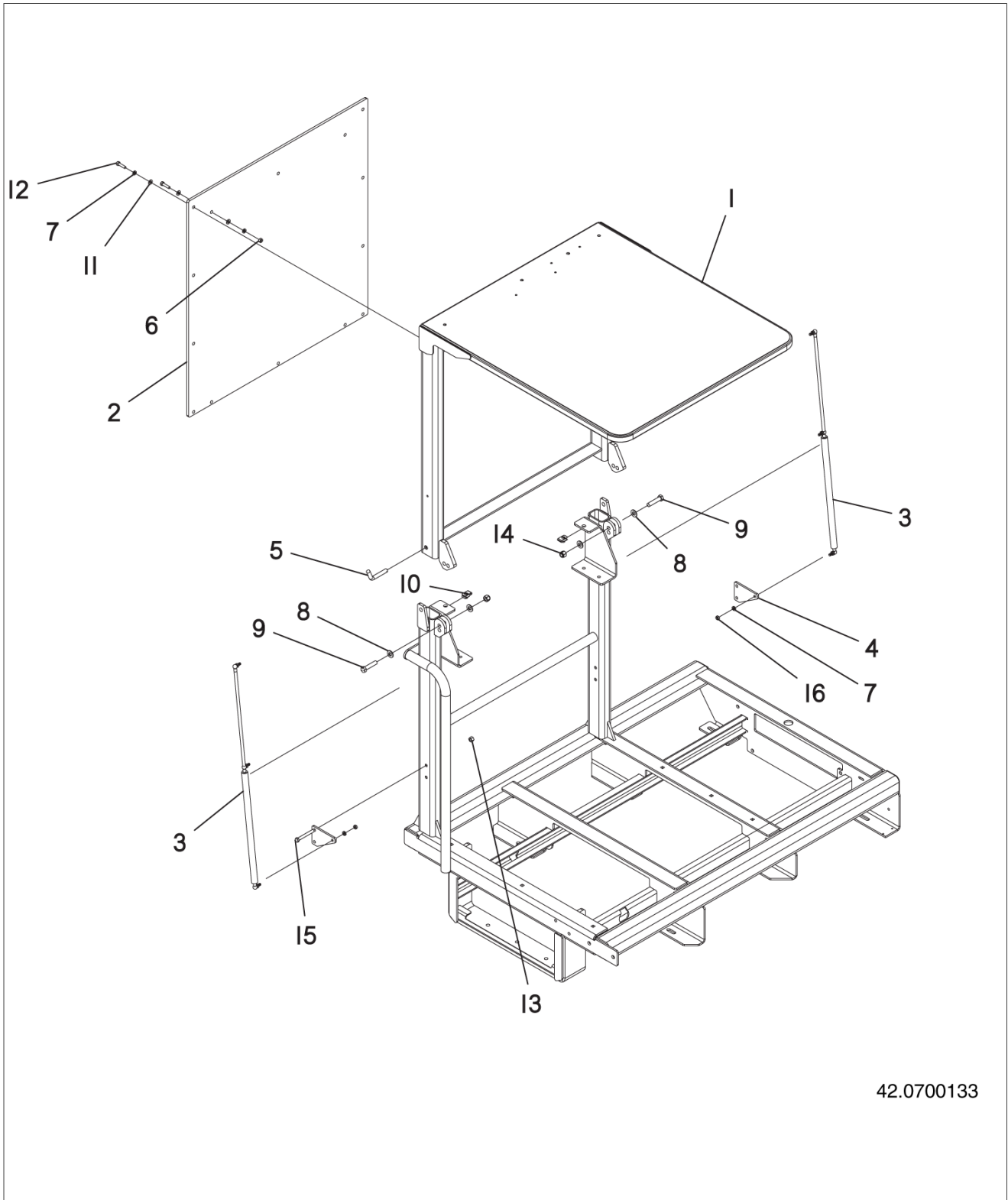
Section 5

5.05 Air Fittings

Item	Part No.	Quantity	Description
42	32.05562	AR	Connector, 1/4 in. Tube x 1/4 in. FPT
43	42.1541416	AR	Connector, Air Line, 1/4 in. Tube x 3/8 in. MP
44	908082	AR	Connector, 3/8 in. Tube x 3/8 in. MPT

This Page Intentionally Left Blank

6.01 Asm: MX1012 Canopy

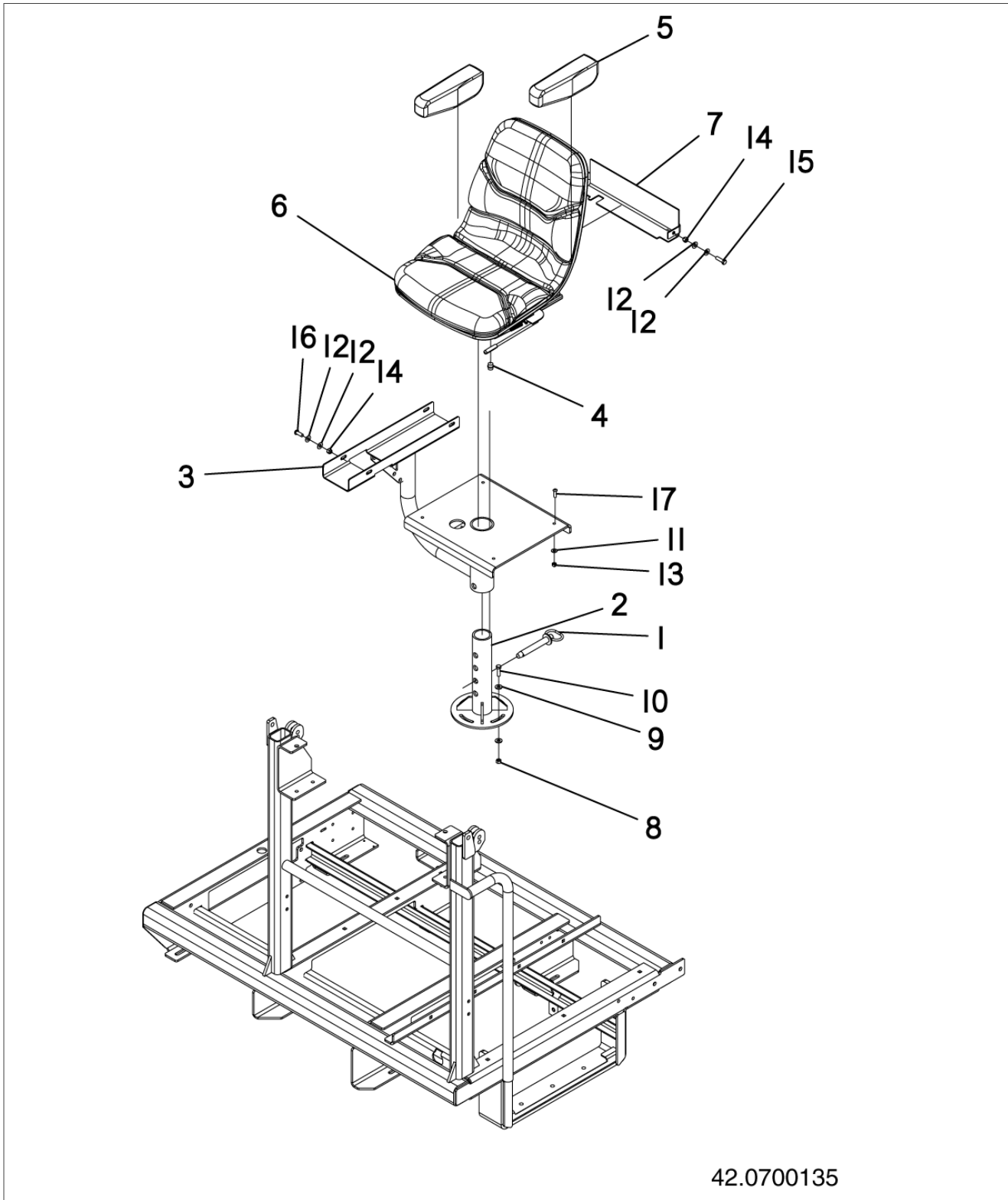


42.0700133

6.01 Asm: MX1012 Canopy

Item	Part No.	Quantity	Description
1	42.0700633.4	1	Wdmt: Canopy
2	42.0700639	1	Shield: Op Station Canopy
3	42.0701453	2	Shock: Gas Spring
4	42.0701454.8	2	Plate: Lower Shock Mount
5	42.0701679	2	Pin: Bent
6	900365	6	Nut: Hex 5/16-18
7	900503	16	Washer: Lock 5/16 In.
8	901937	4	Washer: Flat 1/2 In. SAE
9	903300	2	Bolt: Hhd G5 1/2 x 2-1/4 In.
10	904172	2	Nut: Clip 3-/8-16
11	904324	21	Washer: Flat 5/16 In.
12	904464	14	Bolt: Hhd G5 5/16 x 1-1/4 Yellow Zinc
13	906400	4	Nut: Hex Nylon Lk 3/8-16
14	906401	2	Nut: Hex Nylon Lk 1/2-13
15	907545	4	Bolt: Hhd SS 3/8-16 x 3
16	908279	2	Nut: Hex Stainless Steel 5/16-18 Nylock Jam

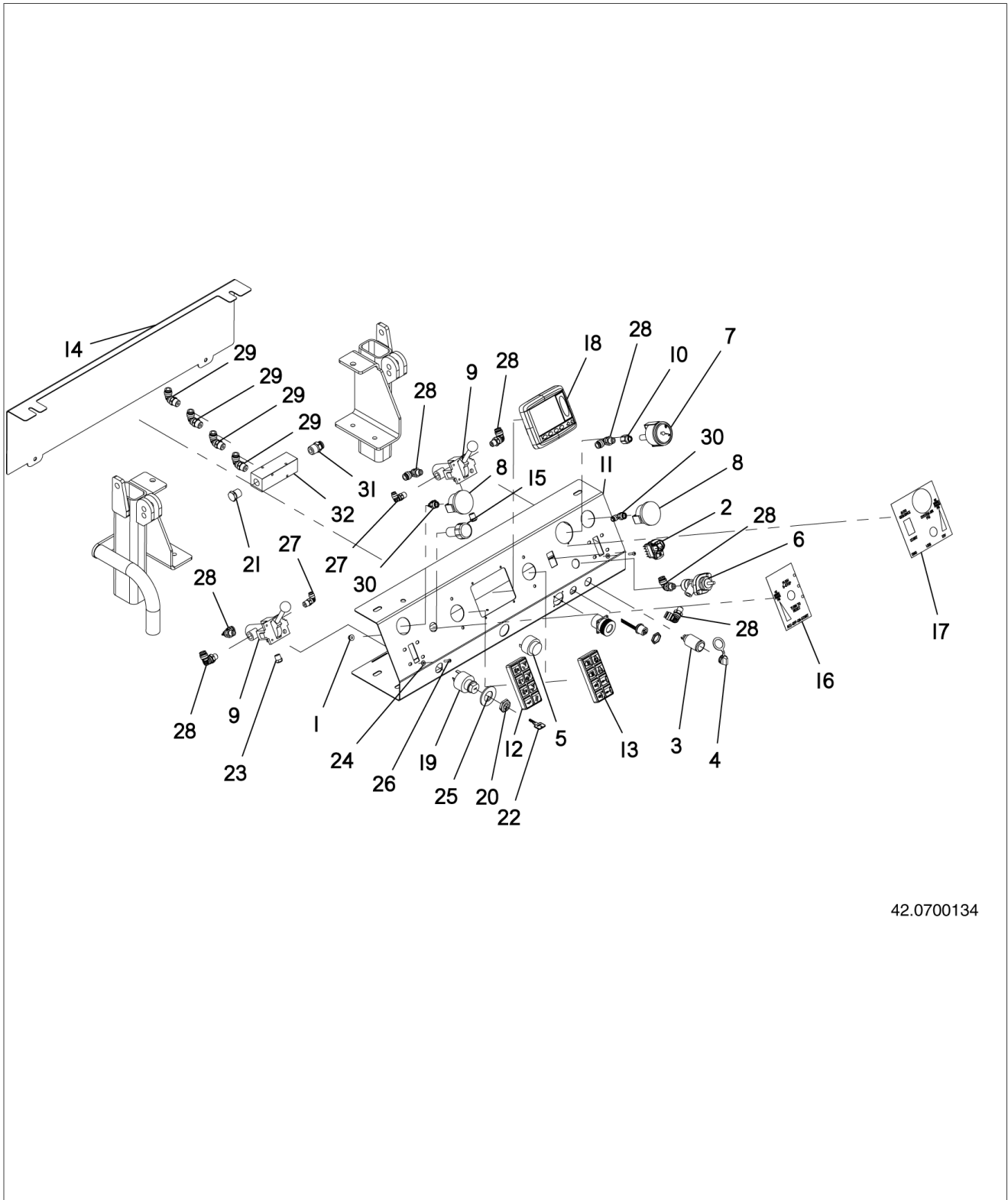
6.02 Asm: MX1012 Seat



6.02 Asm: MX1012 Seat

Item	Part No.	Quantity	Description
1	17.00778	1	Pin: Hitch 3/4 x 4-1/2 In.
2	42.0700553.8	1	Wdmt: Seat Base
3	42.0700638.8	1	Wdmt: Seat Stand
4	42.0701012	1	Switch: Op Presence
5	42.0701955	1	Armrest: Op Station Seat
6	42.0701956	1	Seat: Op Station
7	42.0702222.5	1	Plate: Seat Sensor Cover
8	900366	4	Nut: Hex 3/8-16
9	901105	8	Washer: Flat 3/8 In. SAE
10	902367	4	Bolt: Hhd G5 3/8x1-1/4 In.
11	907379	4	Washer: Stainless Steel Flat 5/16
12	907380	6	Washer: Stainless Steel Flat 3/8 In.
13	907390	4	Nut: Hex Stainless Steel Nylok 5/16-18
14	907391	3	Nut: Hex Stainless Steel Nylok 3/8-16
15	907425	2	Bolt: Hhd Stainless Steel 3/8-16 x 1-1/4
16	907467	1	Bolt: Btnhd 3/8-16 x 1 In. Stainless Steel
17	907615	4	Bolt: Btnhd 5/16-18 x 1 Stainless Steel

6.03 Asm: MX1012 Gauge Panel

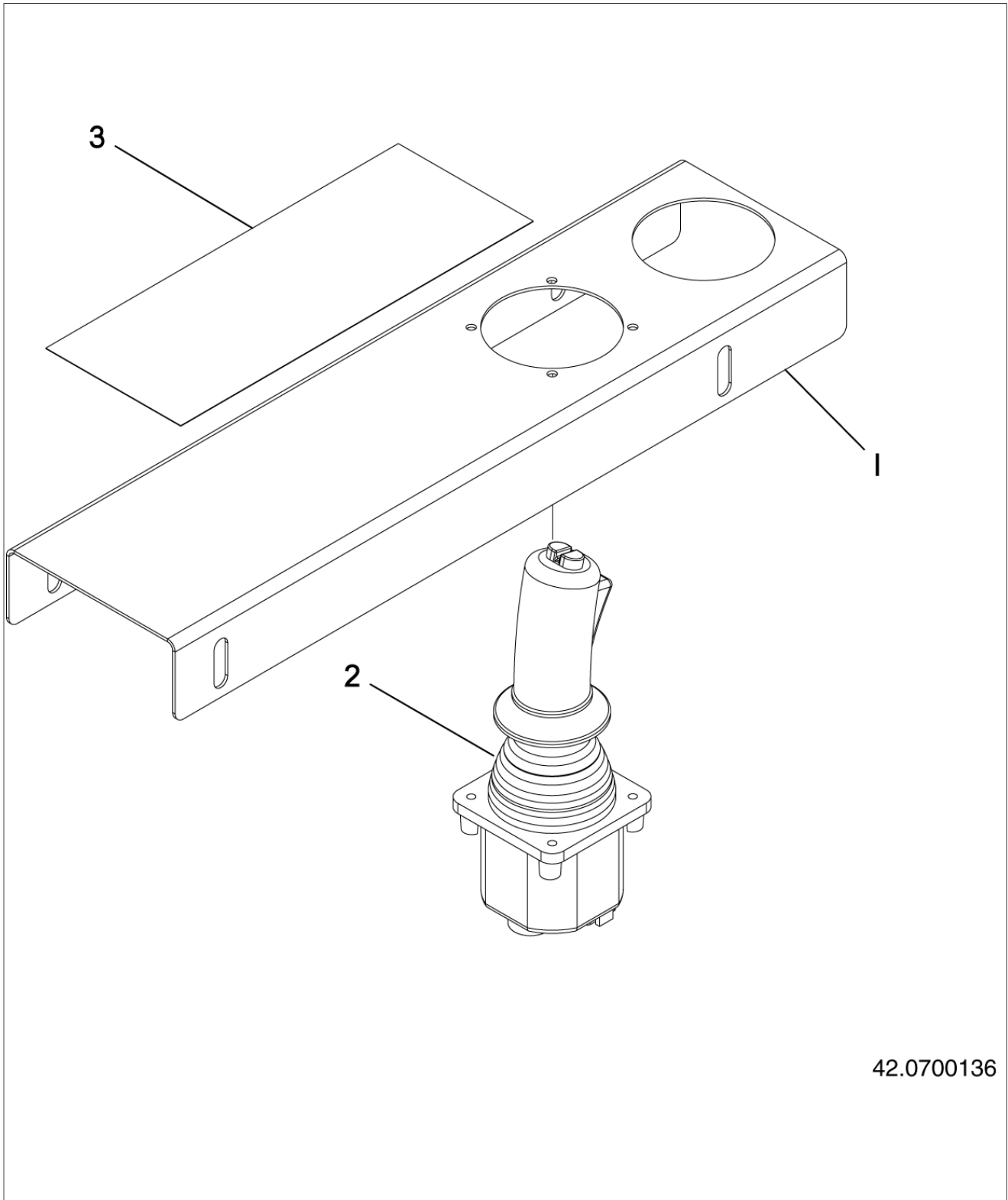


42.0700134

6.03 Asm: MX1012 Gauge Panel

Item	Part No.	Quantity	Description
1	21.21592	4	Hhdnut M6 Flange Nyl0ck
2	21.46688	1	Switch: Toggle 2 Pos 2 Pole Detent Pto
3	21.51049	1	Housing: Power Outlet
4	21.51050	1	Cap: Power Outlet
5	32.03776	1	Buzzer, Warning
6	32.60378	1	Valve, Air Parking
7	32.60397	1	Gauge, Air Pressure
8	42.0701672	2	Gauge: Pressure
9	42.0701813	2	Valve: Brake
10	42.0701822	1	Coupling: 1/4 NPTF x 1/8 NPTF
11	42.0701921.8	1	Panel: Dash
12	42.0701922	1	Keypad: Can 1
13	42.0701923	1	Keypad: Can 2
14	42.0701960.8	1	Plate: Gauge Panel Cover
15	42.0701961	1	Switch: Emergency Stop, Dash
16	42.0702080	1	Decal: Mx1012 Gauge Panel, Left
17	42.0702081	1	Decal: Mx1012 Gauge Panel, Right
18	42.0702224	1	Module: Display IQAN MD3
19	42.1501514	1	Switch, Ignition
20	42.1501515	1	Nut, Ignition Switch
21	42.1540407	1	Plug - Hex Head #8 MP
22	44.22205	1	Key, Miller Ignition
23	46.04709	2	Breather Plug Rams(94) 1/4 in. MPT
24	907494	6	Washer, #10 Flat Stainless Steel
25	907530	1	Washer, 1 in. Stainless Steel Flat
26	908273	6	Pn Hd Screw, #8-32 x 3/4
27	908467	2	Elbow: 1/4 MPT x 1/4 Tube
28	908468	7	Elbow: 1/4 MPT x 3/8 Tube
29	908469	4	Elbow: 3/8 MPT x 3/8 Tube
30	908472	2	Elbow: 1/8 FPT x 1/4 Tube
31	908526	1	Connector: 1/2 MPT x 1/2 Tube
32	908530	1	Manifold: 1/2 NPT x 3/8 NPT Alum

6.04 Asm: MX1012 Joystick

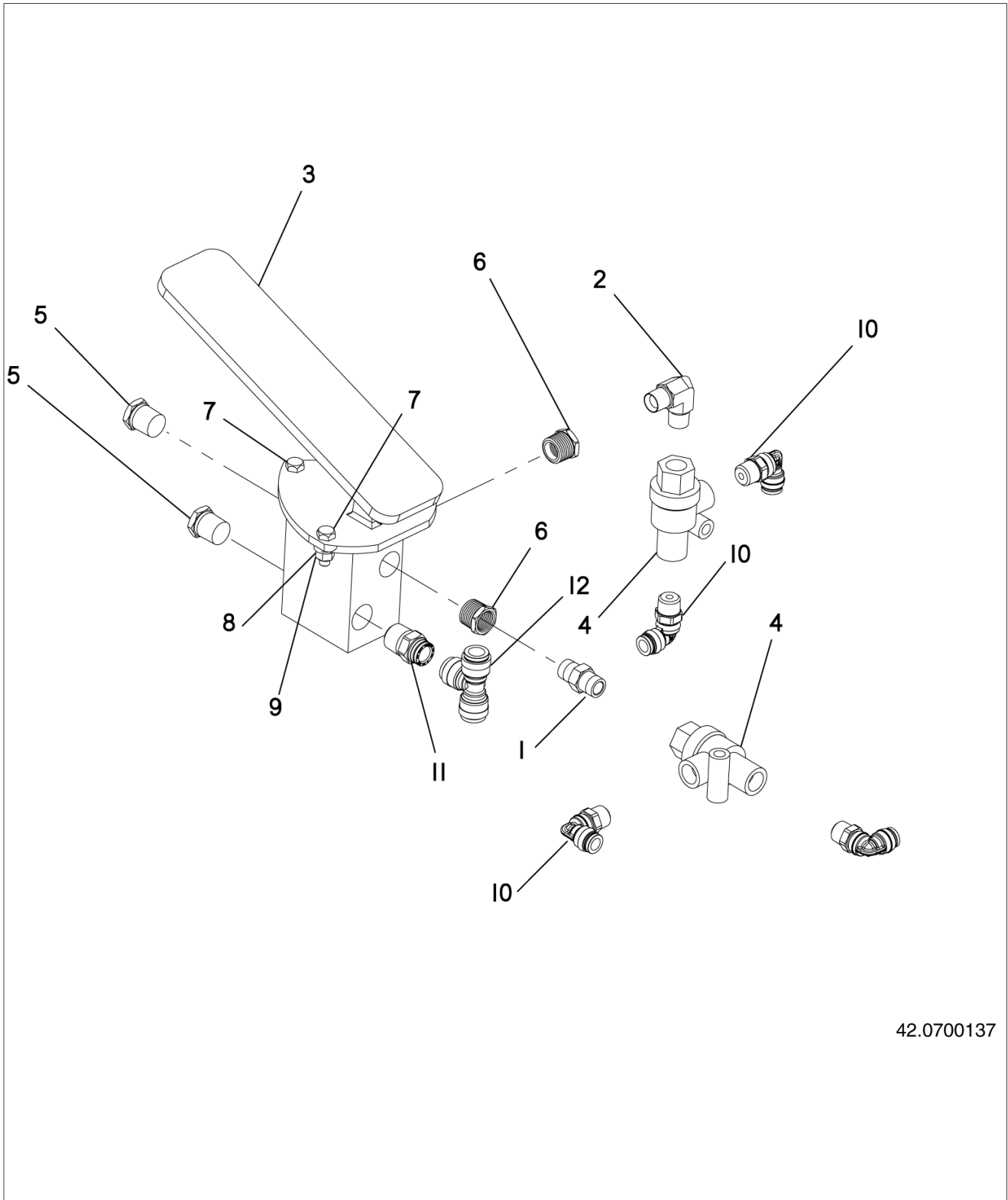


42.0700136

6.04 Asm: MX1012 Joystick

Item	Part No.	Quantity	Description
1	42.0700587.8	1	Bracket: Armrest
2	42.0701925	1	Joystick: Drive JC6000 2-Button
3	42.0702135	1	Decal: Joystick Controls

6.05 Asm: MX1012 Brake Pedal

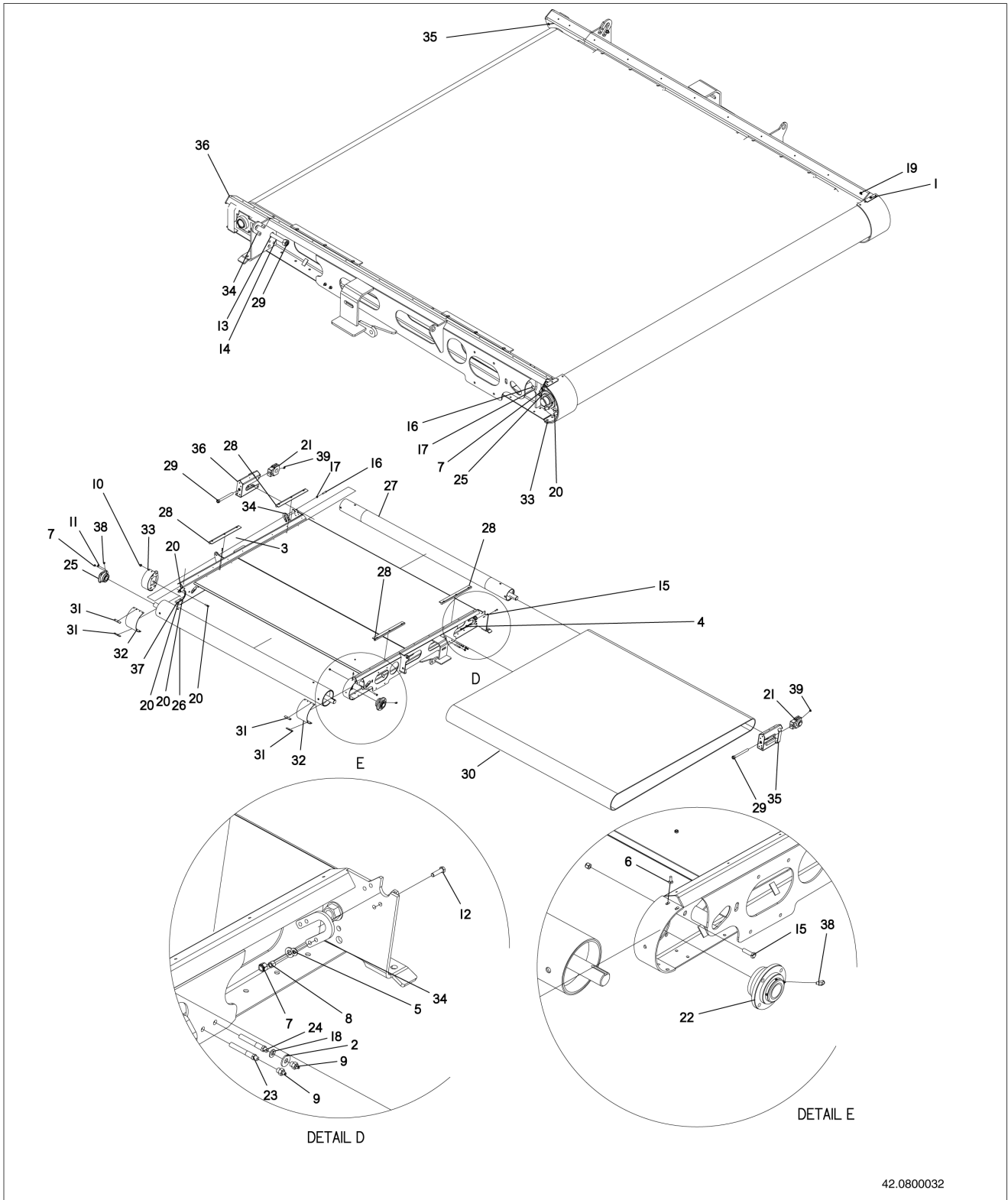


42.0700137

6.05 Asm: MX1012 Brake Pedal

Item	Part No.	Quantity	Description
1	09.74138	1	Nipple, Hex 3/8 NPTF
2	32.01607	1	Elbow, 3/8 MPT x 3/8 MPT
3	32.60356	1	Valve, Treadle Wm472d
4	42.0801066	2	Valve, Double Check Air Brakes
5	42.1540407	2	Plug - Hex Head #8 MP
6	44.03029	2	Bushing, 1/2 x 3/8 Brass
7	902859	3	Bolt: Hhd G5 5/16 x 1 In. Yellow Zinc
8	904324	3	Washer - Flat 5/16 in.
9	906483	3	Hhdnut, 5/16-18 Nylock
10	908469	4	Elbow: 3/8 MPT x 3/8 Tube
11	908526	1	Connector: 1/2 MPT x 1/2 Tube
12	908527	1	Tee: 1/2 in. Tube Union

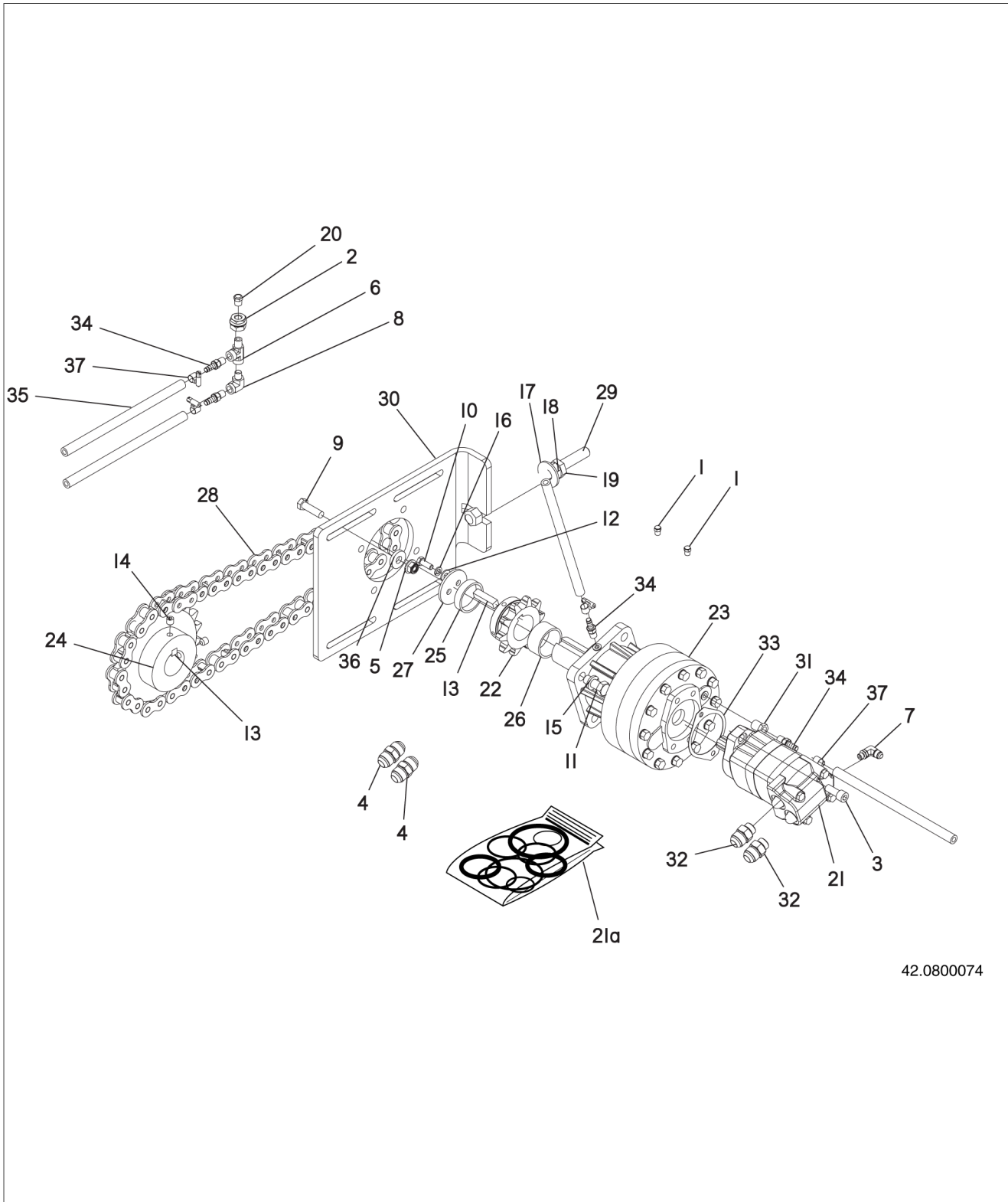
7.01 Asm: Center Feedtable



7.01 Asm: Center Feedtable

Item	Part No.	Quantity	Description
1	908279	8	Nut: Hex Stainless Steel 5/16-18 Nylock Jam
2	907869	2	Washer: Flat M12 Din125
3	907800	12	Screw: Hhd - Stainless Steel 1/4-20 x 1-1/4 Tc
4	907600	8	Washer: Flat 3/8 Hardened
5	907594	16	Washer: Flat 1/2 Hardened
6	907454	8	Bolt: Car Stainless Steel 5/16-18 x 1 In.
7	906401	16	Nut: Hex Nylon Lk 1/2-13
8	906400	8	Nut: Hex Nylon Lk 3/8-16
9	905501	4	Zerk: Grease - 1/8npt Female
10	905050	4	Nut: Lug - 9/16-18nf 90deg
11	904814	4	Washer: Flat 5/8 In. Hardened
12	903848	8	Bolt: Hhd G5 3/8 x 1-1/2 Yellow Zinc
13	903708	2	Washer: Flat 1 In.
14	903564	2	Nut: Hex 1-8 Unc
15	903518	12	Bolt: Hhd G5 1/2 x 1-3/4 In.
16	902636	1	Screw: Set 1/2 x 2-1/2 Sqhd
17	901763	1	Nut: Jam - 1/2-13
18	901105	2	Washer: Flat 3/8 In. SAE
19	900503	22	Washer: Lock 5/16 In.
20	42.1550102	4	Bolt: Hub 9/16-18 Nf x 2 G
21	42.1510251.8	2	Bearing: 2 3/16 Takeup
22	42.1510031.8	1	Bearing: 2-3/16 4-Bolt Flange
23	42.1500940	2	Whip: Grease 77 In.
24	42.1500598	2	Whip: Grease 13/16 x 48
25	42.1080182	1	Bearing: 2-3/16 4-Bolt Piloted
26	42.1080139	1	Roller: Feedtbl Drv 10 Ft
27	42.1080137	1	Roller: Feedtbl Idle 10 Ft
28	42.1080024	4	Guide: Fdtbl Belt 7/8x2x24 UHMW
29	42.1080000	2	Adjuster: Feedtable Roller
30	42.0901539	1	Belt: 108-1/2 x 242 Oal Cont Ls
31	42.0800396	4	Plate: Drive Roller Skirting
32	42.0800393	2	Skirt: Belt Rear Filler
33	42.0800323	1	Mount: Fdtbl Bearing Adjustable
34	42.0800260	2	Plate: Hinge Loop
35	42.0800085	1	Extension: Ft Idle Section
36	42.0800084	1	Extension: Ft Idle Section
37	42.0800083	1	Frame: Feed Table
38	32.61053	2	Elbow: 45 1/8 MPT x FPT
39	32.60003	2	Elbow: 1/8 FPT x 1/8 MPT

7.02 Feed Table Drive Assembly

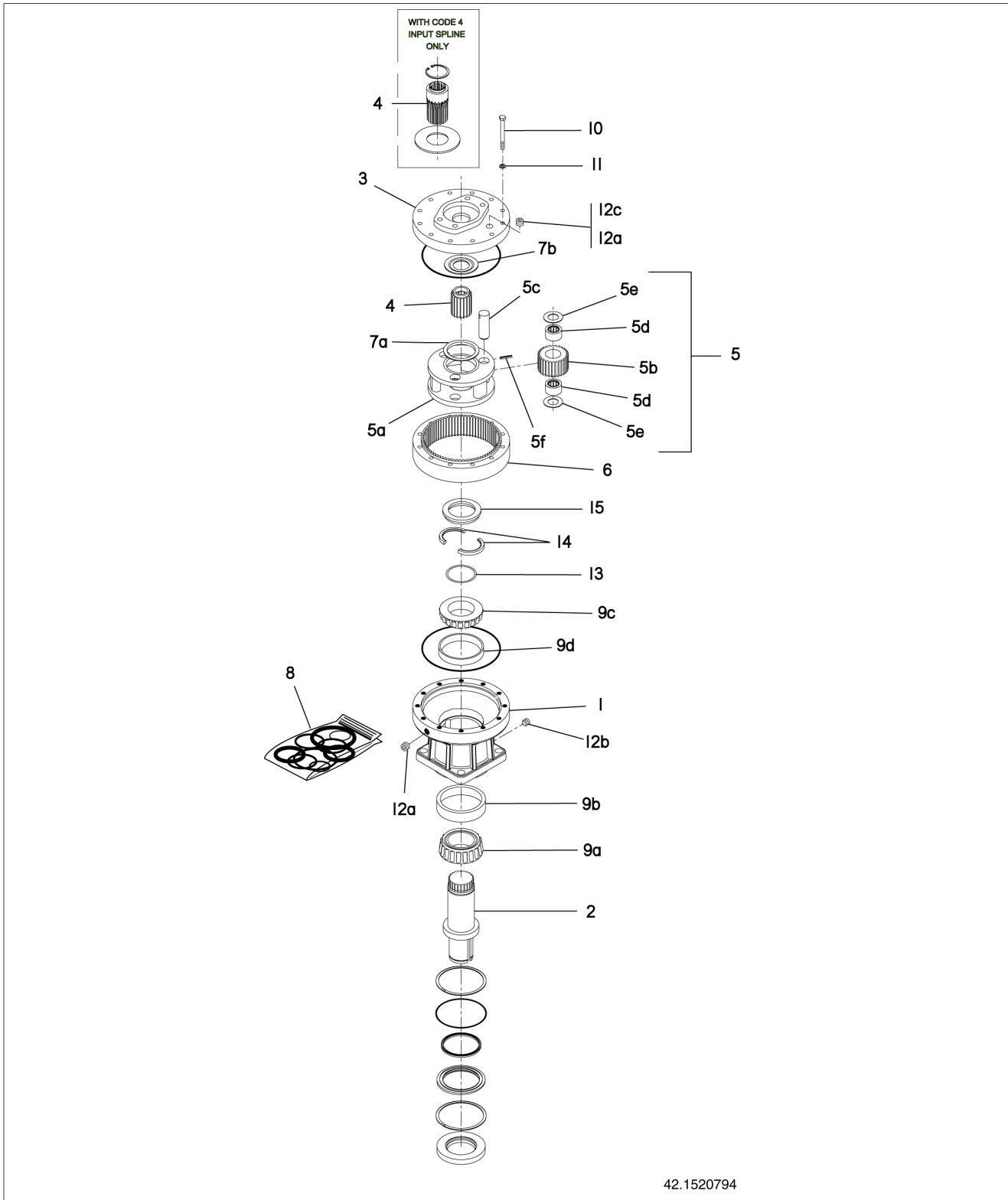


42.0800074

7.02 Feed Table Drive Assembly

Item	Part No.	Quantity	Description
1	908164	2	Plug: Breather 1/8 In. MPT
2	908163	1	Fitting: Bulkhead 1/4 In. FPT Brass
3	907781	2	Screw: Shc 1/2-13 x 1-1/4 Yellow Zinc
4	907557	2	Union: 12 JIC (male)
5	907399	4	Nut: Hex Nylon Lk 1/2-13 Flang
6	907146	1	Tee: 1/4-18 NPT M/F/F
7	906811	1	Elbow: 90d 7/16 9/16 O-Ring
8	905383	1	Elbow: 90d 1/4 NPT Strt
9	902050	4	Bolt: Hhd G5 1/2 x 2 In.
10	902300	2	Bolt: Hhd G5 3/8 x 1 In. Yellow Zinc
11	901619	4	Bolt: Hhd G5 5/8 x 1-1/2 In. Yellow Zinc
12	901105	2	Washer: Flat 3/8 In. SAE
13	900920	2	Key: Sq - 1/2 x 2
14	900844	2	Screw - Set 1/2 x 1/2 Hhd Cp
15	900508	4	Washer: Lock 5/8 In.
16	900504	2	Washer: Lock 3/8 In.
17	900499	1	Washer: Flat 3/4 In.
18	900372	1	Nut: Hex 3/4-10
19	900361	1	Nut: Jam 3/4 Hhd
20	46.04709	1	Plug: Breather Rams(94) 1/4 MPT in.
21	42.1541926.5	1	Motor: Hyd
21a	42.1541773	1	Seal Kit for Item 21
22	42.1520795	1	Sprocket: 100b10 2 In. B
23	42.1520794.8	1	Planetary: Feedtbl Drv 5:1 2 in.
24	42.1520104	1	Sprocket: 100b20 2-3/16 In. B
25	42.1080220	1	Bushing: Sprkt Innr (short)
26	42.1080219	1	Bushing: Sprkt Outr (long)
27	42.1080218.8	1	Burn: Wshr Ft Planet Shaft Esk.
28	42.0801402	1	Chain: Rir #100h Super Rvt Ust 50p
29	42.0800778	1	Wdmt: 3/4-10 x 12 In Thrd Rod
30	42.0800236	1	Mount: Feedtable Hyd Motor
31	32.60001	1	Bushing: 1/4 x 3/8 NPT Steel
32	32.02089	2	Adapter, -12 MJIC x -10 ORB
33	21.21262	1	Gasket: Fan Pump
34	21.20949	4	Fitting: 1/4 MPT x 3/8 HB
35	11.80555	16 Ft	Hose: Fuel 3/8 In. (Order Per Foot)
36	09.70941	4	Washer: Flat 1/2 In. (thick)
37	07.17210	4	Clamp: Worm .218-.625 In. Mini

7.03 Planetary Gearbox

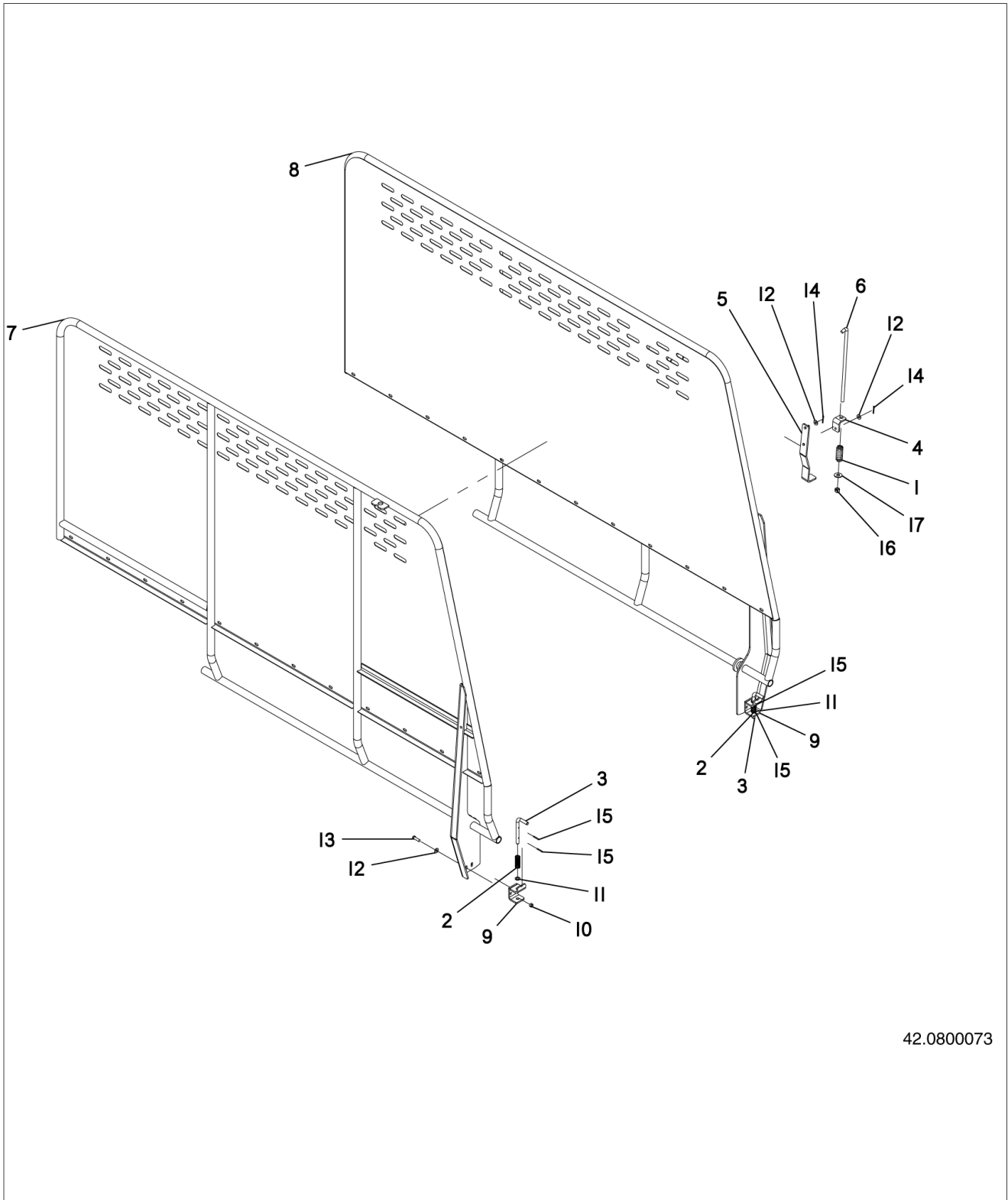


42.1520794

7.03 Planetary Gearbox

Item	Part No.	Quantity	Description
1	NSS	1	"G" Base-SAE 'C' Mount
2	42.0801186	1	2 in. Dia Shaft - 1/2 in. Keyway
3	NSS	1	Cover
4	42.0801187	1	Input Gear SAE 1 in. -6B Spline
5	42.0801188	1	Carrier Assembly
5a	NSS	1	Planet Thrust Washer
5b	NSS	3	Planet Gear
5c	NSS	3	Planet Shaft
5d	NSS	6	Planet Bearing
5e	NSS	6	Planet Thrust Washer
5f	NSS	3	Roll Pin 3/16 in. x 7/8 in.
6	42.0801189	1	Ring Gear
7a	42.0801190	1	Carrier Thrust Washer
7b	42.0801191	1	Input Thrust Washer
8	42.0801192	AR	Seal Kit
9a	42.0801193	1	Bearing Cone (Outer)
9b	42.0801194	1	Bearing Cup (Outer)
9c	42.0801195	1	Bearing Cone (Inner)
9d	42.0801196	1	Bearing Cup (Inner)
10	NSS	12	CapScrew, Hex 7/16-20 Gr 8
11	NSS	12	Washer, Lock 7/16 in.
12a	NSS	2	Pipe, Plug Magnetic 3/8 in. NOT-Soc Hd
12b	NSS	1	Pipe, Plug 1/4 in. NPT-Soc Hd
12c	NSS	1	Gease Fitting (Optional)
12d	NSS	1	Air Vent 3/8 in. NPT (Optional)
13	42.0801197	AR	Shims
14	NSS	1	Split Ring (Matching Halves)
15	NSS	1	Lock Ring

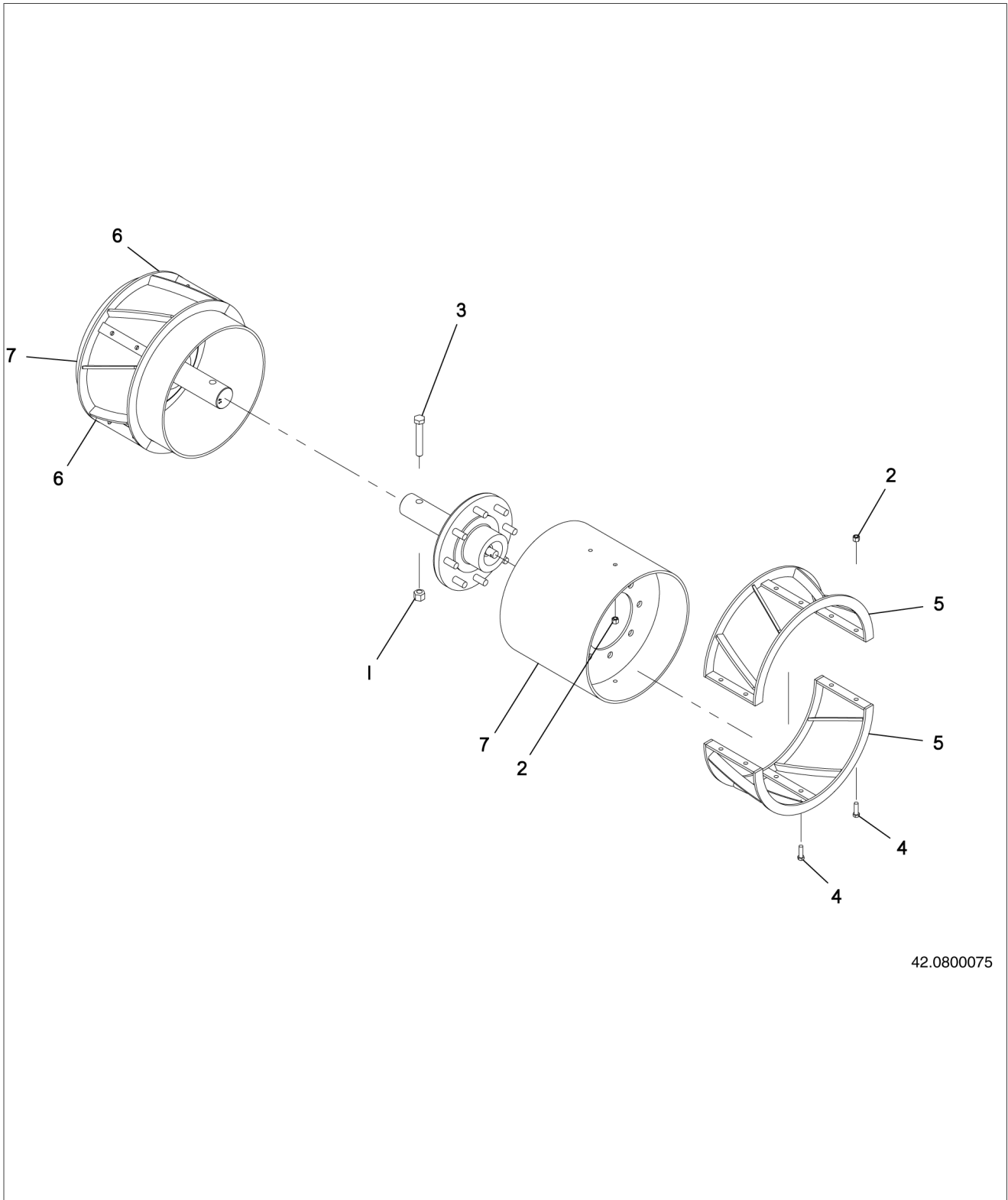
7.04 Feed Table Wing Assembly



7.04 Feed Table Wing Assembly

Item	Part No.	Quantity	Description
1	07.09563	1	Comp Spring, Inner Hold-Down
2	07.17764	2	Spring, Compression
3	17.00750	2	Pin: Cam Lever
4	42.0800308	1	Plate- Rod Mount
5	42.0800310	1	Latch Handle Wld
6	42.0800311	1	Rod, Wing Latch
7	42.0800329	1	Feedtable Wing Wld CE
8	42.0800332	1	Feedtable Wing Wld EE
9	42.0800336	2	Latch Mount Wld
10	900366	4	Hhdnut - 3/8-16
11	900509	2	Mach Bshg - 1/2 in. 14 Ga
12	901105	8	Washer - Flat 3/8 in. SAE
13	902367	4	Hhdblt, Gr 5, 3/8-16 x 1-1/4
14	902903	2	Pin: Stainless Steel Cotter 1/8 x 1-1/4 In.
15	904246	4	Pin - Spring 5/32 x 1-1/4
16	907392	1	Hhdnut, 1/2-13 Stainless Steel Nylock
17	907466	5	Washer, 1/2 Wide Flat Stainless Steel

7.05 Feed Table Wheel Assembly

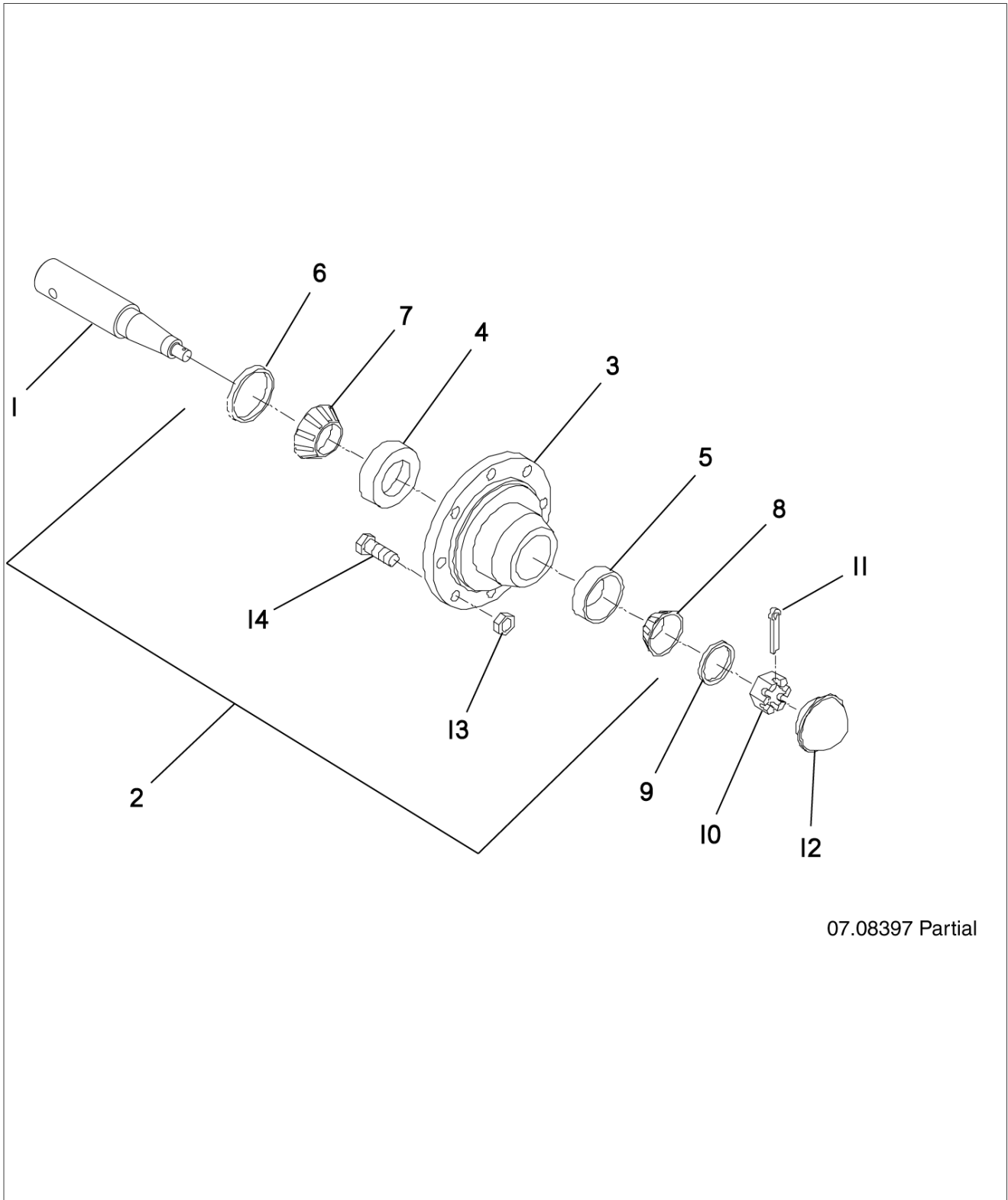


42.0800075

7.05 Feed Table Wheel Assembly

Item	Part No.	Quantity	Description
1	906402	2	Nut, Hex Lock, 5/8-11 Nylock
2	906400	16	Nut, Hex Lock, 3/8-16 Nylock
3	904218	2	Bolt, Hex, 5/8 in. x 4 in. Gr 5
4	902367	16	Bolt, Hex, 3/8-16 x 1-1/4 in. Gr 5
5	42.1080222	2	Cleat Weldment, Cab End
6	42.1080221	2	Cleat Weldment, Engine End
7	42.0800351	2	Wheel, Feed Table Weldment

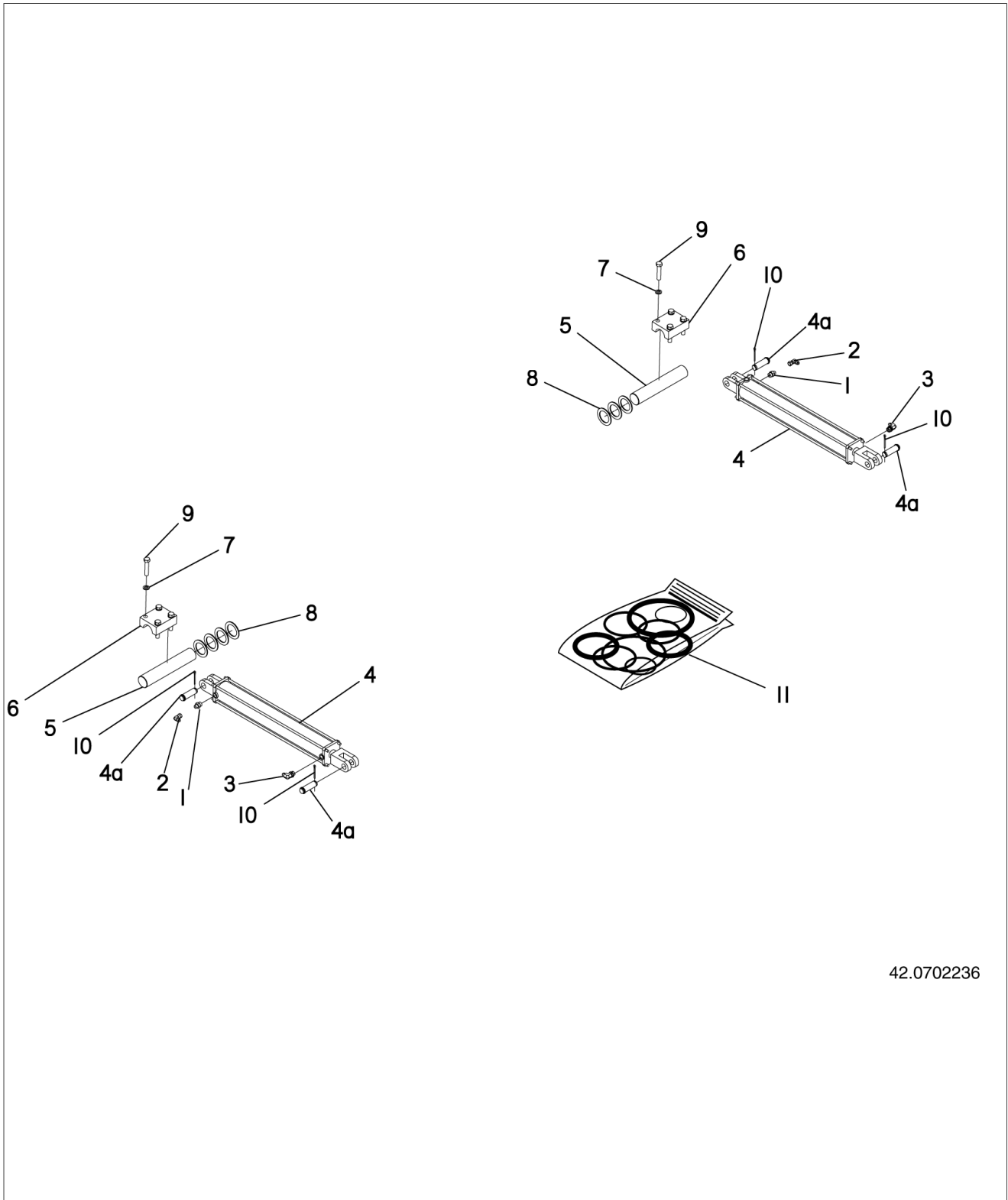
7.06 Hub And Spindle Assembly 8 Bolt



7.06 Hub And Spindle Assembly 8 Bolt

Item	Part No.	Quantity	Description
1	07.08400	1	Spindle, 2.25 in. x 12.00 in.
2	12.10167	1	Hub, 8 Bolt Complete
3	12.10157.7	2	Hub Assembly With Cups (Includes Items 4, 5 & 14)
4	902893	2	Bearing Cup, Inner
5	901182	2	Bearing Cup, Outer
6	902894	2	Seal, Oil, 2.250 in.
7	901892	2	Bearing Cone, Inner
8	901181	2	Bearing Cone, Outer
9	902408	2	Washer, Flat, 3/4 in.
10	09.70765	2	Nut, Slotted, 3/4-16
11	905786	2	Pin, Cotter, 5/32 in. x 1-3/4 in.
12	902410	2	Cap, Hub
13	65.10125	16	Nut, Wheel
14	65.10122	16	Stud, Wheel (Included With Item 3)

7.07 Feed Table Lift Assembly

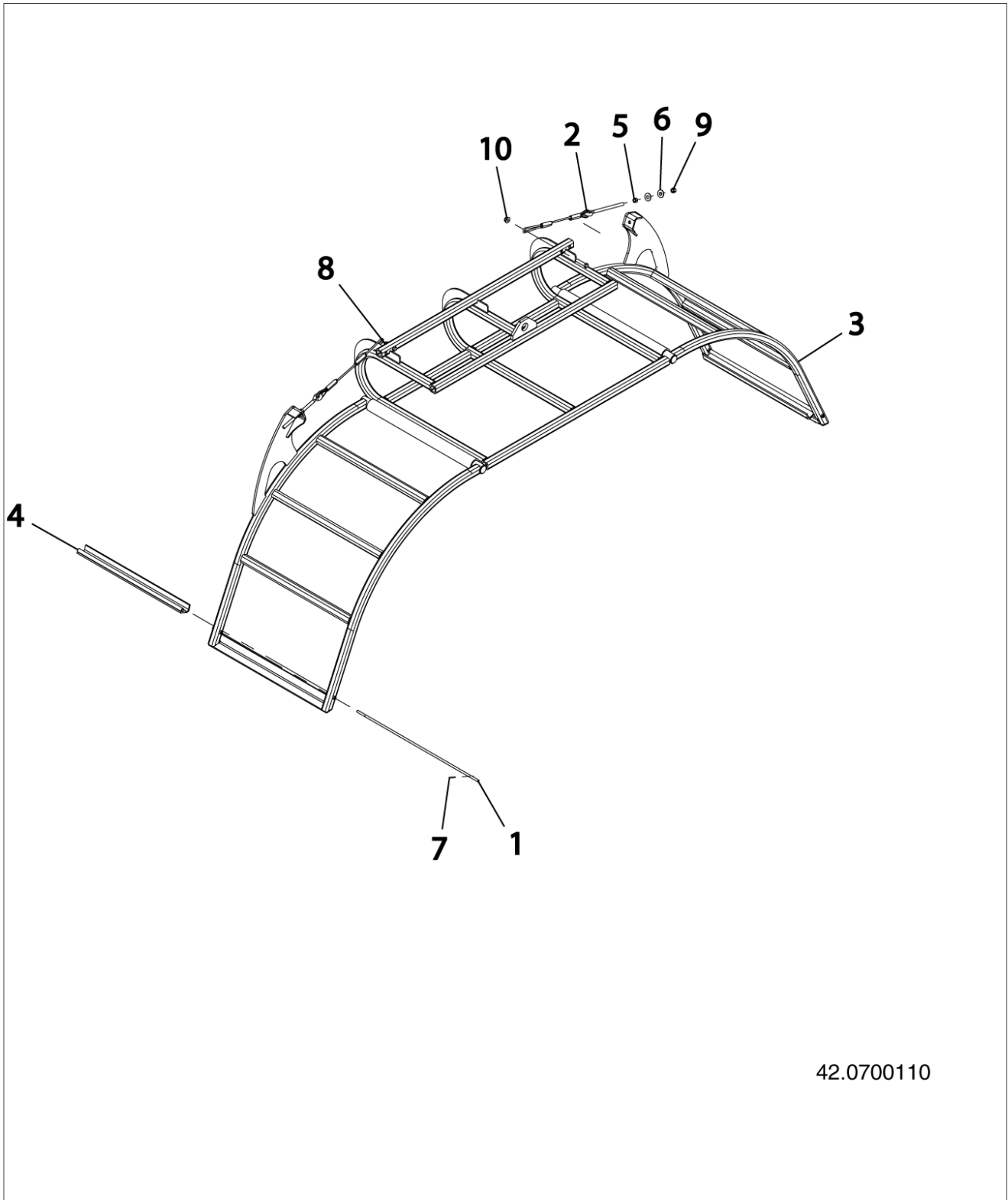


42.0702236

7.07 Feed Table Lift Assembly

Item	Part No.	Quantity	Description
1	07.17849	2	Adapter: 3/8 JIC x 1/2 ORB
2	32.01921	2	Elbow: 3/8 MJIC x 3/8 JIC Swvl
3	32.03465	2	Elbow: 90d -08 ORB x 3/8 MJIC
4	42.0802333	2	Hyd Cylinder, 3 in. x 24 in. ORB
4a	42.1542091	2	Pin, Clevis (included with cylinder)
5	42.1080048	2	Shaft: Feedtable Mounting
6	42.1080087.8	2	Anchor Block, Feedtable Mounting Block
7	900508	8	Lockwasher, 5/8 Yellow Zinc
8	900655	7	Machine Bushing - 3-1/4 Od x 2-1/4 Id x #10 Ga
9	903849	8	Hhdbl 5/8-11 x 3 Gr5
10	907427	4	Cotter Pin, 3/16 x 2 Stainless Steel
11	42.1500238	1	Seal Kit, Hydraulic Cylinder

7.08 Asm: Bag Cradle, MX1012

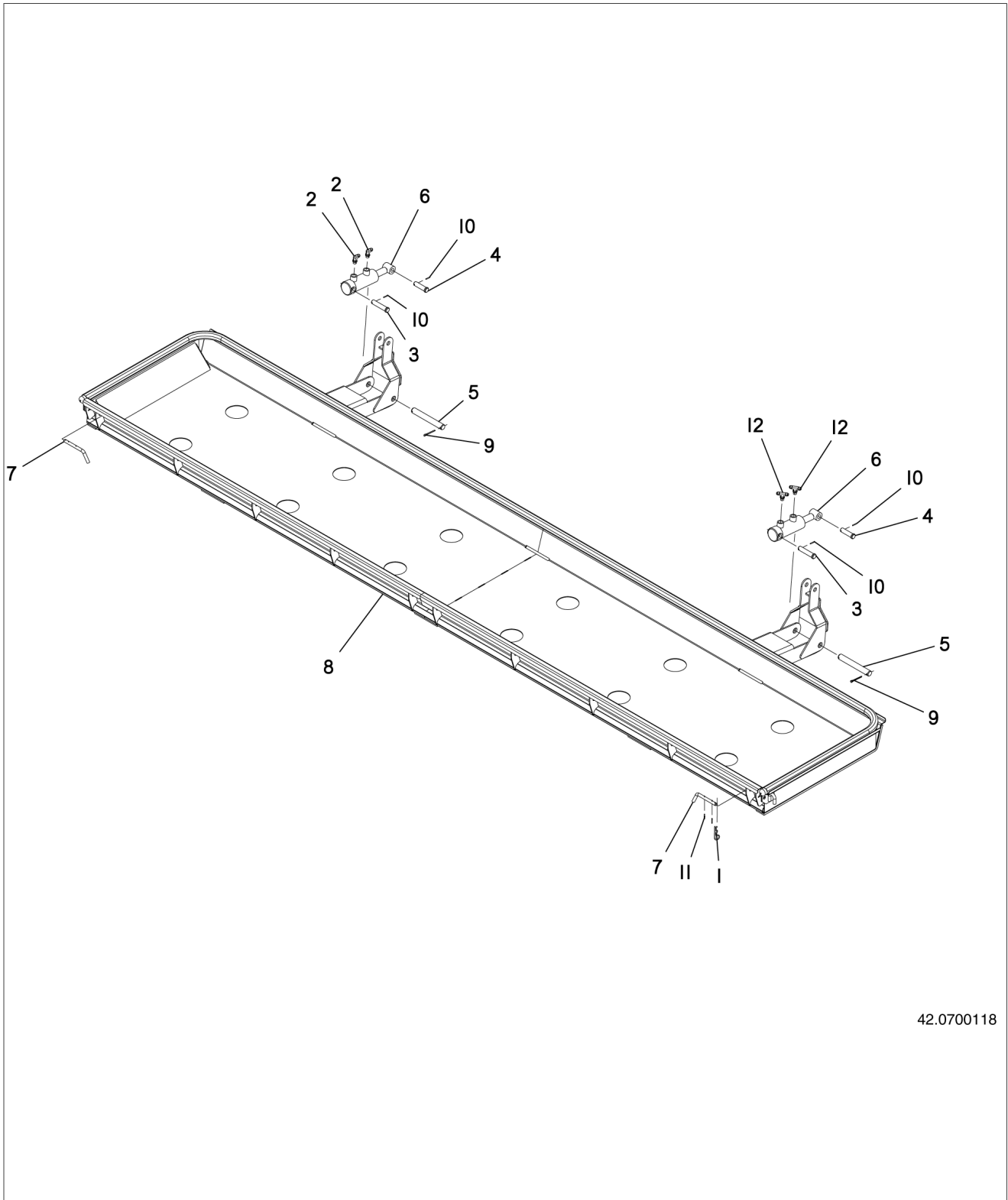


42.0700110

7.08 Asm: Bag Cradle, MX1012

Item	Part No.	Quantity	Description
1	42.0700545	2	Pin: Pivot
2	42.0700810	2	Cable: Cradle
3	42.0701118.5	1	Wdmt: Cradle Frame
4	42.0701121.5	2	Wdmt: Toggle
5	900369	2	Hhdnut, 1/2-13
6	900497	4	Washer - Flat 1/2 in. Std
7	900529	4	Pin, Cotter 1/8 x 1 in.
8	903300	2	Hhdblt, Gr5 1/2-13 x 2-1/4
9	906401	2	Hhdnut - Nylon Lk 1/2-13
10	907399	2	Hhdnut - Nylon Lk 1/2-13 Flange

7.09 Asm: MX1012 Bag Pan

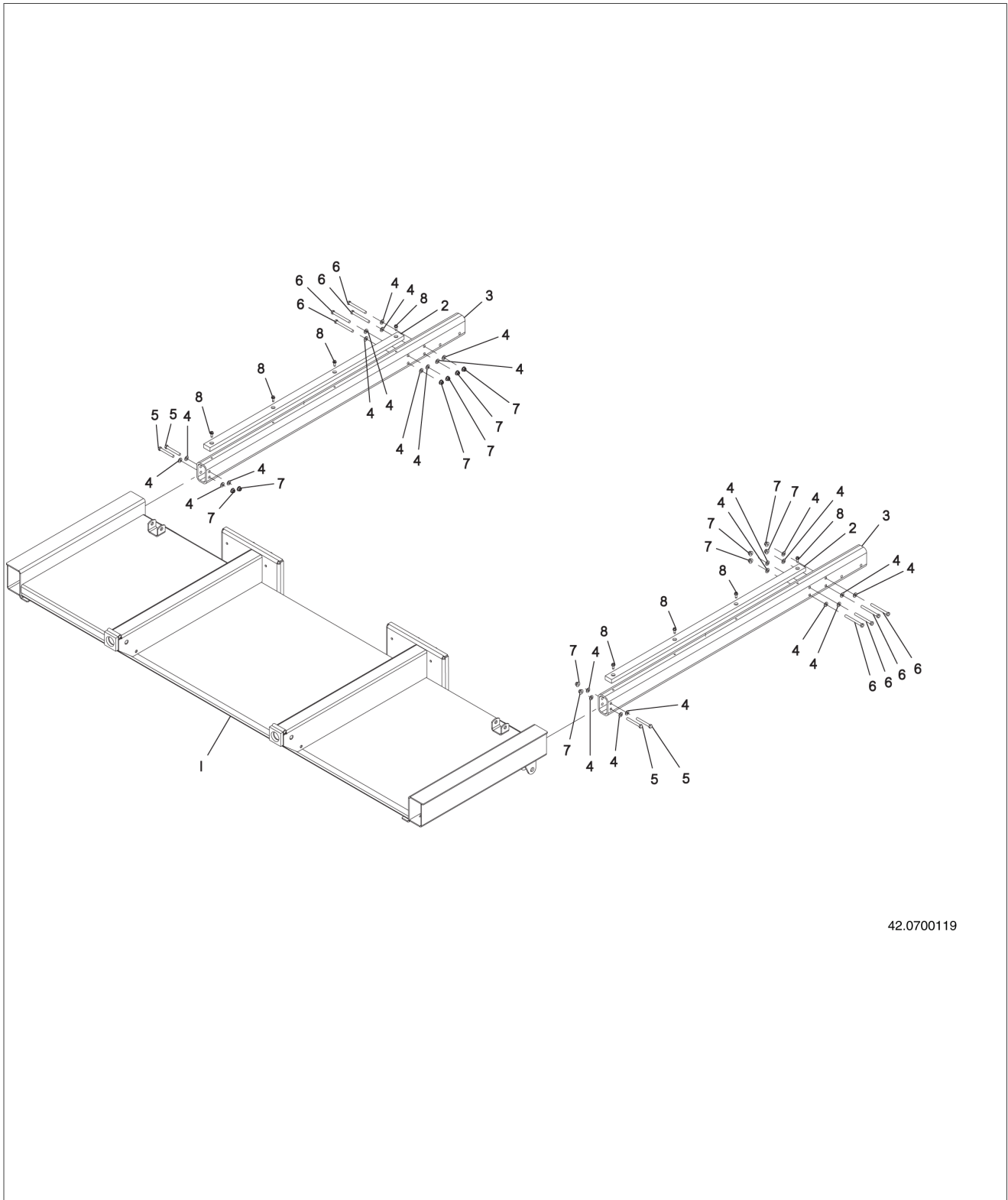


42.0700118

7.09 Asm: MX1012 Bag Pan

Item	Part No.	Quantity	Description
1	903308	2	Pin: Hair 1/8 x 2-3/8
2	07.17946	2	Elbow, -06 ORB x MJIC
3	42.0700496	2	Pin: Cylinder
4	42.0700497	2	Pin: Cylinder RE
5	42.0700498	2	Pin: Bag Pan
6	42.0700806.5	2	Cylinder: 2 x 2.5
7	42.0701415	2	Pin: Bent
8	42.0701420.5	1	Wdmt: Bag Pan
9	900536	4	Cotter Pin, 3/16 x 2 Yellow Zinc
10	904787	4	Pin, Cotter
11	906542	4	Pin: 1/8 in. x 1 in. Roll
12	907183	2	Tee, -06 ORB x JIC

7.10 Asm: MX1012 Sliding Floor

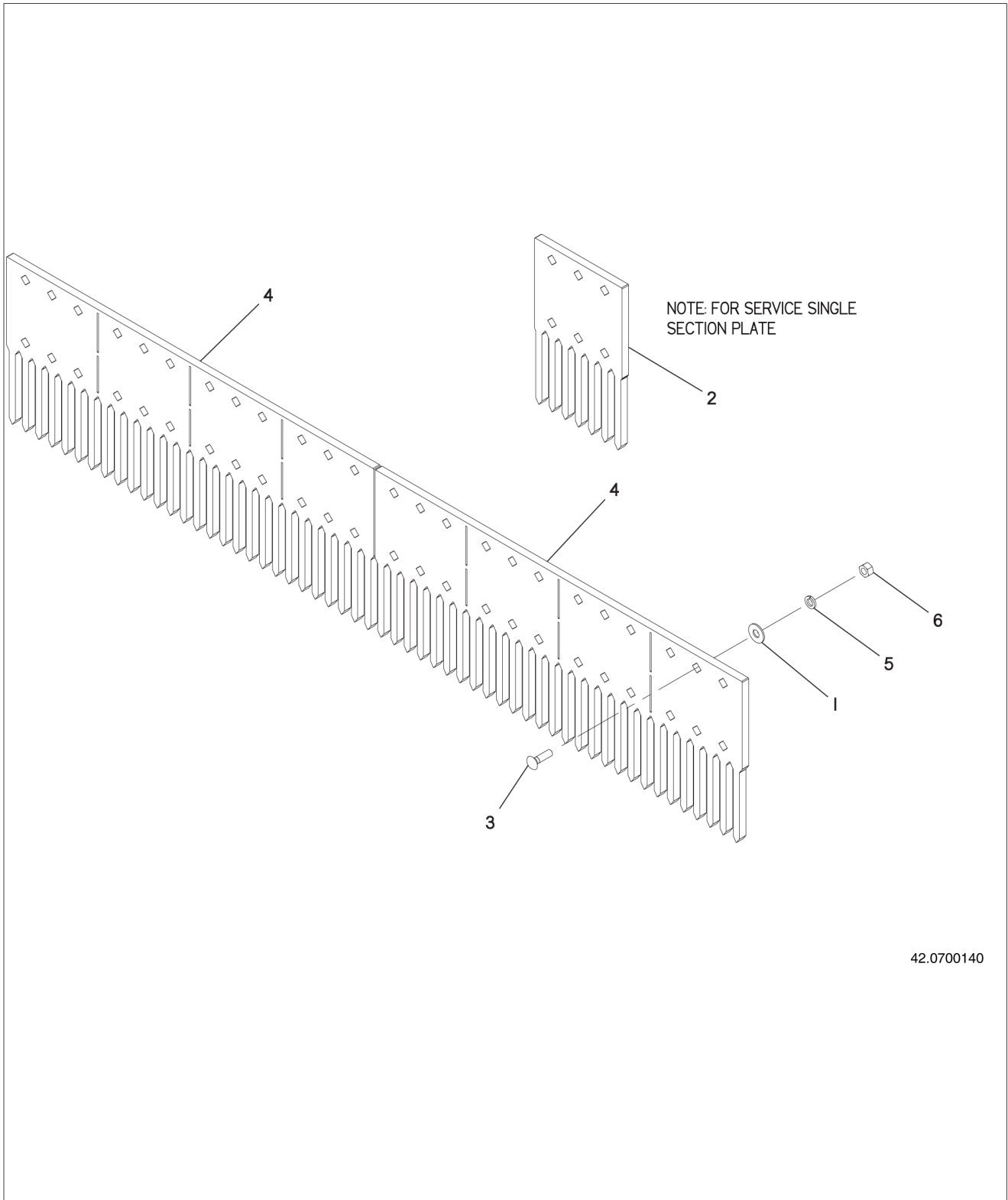


42.0700119

7.10 Asm: MX1012 Sliding Floor

Item	Part No.	Quantity	Description
1	42.0700358.5	1	Wdmt: Sliding Cleanout Table
2	42.0700468	2	Plate: Slide
3	42.0700471.5	2	Tube: Frame
4	901937	24	Washer, 1/2 Flat
5	902931	4	Hhdbl, G5 1/2-13 x 4 in.
6	904244	8	Hhdbl, Gr5 1/2-13 x 5
7	907399	12	Hhdnut - Nylon Lk 1/2-13 Flange
8	908543	8	Screw: 3/8-16 x 1 in. Thd Cut

7.11 Asm: MX1012 Stripper Plate

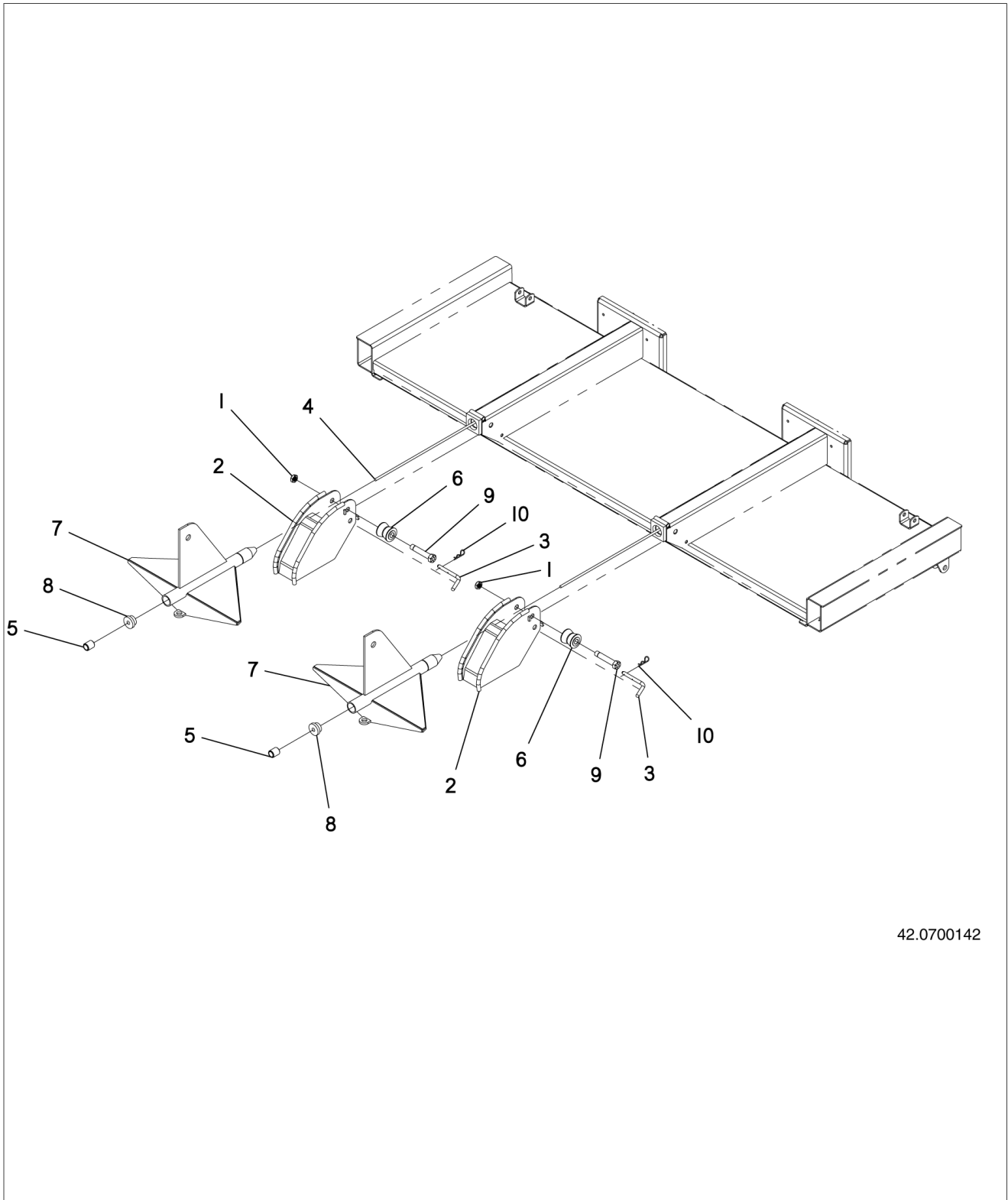


42.0700140

7.11 Asm: MX1012 Stripper Plate

Item	Part No.	Quantity	Description
1	09.70970	46	Washer, 7/8 Flat
2	42.0700341	1	Bar: Stripper Section
3	42.0701200	46	Bolt: Carr G5, 7/8-9 x 2.75 In.
4	42.0701529	2	Plate: Stripper Bar
5	907867	46	Lockwasher, 7/8 Yellow Zinc
6	908009	46	Hhdnut, 7/8-9 C-Lock

7.12 Asm: MX1012 Anchor

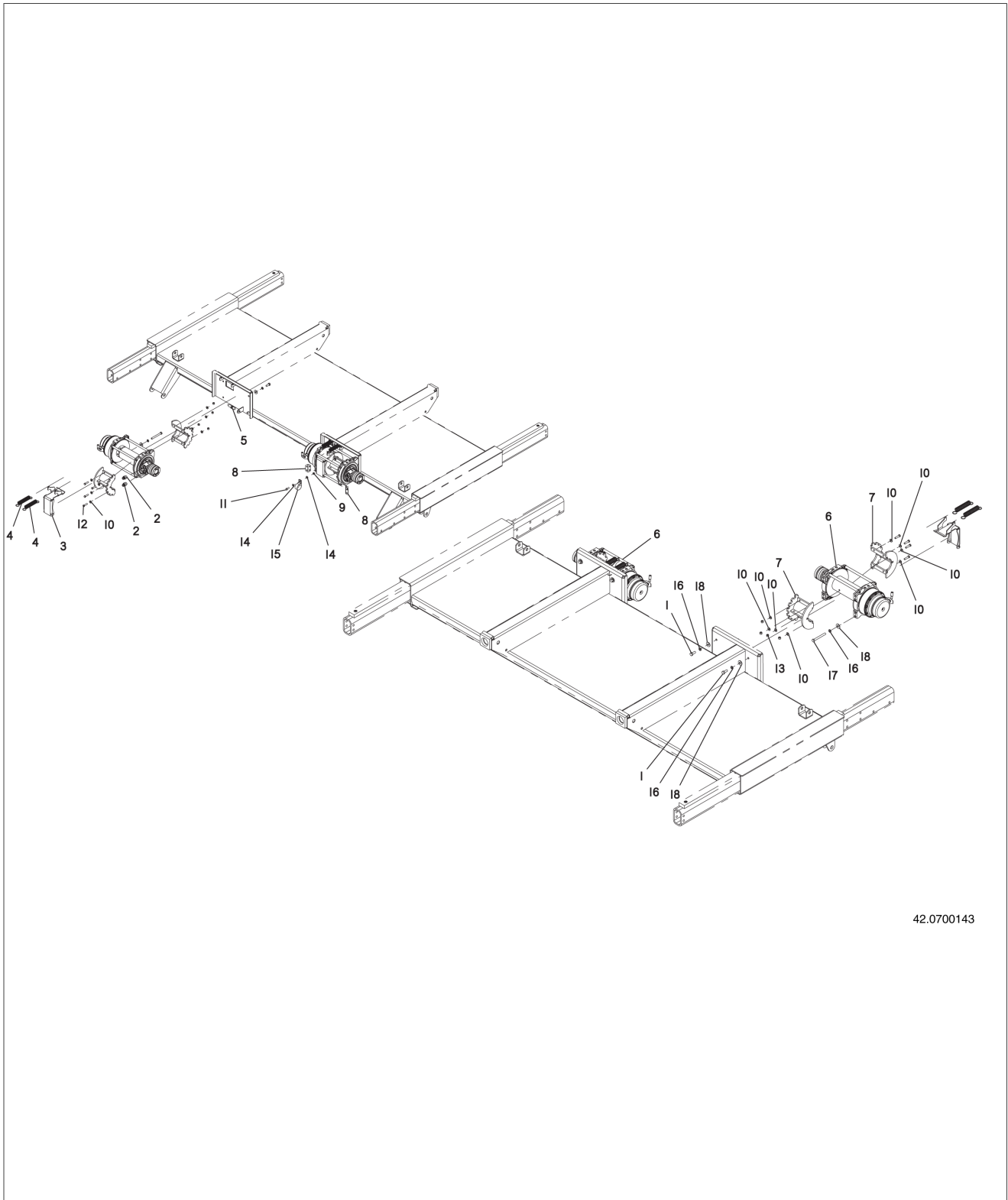


42.0700142

7.12 Asm: MX1012 Anchor

Item	Part No.	Quantity	Description
1	09.70791	2	Hhdnut, 1-8 Jam Nylock Yellow Zinc
2	42.0700461.5	2	Wdmt: Anchor Support
3	42.0700472	2	Pin: Anchor
4	42.0700499	2	Cable: Anchor Winch
5	42.0701825	2	Stop: Cable
6	42.0802304	2	Roller: Anchor With Bushing
7	42.1030084	2	Anchor: Compaction 30
8	42.1030095.5	2	Stop, Anchor Cable
9	42.1206076	2	Bolt - Anchor Fair Lead 1 in.
10	907629	2	Hair Pin, Stainless Steel

7.13 Asm: MX1012 Anchor Winch

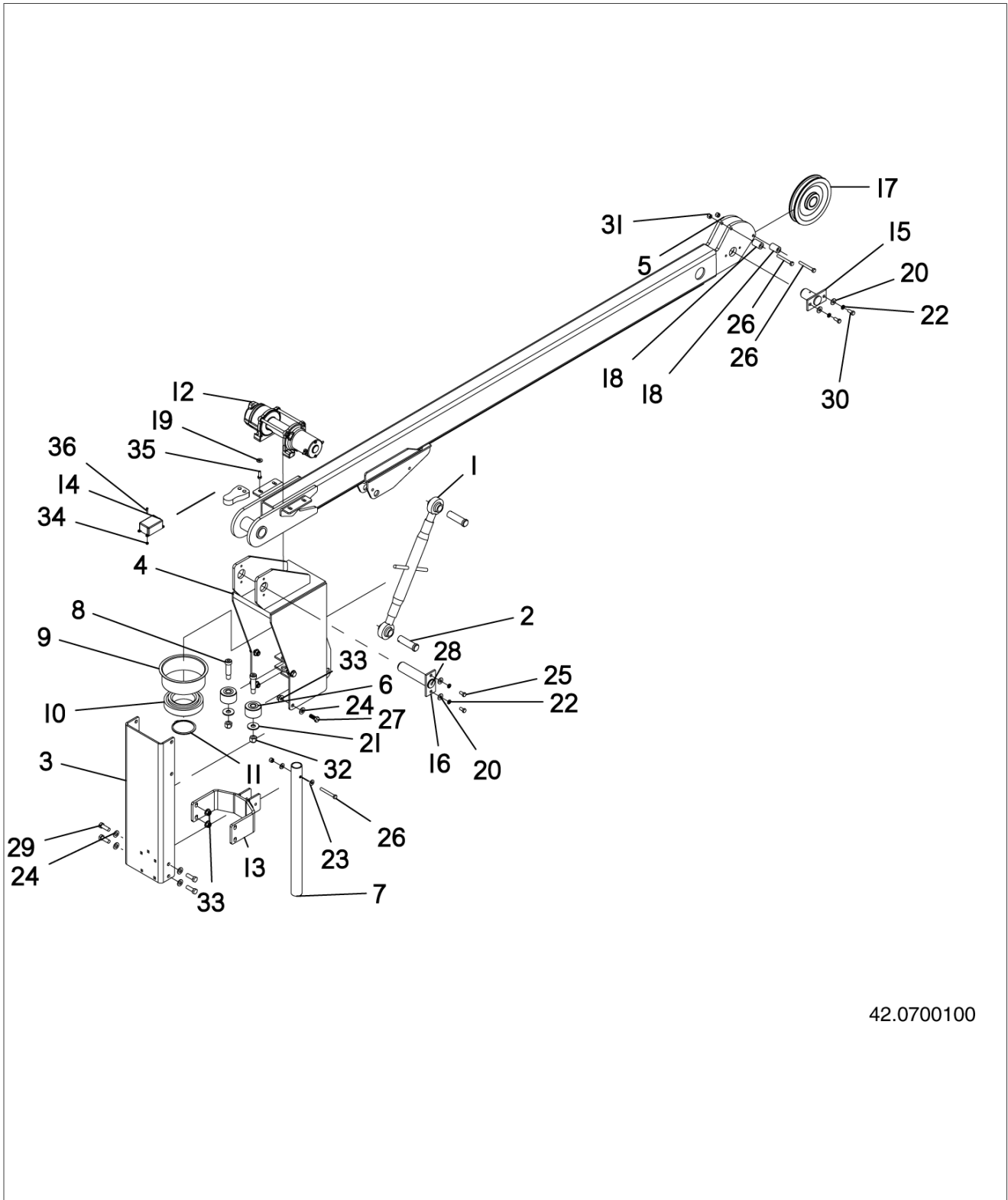


42.0700143

7.13 Asm: MX1012 Anchor Winch

Item	Part No.	Quantity	Description
1	09.73803	4	Hhdbl - G8.8 M12-1.75 x 30
2	32.02101	4	Adapter: 1/2 Mjic x -10 ORB
3	42.0700482.5	2	Bracket: Cable Shoe
4	42.0700484	4	Spring: Extension
5	42.0700988	2	Sensor: Prox
6	42.0700990	2	Winch: Anchor
7	42.0701510.5	4	Wdmt: Drum Stop
8	42.0702130.5	4	Bracket: P-Clamp Mount
9	900366	4	Hhdnut - 3/8-16
10	901105	16	Washer - Flat 3/8 in. SAE
11	902300	4	Hhdbl - G5 3/8x1 in. Yellow Zinc
12	903848	8	Hhdbl - 3/8-16 x 1-1/2
13	906400	8	Nut: Hex Nylon Lk 3/8-16
14	907380	8	Washer: Stainless Steel Flat 3/8 In.
15	907659	4	Clamp, 2 in. P
16	907700	8	Lockwasher, M12
17	907759	4	Hhdbl, G 8.8 M12-1.75 x 110mm
18	907869	8	Washer, M12 Flat

7.14 Asm: MX1012 Bag Boom

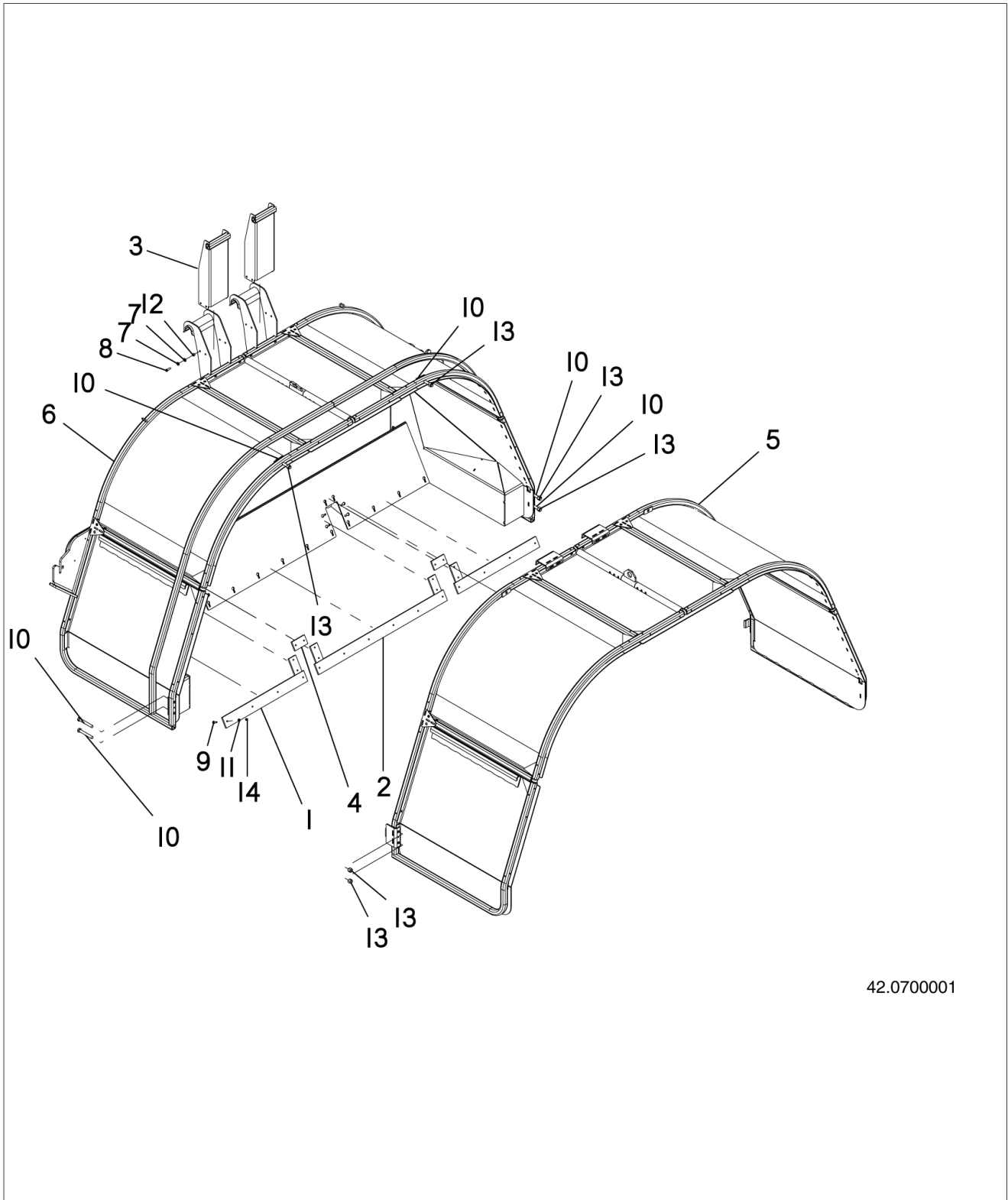


42.0700100

7.14 Asm: MX1012 Bag Boom

Item	Part No.	Quantity	Description
1	21.21349	1	Top Link - Cat. II Hitch
2	21.22738	2	Pin - 1 in. Dia. x 3.25 Grade 5
3	42.0700658.5	1	Bracket: Winch
4	42.0700664.5	1	Wdmt: Pivot
5	42.0700671.5	1	Boom: Wdmt
6	42.0700674	2	Asm: Bearing
7	42.0700676.5	1	Handle
8	42.0700679	2	Bolt: Bearing
9	42.0700687	1	Seal: Pivot
10	42.0700811	1	Bearing: Tapered 3.5
11	42.0700850	1	Ring: Retaining
12	42.0700875	1	Winch: Electric Bag Boom
13	42.0701918.5	1	Wdmt: Retainer
14	42.0702226	1	Asm Kit: Wireless Winch Control
15	42.0901408	1	Pin, Bag Boom Pulley W/plate
16	42.1030090	1	Pin Asm - Anchor Cyl Lng 1.5 in.
17	42.1060156.5	1	Pulley, Anchor - Large 1-1/2
18	42.1060214	2	Sleeve - Cable Guide, Boom Ext
19	900494	4	Washer, 5/16 Flat
20	900495	4	Washer: Flat 3/8 In. Std
21	900498	2	Washer: Flat 5/8 In. Std
22	900504	4	Washer-Lock 3/8 in.
23	901105	2	Washer - Flat 3/8 in. SAE
24	901937	8	Washer, 1/2 Flat
25	902364	2	Hhdbl - G5 3/8-16 x 3/4
26	902831	3	Hhdbl - G5 3/8-16 x 3 in.
27	902928	4	Hhdbl - G5 1/2-13unc x 1-1/4 in.
28	903162	2	Grease Zerk 1/4-28
29	903306	4	Hhblt G 5 1/2-13 x 1.50
30	903699	2	Hhdbl - G5 3/8x7/8 in.
31	906400	3	Nut: Hex Nylon Lk 3/8-16
32	907393	2	Nut: Hex Stainless Steel Nylok 5/8-11
33	907399	8	Hhdnut - Nylon Lk 1/2-13 Flange
34	907524	2	Hhdnut, #8-32 Stainless Steel Nylock
35	907568	4	Hhdbl, Gr 8.8, M8-1.25 x 25mm
36	908273	2	Pn Hd Screw, #8-32 x 3/4

7.15 Tunnel: 10 Ft W/Extension

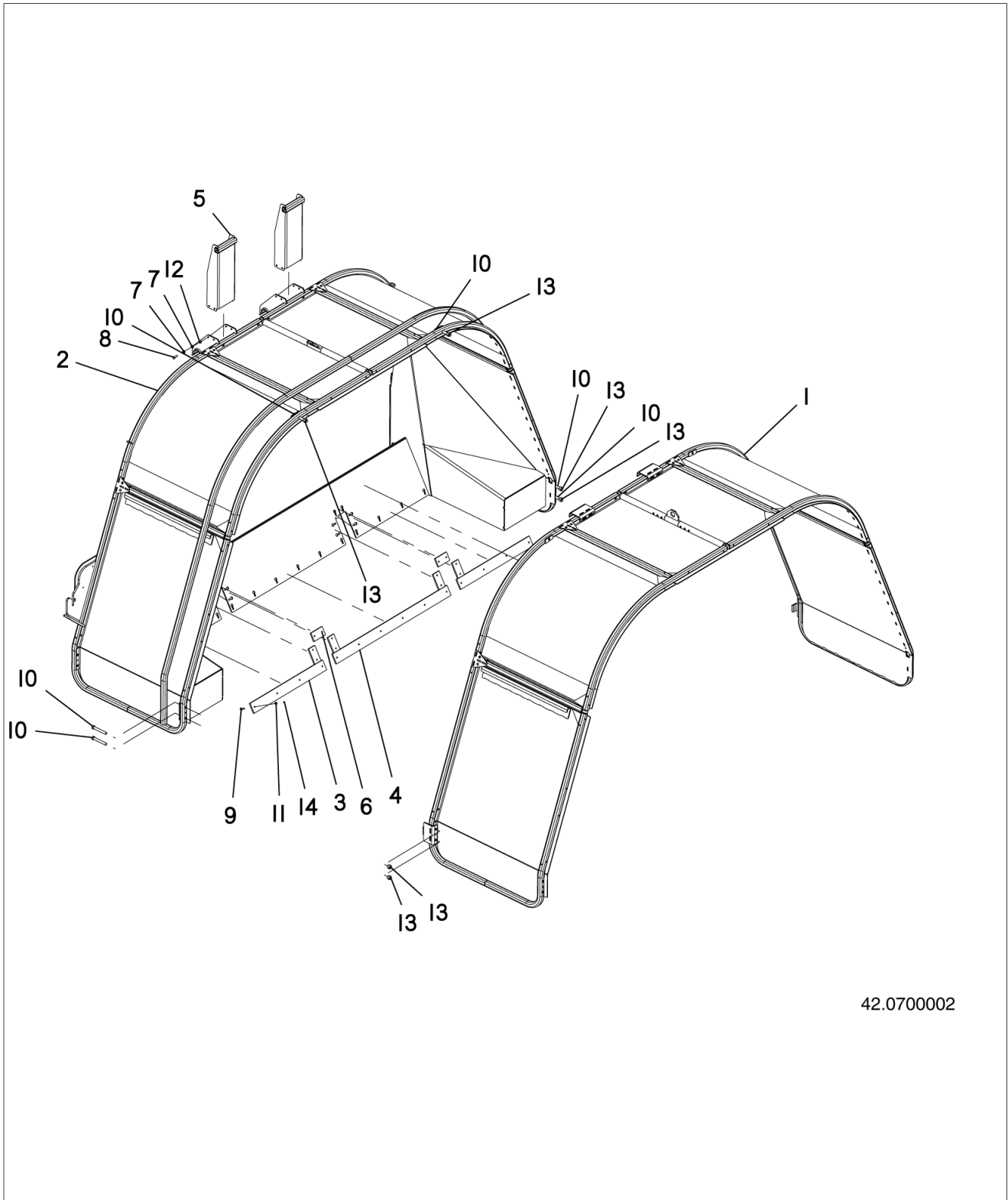


42.0700001

7.15 Tunnel: 10 Ft W/Extension

Item	Part No.	Quantity	Description
1	42.0700425	2	Skirting: Scraper
2	42.0700426	1	Skirting: Scraper
3	42.0700540.8	2	Wdmt: MX1012 Tunnel Mount
4	42.0700546	6	Skirting: Scraper
5	42.0702178.8	1	Wdmt: Tunnel, Extension 10 Ft
6	42.0702179.8	1	Wdmt: 10 Ft Base
7	901105	16	Washer - Flat 3/8 in. SAE
8	902367	8	Hhdbl, Gr 5, 3/8-16 x 1-1/4
9	903168	26	Carblt G5 5/16-18 x 1.25 in.
10	904220	6	Hhdbl 5/8-11 x 4-1/2 Gr5
11	904324	26	Washer - Flat 5/16 in.
12	906400	8	Nut: Hex Nylon Lk 3/8-16
13	906402	6	Hhdnut, 5/8-11 Nylock
14	906483	26	Hhdnut, 5/16-18 Nylock

7.16 Tunnel: 12 Ft W/ Extension

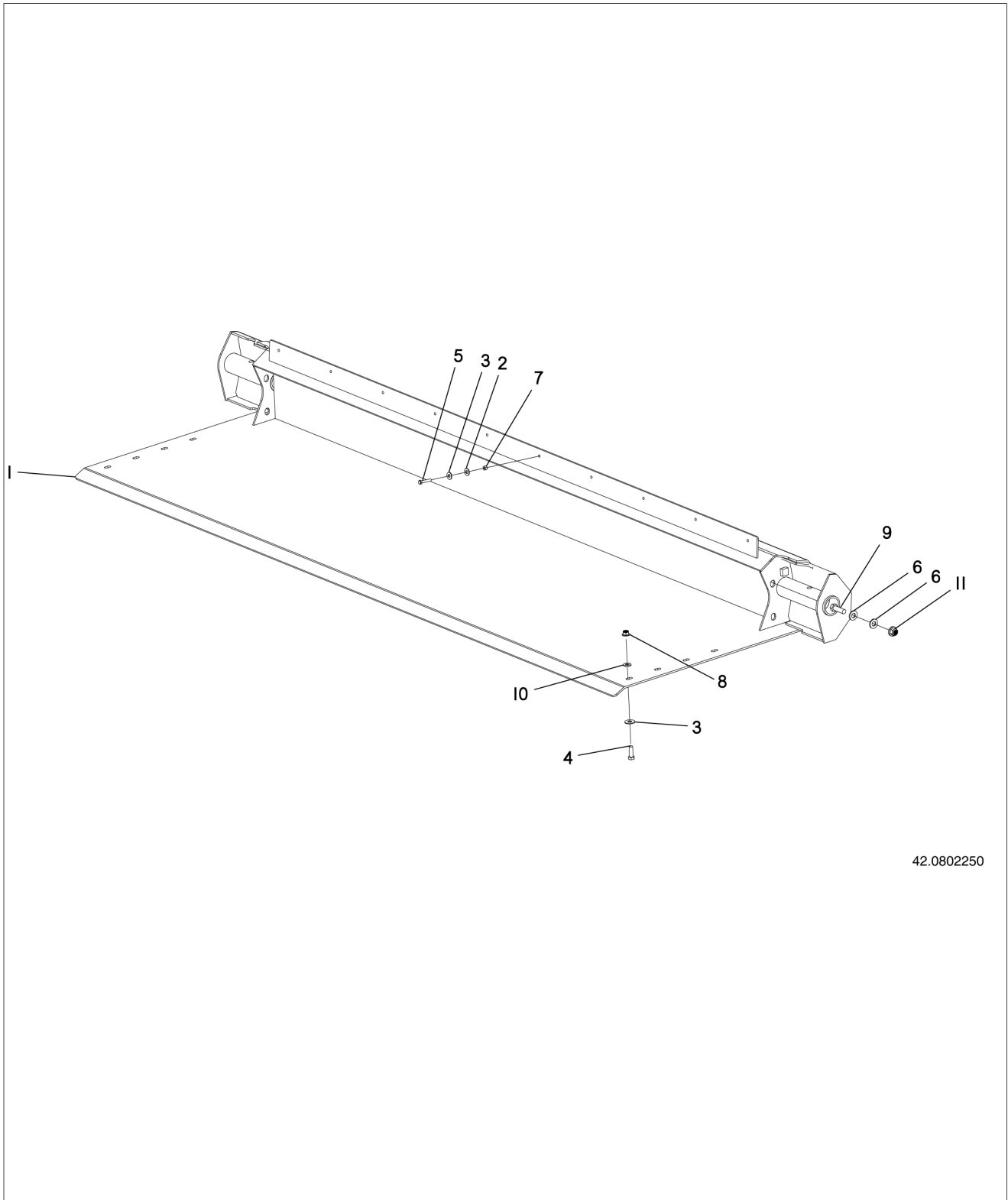


42.0700002

7.16 Tunnel: 12 Ft W/ Extension

Item	Part No.	Quantity	Description
1	42.0700372.8	1	Wdmt: Extension, 12 Ft
2	42.0700417.8	1	Wdmt: Tunnel, 12 Ft Base
3	42.0700425	2	Skirting: Scraper
4	42.0700426	1	Skirting: Scraper
5	42.0700540.8	2	Wdmt: MX1012 Tunnel Mount
6	42.0700546	6	Skirting: Scraper
7	901105	16	Washer - Flat 3/8 in. SAE
8	902367	8	Hhdbl, Gr 5, 3/8-16 x 1-1/4
9	903168	26	Carblt G5 5/16-18 x 1.25 in.
10	904220	6	Hhdbl 5/8-11 x 4-1/2 Gr5
11	904324	26	Washer - Flat 5/16 in.
12	906400	8	Nut: Hex Nylon Lk 3/8-16
13	906402	6	Hhdnut, 5/8-11 Nylock
14	906483	26	Hhdnut, 5/16-18 Nylock

7.17 Asm: Feedtable Bumper

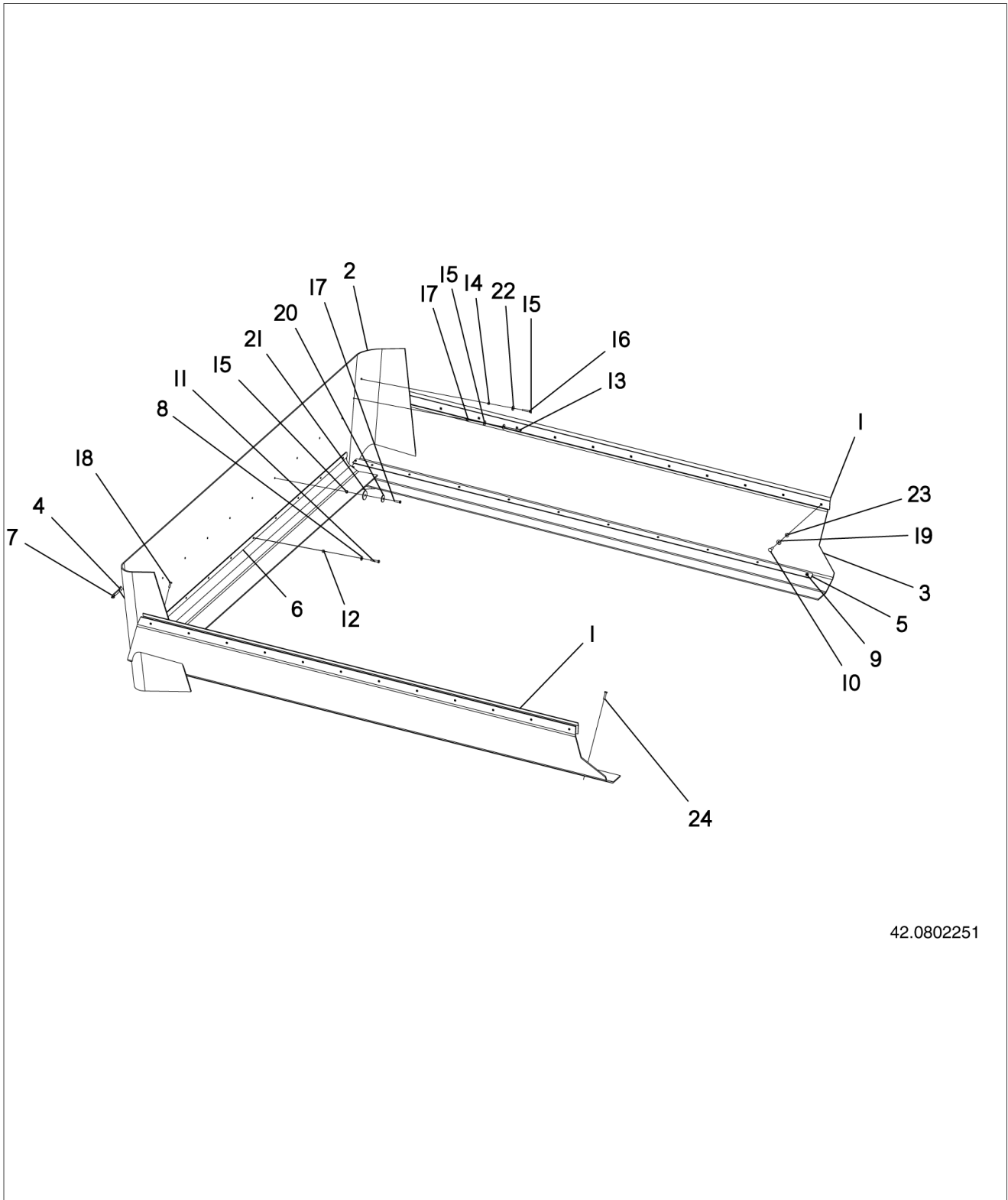


42.0802250

7.17 Asm: Feedtable Bumper

Item	Part No.	Quantity	Description
1	42.0800339	1	Bumper: Feedtable
2	900495	20	Washer: Flat 3/8 In. Std
3	900497	8	Washer: Flat 1/2 In. Std
4	903306	8	Bolt: Hhd G5 1/2-13 x 1-1/2 In.
5	903829	10	Bolt: Hhd G5 5/16-18 x 1-3/4
6	904814	8	Washer: Flat 5/8 In. Hardened
7	906483	10	Nut: Hex Nylon Lk 5/16-18
8	907399	8	Nut: Hex Nylon Lk 1/2-13 Flang
9	907488	4	Bolt: Hhd G8 5/8 x 2 In.
10	907594	8	Washer: Flat 1/2 Hardened
11	908685	4	Nut: Hex Nylock Flg Gr8 5/8-11

7.18 Asm: Feedtable Skirt

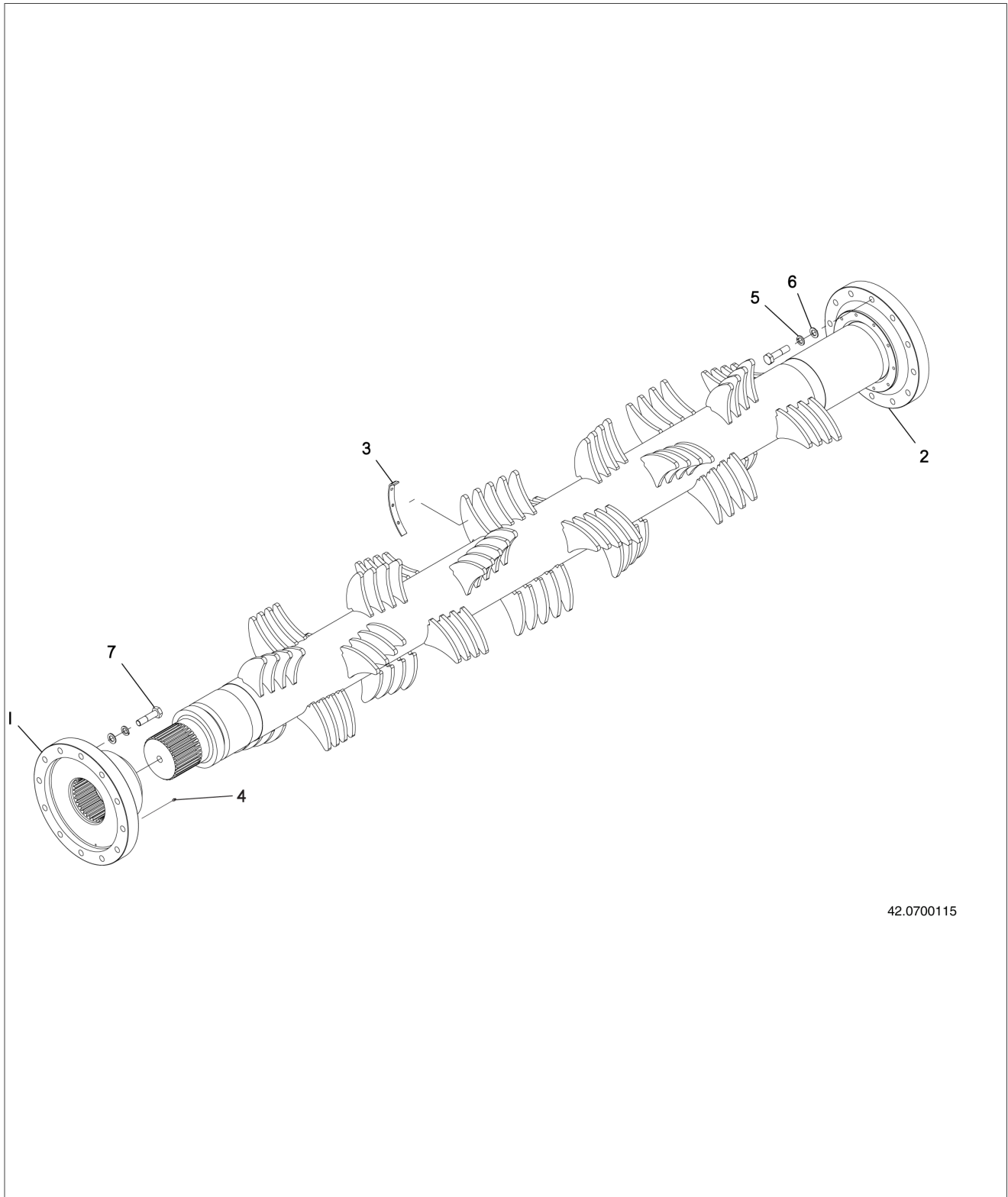


42.0802251

7.18 Asm: Feedtable Skirt

Item	Part No.	Quantity	Description
1	42.0800327	2	Plate: Belt Backup
2	42.0800385	1	Skirt: Belt Front
3	42.0800392	2	Skirt: Belt Side
4	42.1080004	2	Bracket: Skirting (small)
5	42.1080054	2	Strip: Fdtbl Skirting Side
6	42.1080206	1	Strip: Fdtbl Skirting Frt 10 Ft
7	42.1120007	2	Bungee: 10 Rubber
8	900494	21	Washer: Flat 5/16 In. Std Yellow Zinc
9	900503	22	Washer: Lock 5/16 In.
10	903693	24	Bolt: Car G5 3/8 x 1-1/4 In. Lngnk
11	903829	10	Bolt: Hhd G5 5/16-18 x 1-3/4
12	906483	10	Nut: Hex Nylon Lk 5/16-18
13	907322	2	Bolt: Hhd Stainless Steel 1/4-20 x 1
14	907389	4	Nut: Hex Stainless Steel Nylok 1/4-20
15	907390	10	Nut: Hex Stainless Steel Nylok 5/16-18
16	907455	2	Bolt: Hhd Stainless Steel 1/4-20 x 1-3/4 In.
17	907457	10	Bolt: Hhd Stainless Steel 5/16-18 x 1-1/4 In.
18	907462	4	Bolt: Hhd Stainless Steel 5/16-18 x 1 Wshr Hd
19	907465	24	Washer: Stainless Steel Flat 3/8 Wide
20	907533	10	Washer: Stainless Steel Flat 3/8 Wide Heavy
21	907626	10	Washer: Stainless Steel Flat 3/8 x 2 In. OD
22	907758	6	Washer: Stainless Steel Flat .325 x 1.00 x .125
23	907779	24	Nut: Hex Nylon Lk 3/8-16 Flanged
24	908156	22	Screw: Hhd - Stainless Steel 5/16-18 x 1-1/2 Tc

8.01 Asm: MX1012 Rotor

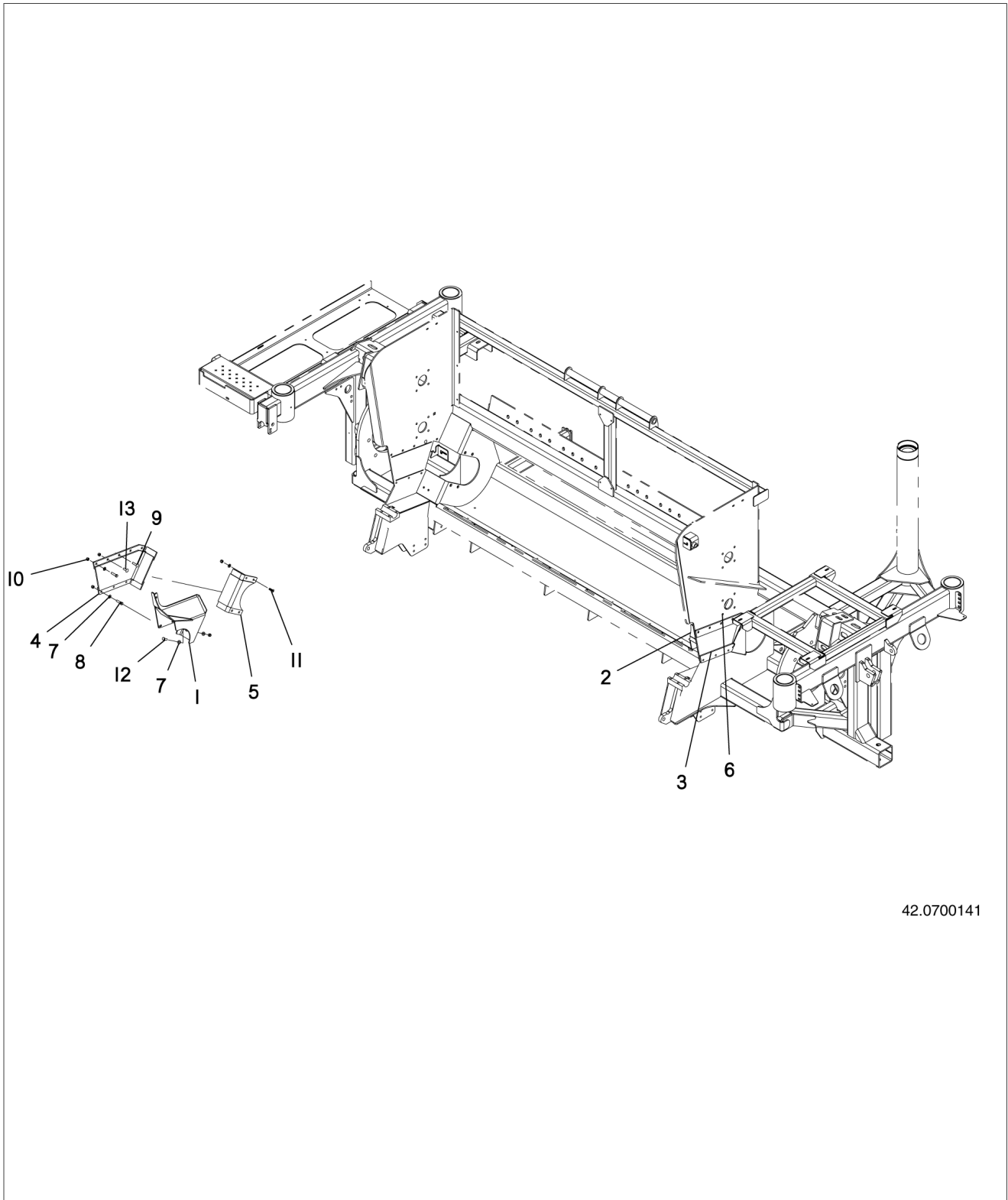


42.0700115

8.01 Asm: MX1012 Rotor

Item	Part No.	Quantity	Description
1	42.0700884	1	Hub: Planetary
2	42.0701500	1	Wdmt Rotor 134 in. W 110 Teeth
3	42.0701508	110	Cap: Rotor Tine
4	903162	1	Grease Zerk 1/4-28
5	908519	24	Washer: Lock M22 Yellow Zinc
6	908521	24	Washer: Flat M22 Yellow Zinc
7	908523	24	Bolt: Hex G10.9 M22x1.5x90 Yellow Zinc

8.02 Asm: MX1012 Rotor Slot Filler

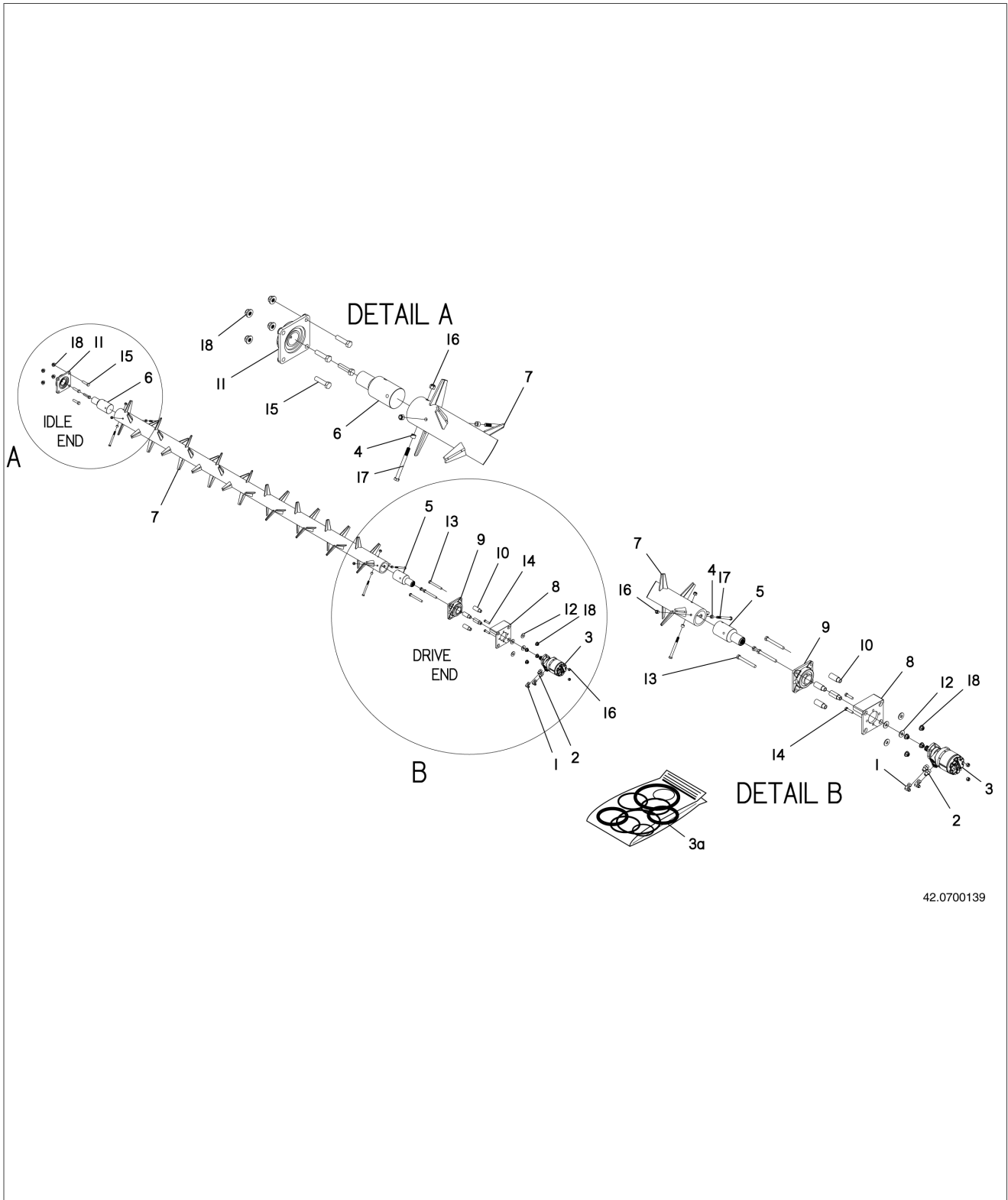


42.0700141

8.02 Asm: MX1012 Rotor Slot Filler

Item	Part No.	Quantity	Description
1	42.0700320	1	Wdmt: Filler EE
2	42.0700321	1	Wdmt: Filler CE
3	42.0700331	1	Wdmt: Rotor Slot Cover CE
4	42.0700332	1	Wdmt: Rotor Slot Cover EE
5	42.0701516	1	Wdmt: Rotor Slot Cover
6	42.0701527	1	Wdmt: Rotor Slot Cover
7	901937	12	Washer, 1/2 Flat
8	902050	8	Hhdbl, G5 1/2-13 x 2
9	904744	2	Bolt: Car G5 1/2 x 2 In. Ywzc
10	906401	28	Hhdnut - Nylon Lk 1/2-13
11	906786	8	Screw: Fshcs 1/2-13 1x 1-1/2 Yellow Zinc
12	907801	4	Hhblt Gr 8 1/2-13 x 1-1/2 Yellow Zinc
13	908333	6	Carblt 1/2 Unc x 1 1/2 Gr 5, Sht Nck

8.03 Asm: MX1012 Upper Beater Bar

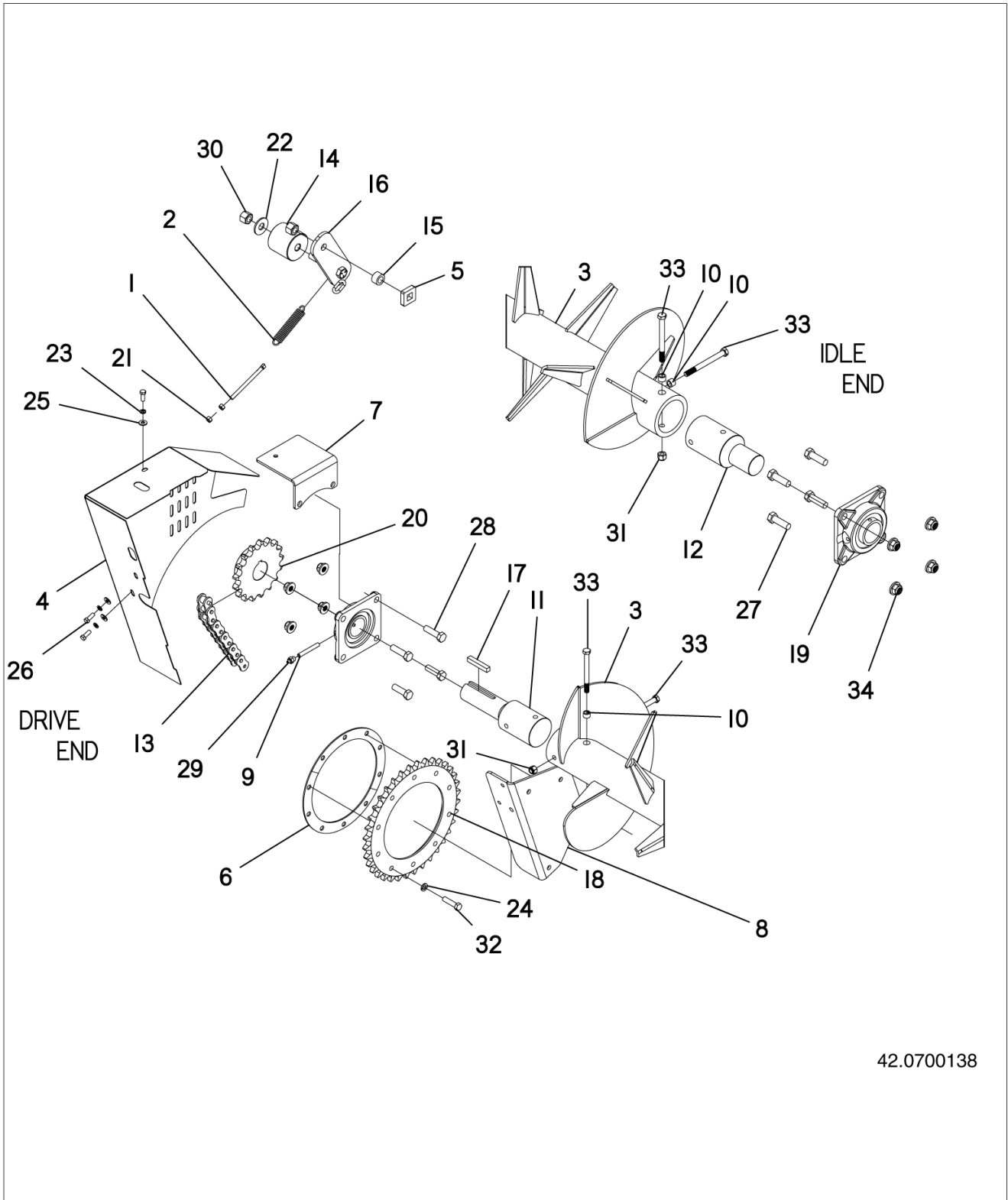


42.0700139

8.03 Asm: MX1012 Upper Beater Bar

Item	Part No.	Quantity	Description
1	09.74149	2	Elbow: 90d 37d FI-Swvl 3/4-16
2	32.02101	2	Adapter, -10 ORB x 1/2 M JIC
3	42.0800424.5	1	Motor: Hyd - Beater 32.7 Cu In
3a	42.1541901	1	Seal Kit - Hydraulic Motor
4	42.0802291	4	Spacer: Tube
5	42.0901073	1	Shaft: Splined Upper Beater
6	42.0901229	1	Shaft: Idler Beater
7	42.0901232.5	1	Beater: Upper Wldmnt
8	42.1020009	1	Mount: Beater Bar Hyd Motor
9	42.1020035	1	Bearing: 2-3/16 4-Bolt Flange
10	42.1120058	4	Spacer: Btrbar Motor Mount
11	42.1510037.8	1	Bearing: 2-3/16 4-Bolt Flange
12	900498	4	Washer: Flat 5/8 In. Std
13	901264	4	Bolt: Hhd G5 5/8 x 5-1/2 In.
14	902050	2	Bolt: Hhd G5 1/2 x 2 In.
15	903832	4	Bolt: Hhd G5 5/8 x 2-1/2 Yellow Zinc
16	906401	6	Nut: Hex Nylon Lk 1/2-13
17	908625	4	Bolt: Hex 1/2-13 x 5-1/4 Gr 8 Yellow Zinc
18	908685	8	Nut: Hex Nylock Flg Gr8 5/8-11

8.04 Asm: MX1012 Lower Beater Bar

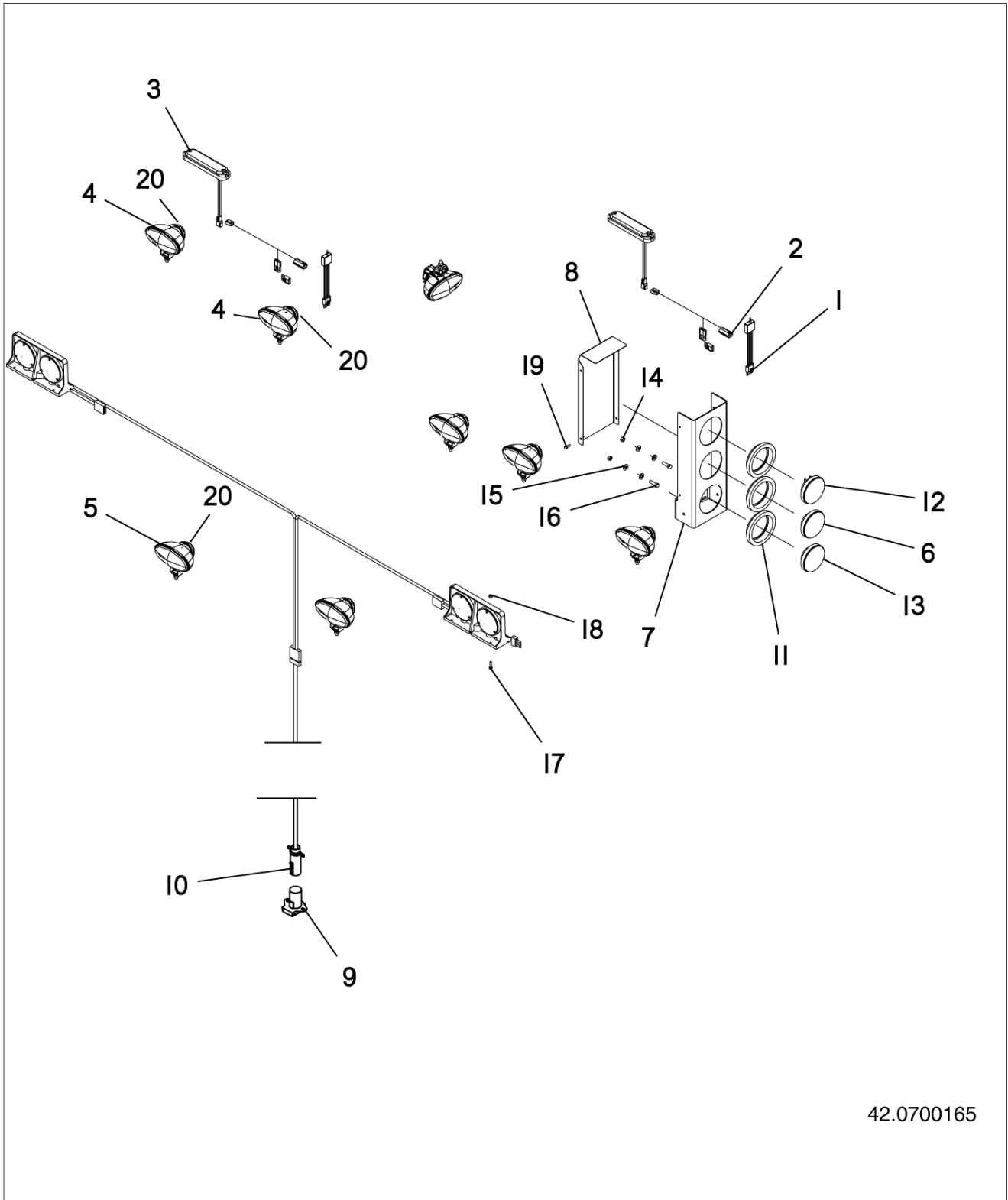


42.0700138

8.04 Asm: MX1012 Lower Beater Bar

Item	Part No.	Quantity	Description
1	336977B1	1	Rod - 3/8 x 5.5 in. Belt Tensioner
2	340077B1	1	Spring - Ext 1x4.50 in.
3	42.0700406.5	1	Wdmt: Lower Beater
4	42.0700423.5	1	Cover: Beater Bar
5	42.0701016.5	1	Plate: Spacer
6	42.0702087	2	Shim: Drive Sprocket
7	42.0702137.5	1	Wdmt: Chain Guard Support
8	42.0702138.5	1	Wdmt: Chain Guard Side
9	42.0800945	1	Nipple: Stainless Steel 1/8 In. x 3
10	42.0802291	4	Spacer: Tube
11	42.0901227	1	Shaft: Drive Lower Beater
12	42.0901229	1	Shaft: Idler Beater
13	42.0901357	1	Chain: Rlr #100h Super Rvt Ust 60p
14	42.1020064	1	Tensioner: Btrchn 3-1/4x3 UHMW
15	42.1020072	1	Spacer: Btrchn Tensioner Brkt
16	42.1020075	1	Bracket: Chain Tensioner Spring
17	42.1120074	1	Key: Sq - 1/2 x 1/2 x 3 Long
18	42.1120496	1	Sprocket: 100a35 Btrbar Drv
19	42.1510037.8	2	Bearing: 2-3/16 4-Bolt Flange
20	42.1520672	1	Sprocket: 100b17 2-3/16 1/2 Key
21	900366	2	Nut: Hex 3/8-16
22	900499	1	Washer: Flat 3/4 In.
23	900504	3	Washer: Lock 3/8 In.
24	900506	10	Washer: Lock 1/2 In.
25	901105	3	Washer: Flat 3/8 In. SAE
26	902300	3	Bolt: Hhd G5 3/8 x 1 In. Yellow Zinc
27	904253	6	Bolt: Hhd G5 5/8 x 2 In.
28	905448	2	Bolt: Hhd G5 5/8-11 x 2-1/4 In.
29	905501	1	Zerk: Grease - 1/8npt Female
30	906349	2	Nut: Hex Nylok Lk 3/4-10
31	906401	4	Nut: Hex Nylon Lk 1/2-13
32	908622	10	Bolt: Gr 8 1/2-13 x 2 Hhd Yellow Zinc
33	908625	4	Bolt: Hex 1/2-13 x 5-1/4 Gr 8 Yellow Zinc
34	908685	8	Nut: Hex Nylock Flg Gr8 5/8-11

9.01 Asm: MX1012 Lighting

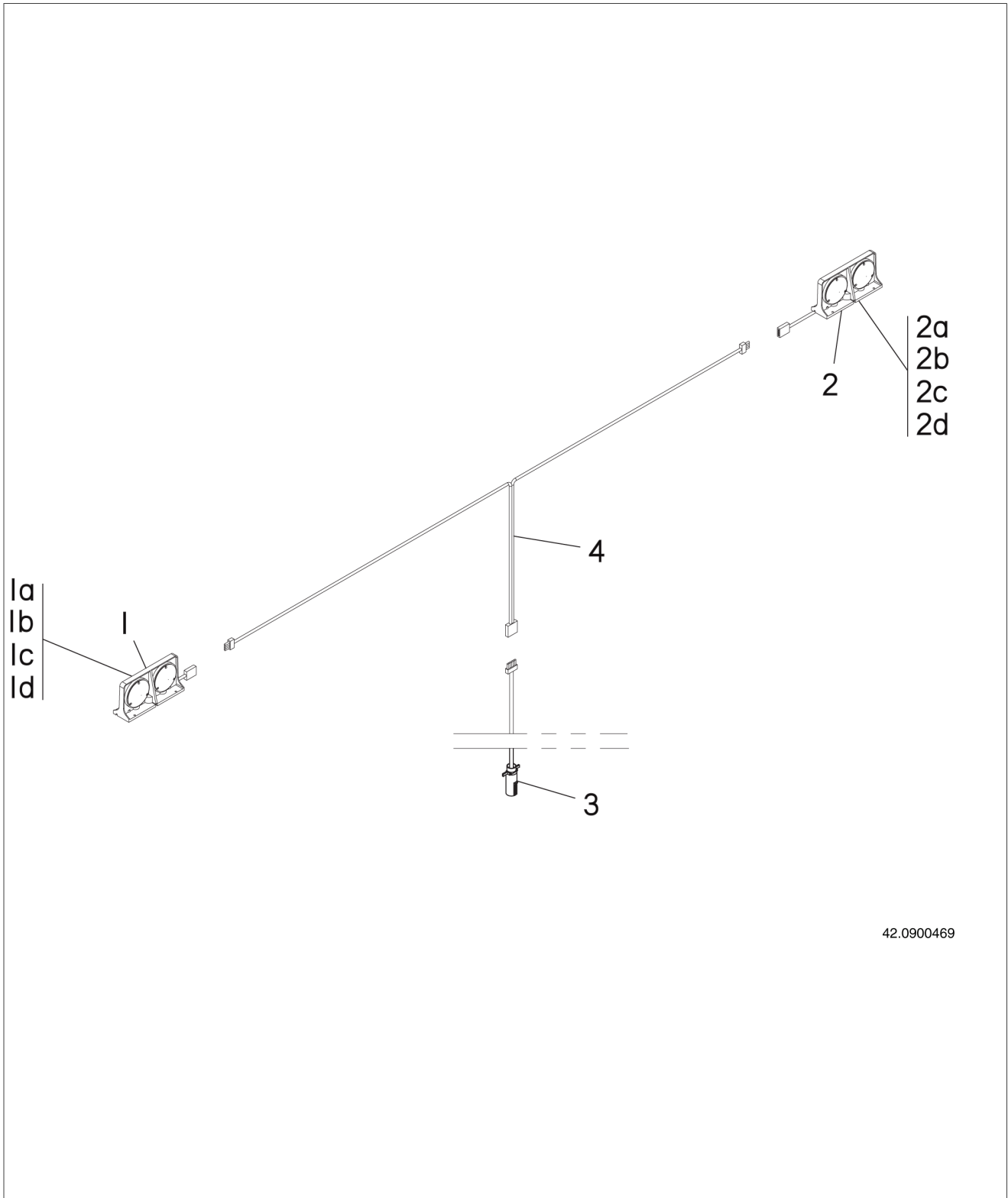


42.0700165

9.01 Asm: MX1012 Lighting

Item	Part No.	Quantity	Description
1	21.20794	2	Switch, SPST Remote Pump
2	21.43645	2	Harness - Engine Light
3	21.43646	2	Light - Work
4	21.46658	4	Light: Oval 90 12v Halogen Pendant 60w
5	21.51052	4	Light: Oval 90 12v Halogen Upright 60w
6	42.0800603	1	Light, Tail 4 in. Yellow
7	42.0801030.5	1	Bracket, CE Signal Lights
8	42.0801031.5	1	Cover, CE Signal Lights
9	42.0801303	1	7-Way Round Light Cnnctr
10	42.0900469	1	Kit - 6000 Lights & Harness
11	42.1501077	3	Grommet, Taillight
12	42.1501204	1	Light, Tail 4 in. Red
13	42.1501816	1	Light, Tail 4 in. Green
14	900366	2	Hhdnut - 3/8-16
15	901105	4	Washer - Flat 3/8 in. SAE
16	902367	2	Bolt: Hhd G5 3/8x1-1/4 In.
17	903033	8	Hhdblt - G5 1/4 x 1 Yellow Zinc
18	904092	8	Nut: Hex Nylok Cntr 1/4 In.
19	907348	4	Hhd Screw, 1/4-20 x 3/4 Stainless Steel Tc
20	21.51558	AR	Bulb: Replacement

9.02 Rear Transport Lights & Harness

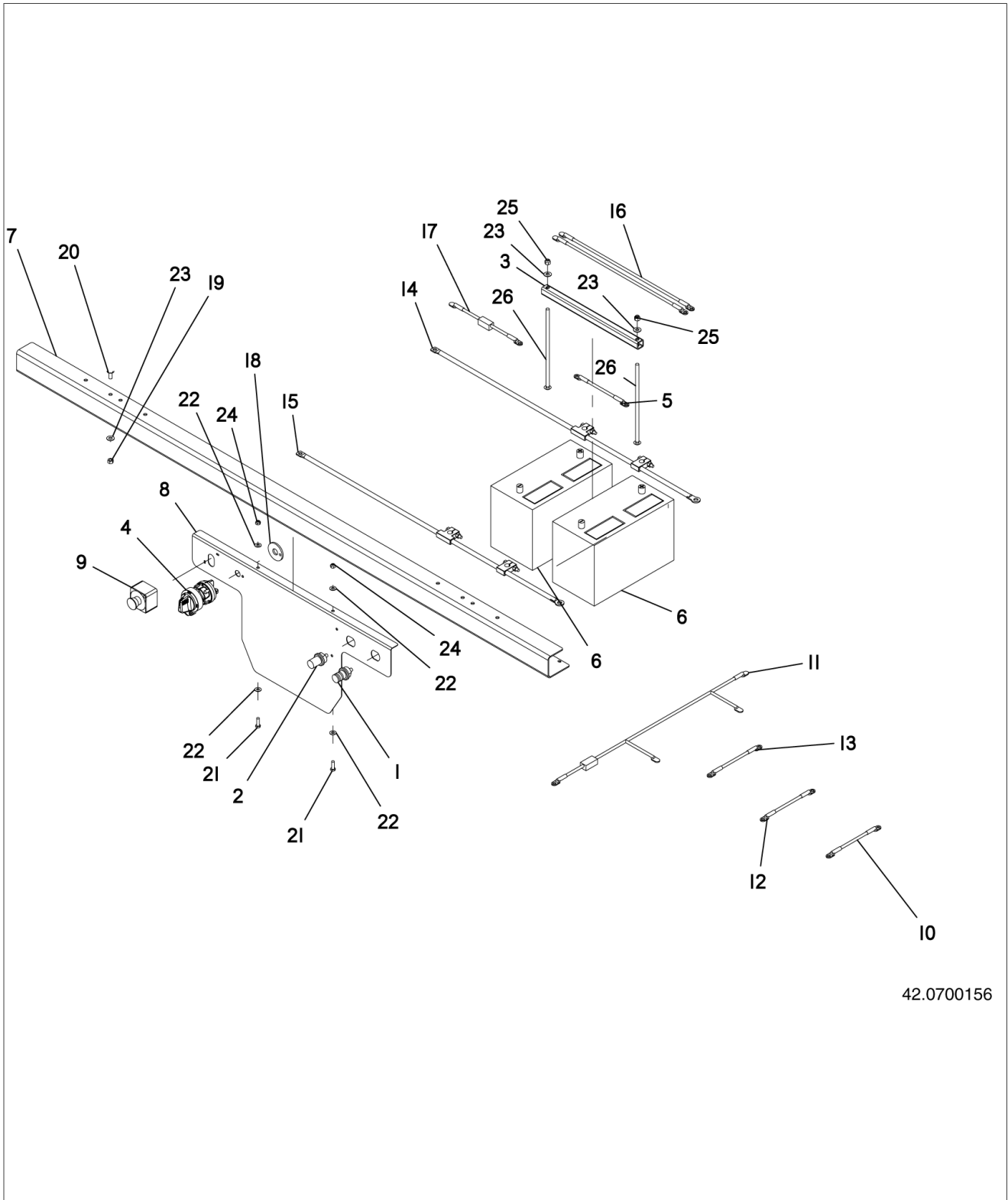


42.0900469

9.02 Rear Transport Lights & Harness

Item	Part No.	Quantity	Description
1	42.0901919	1	Light: Amber/Red LH Dual
1a	21.20917	1	Bulb 1157
1b	42.0901922	1	Bulb 1156
1c	42.0901920	2	Lens, Amber
1d	42.0901921	1	Lens, Red
2	42.0901918	1	Light: Amber/Red RH Dual
2a	21.20917	1	Bulb 1157
2b	42.0901922	1	Bulb 1156
2c	42.0901920	2	Lens, Amber
2d	42.0901921	1	Lens, Red
3	42.0900460	1	Harness, Light, 6000 Series
4	42.0900461	1	Harness, Light, Wishbone 6000

9.03 Asm: MX1012 Battery

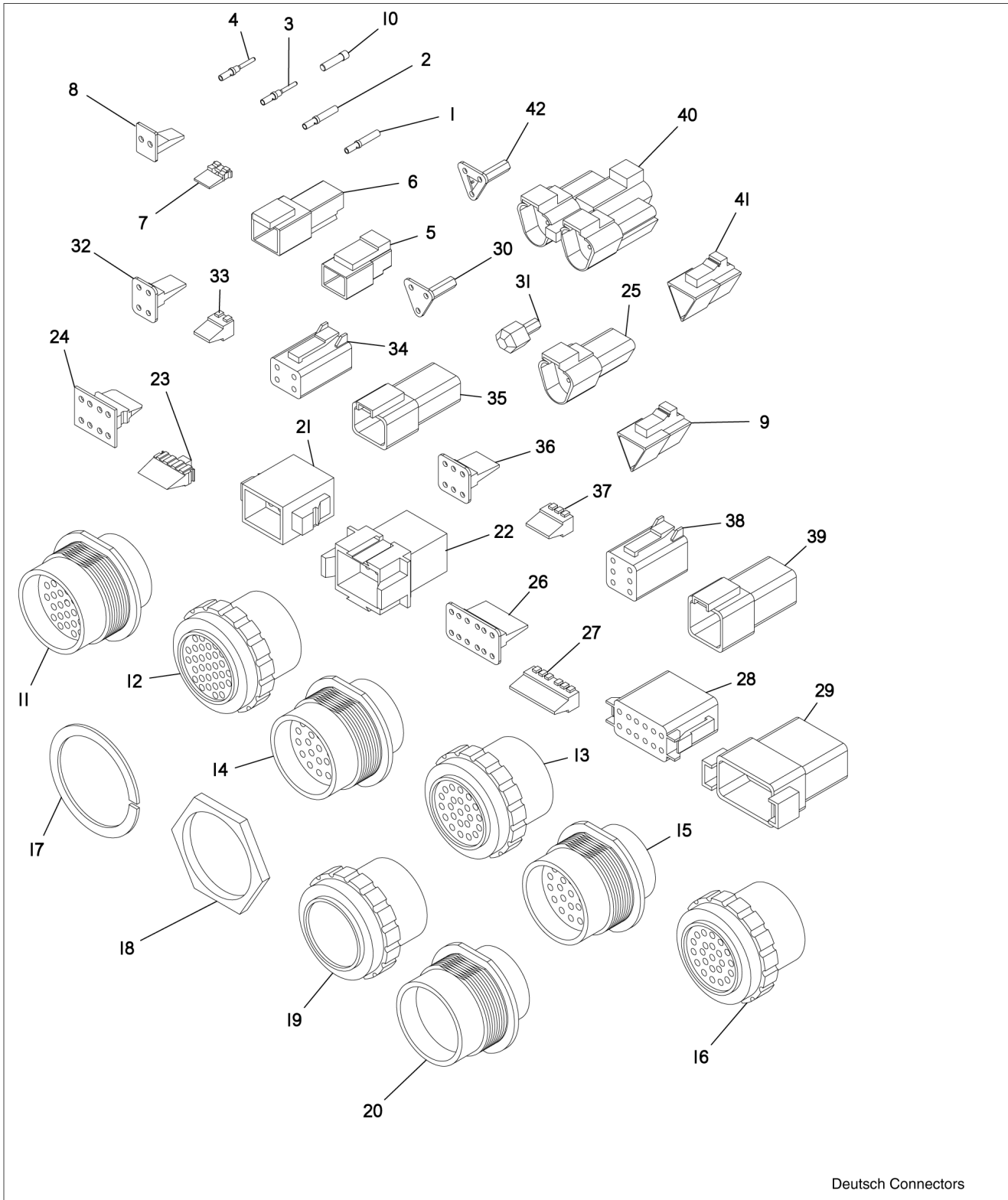


42.0700156

9.03 Asm: MX1012 Battery

Item	Part No.	Quantity	Description
1	21.20801	1	Neg Batt Jumper Term
2	21.20802	1	Pos Batt Jumper Term
3	21.40609	1	Tube: Battery Hold Down
4	21.46522	1	Switch: Batt Disconnect
5	21.61838	1	Harness: Alternator
6	32.60753	2	Battery, 925 CCA
7	42.0701563.5	1	Bar: Rear Lights
8	42.0701564.5	1	Bracket: Smv Sign
9	42.0701962	1	Switch: Emergency Stop, Remote
10	42.0702005	1	Harness: Ground Post To Engine
11	42.0702006	1	Harness: Winch Power
12	42.0702007	1	Harness: Post To Disconnect
13	42.0702008	1	Harness: Disconnect To Grid Htr Relay
14	42.0702073	1	Cable: Battery (+) Mx1012
15	42.0702074	1	Cable: Battery (-) Mx1012
16	42.0702075	1	Harness: Grid Heater Mx1012
17	42.0702076	1	Harness: Cb1
18	42.0702077	1	Plate: Spacer, Battery Disconnect
19	900366	4	Hhdnut - 3/8-16
20	900480	4	Carblt - 3/8-16 x 1 in.
21	907349	2	Hhdbl - Stainless Steel 5/16-18 x 1
22	907379	4	Washer, Stainless Steel 5/16 Flat
23	907380	6	Washer: Stainless Steel Flat 3/8 In.
24	907390	2	Hhdnut, 5/16-18 Stainless Steel Nylock
25	907391	2	Hhdnut - Stainless Steel Nylok 3/8-16
26	907691	2	Carblt - Stainless Steel 3/8-16 x 11 in.

9.04 Deutsch Connectors



9.04 Deutsch Connectors

Item	Part No.	Quantity	Description
1	21.01012	AR	Socket, Deutsch, 16/18 Ga
2	21.01013	AR	Socket, Deutsch, 14 Ga
3	21.01014	AR	Pin, Deutsch, 14 Ga
4	21.01015	AR	Pin, Deutsch, 16/18 Ga
5	21.22531	AR	Plug, Deutsch, 2-Socket
6	21.22532	AR	Receptacle, Deutsch, 2 Pin
7	21.22542	AR	Lock, Deutsch, 2 Pin Receptacle
8	21.22543	AR	Lock, Deutsch, 2 Socket Plug
9	21.01002	AR	Connector, Deutsch, 3 Socket
10	21.22579	AR	Plug, Deutsch Cavity
11	21.00962	AR	Receptacle, Deutsch, 31 Pin (Plastic)
12	21.00963	AR	Plug, Deutsch, 31 Socket (Plastic)
13	21.22682	AR	Connector, 23 Pos HD Deutsch Plug
14	21.22683	AR	Connector, 23 Pos HD Series, Deutsch Receptacle
15	21.22725	AR	Receptacle, Deutsch 23 Pin (Plastic)
16	21.22726	AR	Plug, Deutsch 23 Socket (Plastic)
17	21.20126	AR	Lockwasher, 1-11/16
18	21.20127	AR	Nut, 1-11/16-18
19	21.22723	AR	Cap, Deutsch Plug
20	21.22724	AR	Cap, Deutsch Receptacle
21	21.22538	AR	Plug, Deutsch, 8 Socket
22	21.22539	AR	Receptacle, Deutsch, 8 Pin
23	21.22550	AR	Lock, Deutsch, 8 Pin Receptacle
24	21.22551	AR	Lock, Deutsch, 8 Socket Plug
25	21.22533	AR	Receptacle, Deutsch 3 Pin
26	21.22553	AR	Lock, Deutsch, 12 Socket Plug
27	21.22552	AR	Lock, Deutsch, 12 Pin Receptacle
28	21.22540	AR	Plug, Deutsch, 12 Socket
29	21.22541	AR	Receptacle, Deutsch, 12 Pin
30	21.22545	AR	Lock, Deutsch, 3 Socket Plug
31	21.22544	AR	Lock, Deutsch, 3 Pin Receptacle
32	21.22547	AR	Lock, Deutsch, 4 Socket Plug
33	21.22546	AR	Lock, Deutsch, 4 Pin Receptacle
34	21.22534	AR	Plug, Deutsch, 4 Socket
35	21.22535	AR	Receptacle, Deutsch, 4 Pin
36	21.22549	AR	Lock, Deutsch, 6 Socket Plug
37	21.22548	AR	Lock, Deutsch, 6 Pin Receptacle
38	21.22536	AR	Plug, Deutsch, 6 Socket
39	21.22537	AR	Receptacle, Deutsch, 6 Pin
40	21.30313	AR	Receptacle, Y
41	32.60886	AR	Terminating Resistor, Deutsch

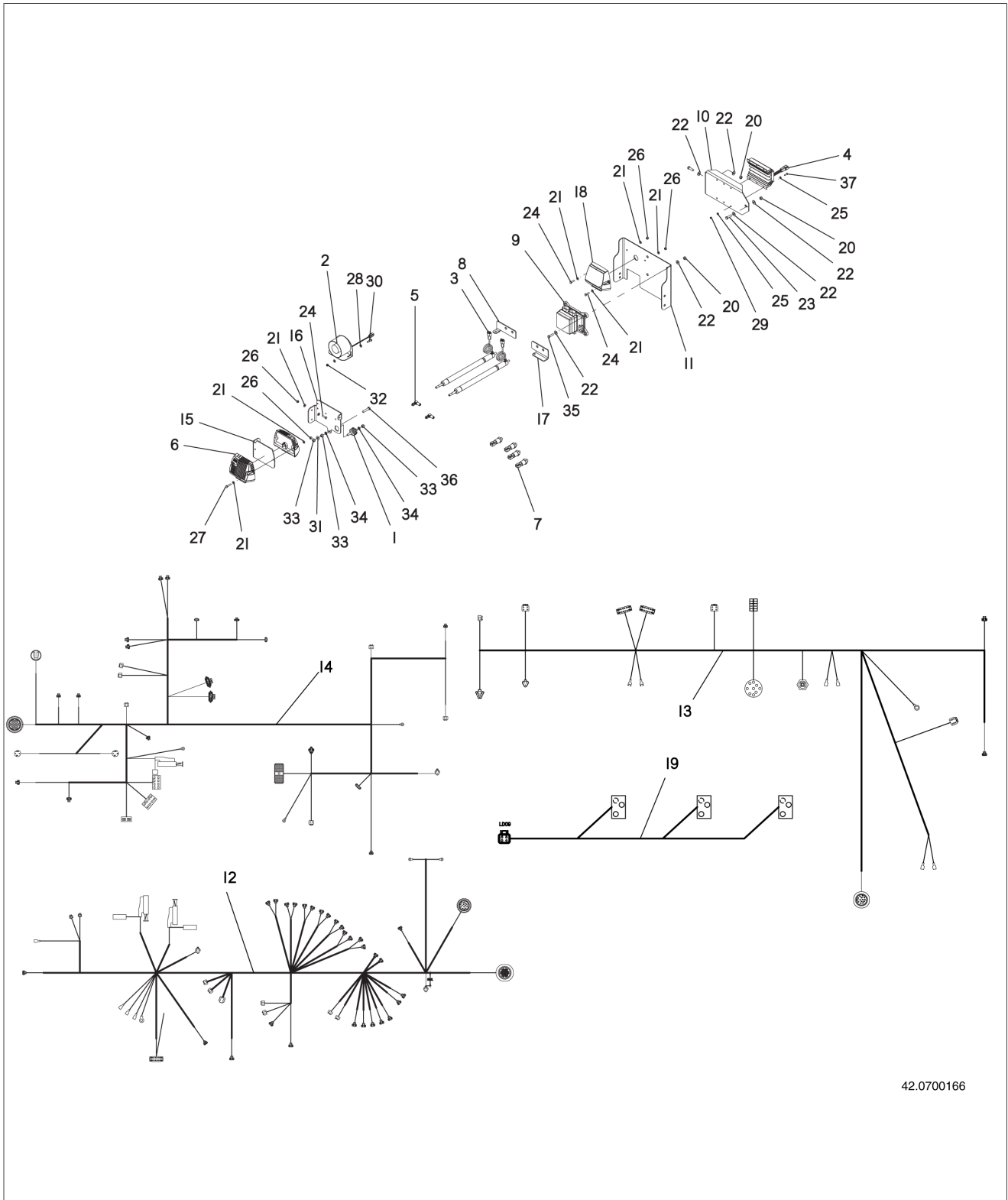
Section 9

9.04 Deutsch Connectors

Item	Part No.	Quantity	Description
42	32.60887	AR	Wedge Lock, Deutsch, J1939

This Page Intentionally Left Blank

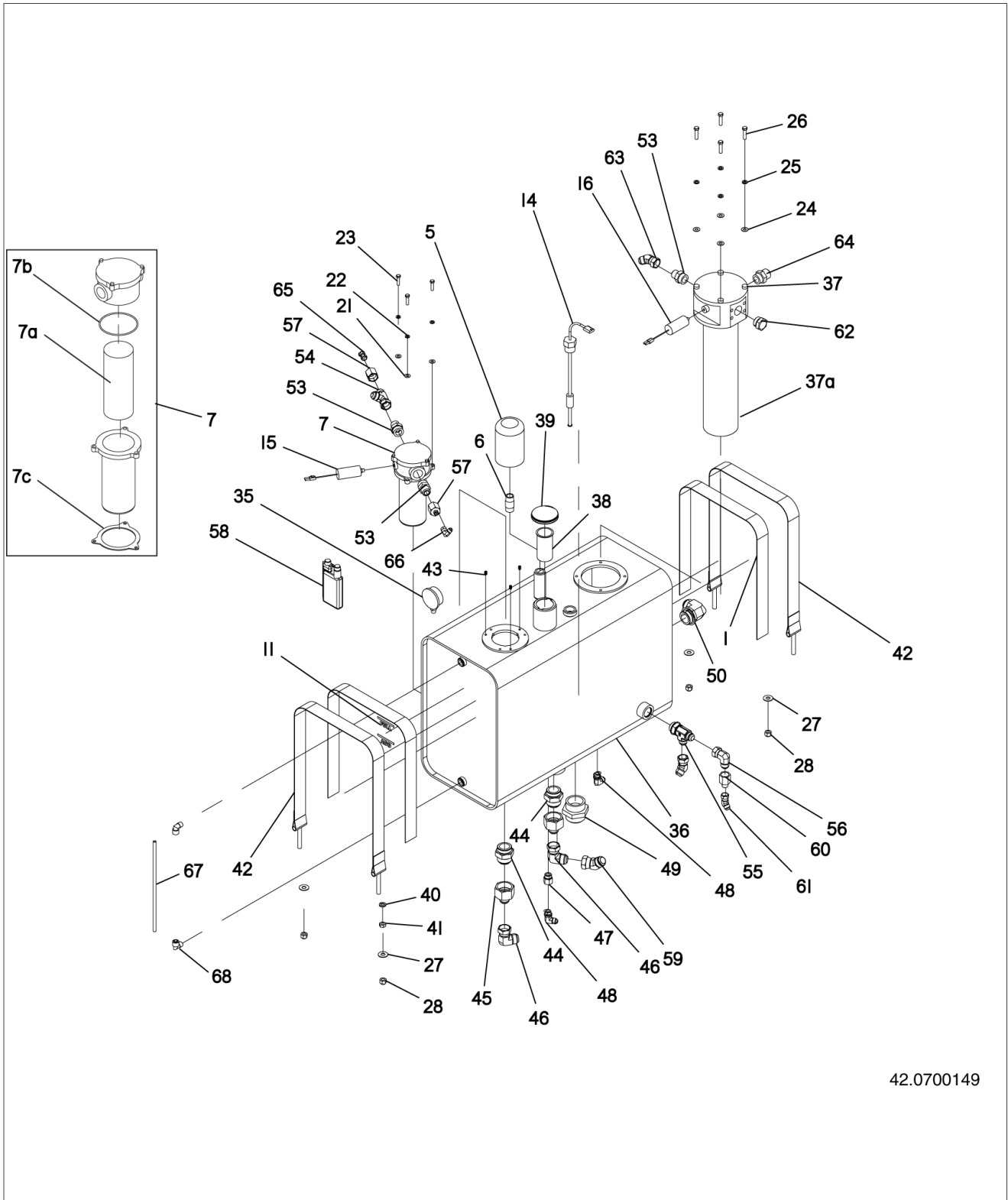
9.05 Asm: MX1012 Harness & Controller



9.05 Asm: MX1012 Harness & Controller

Item	Part No.	Quantity	Description
1	21.20803	1	Stub - Battery Feeder 3/8 in.
2	21.23912	1	Backup Alarm W/ Connector
3	21.61887	2	Sensor: Wheel Position 250mm 4ws
4	21.46933	1	Relay: Solid State Dual 200a
5	21.47520	4	Elbow Joint: Gas Spring
6	21.51074	2	Module: Iqan Xs2
7	21.52119	4	Transducer: Pressure 7500 Psi
8	42.0700991.8	1	Bracket: Potentiometer Mount CE
9	42.0701971	1	Module: MVEC Mx1012
10	42.0701973.5	1	Panel: Relay Mount
11	42.0701976.5	1	Panel: Engine End Control
12	42.0702001	1	Harness: Cab End Mx1012
13	42.0702002	1	Harness: Armrest Mx1012
14	42.0702004	1	Harness: Engine End Mx1012
15	42.0702079.5	1	Bracket: Component Mount CE
16	42.0702086.5	1	Bracket: Component Mount EE
17	42.0702217.8	1	Bracket: Potentiometer Mount EE
18	42.0800135	1	Module: Node Iqan Xa2
19	42.0800562	1	Harness: Signal Lights
20	900366	6	Hhdnut - 3/8-16
21	900493	16	Washer - Flat 1/4 in. SAE Yellow Zinc
22	901105	12	Washer - Flat 3/8 in. SAE
23	902367	2	Bolt: Hhd G5 3/8x1-1/4 In.
24	903033	6	Hhdblt - G5 1/4 x 1 Yellow Zinc
25	907494	12	Washer - #10 Stainless Steel
26	904092	8	Nut: Hex Nylok Cntr 1/4 In.
27	907171	2	Hhdblt G5 1/4-20 x 1-1/4 Yellow Zinc
28	907234	4	Washer: Stainless Steel Flat 1/4 In.
29	907621	6	Hhdnut, #10-24 Nylock Stainless Steel
30	907322	2	Bolt: Hhd Stainless Steel 1/4-20 x 1
31	907380	1	Washer: Stainless Steel Flat 3/8 In.
32	907389	2	Nut: Hex Stainless Steel Nylok 1/4-20
33	907391	3	Hhdnut - Stainless Steel Nylok 3/8-16
34	907428	2	Star Washer, 3/8 Stainless Steel
35	907457	4	Hhdblt - Stainless Steel 5/16-18 x 1-1/4 in.
36	907461	1	Hhdblt, 3/8-16 x 1-3/4 Full Thrd Stainless Steel
37	908080	6	Screw, #10-24 x 3/4 in. Pan Hd

10.01 Asm: MX1012 Hyd Tank



42.0700149

10.01 Asm: MX1012 Hyd Tank

Item	Part No.	Quantity	Description
1	11.77800	8 Ft	Webbing: 2 In. Black (Order Per Foot)
5	21.20848	1	Filter: Oil Tank Breather
6	21.20849	1	Adapter: Breather Filter
7	21.20850	1	Filter: Asm - Top Tank Case Drn
7a	21.21112	1	Filter Element, Top 8Z25
7b	21.21113	1	O-Ring - Hyd Filter 275 Top
7c	21.21115	1	Gasket, Hyd Filter
11	21.20881	1	Decal: Oil Level Hyd Reservoir
14	21.21860	1	Sender: Oil Level/temp
15	21.22264	1	Switch: Return Filter 22 Psi
16	21.30844	1	Switch: Return Filter 35 Psi
21	907379	3	Washer: Stainless Steel Flat 5/16
22	907411	3	Washer: Stainless Steel Lock 5/16 In.
23	907457	3	Bolt: Hhd Stainless Steel 5/16-18 x 1-1/4 In.
24	907380	4	Washer: Stainless Steel Flat 3/8 In.
25	907412	4	Washer: Stainless Steel Lock 3/8 In.
26	907376	4	Bolt: Hhd Stainless Steel 3/8-16 x 1-1/2
27	907395	4	Washer: Stainless Steel Flat 1/2 In.
28	907392	4	Nut: Hex Stainless Steel Nylok 1/2-13
35	32.00730	2	Gauge: 1000 Psi Charge Pump
36	21.43513	1	Tank: Hyd Oil 75 Cc Aux Pump
37	21.42086	1	Filter: Asm - Hyd Return 4275/4360
37a	21.42586	1	Filter Element
38	21.43303	1	Strainer: Oil Reservoir
39	21.30210	1	Cap: Fuel/oil Tank
40	907418	1	Washer: Stainless Steel Lock 1/2 In.
41	901763	1	Nut: Jam - 1/2-13
42	21.41895	2	Strap: Oil Reservoir N4
43	908204	3	Screw: Set 5/16-Unc x 1/2 Skt
44	42.1540564	2	Connector: #24 MJ x #24 MO
45	908086	2	Reducer: 24-16 JIC
46	21.00354	2	Elbow: 90d 16 JIC Sn
47	32.61808	1	Adapter: -10 M ORB x -08 F ORB
48	09.74145	2	Elbow: 90d 37d FI-ORB 3/4-16
49	21.43539ZJ	1	Straight: 2 In. ORB/JIC
50	32.04093	1	Elbow: -24 ORB x -20 MJIC
53	32.01955	3	Adapter: 3/4 MJIC To -16 ORB
54	32.01945	1	Tee: 3/4 Swivel Run 37 Flare
55	42.0702085	1	Tee: -16 ORB x -12 JIC
56	32.01941	1	Elbow: 3/4 MJIC x Swivel
57	32.60628	2	Reducer: 3/4 FJIC x 3/8 MJIC

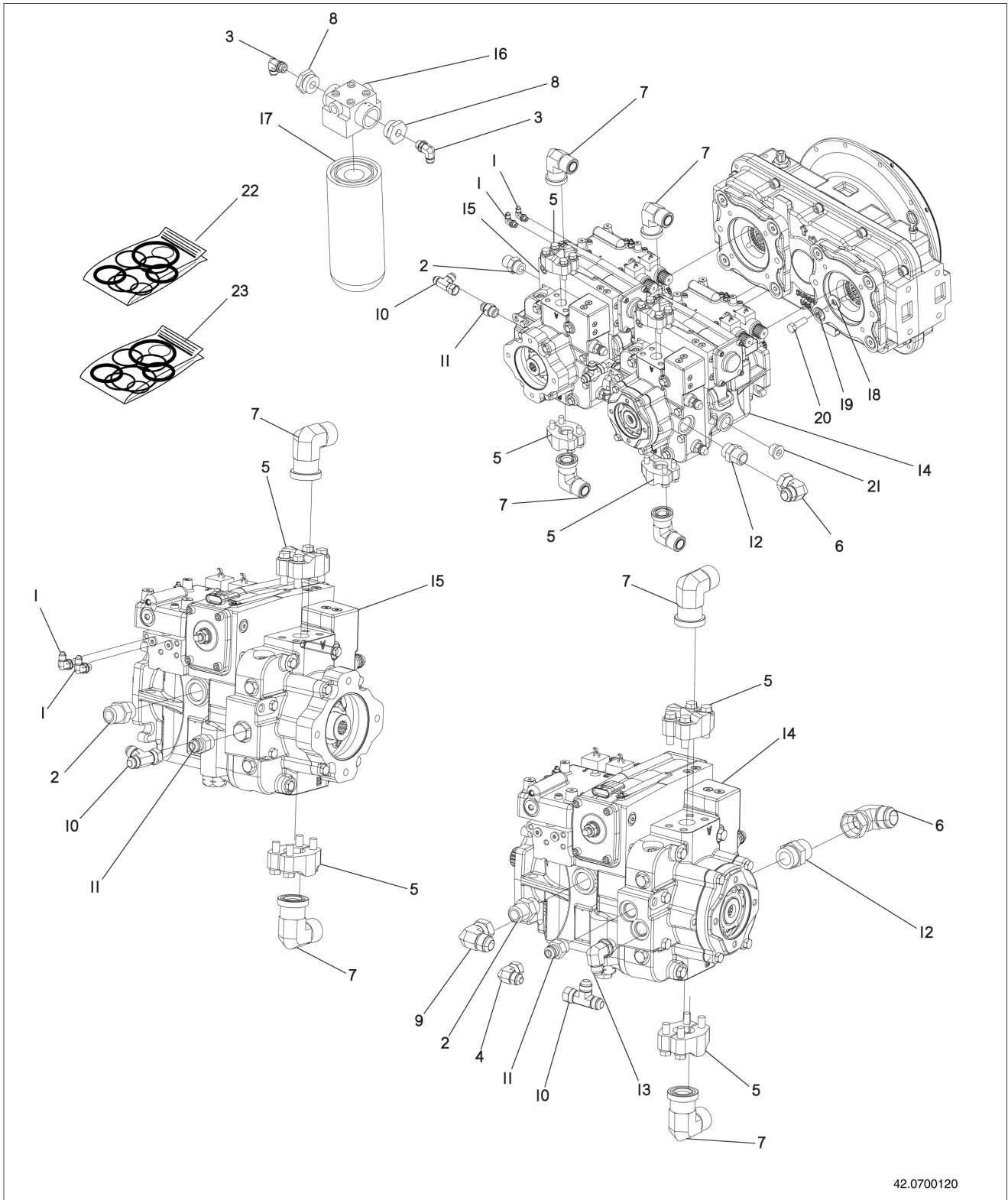
Section 10

10.01 Asm: MX1012 Hyd Tank

Item	Part No.	Quantity	Description
58	21.52432	1	Dye: Oil-Glo 44, 4oz
59	32.03090	1	Elbow: 45d 1 In. FJIC x MJIC
60	32.01948	1	Adapter: 3/4 In. FJIC 1/2 In. MJIC
61	42.1540621	1	Elbow: 45 #8 MJ x #8 FJ
62	32.02638	1	Plug: -16 ORB
63	09.74126	2	Elbow: 45d 37deg Flare
64	32.02656	1	Adapter: -16 ORB x 1 MJIC
65	07.17969	1	Elbow: 45d 3/8 JIC x 3/8 JIC
66	32.01921	1	Elbow: 3/8 MJIC x 3/8 JIC Swvl
67	21.20878	1.5 FT	Tubing, Clear, 3/8 in. (Included in Item 36) (Order Per Foot)
68	21.20879	2	Elbow, 90d, 3/8 in. Tube - 3/8 in. NPT (Included in Item 36)

This Page Intentionally Left Blank

10.02 Asm: MX1012 Hydrostat

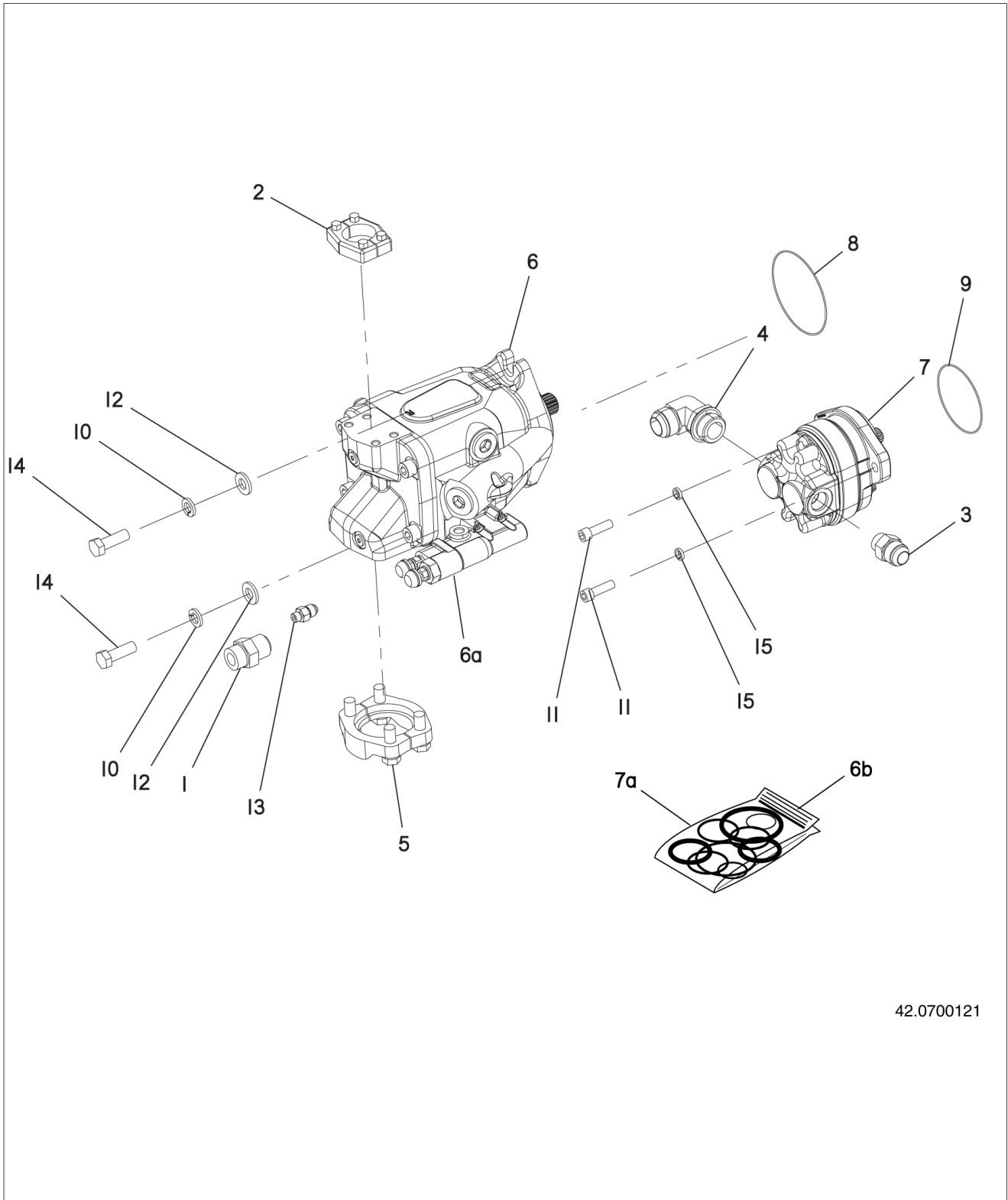


42.0700120

10.02 Asm: MX1012 Hydrostat

Item	Part No.	Quantity	Description
1	07.17945	2	Elbow: Str Trh 1/4x1/4 SAE
2	09.74127	2	Connector: 37deg Flare
3	09.74145	2	Elbow: 90d 37d FI-ORB 3/4-16
4	09.74149	1	Elbow: 90d 37d FI-Swvl 3/4-16
5	21.00333	4	Flange: Kit - SAE 1 In.
6	21.00354	1	Elbow: 90d 16 JIC Sn
7	21.20604ZJ	4	Elbow: 90d Flange
8	21.24366ZJ	2	Reducer: -20 ORB x -08 ORB
9	32.01941	1	Elbow: 3/4 MJIC x Swivel
10	32.02033	2	Tee: 1/2 Swivel Run 37 Flare
11	32.02101	2	Adapter: 1/2 MJIC x -10 ORB
12	32.02656	1	Adapter: -16 ORB x 1 MJIC
13	32.03794	1	Elbow: 10 ORB x 1/2 MJIC
14	42.0700309	1	Pump: Hydrostat With Charge
15	42.0701556	1	Pump: Hydrostat W/o Charge
16	42.0701832	1	Head: Filter Hmk05
17	42.0701833	1	Filter: Hyd Spin On 9 Micro
18	900497	8	Washer: Flat 1/2 In. Std
19	900506	8	Washer: Lock 1/2 In.
20	903306	8	Bolt: Hhd G5 1/2-13 x 1-1/2 In.
21	907334	1	Plug: #12sae O-Ring 1-1/16-12
22	21.31609	1	Kit: Seal for items 14 & 15
23	42.0702172	1	Kit: Shaft Seal for Items 14 & 15

10.03 Asm: MX1012 Hyd Pump

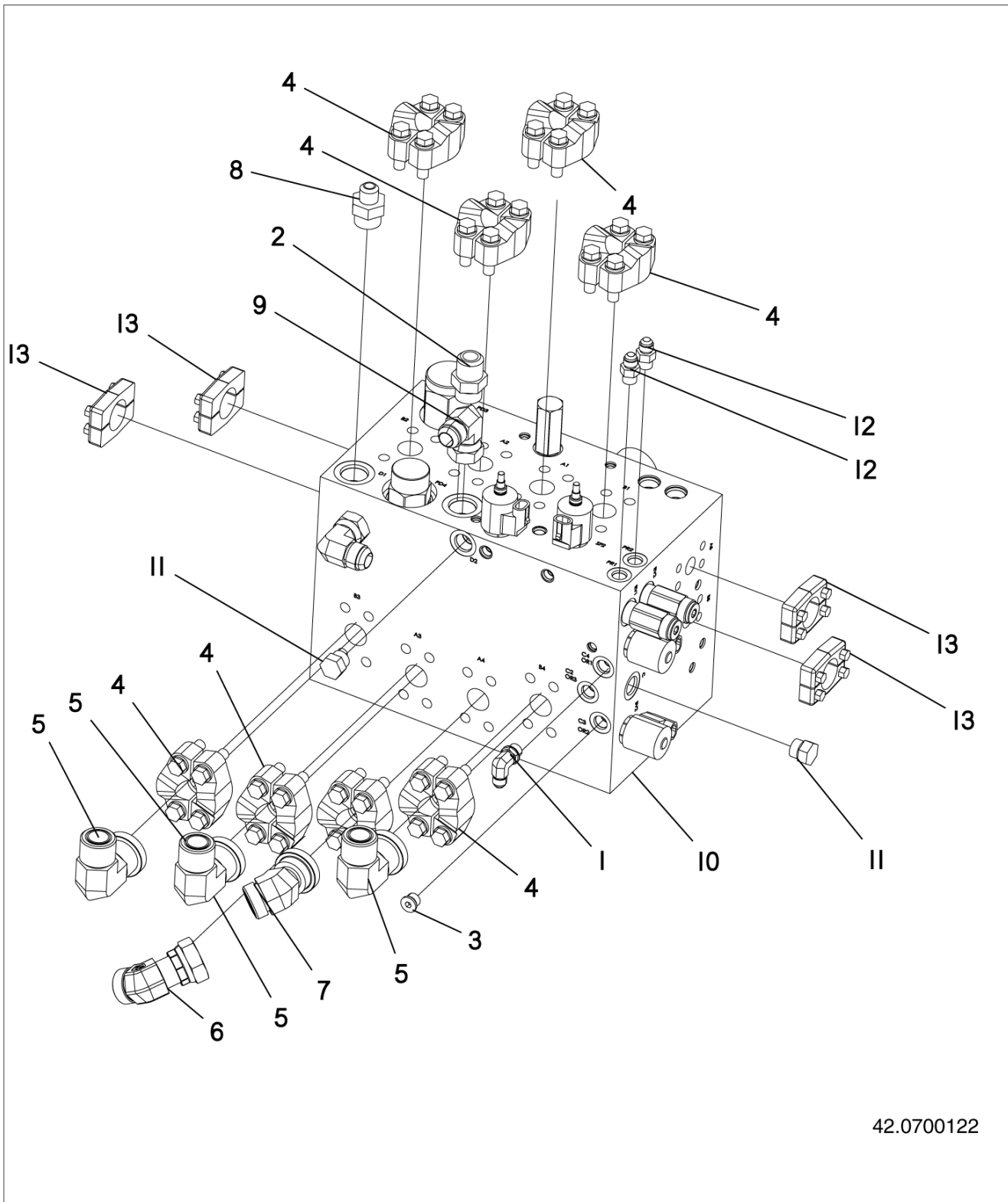


42.0700121

10.03 Asm: MX1012 Hyd Pump

Item	Part No.	Quantity	Description
1	09.74127	1	Adapter, -12 ORB x 3/4 M JIC
2	32.02072	1	Flange Kit, SAE 1 in. Code 61
3	32.02089	1	Adapter: 3/4 MJIC To -10 ORB
4	32.02512	1	Elbow, -16 ORB x -16 M JIC
5	32.03793	1	Flange: Kit - 2 In. Code 61
6	42.0700829.5	1	Pump: Piston
6a	42.0702173	1	Kit: Service Compensator
6b	42.0702174	1	Kit: Pump Seal
7	42.0700830.5	1	Pump: Gear
7a	42.0702175	1	Kit: Seal Repair
8	46.05288	1	O-Ring, #045
9	46.05289	1	O-Ring, #042
10	900506	2	Washer - Lock, 1/2
11	907298	2	Shcs, 3/8-16 x 1-1/4 in.
12	907594	2	Flatwasher, 1/2 Hardened
13	907695	1	Union -04 ORB-06 MJIC
14	907801	2	Hhblt Gr 8 1/2-13 x 1-1/2 Yellow Zinc
15	908144	2	Lockwasher, 3/8 Spcl

10.04 Asm: MX1012 Hydro Valve



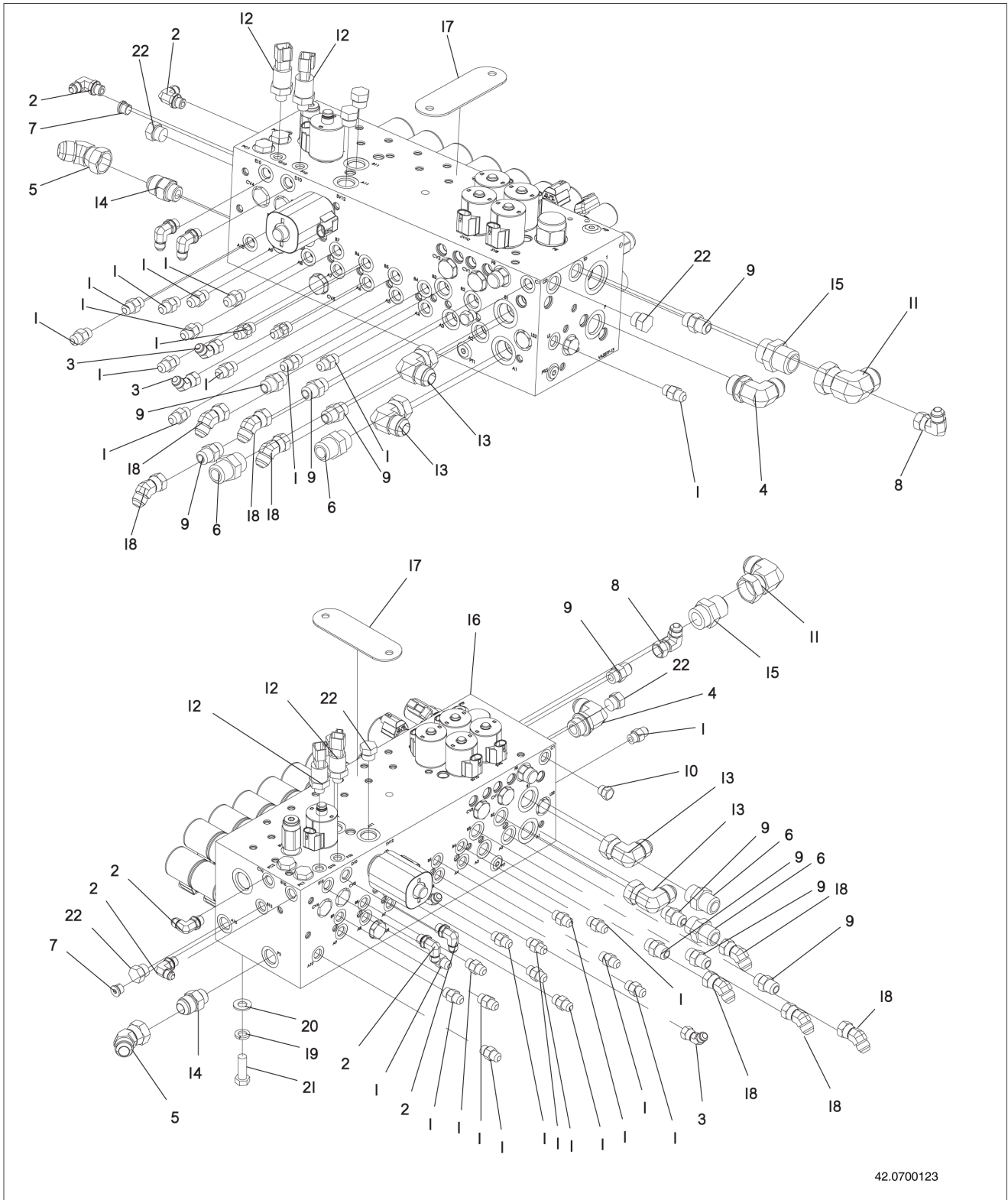
42.0700122

10.04 Asm: MX1012 Hydro Valve

Item	Part No.	Quantity	Description
1	07.17946	1	Elbow: 90d Adj 37d Flare ORB
2	09.74127	1	Connector: 37deg Flare
3	09.74143	1	Plug: 6 SAE Hex Socket
4	21.00333	8	Flange: Kit - SAE 1 In.
5	21.20604ZJ	3	Elbow - 90d Flange
6	21.23544	1	Elbow: 45d Swivel Nut - 16 ORFS
7	21.41837ZJ	1	Elbow: 45d 16 ORFS/16 Flange
8	32.01940	1	Adapter: -12 M ORB 1/2 MJIC
9	32.01941	2	Elbow: 3/4 MJIC x Swivel
10	42.0700722	1	Manifold: Hydrostat
11	907168	2	Plug: #8 ORB 3/4-16 Hex Head
12	907203	2	Restrictor: .062
13	908087	4	Flange: Kit - 3/4 In. Code 61

Section 10

10.05 Asm: MX1012 Aux Hyd Valve

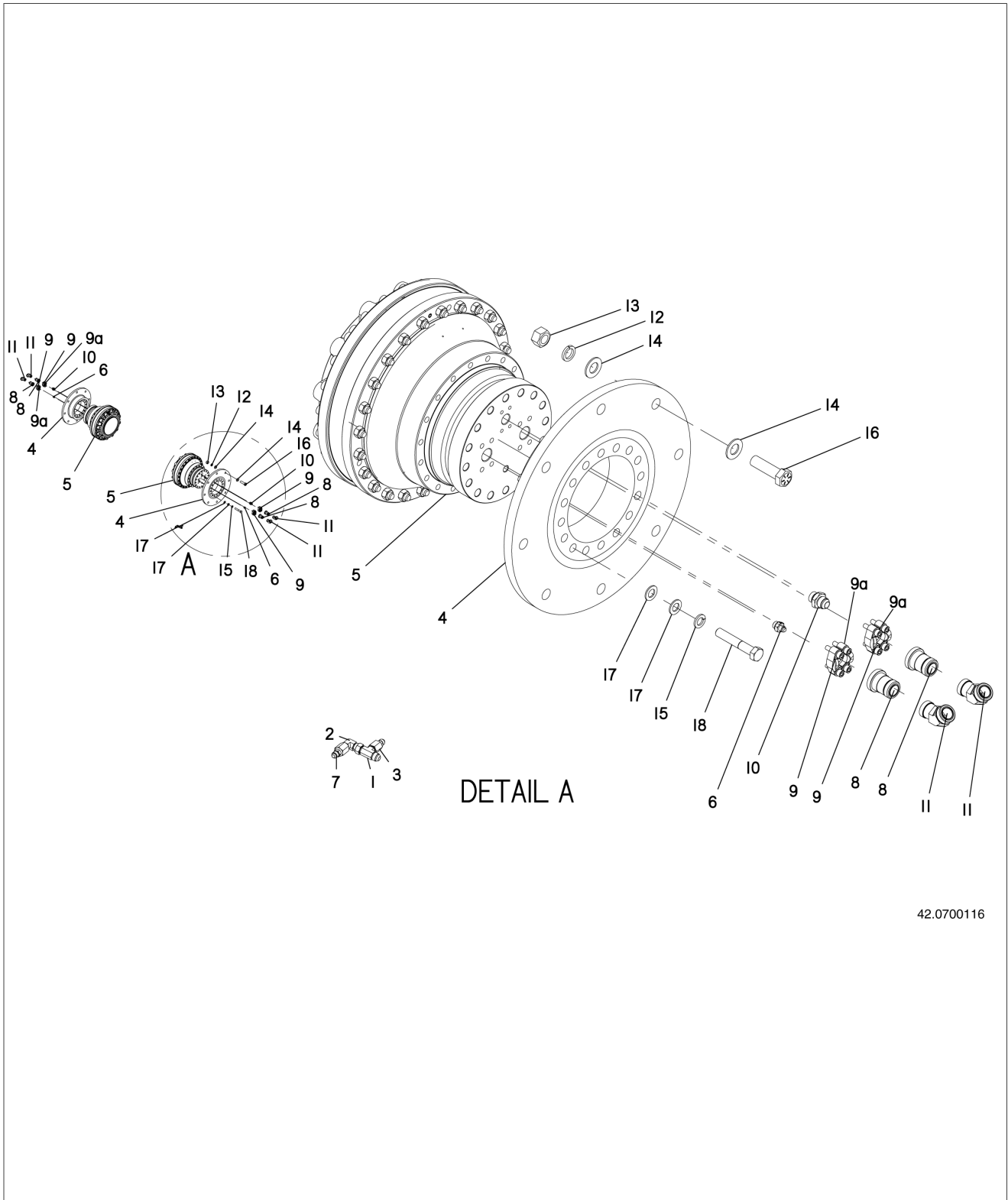


42.0700123

10.05 Asm: MX1012 Aux Hyd Valve

Item	Part No.	Quantity	Description
1	07.17911	14	Connector: 06 ORB x 06 JICM
2	07.17946	4	Elbow: 90d Adj 37d Flare ORB
3	07.17969	2	Elbow: 45d 3/8 JIC x 3/8 JIC
4	09.74125	1	Elbow: 90d 37deg Flare
5	09.74126	1	Elbow: 45d 37deg Flare
6	09.74127	2	Connector: 37deg Flare
7	09.74143	1	Plug: 6 Sae Hex Socket
8	09.74149	1	Elbow: 90d 37d FI-Swvl 3/4-16
9	09.74155	5	Connector: 37d FI-ORB 3/4-16
10	21.00321	1	Plug: Hex Hollow 6 ORST
11	21.00354	1	Elbow: 90d 16 JIC Sn
12	21.52119	2	Transducer: Pressure 7500 Psi
13	32.01941	2	Elbow: 3/4 MJIC x Swivel
14	32.02089	1	Adapter: 3/4 MJIC To -10 ORB
15	32.02656	1	Adapter: -16 ORB x 1 MJIC
16	42.0700721	1	Manifold: Aux Hydraulic
17	42.0702233.5	1	Bracket: Harness Mount
18	42.1540621	4	Elbow: 45 #8 MJ x #8 FJ
19	900506	4	Washer: Lock 1/2 In.
20	901937	4	Washer: Flat 1/2 In. SAE
21	903306	4	Bolt: Hhd G5 1/2-13 x 1-1/2 In.
22	907168	4	Plug: #8 ORB 3/4-16 Hex Head

10.06 Asm: MX1012 Rotor Drive Motors

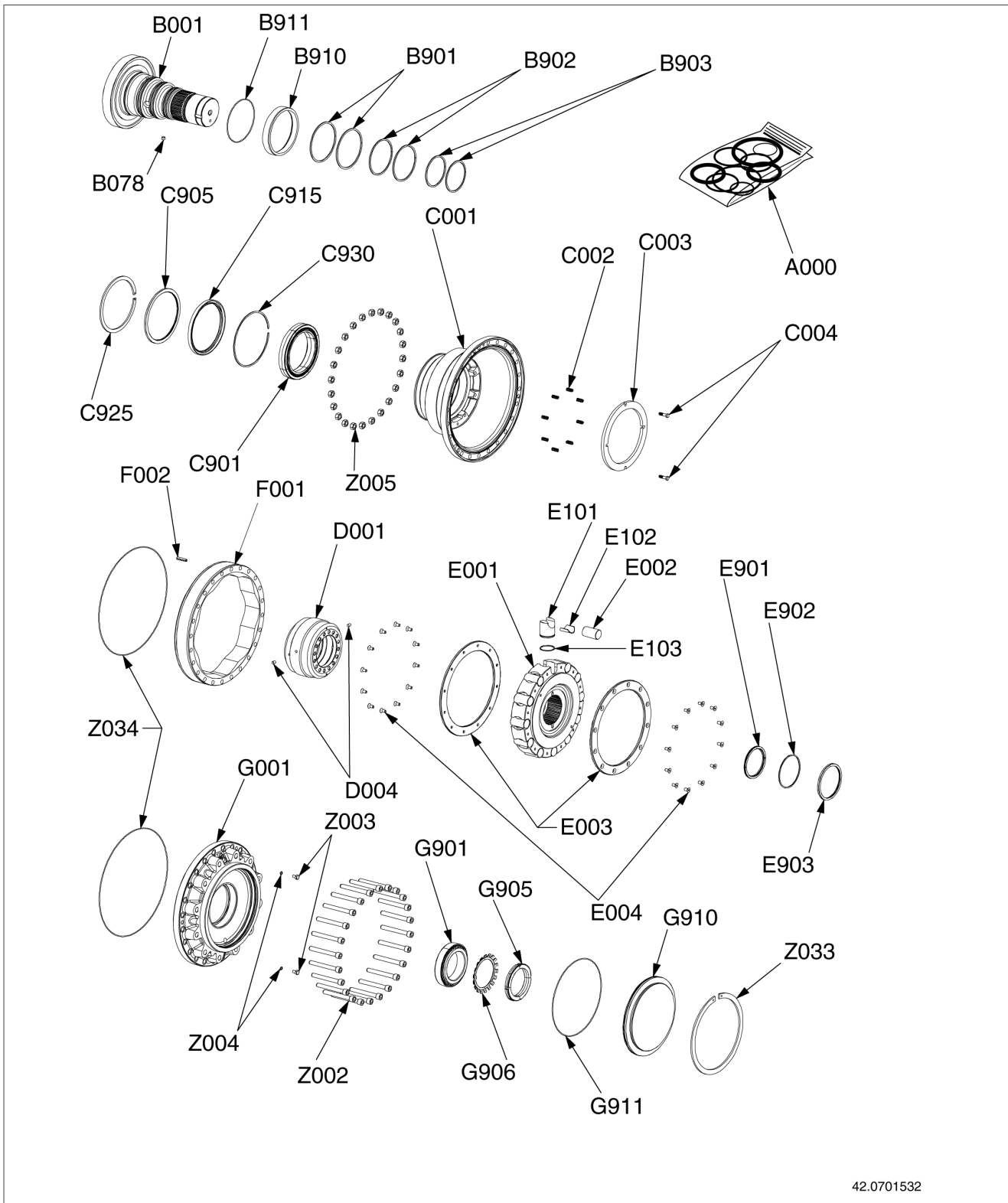


42.0700116

10.06 Asm: MX1012 Rotor Drive Motors

Item	Part No.	Quantity	Description
1	09.74123	1	Tee, Union, 3/4-16 37d JIC
2	09.74149	1	Elbow, 90 1/2 in. JIC Swivel
3	32.03057	2	Adapter, 1/2 F JIC x 3/8 M JIC
4	42.0700815	2	Support: Hyd Motor
5	42.0701532	2	Motor: Bb7 Heavy Duty Hydraulic
6	42.0701792	2	Adapter: -6 JIC To -6 Bsp
7	42.0702232	2	Orifice, 3/8 JIC .078
8	42.0902026	4	Flange: 20 ORFS/code 62
9	42.0902027	4	Flange: Kit - 20 Code 62
9a	32.05526	1	O-Ring (Included With Flange kit)
10	42.1540321	2	Adapter, Black Bruin 12f4omxs
11	44.04170	4	Elbow, -20 ORFS 45d Swivel
12	903563	16	Lockwasher, 1-8 Yellow Zinc
13	903564	16	Nut: Hex 1-8 Unc
14	903708	32	Flatwasher, SAE 1 in.
15	907686	32	Lockwasher, M20 Zc
16	907835	16	Hhdbl, Gr 8 1-8 x 3-1/2
17	908520	64	Washer: Flat M20 Yellow Zinc
18	908522	32	Bolt: Hex G10.9 M20x1.5x120 Yellow Zinc

10.07 Motor: BB7 Heavy Duty Hydraulic Breakdown



42.0701532

10.07 Motor: BB7 Heavy Duty Hydraulic Breakdown

Item	Part No.	Quantity	Description
B000	42.0702011	1	Assembly: Shaft
B001	42.0702012	1	Shaft
B078	42.0702013	1	Plug: Taper
B901	42.0702014	2	Ring: Sealing
B902	42.0702015	2	Ring: Sealing
B903	42.0702016	2	Ring: Sealing
B910	42.0702017	1	Collar
B911	42.0702018	1	O-Ring (Included In Seal Kit)
C000	42.0702019	1	Assembly: Rear Cover
C001	42.0702020	1	Cover: Rear
C002	42.0702021	8	Spring
C003	42.0702022	1	Ring: Coupling
C004	42.0702023	2	Pin
C901	42.0702024	1	Bearing
C905	42.0702025	1	Ring: Support
C915	42.0702026	1	Seal: Shaft (Included In Seal Kit)
C925	42.0702027	1	Ring: Retaining
C930	42.0702028	1	Ring: Retaining
D001	42.0702029	1	Valve: Distribution
D004	42.0702030	2	Pin
E000	42.0702031	1	Assembly: Cylinder Block
E001	42.0702032	1	Cylinder Block
E002	42.0702033	12	Cam Roller
E003	42.0702034	2	Ring: Guide
E004	42.0702035	24	Screw
E100	42.0702036	12	Assembly: Piston
E101	42.0702037	1	Piston
E102	42.0702038	1	Insert: Piston
E103	42.0702039	1	Ring: Piston
E901	42.0702040	1	Ring: Retaining
E902	42.0702041	1	Ring: Retaining
E903	42.0702042	1	Ring: Locking
F001	42.0702043	1	Ring: Cam
F002	42.0702044	1	Pin
G001	42.0702045	1	Cover: Hub
G901	42.0702046	1	Bearing
G905	42.0702047	1	Nut: Shaft
G906	42.0702048	1	Lock Washer
G910	42.0702049	1	Cover
G911	42.0702050	1	O-Ring (Included In Seal Kit)
Z002	42.0702051	24	Screw

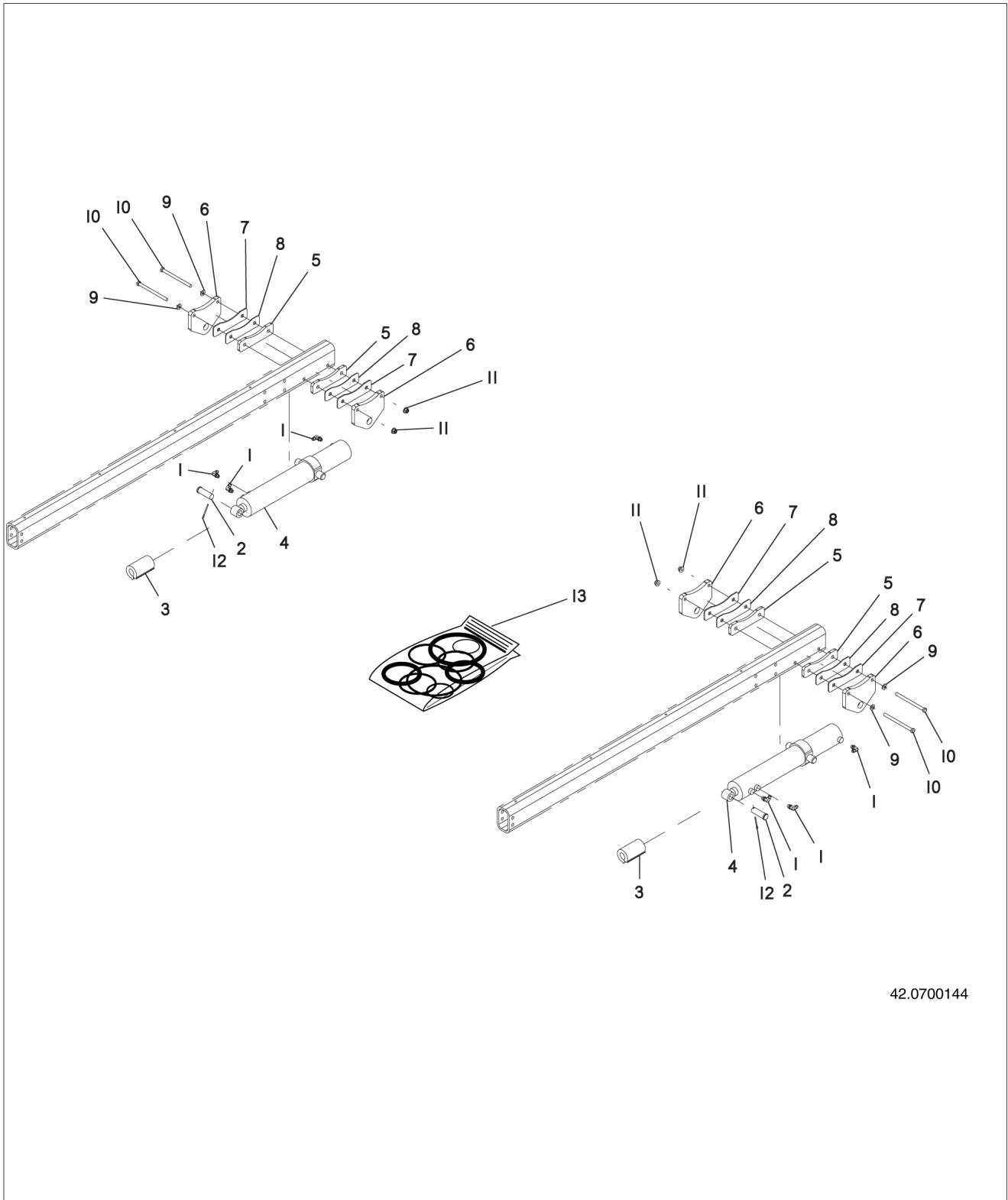
Section 10

10.07 Motor: BB7 Heavy Duty Hydraulic Breakdown

Item	Part No.	Quantity	Description
Z003	42.0702052	2	Screw: Air Bleed
Z004	42.0702053	2	Washer: Sealing (Included In Seal Kit)
Z005	42.0702054	24	Nut
Z009	42.0702055	1	Identification Plate
Z010	42.0702056	2	Pin
Z033	42.0702057	1	Ring: Retaining
Z034	42.0702058	2	O-Ring (Included In Seal Kit)
A000	42.0702059	1	Kit: Seal (Incl Items B911, C915, G911, Z004 & Z034)

This Page Intentionally Left Blank

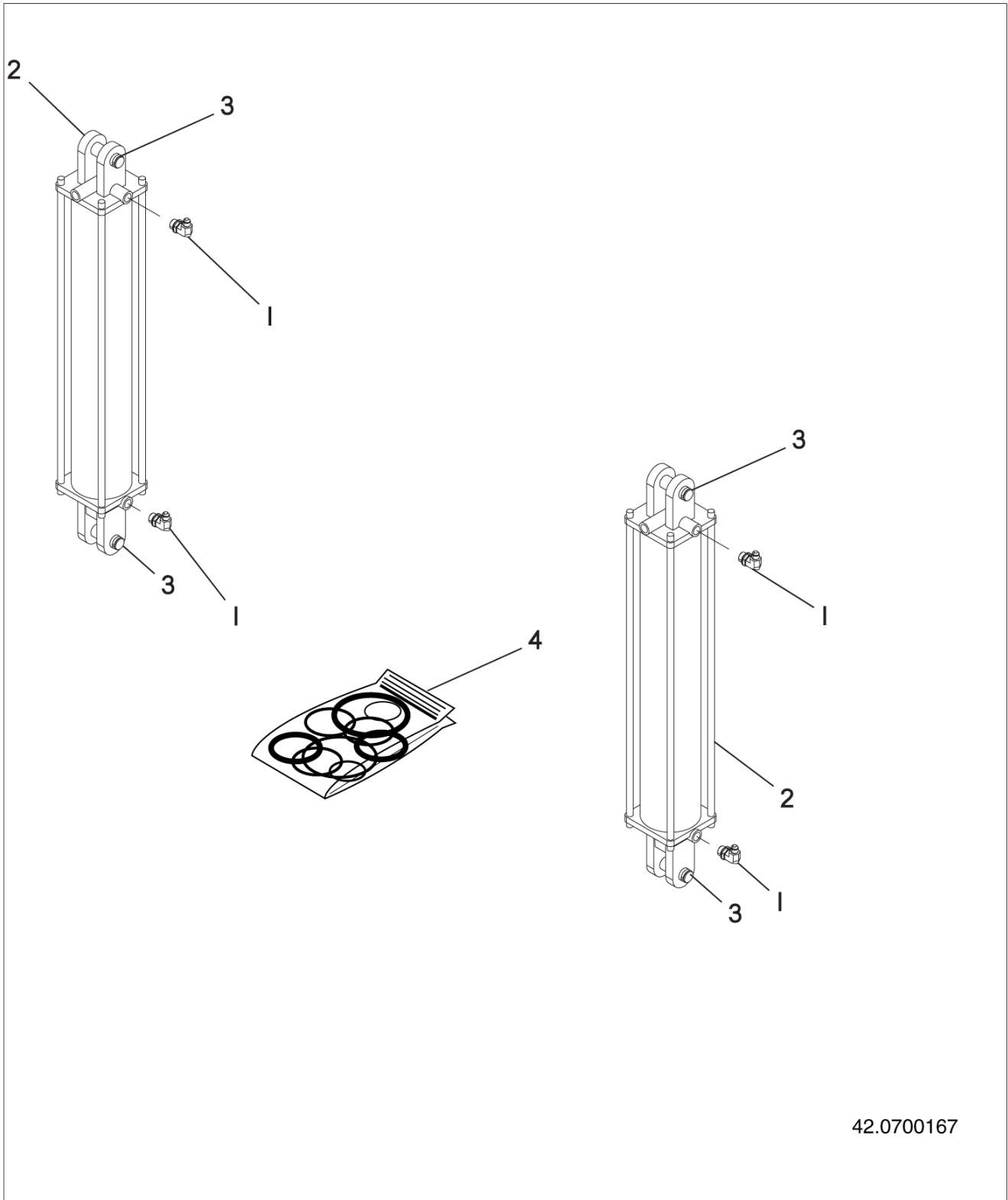
10.08 Asm: MX1012 Floor Cylinder



10.08 Asm: MX1012 Floor Cylinder

Item	Part No.	Quantity	Description
1	07.17946	6	Elbow, -06 ORB x MJIC
2	09.73604	2	Pin, Clevis 1 x 3 W/ Head, Plated
3	21.41666	2	Kit, Cylinder Stop
4	42.0700500.5	2	Cylinder: 3 x 20
5	42.0700547.5	4	Plate: Spacer
6	42.0700548.5	4	Plate: Ear
7	42.0701451.5	4	Plate: Spacer
8	42.0701452.5	4	Plate: Spacer
9	901937	8	Washer, 1/2 Flat
10	902927	4	Hhdbl, Gr5 1/2-13 x 7
11	907399	4	Hhdnut - Nylon Lk 1/2-13 Flange
12	907427	2	Cotter Pin, 3/16 x 2 Stainless Steel
13	42.0701927	1	Seal Kit, Cylinder

10.09 Asm: MX1012 Hyd Jack

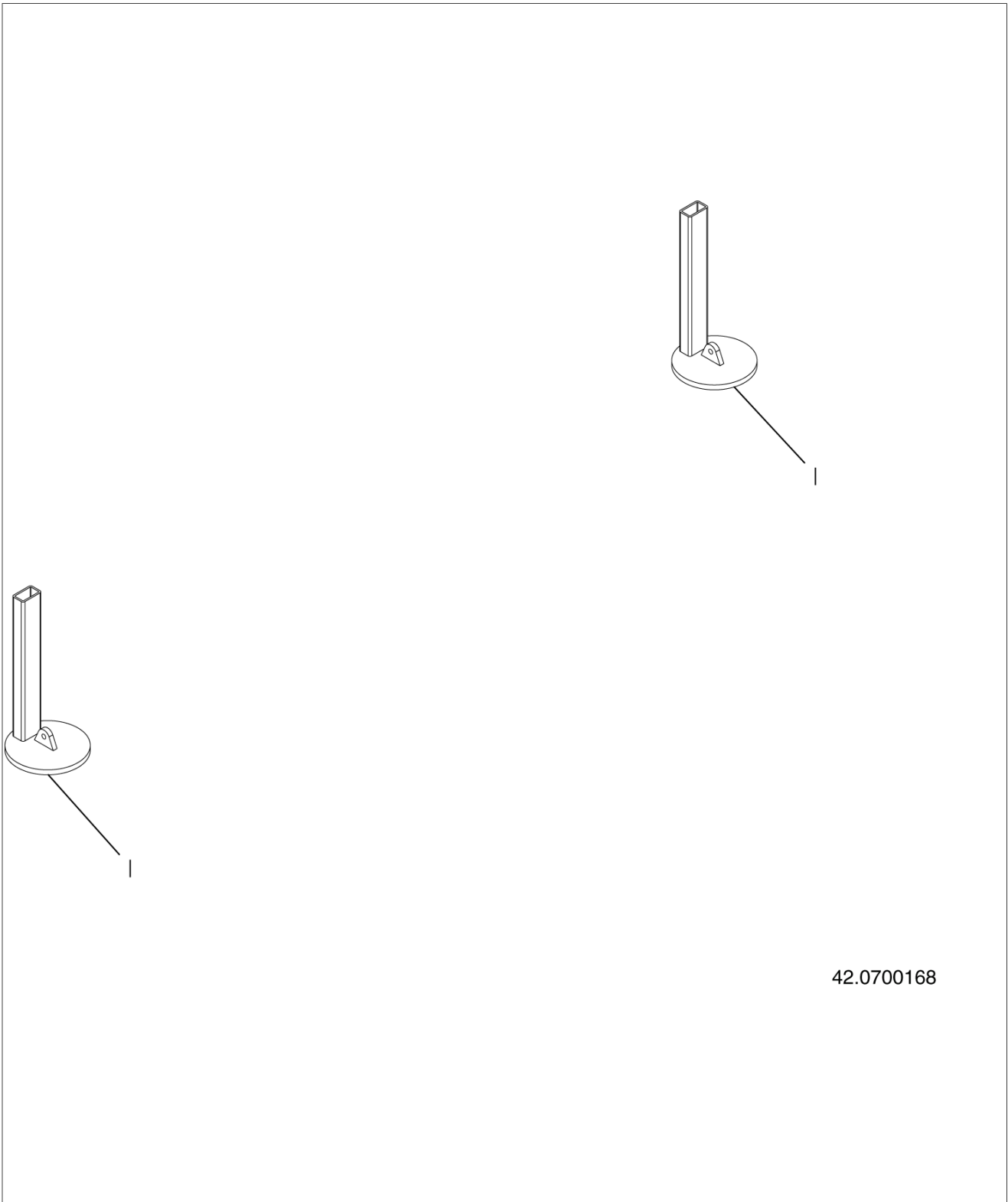


42.0700167

10.09 Asm: MX1012 Hyd Jack

Item	Part No.	Quantity	Description
1	32.03465	4	Elbow, -08 ORB x 3/8 MJIC
2	42.0800722	2	Hyd Cylinder, 4 in. x 24 in. ORB
3	42.0000686	2	Pin, Clevis
4	42.0800715	1	Seal Kit, Hydraulic Cylinder

10.10 Asm: MX1012 Jack Sliders

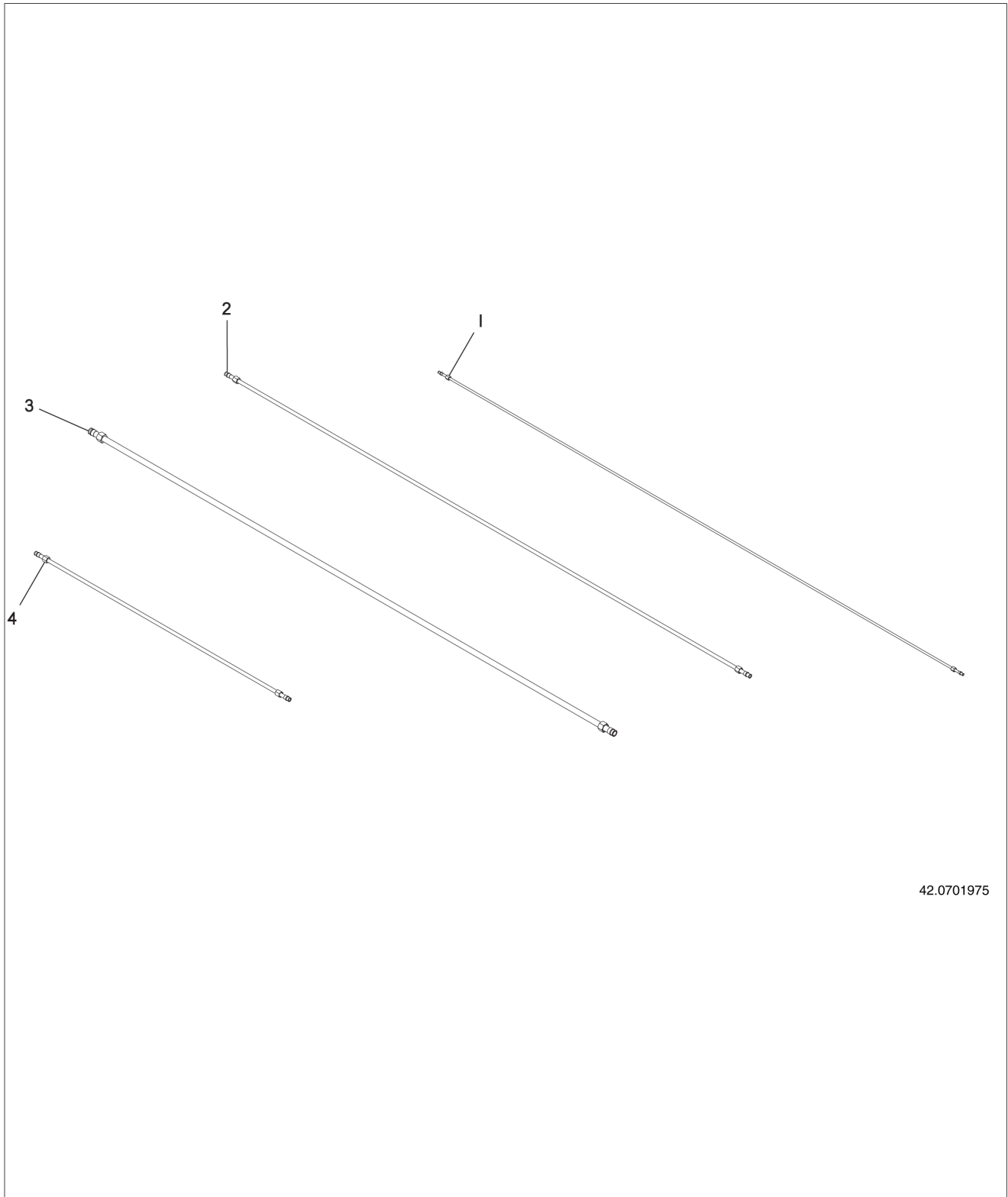


42.0700168

10.10 Asm: MX1012 Jack Sliders

Item	Part No.	Quantity	Description
1	42.1212016	2	Jack Base, Hydraulic - Cab End

10.11 Kit: MX1012 Hyd Tubing

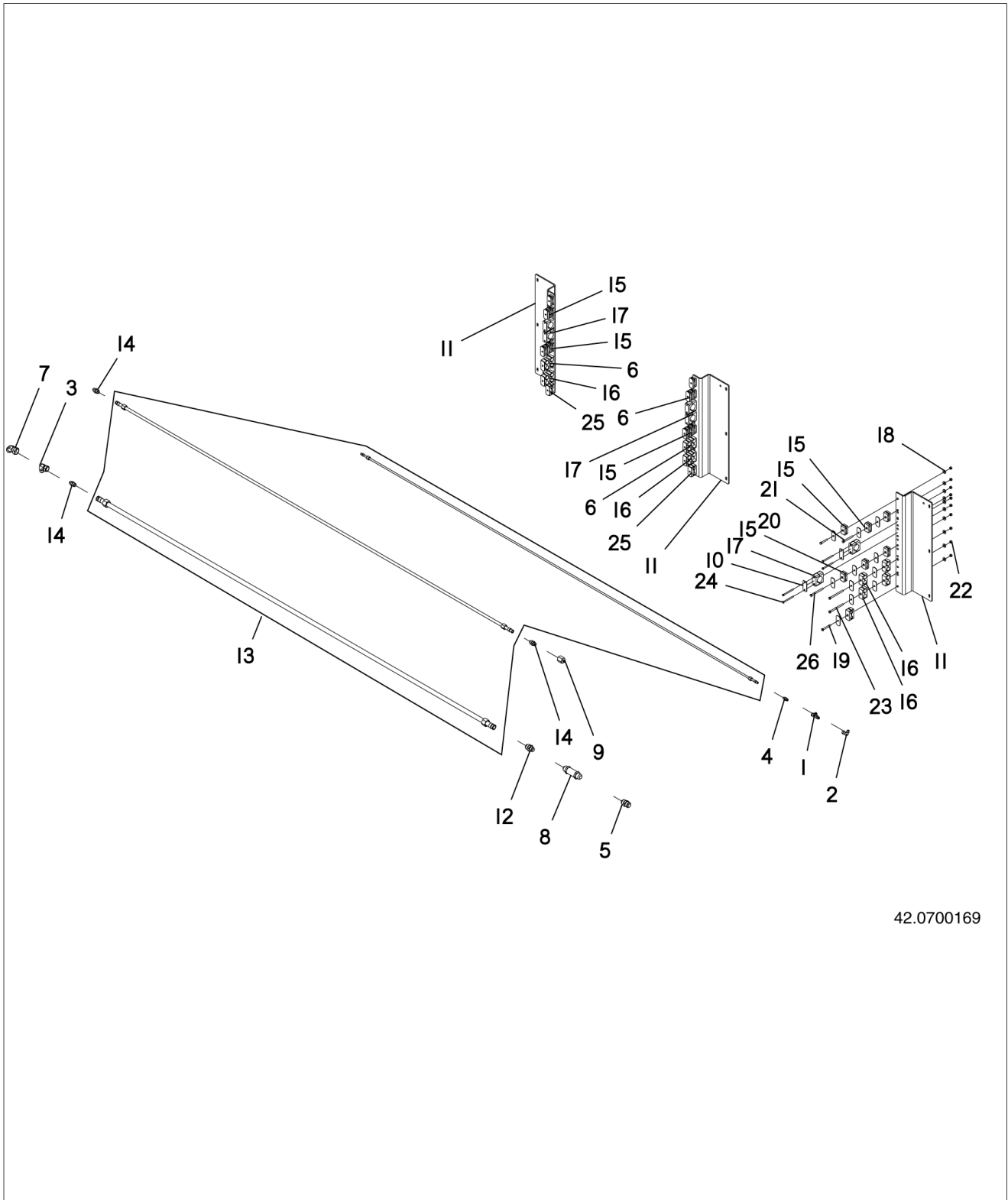


42.0701975

10.11 Kit: MX1012 Hyd Tubing

Item	Part No.	Quantity	Description
1	42.0701779	11	Tube: Hydraulic -06 x 130 in.
2	42.0701780	1	Tube: Hydraulic -10 x 130 in.
3	42.0701781	8	Tube: Hydraulic -16 x 130 in.
4	42.0701782	3	Tube: Hydraulic -10 x 63 in.

10.12 Asm: MX1012 Hyd Tubing

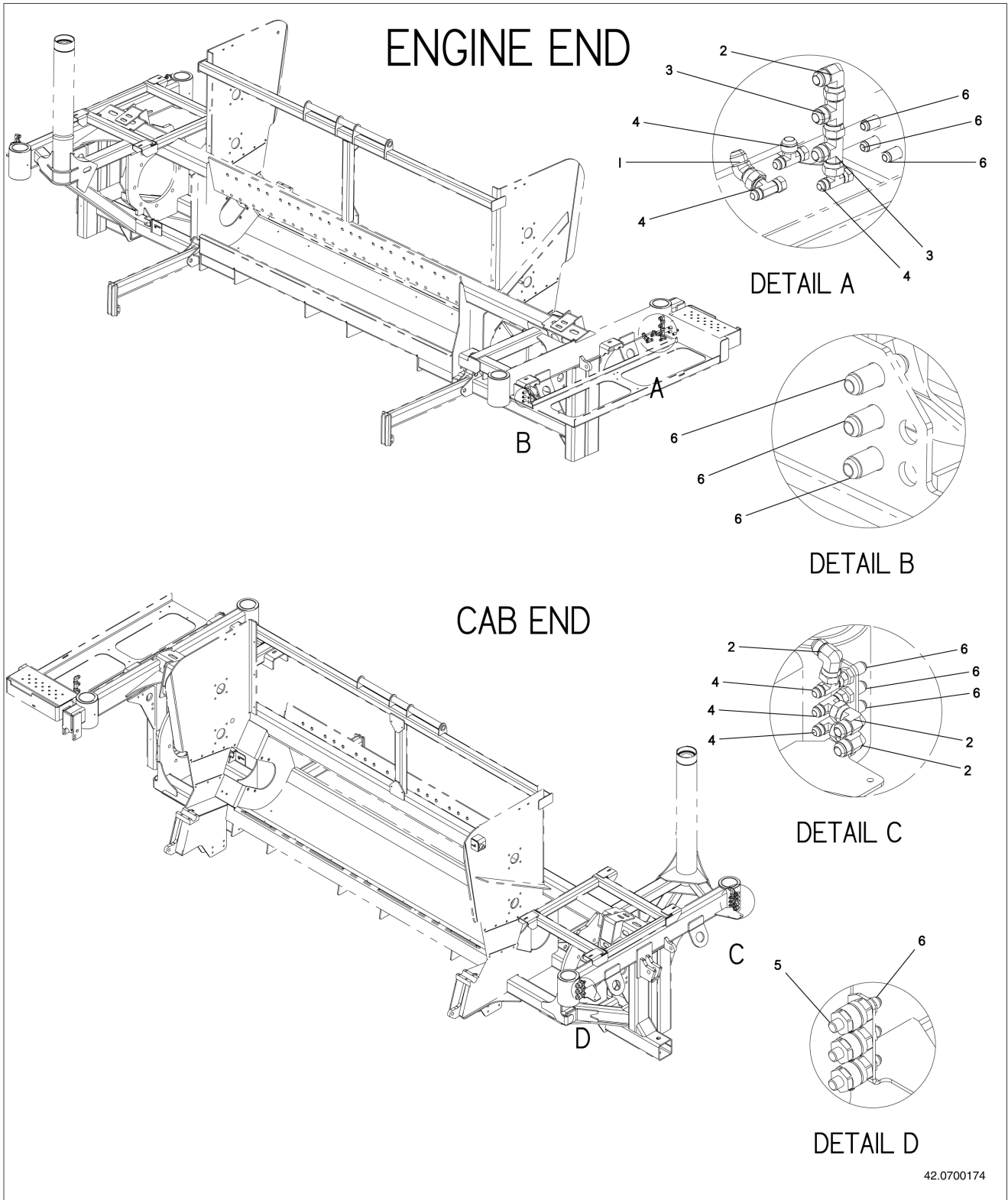


42.0700169

10.12 Asm: MX1012 Hyd Tubing

Item	Part No.	Quantity	Description
1	32.01604	3	Tee: 3/8 In. Swivel Run 37 Flare
2	32.01921	1	Elbow: 3/8 MJIC x 3/8 JIC Swvl
3	32.01941	1	Elbow: 3/4 MJIC x Swivel
4	32.01951	22	Union: 3/8 MJIC
5	32.01953	2	Union: 1 MJIC
6	32.02002	33	Plate: Clamp
7	32.03090	1	Elbow: 45d 1 In. FJIC x MJIC
8	32.03263	1	Valve: Check 1 In. JIC
9	32.60628	1	Reducer: 3/4 FJIC x 3/8 MJIC
10	40.00446	6	Cover: Stauff Clamp Single 2.05
11	42.0701460.8	3	Plate: Tubing Clamp Support
12	42.0701786	14	Straight: -12 MJIC x -16 MJIC
13	NSS	1	Kit: Mx1012 Hyd Tubing
14	42.0902031	4	Reducer: -10 MJIC x -08 MJIC
15	42.1541246	18	Clamp: Insert 3/8 Twin
16	42.1541754	12	Clamp: Insert Dbl 1t
17	42.1541981	6	Clamp: Insert Sgl 1-1/4p
18	900494	30	Washer: Flat 5/16 In. Std Yellow Zinc
19	902532	3	Bolt: Hhd G5 5/16 x 2-1/2 In. Yellow Zinc
20	902603	3	Bolt: Hhd G5 5/16-18 x 2 In.
21	902832	3	Bolt: Hhd G5 5/16 x 3 In.
22	906483	30	Nut: Hex Nylon Lk 5/16-18
23	907063	8	Bolt: Hhd G5 5/16-18 x 4-1/4 In.
24	907823	12	Bolt: Hhd Gr5 1/4-20 x 3-1/4 Yellow Zinc
25	908008	3	Clamp: Twin .625 Id Smooth
26	908281	1	Bolt: Hhd G5 5/16-18 x 3-3/4

10.13 Asm: MX1012 Frame Fittings

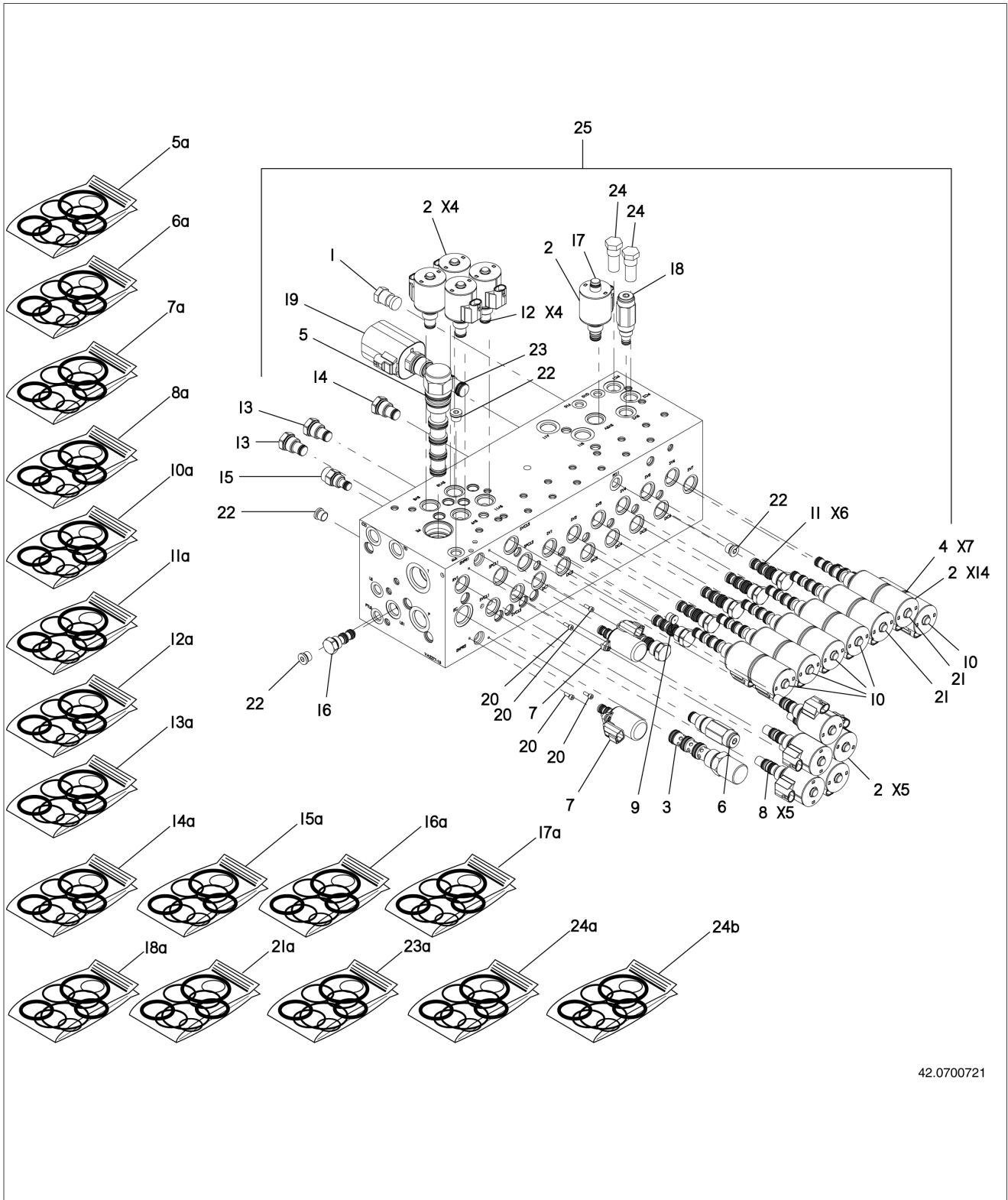


42.0700174

10.13 Asm: MX1012 Frame Fittings

Item	Part No.	Quantity	Description
1	09.74126	1	Elbow, 45d -12 MJIC x JIC Swvl
2	32.01941	4	Elbow, 3/4 MJIC x Swivel 90
3	32.01945	2	Tee, 3/4 Swivel Run 37 Flare
4	42.0701796	6	Tee: -8 Swivel Nutrun T, -12 37 Flare
5	42.0702231	3	Swivel: 08 MJIC - 08 FJIC
6	42.1540591	12	Union, Bulkhead #8 MJ x #8 MJ

10.14 Manifold: Auxiliary



42.0700721

10.14 Manifold: Auxiliary

Item	Part No.	Quantity	Description
1	21.31676	2	Valve, Po Check Cartridge
2	21.43288	24	Coil, Valve
3	21.44441	1	Cartridge - Pressure Compensator
4	32.04553	7	Spacer, Hydraforce -10 Coil
5	42.0702103	1	Valve: Spool Piloted Proportional
5a	42.0702139	1	Kit: Seal
6	42.0702104	1	Valve: Relief, Direct-Acting
6a	32.04462	1	Kit: Seal
7	42.0702105	2	Valve: Proportional, Reducing / Relieving
7a	42.0702140	2	Kit: Seal
8	42.0702106	5	Valve: Poppet, 3-Port, Nc
8a	21.43292	5	Kit: Seal
9	42.0702107	7	Valve: Check Disk
10	42.0702108	5	Valve: Spool, 5-Way, 3-Pos
10a	42.0702141	5	Kit: Seal
11	42.0702109	6	Valve: Po Check Valve
11a	32.04552	6	Kit: Seal
12	42.0702110	4	Valve: Poppet 2 Way Closed
12a	32.04462	4	Kit: Seal
13	42.0702111	2	Valve: Check 100 Psi
13a	32.04462	2	Kit: Seal
14	42.0702112	1	Valve: Check 300 Psi
14a	32.04462	1	Kit: Seal
15	42.0702113	1	Valve: Flow Regulator, Pc
15a	21.25524	1	Kit: Seal
16	42.0702114	2	Valve: Load Shuttle, Ball
16a	42.0702142	2	Kit: Seal
17	42.0702115	1	Valve: Spool 2 Way W/relief
17a	42.0702142	1	Kit: Seal
18	42.0702116	1	Valve: Relief, Direct-Acting, Poppet
18a	42.0702143	1	Kit: Seal
19	42.0702117	1	Coil: Valve
20	42.0702118	4	Socket Head Cap Screw M4 0.7x12mm
21	42.0702119	2	Valve: Spool 5 Way 3 Pos Brake Release
21a	42.0702141	2	Kit: Seal
22	42.0702120	4	Plug: O-Ring Sae #6
23	42.0702170	1	Valve: 2 Pos 4 Way Spool
23a	21.44443	1	Kit: Seal
24	42.1541795	2	Valve, Po Check
24a	21.43296	2	Kit: Seal Valve PO Check
24b	21.25526	2	Kit: Seal PC Chassis

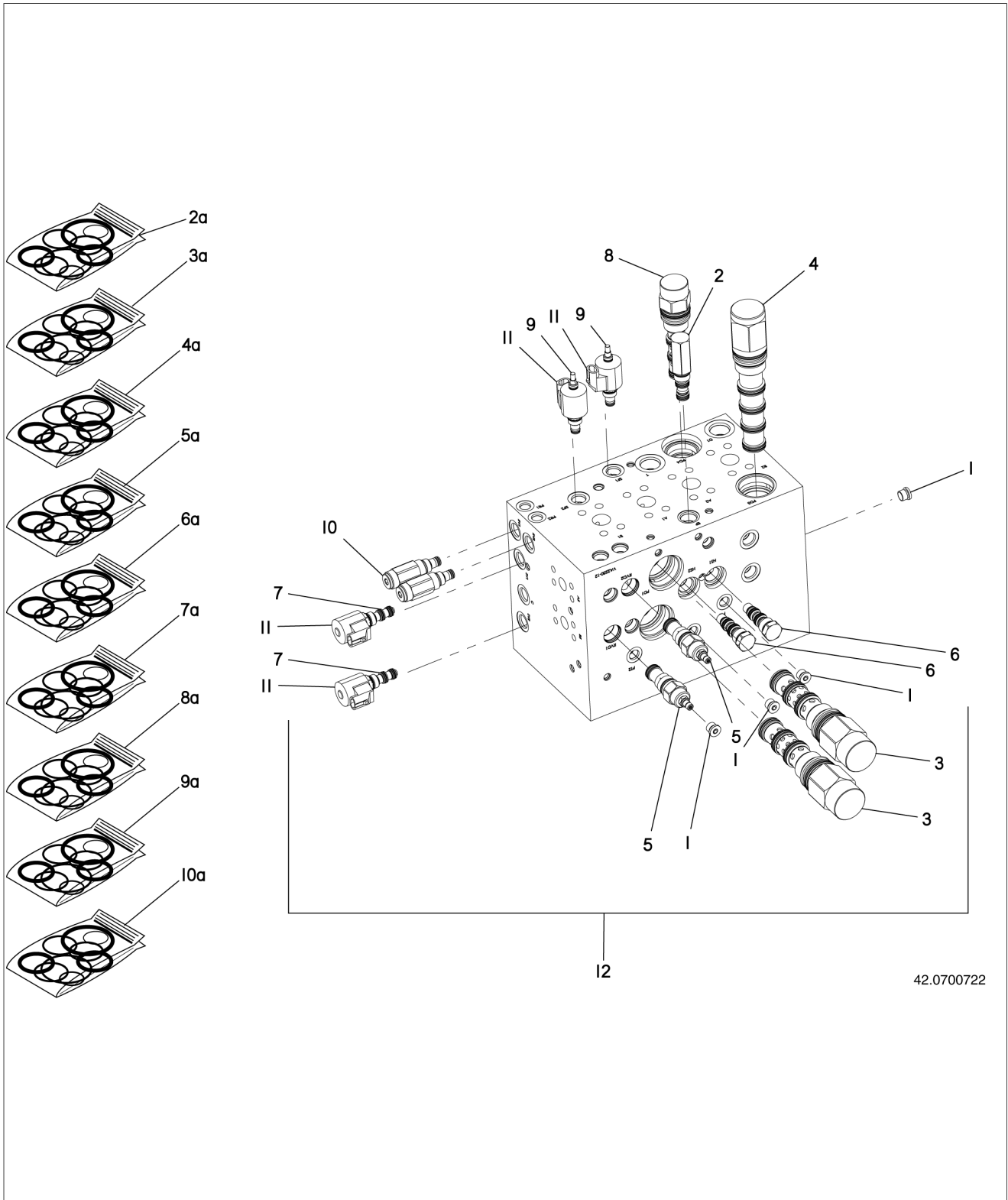
Section 10

10.14 Manifold: Auxiliary

Item	Part No.	Quantity	Description
25	42.0700721	1	Manifold: Auxiliary Complete

This Page Intentionally Left Blank

10.15 Manifold: Hydrostat

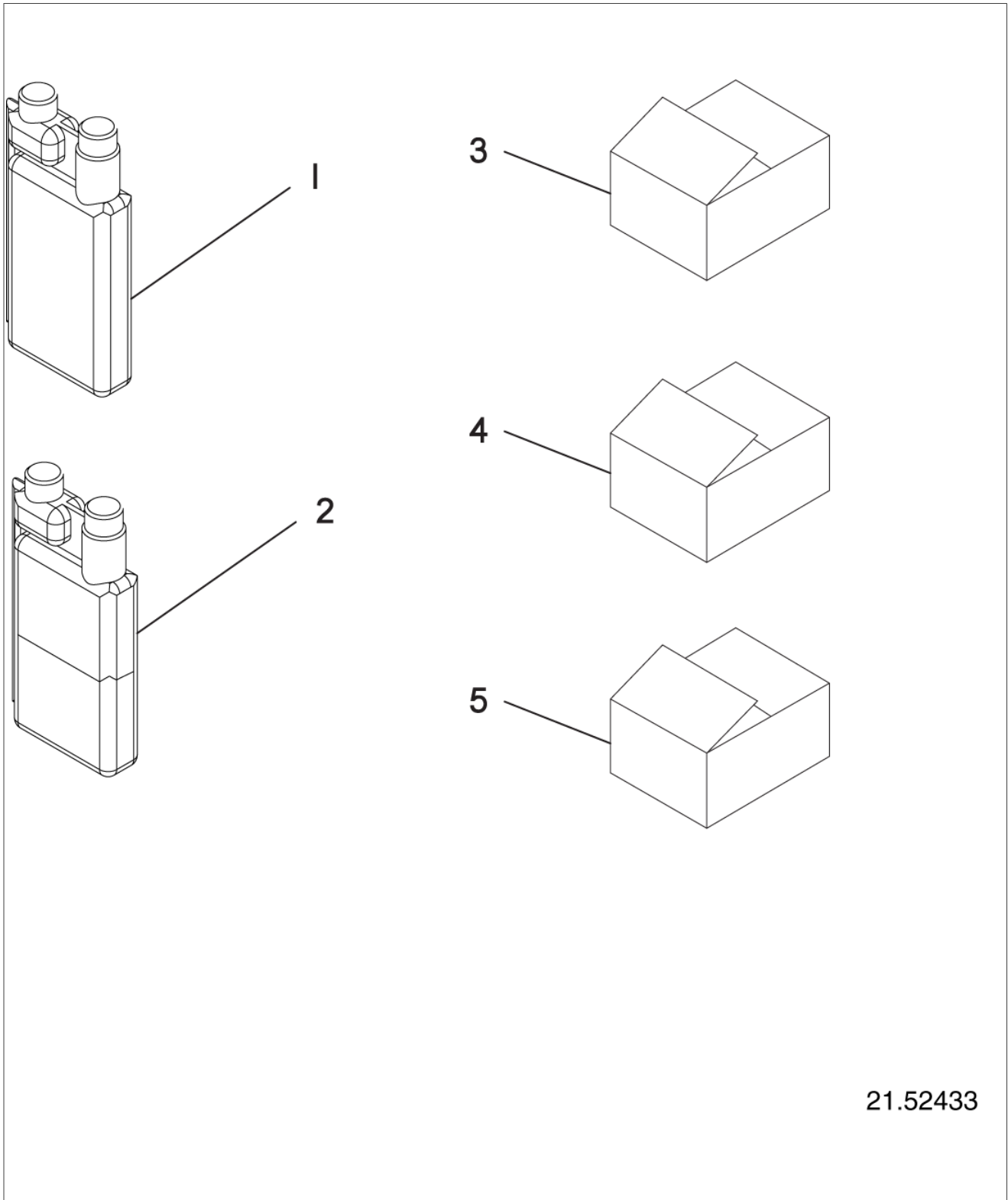


42.0700722

10.15 Manifold: Hydrostat

Item	Part No.	Quantity	Description
1	42.0702120	4	Plug: O-Ring Sae #6
2	42.0702121	1	Valve: Piloted
2a	42.0702144	1	Kit: Seal
3	42.0702122	2	Valve: Piloted 3 Way Spool
3a	42.0702144	2	Kit: Seal
4	42.0702123	1	Valve: Piloted 2 Pos 4 Way Spool
4a	42.0702145	1	Kit: Seal
5	42.0702124	2	Valve: Relief Po Balanced
5a	42.0702146	2	Kit: Seal
6	42.0702125	2	Valve: Low Side Shuttle
6a	42.0702147	2	Kit: Seal
7	42.0702126	2	Valve: Spool 3 Way
7a	42.0702148	2	Kit: Seal
8	42.0702127	1	Valve: Piloted 3 Way Spool
8a	42.0702149	1	Kit: Seal
9	42.0702128	2	Valve: Poppet 2 Way Open High
9a	42.0702150	2	Kit: Seal
10	42.0702129	2	Valve: Relief Direct Acting Poppet
10a	42.0702143	2	Kit: Seal
11	44.21279	4	Coil, -08 E-Coil W/ Zener
12	42.0700722	1	Manifold: Hydrostat Complete

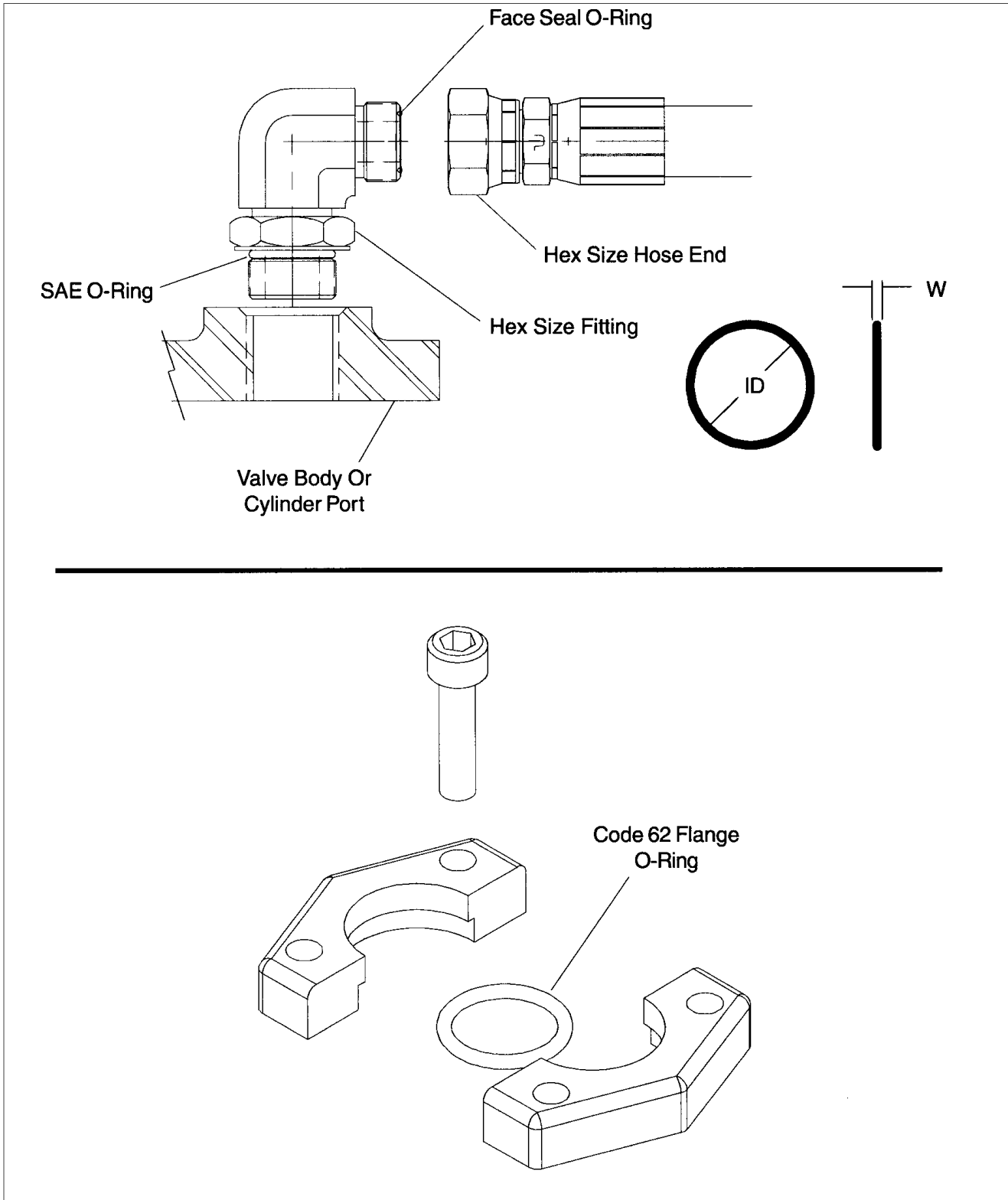
10.16 Hydraulic Oil Glo Dye & Kits



10.16 Hydraulic Oil Glo Dye & Kits

Item	Part No.	Quantity	Description
1	21.52433	1	Dye: Oil-Glo 44, 8 OZ.
2	21.52432	1	Dye: Oil-Glo 44, 4 OZ.
3	21.52434	1	Kit: Hydraulic Oil Dye, Optimax Jr.
4	21.52435	1	Kit: Hydraulic Oil Dye, Optimax
5	21.52436	1	Kit: Hydraulic Oil Dye, Opti-Lux

10.17 O-Ring Service Kit



10.17 O-Ring Service Kit

Item	Part No.	Quantity	Description
		1	SAE O-Ring
	21.00900	1	Port O-Ring (Mfg# 3-904) (Tube Fitting Size 4) (Tube OD 1/4) (I.D. 0.35) (W 0.07) (Hex Size Str Ftg 5/8)
	21.00901	1	Port O-Ring (Mfg# 3-906) (Tube Fitting Size 6) (Tube OD 3/8) (I.D. 0.41) (W 0.07) (Hex Size Str Ftg 3/4)
	21.00902	1	Port O-Ring (Mfg# 3-908) (Tube Fitting Size 8) (Tube OD 1/2) (I.D. 0.64) (W 0.09) (Hex Size Str Ftg 7/8)
	907508	1	Port O-Ring (Mfg# 3-910) (Tube Fitting Size 10) (Tube OD 5/8) (I.D. 0.76) (W 0.10) (Hex Size Str Ftg 1-1/16)
	21.00903	1	Port O-Ring (Mfg# 3-912) (Tube Fitting Size 12) (Tube OD 3/4) (I.D. 0.92) (W 0.12) (Hex Size Str Ftg 1-1/4)
	21.00904	1	Port O-Ring (Mfg# 3-916) (Tube Fitting Size 16) (Tube OD 1) (I.D. 1.17) (W 0.12) (Hex Size Str Ftg 1-1/2)
	21.00905	1	Port O-Ring (Mfg# 3-920) (Tube Fitting Size 20) (Tube OD 1-1/4) (I.D. 1.48) (W 0.12) (Hex Size Str Ftg 1-7/8)
	21.43734	1	Port O-Ring (Mfg# 3-924) (Tube Fitting Size 24) (Tube OD 1-1/2) (I.D. 1.75) (W 0.12) (Hex Size Str Ftg 1-7/8)
	21.43735	1	Port O-Ring (Mfg# 3-932) (Tube Fitting Size 32) (Tube OD 2) (I.D. 2.34) (W 0.12) (Hex Size Str Ftg 2-3/4)
		1	Face Seal O-Ring (ORFS)
	21.00906	1	ORFS Hose End (Mfg# 2-011) (Tube Fitting Size 4) (Tube OD 1/4) (I.D. 0.30) (W 0.07) (Hose Hex Size 11/16)
	21.00907	1	ORFS Hose End (Mfg# 2-012) (Tube Fitting Size 6) (Tube OD 3/8) (I.D. 0.36) (W 0.07) (Hose Hex Size 13/16)
	21.00908	1	ORFS Hose End (Mfg# 2-014) (Tube Fitting Size 8) (Tube OD 1/2) (I.D. 0.49) (W 0.07) (Hose Hex Size 15/16)
	908098	1	ORFS Hose End (Mfg# 2-016) (Tube Fitting Size 10) (Tube OD 5/8) (I.D. 0.61) (W 0.07) (Hose Hex Size 1-1/8)
	21.00909	1	ORFS Hose End (Mfg# 2-018) (Tube Fitting Size 12) (Tube OD 3/4) (I.D. 0.74) (W 0.07) (Hose Hex Size 1-3/8)
	21.00910	1	ORFS Hose End (Mfg# 2-021) (Tube Fitting Size 16) (Tube OD 1) (I.D. 0.93) (W 0.07) (Hose Hex Size 1-5/8)
	21.00911	1	ORFS Hose End (Mfg# 2-025) (Tube Fitting Size 20) (Tube OD 1-1/4) (I.D. 1.18) (W 0.07) (Hose Hex Size 1-7/8)
	21.43736	1	ORFS Hose End (Mfg# 2-029) (Tube Fitting Size 24) (Tube OD 1-1/2) (I.D. 1.49) (W 0.07) (Hose Hex Size 2-1/4)
		1	Code 61/62 Flange O-Ring
	21.00920	1	Hydrostat Port (Mfg# 711510-4) (Tube Fitting Size 16) (I.D. 1.296) (W 0.139)
	21.21199	1	Wheel Motor Port (Mfg# 711510-5) (Tube Fitting Size 12) (I.D. 0.984) (W 0.139)
	32.05526	1	(Mfg# 711510-3) (Tube Fitting Size 20) (I.D. 1.48) (W 0.139)
	32.05527	1	(Mfg# 711510-2) (Tube Fitting Size 24) (I.D. 1.85) (W 0.139)
	32.05528	1	(Mfg# 711510-1) (Tube Fitting Size 32) (I.D. 2.23) (W 0.139)
		1	A/C R134a O-Ring
	21.00061	1	#6

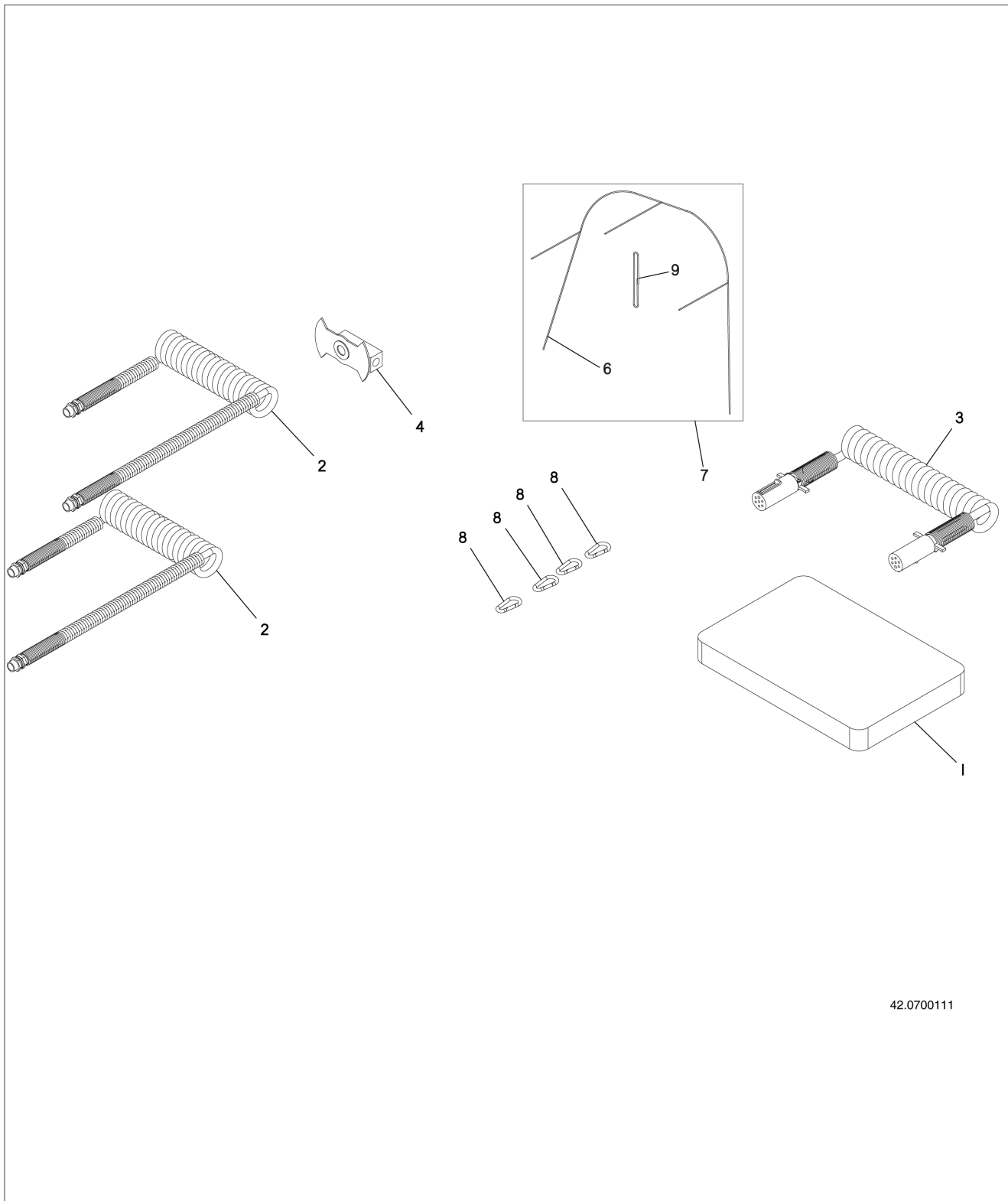
Section 10

10.17 O-Ring Service Kit

Item	Part No.	Quantity	Description
	21.00062	1	#8
	21.00063	1	#10

This Page Intentionally Left Blank

11.01 Asm: MX1012 Parts Package



42.0700111

11.01 Asm: MX1012 Parts Package

Item	Part No.	Quantity	Description
1	21.24842	1	Satchel, Literature
2	42.0801442	1	Aircoils: Basic Set 12 Ft
3	42.0801443	1	Powercoil: Light Duty 12 Ft
4	42.1501038	4	Coupler, Gladhand Midland
6	42.1560000	1	Bungee Cord, Tunnel
7	42.1560004	1	Kit - Bungee Cord
8	907949	4	Snap - Spring 1/4 in. Dia.
9	42.1560001	2	Bungee Cord, Bag Pan



Part Number Index

The Part Number Index is a numeric index of all part numbers included in this manual. The index shows what page(s) the part is used on.

Part Number	Page	Part Number	Page	Part Number	Page	Part Number	Page
01.73844	67	21.00906	189	21.22682	145	21.44441	181
05.73120	7	21.00907	189	21.22683	145	21.44443	181
07.08216	45	21.00908	189	21.22723	145	21.46522	143
07.08400	105	21.00909	189	21.22724	145	21.46534	51
07.09563	101	21.00910	189	21.22725	145	21.46658	139
07.11695	39, 73	21.00911	189	21.22726	145	21.46688	89
07.11698	47	21.00920	189	21.22738	121	21.46933	149
07.13739	47	21.00962	145	21.22943	73	21.47095	43
07.17210	97	21.00963	145	21.23380.1	43	21.47199.5	41
07.17764	57, 101	21.01002	145	21.23540	41	21.47256	51
07.17849	107	21.01012	145	21.23544	159	21.47257	51
07.17862	11, 15, 19, 23	21.01013	145	21.23912	149	21.47261	51
07.17911	43, 161	21.01014	145	21.23917	49	21.47391	51
07.17945	155	21.01015	145	21.24021	43	21.47520	149
07.17946	111, 159, 161, 169	21.09024	69, 71	21.24166	43	21.48228	43
07.17969	43, 152, 161	21.09025	69	21.24366ZJ	155	21.48295	43
09.70765	105	21.09026	69, 71	21.24571	49	21.51049	89
09.70791	117	21.20126	145	21.24601	53	21.51050	89
09.70941	97	21.20127	145	21.24842	193	21.51052	139
09.70970	115	21.20341	35	21.25450	71	21.51074	149
09.72003	7	21.20348	35	21.25524	181	21.51558	139
09.73504	9	21.20349	41	21.25526	181	21.51931.5	61
09.73604	169	21.20604ZJ	155, 159	21.30091	41	21.52119	149, 161
09.73803	119	21.20794	139	21.30210	151	21.52432	152, 187
09.74113	77	21.20801	143	21.30313	145	21.52433	187
09.74123	163	21.20802	143	21.30844	151	21.52434	187
09.74125	161	21.20803	149	21.31609	155	21.52435	187
09.74126	152, 161, 179	21.20848	151	21.31676	181	21.52436	187
09.74127	43, 155, 157, 159, 161	21.20849	151	21.40380	49	21.61838	143
09.74138	93	21.20850	151	21.40422	49	21.61887	149
09.74143	159, 161	21.20878	152	21.40450	49	21.62254	71
09.74145	151, 155	21.20879	152	21.40568	49	32.00698	75
09.74149	135, 155, 161, 163	21.20881	151	21.40569	49	32.00730	151
09.74155	43, 161	21.20917	141	21.40570	49	32.01480	81
11.77120	67	21.20949	97	21.40571	49	32.01481	81
11.77710	63	21.21112	151	21.40609	143	32.01482	81
11.77800	73, 151	21.21113	151	21.41055	45	32.01483	81
11.80528	81	21.21115	151	21.41068	53	32.01484	81
11.80529	81	21.21131	69, 71	21.41069	53	32.01485	81
11.80530	81	21.21199	189	21.41070	53	32.01486	81
11.80537	81	21.21262	43, 97	21.41071	53	32.01487	81
11.80538	81	21.21349	121	21.41074	53	32.01488	81
11.80539	75, 81	21.21592	73, 89	21.41654	41	32.01489	81
11.80540	81	21.21860	151	21.41655	41	32.01490	81
11.80553	73	21.21893	41	21.41656	41	32.01491	81
11.80555	47, 97	21.21894	35	21.41660	41	32.01492	81
12.10157.7	105	21.21899	35	21.41666	169	32.01493	81
12.10167	105	21.22264	151	21.41817	39, 73	32.01494	81
16.20178	71	21.22531	145	21.41837ZJ	159	32.01495	81
16.20179	71	21.22532	145	21.41845	41	32.01496	81
16.20181	71	21.22533	145	21.41895	151	32.01497	81
17.00750	57, 101	21.22534	145	21.42086	151	32.01498	81
17.00778	87	21.22535	145	21.42118.5	41	32.01603	75
21.00061	189	21.22536	145	21.42130.5	41	32.01604	177
21.00062	190	21.22537	145	21.42586	151	32.01607	93
21.00063	190	21.22538	145	21.42845.5	65	32.01921	43, 107, 152, 177
21.00167	37	21.22539	145	21.42895.5	65	32.01940	159
21.00265	81	21.22540	145	21.42896.5	65	32.01941	43, 151, 155, 159, 161, 177, 179
21.00321	41, 161	21.22541	145	21.43032	49	32.01945	41, 43, 151, 179
21.00333	155, 159	21.22542	145	21.43288	181	32.01948	11, 15, 19, 23, 43, 152
21.00340	39	21.22543	145	21.43292	181	32.01951	177
21.00354	41, 151, 155, 161	21.22544	145	21.43296	181	32.01953	177
21.00900	189	21.22545	145	21.43303	151	32.01955	41, 151
21.00901	189	21.22546	145	21.43513	151	32.02002	177
21.00902	189	21.22547	145	21.43539ZJ	151	32.02033	155
21.00903	189	21.22548	145	21.43645	139	32.02072	157
21.00904	189	21.22549	145	21.43646	139	32.02089	97, 157, 161
21.00905	189	21.22550	145	21.43734	189	32.02101	119, 135, 155
		21.22551	145	21.43735	189		
		21.22552	145	21.43736	189		
		21.22553	145	21.44042	43		
		21.22579	145				



Part Number Index (continued)

Part Number	Page	Part Number	Page	Part Number	Page	Part Number	Page
32.02293	73	42.0700331	133	42.0700891	59	42.0701786	177
32.02370	81	42.0700332	133	42.0700894	65	42.0701788	27, 29
32.02512	157	42.0700341	115	42.0700896	65	42.0701792	163
32.02638	152	42.0700358.5	113	42.0700897.5	61	42.0701796	179
32.02656	41, 152, 155, 161	42.0700372.8	125	42.0700898.5	61	42.0701813	89
32.02943	71	42.0700406.5	137	42.0700902	65	42.0701822	89
32.02949	81	42.0700417.8	125	42.0700903	65	42.0701824	47
32.03049	43	42.0700423.5	137	42.0700904	65	42.0701825	117
32.03057	163	42.0700425	123, 125	42.0700905	65	42.0701832	155
32.03077	43	42.0700426	123, 125	42.0700906	65	42.0701833	155
32.03090	152, 177	42.0700445.8	7	42.0700907	65	42.0701835.5	75
32.03190	41	42.0700461.5	117	42.0700909	65	42.0701837	59
32.03262	41	42.0700468	113	42.0700910	65	42.0701842	65
32.03263	41, 177	42.0700471.5	113	42.0700923.5	67	42.0701843	45
32.03307	81	42.0700472	117	42.0700932.5	67	42.0701846.5	63
32.03465	107, 171	42.0700482.5	119	42.0700949	59	42.0701850.5	63
32.03776	89	42.0700484	119	42.0700950	59	42.0701869	9
32.03793	157	42.0700496	111	42.0700954.5	59	42.0701918.5	121
32.03794	155	42.0700497	111	42.0700956.5	59	42.0701921.8	89
32.04093	151	42.0700498	111	42.0700967	73	42.0701922	89
32.04374	81	42.0700499	117	42.0700988	119	42.0701923	89
32.04462	181	42.0700500.5	169	42.0700990	119	42.0701924	73
32.04552	181	42.0700532	7	42.0700991.8	149	42.0701925	91
32.04553	181	42.0700540.8	123, 125	42.0700993	9	42.0701927	169
32.04900	81	42.0700545	109	42.0701001.8	73	42.0701928.8	55
32.05526	163, 189	42.0700546	123, 125	42.0701006.5	63	42.0701953.8	55
32.05527	189	42.0700547.5	169	42.0701009	67	42.0701954.8	55
32.05528	189	42.0700548.5	169	42.0701012	87	42.0701955	87
32.05562	82	42.0700553.8	87	42.0701016.5	137	42.0701956	87
32.60001	97	42.0700587.8	91	42.0701020	73	42.0701960.8	89
32.60002	75	42.0700633.4	85	42.0701118.5	109	42.0701961	89
32.60003	95	42.0700638.8	87	42.0701121.5	109	42.0701962	73, 143
32.60016	81	42.0700639	85	42.0701123	11, 15, 19, 23	42.0701965	31
32.60017	81	42.0700658.5	121	42.0701200	115	42.0701967	73
32.60018	81	42.0700664.5	121	42.0701415	111	42.0701970	45
32.60254	73	42.0700671.5	121	42.0701420.5	111	42.0701971	149
32.60356	93	42.0700674	121	42.0701451.5	169	42.0701973.5	149
32.60378	89	42.0700676.5	121	42.0701452.5	169	42.0701976.5	149
32.60381	75	42.0700679	121	42.0701453	85	42.0701986	7
32.60383	79	42.0700687	121	42.0701454.8	85	42.0701989	61
32.60397	89	42.0700692.8	23	42.0701460.8	177	42.0701990	61
32.60628	151, 177	42.0700693.8	19	42.0701461.5	37	42.0701994.8	55
32.60720	45	42.0700695.8	15	42.0701500	131	42.0701996.8	55
32.60723	75	42.0700696.8	11	42.0701508	131	42.0702001	149
32.60724	75, 81	42.0700703	51	42.0701510.5	119	42.0702002	149
32.60725	75, 81	42.0700704	49	42.0701516	133	42.0702004	149
32.60732	81	42.0700712.5	35	42.0701527	133	42.0702005	143
32.60735	81	42.0700721	161, 182	42.0701529	115	42.0702006	143
32.60753	143	42.0700722	159, 185	42.0701532	163	42.0702007	143
32.60755	75	42.0700741	45	42.0701536	33	42.0702008	143
32.60802	81	42.0700742	45	42.0701537	33	42.0702011	165
32.60861	75	42.0700745.5	35	42.0701543.8	57	42.0702012	165
32.60886	145	42.0700761	63	42.0701550.5	67	42.0702013	165
32.60887	146	42.0700762	63	42.0701553.8	7	42.0702014	165
32.61053	95	42.0700763	63	42.0701554.8	7	42.0702015	165
32.61157	75	42.0700768	59	42.0701556	155	42.0702016	165
32.61631	73	42.0700780	59	42.0701563.5	143	42.0702017	165
32.61736	73	42.0700781	59	42.0701564.5	143	42.0702018	165
32.61740	73	42.0700782	59	42.0701568	71	42.0702019	165
32.61808	151	42.0700783	63	42.0701570	69, 71	42.0702020	165
32.61848	73	42.0700797	9	42.0701571	71	42.0702021	165
32.61849	73	42.0700806.5	111	42.0701573	71	42.0702022	165
32.61943	81	42.0700810	109	42.0701671	77	42.0702023	165
32.62090	41	42.0700811	121	42.0701672	89	42.0702024	165
321289B1	59, 61	42.0700815	163	42.0701675	55	42.0702025	165
336977B1	137	42.0700825	9	42.0701677	73	42.0702026	165
340077B1	137	42.0700829.5	157	42.0701679	85	42.0702027	165
40.00446	177	42.0700830.5	157	42.0701689	43	42.0702028	165
40.00472	69, 71	42.0700850	121	42.0701699.5	43	42.0702029	165
42.0000686	171	42.0700853.8	11, 15, 19, 23	42.0701779	175	42.0702030	165
42.0700309	155	42.0700872	7	42.0701780	175	42.0702031	165
42.0700320	133	42.0700875	121	42.0701781	175	42.0702032	165
42.0700321	133	42.0700884	131	42.0701782	175	42.0702033	165



Part Number Index (continued)

Part Number	Page	Part Number	Page	Part Number	Page	Part Number	Page
42.0702034	165	42.0702128	185	42.0800849	11, 15, 19, 23	42.1080000	95
42.0702035	165	42.0702129	185	42.0800861	9	42.1080004	129
42.0702036	165	42.0702130.5	119	42.0800934	71	42.1080024	95
42.0702037	165	42.0702131	59	42.0800935	69, 71	42.1080048	107
42.0702038	165	42.0702134	59	42.0800936	71	42.1080054	129
42.0702039	165	42.0702135	91	42.0800938	71	42.1080087.8	107
42.0702040	165	42.0702137.5	137	42.0800945	137	42.1080137	95
42.0702041	165	42.0702138.5	137	42.0801026	77	42.1080139	95
42.0702042	165	42.0702139	181	42.0801027	77	42.1080182	95
42.0702043	165	42.0702140	181	42.0801028	77	42.1080206	129
42.0702044	165	42.0702141	181	42.0801030.5	139	42.1080218.8	97
42.0702045	165	42.0702142	181	42.0801031.5	139	42.1080219	97
42.0702046	165	42.0702143	181, 185	42.0801064	11, 19	42.1080220	97
42.0702047	165	42.0702144	185	42.0801066	93	42.1080221	103
42.0702048	165	42.0702145	185	42.0801142	69, 71	42.1080222	103
42.0702049	165	42.0702146	185	42.0801186	99	42.1110018	9
42.0702050	165	42.0702147	185	42.0801187	99	42.1120007	129
42.0702051	165	42.0702148	185	42.0801188	99	42.1120046	9
42.0702052	166	42.0702149	185	42.0801189	99	42.1120058	135
42.0702053	166	42.0702150	185	42.0801190	99	42.1120074	137
42.0702054	166	42.0702151	65	42.0801191	99	42.1120496	137
42.0702055	166	42.0702152.5	75	42.0801192	99	42.1201000	11, 15, 19, 23
42.0702056	166	42.0702170	181	42.0801193	99	42.1201012.8	11, 15, 19, 23
42.0702057	166	42.0702171	31	42.0801194	99	42.1201018.5	11, 15, 19, 23
42.0702058	166	42.0702172	155	42.0801195	99	42.1201023	11, 15, 19, 23
42.0702059	166	42.0702173	157	42.0801196	99	42.1201203.8	11, 15, 19, 23
42.0702060	31	42.0702174	157	42.0801197	99	42.1202050	7
42.0702061	31	42.0702175	157	42.0801290	47	42.1202051	7
42.0702062	31	42.0702178.8	123	42.0801303	139	42.1206076	117
42.0702063	31	42.0702179.8	123	42.0801402	97	42.1212016	173
42.0702064	31	42.0702200	59	42.0801442	193	42.1500238	27, 29, 107
42.0702065	31	42.0702201	59	42.0801443	193	42.1500598	95
42.0702066	31	42.0702212.5	43	42.0802125.8	7	42.1500940	95
42.0702067	31	42.0702217.8	149	42.0802291	135, 137	42.1501038	77, 193
42.0702073	143	42.0702219	71	42.0802304	117	42.1501077	139
42.0702074	143	42.0702221	9	42.0802330	27, 29	42.1501178	11, 12, 15, 16, 19, 20, 23, 24
42.0702075	143	42.0702222.5	87	42.0802333	107	42.1501180.8	11, 15, 19, 23
42.0702076	143	42.0702224	89	42.0900460	141	42.1501181	11, 15, 19, 23
42.0702077	143	42.0702226	121	42.0900461	141	42.1501184.8	15, 23
42.0702078	7	42.0702227	37	42.0900469	139	42.1501185	11, 15, 19, 23
42.0702079.5	149	42.0702231	179	42.0900820	71	42.1501189	11, 15, 19, 23
42.0702080	89	42.0702232	163	42.0900821	71	42.1501190	11, 15, 19, 23
42.0702081	89	42.0702233.5	161	42.0900822	69	42.1501192	75
42.0702085	151	42.0800083	95	42.0901073	135	42.1501204	139
42.0702086.5	149	42.0800084	95	42.0901227	137	42.1501514	89
42.0702087	137	42.0800085	95	42.0901229	135, 137	42.1501515	89
42.0702088.8	27, 29	42.0800135	149	42.0901232.5	135	42.1501528	33
42.0702097.5	35	42.0800236	97	42.0901357	137	42.1501761	69
42.0702103	181	42.0800260	95	42.0901408	121	42.1501816	139
42.0702104	181	42.0800308	101	42.0901539	95	42.1502137	11, 15, 19, 23, 27
42.0702105	181	42.0800310	101	42.0901918	141	42.1510031.8	95
42.0702106	181	42.0800311	101	42.0901919	141	42.1510037.8	135, 137
42.0702107	181	42.0800323	95	42.0901920	141	42.1510056	57
42.0702108	181	42.0800327	129	42.0901921	141	42.1510251.8	95
42.0702109	181	42.0800329	101	42.0901922	141	42.1520104	97
42.0702110	181	42.0800332	101	42.0902026	163	42.1520672	137
42.0702111	181	42.0800336	101	42.0902027	163	42.1520794.8	97
42.0702112	181	42.0800339	127	42.0902031	177	42.1520795	97
42.0702113	181	42.0800351	103	42.0902130	43	42.1530054	71
42.0702114	181	42.0800385	129	42.1010057	15	42.1540321	11, 15, 19, 23, 163
42.0702115	181	42.0800392	129	42.1010057.8	11, 19, 23	42.1540347	41
42.0702116	181	42.0800393	95	42.1010058	11, 15, 19, 23	42.1540355	11, 15, 19, 23
42.0702117	181	42.0800396	95	42.1010088.8	27, 29	42.1540407	89, 93
42.0702118	181	42.0800424.5	135	42.1020009	135	42.1540426	37, 39
42.0702119	181	42.0800458	59	42.1020035	135	42.1540437	39
42.0702120	181, 185	42.0800562	149	42.1020064	137	42.1540458	75
42.0702121	185	42.0800571	7	42.1020072	137	42.1540562	43
42.0702122	185	42.0800603	139	42.1020075	137	42.1540564	151
42.0702123	185	42.0800697	7	42.1030084	117	42.1540591	179
42.0702124	185	42.0800715	171	42.1030090	121	42.1540621	152, 161
42.0702125	185	42.0800722	171	42.1030095.5	117	42.1540679	27, 29
42.0702126	185	42.0800778	97	42.1060156.5	121		
42.0702127	185	42.0800836	11, 15, 19, 23	42.1060214	121		



Part Number Index (continued)

Part Number	Page	Part Number	Page	Part Number	Page	Part Number	Page
42.1541246	177	900536	111	904246	57, 101	907418	151
42.1541416	82	900538	27, 29	904253	137	907425	37, 41, 87
42.1541541	75	900655	107	904324	35, 43, 85, 93,	907427	27, 29, 107, 169
42.1541754	177	900844	97		123, 125	907428	149
42.1541773	97	900920	97	904336	67	907453	41
42.1541795	181	900971	9	904464	35, 43, 85	907454	95
42.1541901	135	901105	7, 31, 35, 41, 43,	904520	59, 61	907455	129
42.1541920	43		49, 55, 59, 63,	904591	59, 65	907457	129, 149, 151
42.1541926.5	97		65, 67, 73, 75,	904630	35	907461	149
42.1541981	177		87, 95, 97, 101,	904744	133	907462	129
42.1542091	27, 29, 107		119, 121, 123,	904787	111	907465	41, 47, 51, 129
42.1550102	95		125, 137, 139,	904814	73, 95, 127	907466	41, 43, 101
42.1550151	11, 15, 19, 23		149	905050	95	907467	87
42.1550172	7	901181	105	905383	97	907488	127
42.1550360	11, 15, 19, 23	901182	105	905448	137	907494	59, 89, 149
42.1550380	11, 15, 19, 23	901264	135	905501	95, 137	907508	189
42.1550381	11, 15, 19, 23	901341	75	905786	105	907510	69, 71
42.1550411	11, 15, 19, 23	901619	97	906349	137	907524	121
42.1560000	193	901633	11, 15, 19, 23	906397	7	907530	89
42.1560001	193	901763	95, 151	906400	35, 41, 55, 75,	907532	27, 29
42.1560004	193	901892	105		85, 95, 103, 119,	907533	129
44.02474	51	901937	35, 43, 75, 85,		121, 123, 125	907545	85
44.02477	51		113, 121, 133,	906401	35, 41, 43, 73,	907557	97
44.03013	37		161, 169		85, 95, 109, 133,	907563	41, 47
44.03029	93	902050	97, 133, 135		135, 137	907568	121
44.04170	163	902300	7, 37, 63, 97,	906402	35, 103, 123, 125	907588	73
44.04179	47		119, 137	906483	7, 35, 43, 93,	907589	73
44.21279	185	902364	121		123, 125, 127,	907594	35, 95, 127, 157
44.21532	47	902367	7, 27, 29, 55, 73,		129, 177	907600	37, 95
44.21691	47		75, 87, 101, 103,	906507	11, 15, 19, 23	907601	43
44.21692	47		123, 125, 139,	906542	111	907615	87
44.21695	47		149	906786	133	907617	7
44.21696	47	902408	105	906811	97	907618	65
44.22205	89	902410	105	907063	177	907621	59, 65, 149
44.25781	7	902532	177	907107	7	907626	129
46.04709	89, 97	902603	177	907146	75, 97	907629	117
46.05288	157	902636	95	907168	159, 161	907659	119
46.05289	157	902831	121	907171	149	907686	163
65.10122	105	902832	177	907183	111	907691	143
65.10125	105	902859	9, 93	907203	159	907695	157
900136	47	902893	105	907219	71	907700	35, 119
900358	11, 15, 19, 23	902894	105	907220	69, 71	907702	59
900360	11, 15, 19, 23	902903	101	907225	71	907726	7
900361	97	902927	169	907234	149	907745	31
900365	9, 85	902928	121	907241	61	907758	129
900366	7, 49, 65, 67, 73,	902931	113	907277	47	907759	119
	87, 101, 119,	903033	139, 149	907298	12, 16, 20, 24,	907765	35
	137, 139, 143,	903162	121, 131		157	907768	67
	149	903168	123, 125	907322	129, 149	907779	12, 16, 20, 24,
900369	109	903300	85, 109		43		59, 63, 129
900371	11, 15, 19, 23	903306	35, 121, 127,	907325	155	907781	97
900372	35, 97		155, 161	907334	51	907800	95
900480	143	903308	111	907337	139	907801	43, 133, 157
900493	149	903518	43, 73, 95	907348	55, 79, 143	907823	7, 177
900494	7, 9, 121, 129,	903563	163	907349	151	907829	31, 49, 59, 65, 73
	177	903564	95, 163	907376	55, 65, 79, 87,	907835	163
900495	121, 127	903693	55, 129		143, 151	907844	12, 16, 20, 24
900497	43, 73, 109, 127,	903695	43	907380	37, 87, 119, 143,	907867	115
	155	903699	121		149, 151	907869	95, 119
900498	35, 121, 135	903701	59, 61	907389	129, 149	907926	75
900499	35, 97, 137	903702	59, 61	907390	55, 61, 65, 79,	907949	193
900503	9, 43, 85, 95, 129	903708	95, 163		87, 129, 143	907955	45
900504	27, 29, 37, 49,	903829	127, 129	907391	37, 41, 47, 51,	907961	12, 16, 20, 24
	67, 73, 97, 121,	903832	135		87, 143, 149	908008	177
	137	903848	35, 41, 95, 119	907392	41, 43, 47, 101,	908009	115
900506	11, 15, 19, 23,	903849	107		151	908079	39, 73
	41, 75, 137, 155,	903854	41	907393	121	908080	149
	157, 161	904007	7	907395	47, 151	908082	82
900508	11, 15, 19, 23,	904092	7, 139, 149	907399	43, 97, 109, 113,	908086	151
	97, 107	904172	85		121, 127, 169	908087	159
900509	101	904218	103	907411	151	908098	189
900529	11, 15, 19, 23,	904220	35, 123, 125	907412	151	908144	12, 16, 20, 24,
	109	904244	113	907413	65		157



Part Number Index (continued)

Part Number	Page
908152	7
908156	129
908157	7
908160	59
908163	97
908164	97
908204	151
908210	12, 16, 20, 24
908273	89, 121
908279	85, 95
908281	177
908333	133
908403	49
908404	49
908406	49
908439	51
908444	57
908466	75
908467	75, 89
908468	79, 89
908469	77, 89, 93
908470	75
908471	75
908472	89
908480	12, 16, 20, 24
908489	77
908519	131
908520	163
908521	131
908522	163
908523	131
908526	75, 89, 93
908527	93
908530	89
908543	113
908547	12, 16, 20, 24
908550	67
908560	7
908570	47
908576	43
908577	43
908622	137
908625	135, 137
908627	12, 16, 20, 24
908656	49
908685	127, 135, 137
NSS	7, 99, 177



Part Description Index

The Part Description Index is an alphabetical index of all part descriptions included in this manual. The index shows what page(s) the part is used on.

#10.....190
#6.....189
#8.....190

#

(
(Mfg# 711510-1) (Tube Fitting Size 32) (I.D. 2.23) (W 0.139).....189
(Mfg# 711510-2) (Tube Fitting Size 24) (I.D. 1.85) (W 0.139).....189
(Mfg# 711510-3) (Tube Fitting Size 20) (I.D. 1.48) (W 0.139).....189

1

1/8 in. NPT x 1/4 in. Compression Fitting.....81

2

2 in. Dia Shaft - 1/2 in. Keyway.....99

7

7-Way Round Light Cnctr.....139

A

A/C Condenser Section w/ Dryer.....41
A/C R134a O-Ring.....189
Adapter, -10 ORB x 1/2 M JIC.....135
Adapter, -12 MJIC x -10 ORB.....97
Adapter, -12 ORB x 3/4 M JIC.....157
Adapter, 1/2 F JIC x 3/8 M JIC.....163
Adapter, 1/2 M JIC To 1/2 MPT.....11, 15, 19, 23
Adapter, 3/4 F JIC To 1/2 M JIC.....11, 15, 19, 23
Adapter, Black Bruin 12 F 4 OMXS.....11, 15, 19, 23
Adapter, Black Bruin 12f4omxs.....163
Adapter, Black Bruin 8 F 4 OMXS.....11, 15, 19, 23
Adapter: #10mo x #6fp.....39
Adapter: #8mo x #6fp.....39
Adapter: -08 ORB x -06 FJIC.....27, 29
Adapter: -08 ORB x FJIC Swvl.....43
Adapter: -10 M ORB x -08 F ORB.....151
Adapter: -12 M ORB 1/2 MJIC.....159
Adapter: -16 ORB x 1 MJIC.....41, 152, 155, 161
Adapter: -6 JIC To -6 Bsp.....163
Adapter: 1/2 MJIC x -10 ORB.....155
Adapter: 1/2 Mjic x -10 ORB.....119
Adapter: 3/4 In. FJIC 1/2 In. MJIC.....43, 152
Adapter: 3/4 MJIC To -10 ORB.....157, 161
Adapter: 3/4 MJIC To -16 ORB.....41, 151
Adapter: 3/8 JIC x 1/2 ORB.....107
Adapter: Breather Filter.....151
Adjuster, Slack.....11, 15, 19, 23
Adjuster: Feedtable Roller.....95
Air Cleaner.....49
Air Fitting, 1/4 in. MPT x 3/8 in. Tube.....81
Air Vent 3/8 in. NPT (Optional).....99
Aircoils: Basic Set 12 Ft.....193

Alternator: 24SI 160 Amp.....53
Anchor Block, Feedtable Mounting Block..107
Anchor Brkt.....61
Anchor: Compaction 30.....117
Armrest: Op Station Seat.....87
Asm Kit: Wireless Winch Control.....121
Asm: Bearing.....121
Asm: Strap - Rect Fuel Tank.....73
Assembly: Cylinder Block.....165
Assembly: Piston.....165
Assembly: Rear Cover.....165
Assembly: Shaft.....165

B

Backup Alarm W/ Connector.....149
Band, Air Cleaner.....49
Bar: Rear Lights.....143
Bar: Stripper Section.....115
Battery, 925 CCA.....143
Bearing.....165
Bearing - 1-3/4 Cam Follower.....57
Bearing Cone (Inner).....99
Bearing Cone (Outer).....99
Bearing Cone, Inner.....105
Bearing Cone, Outer.....105
Bearing Cup (Inner).....99
Bearing Cup (Outer).....99
Bearing Cup, Inner.....105
Bearing Cup, Outer.....105
Bearing: 2 3/16 Takeup.....95
Bearing: 2-3/16 4-Bolt Flange.....95, 135, 137
Bearing: 2-3/16 4-Bolt Piloted.....95
Bearing: Ball (Not Shown).....31
Bearing: Tapered 3.5.....121
Beater: Upper Wldmnt.....135
Belt: 108-1/2 x 242 Oal Cont Ls.....95
Bent Bolt Clamp 5 in.....51
Bolt - Anchor Fair Lead 1 in.....117
Bolt 3/4-Unc x 8 Gr5.....12, 16, 20, 24
Bolt, Elevator 5/16-18 x 1-1/4 in. Yellow Zinc.....7
Bolt, Hex, 3/8-16 x 1-1/4 in. Gr 5.....103
Bolt, Hex, 5/8 in. x 4 in. Gr 5.....103
Bolt: Bearing.....121
Bolt: Btnhd #10-24 x 1/2 Stainless Steel.....59
Bolt: Btnhd #10-24 x 3/4 Stainless Steel.....65
Bolt: Btnhd #10-24 x 5/8 Stainless Steel.....59
Bolt: Btnhd 3/8-16 x 1 In. Stainless Steel.....87
Bolt: Btnhd 5/16-18 x 1 Stainless Steel.....87
Bolt: Car G5 1/2 x 2 In. Ywzc.....133
Bolt: Car G5 3/8 x 1-1/4 In. Lngnk.....55, 129
Bolt: Car Stainless Steel 3/8-16 x 2-1/4.....51
Bolt: Car Stainless Steel 5/16-18 x 1 In.....95
Bolt: Car Stainless Steel 5/16-18 x 3/4 In.....65
Bolt: Carr G5, 7/8-9 x 2.75 In.....115
Bolt: Gr 8 1/2-13 x 2 Hhd Yellow Zinc.....137
Bolt: Hex 1/2-13 x 5-1/4 Gr 8 Yellow Zinc.....135, 137
Bolt: Hex G10.9 M20x1.5x120 Yellow Zinc.....163
Bolt: Hex G10.9 M22x1.5x90 Yellow Zinc.....131
Bolt: Hhd G5 1/2 x 1-3/4 In.....43, 73, 95

Bolt: Hhd G5 1/2 x 2 In.....97, 135
Bolt: Hhd G5 1/2 x 2-1/2 In.....75
Bolt: Hhd G5 1/2 x 2-1/4 In.....85
Bolt: Hhd G5 1/2 x 3-1/4.....41
Bolt: Hhd G5 1/2-13 x 1-1/2 In.....127, 155, 161
Bolt: Hhd G5 3/8 x 1 In. Yellow Zinc.....97, 137
Bolt: Hhd G5 3/8 x 1-1/2 Yellow Zinc.....41, 95
Bolt: Hhd G5 3/8x1-1/4 In.....7, 29, 55, 73, 75, 87, 139, 149
Bolt: Hhd G5 5/16 x 1 In. Yellow Zinc.....9, 93
Bolt: Hhd G5 5/16 x 1-1/4 Yellow Zinc.....43, 85
Bolt: Hhd G5 5/16 x 2-1/2 In. Yellow Zinc.....177
Bolt: Hhd G5 5/16 x 3 In.....177
Bolt: Hhd G5 5/16-18 x 1-3/4.....127, 129
Bolt: Hhd G5 5/16-18 x 2 In.....177
Bolt: Hhd G5 5/16-18 x 3-3/4.....177
Bolt: Hhd G5 5/16-18 x 4-1/4 In.....177
Bolt: Hhd G5 5/8 x 1-1/2 In. Yellow Zinc.....97
Bolt: Hhd G5 5/8 x 2 In.....137
Bolt: Hhd G5 5/8 x 2-1/2 Yellow Zinc.....135
Bolt: Hhd G5 5/8 x 5-1/2 In.....135
Bolt: Hhd G5 5/8-11 x 2-1/4 In.....137
Bolt: Hhd G8 1/2-13 x 1-1/2 Yellow Zinc.....43
Bolt: Hhd G8 5/8 x 2 In.....127
Bolt: Hhd G8 5/8-18 x 2.....73
Bolt: Hhd Gr5 1/4-20 x 3-1/4 Yellow Zinc...177
Bolt: Hhd Gr8 3/8-16 x 1 Yellow Zinc.....59, 65, 73
Bolt: Hhd SS 3/8-16 x 3.....85
Bolt: Hhd Stainless Steel 1/2-13 x 1-1/4.....41
Bolt: Hhd Stainless Steel 1/2-13 x 3-1/2 In.....41
Bolt: Hhd Stainless Steel 1/4-20 x 1.....129, 149
Bolt: Hhd Stainless Steel 1/4-20 x 1-3/4 In.....129
Bolt: Hhd Stainless Steel 3/8-16 x 1 In.....47
Bolt: Hhd Stainless Steel 3/8-16 x 1-1/2.....151
Bolt: Hhd Stainless Steel 3/8-16 x 1-1/4.....41, 87
Bolt: Hhd Stainless Steel 5/16-18 x 1.....55
Bolt: Hhd Stainless Steel 5/16-18 x 1 Wshr Hd.....129
Bolt: Hhd Stainless Steel 5/16-18 x 1-1/4 In.....129, 151
Bolt: Hub 9/16-18 Nf x 2 G.....95
Boom: Wdmt.....121
Brace: Tank Support.....73
Bracket - Latch Anchor.....59
Bracket, CE Signal Lights.....139
Bracket, Rad. Side Mount.....41
Bracket, S Cam Shaft - Wheel Brake.....11, 15, 19, 23
Bracket: Air Dryer.....75
Bracket: Air Tank Mount.....75
Bracket: Armrest.....91
Bracket: Cable Shoe.....119
Bracket: Chain Tensioner Spring.....137
Bracket: Component Mount CE.....149
Bracket: Component Mount EE.....149
Bracket: Cover.....65



Part Description Index (continued)

Bracket: Door Support.....65
Bracket: Engine Roof Support.....63
Bracket: Fuel Filter.....35
Bracket: Harness Mount.....161
Bracket: Header LH Door Latch.....65
Bracket: Header RH Door Latch.....65
Bracket: Hood.....59, 65
Bracket: P-Clamp Mount.....119
Bracket: Potentiometer Mount CE.....149
Bracket: Potentiometer Mount EE.....149
Bracket: Skirting (small).....129
Bracket: Smv Sign.....143
Bracket: Support.....65, 73
Bracket: Winch.....121
Brake Shoe, Modified.....11, 15, 19, 23
Brake, Comb Spring 30/30 (mod).....11, 19
Breather Plug Rams(94) 1/4 in. MPT.....89
Bulb 1156.....141
Bulb 1157.....141
Bulb: Replacement.....139
Bumper: Feedtable.....127
Bungee Cord, Bag Pan.....193
Bungee Cord, Tunnel.....193
Bungee: 10 Rubber.....129
Burn: Wshr Ft Planet Shaft Esk.....97
Bushing (Included with Item 3).....11, 15, 19, 23
Bushing, 1/2 x 3/8 Brass.....93
Bushing, Brake Shoe Pin.....11, 15, 19, 23
Bushing, Cam.....11, 15, 19, 23
Bushing, Steering Tie Rod.....27
Bushing: 1/4 x 1/2 NPT Steel.....75
Bushing: 1/4 x 3/8 NPT Steel.....97
Bushing: Sprkt Innr (short).....97
Bushing: Sprkt Outr (long).....97
Bushing: Stainless Steel 3/4 x 1/2 In.....75
Buzzer, Warning.....89

C

Cable-3/32 W/ Yellow Vinyl Sheath (Order Per Foot).....67
Cable: Anchor Winch.....117
Cable: Battery (+) Mx1012.....143
Cable: Battery (-) Mx1012.....143
Cable: Cradle.....109
Cam Roller.....165
Cam, S.....11, 15, 19, 23
Can, Air.....15, 23
Cap, Deutsch Plug.....145
Cap, Deutsch Receptacle.....145
Cap, Fuel 3 in. Vented.....73
Cap, Hub.....105
Cap, Overflow Bottle.....47
Cap, Radiator.....41
Cap: Fuel/oil Tank.....151
Cap: Power Outlet.....89
Cap: Radiator.....47
Cap: Rotor Tine.....131
CapScrew, Hex 7/16-20 Gr 8.....99
Carblt - 3/8-16 x 1 1/2 in.....67
Carblt - 3/8-16 x 1 in.....143
Carblt - Stainless Steel 3/8-16 x 1 in.....51
Carblt - Stainless Steel 3/8-16 x 11 in.....143
Carblt 1/2 Unc x 1 1/2 Gr 5, Sht Nck.....133
Carblt G5 5/16-18 x 1.25 in.....123, 125
Carblt, 5/16-18 x 1-1/2 Stainless Steel.....61

Carblt: 1/2 x 1 1/4 Gr 5.....43
Carrier Assembly.....99
Carrier Thrust Washer.....99
Cartridge - Pressure Compensator.....181
Chain: Rlr #100h Super Rvt Ust 50p.....97
Chain: Rlr #100h Super Rvt Ust 60p.....137
Channel: Lower Screen.....65
Charge Air Cooler Section.....41
Check Valve, 1/4 in. Air.....81
Clamp - Worm .312 in. - .875 in. Mini.....47
Clamp, .750 in.-1.500 in. Hose.....47
Clamp, 2 in. P.....119
Clamp, 3.56 in. Air Intake.....45
Clamp, 4 in. Muffler.....51
Clamp, T-Bolt 4.5 in. HD w/Floating Bridge.....49
Clamp, T-Bolt 5.5 in. HD w/Floating Bridge.....49
Clamp, T-Bolt 7.5 in. HD w/Floating Bridge.....49
Clamp, Tc250 T-Bolt.....45
Clamp: Insert 3/8 Twin.....177
Clamp: Insert Dbl 1t.....177
Clamp: Insert Sgl 1-1/4p.....177
Clamp: T-Bolt 7.25 in.....49
Clamp: Twin .625 Id Smooth.....177
Clamp: Vinyl 1.50 In. Dia.....39
Clamp: Worm .218-.625 In. Mini.....97
Clamp: Worm .375-.875 In. Dia.....39, 73
Cleat Weldment, Cab End.....103
Cleat Weldment, Engine End.....103
Clevis, Air Can.....11, 15, 19, 23
Code 61/62 Flange O-Ring.....189
Coil, -08 E-Coil W/ Zener.....185
Coil, Valve.....181
Coil: Valve.....181
Collar.....165
Collar: MX1012 Column.....11, 15, 19, 23
Collar: Split.....11, 15, 19, 23
Comp Spring, Inner Hold-Down.....101
Connector, 1/4 in. Air Bulkhead.....81
Connector, 1/4 in. Air Union.....81
Connector, 1/4 in. MPT x 1/4 in. Tube.....81
Connector, 1/4 in. Tube x 1/4 in. FPT.....82
Connector, 1/4 in. Tube x 1/4 in. MPT.....81
Connector, 1/4 in. Tube x 1/8 in. MPT.....81
Connector, 23 Pos HD Deutsch Plug.....145
Connector, 23 Pos HD Series, Deutsch Receptacle.....145
Connector, 3/8 in. Air Bulkhead.....81
Connector, 3/8 in. Air Union.....81
Connector, 3/8 in. Tube x 1/4 in. MPT.....81
Connector, 3/8 in. Tube x 3/8 in. MPT.....82
Connector, Air Line, 1/4 in. Tube x 3/8 in. MP.....82
Connector, Deutsch, 3 Socket.....145
Connector: #12 MJ x #20 MO.....43
Connector: #20 MJ x #20 MO.....43
Connector: #24 MJ x #24 MO.....151
Connector: 06 ORB x 06 JICM.....43, 161
Connector: 1/2 MPT x 1/2 Tube.....75, 89, 93
Connector: 1/2 MPT x 3/8 Tube.....77
Connector: 3/8 MPT x 3/8 Tube.....12, 16, 20, 24
Connector: 37d FI-ORB 3/4-16.....43, 161
Connector: 37deg Flare.....43, 155, 159, 161

Cotter Pin, 3/16 x 2 Stainless Steel...27, 107, 169
Cotter Pin, 3/16 x 2 Yellow Zinc.....111
Cotter Pin, 3/32 x 1/2.....61
Coupler, Gladhand Midland.....77, 193
Coupler: 1 In. JIC Swivel.....41
Coupling: 1/4 NPTF x 1/8 NPTF.....89
Cover.....99, 165
Cover Assembly - Air Cleaner.....49
Cover, CE Signal Lights.....139
Cover: Beater Bar.....137
Cover: Fuel Tank.....73
Cover: Hub.....165
Cover: Rear.....165
Cover: Stauff Clamp Single 2.05.....177
Cross, 1/4 in. Air Union.....81
Cushion: Rubber.....59
Cylinder Block.....165
Cylinder: 2 x 2.5.....111
Cylinder: 3 In x 24 In ORB Hyd.....29
Cylinder: 3 x 20.....169

D

Decal - Danger, Conveyor Entanglement....71
Decal - Danger, Rotor Entg'mt.....71
Decal - Grease.....69, 71
Decal - High Pres Oil.....69, 71
Decal - Important, Lug Nuts.....69, 71
Decal - Oil Chain.....71
Decal - Patent List.....69
Decal - Rotating Parts.....71
Decal - Shield Is Off.....71
Decal - Smv Emblem.....71
Decal - Warning Cable Entanglement.....69
Decal, Agbag 4 in. x 10.8 in.....71
Decal, Agbag 5.9 in. x 16 in.....69, 71
Decal, Agbag 8.9 in. x 24.4 in.....71
Decal, Agbag.com 1.76 in. x 19.9 in.....71
Decal, Before Operating.....71
Decal, Danger Walkways.....69, 71
Decal, Diesel Fuel.....71
Decal, Pinch Point.....69
Decal, Red 2x9 Retroreflective.....71
Decal, Warning Hand Crushing.....69, 71
Decal, Welding Notice.....69, 71
Decal, Ylw 2x9 Retroreflective.....69, 71
Decal- Danger Start In Neutral.....71
Decal: Agbag, 12 in. x 32 in.....71
Decal: Joystick Controls.....91
Decal: Mx1012 Commercial, 32 in.....71
Decal: Mx1012 Gauge Panel, Left.....89
Decal: Mx1012 Gauge Panel, Right.....89
Decal: Mx1012, 24 in.....69, 71
Decal: Mx1012, Vertical.....71
Decal: OAT Coolant 100mm.....71
Decal: Oil Level Hyd Reservoir.....151
Decal: Tow Valve Direction.....71
Dipstick: Durst Gearbox.....31
Door: Battery Access.....59
Drive, Wheel Class 5 Blk Bruin - Mchnd....11, 15, 19, 23
Drum, Brake - Machined.....11, 15, 19, 23
Dryer: Air Bendix.....75
Dye: Oil-Glo 44, 4 OZ.....187
Dye: Oil-Glo 44, 4oz.....152
Dye: Oil-Glo 44, 8 OZ.....187



Part Description Index (continued)

E

Elbow - 90d Flange.....159
Elbow - 90d Reducer 4 x 5.....49
Elbow - Reducing 90d 7 x 5.....49
Elbow Joint: Gas Spring.....149
Elbow, -06 ORB x MJIC.....111, 169
Elbow, -08 ORB x 3/8 MJIC.....171
Elbow, -16 ORB x -16 M JIC.....157
Elbow, -20 ORFS 45d Swivel.....163
Elbow, 1/4 in. Air Union.....81
Elbow, 1/4 in. MPT x 1/4 in. Tube.....81
Elbow, 1/4 in. Tube x 1/8 in. FPT.....81
Elbow, 1/8 in. MPT x 1/4 in. Tube.....81
Elbow, 3/4 MJIC x Swivel 90.....179
Elbow, 3/8 HB x 1/4 MPT Brass.....47
Elbow, 3/8 in. Air Union.....81
Elbow, 3/8 MPT x 3/8 HB Brass.....37
Elbow, 3/8 MPT x 3/8 MPT.....93
Elbow, 45d -12 MJIC x JIC Swvl.....179
Elbow, 90 1/2 in. JIC Swivel.....163
Elbow, 90d, 3/8 in. Tube - 3/8 in. NPT (Included in Item 36).....152
Elbow: -08 ORB x 3/8 FPT 90.....73
Elbow: -24 ORB x -20 MJIC.....151
Elbow: 1/2 MPT x 1/2 Tube.....75
Elbow: 1/2 MPT x 3/4 MJIC.....75
Elbow: 1/4 MPT x 1/4 Tube.....75, 89
Elbow: 1/4 MPT x 3/8 Tube.....79, 89
Elbow: 1/8 FPT x 1/4 Tube.....89
Elbow: 1/8 FPT x 1/8 MPT.....95
Elbow: 1/8 MPT x 1/4 Tube.....75
Elbow: 10 ORB x 1/2 MJIC.....155
Elbow: 3/4 MJIC x Swivel.....43, 151, 155, 159, 161, 177
Elbow: 3/8 HB x 1/8 MPT Brass.....47
Elbow: 3/8 MJIC x 3/8 JIC Swvl.....43, 107, 152, 177
Elbow: 3/8 MPT x 1/2 Tube.....75
Elbow: 3/8 MPT x 3/8 Tube.....77, 89, 93
Elbow: 45 #8 MJ x #8 FJ.....152, 161
Elbow: 45 1/8 MPT x FPT.....95
Elbow: 45d 1 In. FJIC x MJIC.....152, 177
Elbow: 45d 16 ORFS/16 Flange.....159
Elbow: 45d 3/8 JIC x 3/8 JIC.....43, 152, 161
Elbow: 45d 37deg Flare.....152, 161
Elbow: 45d Swivel Nut - 16 ORFS.....159
Elbow: 90 Street #8 MP x #8 FP.....75
Elbow: 90 Union #6 MJ x #6 MJ.....27, 29
Elbow: 90d -08 ORB x 3/8 MJIC.....107
Elbow: 90d 1/4 NPT Strt.....97
Elbow: 90d 16 JIC Sn.....41, 151, 155, 161
Elbow: 90d 37d FI-ORB 3/4-16.....151, 155
Elbow: 90d 37d FI-Swvl 3/4-16.....135, 155, 161
Elbow: 90d 37deg Flare.....161
Elbow: 90d 7/16 9/16 O-Ring.....97
Elbow: 90d Adj 37d Flare ORB.....159, 161
Elbow: 90d Flange.....155
Elbow: Str Trh 1/4x1/4 SAE.....155
Element.....75
Element: Filter Primary.....49
Element: Filter Secondary.....49
Engine Mount Wldmnt.....35
Exhaust Clamp - 5 Inch Stainless Steel.....51
Exhaust Outlet Tube.....51
Extension: Ft Idle Section.....95

F

Face Seal O-Ring (ORFS).....189
Fairlead: Hitch Winch.....9
Fan: Cooling.....43
Feedtable Lock Pin Asm.....7
Feedtable Wing Wld CE.....101
Feedtable Wing Wld EE.....101
Filter - Oil QSL LF9009.....53
Filter Element.....151
Filter Element, Top 8Z25.....151
Filter-Fuel Secondary, Cummins QSL.....53
Filter: Asm - Hyd Return 4275/4360.....151
Filter: Asm - Top Tank Case Drn.....151
Filter: Hyd Spin On 9 Micro.....155
Filter: Oil Tank Breather.....151
Fitting, -10 MORB x 3/8 FPT.....37
Fitting, 1/8 in. NPT x 1/4 in. Int Hex.....81
Fitting, 5/16 in. HB.....47
Fitting: 1/4 MPT x 3/8 HB.....97
Fitting: Brass Strt 3/8 NPT 3/8 HB.....39, 73
Fitting: Bulkhead 1/4 In. FPT Brass.....97
Flange Kit, SAE 1 in. Code 61.....157
Flange: 20 ORFS/code 62.....163
Flange: Kit - 2 In. Code 61.....157
Flange: Kit - 20 Code 62.....163
Flange: Kit - 3/4 In. Code 61.....159
Flange: Kit - SAE 1 In.....155, 159
Flatwasher, 1/2 Hardened.....35, 157
Flatwasher, 3/8 Hardened.....37
Flatwasher, 7/8 Stainless Steel Special.....7
Flatwasher, SAE 1 in.....163
Foam: Seal - 1x1 Self Adhesive (Order Per Foot).....41
Frame: Feed Table.....95
Fuel Filter - Primary QSL.....53

G

Gasket, Hyd Filter.....151
Gasket: Fan Pump.....43, 97
Gauge, Air Pressure.....89
Gauge: 1000 Psi Charge Pump.....151
Gauge: Pressure.....89
Gearbox: Mx1012 Durst.....31
Gease Fitting (Optional).....99
Governor, Air Compressor.....37
Grease Fitting, 1/4-28.....27
Grease Zerk 1/4-28.....121, 131
Grommet, Taillight.....139
Guide: Fdtbl Belt 7/8x2x24 UHMW.....95

H

Hair Pin, Stainless Steel.....117
Hairpin, .177 x 3-11/16.....9
Handle.....121
Handle: Door.....59
Handle: Engine Door.....61
Harness - Engine Light.....139
Harness, Light, 6000 Series.....141
Harness, Light, Wishbone 6000.....141
Harness: Alternator.....143
Harness: Armrest Mx1012.....149
Harness: Cab End Mx1012.....149
Harness: Cab1.....143
Harness: Disconnect To Grid Htr Relay.....143
Harness: Engine End Mx1012.....149

Harness: Grid Heater Mx1012.....143
Harness: Ground Post To Engine.....143
Harness: Post To Disconnect.....143
Harness: Signal Lights.....149
Harness: Winch Power.....143
Head: Filter Hmk05.....155
Heater Hose, 1 in. Condor.....47
Hhblt G 5 1/2-13 x 1.50.....35, 121
Hhblt Gr 8 1/2-13 x 1-1/2 Yellow Zinc.....133, 157
Hhd Jam Nut, 5/8-18 Fin.....11, 15, 19, 23
Hhd Jamnut, 3/8-16.....11, 15, 19, 23
Hhd Screw, 1/4-20 x 3/4 Stainless Steel Tc.....139
Hhdbl - 3/8-16 x 1-1/2.....35, 119
Hhdbl - G5 1/2-13unc x 1-1/4 in.....121
Hhdbl - G5 1/4 x 1 Yellow Zinc.....139, 149
Hhdbl - G5 1/4-20 x 3-1/4.....7
Hhdbl - G5 3/8 x 2.....11, 15, 19, 23
Hhdbl - G5 3/8-16 x 3 in.....121
Hhdbl - G5 3/8-16 x 3/4.....121
Hhdbl - G5 3/8x1 in. Yellow Zinc.....7, 37, 63, 119
Hhdbl - G5 3/8x7/8 in.....121
Hhdbl - G8.8 M12-1.75 x 30.....119
Hhdbl - Stainless Steel 5/16-18 x 1.....79, 143
Hhdbl - Stainless Steel 5/16-18 x 1-1/4 in.....149
Hhdbl 5/8-11 x 3 Gr5.....107
Hhdbl 5/8-11 x 4-1/2 Gr5.....35, 123, 125
Hhdbl G5 1/4-20 x 1-1/4 Yellow Zinc.....149
Hhdbl, 1/2-13 x 1-1/4 Stainless Steel.....47
Hhdbl, 3/8-16 x 1-1/2 Gr 5 Ft.....7
Hhdbl, 5/16-18 x 5-1/2, Gr 5.....7
Hhdbl, G 10.9 M16 x 65.....12, 16, 20, 24
Hhdbl, G 8.8 M12-1.75 x 110mm.....119
Hhdbl, G5 1/2-13 x 2.....133
Hhdbl, G5 1/2-13 x 4 in.....113
Hhdbl, Gr 10.9, M10-1.5 x 30mm.....31
Hhdbl, Gr 5, 3/8-16 x 1-1/4.....27, 101, 123, 125
Hhdbl, Gr 5, 5/16-18 x 1-1/4.....35
Hhdbl, Gr 8 1-8 x 3-1/2.....163
Hhdbl, Gr 8 3/8-16 x 1 in.....31
Hhdbl, Gr 8, 3/4-10 x 2.....35
Hhdbl, Gr 8, 3/8-16 x 1.....49
Hhdbl, Gr 8.8, M8-1.25 x 25mm.....121
Hhdbl, Gr5 1/2-13 x 2-1/4.....109
Hhdbl, Gr5 1/2-13 x 5.....113
Hhdbl, Gr5 1/2-13 x 7.....169
Hhdbl, Gr8 1/2-13 x 3-3/4.....12, 16, 20, 24
Hhdbl, M12-1.75 x 35mm.....35
Hhdbl, Stainless Steel 3/8-16 x 1-1/4.....37
Hhdbl, 3/8-16 x 1-3/4 Full Thrd Stainless Steel.....149
Hhdnut - 3/4-10 UNC.....35
Hhdnut - 3/8-16.....7, 49, 67, 101, 119, 139, 143, 149
Hhdnut - 5/16-18.....9
Hhdnut - 5/8-11.....11, 15, 19, 23
Hhdnut - M12-1.75 Jam.....11, 15, 19, 23
Hhdnut - Nylon Lk 1/2-13.....35, 109, 133
Hhdnut - Nylon Lk 1/2-13 Flange.....109, 113, 121, 169
Hhdnut - Nylon Lk Flng 3/8-16 Yellow Zinc.....12, 16, 20, 24, 63



Part Description Index (continued)

Hhdnut - Stainless Steel Nylok 3/8-16.....37, 47, 51, 143, 149
 Hhdnut M6 Flange Nylok.....89
 Hhdnut, #10-24 Nylock Stainless Steel.....149
 Hhdnut, #8-32 Stainless Steel Nylock.....121
 Hhdnut, 1-8 Jam Nylock Yellow Zinc.....117
 Hhdnut, 1/2-13.....109
 Hhdnut, 1/2-13 Stainless Steel Nylock.....47, 101
 Hhdnut, 5/16-18 Nylock.....7, 35, 93, 123, 125
 Hhdnut, 5/16-18 Stainless Steel Nylock.....61, 79, 143
 Hhdnut, 5/8-11 Nylock.....35, 123, 125
 Hhdnut, 7/8-9 C-Lock.....115
 Hinge: Battery Door.....59
 Hinge: Platform Mount.....59
 Hook-Cover (rubber).....61
 Hose - Lower Rad 4275/4365.....45
 Hose, 3-1/2 in. High Temp CAC.....45
 Hose, 3/8 in. Fuel (Order Per Foot).....47
 Hose: Fuel 3/8 In. (Order Per Foot).....97
 Hose: Fuel Suction (Order Per Foot).....39, 73
 Hose: Radiator MX1012.....45
 Housing: Power Outlet.....89
 Hub Assembly With Cups (Includes Items 4, 5 & 14).....105
 Hub, 8 Bolt Complete.....105
 Hub: Planetary.....131
 Hyd Cylinder, 3 in. x 24 in. ORB.....27, 107
 Hyd Cylinder, 4 in. x 24 in. ORB.....171
 Hydrostat Port (Mfg# 711510-4) (Tube Fitting Size 16) (I.D. 1.296) (W 0.139).....189

I

Identification Plate.....166
 Input Gear SAE 1 in. -6B Spline.....99
 Input Thrust Washer.....99
 Insert: Open End 5/16-18.....43
 Insert: Piston.....165
 Isolator: Radiator.....41

J

Jack Base, Hydraulic - Cab End.....173
 Joystick: Drive JC6000 2-Button.....91

K

Key, Miller Ignition.....89
 Key: Sq - 1/2 x 1/2 x 3 Long.....137
 Key: Sq - 1/2 x 2.....97
 Keypad: Can 1.....89
 Keypad: Can 2.....89
 Keypad: Can 3.....73
 Keypad: Can 4.....73
 Kit - 6000 Lights & Harness.....139
 Kit - Bungee Cord.....193
 Kit, Brake hardware (Includes Items 15-19).....16, 24
 Kit, Brake hardware (Includes Items 16-20).....12, 20
 Kit, Cylinder Stop.....169
 Kit: Hydraulic Oil Dye, Opti-Lux.....187
 Kit: Hydraulic Oil Dye, Optimax.....187
 Kit: Hydraulic Oil Dye, Optimax Jr.....187
 Kit: Mx1012 Hyd Tubing.....177
 Kit: Pump Seal.....157

Kit: Seal.....181, 185
 Kit: Seal (Incl Items B911, C915, G911, Z004 & Z034).....166
 Kit: Seal for items 14 & 15.....155
 Kit: Seal PC Chassis.....181
 Kit: Seal Repair.....157
 Kit: Seal Valve PO Check.....181
 Kit: Service Compensator.....157
 Kit: Shaft Seal for Items 14 & 15.....155

L

Latch Handle Wld.....101
 Latch Mount Wld.....101
 Latch: Keyed.....59
 Latch: Rubber.....59
 Lens, Amber.....141
 Lens, Red.....141
 Light - Work.....139
 Light, Tail 4 in. Green.....139
 Light, Tail 4 in. Red.....139
 Light, Tail 4 in. Yellow.....139
 Light: Amber/Red LH Dual.....141
 Light: Amber/Red RH Dual.....141
 Light: Oval 90 12v Halogen Pendant 60w.....139
 Light: Oval 90 12v Halogen Upright 60w...139
 Lock Ring.....99
 Lock Washer.....165
 Lock, Deutsch, 12 Pin Receptacle.....145
 Lock, Deutsch, 12 Socket Plug.....145
 Lock, Deutsch, 2 Pin Receptacle.....145
 Lock, Deutsch, 2 Socket Plug.....145
 Lock, Deutsch, 3 Pin Receptacle.....145
 Lock, Deutsch, 3 Socket Plug.....145
 Lock, Deutsch, 4 Pin Receptacle.....145
 Lock, Deutsch, 4 Socket Plug.....145
 Lock, Deutsch, 6 Pin Receptacle.....145
 Lock, Deutsch, 6 Socket Plug.....145
 Lock, Deutsch, 8 Pin Receptacle.....145
 Lock, Deutsch, 8 Socket Plug.....145
 Lock: Transport.....7
 Lockwasher, 1-11/16.....145
 Lockwasher, 1-8 Yellow Zinc.....163
 Lockwasher, 3/8 Spcl.....12, 16, 20, 24, 157
 Lockwasher, 5/8 Yellow Zinc.....11, 15, 19, 23, 107
 Lockwasher, 7/8 Yellow Zinc.....115
 Lockwasher, M12.....35, 119
 Lockwasher, M20 Zc.....163
 Lynch Pin, 5/16 x 2.5.....7

M

Mach Bshg - 1/2 in. 14 Ga.....101
 Machine Bushing - 3-1/4 Od x 2-1/4 Id x #10 Ga.....107
 Manifold, Air Line.....81
 Manifold: 1/2 NPT x 3/8 NPT Alum.....89
 Manifold: Aux Hydraulic.....161
 Manifold: Auxiliary Complete.....182
 Manifold: Hydrostat.....159
 Manifold: Hydrostat Complete.....185
 Module: Display IQAN MD3.....89
 Module: Iqan Xs2.....149
 Module: MVEC Mx1012.....149
 Module: Node Iqan Xa2.....149

Motor: Bb7 Heavy Duty Hydraulic.....163
 Motor: Hyd.....97
 Motor: Hyd - Beater 32.7 Cu In.....135
 Motor: Hyd 275 Fan Tapered.....43
 Mount - Engine.....35
 Mount: Beater Bar Hyd Motor.....135
 Mount: Cooler.....41
 Mount: Engine.....35
 Mount: Fdtbl Bearing Adjustable.....95
 Mount: Feedtable Hyd Motor.....97
 Mount: Fuel Tank Rect.....73
 Muffler - Roof Mounted.....51

N

Neg Batt Jumper Term.....143
 Nipple - Pipe 1/2 Hex.....77
 Nipple, Hex 3/8 NPTF.....93
 Nipple: Stainless Steel 1/8 In. x 3.....137
 Nut.....166
 Nut - Lug Flanged 3/4 in. Nf W183.....11, 15, 19, 23
 Nut, 1-11/16-18.....145
 Nut, Hex Lock, 3/8-16 Nylock.....103
 Nut, Hex Lock, 5/8-11 Nylock.....103
 Nut, Ignition Switch.....89
 Nut, Slotted, 3/4-16.....105
 Nut, Wheel.....105
 Nut: 5/8-18 Top Lock.....43
 Nut: Clip 3/8-16.....85
 Nut: Hex 1-8 Unc.....95, 163
 Nut: Hex 3/4-10.....97
 Nut: Hex 3/8-16.....65, 73, 87, 137
 Nut: Hex 5/16-18.....85
 Nut: Hex 5/8-18 Nylock.....73
 Nut: Hex Jam 3/4-16 Nylock.....57
 Nut: Hex Jam Nylok 3/4-10 YZ.....12, 16, 20, 24
 Nut: Hex M6.....73
 Nut: Hex Nylock Flg Gr8 5/8-11.....127, 135, 137
 Nut: Hex Nylok Cntr 1/4 In.....7, 139, 149
 Nut: Hex Nylok Lk 3/4-10.....137
 Nut: Hex Nylon Lk 1/2-13.....41, 43, 73, 85, 95, 135, 137
 Nut: Hex Nylon Lk 1/2-13 Flang.....43, 97, 127
 Nut: Hex Nylon Lk 3/8-16.....35, 41, 55, 75, 85, 95, 119, 121, 123, 125
 Nut: Hex Nylon Lk 3/8-16 Flanged.....59, 129
 Nut: Hex Nylon Lk 5/16-18.....43, 127, 129, 177
 Nut: Hex Stainless Steel #10-24 Nylock.....59, 65
 Nut: Hex Stainless Steel 5/16-18 Nylock Jam.....85, 95
 Nut: Hex Stainless Steel Nylok 1/2-13.....41, 43, 151
 Nut: Hex Stainless Steel Nylok 1/4-20.....129, 149
 Nut: Hex Stainless Steel Nylok 3/8-16.....41, 87
 Nut: Hex Stainless Steel Nylok 5/16-18.....55, 65, 87, 129
 Nut: Hex Stainless Steel Nylok 5/8-11.....121
 Nut: Jam - 1/2-13.....95, 151
 Nut: Jam 3/4 Hhd.....97
 Nut: Lug - 9/16-18nf 90deg.....95



Part Description Index (continued)

Nut: Shaft.....165

O

O-Ring (Included In Seal Kit).....165, 166
O-Ring (Included With Flange kit).....163
O-Ring - Hyd Filter 275 Top.....151
O-Ring, #042.....157
O-Ring, #045.....157
O-Ring: Input Shaft (Not Shown).....31
O-Ring: Pump Pad (Not Shown).....31
O-Ring: Spline Adapter (Not Shown).....31
Oil Cooler Section.....41
ORFS Hose End (Mfg# 2-011) (Tube Fitting Size 4) (Tube OD 1/4) (I.D. 0.30) (W 0.07) (Hose Hex Size 11/16).....189
ORFS Hose End (Mfg# 2-012) (Tube Fitting Size 6) (Tube OD 3/8) (I.D. 0.36) (W 0.07) (Hose Hex Size 13/16).....189
ORFS Hose End (Mfg# 2-014) (Tube Fitting Size 8) (Tube OD 1/2) (I.D. 0.49) (W 0.07) (Hose Hex Size 15/16).....189
ORFS Hose End (Mfg# 2-016) (Tube Fitting Size 10) (Tube OD 5/8) (I.D. 0.61) (W 0.07) (Hose Hex Size 1-1/8).....189
ORFS Hose End (Mfg# 2-018) (Tube Fitting Size 12) (Tube OD 3/4) (I.D. 0.74) (W 0.07) (Hose Hex Size 1-3/8).....189
ORFS Hose End (Mfg# 2-021) (Tube Fitting Size 16) (Tube OD 1) (I.D. 0.93) (W 0.07) (Hose Hex Size 1-5/8).....189
ORFS Hose End (Mfg# 2-025) (Tube Fitting Size 20) (Tube OD 1-1/4) (I.D. 1.18) (W 0.07) (Hose Hex Size 1-7/8).....189
ORFS Hose End (Mfg# 2-029) (Tube Fitting Size 24) (Tube OD 1-1/2) (I.D. 1.49) (W 0.07) (Hose Hex Size 2-1/4).....189
Orifice, 3/8 JIC .078.....163
Overflow Bottle - 4 Qt Rad.....47

P

Package: Cooling.....41
Panel: Dash.....89
Panel: Engine Cover, Top.....63
Panel: Engine End Control.....149
Panel: Relay Mount.....149
Pin.....165, 166
Pin (Included With Clevis).....11, 15, 19, 23
Pin - 1 in. Dia. x 3.25 Grade 5.....121
Pin - Hair 5/32 x 2-15/16 Znc.....7
Pin - Hitch .625 Dia x 4.....7
Pin - Lock 3/8 x 3.....67
Pin - Roll 1/4 in. x 1 in. Std. Coiled.....27
Pin - Spring 5/32 x 1-1/4.....57, 101
Pin Asm - Anchor Cyl Lng 1.5 in.....121
Pin, Bag Boom Pulley W/plate.....121
Pin, Brake Shoe.....11, 15, 19, 23
Pin, Clevis.....27, 171
Pin, Clevis (included with cylinder).....107
Pin, Clevis 1 x 3 W/ Head, Plated.....169
Pin, Clevis 1/4 x 1 1/2.....61
Pin, Cotter.....111
Pin, Cotter 1/8 x 1 in.....109
Pin, Cotter, 5/32 in. x 1-3/4 in.....105
Pin, Deutsch, 14 Ga.....145
Pin, Deutsch, 16/18 Ga.....145

Pin, Feed Table Lock.....7
Pin, Pintle Hitch 1-1/4 x 9-5/8.....9
Pin, Pintle Hitch Brace 1-1/4 x 5-1/4.....9
Pin, Roll, 3/16 x 2 in.....7
Pin: 1/4 x 1-1/2 Hd Spiral.....7
Pin: 1/8 in. x 1 in. Roll.....111
Pin: 1/8 in. x 2 in. Roll.....67
Pin: Anchor.....117
Pin: Bag Pan.....111
Pin: Bent.....85, 111
Pin: Cam Lever.....57, 101
Pin: Clevis.....29
Pin: Clevis 1/4 x 1-1/2.....59
Pin: Cotter 3/32 x 1/2.....59
Pin: Cylinder.....111
Pin: Cylinder RE.....111
Pin: Engine Deck Hinge.....67
Pin: Hair 1/8 x 2-3/8.....111
Pin: Hitch 3/4 x 4-1/2 In.....87
Pin: Pintle Hitch.....9
Pin: Pivot.....109
Pin: Roll 1/4 x 1 In. Std. Coiled.....29
Pin: Stainless Steel Cotter 1/8 x 1-1/4 In...101
Pin: Stainless Steel Cotter 3/16 x 2 In.....29
Pin: Tunnel Lock.....7
Pin: Wheel Lock Pivot.....7
Pipe, Plug 1/4 in. NPT-Soc Hd.....99
Pipe, Plug Magnetic 3/8 in. NOT-Soc Hd.....99
Piston.....165
Planet Bearing.....99
Planet Gear.....99
Planet Shaft.....99
Planet Thrust Washer.....99
Planetary: Feedtbl Drv 5:1 2 in.....97
Plate, Pulley Mount.....7
Plate, S Cam Brkt Clmn Mnt.....11, 15, 19, 23
Plate- Rod Mount.....101
Plate: Belt Backup.....129
Plate: Bottom Mounting Fan Support.....43
Plate: Brace.....63
Plate: Clamp.....177
Plate: Cover.....59, 73
Plate: Cover, Side.....59
Plate: Door Frame.....61
Plate: Door, Side.....59
Plate: Drive Roller Skirting.....95
Plate: Dust Shield.....65
Plate: Ear.....169
Plate: Engine Cover.....59
Plate: Engine Cover, Front.....63
Plate: Engine Cover, Rear.....63
Plate: Engine, Cover.....65
Plate: Fan Shroud Side.....41
Plate: Feed Table Riser CE.....7
Plate: Feed Table Riser EE.....7
Plate: Filler.....65
Plate: Gauge Panel Cover.....89
Plate: Hinge Loop.....95
Plate: Hopper Wall.....7
Plate: Lower Shock Mount.....85
Plate: Operator Deck.....55
Plate: Seat Sensor Cover.....87
Plate: Shield.....37
Plate: Side Panel, Engine.....63
Plate: Slide.....113
Plate: Spacer.....65, 137, 169

Plate: Spacer, Battery Disconnect.....143
Plate: Stripper Bar.....115
Plate: Tubing Clamp Support.....177
Plug - Hex Head #8 MP.....89, 93
Plug, Deutsch 23 Socket (Plastic).....145
Plug, Deutsch Cavity.....145
Plug, Deutsch, 12 Socket.....145
Plug, Deutsch, 2-Socket.....145
Plug, Deutsch, 31 Socket (Plastic).....145
Plug, Deutsch, 4 Socket.....145
Plug, Deutsch, 6 Socket.....145
Plug, Deutsch, 8 Socket.....145
Plug, Gladhand.....77
Plug, Pipe 1/8 -27 NPT.....47
Plug: #12sae O-Ring 1-1/16-12.....155
Plug: #8 ORB 3/4-16 Hex Head.....159, 161
Plug: -16 ORB.....152
Plug: 3/8 Socket Hd.....75
Plug: 6 SAE Hex Socket.....159
Plug: 6 Sae Hex Socket.....161
Plug: Breather 1/8 In. MPT.....97
Plug: Breather Rams(94) 1/4 MPT in.....97
Plug: Expansion (Not Shown).....31
Plug: Hex Head #10 MO.....41
Plug: Hex Hollow 6 ORST.....41, 161
Plug: O-Ring Sae #6.....181, 185
Plug: Taper.....165
Pn Hd Screw, #8-32 x 3/4.....89, 121
Port O-Ring (Mfg# 3-904) (Tube Fitting Size 4) (Tube OD 1/4) (I.D. 0.35) (W 0.07) (Hex Size Str Ftg 5/8).....189
Port O-Ring (Mfg# 3-906) (Tube Fitting Size 6) (Tube OD 3/8) (I.D. 0.41) (W 0.07) (Hex Size Str Ftg 3/4).....189
Port O-Ring (Mfg# 3-908) (Tube Fitting Size 8) (Tube OD 1/2) (I.D. 0.64) (W 0.09) (Hex Size Str Ftg 7/8).....189
Port O-Ring (Mfg# 3-910) (Tube Fitting Size 10) (Tube OD 5/8) (I.D. 0.76) (W 0.10) (Hex Size Str Ftg 1-1/16).....189
Port O-Ring (Mfg# 3-912) (Tube Fitting Size 12) (Tube OD 3/4) (I.D. 0.92) (W 0.12) (Hex Size Str Ftg 1-1/4).....189
Port O-Ring (Mfg# 3-916) (Tube Fitting Size 16) (Tube OD 1) (I.D. 1.17) (W 0.12) (Hex Size Str Ftg 1-1/2).....189
Port O-Ring (Mfg# 3-920) (Tube Fitting Size 20) (Tube OD 1-1/4) (I.D. 1.48) (W 0.12) (Hex Size Str Ftg 1-7/8).....189
Port O-Ring (Mfg# 3-924) (Tube Fitting Size 24) (Tube OD 1-1/2) (I.D. 1.75) (W 0.12) (Hex Size Str Ftg 1-7/8).....189
Port O-Ring (Mfg# 3-932) (Tube Fitting Size 32) (Tube OD 2) (I.D. 2.34) (W 0.12) (Hex Size Str Ftg 2-3/4).....189
Pos Batt Jumper Term.....143
Powercoil: Light Duty 12 Ft.....193
Pre-Cleaner 4365 includes clamp.....49
Pulley, Anchor - Large 1-1/2.....121
Pump: Gear.....157
Pump: Gear 2.50 Cu In.....43
Pump: Hydrostat W/o Charge.....155
Pump: Hydrostat With Charge.....155
Pump: Piston.....157
Purge Valve.....75



Part Description Index (continued)

R

Radiator Section.....41
 Receptacle, Deutsch 23 Pin (Plastic).....145
 Receptacle, Deutsch 3 Pin.....145
 Receptacle, Deutsch, 12 Pin.....145
 Receptacle, Deutsch, 2 Pin.....145
 Receptacle, Deutsch, 31 Pin (Plastic).....145
 Receptacle, Deutsch, 4 Pin.....145
 Receptacle, Deutsch, 6 Pin.....145
 Receptacle, Deutsch, 8 Pin.....145
 Receptacle, Y.....145
 Reducer: -10 MJIC x -08 MJIC.....177
 Reducer: -20 ORB x -08 ORB.....155
 Reducer: 24-16 JIC.....151
 Reducer: 3/4 FJIC x 3/8 MJIC.....151, 177
 Relay: Solid State Dual 200a.....149
 Relay: Starter.....37
 Restrictor: .062.....159
 Ring Gear.....99
 Ring, Snap.....11, 15, 19, 23
 Ring: Cam.....165
 Ring: Coupling.....165
 Ring: Guide.....165
 Ring: Locking.....165
 Ring: Piston.....165
 Ring: Retaining.....121, 165, 166
 Ring: Sealing.....165
 Ring: Snap - Ext 1.156 In.id.....9
 Ring: Support.....165
 Ring: Retaining (Not Shown).....31
 Rod - 3/8 x 5.5 in. Belt Tensioner.....137
 Rod, Wing Latch.....101
 Roll Pin 3/16 in. x 7/8 in.....99
 Roller, Brake Shoe.....11, 15, 19, 23
 Roller: Anchor With Bushing.....117
 Roller: Feedtbl Drv 10 Ft.....95
 Roller: Feedtbl Idle 10 Ft.....95

S

SAE O-Ring.....189
 Satchel, Literature.....193
 Screen: Corrugated Door.....61
 Screw.....165
 Screw - Set 1/2 x 1/2 Hhd Cp.....97
 Screw, #10-24 x 3/4 in. Pan Hd.....149
 Screw: 3/8-16 x 1 in. Thd Cut.....113
 Screw: Air Bleed.....166
 Screw: Fshcs 1/2-13 1x 1-1/2 Yellow Zinc.....133
 Screw: Hhd - Stainless Steel 1/4-20 x 1-1/4 Tc.....95
 Screw: Hhd - Stainless Steel 5/16-18 x 1-1/2 Tc.....129
 Screw: Set 1/2 x 2-1/2 Sqhd.....95
 Screw: Set 5/16-Unc x 1/2 Skt.....151
 Screw: Shc 1/2-13 x 1-1/4 Yellow Zinc.....97
 Screw: Shd 3/8-16 x 1-3/4 Yellow Zinc.....12, 16, 20, 24
 Screw: Shd M10 x 1.5 x 35mm.....43
 Seal Kit.....99
 Seal Kit - Hydraulic Motor.....135
 Seal Kit for Item 21.....97
 Seal Kit for Item 6.....43
 Seal Kit, Cylinder.....169
 Seal Kit, Hydraulic Cylinder...27, 29, 107, 171

Seal, Cam Brake.....11, 15, 19, 23
 Seal, Oil, 2.250 in.....105
 Seal, Rotor Cover-Inner.....7
 Seal, Rotor Cover-Outter.....7
 Seal: Input (Not Shown).....31
 Seal: Pivot.....121
 Seal: Shaft (Included In Seal Kit).....165
 Seat: Op Station.....87
 Sender: Fuel Level.....73
 Sender: Oil Level/temp.....151
 Sensor: Prox.....119
 Sensor: Wheel Position 250mm 4ws.....149
 Serpentine Belt - QSL.....53
 Shaft.....165
 Shaft: Drive Lower Beater.....137
 Shaft: Feedtable Mounting.....107
 Shaft: Idler Beater.....135, 137
 Shaft: Splined Upper Beater.....135
 Shcs, 3/8-16 x 1-1/4 in.....12, 16, 20, 24, 157
 Shield: Hose Protector 6 In.....7
 Shield: Op Station Canopy.....85
 Shim: Drive Sprocket.....137
 Shims.....99
 Shock: Gas Spring.....85
 Shroud, Fan 4275/4365.....41
 Sight Glass.....47
 Skirt: Belt Front.....129
 Skirt: Belt Rear Filler.....95
 Skirt: Belt Side.....129
 Skirting: Scraper.....123, 125
 Sleeve - Cable Guide, Boom Ext.....121
 Sleeve, Cable.....67
 Slide: Door.....61
 Slide: Engine Enclosure Door.....65
 Snap - Spring 1/4 in. Dia.....193
 Sochdblt - 12mmx90mm G12.9 Din912.....11, 15, 19, 23
 Socket Head Cap Screw M4 0.7x12mm.....181
 Socket, Deutsch, 14 Ga.....145
 Socket, Deutsch, 16/18 Ga.....145
 Spacer - Wheel Column, Brnz.....11, 15, 19, 23
 Spacer, Hydraforce -10 Coil.....181
 Spacer: Btrbar Motor Mount.....135
 Spacer: Btrchn Tensioner Brkt.....137
 Spacer: Tube.....135, 137
 Spider, Brake (mod Valmet).....11, 15, 19, 23
 Spindle, 2.25 in. x 12.00 in.....105
 Split Ring (Matching Halves).....99
 Spring.....165
 Spring - Ext 1x4.50 in.....137
 Spring, Brake.....11, 15, 19, 23
 Spring, Compression.....57, 101
 Spring, Compression, 1 in. OD x 2.5 in.....7
 Spring: Extension.....119
 Spring: Tunnel Lock Retention.....7
 Sprocket: 100a35 Btrbar Drv.....137
 Sprocket: 100b10 2 In. B.....97
 Sprocket: 100b17 2-3/16 1/2 Key.....137
 Sprocket: 100b20 2-3/16 In. B.....97
 Star Washer, 3/8 Stainless Steel.....149
 Starter - Cummins QSL.....53
 Stem - Valve Tire 501.....33
 Stem Plug, 1/4 in. Air.....81
 Stem Plug, 3/8 in. Air.....81
 Stop, 1/4 in. Air End.....81

Stop, 3/8 in. Air End.....81
 Stop, Anchor Cable.....117
 Stop: Cable.....117
 Straight: -12 MJIC x -16 MJIC.....177
 Straight: 2 In. ORB/JIC.....151
 Strainer: Oil Reservoir.....151
 Strap: 9 in. Muffler Mtg.....51
 Strap: Oil Reservoir N4.....151
 Strip: Fdtbl Skirting Frt 10 Ft.....129
 Strip: Fdtbl Skirting Side.....129
 Strip: Neoprene 1/8 x 4 In. (Order Per Foot).....73
 Stub - Battery Feeder 3/8 in.....149
 Stud, Wheel (Included With Item 3).....105
 Stud, Wheel Drive - Class 5.....11, 15, 19, 23
 Support: Fuel Tank.....73
 Support: Hyd Motor.....163
 Switch, Air Filter.....49
 Switch, Ignition.....89
 Switch, SPST Remote Pump.....139
 Switch: Batt Disconnect.....143
 Switch: E-Stop Remote.....73
 Switch: Emergency Stop, Dash.....89
 Switch: Emergency Stop, Remote.....143
 Switch: Op Presence.....87
 Switch: Return Filter 22 Psi.....151
 Switch: Return Filter 35 Psi.....151
 Switch: Toggle 2 Pos 2 Pole Detent Pto.....89
 Swivel: 08 MJIC - 08 FJIC.....179

T

Tag, Emergency Gladhand.....77
 Tag, Service Gladhand.....77
 Tank: Air.....75
 Tank: Coolant Surge.....47
 Tank: Fuel 130 Gal 3304 Rect.....73
 Tank: Hyd Oil 75 Cc Aux Pump.....151
 Tee, -06 ORB x JIC.....111
 Tee, 1/4 in. Air Union.....81
 Tee, 3/4 Swivel Run 37 Flare.....179
 Tee, 3/8 in. Air Union.....81
 Tee, 3/8 in. x 1/4 in. Air Union.....81
 Tee, Union, 3/4-16 37d JIC.....163
 Tee: -16 ORB x -12 JIC.....151
 Tee: -8 Swivel Nutrun T, -12 37 Flare.....179
 Tee: 1/2 In. NPTF Service.....75
 Tee: 1/2 in. Tube Union.....93
 Tee: 1/2 Swivel Run 37 Flare.....155
 Tee: 1/4-18 NPT M/F/F.....75, 97
 Tee: 3/4 MJIC.....43
 Tee: 3/4 Swivel Run 37 Flare.....41, 43, 151
 Tee: 3/8 In. Swivel Run 37 Flare.....177
 Tee: Swivel Run 1 In. JIC.....41
 Tee: Test Port -08 JIC.....43
 Tensioner: Btrchn 3-1/4x3 UHMW.....137
 Terminating Resistor, Deutsch.....145
 Test Point - 4 SAE O-Ring.....43
 Tire - 425/65R 22.5.....33
 Toolbox: Op Station.....55
 Top Link - Cat. II Hitch.....121
 Transducer: Pressure 7500 Psi.....149, 161
 Trim, Black Vinyl .032-.125 (Order Per Foot).....63
 Tube Stem, 1/4 in. Tube x 1/4 in. MPT.....81
 Tube Stem, 1/4 in. Tube x 1/8 in. MPT.....81
 Tube Stem, 3/8 in. Tube x 1/4 in. MPT.....81



Part Description Index (continued)

Tube Stem, 3/8 in. Tube x 3/8 in. MPT.....81
 Tube: Battery Hold Down.....143
 Tube: Exhaust.....51
 Tube: Frame.....113
 Tube: Hydraulic -06 x 130 in.....175
 Tube: Hydraulic -10 x 130 in.....175
 Tube: Hydraulic -10 x 63 in.....175
 Tube: Hydraulic -16 x 130 in.....175
 Tube: Intake 90d.....49
 Tube: Lower CAC.....45
 Tube: Lower Radiator.....45
 Tube: Upper CAC.....45
 Tubing, 1/2 in. Blue Nylon Air.....81
 Tubing, 1/2 in. Nylon Air.....81
 Tubing, 1/4 in. Blue Nylon Air.....81
 Tubing, 1/4 in. Green Nylon Air.....81
 Tubing, 1/4 in. Nylon Air.....81
 Tubing, 1/4 in. Red Nylon Air.....81
 Tubing, 1/4 in. Yellow Nylon Air.....81
 Tubing, 3/8 in. Blue Nylon Air.....81
 Tubing, 3/8 in. Nylon Air.....81
 Tubing, 5/16 in. Coolant.....47
 Tubing, Clear, 3/8 in. (Included in Item 36)
 (Order Per Foot).....152
 Tubing: Air 1/2 Blue Nylon (Order Per
 Foot).....75
 Tubing: Air 3/8 Blue Nylon (Order Per
 Foot).....75
 Tubing: Nylon 1/4 Blue (Order Per Foot).....75

U

UHMW: Virgin 1/4 x 6 x 113.....7
 Union -04 ORB-06 MJIC.....157
 Union, Bulkhead #8 MJ x #8 MJ.....179
 Union: 1 MJIC.....177
 Union: 12 JIC (male).....97
 Union: 3/8 MJIC.....177

V

Valve - Dust Ejection.....49
 Valve, 1/4 in. Pneumatic.....81
 Valve, Air Parking.....89
 Valve, Double Check Air Brakes.....93
 Valve, Po Check.....181
 Valve, Po Check Cartridge.....181
 Valve, Quick Release 229813.....79
 Valve, Treadle Wm472d.....93
 Valve: 2 Pos 4 Way Spool.....181
 Valve: 3-Way Ball.....77
 Valve: Brake.....89
 Valve: Check 1 In. JIC.....41, 177
 Valve: Check 100 Psi.....181
 Valve: Check 300 Psi.....181
 Valve: Check Disk.....181
 Valve: Distribution.....165
 Valve: Drain Midland.....75
 Valve: Factory Set To 2800 Psi.....43
 Valve: Flow Regulator, Pc.....181
 Valve: Load Shuttle, Ball.....181
 Valve: Low Side Shuttle.....185
 Valve: Piloted.....185
 Valve: Piloted 2 Pos 4 Way Spool.....185
 Valve: Piloted 3 Way Spool.....185
 Valve: Po Check Valve.....181
 Valve: Poppet 2 Way Closed.....181

Valve: Poppet 2 Way Open High.....185
 Valve: Poppet, 3-Port, Nc.....181
 Valve: Proportional, Reducing /
 Relieving.....181
 Valve: Relief Direct Acting Poppet.....185
 Valve: Relief Po Balanced.....185
 Valve: Relief, Direct-Acting.....181
 Valve: Relief, Direct-Acting, Poppet.....181
 Valve: Safety 150 Psi.....75
 Valve: Spool 2 Way W/relief.....181
 Valve: Spool 3 Way.....185
 Valve: Spool 5 Way 3 Pos Brake
 Release.....181
 Valve: Spool Piloted Proportional.....181
 Valve: Spool, 5-Way, 3-Pos.....181

W

Washer - #10 Stainless Steel.....149
 Washer - Flat 1/2 in. Std.....109
 Washer - Flat 1/4 in. SAE Yellow Zinc.....149
 Washer - Flat 3/8 in. SAE.....7, 31, 35, 49, 63,
 67, 101, 119, 121, 123, 125, 139, 149
 Washer - Flat 5/16 in.....35, 93, 123, 125
 Washer - Lock 5/16 in.....9
 Washer - Lock, 1/2.....11, 15, 19, 23, 157
 Washer - Stainless Steel Flat 3/8 Wide.....47,
 51
 Washer, #10 Flat Stainless Steel.....89
 Washer, 1 in. Stainless Steel Flat.....89
 Washer, 1/2 Flat.....35, 113, 121, 133, 169
 Washer, 1/2 Stainless Steel Flat.....47
 Washer, 1/2 Wide Flat Stainless Steel.....101
 Washer, 3/4 Flat.....35
 Washer, 5/16 Flat.....7, 9, 121
 Washer, 7/8 Flat.....115
 Washer, Brake Shoe.....11, 15, 19, 23
 Washer, Cam.....11, 15, 19, 23
 Washer, Flat 1/4 in.....7
 Washer, Flat, 3/4 in.....105
 Washer, Flat, 7/8 in. Stainless Steel
 Special.....7
 Washer, Lock 7/16 in.....99
 Washer, M12 Flat.....119
 Washer, Stainless Steel 5/16 Flat.....79, 143
 Washer, Stainless Steel Engine Snubbing...35
 Washer, Steering Tie Rod.....27
 Washer-Lock 3/8 in.....27, 37, 49, 67, 121
 Washer: 5/8 Hardened 1.31 Od .074 Thk...43
 Washer: Flat 1 In.....95
 Washer: Flat 1/2 Hardened.....95, 127
 Washer: Flat 1/2 In. (thick).....97
 Washer: Flat 1/2 In. SAE.....43, 75, 85, 161
 Washer: Flat 1/2 In. Std.....43, 73, 127, 155
 Washer: Flat 3/4 In.....97, 137
 Washer: Flat 3/8 Hardened.....95
 Washer: Flat 3/8 In. SAE.....41, 43, 55, 59, 65,
 73, 75, 87, 95, 97, 137
 Washer: Flat 3/8 In. Std.....121, 127
 Washer: Flat 5/16 In.....43, 85
 Washer: Flat 5/16 In. Std Yellow Zinc.....129,
 177
 Washer: Flat 5/8 In. Hardened.....73, 95, 127
 Washer: Flat 5/8 In. Std.....35, 121, 135
 Washer: Flat M12 Din125.....95
 Washer: Flat M20 Yellow Zinc.....163
 Washer: Flat M22 Yellow Zinc.....131

Washer: Lock 1/2 In.....41, 75, 137, 155, 161
 Washer: Lock 3/8 In.....29, 73, 97, 137
 Washer: Lock 5/16 In.....43, 85, 95, 129
 Washer: Lock 5/8 In.....97
 Washer: Lock M22 Yellow Zinc.....131
 Washer: Sealing (Included In Seal Kit).....166
 Washer: Stainless Steel Flat #10.....59
 Washer: Stainless Steel Flat .325 x 1.00 x
 .125.....129
 Washer: Stainless Steel Flat 1/2 In.....151
 Washer: Stainless Steel Flat 1/2 Wide.....41,
 43
 Washer: Stainless Steel Flat 1/4 In.....149
 Washer: Stainless Steel Flat 3/8 In.....37, 87,
 119, 143, 149, 151
 Washer: Stainless Steel Flat 3/8 Wide.....41,
 129
 Washer: Stainless Steel Flat 3/8 Wide
 Heavy.....129
 Washer: Stainless Steel Flat 3/8 x 2 In.
 OD.....129
 Washer: Stainless Steel Flat 5/16.....55, 65,
 87, 151
 Washer: Stainless Steel Lock 1/2 In.....151
 Washer: Stainless Steel Lock 3/8 In.....151
 Washer: Stainless Steel Lock 5/16 In.....151
 Washer: Stainless Steel Radiator
 Snubbing.....41
 Washer: Steering Tie Rod.....29
 Wdmt Rotor 134 in. W 110 Teeth.....131
 Wdmt: 10 Ft Base.....123
 Wdmt: 3/4-10 x 12 In Thr Rod.....97
 Wdmt: Anchor Support.....117
 Wdmt: Bag Pan.....111
 Wdmt: Canopy.....85
 Wdmt: CE FTS Wheel Column.....15
 Wdmt: CE TS Wheel Column.....11
 Wdmt: Chain Guard Side.....137
 Wdmt: Chain Guard Support.....137
 Wdmt: Cover Hyd Batt.....59
 Wdmt: Cradle Frame.....109
 Wdmt: Cross Rail.....63
 Wdmt: Door Hyd Manifold.....59
 Wdmt: Drum Stop.....119
 Wdmt: EE FTS Wheel Column.....23
 Wdmt: EE TS Wheel Column.....19
 Wdmt: Engine Deck.....67
 Wdmt: Engine Frame.....35
 Wdmt: Engine Panel Alt.....59
 Wdmt: Engine Rail.....67
 Wdmt: Extension, 12 Ft.....125
 Wdmt: Extension, Hitch.....9
 Wdmt: Fan Motor Frame.....43
 Wdmt: Fan Support.....43
 Wdmt: Filler.....65
 Wdmt: Filler CE.....133
 Wdmt: Filler EE.....133
 Wdmt: Fuel Tank Mount.....55
 Wdmt: Handle.....59
 Wdmt: Ladder, Engine.....67
 Wdmt: Ladder, Op Station.....57
 Wdmt: Lower Beater.....137
 Wdmt: MX1012 Tunnel Mount.....123, 125
 Wdmt: Op Station.....55
 Wdmt: Op Station Decking.....55
 Wdmt: Pintle Hitch.....9



Part Description Index (continued)

Wdmt: Pintle Hitch Brace.....9
Wdmt: Pivot.....121
Wdmt: Retainer.....121
Wdmt: RH Railing.....55
Wdmt: Rotor Slot Cover.....133
Wdmt: Rotor Slot Cover CE.....133
Wdmt: Rotor Slot Cover EE.....133
Wdmt: Seat Base.....87
Wdmt: Seat Stand.....87
Wdmt: Sliding Cleanout Table.....113
Wdmt: Tie Rod Steering.....29
Wdmt: Tie Rod, Steering.....27
Wdmt: Toggle.....109
Wdmt: Tunnel, 12 Ft Base.....125
Wdmt: Tunnel, Extension 10 Ft.....123
Webbing: 2 In. Black (Order Per Foot).....73,
151
Wedge Lock, Deutsch, J1939.....146
Wheel Motor Port (Mfg# 711510-5) (Tube
Fitting Size 12) (I.D. 0.984) (W 0.139).....189
Wheel, Feed Table Weldment.....103
Wheel: 22.5 x 13 Drive.....33
Whip: Grease 13/16 x 48.....95
Whip: Grease 77 In.....95
Winch: Anchor.....119
Winch: Electric Bag Boom.....121
Winch: Warn 1700 W/remote.....9
Wldmt - 9 in. Dia Muffler Mtg.....51

Z

Zerk: Grease - 1/4-28 taper.....29
Zerk: Grease - 1/8npt Female.....95, 137

“

“G” Base-SAE ‘C’ Mount.....99

This Page Intentionally Left Blank



© 2015 by Miller-St. Nazianz, Inc.
Ag-Bag, a Miller-St. Nazianz Company