



## PARTS MANUAL

### MODEL: LX1214 Professional Silage Bagger

This parts manual is furnished for your convenience only. All parts must be purchased through an authorized dealer. Call us for a dealer near you.

**42.0802220A**



P O Box 127  
511 East Main St.  
St. Nazianz, WI 54232  
(920) 773-2121  
FAX: (920) 773-1200  
Email: [info@millerstn.com](mailto:info@millerstn.com)  
[www.ag-bag.com](http://www.ag-bag.com)

Issue Date: 08/14

## **IMPORTANT!**

For ongoing updates to this Parts Book

Visit us on the web at:

**[www.ag-bag.com](http://www.ag-bag.com)**

and click on PARTSMART web.

Check for new updates before placing any orders.

Order parts through your local dealer.



# Table of Contents

---

## **Section 1 - Frame, Wheel Columns, Steering & Wheel Motors**

1.01 Asm: Frame Parts LX1214.....	8
1.02 Asm: Wheel Column CE TS.....	10
1.03 Asm: Wheel Column CE FTS.....	14
1.04 Asm: Wheel Column EE TS.....	18
1.05 Asm: Wheel Column EE FTS.....	22
1.06 Drivemotor Breakdown.....	26
1.07 Asm: LX1214 Steering CE.....	30
1.08 Asm: LX1214 Steering EE.....	32
1.09 Tow Hitch Assembly.....	34
1.10 Steering & Feedtable Lock Pin Assembly.....	36
1.11 Steering Sensor Assembly.....	38

## **Section 2 - Wheels & Tires**

2.01 Asm: Lx1214 Wheel & Tire.....	40
------------------------------------	----

## **Section 3 - Engine, Engine Frame, Air Cleaner, Exhaust, Cooling, HPTO Clutch & Air Conditioning**

3.01 Cummins Engine Assembly.....	42
3.02 Cummins Engine Frame & Mount Assembly.....	44
3.03 Cummins Engine Air Intake and Exhaust Assembly.....	46
3.04 Cummins Engine Radiator Assembly.....	50
3.05 Cummins Engine Coolant and Air Tube Assembly.....	52
3.06 Cummins Engine Fan Drive Assembly.....	54
3.07 Cummins Engine Clutch Assembly.....	56
3.08 Clutch HPTO Assembly.....	58
3.09 Clutch Kit.....	60
3.10 Clutch Kit (Cup, Idler Gear, Shaft & Housing).....	62
3.11 Hydraulic Pump Assembly.....	64
3.12 Kit: A/C Cummins Engine.....	68
3.13 Cummins Engine Electrical Assembly.....	70

## **Section 4 - Engine Shrouding, Ladder Assembly, Platforms, Safety Signs & Decals**

4.01 Cummins Engine Shroud Assembly.....	72
4.02 Cummins Engine Radiator Shroud Assembly.....	74
4.03 Upper Platform Assembly.....	76
4.04 Cab Platform Assembly.....	78
4.05 Ladder Assembly.....	80
4.06 Platform And Rail Assembly.....	82
4.07 Asm: LX1214 Decal Tunnel Side.....	84
4.08 Asm: LX1214 Decal Feed Table Side.....	86

## **Section 5 - Fuel Tank, Air Tank, Air System & Air Fittings**

5.01 Cummins Engine Fuel Tank Assembly.....	88
---	----



## Table of Contents (Continued)

---

5.02 Gladhand Assembly.....	90
5.03 Cummins Engine Air Tank Assembly.....	92
5.04 Brake Valve Asm.....	94
5.05 Air Valve Asm, Engine End.....	96
5.06 Air Valve Asm - Cab End.....	98
5.07 Relay Valve Asm - Cab End.....	100
5.08 Air Fittings.....	102

### **Section 6 - Cab, Cab Mounts, Cab Parts & Cab Electrical**

6.01 Cab Asm.....	106
6.02 Brake Pedal Asm.....	108
6.03 Right Hand Panel Assembly.....	110
6.04 Panel Cab Post Assembly.....	112
6.05 Air Conditioning & Heater Ducts.....	114
6.06 Air Conditioning, Heater Housing & Filters - Lower.....	116
6.07 Air Conditioning, Heater & Air Seat Wiring Harness.....	118
6.08 Air Conditioning & Heater Housing - Upper.....	120
6.09 Air Conditioning System - Evaporator Heater.....	122
6.10 Air Conditioning System - Water Valve Assembly.....	124
6.11 Armrest Adjusting Mechanism - RH.....	126
6.12 Armrest With Clove Box - RH.....	128
6.13 Cab Air Filter & Housing.....	130
6.14 Cab Sound Deadening Foam & Seals.....	132
6.15 Cab Glass & Door.....	134
6.16 Cab Panels & Floor Mat.....	138
6.17 Cab Wiring Harness.....	140
6.18 Convenience Outlets.....	142
6.19 Cup Holder.....	144
6.20 Operators Seat & Backrest.....	146
6.21 Overhead Console Panel.....	148
6.22 Seat Adjust Fore & Aft.....	150
6.23 Seat Shrouds & Training Seat.....	152
6.24 Cab Roof.....	154
6.25 Cab Roof Flood Lights.....	156
6.26 Mobile Radio Antenna.....	158
6.27 Radio, Speakers & Antenna.....	160
6.28 Trap Flood Lights.....	162
6.29 Cab Floor Panels & Cover Of Assembly Openings.....	164
6.30 Windshield Wiper.....	166

### **Section 7 - Feed Table, Tunnel Cleanout, Tunnel Assembly, Tunnel Extension, Bag Pan, Bag Boom, Cradle & Inoculant Applicator**

7.01 Asm: Center Feedtable.....	168
7.02 Feed Table Drive Assembly.....	170
7.03 Planetary Gearbox.....	172
7.04 Feed Table Wing Assembly.....	174





# Table of Contents

---

7.05 Feed Table Wheel Assembly.....	176
7.06 Hub And Spindle Assembly 8 Bolt.....	178
7.07 Feed Table Lift Assembly.....	180
7.08 Forage Dam Assembly.....	182
7.09 Asm: LX1214 14 Ft Base Tunnel.....	184
7.10 Asm: LX1214 12 Ft Base Tunnel.....	186
7.11 Asm: LX1214 Tunnel CO Hydraulics.....	188
7.12 Asm: LX1214 Anchor.....	190
7.13 Anchor Pointer Assembly.....	192
7.14 Asm: LX1214 14 Ft Tunnel Extension.....	194
7.15 Asm: LX1214 12 Ft Tunnel Extension.....	196
7.16 Bag Pan Assembly, 14 Ft. Hydraulic.....	198
7.17 Bag Boom Frame Assembly.....	200
7.18 Bag Boom Extension Assembly.....	204
7.19 Asm: LX1214 Bag Cradle.....	206
7.20 Liquid Applicator Tank Assembly.....	208
7.21 Liquid Applicator Assembly.....	210
7.22 Asm: Feedtable Bumper.....	212
7.23 Asm: Feedtable Skirt.....	214

## **Section 8 - Rotor, Rotor Planetary & Beater Bars**

8.01 Planetary Cooling Pump Assembly.....	216
8.02 Rotor Assembly.....	218
8.03 Upper Beater Bar Assembly.....	220
8.04 Lower Beater Bar Assembly.....	222
8.05 Rotor Belt Drive Assembly.....	224
8.06 Asm: Planetary GB 16002.....	226
8.07 Asm: Housing Planetary Drv Input (GB16002).....	228
8.08 Output Support (GB16002).....	230
8.09 Intermediate Flange (GB16002).....	232
8.10 Intermediate Flange RE3510 (GB16002).....	234
8.11 Gear Set (GB16002).....	236
8.12 Gear Set RE3510 (GB16002).....	238
8.13 Input Support (GB16002).....	240

## **Section 9 - Electrical, Lighting & Wire Harness**

9.01 Lighting Assembly.....	242
9.02 Battery Box Assembly.....	244
9.03 Junction Box - Door Panel Components.....	246
9.04 Junction Box - Side & Rear Connectors.....	248
9.05 Junction Box - Inside Rear Panel.....	250
9.06 Harness Kit.....	252
9.07 Electrical Connectors.....	254
9.08 Junction Box Assembly.....	258



## Table of Contents (Continued)

---

### Section 10 - Hydraulics

10.01 Hydraulic Tank Assembly.....	260
10.02 HPTO Tank Assembly.....	264
10.03 Hydraulic Jack Assembly.....	266
10.04 Hypac Cylinder Asm.....	268
10.05 Hyd Tube Asm.....	270
10.06 Hydraulic Tube Assembly.....	272
10.07 Hydraulic Valve Assembly Engine End.....	276
10.08 Hyd Valve Asm, Cab End.....	278
10.09 Clutch Manifold.....	280
10.10 Assembly: 8 in. Anchor Cylinder W/O Pulleys.....	282
10.11 Hydraulic Oil Glo Dye & Kits.....	284

### Section 11 - Kits & Misc. Items

11.01 Asm: LX1214 Parts Package.....	286
11.02 Remote Bag Boom Pendent.....	288

<b>Part Number Index.....</b>	<b>290</b>
-------------------------------	------------

<b>Part Description Index.....</b>	<b>297</b>
------------------------------------	------------



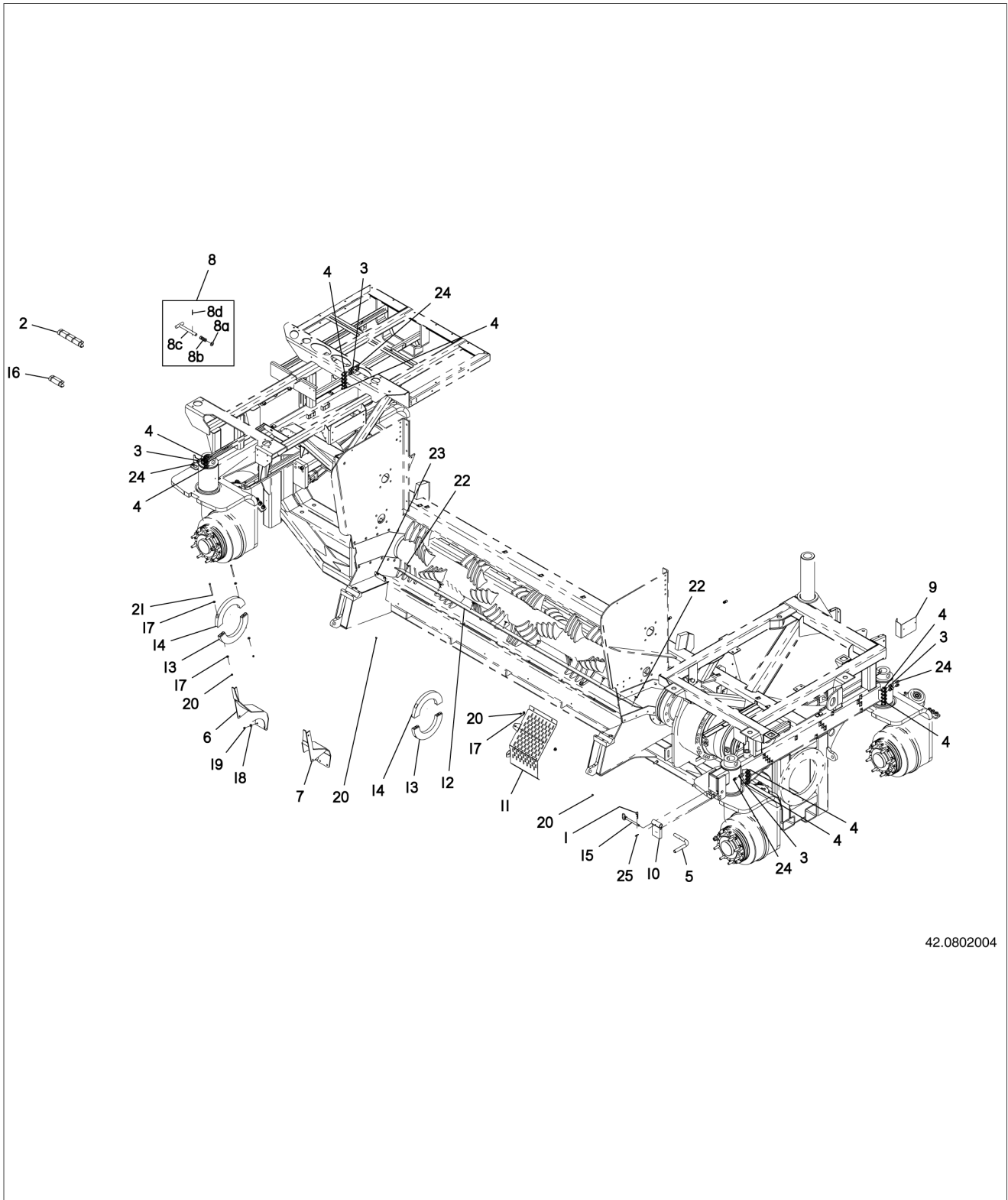
## Table of Contents (continued)

---

*This Page Intentionally Left Blank*

Section 1

# 1.01 Asm: Frame Parts LX1214

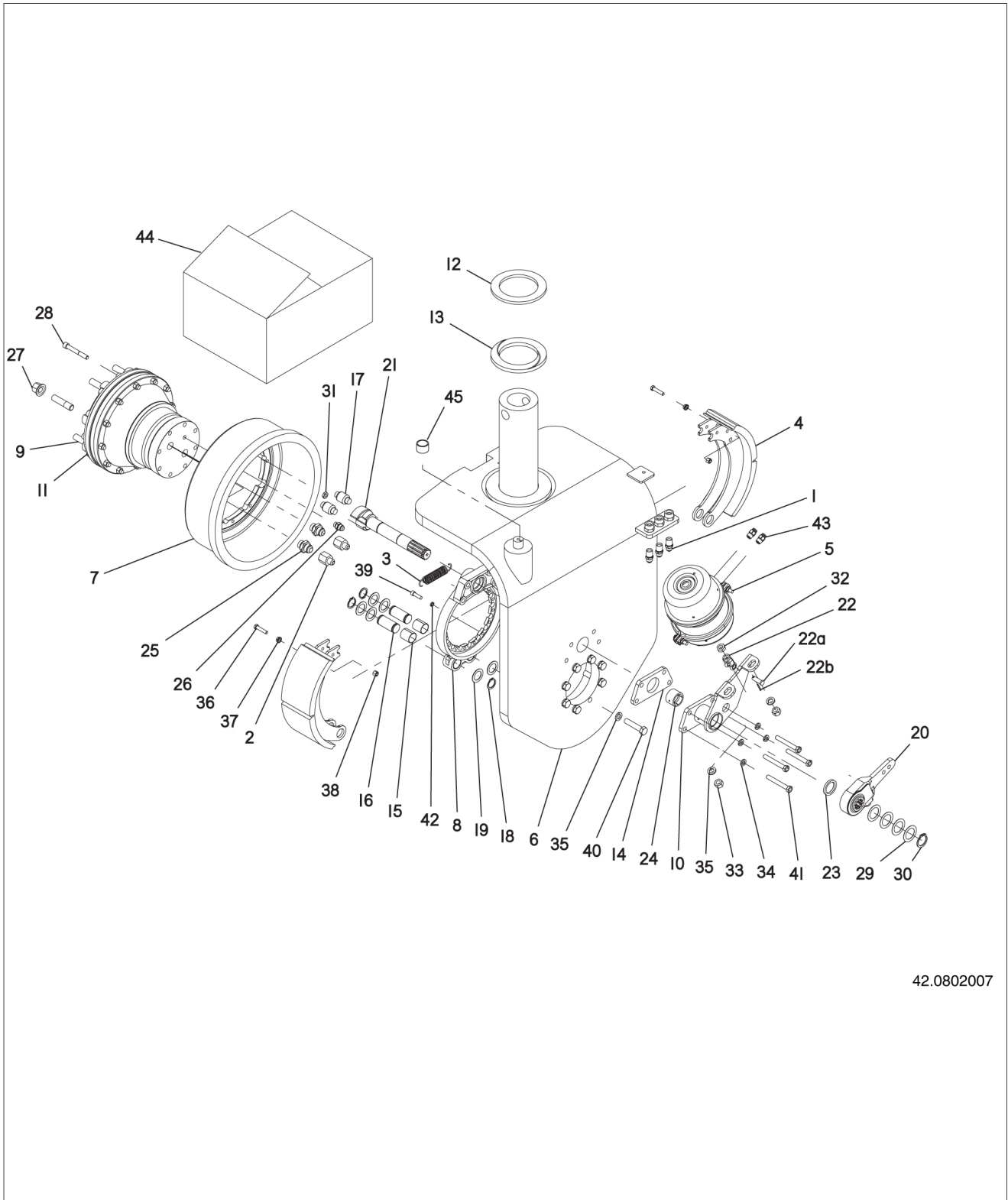


42.0802004

## 1.01 Asm: Frame Parts LX1214

Item	Part No.	Quantity	Description
1	05.73120	1	Pin - Hair 5/32 x 2-15/16 Znc
2	21.24493	8	Hose Protector Shield 12 in.
3	32.04687	6	Adapter, 1/2 FJIC x 3/8 FPT
4	42.1540591	18	Union, Bulkhead #8 MJ x #8 MJ
5	42.0700872	1	Pin: Wheel Lock Pivot
6	42.0800386	1	Hopper Filler Wld, CE
7	42.0800390	1	Hopper Filler Wld, EE
8	NSS	1	Feedtable Lock Pin Asm
8a	908157	1	Washer, Flat, 7/8 in. Stainless Steel Special
8b	908152	1	Spring, Compression, 1 in. OD x 2.5 in.
8c	42.0800697	1	Pin, Feed Table Lock
8d	09.72003	1	Pin, Roll, 3/16 x 2 in.
9	42.0801346.5	1	Guard: Module
10	42.0802125.8	1	Lock: Transport
11	42.0901287	1	Shield - Planetary Coupler
12	42.1120512	1	UHMW, Virgin 1/4 x 6 x 120
13	42.1202050	2	Seal, Rotor Cover-Inner
14	42.1202051	2	Seal, Rotor Cover-Outer
15	42.1550172	1	Pin - Hitch .625 Dia x 4
16	44.25781	12	Shield: Hose Protector 6 In.
17	900494	10	Washer, 5/16 Flat
18	900495	4	Washer: Flat 3/8 In. Std
19	906400	4	Nut: Hex Nylon Lk 3/8-16
20	906483	21	Hhdnut, 5/16-18 Nylock
21	907617	4	Hhdbl, 5/16-18 x 5-1/2, Gr 5
22	907726	15	Bolt, Elevator 5/16-18 x 1-1/4 in. Yellow Zinc
23	907727	4	Carblt - Stainless Steel 3/8-16 x 1-1/4 in.
24	908480	6	Connector: 3/8 MPT x 3/8 Tube
25	908560	1	Pin: 1/4 x 1-1/2 Hd Spiral

# 1.02 Asm: Wheel Column CE TS



42.0802007

## 1.02 Asm: Wheel Column CE TS

Item	Part No.	Quantity	Description
1	07.17862	3	Adapter, 1/2 M JIC To 1/2 MPT
2	32.01948	2	Adapter, 3/4 F JIC To 1/2 M JIC
3	42.0800836	1	Spring, Brake
4	42.0800849	2	Brake Shoe, Modified
5	42.0801064	1	Brake, Comb Spring 30/30 (mod)
6	42.0802271.8	1	Wdmt: CE TS, Wheel Column
7	42.1010057.8	1	Drum, Brake - Machined
8	42.1010058	1	Spider, Brake (mod Valmet)
9	42.1201000	8	Stud, Wheel Drive - Class 5
10	42.1201012.8	1	Bracket, S Cam Shaft - Wheel Brake
11	42.1201018.5	1	Drive, Wheel Class 5 Blk Bruin - Mchnd
12	42.1201021	1	Ring, Wheel Column Retaining 5 in.
13	42.1201023	1	Spacer - Wheel Column, Brnz
14	42.1201203.8	1	Plate, S Cam Brkt Clmn Mnt
15	42.1501178	2	Bushing, Brake Shoe Pin
16	42.1501178	2	Pin, Brake Shoe
17	42.1501178	2	Roller, Brake Shoe
18	42.1501178	4	Ring, Snap
19	42.1501178	6	Washer, Brake Shoe
20	42.1501180.8	1	Adjuster, Slack
21	42.1501181	1	Cam, S
22	42.1501185	1	Clevis, Air Can (Includes Pins)
22a	906507	1	Pin (Included With Clevis)
22b	900529	1	Pin (Included With Clevis)
23	42.1501189	1	Seal, Cam Brake
24	42.1501190	1	Bushing, Cam
25	42.1540321	2	Adapter, Black Bruin 12f4omxs
26	42.1540355	1	Adapter, Black Bruin 8f4omxs
27	42.1550151	8	Nut - Lug Flanged 3/4 in. NF W183
28	42.1550360	10	Sochdblt - 12mmx90mm G12.9 Din912
29	42.1550380	4	Washer, Cam
30	42.1550381	1	Ring, Snap
31	42.1550411	10	Hhdnut - M12-1.75 Jam
32	900360	1	Hhd Jam Nut, 5/8-18 Fin
33	900371	2	Hhdnut - 5/8-11
34	900506	4	Washer - Lock, 1/2
35	900508	10	Lockwasher, 5/8 Yellow Zinc
36	901296	2	Hhdbl - 3/8-16 x 1-3/4 G5
37	903437	2	Hhdnut - Lock 3/8 Whiz
38	906400	2	Nut: Hex Nylon Lk 3/8-16
39	907298	16	Shcs, 3/8-16 x 1-1/4 in.

## Section 1

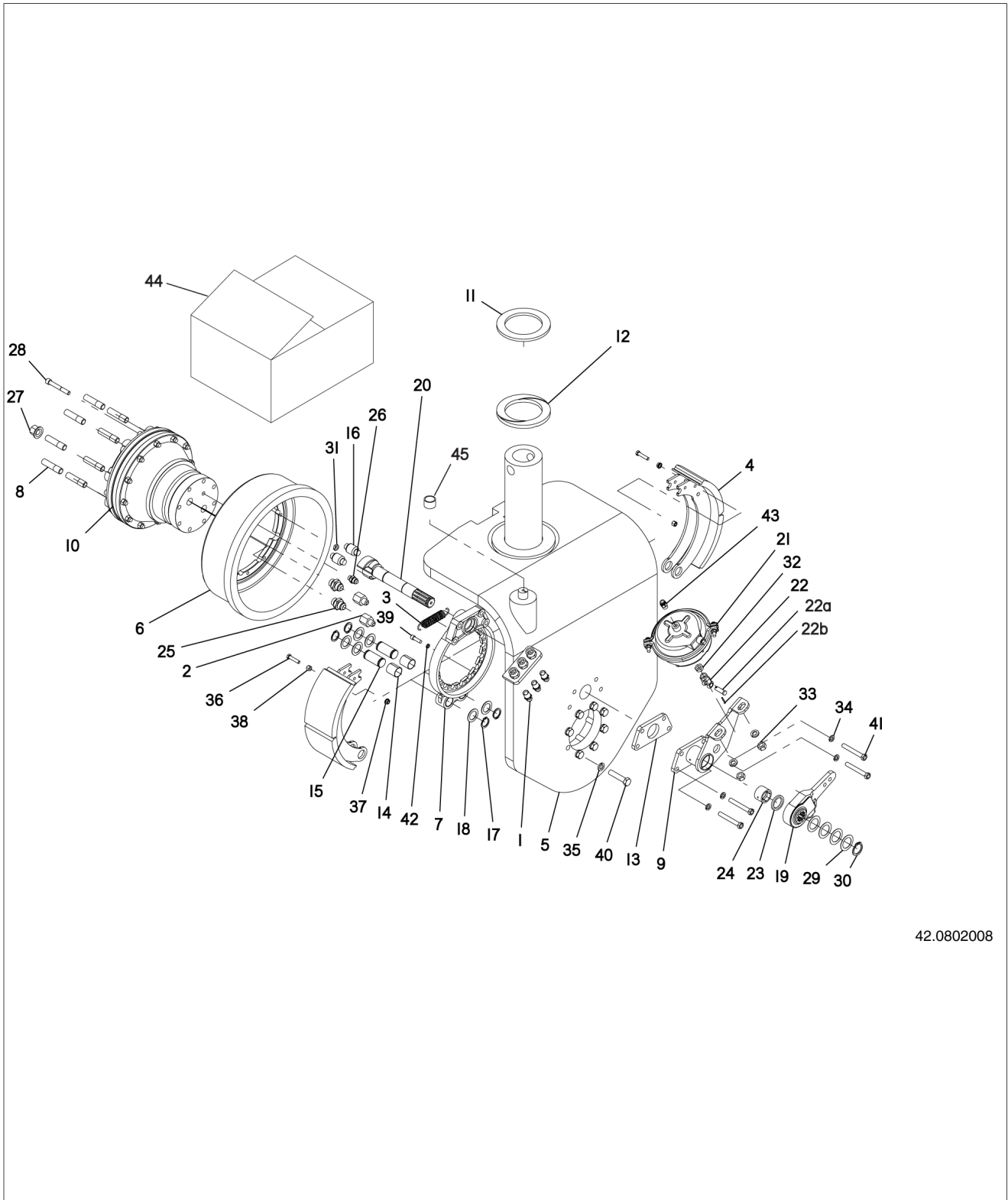
### 1.02 Asm: Wheel Column CE TS

Item	Part No.	Quantity	Description
40	907969	8	Hhdbl, G 10.9 M16 x 75
41	907961	4	Hhdbl, Gr8 1/2-13 x 3-3/4
42	908144	16	Lockwasher, 3/8 Spcl
43	908480	2	Connector: 3/8 MPT x 3/8 Tube
44	42.1501178	1	Kit, Brake hardware (Includes Items 15-19)
45	42.1502137	1	Bushing (Included with Item 6)



***This Page Intentionally Left Blank***

# 1.03 Asm: Wheel Column CE FTS



42.0802008

## 1.03 Asm: Wheel Column CE FTS

Item	Part No.	Quantity	Description
1	07.17862	3	Adapter, 1/2 M JIC To 1/2 MPT
2	32.01948	2	Adapter, 3/4 F JIC To 1/2 M JIC
3	42.0800836	1	Spring, Brake
4	42.0800849	2	Brake Shoe, Modified
5	42.0802272.8	1	Wdmt: CE FTS Wheel Column
6	42.1010057.8	1	Drum, Brake - Machined
7	42.1010058	1	Spider, Brake (mod Valmet)
8	42.1201000	8	Stud, Wheel Drive - Class 5
9	42.1201012.8	1	Bracket, S Cam Shaft - Wheel Brake
10	42.1201018.5	1	Drive, Wheel Class 5 Blk Bruin - Mchnd
11	42.1201021	1	Ring, Wheel Column Retaining 5 in.
12	42.1201023	1	Spacer - Wheel Column, Brnz
13	42.1201203.8	1	Plate, S Cam Brkt Clmn Mnt
14	42.1501178	2	Bushing, Brake Shoe Pin
15	42.1501178	2	Pin, Brake Shoe
16	42.1501178	2	Roller, Brake Shoe
17	42.1501178	4	Ring, Snap
18	42.1501178	6	Washer, Brake Shoe
19	42.1501180.8	1	Adjuster, Slack
20	42.1501181	1	Cam, S
21	42.1501184.8	1	Can, Air
22	42.1501185	1	Clevis, Air Can (Includes Pins)
22a	906507	1	Pin (Included With Clevis)
22b	900529	1	Pin (Included With Clevis)
23	42.1501189	1	Seal, Cam Brake
24	42.1501190	1	Bushing, Cam
25	42.1540321	2	Adapter, Black Bruin 12f4omxs
26	42.1540355	1	Adapter, Black Bruin 8f4omxs
27	42.1550151	8	Nut - Lug Flanged 3/4 in. Nf W183
28	42.1550360	10	Sochdblt - 12mmx90mm G12.9 Din912
29	42.1550380	4	Washer, Cam
30	42.1550381	1	Ring, Snap
31	42.1550411	10	Hhdnut - M12-1.75 Jam
32	900360	1	Hhd Jam Nut, 5/8-18 Fin
33	900371	2	Hhdnut - 5/8-11
34	900506	4	Washer - Lock, 1/2
35	900508	10	Lockwasher, 5/8 Yellow Zinc
36	901296	2	Hhdbl - 3/8-16 x 1-3/4 G5
37	903437	2	Hhdnut - Lock 3/8 Whiz
38	906400	2	Nut: Hex Nylon Lk 3/8-16
39	907298	16	Shcs, 3/8-16 x 1-1/4 in.

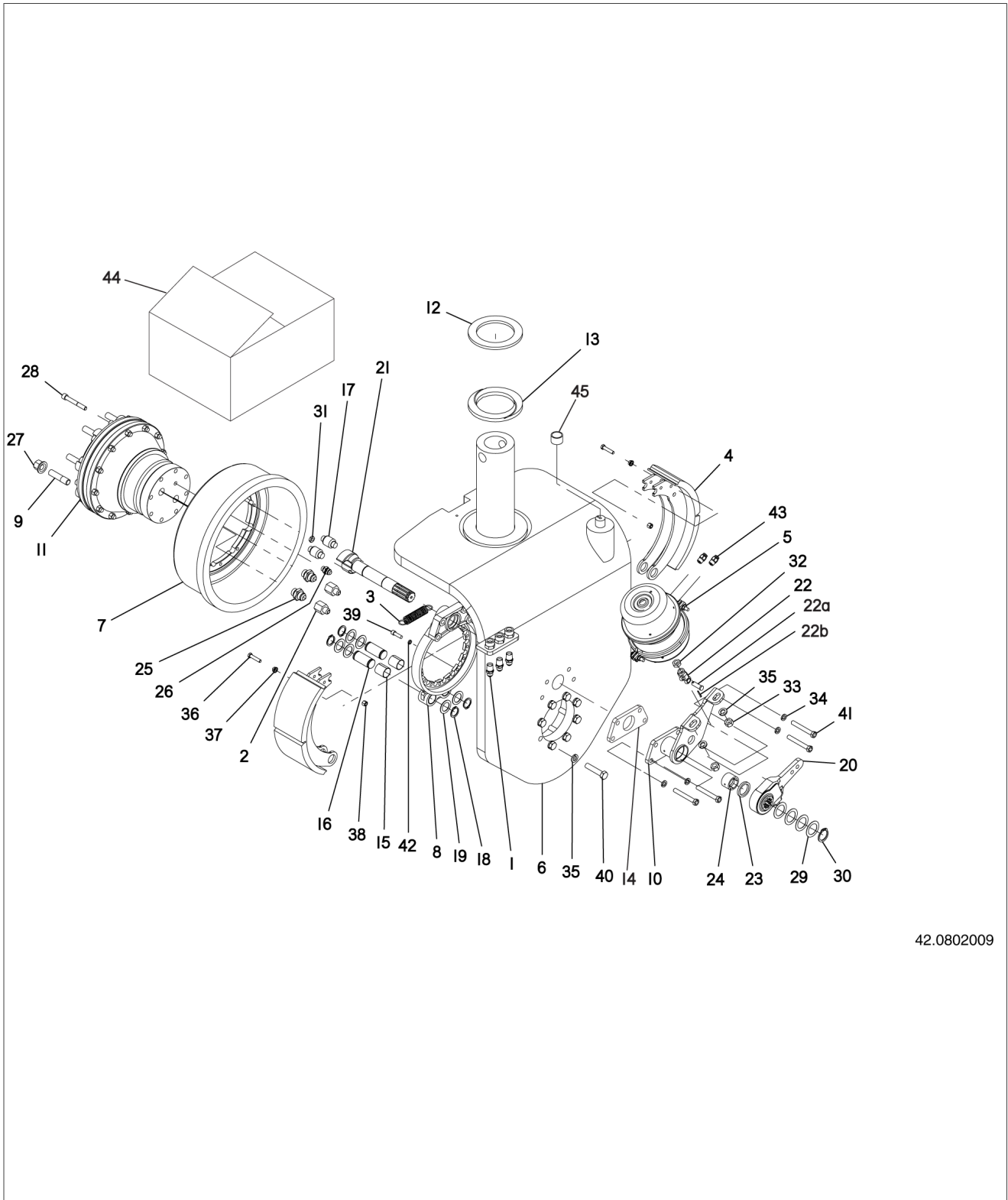
## Section 1

### 1.03 Asm: Wheel Column CE FTS

Item	Part No.	Quantity	Description
40	907969	8	Hhdbl, G 10.9 M16 x 75
41	907961	4	Hhdbl, Gr8 1/2-13 x 3-3/4
42	908144	16	Lockwasher, 3/8 Spcl
43	908480	1	Connector: 3/8 MPT x 3/8 Tube
44	42.1501178	1	Kit, Brake hardware (Includes Items 14-18)
45	42.1502137	1	Bushing (Included with Item 5)

***This Page Intentionally Left Blank***

# 1.04 Asm: Wheel Column EE TS



42.0802009

## 1.04 Asm: Wheel Column EE TS

Item	Part No.	Quantity	Description
1	07.17862	3	Adapter, 1/2 M JIC To 1/2 MPT
2	32.01948	2	Adapter, 3/4 F JIC To 1/2 M JIC
3	42.0800836	1	Spring, Brake
4	42.0800849	2	Brake Shoe, Modified
5	42.0801064	1	Brake, Comb Spring 30/30 (mod)
6	42.0802275.8	1	Wdmt: EE TS, Wheel Column
7	42.1010057.8	1	Drum, Brake - Machined
8	42.1010058	1	Spider, Brake (mod Valmet)
9	42.1201000	8	Stud, Wheel Drive - Class 5
10	42.1201012.8	1	Bracket, S Cam Shaft - Wheel Brake
11	42.1201018.5	1	Drive, Wheel Class 5 Blk Bruin - Mchnd
12	42.1201021	1	Ring, Wheel Column Retaining 5 in.
13	42.1201023	1	Spacer - Wheel Column, Brnz
14	42.1201203.8	1	Plate, S Cam Brkt Clmn Mnt
15	42.1501178	2	Bushing, Brake Shoe Pin
16	42.1501178	2	Pin, Brake Shoe
17	42.1501178	2	Roller, Brake Shoe
18	42.1501178	4	Ring, Snap
19	42.1501178	6	Washer, Brake Shoe
20	42.1501180.8	1	Adjuster, Slack
21	42.1501181	1	Cam, S
22	42.1501185	1	Clevis, Air Can (Includes Pins)
22a	906507	1	Pin (Included With Clevis)
22b	900529	1	Pin (Included With Clevis)
23	42.1501189	1	Seal, Cam Brake
24	42.1501190	1	Bushing, Cam
25	42.1540321	2	Adapter, Black Bruin 12f4omxs
26	42.1540355	1	Adapter, Black Bruin 8f4omxs
27	42.1550151	8	Nut - Lug Flanged 3/4 in. NF W183
28	42.1550360	10	Sochdblt - 12mmx90mm G12.9 Din912
29	42.1550380	4	Washer, Cam
30	42.1550381	1	Ring, Snap
31	42.1550411	10	Hhdnut - M12-1.75 Jam
32	900360	1	Hhd Jam Nut, 5/8-18 Fin
33	900371	2	Hhdnut - 5/8-11
34	900506	4	Washer - Lock, 1/2
35	900508	10	Lockwasher, 5/8 Yellow Zinc
36	901296	2	Hhdbl - 3/8-16 x 1-3/4 G5
37	903437	2	Hhdnut - Lock 3/8 Whiz
38	906400	2	Nut: Hex Nylon Lk 3/8-16
39	907298	16	Shcs, 3/8-16 x 1-1/4 in.

## Section 1

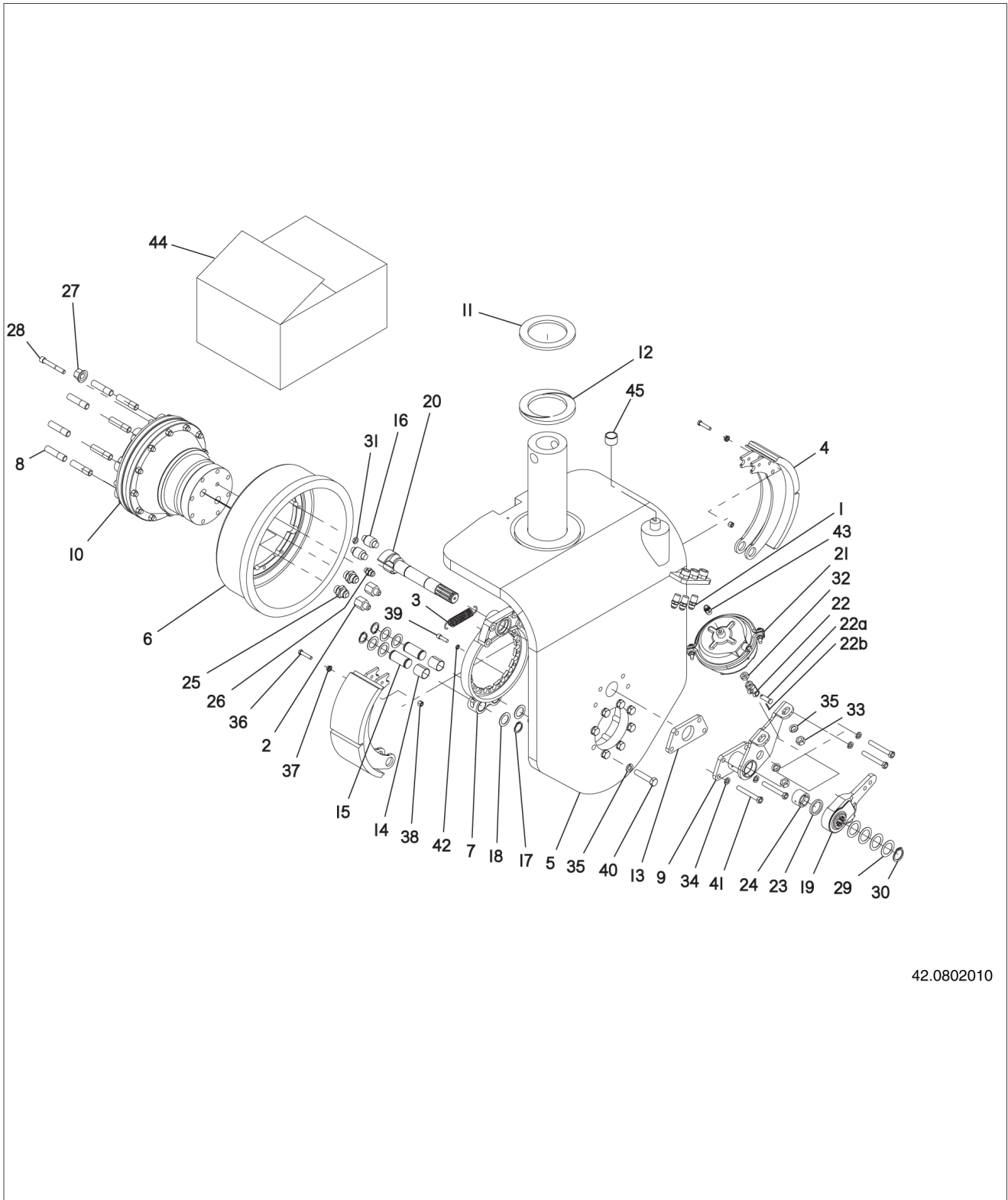
### 1.04 Asm: Wheel Column EE TS

Item	Part No.	Quantity	Description
40	907969	8	Hhdbl, G 10.9 M16 x 75
41	907961	4	Hhdbl, Gr8 1/2-13 x 3-3/4
42	908144	16	Lockwasher, 3/8 Spcl
43	908480	2	Connector: 3/8 MPT x 3/8 Tube
44	42.1501178	1	Kit, Brake hardware (Includes Items 15-19)
45	42.1502137	1	Bushing (Included with Item 6)



***This Page Intentionally Left Blank***

# 1.05 Asm: Wheel Column EE FTS



42.0802010

## 1.05 Asm: Wheel Column EE FTS

Item	Part No.	Quantity	Description
1	07.17862	3	Adapter, 1/2 M JIC To 1/2 MPT
2	32.01948	2	Adapter, 3/4 F JIC To 1/2 M JIC
3	42.0800836	1	Spring, Brake
4	42.0800849	2	Brake Shoe, Modified
5	42.0802274.8	1	Wdmt: EE FTS Wheel Column
6	42.1010057.8	1	Drum, Brake - Machined
7	42.1010058	1	Spider, Brake (mod Valmet)
8	42.1201000	8	Stud, Wheel Drive - Class 5
9	42.1201012.8	1	Bracket, S Cam Shaft - Wheel Brake
10	42.1201018.5	1	Drive, Wheel Class 5 Blk Bruin - Mchnd
11	42.1201021	1	Ring, Wheel Column Retaining 5 in.
12	42.1201023	1	Spacer - Wheel Column, Brnz
13	42.1201203.8	1	Plate, S Cam Brkt Clmn Mnt
14	42.1501178	2	Bushing, Brake Shoe Pin
15	42.1501178	2	Pin, Brake Shoe
16	42.1501178	2	Roller, Brake Shoe
17	42.1501178	4	Ring, Snap
18	42.1501178	6	Washer, Brake Shoe
19	42.1501180.8	1	Adjuster, Slack
20	42.1501181	1	Cam, S
21	42.1501184.8	1	Can, Air
22	42.1501185	1	Clevis, Air Can (Includes Pins)
22a	906507	1	Pin (Included With Clevis)
22b	900529	1	Pin (Included With Clevis)
23	42.1501189	1	Seal, Cam Brake
24	42.1501190	1	Bushing, Cam
25	42.1540321	2	Adapter, Black Bruin 12f4omxs
26	42.1540355	1	Adapter, Black Bruin 8f4omxs
27	42.1550151	8	Nut - Lug Flanged 3/4 in. NF W183
28	42.1550360	10	Sochdblt - 12mmx90mm G12.9 Din912
29	42.1550380	4	Washer, Cam
30	42.1550381	1	Ring, Snap
31	42.1550411	10	Hhdnut - M12-1.75 Jam
32	900360	1	Hhd Jam Nut, 5/8-18 Fin
33	900371	2	Hhdnut - 5/8-11
34	900506	4	Washer - Lock, 1/2
35	900508	10	Lockwasher, 5/8 Yellow Zinc
36	901296	2	Hhdbl - 3/8-16 x 1-3/4 G5
37	903437	2	Hhdnut - Lock 3/8 Whiz
38	906400	2	Nut: Hex Nylon Lk 3/8-16
39	907298	16	Shcs, 3/8-16 x 1-1/4 in.

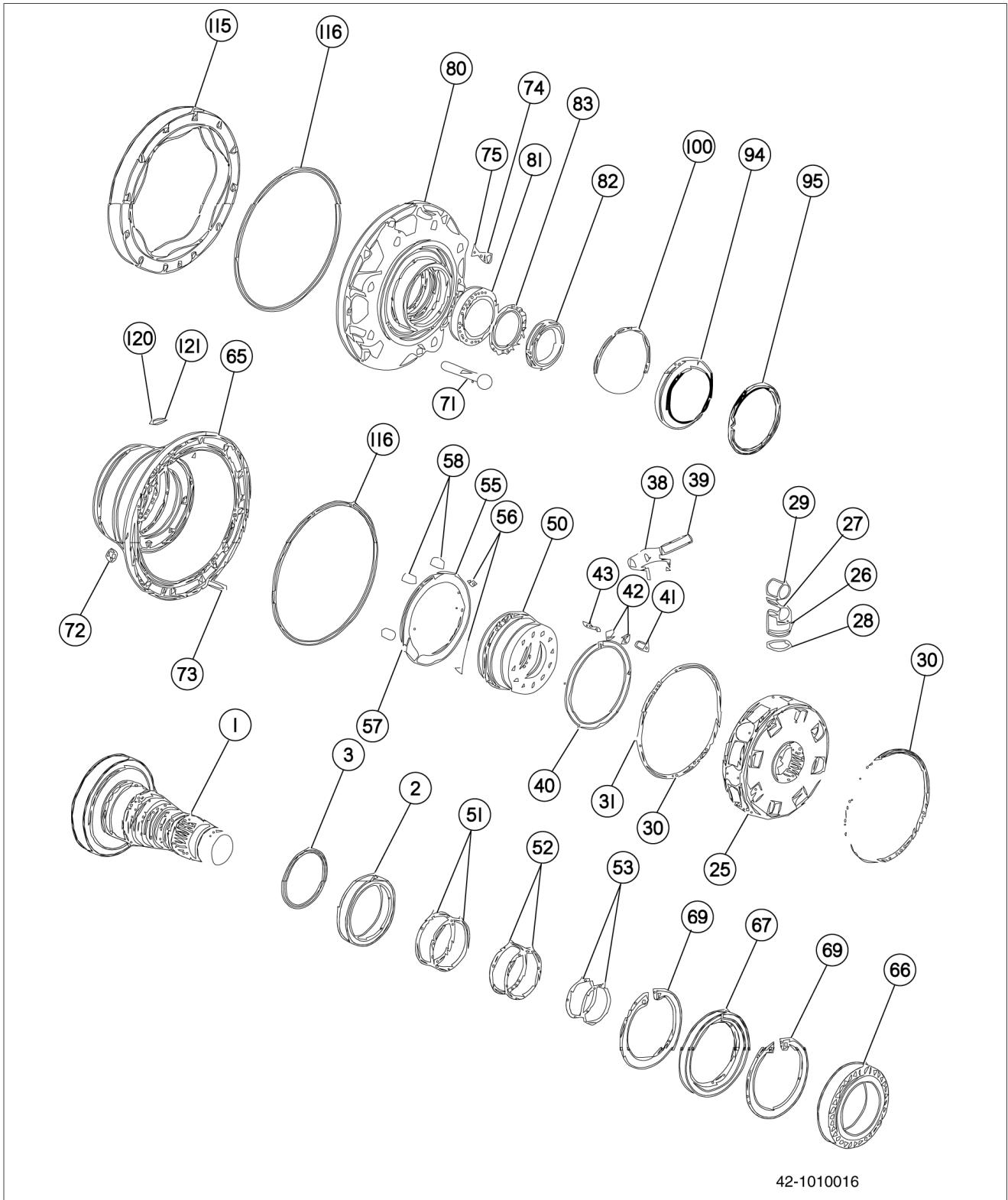
**Section 1**

**1.05 Asm: Wheel Column EE FTS**

<b>Item</b>	<b>Part No.</b>	<b>Quantity</b>	<b>Description</b>
40	907969	8	Hhdbl, G 10.9 M16 x 75
41	907961	4	Hhdbl, Gr8 1/2-13 x 3-3/4
42	908144	16	Lockwasher, 3/8 Spcl
43	908480	1	Connector: 3/8 MPT x 3/8 Tube
44	42.1501178	1	Kit, Brake hardware (Includes Items 14-18)
45	42.1502137	1	Bushing (Included with Item 5)

***This Page Intentionally Left Blank***

# 1.06 Drivemotor Breakdown



## 1.06 Drivemotor Breakdown

Item	Part No.	Quantity	Description
1	42.0000180	1	Shaft
2	42.1502197	1	Bush
3	42.0000503	1	O-ring
25	42.0000521	1	Cylinder Block
26	42.0000527	8	Piston
27	42.0000528	8	Slide Bearing
28	42.0000506	8	Piston Bearing
29	N/A	8	Roller
30	N/A	2	Guide Ring
31	N/A	8	Pin
38	N/A	4	Spring
39	N/A	4	Pipe
40	N/A	1	Ring
41	N/A	4	Bush
42	42.0000512	8	U- Washer
43	N/A	4	Screw
50	42.0000534	1	Distributor
51	42.1502012	2	Sealing Ring
52	42.1502067	2	Sealing Ring
53	42.0000262	2	Sealing Ring
55	N/A	1	Coupling Ring
56	42.0000537	2	Pin
57	42.0000498	2	Guide Pin
58	N/A	4	Spring
65	42.0000539	1	Rear Cover
66	42.0000502	1	Bearing
67	N/A	1	Shaft Seal
69	42.1502196	2	Retaining Ring
71	42.0000544	12	Screw
72	42.0000545	12	Nut
73	42.0000548	1	Pin
74	42.0000516	2	Bleeding Screw
75	42.1550421	2	Washer
80	42.1502065	1	Hub Cover
81	42.0000501	1	Bearing
82	42.0000511	1	Shaft Nut
83	42.0000514	1	Lock Washer
94	42.0000538	1	Cover
95	42.0000551	1	Retaining Ring
100	42.0000503	1	O-ring
115	N/A	1	Cam Ring

## Section 1

### 1.06 Drivemotor Breakdown

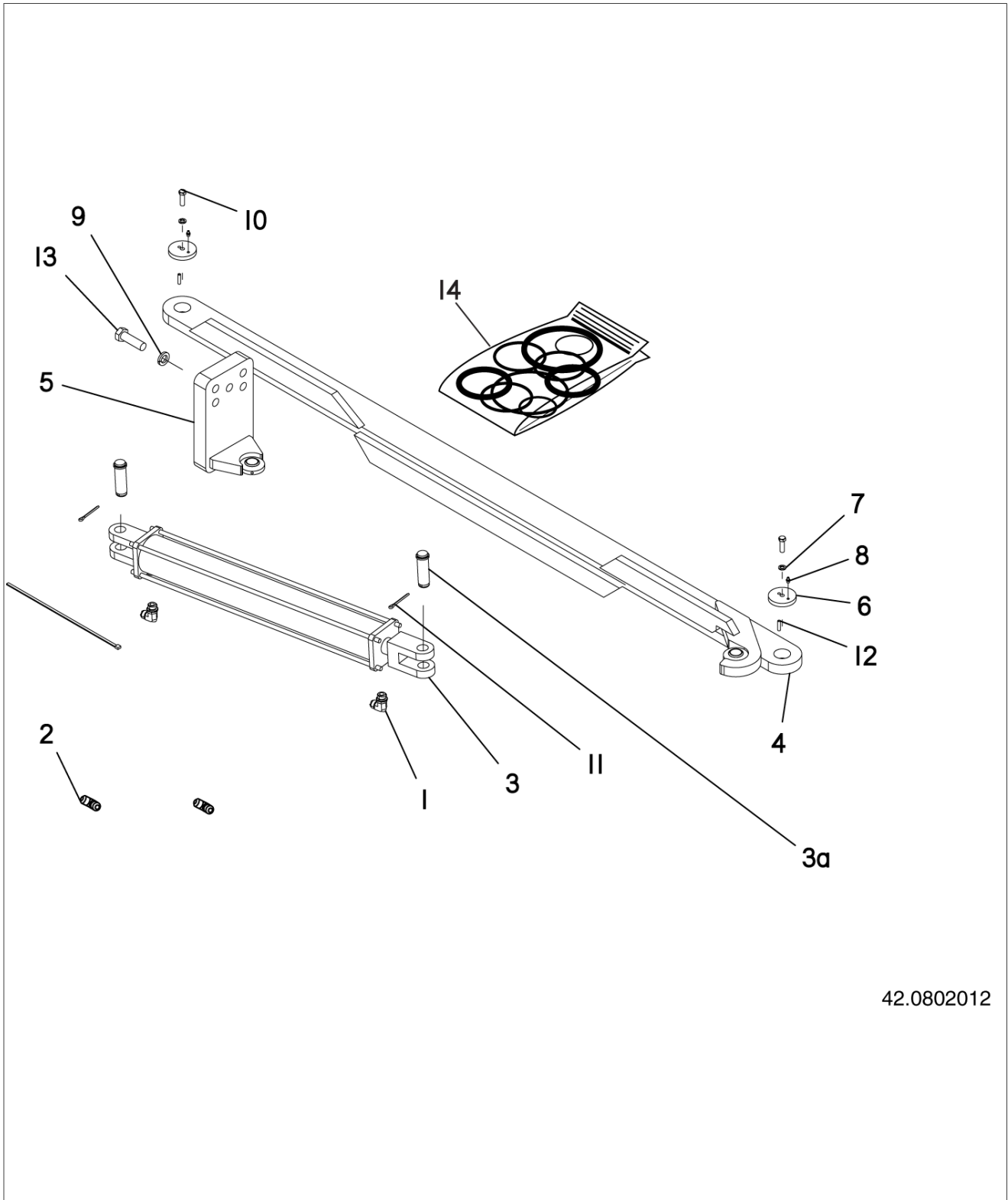
Item	Part No.	Quantity	Description
116	N/A	2	O-ring
120	42.0000540	1	Machine Plate
121	42.0000541	2	Rivet
135	42.1501107	1	Seal Kit (Includes 3, 67, 75, 100 & 116)
145	42.0000531	1	Free Coupling Device (Includes 38-43)
150	42.0000518	-	Cylinder Block Assembly & Free Coupler Device (Includes 25-43)



***This Page Intentionally Left Blank***

Section 1

# 1.07 Asm: LX1214 Steering CE

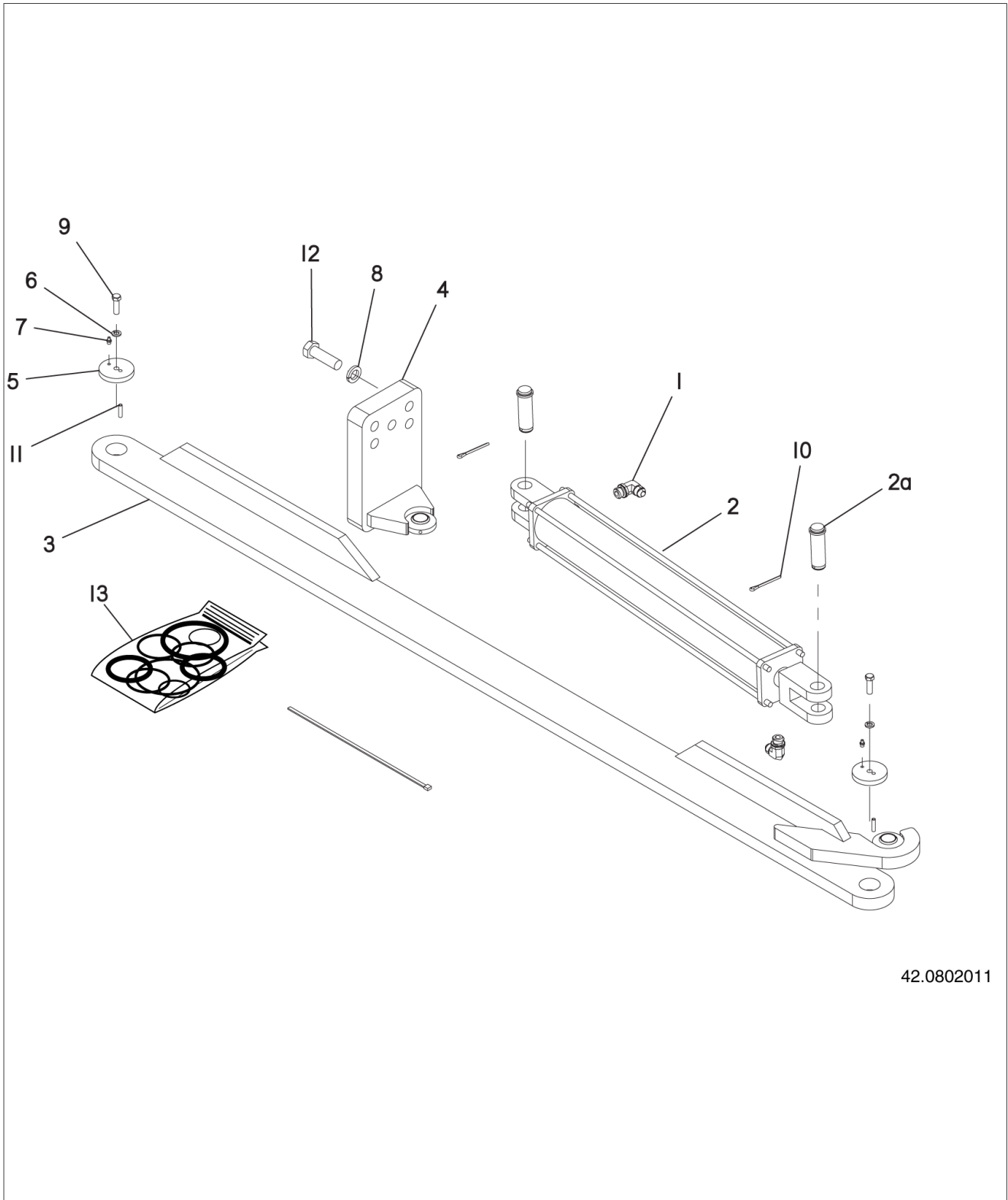


42.0802012

## 1.07 Asm: LX1214 Steering CE

Item	Part No.	Quantity	Description
1	09.74145	2	Elbow, -08 ORB x 1/2 M JIC
2	09.74150	2	Elbow 90d Union 3/4-16 37 Deg
3	42.0800721	1	Hyd Cylinder, 3 in. x 24 in. ORB
3a	42.1542091	2	Pin, Clevis
4	42.0802112.8	1	Wdmt: Tie Rod, CE
5	42.0802116.8	1	Wdmt: Mount, Turn Cylinder
6	42.1010088.8	2	Washer, Steering Tie Rod
7	900504	2	Washer-Lock 3/8 in.
8	900538	2	Grease Fitting, 1/4-28
9	900700	5	Lockwasher, 3/4 Yellow Zinc
10	902367	2	Hhdbl, Gr 5, 3/8-16 x 1-1/4
11	907427	2	Cotter Pin, 3/16 x 2 Stainless Steel
12	907532	2	Pin - Roll 1/4 in. x 1 in. Std. Coiled
13	907553	5	Hhdbl, Gr 8, 3/4-10 x 2-1/2
14	42.1500238	1	Seal Kit, Hydraulic Cylinder

# 1.08 Asm: LX1214 Steering EE

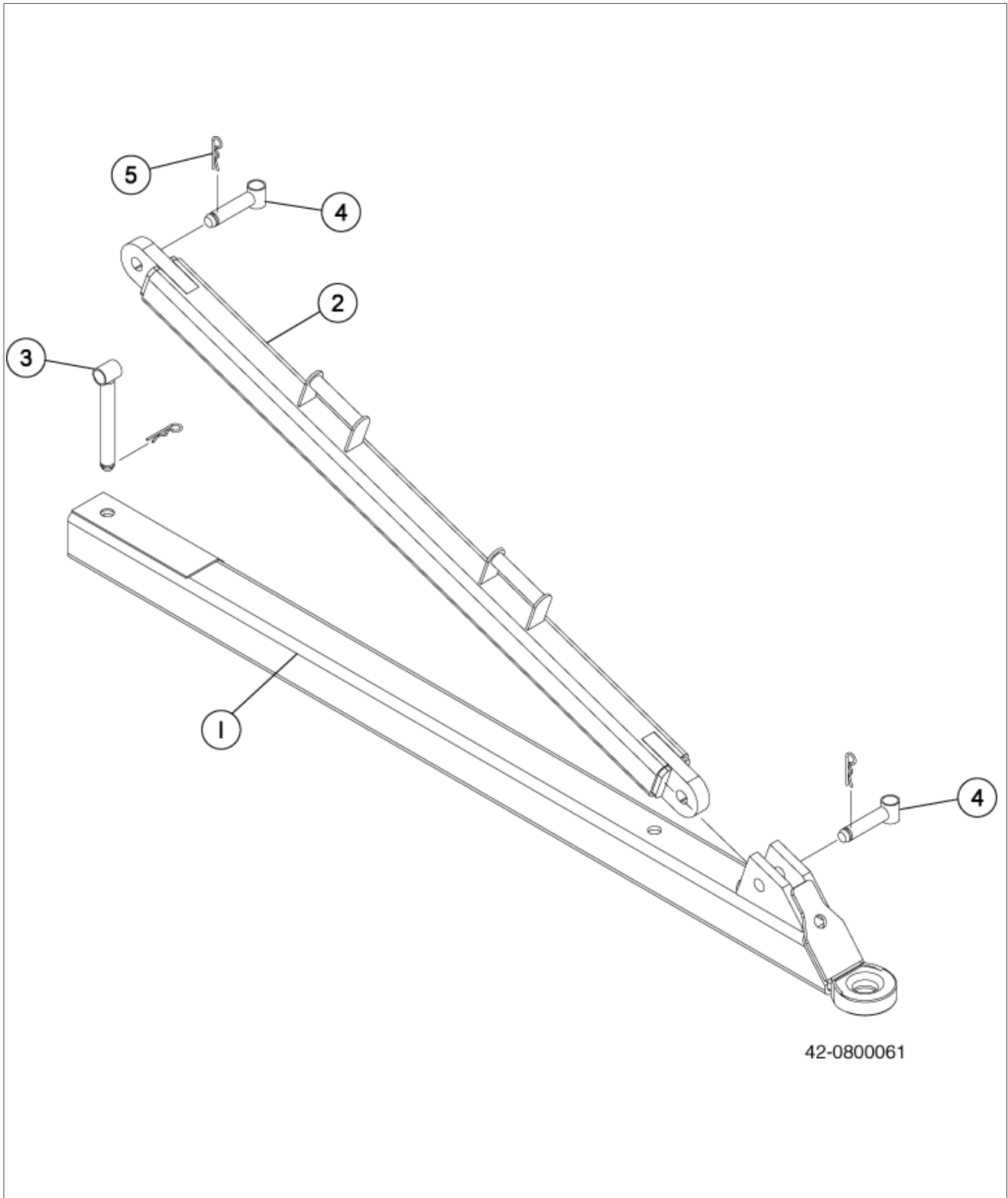


42.0802011

## 1.08 Asm: LX1214 Steering EE

Item	Part No.	Quantity	Description
1	09.74145	2	Elbow, -08 ORB x 1/2 M JIC
2	42.0800721	1	Hyd Cylinder, 3 in. x 24 in. ORB
2a	42.1542091	2	Pin, Clevis
3	42.0802110.8	1	Wdmt: Tie Rod EE
4	42.0802116.8	1	Wdmt: Mount, Turn Cylinder
5	42.1010088.8	2	Washer, Steering Tie Rod
6	900504	2	Washer-Lock 3/8 in.
7	900538	2	Grease Fitting, 1/4-28
8	900700	5	Lockwasher, 3/4 Yellow Zinc
9	902367	2	Hhdbl, Gr 5, 3/8-16 x 1-1/4
10	907427	2	Cotter Pin, 3/16 x 2 Stainless Steel
11	907532	2	Pin - Roll 1/4 in. x 1 in. Std. Coiled
12	907553	5	Hhdbl, Gr 8, 3/4-10 x 2-1/2
13	42.1500238	1	Seal Kit, Hydraulic Cylinder

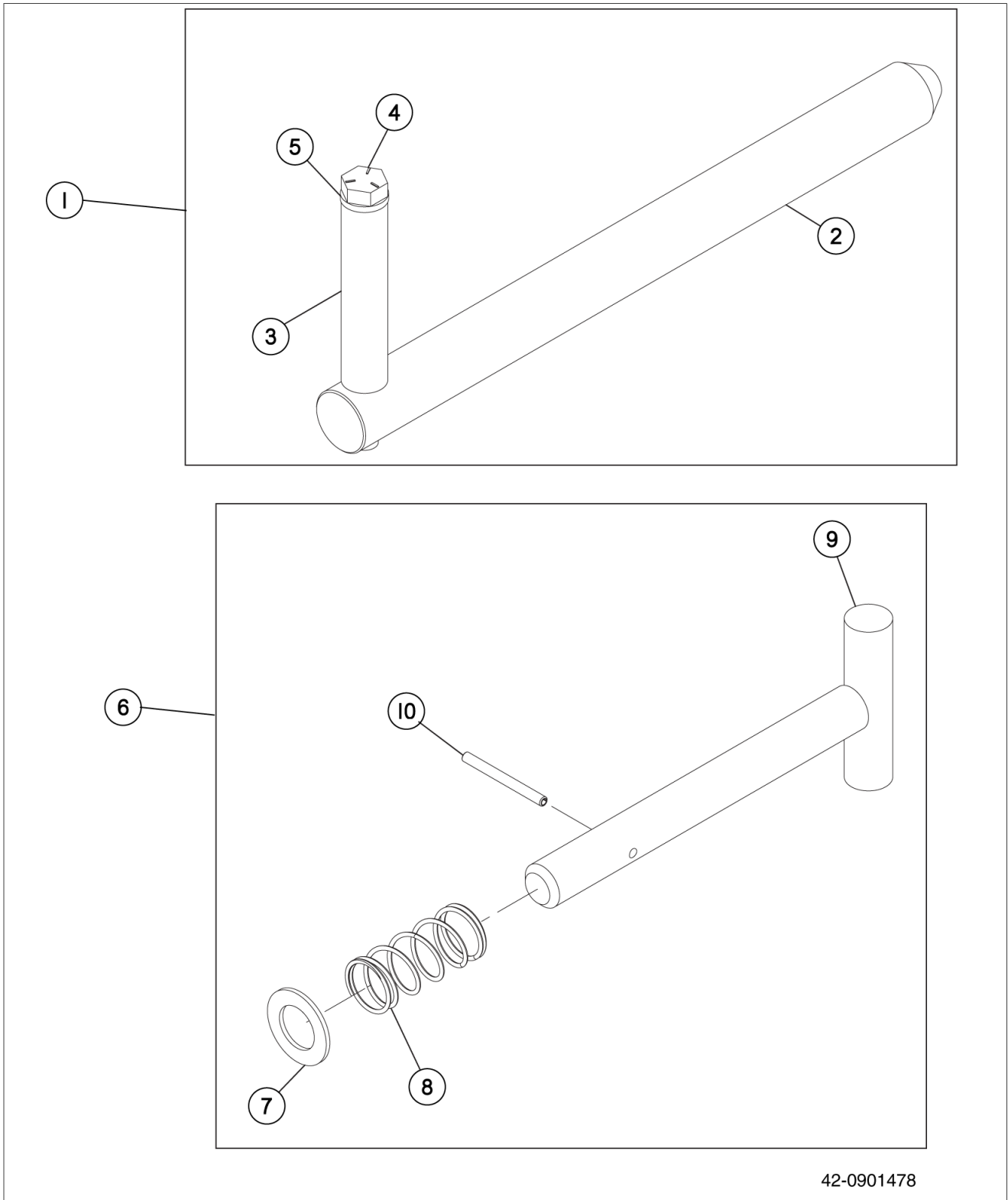
# 1.09 Tow Hitch Assembly



## 1.09 Tow Hitch Assembly

Item	Part No.	Quantity	Description
1	42.0800866	1	Hitch, Pintle Weldment
2	42.0800861	1	Pintle Hitch Brace Weldment
3	42.1110018	1	Pin, Pintle Hitch, 1-1/4 in. x 9-5/8 in.
4	42.1120046	2	Pin, Pintle Hitch Brace, 1-1/4 in. x 5-1/4 in.
5	09.73504	3	Hairpin, .177 in. x 3-11/16 in.

# 1.10 Steering & Feedtable Lock Pin Assembly

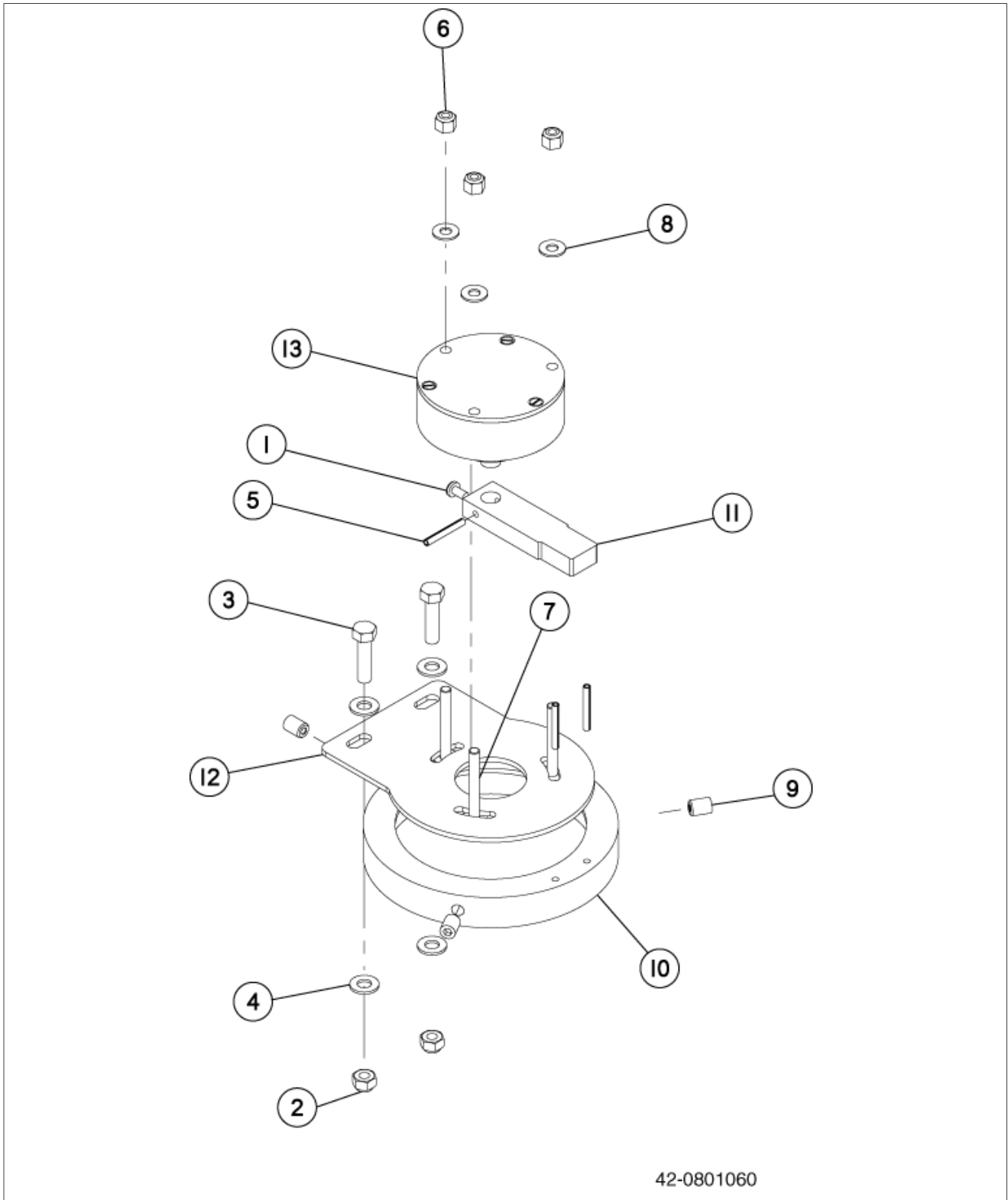




## 1.10 Steering & Feedtable Lock Pin Assembly

Item	Part No.	Quantity	Description
1	42.0901478	1	Steering Lock Assembly (Consists Of Items 2 thru 5)
2	42.0901476	1	Pin, Steering Lock
3	42.0901477	1	Spacer, Steering Lock
4	907076	1	Bolt, Hex, 1/2 in. x 5-1/2 in. Gr 5
5	900506	1	Washer, Lock, 1/2 in.
		1	Feed Table Pin Assembly
6	NSS	1	Feed Table Lock Pin Assembly (Consists Of Items 7 thru 10)
7	908157	1	Washer, Flat, 7/8 in. Stainless Steel Special
8	908152	1	Spring, Compression, 1 in. OD x 2.5 in.
9	42.0800697	1	Pin, Feed Table Lock
10	09.72003	1	Pin, Roll, 3/16 x 2 in.

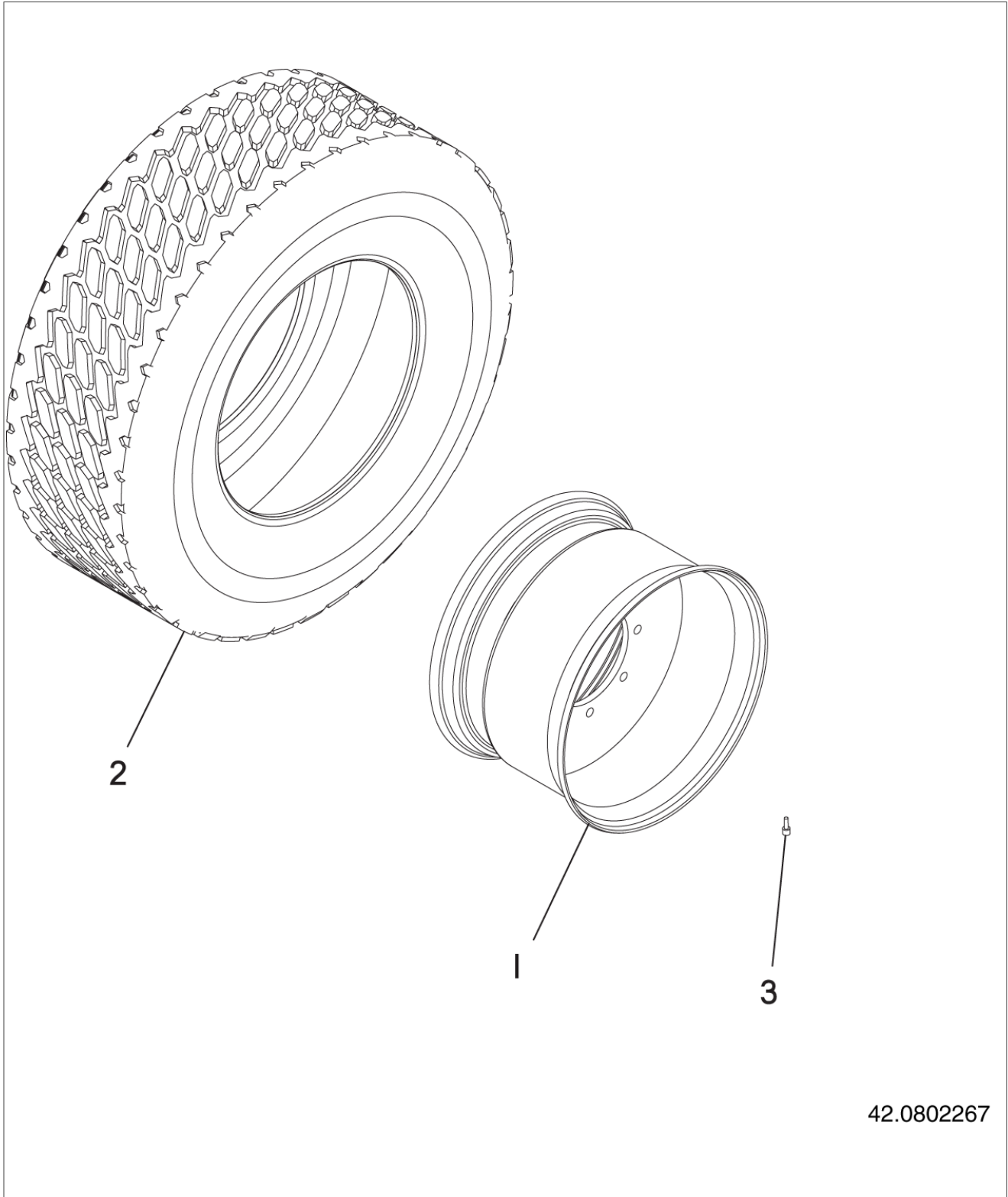
# 1.11 Steering Sensor Assembly



## 1.11 Steering Sensor Assembly

Item	Part No.	Quantity	Description
1	907403	2	Screw, Slotted Pan Hd. #10-32 x 3/8 in. Stainless Steel
2	907390	4	Nut, Hex, 5/16-18 Nylock Stainless Steel
3	904464	4	Bolt, Hex, 5/16-18 x 1-1/4 in. Gr 5
4	904324	8	Washer, Flat, 5/16 in.
5	904246	6	Pin, Spring, 5/32 in. x1-1/4 in.
6	904092	6	Nut, Hex Lock, 1/4-20 Nylock
7	903851	6	Bolt, Hex, 1/4-20 x 2 in. Gr 5
8	900493	12	Washer, Flat, 1/4 in. SAE Yellow Zinc
9	900445	6	Screw, Set, 3/8 in. x 1/2 in.
10	42.0801059	2	Ring, Steering Sensor
11	42.0801058.5	2	Arm, Steering Sensor
12	42.0800612	2	Plate, Sensor Mount
13	42.0800244	2	Rotary Sensor SRS 880

## 2.01 Asm: Lx1214 Wheel & Tire

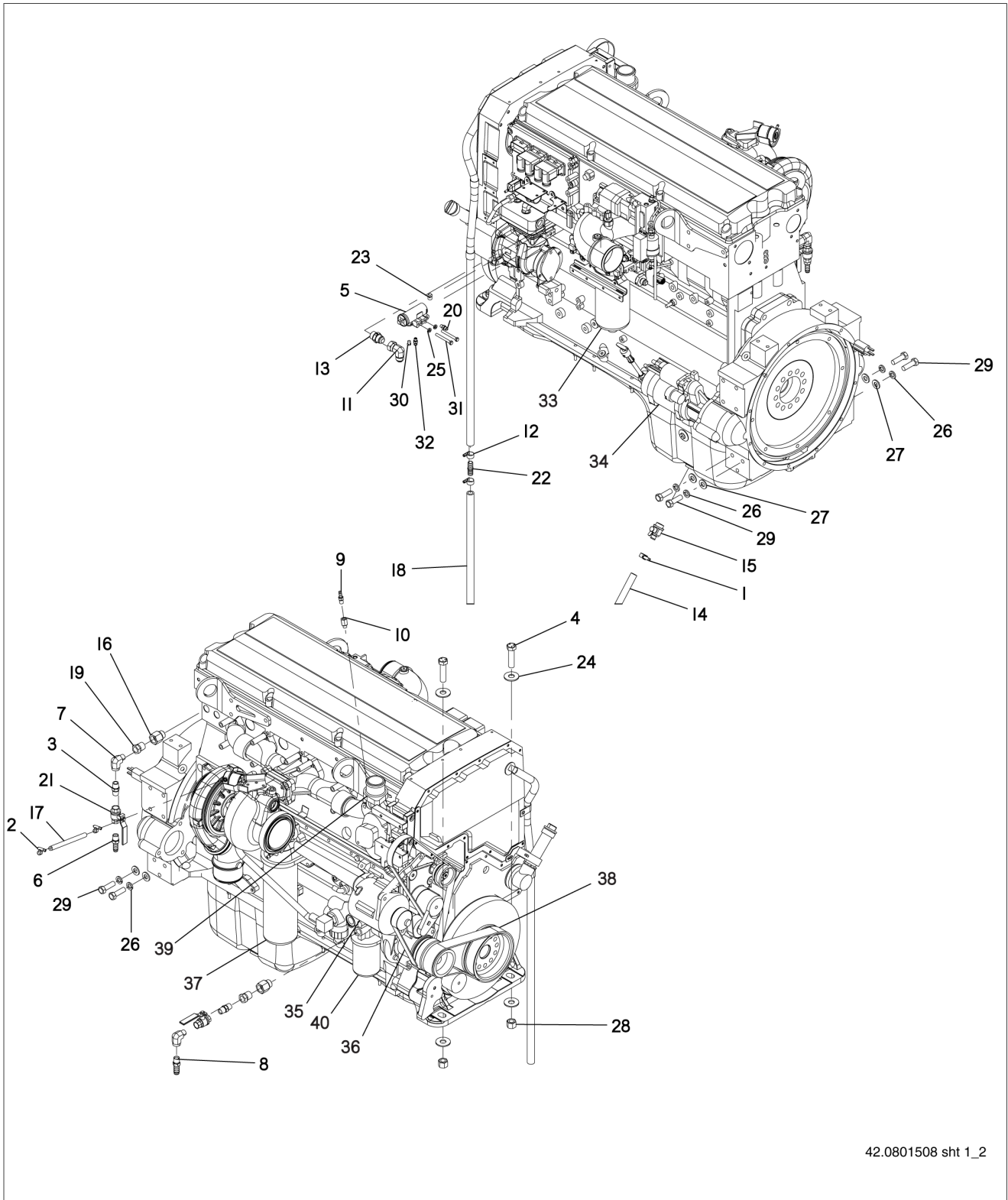


42.0802267

## 2.01 Asm: Lx1214 Wheel & Tire

Item	Part No.	Quantity	Description
1	42.0701537	4	Wheel: 22.5 x 13 Drive
2	42.0802266	4	Tire - 445/65R 22.5
3	42.1501528	4	Stem - Valve Tire 501

### 3.01 Cummins Engine Assembly

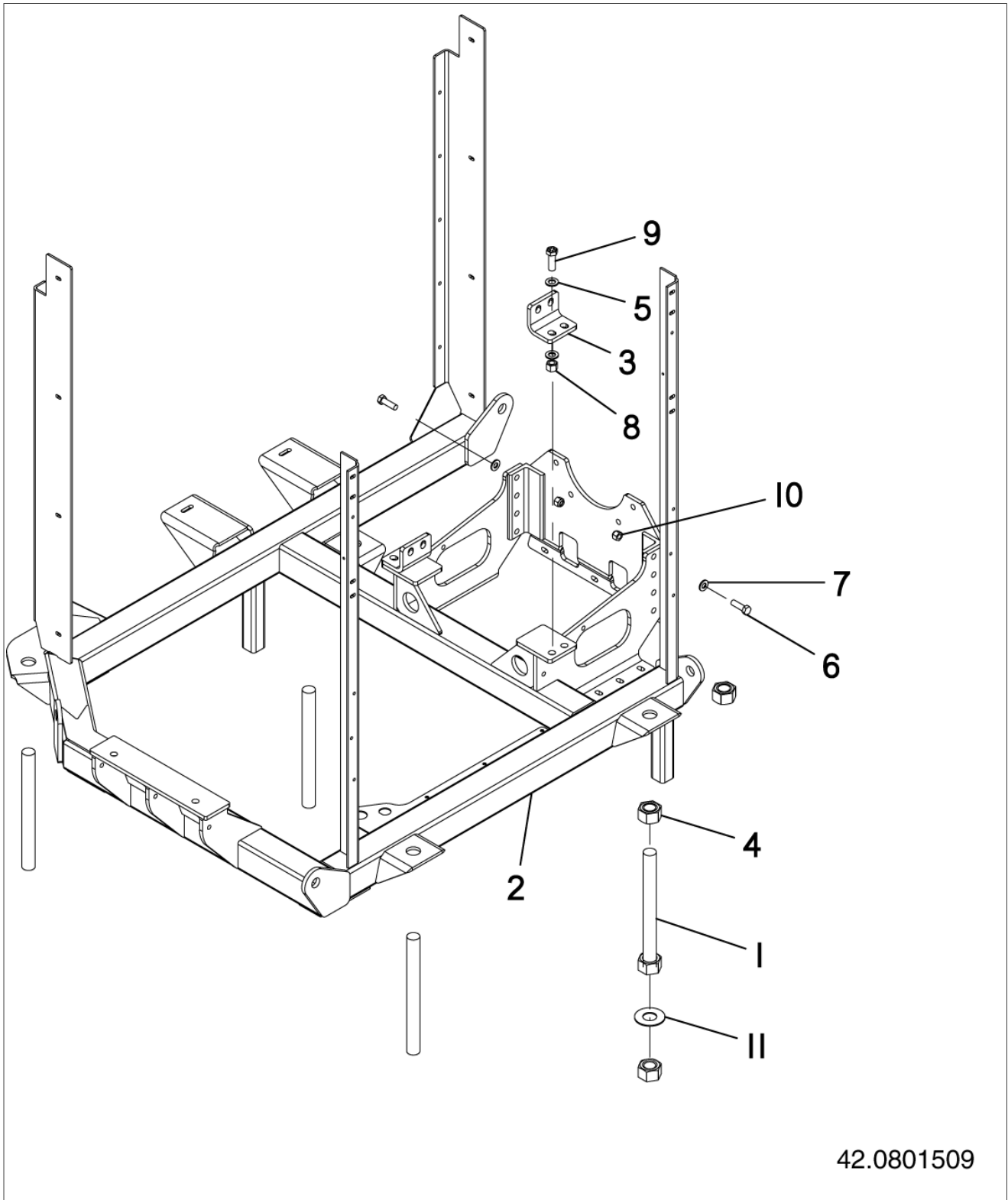


42.0801508 sht 1\_2

## 3.01 Cummins Engine Assembly

Item	Part No.	Quantity	Description
1	07.16542	1	Clamp, .56 in.-1.25 in. Hose
2	07.17210	2	Clamp, .218 in.-.625 in. Hose
3	09.74113	2	Nipple - Pipe 1/2 Hex
4	09.71756	2	Hhdbl, Gr 5 3/4-10 x 3
5	21.00167	1	Governor, Air Compress
6	21.00370	1	Fitting, 1/2 MPT x 5/8 HB Brass
7	21.20947	2	Elbow, 1/2 NPT Street 90d
8	21.20948	1	Fitting, 1/2 MPT x 3/4 Hb Brass
9	21.20949	1	Fitting, 1/4 NPT x 3/8 HB Brass
10	21.21832	1	Adapter - M12 x 1.5 1/4 in. FPT
11	32.01941	1	Elbow, 3/4 MJIC x Swivel 90
12	32.60566	2	Hose Clamp, 3/4 Rad
13	32.62166	1	Fitting -12 Flare/27m ORST Viton
14	42.0801270	1	Hose, Oil Drain
15	42.0801350	1	Valve: Oil Pan Shut Off
16	42.0801367	2	Adapter: M27-3/4F8 OHGS
17	42.0801394	2 Ft	Hose: Turbo Wastegate (Order Per Foot)
18	42.0801397	1	Hose: Cummins Lower Breather
19	42.1540388	2	Bushing: #12 MP x #8 FP
20	42.1540506	1	Connector: #4 MJ x #2 MP
21	42.1541716	2	Valve, Ball 1/2 in.
22	44.03172	1	Hose Barb Coupler, 5/8 Brass
23	900137	1	Plug, 1/4 NPT
24	900499	4	Washer, 3/4 Flat
25	900503	2	Washer - Lock 5/16 in.
26	900508	4	Lockwasher, 5/8 Yellow Zinc
27	904814	4	Washer - Flat 5/8 in. Ht
28	906349	2	Nut: Hex Nylok Lk 3/4-10
29	907488	4	Hhdbl, Gr 8, 5/8-11 x 2
30	908164	1	Breather Plug, 1/8 in. MPT
31	908281	2	Hhdbl, 5/16-18 x 2-3/4 Gr 5
32	908476	1	Connector: 1/8 MPT x 1/4 Tube
33	42.0801373	1	Filter: QSX Fuel
34	42.0801374	1	Starter: QSX
35	42.0801375	1	Alternator: QSX
36	42.0801377	1	Belt: QSX Serpentine
37	42.0801370	1	Filter: QSX Engine Oil
38	42.0801372	1	Belt: QSX Water Pump
39	42.0801376	1	Thermostat: QSX
40	42.0801371	1	Resister: QSX Corrosion

### 3.02 Cummins Engine Frame & Mount Assembly



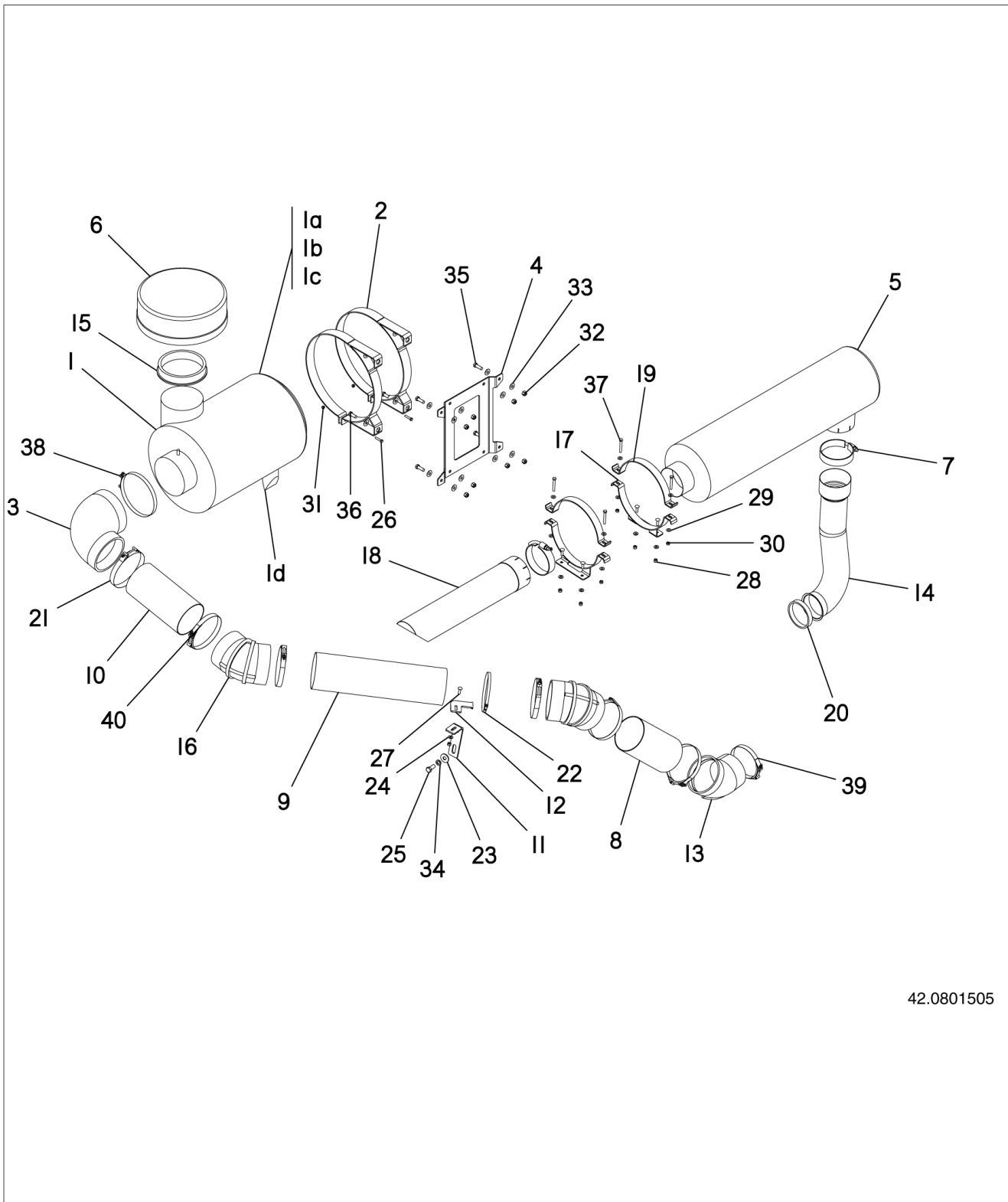
42.0801509



## 3.02 Cummins Engine Frame & Mount Assembly

Item	Part No.	Quantity	Description
1	42.0800971	4	Rod - Threaded 1-1/2 - 8 x 16.00
2	42.0801310.5	1	Frame: Engine Skid Complete Blk
3	42.0801322.5	2	Bracket: Rear Engine Mount Blk
4	42.1550332	16	Hhd Nut - 1-1/2 in.-8 Unc Hvy Yellow Zinc
5	903061	8	Flatwasher, 3/4 in. Sae
6	904253	8	Hhdblt, Gr 5, 5/8-11 x 2
7	904814	8	Washer - Flat 5/8 in. Ht
8	906349	4	Hhdnut, 3/4-10 Nylock
9	906963	4	Hhdblt, Gr 8, 3/4-10 x 2-1/4 Yellow Zinc
10	907589	8	Hhdnut, 5/8-18 Nylock
11	907940	4	Washer - Flat 1-1/2 Ht Zc

### 3.03 Cummins Engine Air Intake and Exhaust Assembly



42.0801505

### 3.03 Cummins Engine Air Intake and Exhaust Assembly

Item	Part No.	Quantity	Description
1	42.0800412	1	Air Cleaner
1a	42.0801143	1	Cover (Included With Air Cleaner)
1b	42.0800816	1	Filter (Primary) (Included With Air Cleaner)
1c	42.0800817	1	Filter (Safety) (Included With Air Cleaner)
1d	42.0801144	1	Vacuator Valve (Included with Air Cleaner)
2	42.0800413	2	Mtg Band - Air Cleaner
3	42.0800415	1	Elbow - 90d 8 x 7
4	42.0800512	1	Bracket, Air Cleaner Mount
5	42.0801323	1	Muffler: 6 in.
6	42.0801335	1	Pre-Cleaner includes clamp (use clamp 908657 for Service)
7	42.0801336	2	Clamp: 6 in. Bent Bolt
8	42.0801340	1	Tube: Alum 7.0 OD. x 12.0 x 1/8 W
9	42.0801341	1	Tube: Alum 7.0 OD. x 25.0 x 1/8 W
10	42.0801342	1	Tube: Alum 7.0 OD. x 13.87 x 1/8 W
11	42.0801344.5	1	Bracket: Air Intake Support
12	42.0801345.5	1	Plate: Air Intake Support
13	42.0801349	1	Elbow: Reducing 7 x 6 45d
14	42.0801351	1	Tube: Exhaust QSX
15	42.0801352	1	Reducer: Pre Cleaner 9 x 8
16	42.0801353	2	Elbow: 45d 7 in.
17	42.0801355	2	Wdmt: 12 in. Muffler Mount
18	42.0801358	1	Outlet: Exhaust
19	42.0802205	2	Strap: 12 In Dia Muffler Pntd
20	42.1501967	1	Clamp, Turbo 5 in.
21	42.1541455	1	Clamp: T-Bolt 8 In.
22	46.10194	1	Hose Clamp, 128hs
23	900498	1	Washer: Flat 5/8 In. Std
24	901105	5	Washer - Flat 3/8 in. SAE
25	901619	1	Hhdbl - G5 5/8-11 x 1-1/2
26	902920	2	Hhdbl - G5 5/16 x 1-1/2
27	903693	5	Carblt - 3/8-16 x 1 1/4 in.
28	906400	5	Nut: Hex Nylon Lk 3/8-16
29	907380	8	Washer: Stainless Steel Flat 3/8 In.
30	907386	4	Hhdnut, 3/8-16 Stainless Steel
31	907390	2	Hhdnut, 5/16-18 Stainless Steel Nylock
32	907392	8	Hhdnut, 1/2-13 Stainless Steel Nylock
33	907395	16	Washer, 1/2 Stainless Steel Flat
34	907419	1	Lockwasher, 5/8 Stainless Steel
35	907424	4	Hhdbl, 1/2-13 x 1-1/2 Stainless Steel
36	907563	4	Hhdbl, 1/2-13 x 1-1/4 Stainless Steel
37	907565	4	Hhdbl Stainless Steel 3/8-16 x 2-3/4

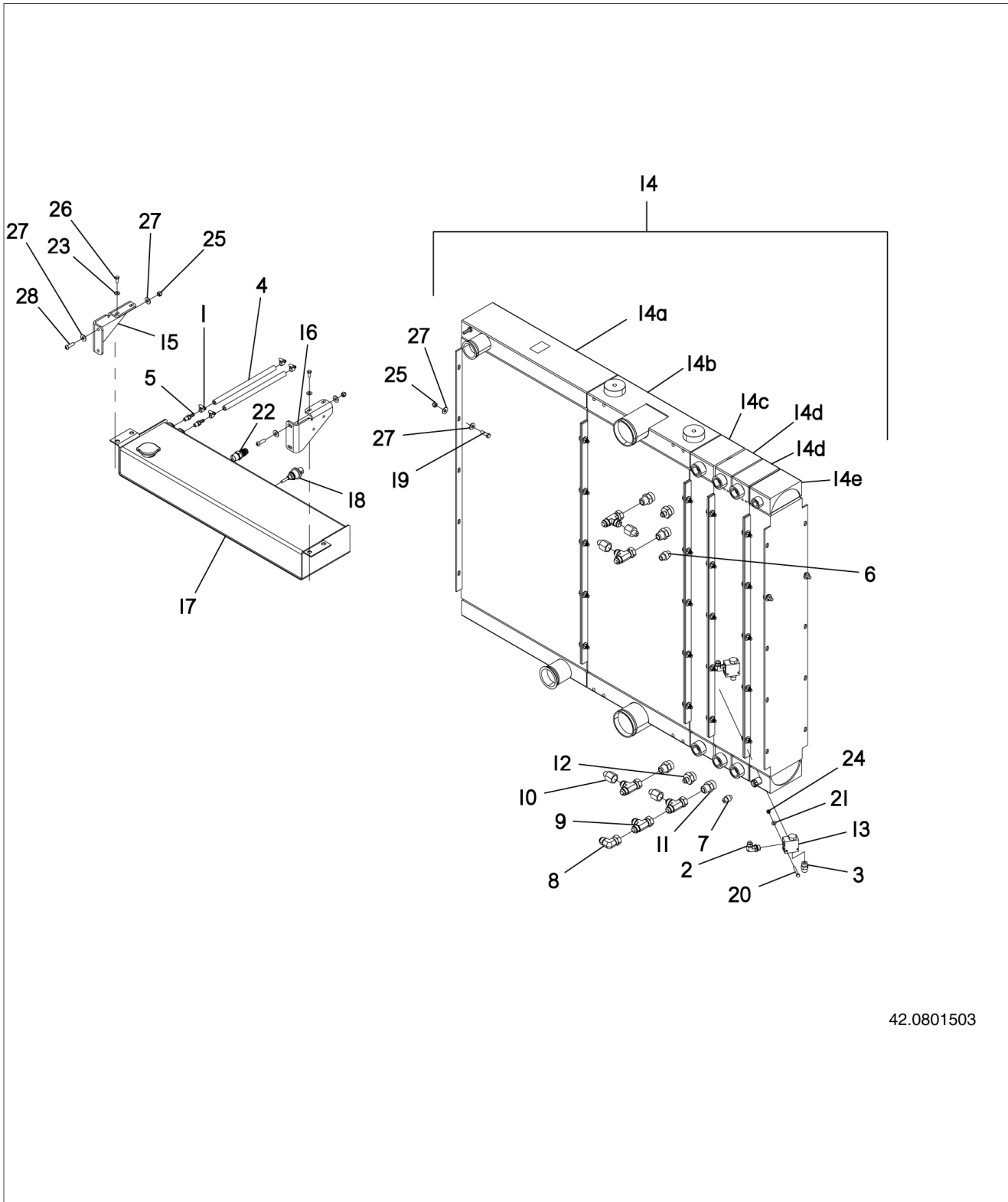
### Section 3

## 3.03 Cummins Engine Air Intake and Exhaust Assembly

Item	Part No.	Quantity	Description
38	908142	1	Clamp, T-Bolt 8.88 in.
39	908405	1	Clamp, T-Bolt 6.5 in. Hd W Fltg Bridge
40	908406	5	Clamp, T-Bolt 7.5 in. Hd W Fltg Bridge

***This Page Intentionally Left Blank***

### 3.04 Cummins Engine Radiator Assembly

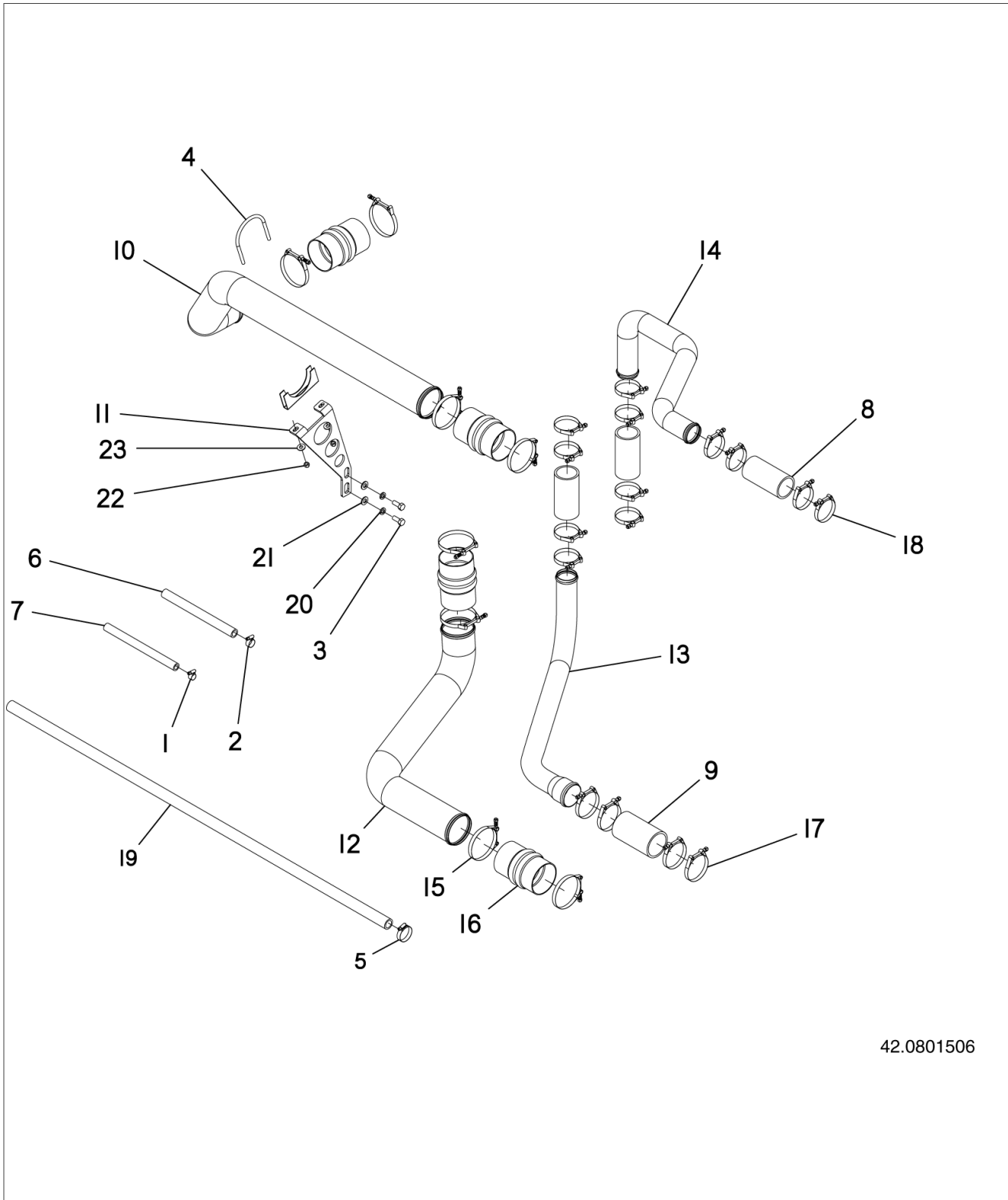


42.0801503

### 3.04 Cummins Engine Radiator Assembly

Item	Part No.	Quantity	Description
1	07.17210	4	Clamp, .218 in.-.625 in. Hose
2	09.74145	2	Elbow, -08 ORB x 1/2 MJIC
3	09.74155	2	Adapter, -08 ORB x 1/2 M JIC
4	11.80555	7 Ft	Hose, 3/8 in. Fuel (Order Per Foot)
5	21.20949	2	Fitting, 1/4 NPT x 3/8 HB Brass
6	21.31406	1	Fitting, Male #10 SAE SAE/#8 Refrigerant
7	21.47204	1	Fitting, -6 ORB To #6 A/c
8	32.01941	1	Elbow, 3/4 MJIC x Swivel 90
9	32.01945	5	Tee, 3/4 Swivel Run 37 Flare
10	32.01948	4	Adapter, 3/4 F JIC To 1/2 M JIC
11	32.01955	4	Adapter, 3/4 MJIC x -16 ORB
12	32.02103	2	Adapter - 1/2 M JIC x -16 ORB
13	32.04092	2	Valve, 30 Psi Check
14	42.0800002	1	Cooler Package (Includes Items 14a thru 14e)
14a	42.0800086	1	Radiator Section
14b	42.0800087	1	Charge Air Cooler Section
14c	42.0800088	1	Planetary Section
14d	42.0800089	2	Clutch Section
14e	42.0800091	1	Air Conditioning Section
15	42.0800349	1	Bracket, Surge Tank CE
16	42.0800350	1	Bracket, Surge Tank EE
17	42.0801327	1	Wdmt: Surge Tank X1114
18	42.0801369	1	Sensor: Coolant Level
19	902367	19	Hhdbl, Gr 5, 3/8-16 x 1-1/4
20	903851	4	Hhdbl - G5 1/4-20 x 2
21	907234	4	Washer: Stainless Steel Flat 1/4 In.
22	907266	1	Straight, 3/4 NPT x 1 HB Brass
23	907379	6	Washer, Stainless Steel 5/16 Flat
24	907389	4	Nut: Hex Stainless Steel Nylok 1/4-20
25	907391	23	Hhdnut, 3/8-16 Stainless Steel Nylock
26	907463	2	Hhdbl, 5/16-18 x 3/4 Stainless Steel
27	907465	46	Washer, 3/8 Wide Flat Stainless Steel
28	907984	4	Btndbl, 3/8-16 x 1-1/4 Stainless Steel

### 3.05 Cummins Engine Coolant and Air Tube Assembly

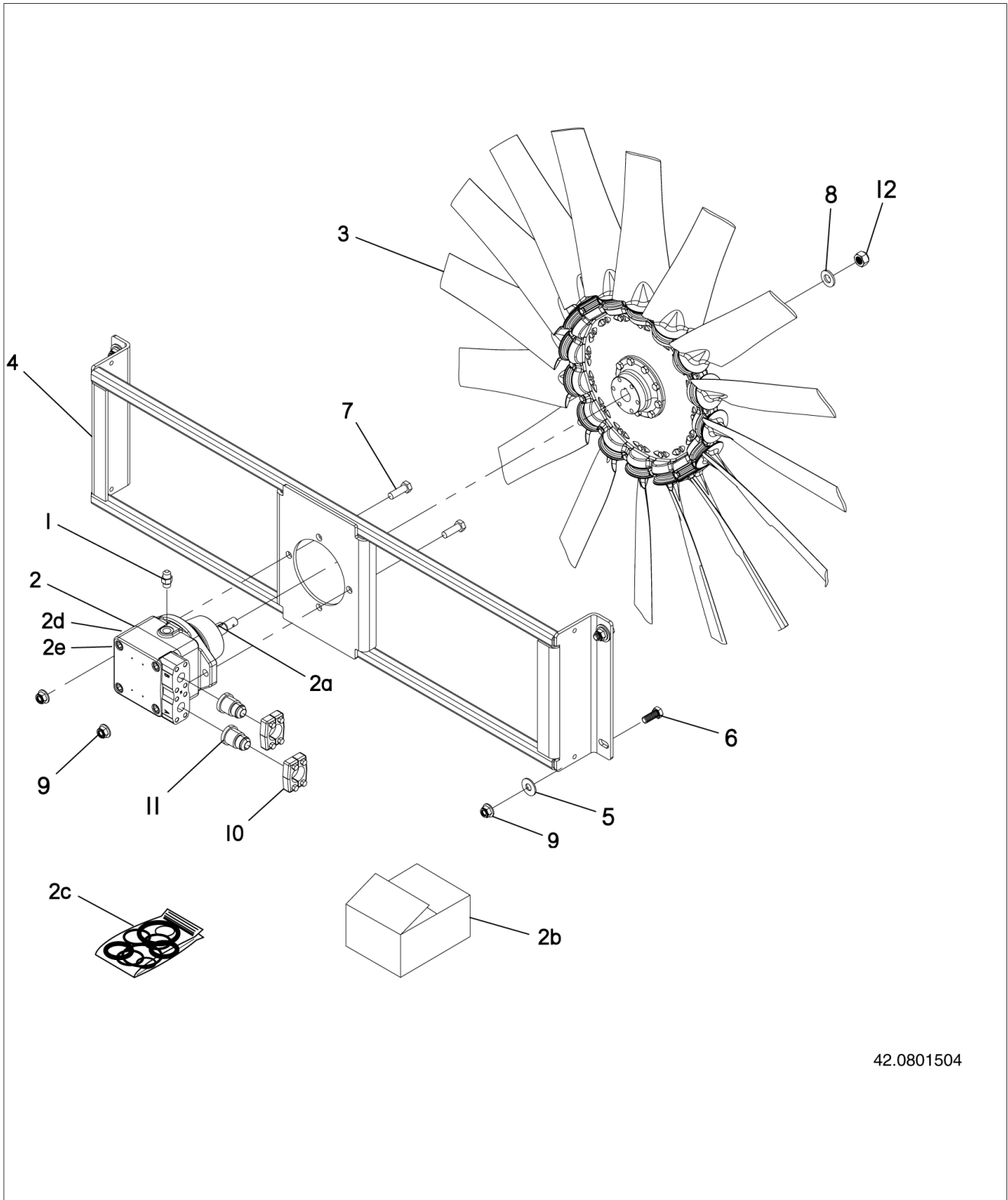




### 3.05 Cummins Engine Coolant and Air Tube Assembly

Item	Part No.	Quantity	Description
1	07.11697	4	Clamp, .562 in.-1.062 in. Hose
2	07.16542	2	Clamp, .56 in.-1.25 in. Hose
3	09.73803	2	Hhdbl - G8.8 M12-1.75 x 30
4	32.60567	1	Clamp, 4 in. Stainless Steel Muffler
5	32.60716	2	Hose Clamp, 1-1/4 Rad
6	32.60739	30 Ft	Hose, Heater 3/4 in. (Order Per Foot)
7	32.60740	30 Ft	Hose, Heater 5/8 in. (Order Per Foot)
8	42.0800444	3	Hose - Radiator Out
9	42.0800445	1	Hose - Radiator In
10	42.0801324	1	Tube: CAC Upper 4 in.
11	42.0801326.5	1	Bracket: Upper CAC Mount
12	42.0801337	1	Tube: Lower CAC
13	42.0801338	1	Tube: Radiator In
14	42.0801339	1	Tube: Radiator Out
15	42.1501309	8	Clamp, Turbo Breeze
16	42.1501968	4	Connector, Air To Air 4 in.
17	42.1540061	4	Clamp, 3-1/2 in. T-Bolt
18	42.1540065	12	Clamp, 3 in. T-Bolt
19	44.21691	1	Heater Hose, 1 in. Condor
20	900506	2	Washer - Lock, 1/2
21	901937	2	Washer, 1/2 Flat
22	907391	2	Hhdnut, 3/8-16 Stainless Steel Nylock
23	907465	2	Washer, 3/8 Wide Flat Stainless Steel

### 3.06 Cummins Engine Fan Drive Assembly

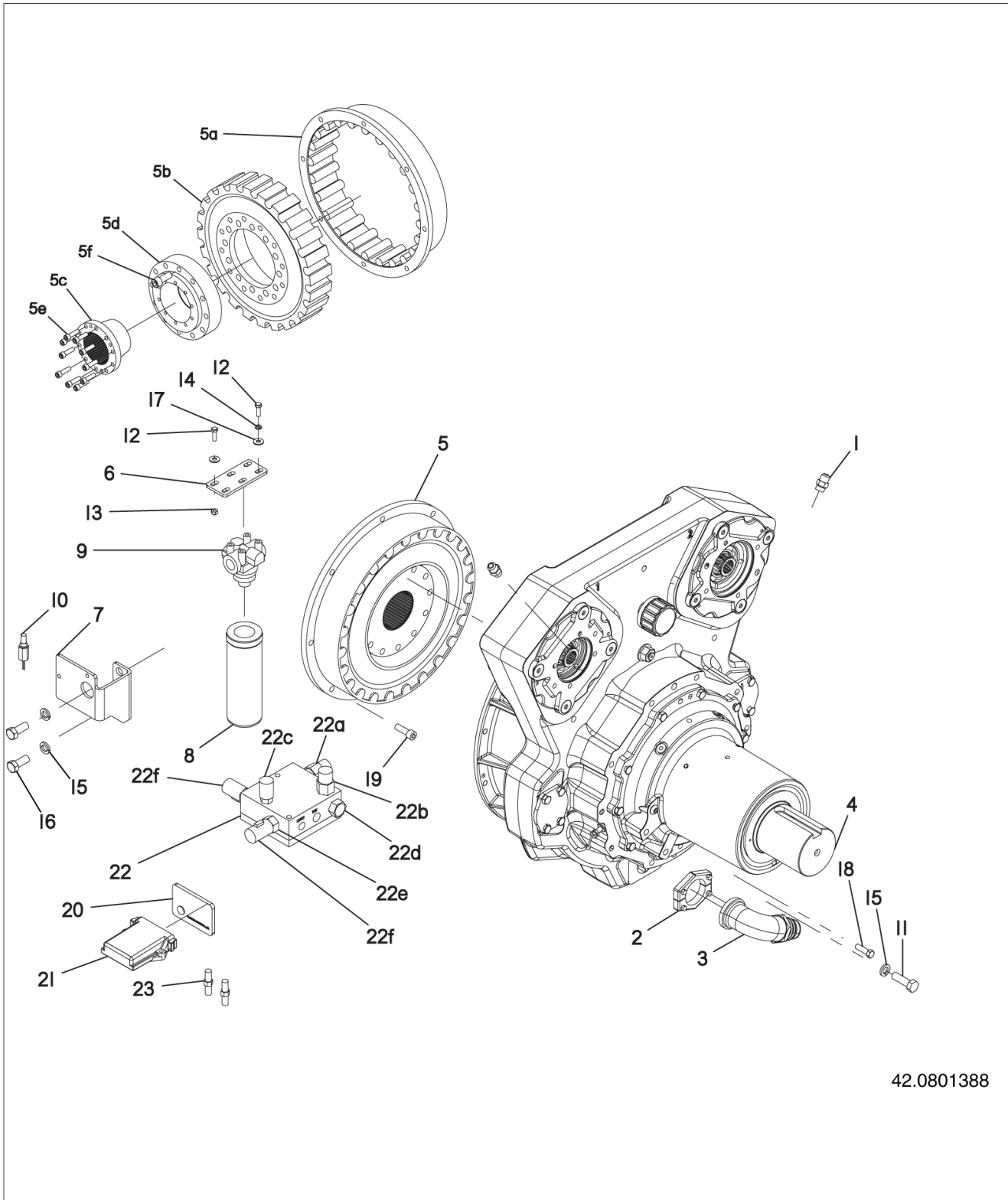


42.0801504

### 3.06 Cummins Engine Fan Drive Assembly

Item	Part No.	Quantity	Description
1	07.17911	1	Adapter, -06 ORB x 3/8 M JIC
2	42.0800249	1	Motor - Fan 28cc Vane
2a	42.0801163	1	Key
2b	42.0801164	1	Rebuilt Kit
2c	42.0801165	1	Seal Kit
2d	42.0801166	1	Bearing
2e	42.0801167	1	Clip
3	42.0800369	1	Fan - 42 in. Asm W/hub
4	42.0800449	1	Wldmt - Fan Motor Mount
5	900497	4	Washer - Flat 1/2 in. Std
6	902928	4	Hhdblt - G5 1/2-13unc x 1-1/4 in.
7	903306	2	Hhblt G 5 1/2-13 x 1.50
8	904814	1	Washer - Flat 5/8 in. Ht
9	907399	6	Hhdnut - Nylon Lk 1/2-13 Flange
10	908087	2	Flange Kit, SAE 3/4 in. Code 61
11	908090	2	Adapter, 3/4 in. Code 61 x -12 MJIC
12	908138	1	Hhdnut, M16-1.5 Nylock

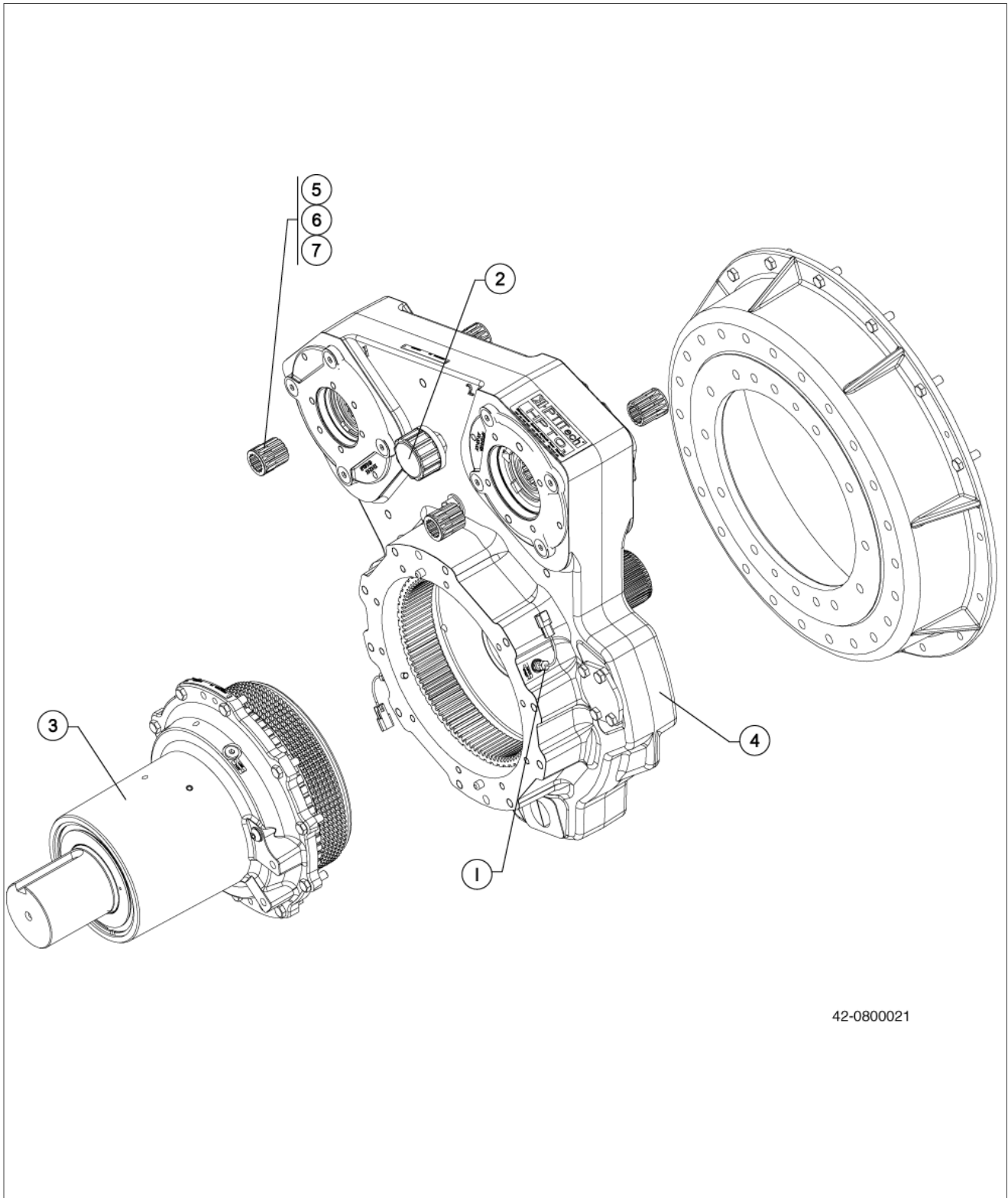
# 3.07 Cummins Engine Clutch Assembly



## 3.07 Cummins Engine Clutch Assembly

Item	Part No.	Quantity	Description
1	09.74155	2	Adapter, -08 ORB x 1/2 M JIC
2	32.03793	1	Flange Kit - 2 in. Code 61
3	32.03995	1	Elbow - 2 in. Code 61 x HB
4	42.0800021	1	Clutch, Hpto 15
5	42.0800092	1	Coupling, Flywheel
5a	42.0801244	1	Flange, Flywheel Coupling
5b	42.0801245	1	Element, Flywheel Coupling
5c	42.0801246	1	Collar, Flywheel Coupling
5d	42.0801247	1	Hub, Flywheel Coupling
5e	908191	10	Socket Hd Cap Screw M10-1.5 x 35mm Gr 12.9
5f	908192	1	Socket Hd Cap Screw M16-2 x 40mm Gr. 88
6	42.0800622	1	Bracket - Hi Pressure Fltr
7	42.0801387.5	1	Brkt: Clutch Hyd Valve, Cummins
8	42.1541961	1	Filter, Hyd Element
9	42.1541978	1	Head, Filter
10	42.1541979	1	Indicator - Filter Electrical
11	904253	4	Hhdbl, Gr 5, 5/8-11 x 2
12	907349	6	Hhdbl - Stainless Steel 5/16-18 x 1
13	907390	2	Hhdnut, 5/16-18 Stainless Steel Nylock
14	907411	4	Lockwasher, 5/16 Stainless Steel
15	907419	6	Lockwasher, 5/8 Stainless Steel
16	907432	2	Hhdbl, 5/8-11 x 1-1/2 Stainless Steel
17	907464	6	Washer, 5/16 Wide Flat Stainless Steel
18	907658	12	Hhdbl, Gr 8, 7/16-14 x 1-1/2
19	907878	8	Sochdcs, 1/2-13 x 1-1/2 Gr 8
20	42.0800779	1	Controller, Clutch Display (Included With Item 4)
21	42.0800780	1	Controller, Clutchmaster HPTO (Included With Item 4)
22	42.0800584	1	Clutch Valve Manifold, PT Tec (Included With Item 4)
22a	42.0900890	1	Pressure Reducing Valve, HPTO
22b	42.0801158	1	Temperature Switch, Clutch
22c	42.0800783	1	Pressure Sensor, HPTO
22d	42.0900889	1	Flow Control Valve, HPTO
22e	42.0801160	2	Coil, Clutch Manifold
22f	42.0801159	1	Prop Relief Valve, Clutch
23	42.0801162	1	Harness Kit, HPTO Clutch (Included With Item 4)

### 3.08 Clutch HPTO Assembly

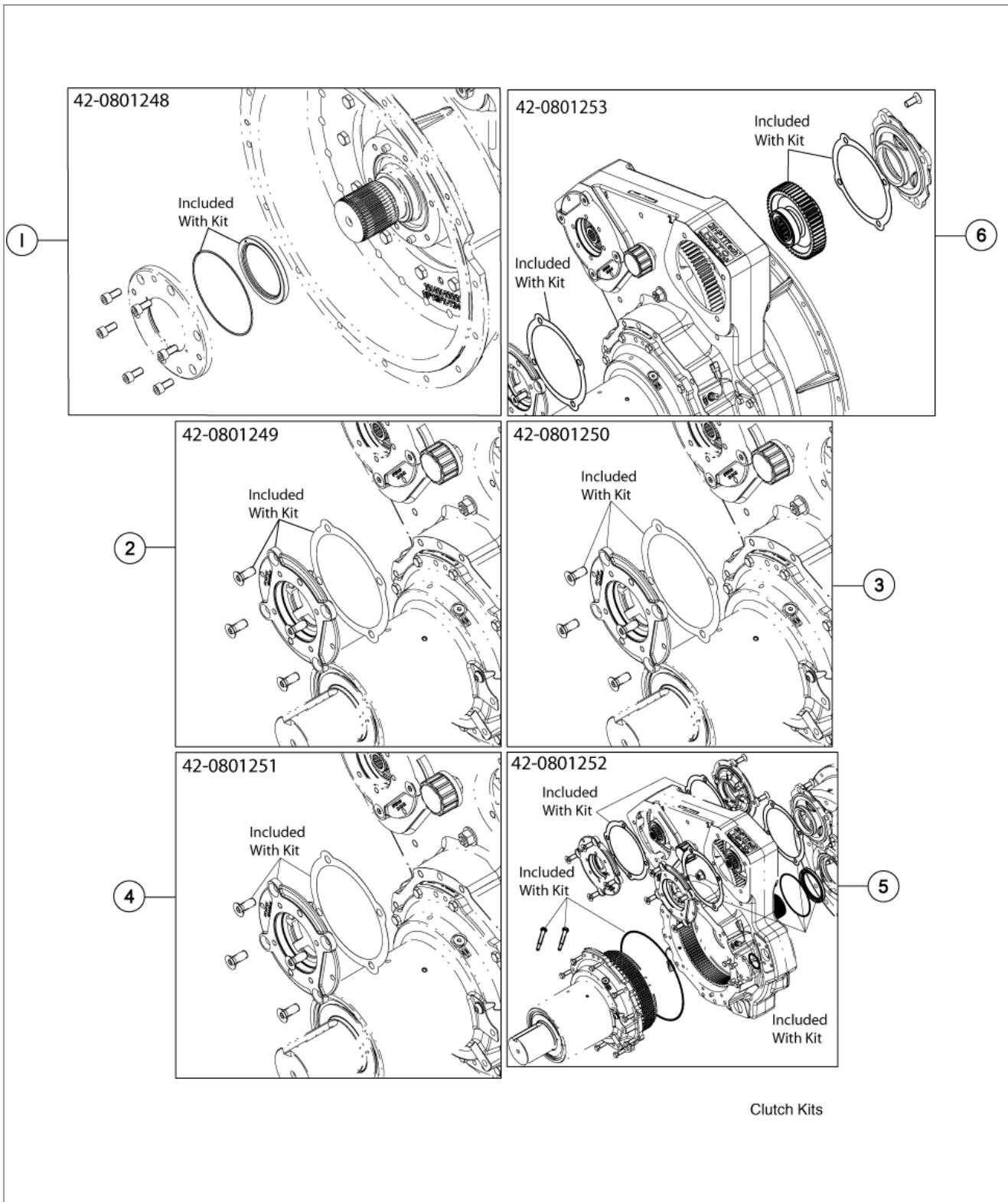


42-0800021

### 3.08 Clutch HPTO Assembly

Item	Part No.	Quantity	Description
1	42.0801161	2	Speed Pickup
2	42.0801259	1	Breather
3	42.0801260	1	Clutch Sub Assembly
4	42.0801261	1	FX Housing Sub Assembly
5	42.0801262	4	Spline Insert SAE A
6	42.0801263	4	Spline Insert SAE B
7	42.0801264	4	Spline Insert SAE C

### 3.09 Clutch Kit



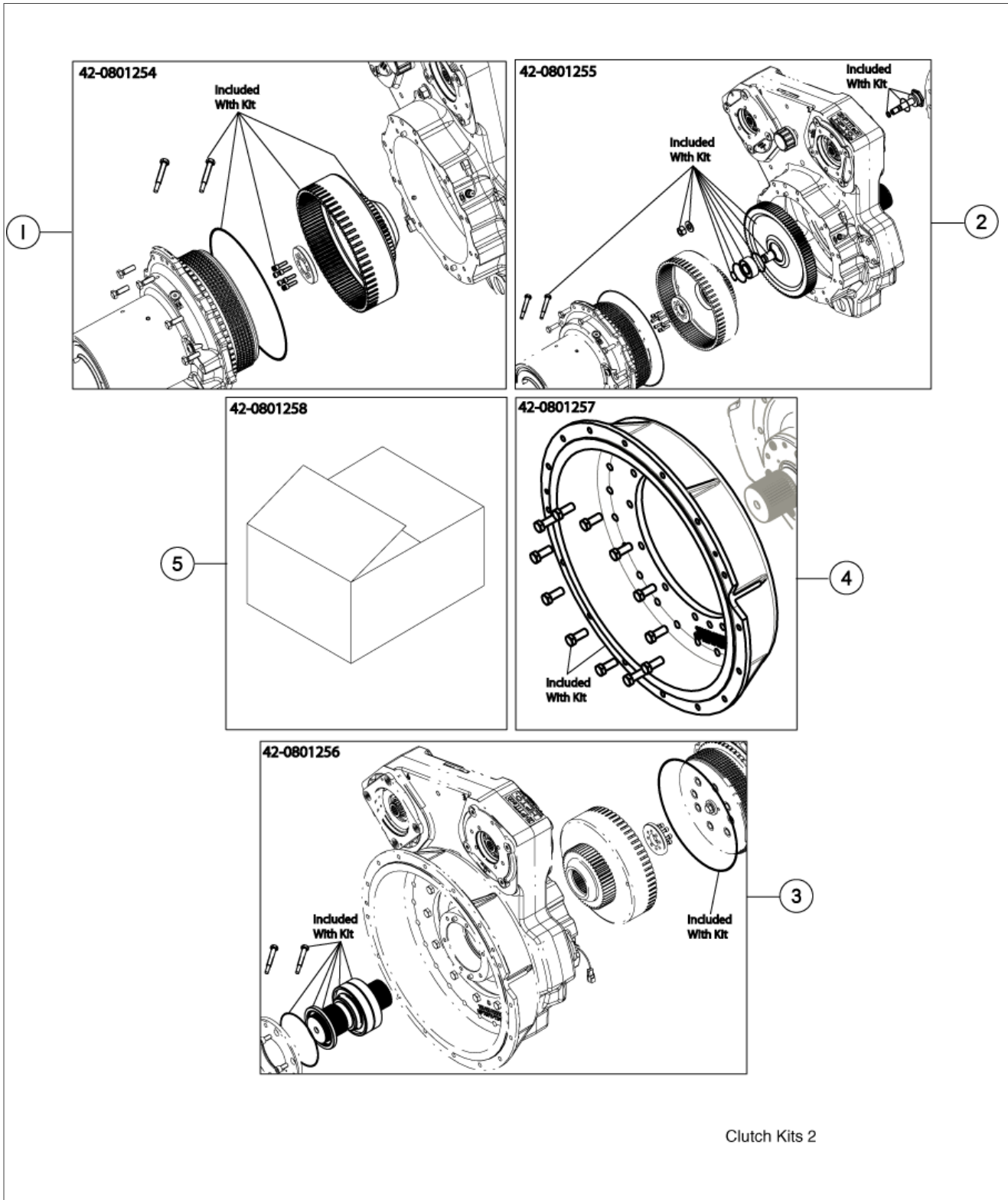


## 3.09 Clutch Kit

Item	Part No.	Quantity	Description
1	42.0801248	AR	Input Shaft Seal Kit
2	42.0801249	AR	Pump Pad Kit, Clutch A
3	42.0801250	AR	Pump Pad Kit, Clutch B
4	42.0801251	AR	Pump Pad Kit, Clutch C
5	42.0801252	AR	Housing Seal Kit
6	42.0801253	AR	Pump Drive Gear Kit

Section 3

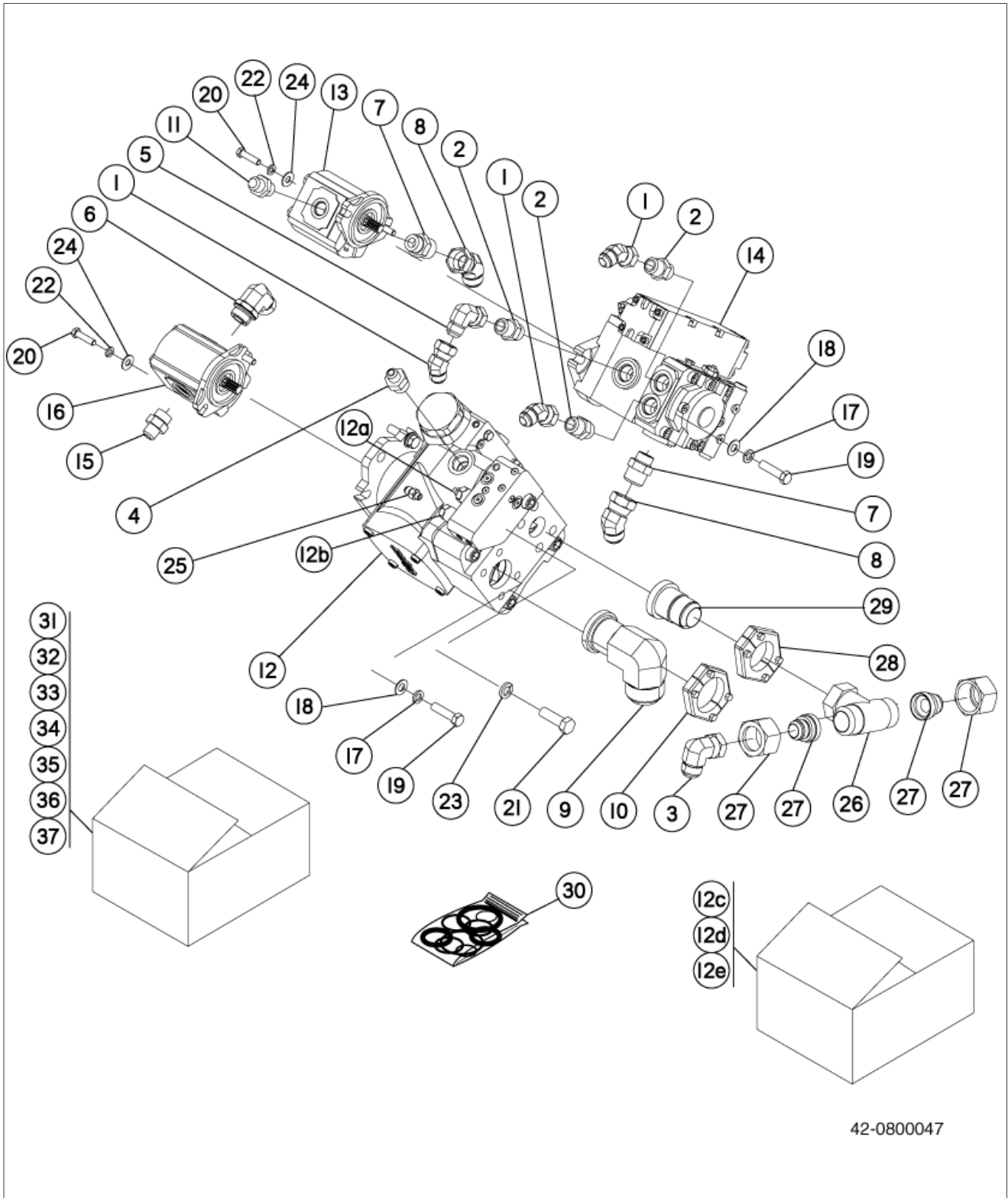
### 3.10 Clutch Kit (Cup, Idler Gear, Shaft & Housing)



### 3.10 Clutch Kit (Cup, Idler Gear, Shaft & Housing)

Item	Part No.	Quantity	Description
1	42.0801254	AR	Clutch Cup Kit
2	42.0801255	AR	Idler Gear Kit
3	42.0801256	AR	Input Shaft Kit
4	42.0801257	AR	Bell Housing Kit
5	42.0801258	AR	Output Shaft Seal Kit

### 3.11 Hydraulic Pump Assembly



42-0800047

## 3.11 Hydraulic Pump Assembly

Item	Part No.	Quantity	Description
1	09.74126	3	Elbow, 45° -12 MJIC x JIC Swivel
2	09.74127	3	Adapter, -12 ORB x 3/4 in. MJIC
3	21.00354	1	Elbow, 1 MJIC x Swivel 90°
4	32.01940	1	Adapter, -12 ORB x 1/2 in. MJIC
5	32.01941	1	Elbow, 3/4 in. MJIC x Swivel 90°
6	32.02512	1	Elbow, -16 ORB x -16 MJIC
7	32.02639	2	Adapter, -12 ORB x 1 in. MJIC
8	32.03090	2	Elbow, 1 in. FJIC x MJIC 45°
9	32.03762	1	Flange Elbow, 2 in. Code 61
10	32.03793	1	Flange Kit, 2 in. Code 61
11	40.00147	1	Connector, -37° Flare -ORB 7/8-14
12	42.0800245	1	Pump, Hydraulic 98 cc Load Sense
12a	42.0801170	1	Compensator Valve
12b	42.0801171	1	Load Sense Valve
12c	42.0801168	AR	Port Plate
12d	42.0801169	AR	Seal Kit
12e	42.0801172	AR	Shaft Seal
13	NLA	1	Pump, Hydraulic 19.2 cc Clutch (S/N 4205279 & Before) Order 42.0801308.5 for replacement
13	42.0801308.5	1	Pump: Hyd 19cc Clutch (S/N 4205280 & After)
14	42.0800248.5	1	Pump, Hydro Fan Drive
15	42.1540551	1	Adapter, -12 ORB x 7/8 in. MJIC
16	42.0800247.5	1	Pump, Hydraulic 25 cc, Beater
17	900506	6	Washer, Lock, 1/2 in.
18	901937	6	Washer, Flat, 1/2 in.
19	902050	6	Bolt, Hex, 1/2-13 x 2 in. Gr 5
20	903848	4	Bolt, Hex, 3/8-16 x 1-1/2 in.
21	904253	2	Bolt, Hex, 5/8-11 x 2 in. Gr5
22	907412	4	Washer, Lock, 3/8 in. Stainless Steel
23	907419	2	Washer, Lock, 5/8 in. Stainless Steel
24	907465	4	Washer, Flat Wide, 3/8 in. Stainless Steel
25	907695	1	Union -04ORB -06MJIC
26	908085	1	Tee, -24 JIC Branch Swivel
27	908086	2	Reducer With Nut, 24 -16 JIC
28	908088	1	Flange Kit, SAE, 1-1/2 in. Code 62
29	908089	1	Adapter, 1-1/2 in. Code 62 x -24 MJIC
30	42.0800799	AR	Seal Kit (For Item 13 S/N 4205279 & Before) & (Item16)
30	42.0801309	1	Kit: Hyd Pump Seal (For Item 13 S/N 4205280 & After)
31	42.0801174	AR	Shaft & Bearing Kit (For Item 14)
32	42.0801175	AR	Swash Plate Kit (For Item 14)
33	42.0801176	AR	Rotating Group Kit (For Item 14)
34	42.0801177	AR	Valave Plate Kit (For Item 14)

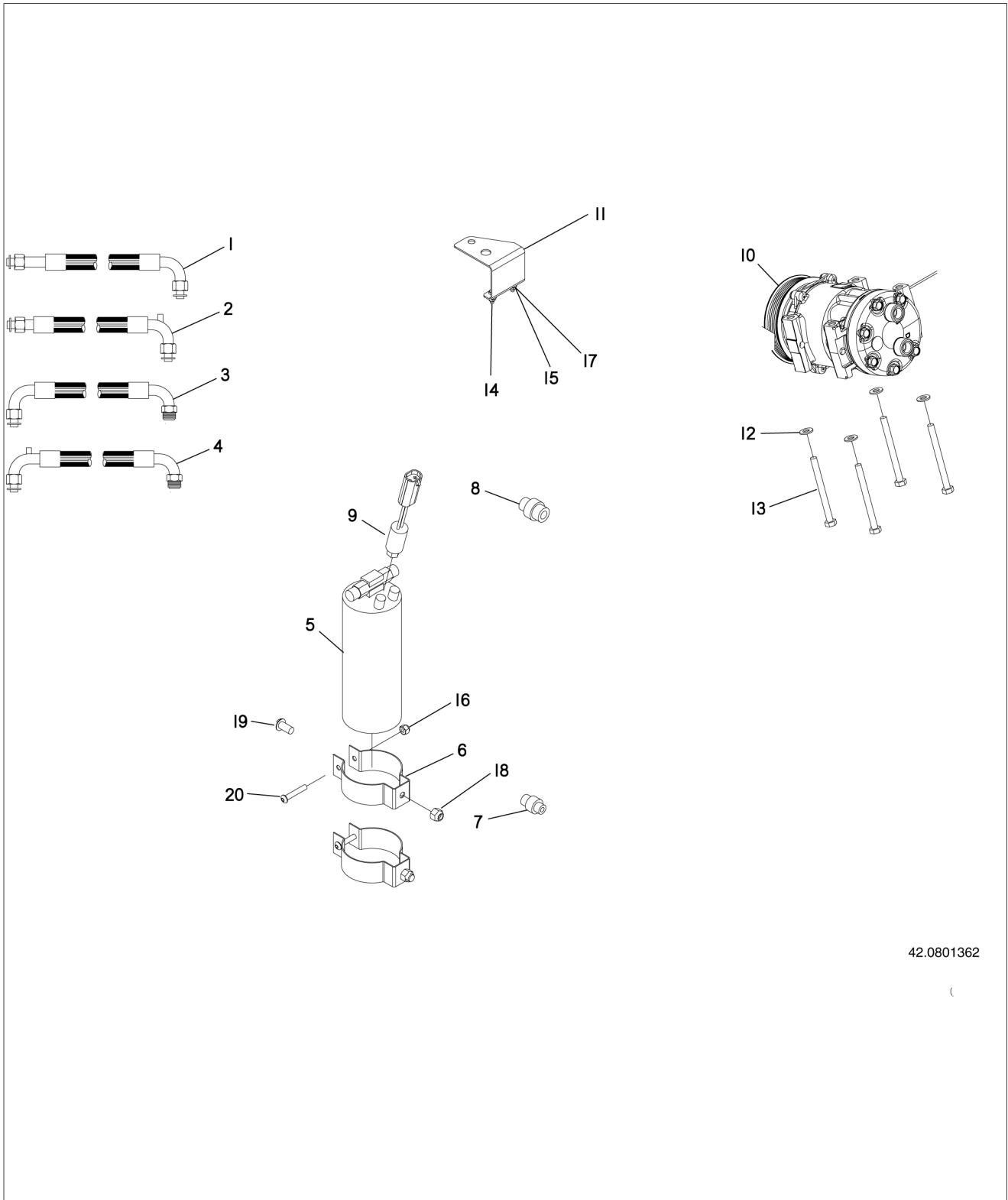
### Section 3

## 3.11 Hydraulic Pump Assembly

Item	Part No.	Quantity	Description
35	42.0801178	AR	Charge Pump Kit (For Item 14)
36	42.0801179	AR	Seal Kit (For Item 14)
37	42.0801180	AR	Press Red Cartridge (For Item 14)

***This Page Intentionally Left Blank***

### 3.12 Kit: A/C Cummins Engine



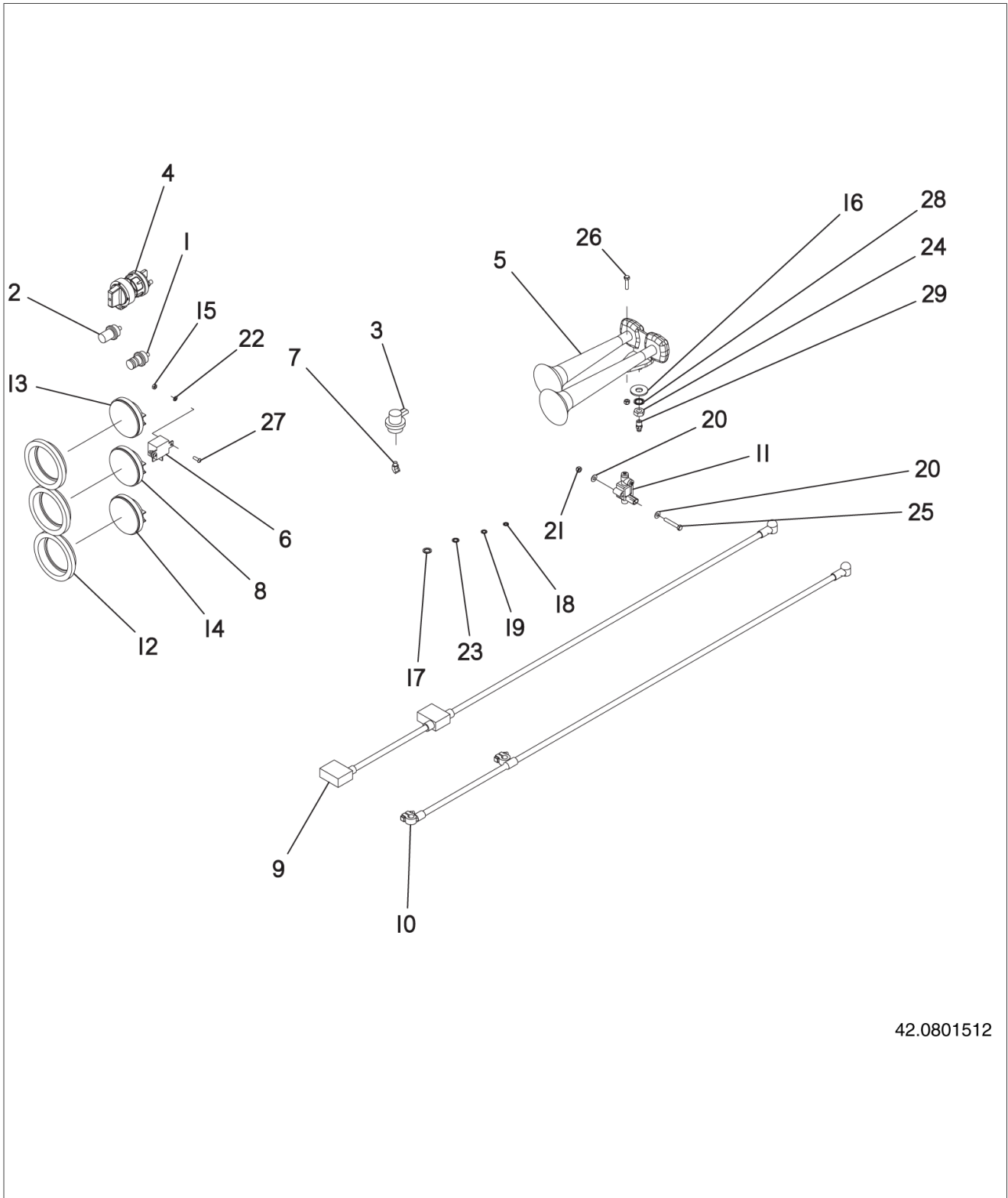
42.0801362



### 3.12 Kit: A/C Cummins Engine

Item	Part No.	Quantity	Description
1	42.0800673	1	Hose Asm, A/C Cond To Dry
2	42.0801364	1	Hose: Asm A/C Comp To Cond
3	42.0800675	1	Hose: Asm, A/C Dry To Cab
4	42.0801366	1	Hose: Asm A/C Cab To Comp
5	21.00052	1	Dryer/Receiver, A/C
6	21.00053	2	Bracket, Receiver Dryer
7	21.47204	1	Fitting, -6 ORB To #6 A/C
8	21.31406	1	Fitting, Male #10 SAE SAE/#8 Refrigerant
9	21.00064	1	Switch, A/C High Pressure
10	42.0801361	1	Compressor: X1114 A/C
11	42.0800372	1	Bracket - Cab A/C Bulkhead
12	904324	4	Washer, Flat 5/16 in.
13	908513	4	Hhdnblt - G8.8 M8-1.25 x 95mm
14	907349	2	Hhdnblt - Stainless Steel 5/16-18 x 1
15	907379	2	Washer, Stainless Steel 5/16 Flat
16	907389	2	Hhdnut, 1/4-20 Stainless Steel Nylock
17	907390	2	Hhdnut, 5/16-18 Stainless Steel Nylock
18	907391	2	Hhdnut, 3/8-16 Stainless Steel Nylock
19	907558	2	Btndnblt, 3/8-16 x .75 Stainless Steel
20	907614	2	Btndnblt, 1/4-20 x 1-1/2 Stainless Steel

### 3.13 Cummins Engine Electrical Assembly

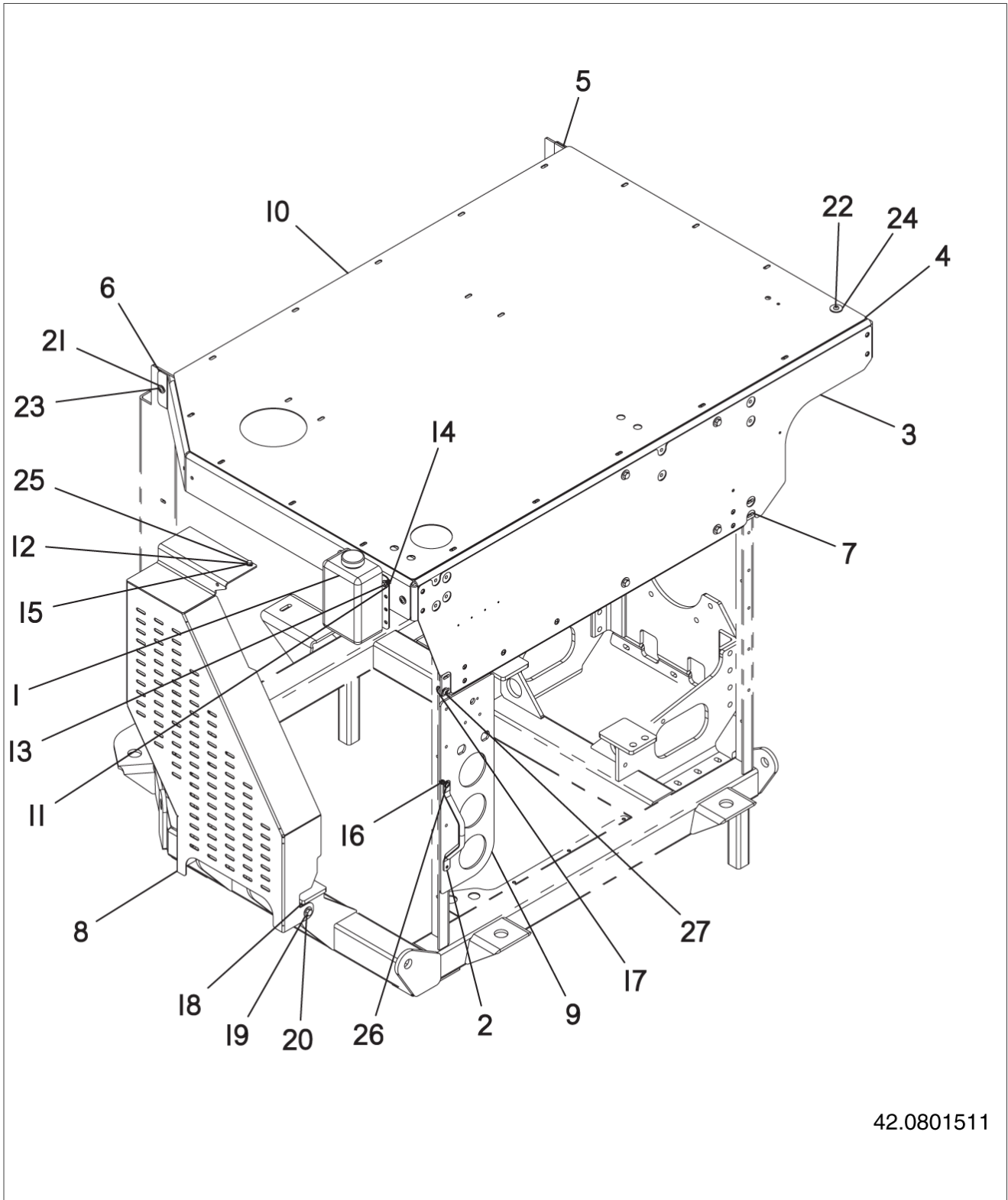


42.0801512

### 3.13 Cummins Engine Electrical Assembly

Item	Part No.	Quantity	Description
1	21.20801	1	Neg Batt Jumper Term
2	21.20802	1	Pos Batt Jumper Term
3	21.23917	1	Switch, Air Filter
4	21.46522	1	Switch: Batt Disconnect
5	32.60388	1	Air Horn, Floater
6	32.60608	1	Relay, Starter 75 Amp
7	32.61053	1	Elbow, 45 1/8 MPT x FPT
8	42.0800603	1	Light, Tail 4 in. Yellow
9	42.0801022	1	Cable, Battery Positive X1114
10	42.0801023	1	Cable, Battery Negative X1114
11	42.0801360	1	Valve: Solenoid
12	42.1501077	3	Grommet, Taillight
13	42.1501204	1	Light, Tail 4 in. Red
14	42.1501816	1	Light, Tail 4 in. Green
15	900363	2	Hhdnut - 1/4 in.
16	900498	1	Washer: Flat 5/8 In. Std
17	904343	4	Washer - Star 1/2 in. Internal
18	907157	1	Lock Washer, 1/4 Intrnl Tooth
19	907172	2	Lock Washer, 5/16 Intrnl Tooth
20	907379	3	Washer, Stainless Steel 5/16 Flat
21	907390	2	Hhdnut, 5/16-18 Stainless Steel Nylock
22	907417	2	Washer: Stainless Steel Lock 1/4 In.
23	907428	3	Star Washer, 3/8 Stainless Steel
24	907434	1	Hhd Jam Nut, 5/8-11 Fin Stainless Steel
25	907444	1	Hhdbl, 5/16-18 x 2 Stainless Steel
26	907457	1	Hhdbl - Stainless Steel 5/16-18 x 1-1/4 in.
27	907613	2	Bolt: Btnhd 1/4-20 x 3/4 Stainless Steel
28	908435	1	Washer: 5/8 in. Internal Star
29	908477	1	Connector: 1/4 MPT x 1/4 Tube

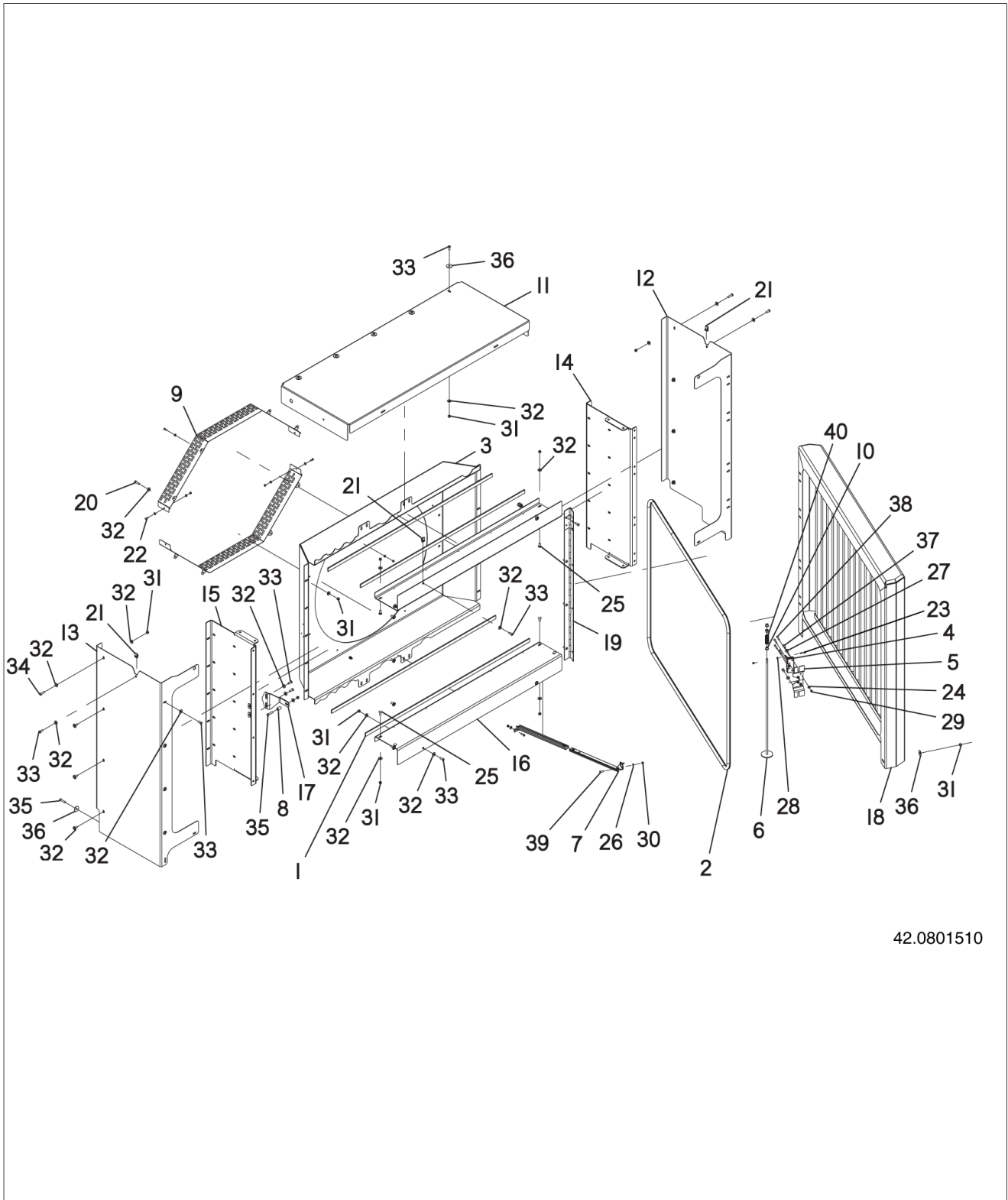
# 4.01 Cummins Engine Shroud Assembly



## 4.01 Cummins Engine Shroud Assembly

Item	Part No.	Quantity	Description
1	21.24166	1	Overflow Bottle - 4 Qt Rad
2	32.04572	1	Handle, Short Stainless Steel
3	42.0800275	1	Panel, Engine Compartment
4	42.0800296	1	Brace, Engine Compartment Roof
5	42.0800297	1	Brace, Engine Compartment Roof EE
6	42.0800298	1	Brace, Engine Compartment Roof CE
7	42.0800411	1	Brkt - Air Cleaner Mtg
8	42.0801319.5	1	Wdmt: Front Engine Guard
9	42.0801328.5	1	Panel: Multi Color Lights EE
10	42.0801329.5	1	Roof: Engine Compartment Black
11	900494	8	Washer, 5/16 Flat
12	900503	1	Washer - Lock 5/16 in.
13	904464	4	Hhdbl, Gr 5, 5/16-18 x 1-1/4
14	906483	4	Hhdnut, 5/16-18 Nylock
15	907379	11	Washer, Stainless Steel 5/16 Flat
16	907390	5	Hhdnut, 5/16-18 Stainless Steel Nylock
17	907391	33	Hhdnut - Stainless Steel Nylok 3/8-16
18	907392	6	Hhdnut, 1/2-13 Stainless Steel Nylock
19	907395	12	Washer, 1/2 Stainless Steel Flat
20	907424	6	Hhdbl, 1/2-13 x 1-1/2 Stainless Steel
21	907465	53	Washer - Stainless Steel Flat 3/8 Wide
22	907467	13	Btndbl, 3/8-16 x 1 Stainless Steel
23	907468	2	Btndbl, 3/8-16 x 1-1/2 Stainless Steel
24	907533	13	Flatwasher, 3/8 Wide Heavy Stainless Steel
25	907568	1	Hhdbl, Gr 8.8, M8-1.25 x 25mm
26	907983	5	Btndbl, 5/16-18 x 1-1/4 Stainless Steel
27	907984	18	Btndbl, 3/8-16 x 1-1/4 Stainless Steel

# 4.02 Cummins Engine Radiator Shroud Assembly

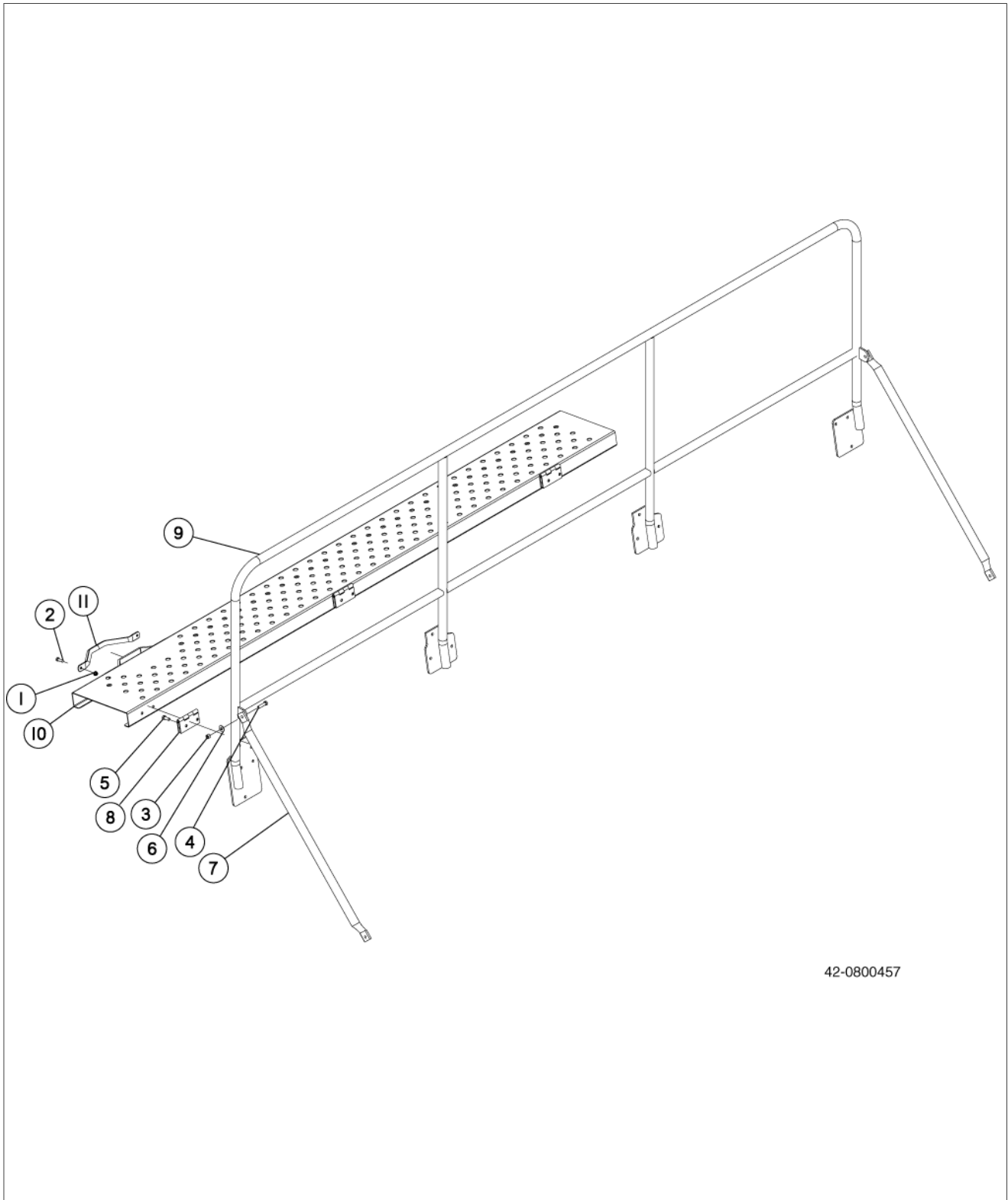


42.0801510

## 4.02 Cummins Engine Radiator Shroud Assembly

Item	Part No.	Quantity	Description
1	21.23540	15 Ft	Foam Seal - 1x1 Self Adhesive (Order Per Foot)
2	42.0800171	16 Ft	Trim, Cooler Door Seal (Order Per Foot)
3	42.0800279	1	Panel, Fan Shroud
4	42.0800470	1	Rotary Lock (LH)
5	42.0800473	1	Plate, Door Latch Mount
6	42.0800480	1	Weldment, Door Latch Release
7	42.0800630	1	Door Prop
8	42.0800679	1	Spacer .675 Od x .386 Id x 1.000
9	42.0800695	2	Panel, Fan Guard
10	42.0800785	3	Bushing, Door Latch Spring (bronze)
11	42.0800911	1	Panel, Engine Cooler (top)
12	42.0800912	1	Panel, Engine Cooler (hinge Side)
13	42.0800913	1	Panel, Engine Cooler (latch Side)
14	42.0800914	1	Angle, Engine Cooler Mount Wldmt (hinge Side)
15	42.0800915	1	Angle, Engine Cooler Mount Wldmt (latch Side)
16	42.0800916	2	Angle, Engine Cooler (top & Bottom)
17	42.0800918	1	Plate, Striker Stud Mount
18	42.0800919.5	1	Cooler Door Weldment
19	42.0800924.5	1	Hinge - Cooler Door X1114
20	902367	10	Hhdbl, Gr 5, 3/8-16 x 1-1/4
21	904172	4	Clip Nut, 3/8-16
22	904863	12	Hhdbl, 1/4-20 x 3/4 Gr 5
23	907233	1	Hhdbl, Stainless Steel 1/4-20 x 1-1/4
24	907234	28	Washer, Stainless Steel 1/4 Flat
25	907337	8	Carblt, 3/8-16 x 1 Stainless Steel
26	907379	4	Washer, Stainless Steel 5/16 Flat
27	907380	2	Washer, Stainless Steel 3/8 Flat
28	907384	1	Hhdnut, 1/4-20 Stainless Steel
29	907389	17	Hhdnut, 1/4-20 Stainless Steel Nylock
30	907390	4	Hhdnut, 5/16-18 Stainless Steel Nylock
31	907391	35	Hhdnut, 3/8-16 Stainless Steel Nylock
32	907465	68	Washer, 3/8 Wide Flat Stainless Steel
33	907467	31	Btndbl, 3/8-16 x 1 Stainless Steel
34	907468	2	Btndbl, 3/8-16 x 1-1/2 Stainless Steel
35	907469	2	Btndbl, 3/8-16 x 1-3/4 Stainless Steel
36	907533	7	Flatwasher, 3/8 Wide Heavy Stainless Steel
37	907558	2	Btndbl, 3/8-16 x .75 Stainless Steel
38	907614	4	Btndbl, 1/4-20 x 1-1/2 Stainless Steel
39	907615	4	Btndbl, 5/16-18 x 1 Stainless Steel
40	907954	1	Spring, Comp. 29/32od x 2-3/4lg

### 4.03 Upper Platform Assembly



42-0800457

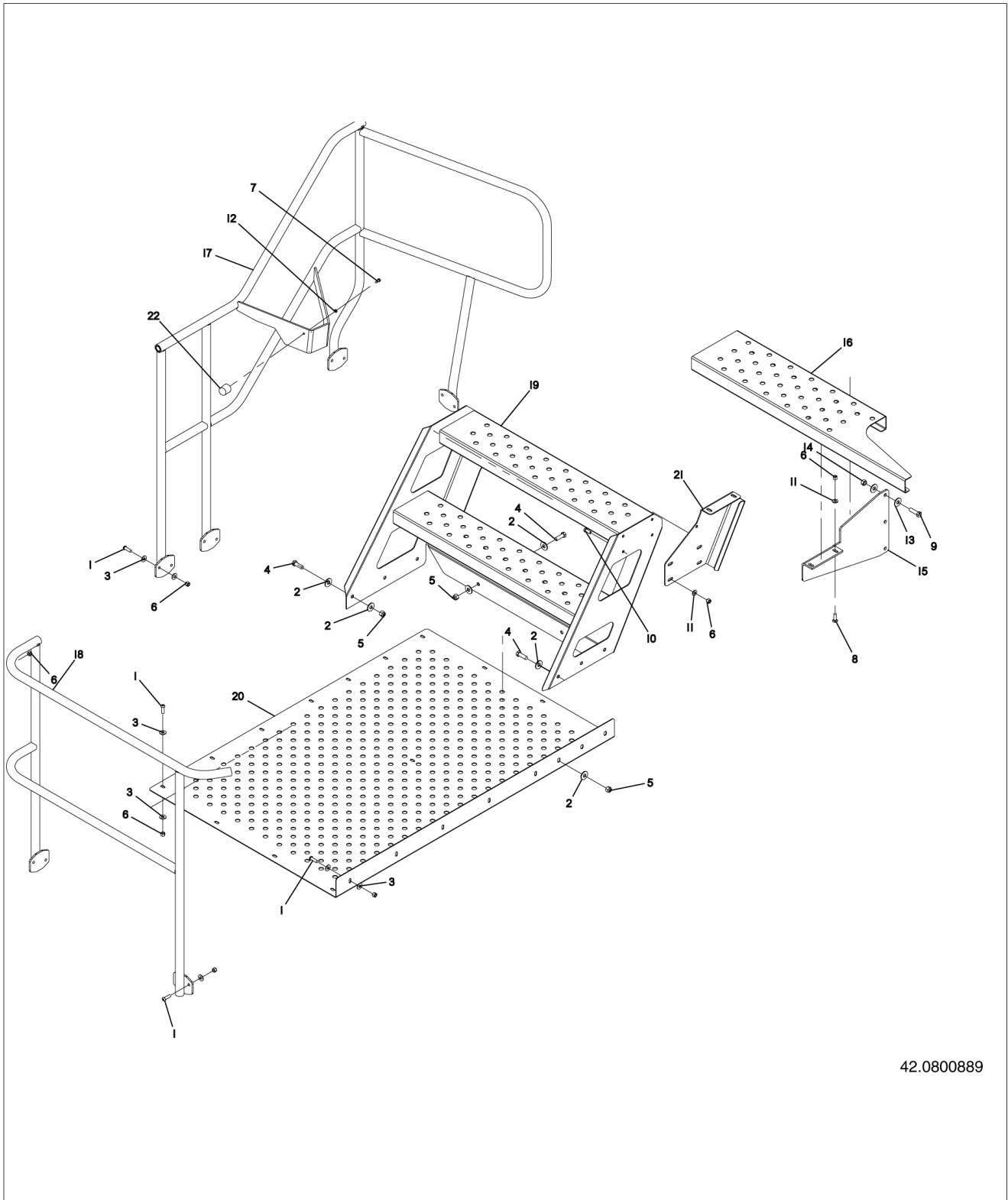


## 4.03 Upper Platform Assembly

Item	Part No.	Quantity	Description
1	907625	2	Nut, Hex Lock Flange, 5/16-18 Nylock Black Zinc
2	907349	2	Bolt, Hex, 5/16-18 x 1 in. Stainless Steel
3	906400	26	Nut, Hex Lock, 3/8-16 Nylock
4	903848	4	Bolt, Hex, 3/8-16 x 1-1/2 in.
5	902300	22	Bolt, Hex, 3/8-16 x 1 in. Gr 5 Yellow Zinc
6	900495	26	Washer, Flat, 3/8 in.
7	42.0800485	2	Tube, Platform Rail Brace
8	42.0800458.8	3	Hinge, Platform Mount
9	42.0800454	1	Railing, Upper Platform Weldment
10	42.0800451	1	Platform, Upper Weldment
11	32.04572	1	Handle, Short Stainless Steel

Section 4

# 4.04 Cab Platform Assembly

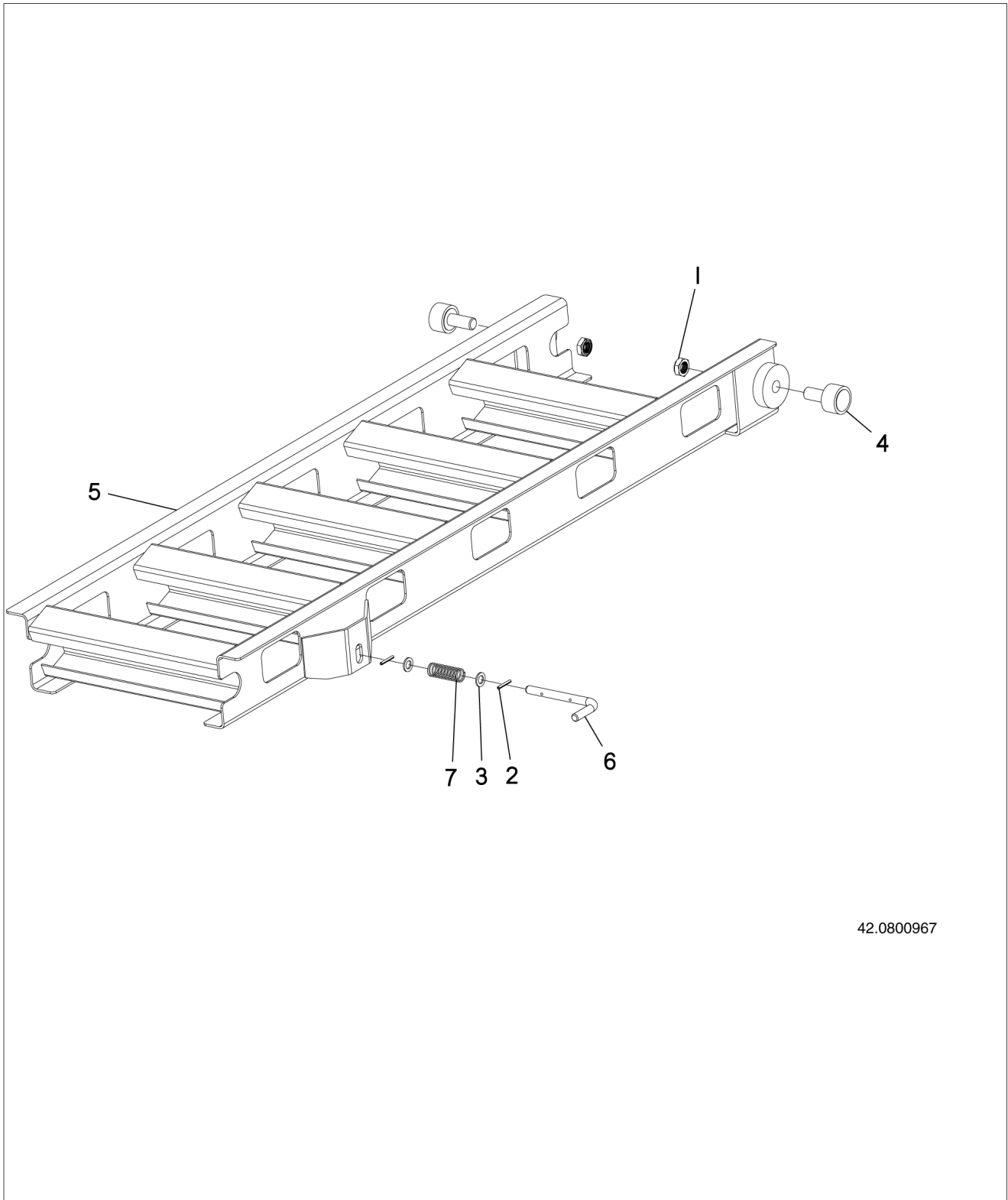


42.0800889

## 4.04 Cab Platform Assembly

Item	Part No.	Quantity	Description
1	907984	30	Btnhdbl, 3/8-16 x 1-1/4 Stainless Steel
2	907466	16	Washer, 1/2 Wide Flat Stainless Steel
3	907465	56	Washer - Stainless Steel Flat 3/8 Wide
4	907424	8	Hhdbl, 1/2-13 x 1-1/2 Stainless Steel
5	907392	8	Hhdnut, 1/2-13 Stainless Steel Nylock
6	906400	42	Nut: Hex Nylon Lk 3/8-16
7	904863	1	Bolt: Hhd G5 1/4 x 3/4 In.
8	903693	4	Carblt - 3/8-16 x 1 1/4 in.
9	903518	3	Hhdbl - G5 1/2 x 1-3/4 in.
10	902300	4	Hhdbl - G5 3/8x1 in. Yellow Zinc
11	901105	8	Washer - Flat 3/8 in. SAE
12	900502	1	Washer - Lock 1/4 in.
13	900497	6	Washer - Flat 1/2 in. Std
14	900369	3	Hhdnut, 1/2-13
15	42.0800896	1	Plate - Upper Platform Mount
16	42.0800892	1	Platform, Cab Upper Assy Mb
17	42.0800888.8	1	Rail Assembly Steps CE Platform Mb
18	42.0800886.8	1	Rail Wdmt CE Platform Mb
19	42.0800883	1	Platform Wdmt, Mb11014
20	42.0800881	1	Panel, Platform Main Floor
21	42.0800271	1	Riser, Upper Cab Platform Mb
22	21.21884	1	Bumper, Rubber Door

# 4.05 Ladder Assembly

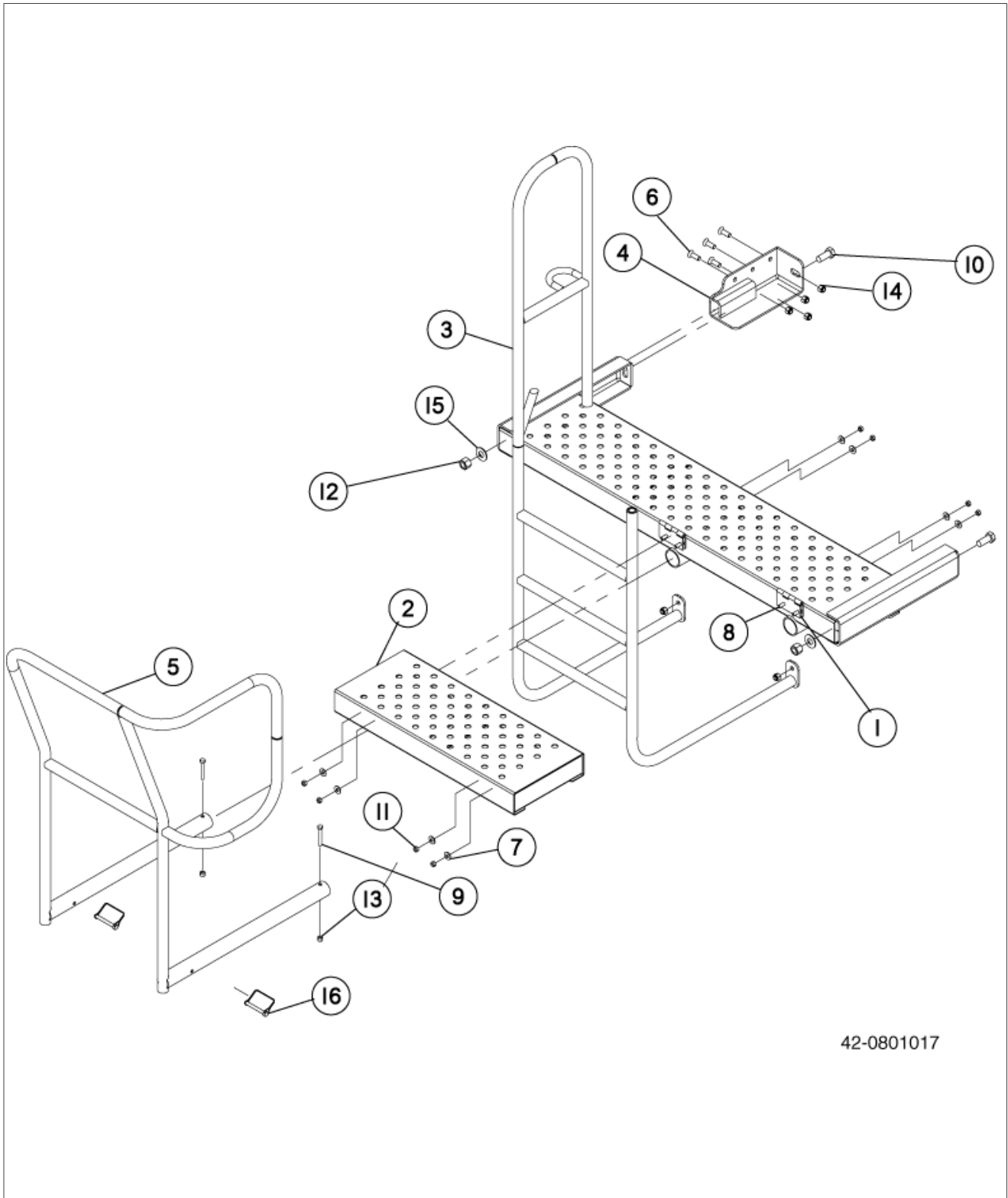


42.0800967

## 4.05 Ladder Assembly

Item	Part No.	Quantity	Description
1	908444	2	Nut: Hex Jam 3/4-16 Nylock
2	904246	2	Pin - Spring 5/32 x 1-1/4
3	900509	2	Mach Bshg - 1/2 in. 14 Ga
4	42.1510056	2	Bearing - 1-3/4 Cam Follower
5	42.0800133	1	Ladder Wdmt, Mb11014
6	17.00750	1	Pin: Cam Lever
7	07.17764	1	Spring, Compression

### 4.06 Platform And Rail Assembly

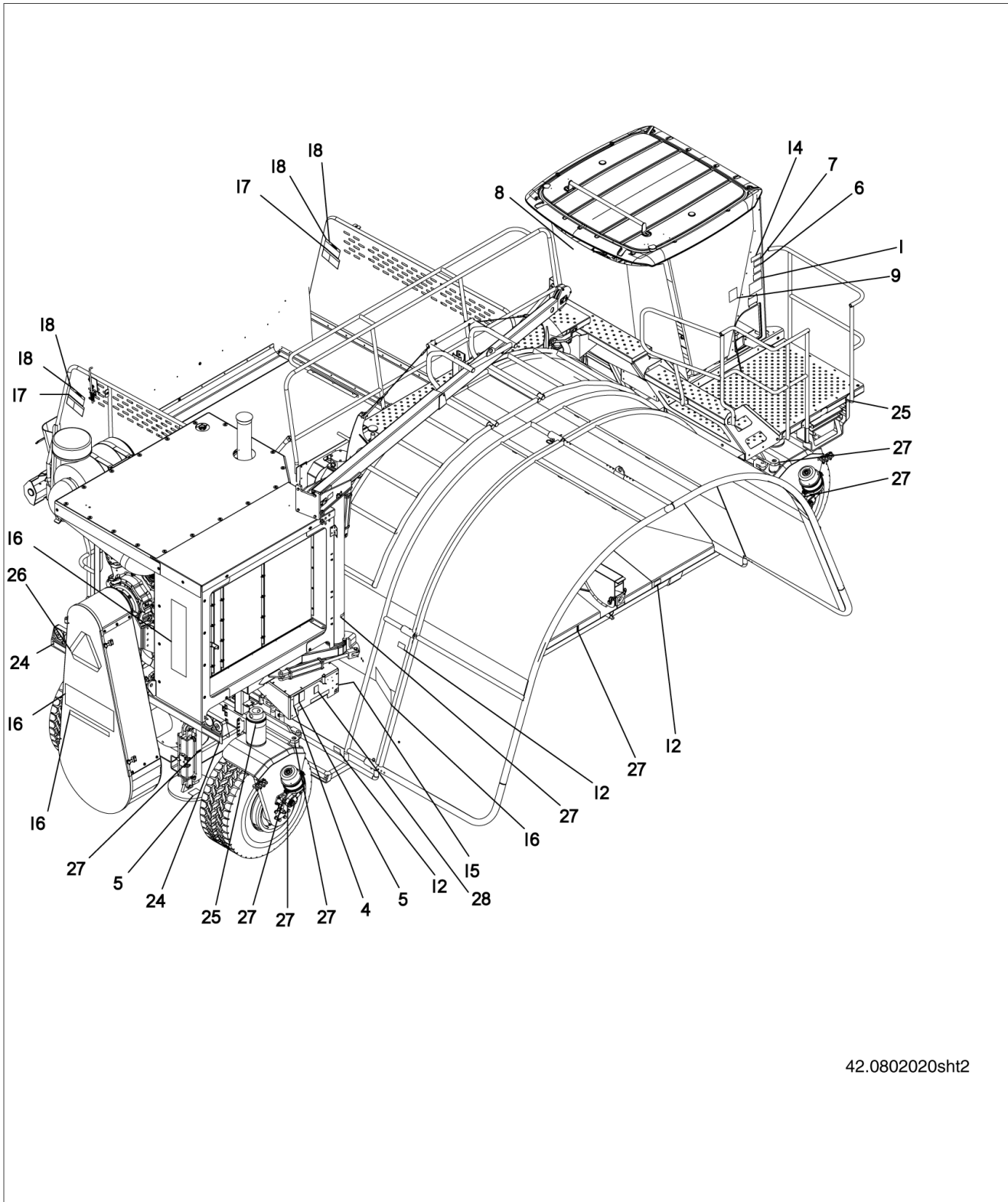


42-0801017

## 4.06 Platform And Rail Assembly

Item	Part No.	Quantity	Description
1	42.0800458.8	2	Hinge, Platform Mount
2	42.0800992	1	Platform Weldment, Folding Section Engine End
3	42.0800995	1	Platform Weldment, Main Section Engine End
4	42.0801032	1	Mount Weldment, Platform Feed Tunnel Side Engine End
5	42.0801061	1	Rail, Slide Out Engine End Platform
6	42.1550436	4	Screw, Socket Flat Hd. 1/2-13 x 1-1/2 in. Stainless Steel
7	900495	8	Washer, Flat, 3/8 in.
8	902300	8	Bolt, Hex, 3/8 in. x 1 in. Gr 5 Yellow Zinc
9	902884	2	Bolt, Hex, 3/8-16 x 2-1/2 in. Gr 5
10	903856	2	Bolt, Hex, 3/4-10 x 1-3/4 in. Gr 5
11	903937	8	Nut, Hex Lock, 3/8-16 Top Lock
12	906349	2	Nut, Hex Lock, 3/4-10 Nylock
13	906400	2	Nut, Hex Lock, 3/8-16 Nylock
14	906401	6	Nut, Hex Lock, 1/2-13 Nylock
15	907397	2	Washer, Flat, 3/4 in. Stainless Steel
16	907768	2	Pin, Lock, 3/8 in. x 3 in.

### 4.07 Asm: LX1214 Decal Tunnel Side



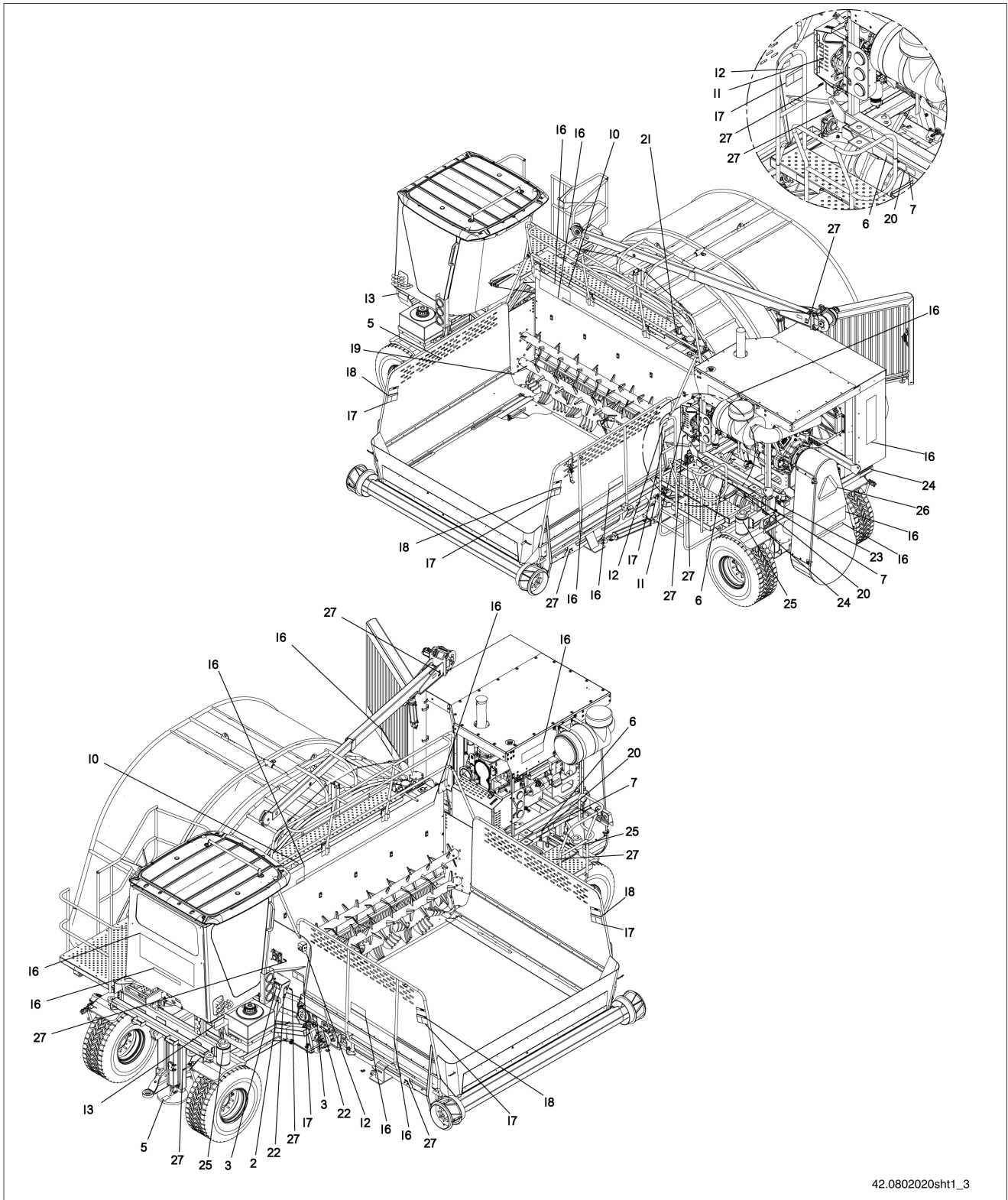
42.0802020sht2



## 4.07 Asm: LX1214 Decal Tunnel Side

Item	Part No.	Quantity	Description
1	16.20178	1	Decal, Before Operating
4	21.09024	1	Decal - High Pres Oil
5	21.09025	3	Decal, Pinch Point
6	21.09045	2	Decal, Refrigerent Pressure
7	21.21131	2	Decal, Welding Notice
8	21.25450	1	Decal- Danger Start In Neutral
9	21.42095	1	Decal, Miller Door Window
12	40.00472	8	Decal, Warning Hand Crushing
14	42.0801142	1	Decal - Important, Lug Nuts
15	42.0801304	1	Decal, Remote Activation
16	42.0802213	1	Kit: LX1214 Styling Decal
17	42.0900820	6	Decal - Danger, Rotor Entg'mt
18	42.0900821	4	Decal - Danger, Conveyor Entanglement
24	907219	2	Decal, Red 2x9 Retroreflective
25	907220	5	Decal, Ylw 2x9 Retroreflective
26	907225	1	Decal - Smv Emblem
27	907510	30	Decal - Grease
28	42.0802265	1	Decal: Boom Lift Warning

# 4.08 Asm: LX1214 Decal Feed Table Side

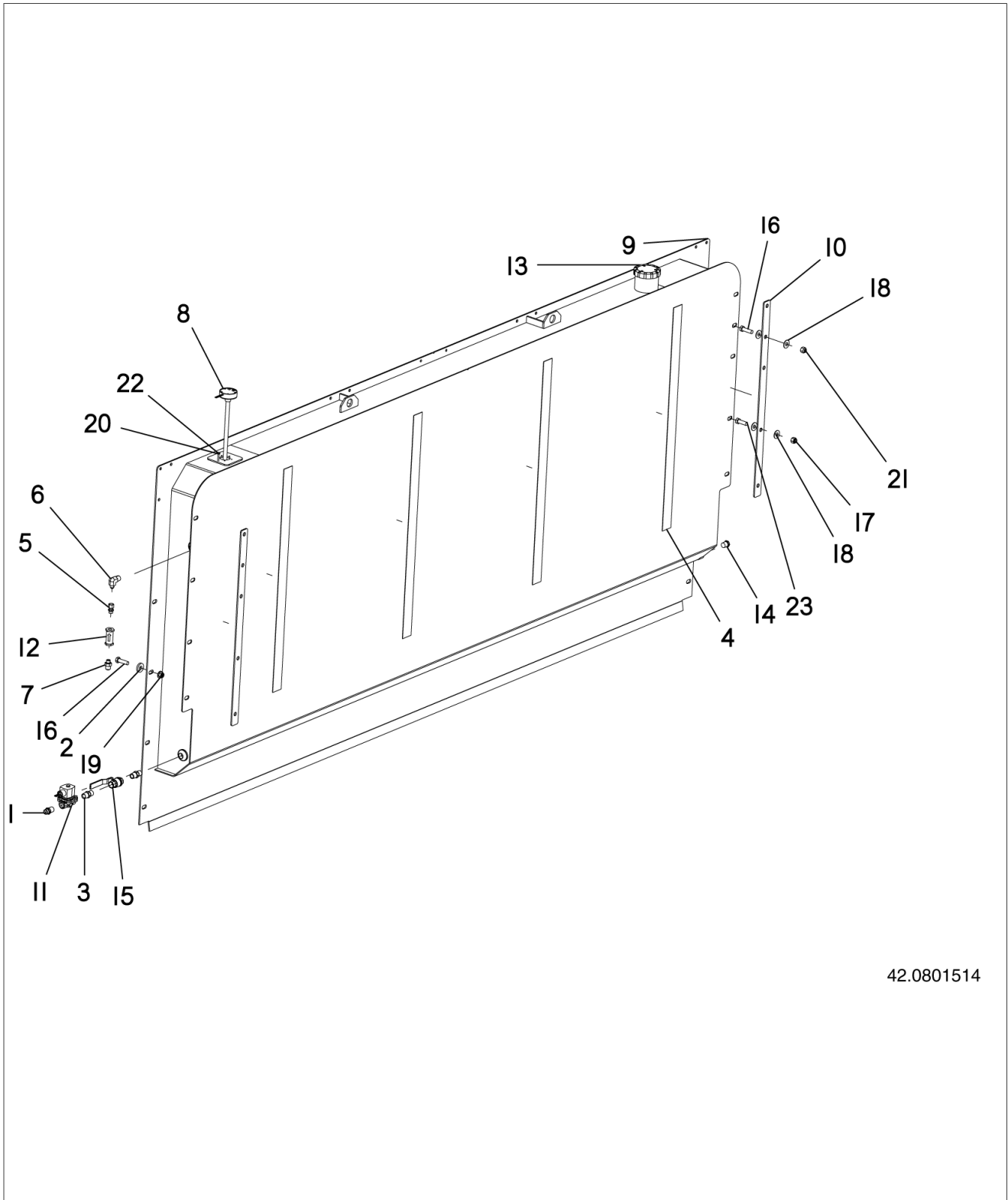


42.0802020sht1\_3

## 4.08 Asm: LX1214 Decal Feed Table Side

Item	Part No.	Quantity	Description
2	16.20179	1	Decal - Shield Is Off
3	16.20181	2	Decal - Rotating Parts
5	21.09025	3	Decal, Pinch Point
6	21.09045	2	Decal, Refrigerent Pressure
7	21.21131	2	Decal, Welding Notice
10	32.02943	1	Decal, Diesel Fuel
11	331096B2	3	Decal - Shield Missing
12	40.00472	8	Decal, Warning Hand Crushing
13	42.0801097	2	Decal - Fuse Panel
16	42.0802213	1	Kit: LX1214 Styling Decal
17	42.0900820	6	Decal - Danger, Rotor Entg'mt
18	42.0900821	4	Decal - Danger, Conveyor Entanglement
19	42.0900837	1	Decal - Grease Rotor Bearing
20	42.1501761	1	Decal - Patent List
21	42.1530028	1	Decal - Notice Hyd Oil Only
22	42.1530054	2	Decal - Oil Chain
23	42.1530126	1	Decal - Clutch Oil Specs
24	907219	2	Decal, Red 2x9 Retroreflective
25	907220	5	Decal, Ylw 2x9 Retroreflective
26	907225	1	Decal - Smv Emblem
27	907510	30	Decal - Grease

# 5.01 Cummins Engine Fuel Tank Assembly



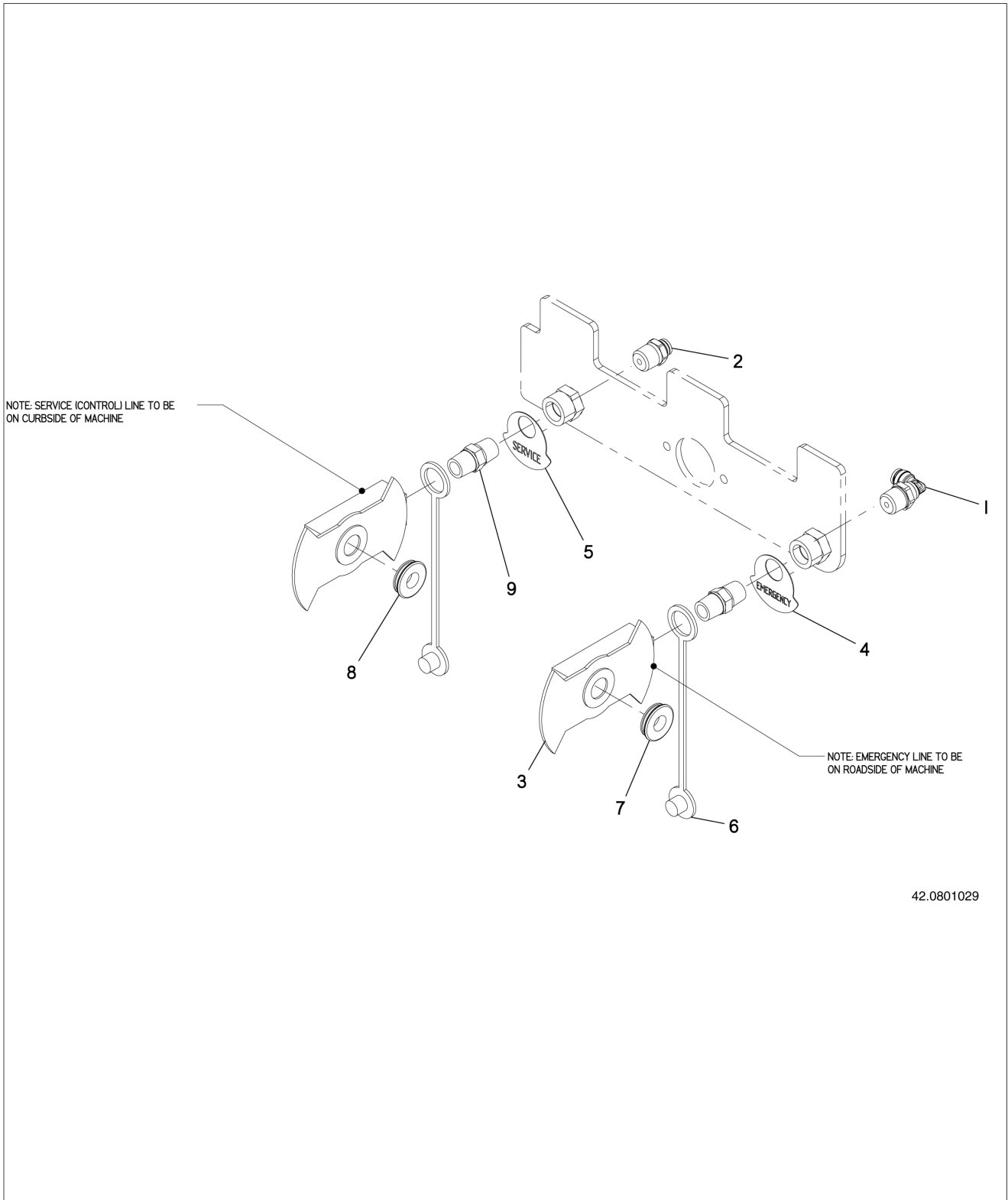
42.0801514

## 5.01 Cummins Engine Fuel Tank Assembly

Item	Part No.	Quantity	Description
1	07.17862	1	Adapter, 1/2 M JIC To 1/2 MPT
2	09.70941	8	Washer, Flat 1/2 in. Thick
3	09.74113	2	Nipple - Pipe 1/2 Hex
4	32.02629	12 Ft	Tape, UHMW Tivar .0625 in. x 2 in. (Order Per Foot)
5	32.04648	1	Adapter, -06 ORB x FJIC Swivel
6	32.60005	1	Elbow, 1/2 MPT x -06 MJIC
7	32.60010	1	Adapter, -06 ORB x 1/2 M JIC
8	42.0800252	1	Fuel Sender, Mp3
9	42.0800401	1	Tank, Fuel Wld
10	42.0800481	2	Spacer, Fuel & Hyd Tank
11	42.0801359	1	Valve: Solenoid, 1/2 NPT 12 Vdc
12	42.0801403	1	Valve: Fuel Check Cummins
13	42.1500058	1	Cap, Fuel 3 in., Vented
14	42.1540407	1	Plug - Hex Head #8mp
15	42.1541716	1	Valve, Ball 1/2 in.
16	903518	11	Hhdbl - G5 1/2 x 1-3/4 in.
17	906401	6	Hhdnut - Nylon Lk 1/2-13
18	907395	18	Washer, 1/2 Stainless Steel Flat
19	907399	8	Hhdnut - Nylon Lk 1/2-13 Flange
20	907494	5	Washer, #10 Flat Stainless Steel
21	907592	3	Hhdnut, 1/2-20 Nylock
22	907798	5	Hhcs, Stainless Steel #10-32 x 1.25
23	907801	6	Hhblt Gr 8 1/2-13 x 1-1/2 Yellow Zinc

Section 5

# 5.02 Gladhand Assembly

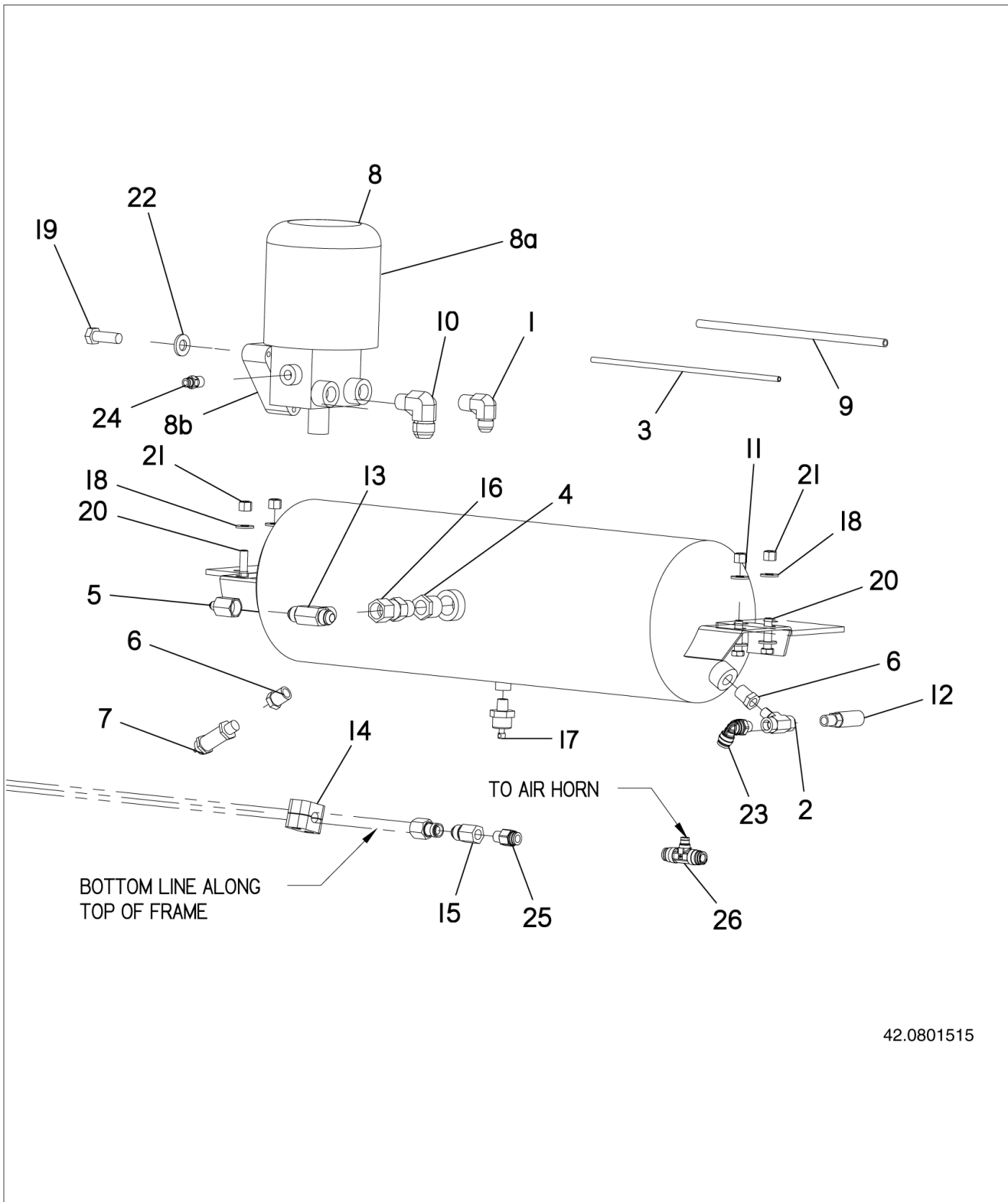


42.0801029

## 5.02 Gladhand Assembly

Item	Part No.	Quantity	Description
1	908490	1	Elbow: 1/2 MPT x 3/8 Tube
2	908489	1	Connector: 1/2 MPT x 3/8 Tube
3	42.1501038	2	Coupler, Gladhand Midland
4	42.0801028	1	Tag, Emergency Gladhand
5	42.0801027	1	Tag, Service Gladhand
6	42.0801026	2	Plug, Gladhand
7	42.0801025	1	Gladhand Seal, Red Emergency
8	42.0801024	1	Gladhand Seal, Blue Service
9	09.74113	2	Nipple - Pipe 1/2 Hex

### 5.03 Cummins Engine Air Tank Assembly



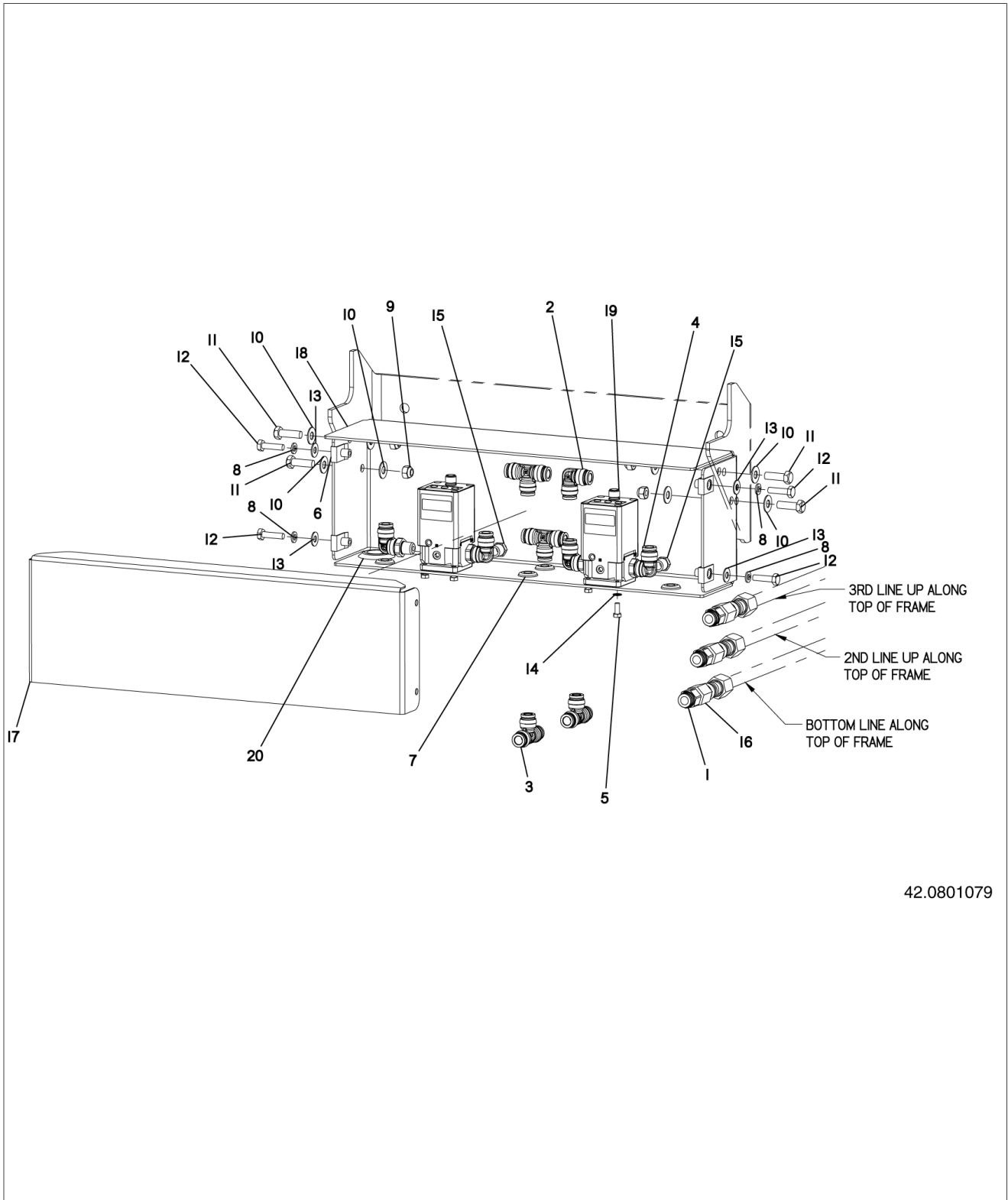
42.0801515



## 5.03 Cummins Engine Air Tank Assembly

Item	Part No.	Quantity	Description
1	07.19006	1	Elbow, 1/2 NPT x 1/2 MJIC
2	09.74134	1	Tee, Male Branch 1/4 NPTF
3	11.80539	60 Ft	Tubing, 1/4 in. Blue Nylon Air (Order Per Foot)
4	32.00698	1	Bushing, 3/4 x 1/2 Stainless Steel
5	32.04590	1	Adapter, 1/2 FJIC x 1/4 MJIC
6	32.60001	2	Bushing, 1/4 x 3/8 NPT Steel
7	32.60381	1	Valve, 150 Psi Safety
8	32.60723	1	Dryer, Bendix Air
8a	32.61157	1	Element
8b	32.60861	1	Purge Valve
9	32.60724	140 Ft	Tubing, 3/8 in. Blue Nylon Air (Order Per Foot)
10	32.60755	1	Elbow, 1/2 MPT x 3/4 MJIC
11	42.1501192	1	Tank - Air
12	42.1501476	1	Coupler, Female Airline #4 MPT
13	42.1540712	1	Tee: M Branch #8 MJ x #8 MJ x #8 MP
14	42.1541251	1	Clamp - Insert Sgl 1/2t Set
15	42.1541405	1	Connector - #8 MJ x #4 FP
16	42.1541540	1	Valve, Check 1/2 in.
17	42.1541541	1	Valve, Drain Midland
18	901105	8	Washer - Flat 3/8 in. SAE
19	903306	3	Hhblt G 5 1/2-13 x 1.50
20	903848	4	Hhdbl - 3/8-16 x 1-1/2
21	906400	4	Nut: Hex Nylon Lk 3/8-16
22	907594	3	Flatwasher, 1/2 Hardened
23	908468	1	Elbow: 1/4 MPT x 3/8 Tube
24	908477	1	Connector: 1/4 MPT x 1/4 Tube
25	908479	1	Connector: 1/4 MPT x 3/8 Tube
26	908481	1	Tee: 3/8 Tube x 1/4 Tube Union

# 5.04 Brake Valve Asm

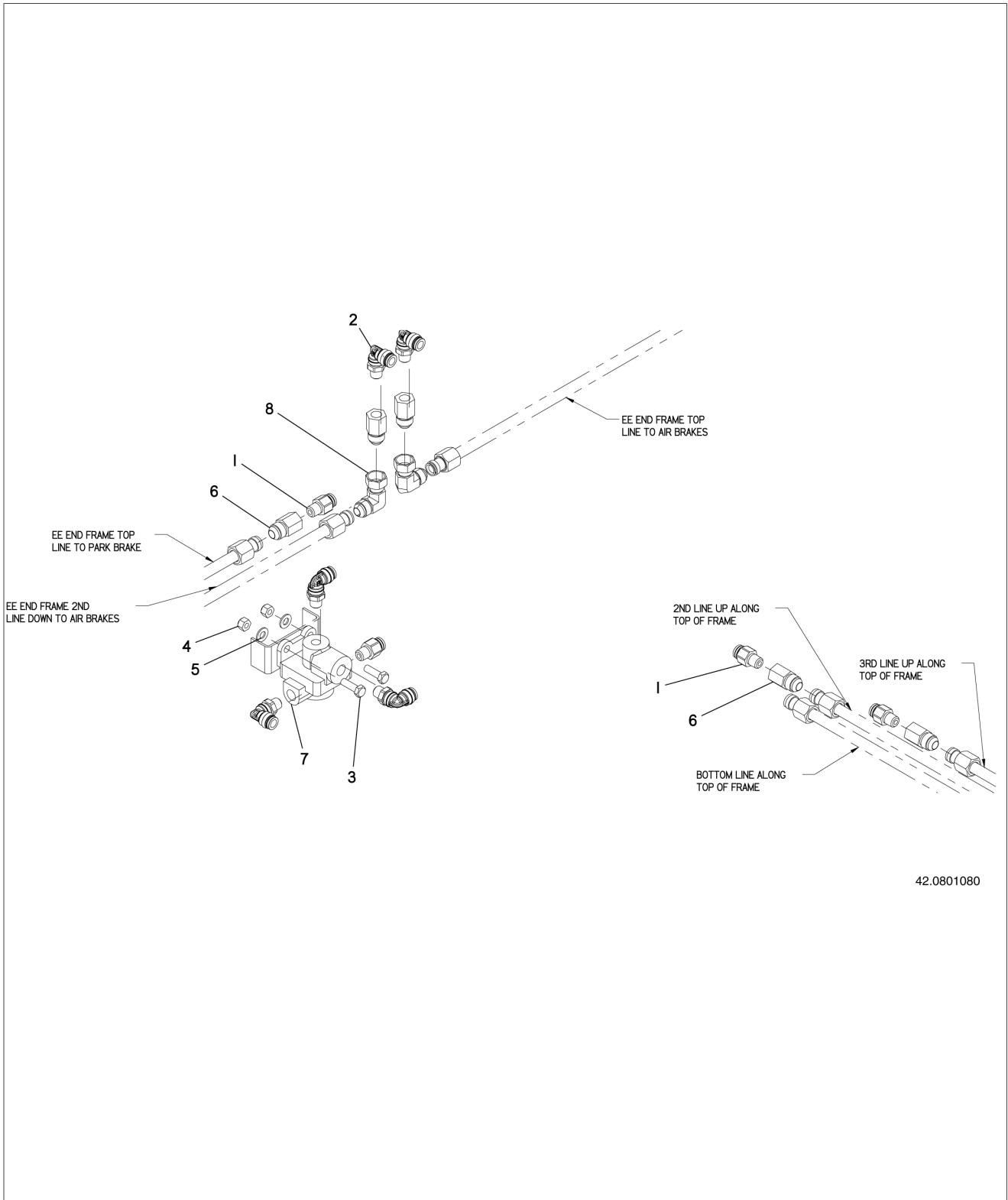


42.0801079

## 5.04 Brake Valve Asm

Item	Part No.	Quantity	Description
1	908479	3	Connector: 1/4 MPT x 3/8 Tube
2	908474	1	Elbow: 3/8 Tube Union
3	908473	4	Tee: 3/8 Tube Union
4	908468	4	Elbow: 1/4 MPT x 3/8 Tube
5	908083	8	Bolt: Hhd M5 x 12 Cls 8.8
6	907963	4	Nut: Clip- 1/4-20
7	907802	4	Grommet, 5/8 Hole
8	907417	4	Washer: Stainless Steel Lock 1/4 In.
9	907390	4	Hhdnut, 5/16-18 Stainless Steel Nylock
10	907379	8	Washer, Stainless Steel 5/16 Flat
11	907349	4	Hhdbl - Stainless Steel 5/16-18 x 1
12	907322	4	Bolt: Hhd Stainless Steel 1/4-20 x 1
13	907234	4	Washer: Stainless Steel Flat 1/4 In.
14	903901	8	Washer, Star #10 Internal
15	46.04709	2	Breather Plug Rams(94) 1/4 in. MPT
16	42.1541405	3	Connector - #8 MJ x #4 FP
17	42.0800607	1	Cover, Reg Valve
18	42.0800606	1	Bracket, Reg Valve Mnt
19	42.0800223	2	Valve, Prop Air Electric
20	32.60583	1	Grommet, 7/8 Hole

# 5.05 Air Valve Asm, Engine End

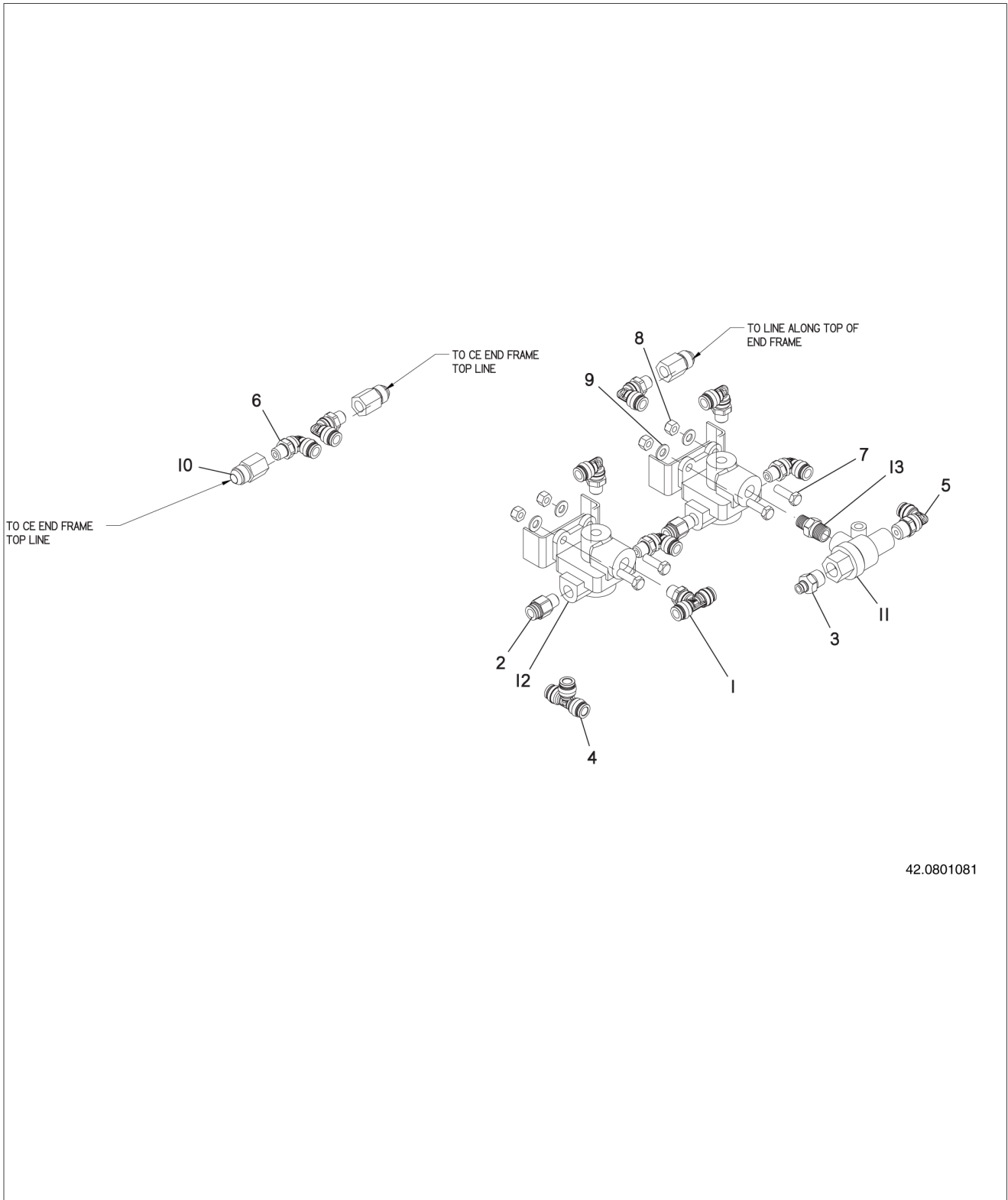


## 5.05 Air Valve Asm, Engine End

Item	Part No.	Quantity	Description
1	908479	4	Connector: 1/4 MPT x 3/8 Tube
2	908468	5	Elbow: 1/4 MPT x 3/8 Tube
3	907349	2	Hhdbl - Stainless Steel 5/16-18 x 1
4	906483	2	Hhdnut, 5/16-18 Nylock
5	904324	2	Washer - Flat 5/16 in.
6	42.1541405	5	Connector - #8 MJ x #4 FP
7	32.60386	1	Valve, Quick Release Bw 289182
8	09.74149	2	Elbow, 90 1/2 in. JIC Swivel

Section 5

# 5.06 Air Valve Asm - Cab End

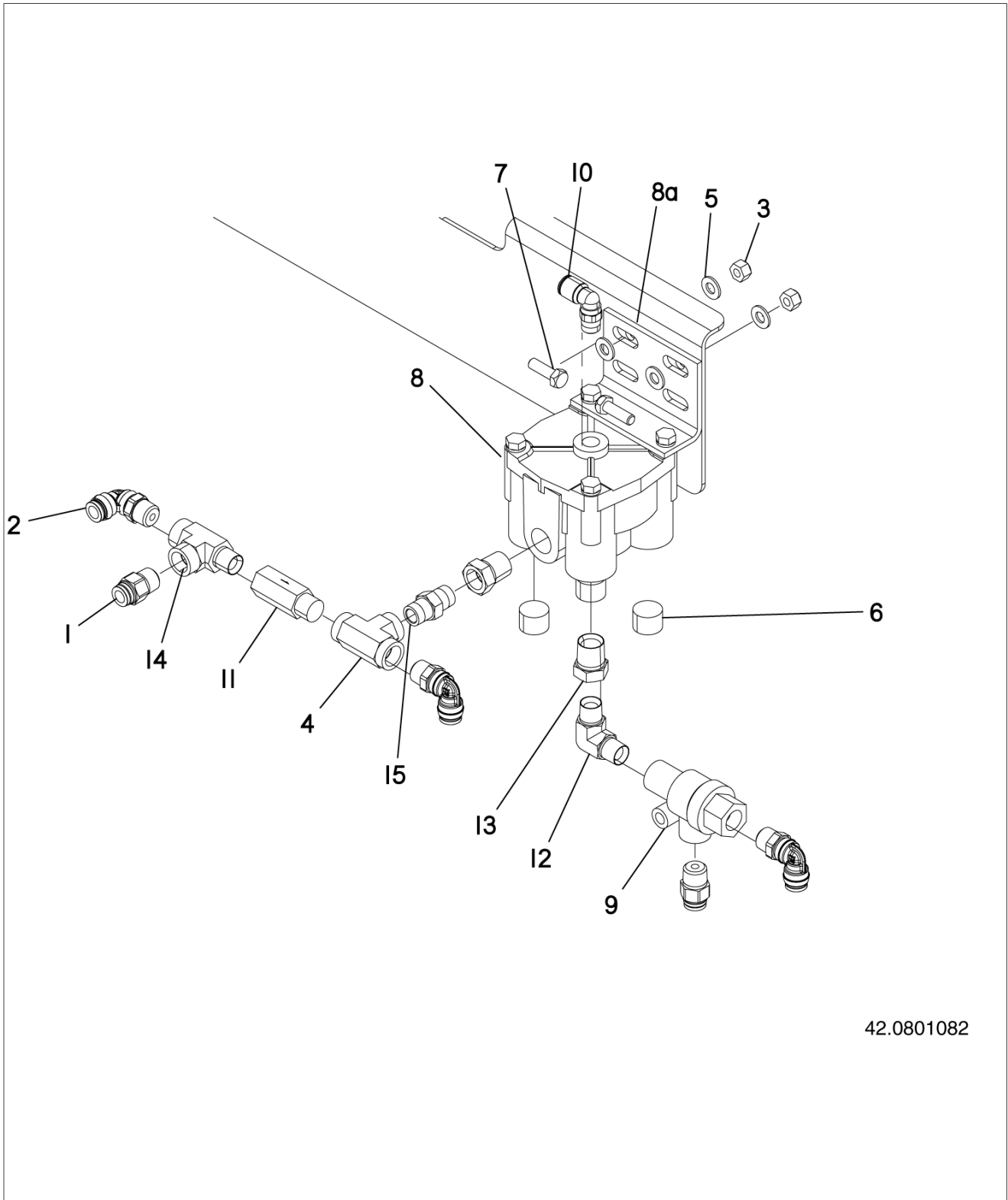


42.0801081

## 5.06 Air Valve Asm - Cab End

Item	Part No.	Quantity	Description
1	908491	1	Tee: 1/4 MPT x 3/8 Tube Branch
2	908479	2	Connector: 1/4 MPT x 3/8 Tube
3	908478	1	Connector: 3/8 MPT x 1/4 Tube
4	908473	1	Tee: 3/8 Tube Union
5	908469	1	Elbow: 3/8 MPT x 3/8 Tube
6	908468	7	Elbow: 1/4 MPT x 3/8 Tube
7	907349	4	Hhdbl - Stainless Steel 5/16-18 x 1
8	906483	4	Hhdnut, 5/16-18 Nylock
9	904324	4	Washer - Flat 5/16 in.
10	42.1541405	3	Connector - #8 MJ x #4 FP
11	42.0801066	1	Valve, Double Check Air Brakes
12	32.60386	2	Valve, Quick Release Bw 289182
13	09.74136	1	Nipple, 3/8 x 1/4 NPT

### 5.07 Relay Valve Asm - Cab End



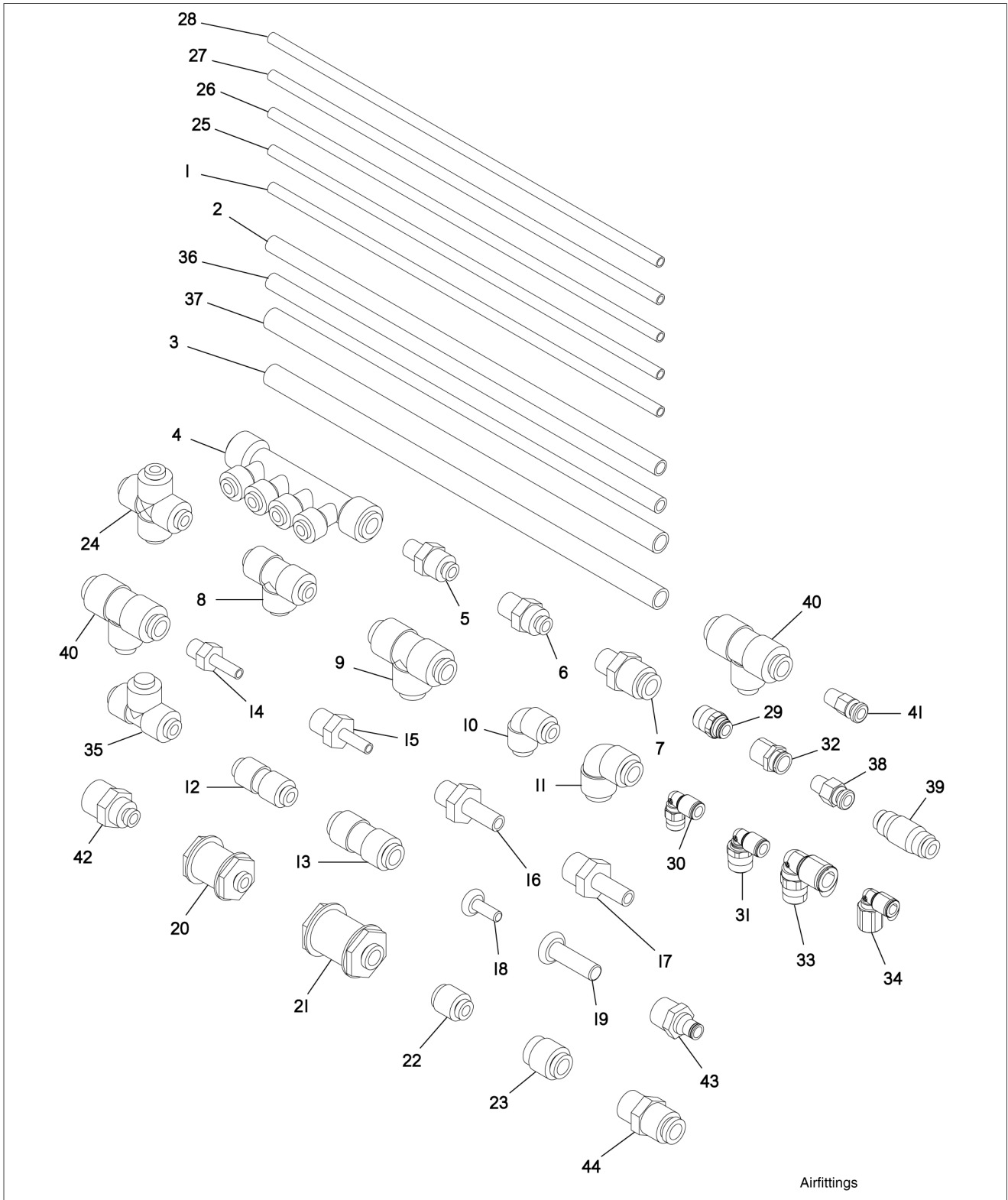
42.0801082



## 5.07 Relay Valve Asm - Cab End

Item	Part No.	Quantity	Description
1	908480	2	Connector: 3/8 MPT x 3/8 Tube
2	908469	3	Elbow: 3/8 MPT x 3/8 Tube
3	906483	2	Hhdnut, 5/16-18 Nylock
4	905069	1	Tee, 3/8 NPT Female
5	904324	4	Washer - Flat 5/16 in.
6	903096	3	Pipe Plug, 1/2 Soc Hd
7	902859	2	Bolt: Hhd G5 5/16 x 1 In. Yellow Zinc
8	42.0801067	1	Valve, Relay Air Brakes
8a	42.0801291	1	Bracket
9	42.0801066	1	Valve, Double Check Air Brakes
10	32.60732	1	Elbow, 1/4 MPT x 3/8 Tube
11	32.60387	1	Valve, Check
12	32.01607	1	Elbow, 3/8 MPT x 3/8 MPT
13	32.01605	2	Bushing, 1/2 x 3/8 NPTF
14	32.01602	1	Tee, 3/8 in. NPTF Service
15	09.74138	1	Nipple, Hex 3/8 NPTF

# 5.08 Air Fittings



## 5.08 Air Fittings

Item	Part No.	Quantity	Description
1	11.80528	AR	Tubing, 1/4 in. Nylon Air
2	11.80529	AR	Tubing, 3/8 in. Nylon Air
3	11.80530	AR	Tubing, 1/2 in. Nylon Air
4	32.02370	AR	Manifold, Air Line
5	32.01480	AR	Connector, 1/4 in. Tube x 1/8 in. MPT
6	32.01481	AR	Connector, 1/4 in. Tube x 1/4 in. MPT
7	32.01482	AR	Connector, 3/8 in. Tube x 1/4 in. MPT
8	32.01483	AR	Tee, 1/4 in. Air Union
9	32.01484	AR	Tee, 3/8 in. Air Union
10	32.01485	AR	Elbow, 1/4 in. Air Union
11	32.01486	AR	Elbow, 3/8 in. Air Union
12	32.01487	AR	Connector, 1/4 in. Air Union
13	32.01488	AR	Connector, 3/8 in. Air Union
14	32.01489	AR	Tube Stem, 1/4 in. Tube x 1/8 in. MPT
15	32.01490	AR	Tube Stem, 1/4 in. Tube x 1/4 in. MPT
16	32.01491	AR	Tube Stem, 3/8 in. Tube x 1/4 in. MPT
17	32.01492	AR	Tube Stem, 3/8 in. Tube x 3/8 in. MPT
18	32.01493	AR	Stem Plug, 1/4 in. Air
19	32.01494	AR	Stem Plug, 3/8 in. Air
20	32.01495	AR	Connector, 1/4 in. Air Bulkhead
21	32.01496	AR	Connector, 3/8 in. Air Bulkhead
22	32.01497	AR	Stop, 1/4 in. Air End
23	32.01498	AR	Stop, 3/8 in. Air End
24	32.03307	AR	Cross, 1/4 in. Air Union
25	11.80537	AR	Tubing, 1/4 in. Red Nylon Air
26	11.80538	AR	Tubing, 1/4 in. Green Nylon Air
27	11.80539	AR	Tubing, 1/4 in. Blue Nylon Air
28	11.80540	AR	Tubing, 1/4 in. Yellow Nylon Air
29	32.60016	AR	Connector, 1/4 in. MPT x 1/4 in. Tube
30	32.60017	AR	Elbow, 1/8 in. MPT x 1/4 in. Tube
31	32.60018	AR	Elbow, 1/4 in. MPT x 1/4 in. Tube
32	32.60735	AR	Air Fitting, 1/4 in. MPT x 3/8 in. Tube
33	32.60732	AR	Elbow, 1/4 in. MPT x 1/4 in. Tube
34	32.60802	AR	Elbow, 1/4 in. Tube x 1/8 in. FPT
35	32.04374	AR	Valve, 1/4 in. Pneumatic
36	32.60724	AR	Tubing, 3/8 in. Blue Nylon Air
37	32.60725	AR	Tubing, 1/2 in. Blue Nylon Air
38	21.00265	AR	1/8 in. NPT x 1/4 in. Compression Fitting
39	32.04900	AR	Check Valve, 1/4 in. Air
40	32.02949	AR	Tee, 3/8 in. x 1/4 in. Air Union
41	32.61943	AR	Fitting, 1/8 in. NPT x 1/4 in. Int Hex

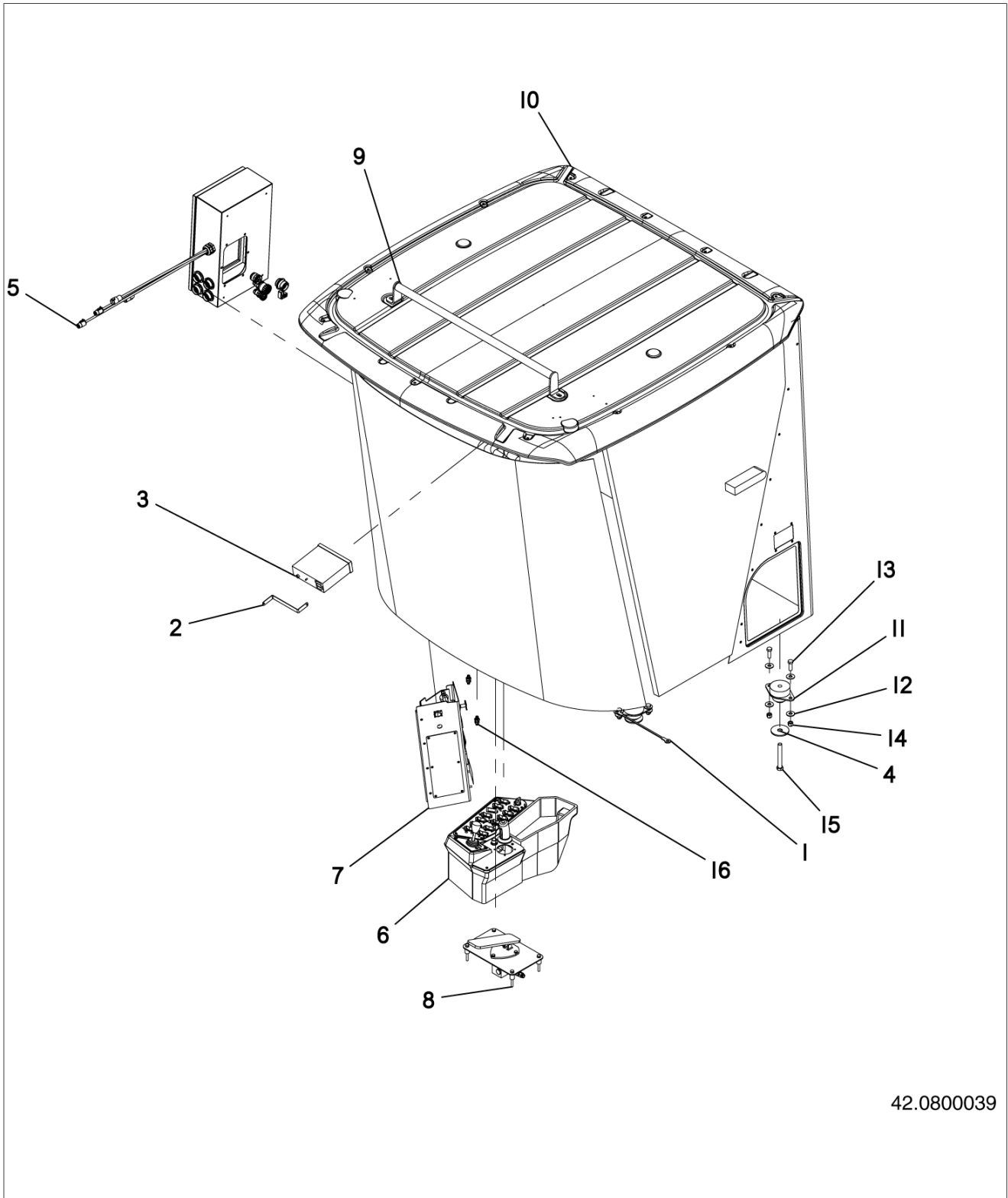
## Section 5

### 5.08 Air Fittings

Item	Part No.	Quantity	Description
42	32.05562	AR	Connector, 1/4 in. Tube x 1/4 in. FPT
43	42.1541416	AR	Connector, Air Line, 1/4 in. Tube x 3/8 in. MP
44	908082	AR	Connector, 3/8 in. Tube x 3/8 in. MPT

***This Page Intentionally Left Blank***

# 6.01 Cab Asm

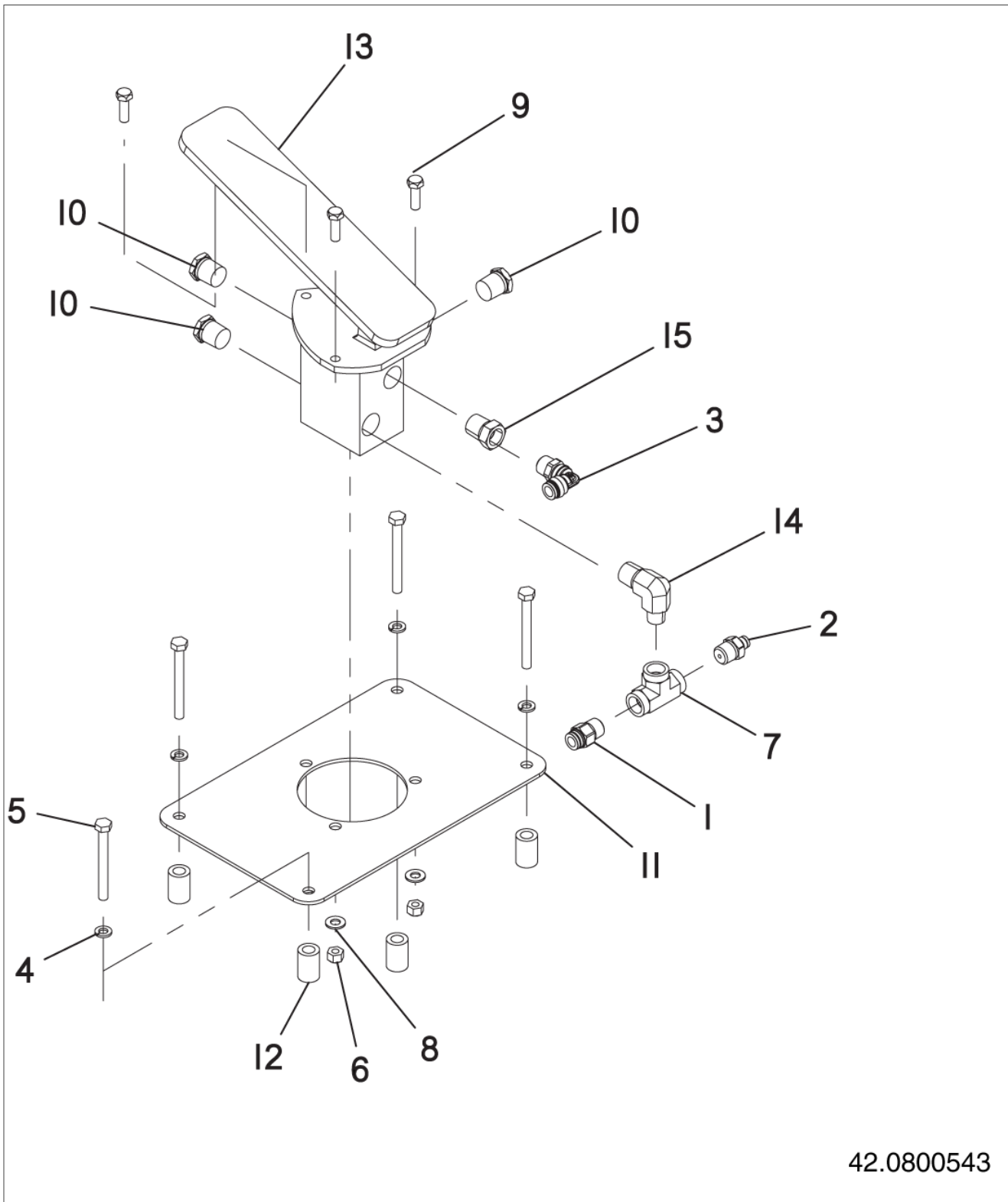


42.0800039

## 6.01 Cab Asm

Item	Part No.	Quantity	Description
1	21.00110	1	Strap: Grounding (cab/eng)
2	21.41971	1	Strap: Radio Brace
3	21.48441	1	Radio: Delphi W/ Cd
4	32.60598	4	Washer, Lord Mnt
5	42.0800057	1	Junction Box Asm, X1114
6	42.0800181	1	RH Instr Panel Asm, Mb
7	42.0800189	1	Panel- Cab Post Asm
8	42.0800543	1	Brake Pedal Asm
9	42.0800699	1	Railing Asm - Cab Roof
10	42.0900572	1	Cab, Ag Bag
11	42.1501529	4	Mount, Cab
12	900497	16	Washer - Flat 1/2 in. Std
13	903306	8	Hhblt G 5 1/2-13 x 1.50
14	906401	8	Hhdnut - Nylon Lk 1/2-13
15	907857	4	Hhdbl, G 10.9 M16 x 120
16	908493	2	Connector: 1/4 Tube Bulkhead

### 6.02 Brake Pedal Asm



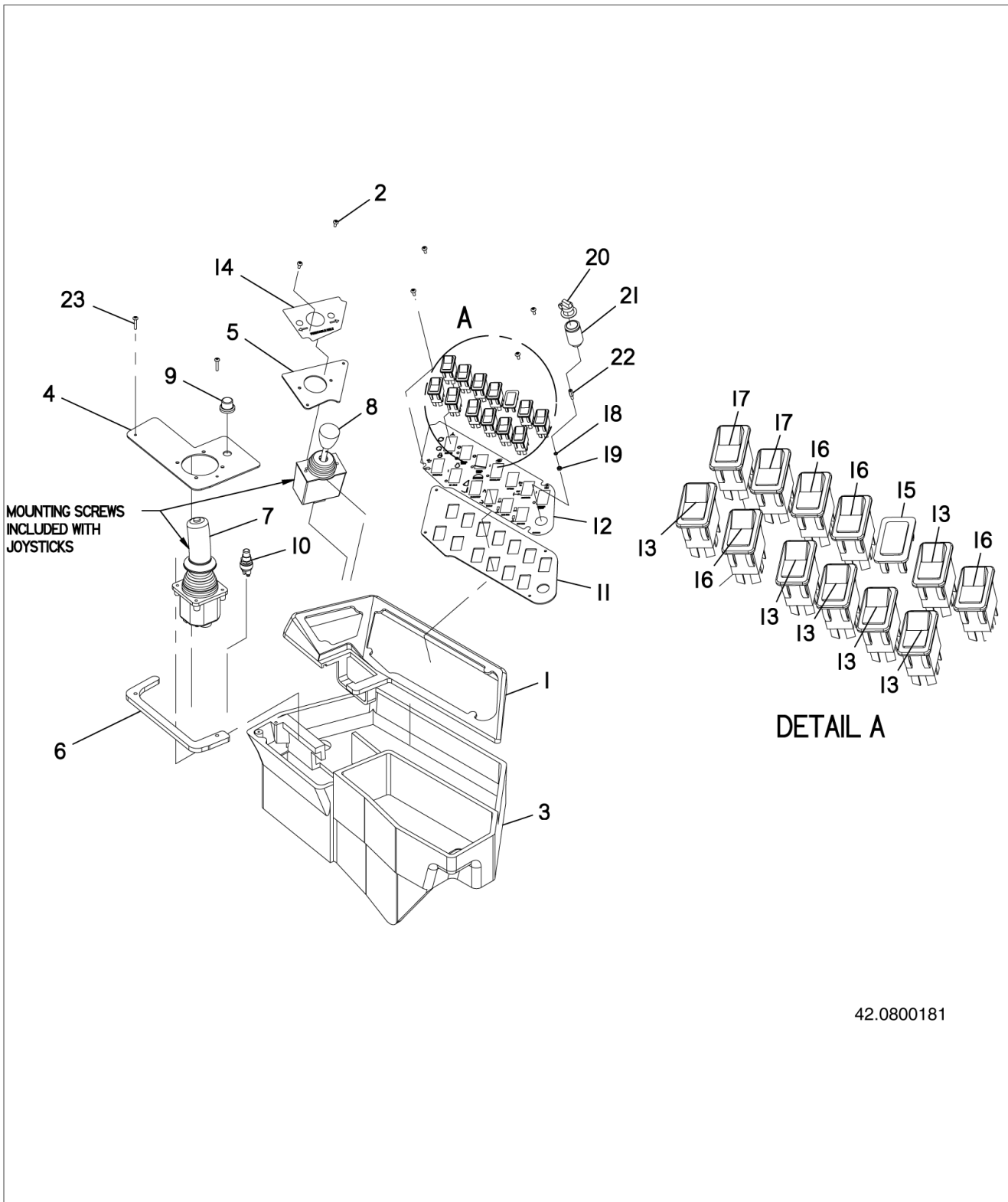
42.0800543



## 6.02 Brake Pedal Asm

Item	Part No.	Quantity	Description
1	908480	1	Connector: 3/8 MPT x 3/8 Tube
2	908478	1	Connector: 3/8 MPT x 1/4 Tube
3	908469	1	Elbow: 3/8 MPT x 3/8 Tube
4	907699	4	Lockwasher, M8
5	907210	4	Hhdblt - G8.8 M8 - 1.25 x 75
6	906483	3	Hhdnut, 5/16-18 Nylock
7	905069	1	Tee, 3/8 NPT Female
8	904324	3	Washer - Flat 5/16 in.
9	902859	3	Bolt: Hhd G5 5/16 x 1 In. Yellow Zinc
10	42.1540407	3	Plug - Hex Head #8 MP
11	42.0800542	1	Plate, Brake Pedal Mount
12	32.60679	4	Tube, 3/4 x 5/32 x 1-1/8
13	32.60356	1	Valve, Treadle Wm472d
14	32.01606	1	Elbow, 3/8 MPT x 1/2 MPT
15	32.01605	1	Bushing, 1/2 x 3/8 NPTF

### 6.03 Right Hand Panel Assembly

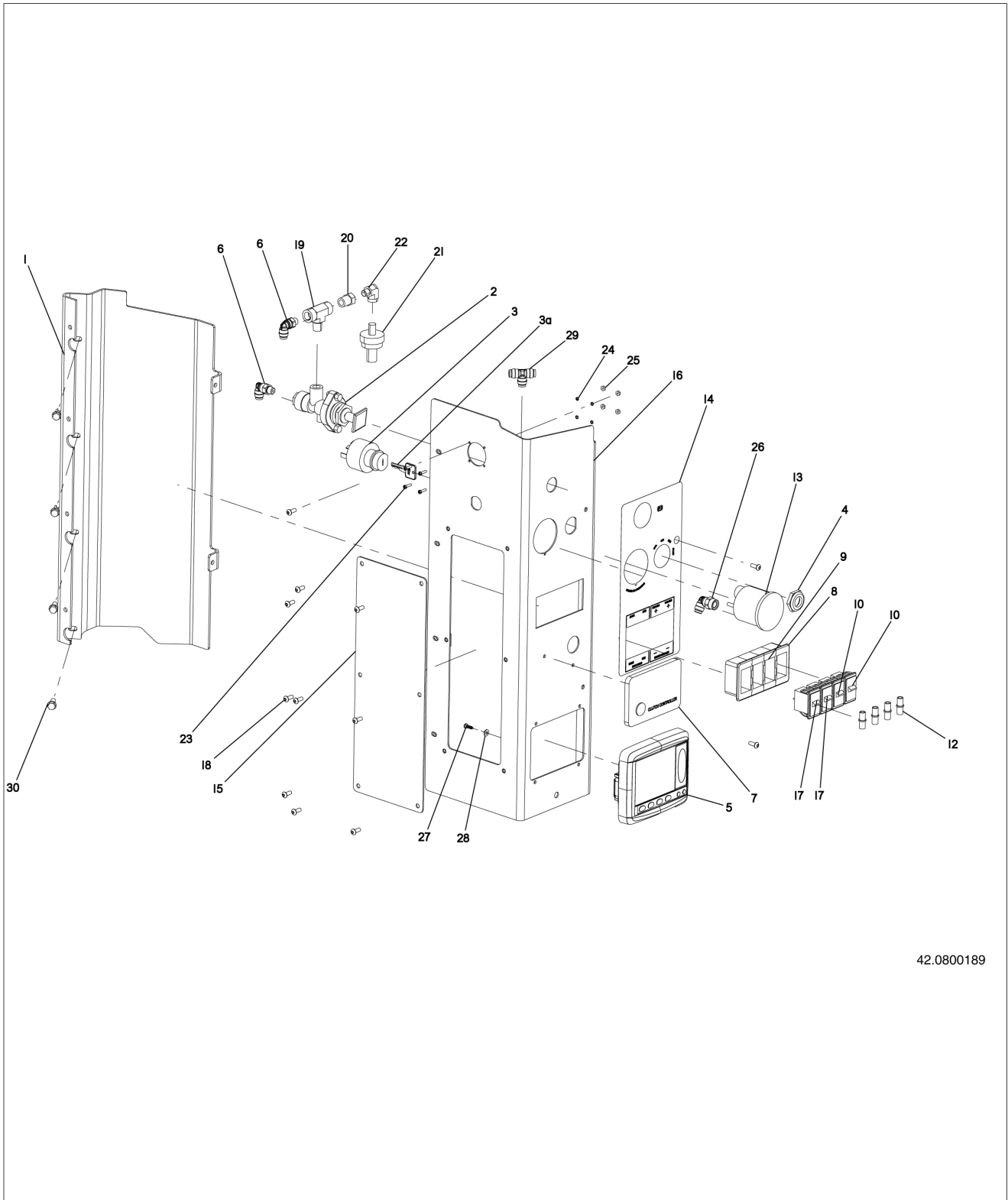


42.0800181

## 6.03 Right Hand Panel Assembly

Item	Part No.	Quantity	Description
1	42.0800183	1	Armrest, Machined RH Cab
2	907111	6	Screw, #8 x 1/2 Truss Tap
3	42.0800184	1	Console, Modified RH
4	42.0800185.5	1	Plate, Joystick And Switch Mount
5	42.0800182.5	1	Plate-Console Joystick Mount
6	42.0800186.5	1	Plate-Spacer
7	42.0800215	1	Joystick - Drive Jc6000
8	42.0800214	1	Joystick - Jc150
9	21.25085	1	Cap, Push Button
10	21.20425	1	Switch, Ether Start Push Button
11	42.0800285.5	1	Plate, Right Console
12	42.0801343	1	Decal: Console, Right
13	21.00094	6	Switch, Dpdt Momentary
14	42.0800608	1	Decal, Console Joystick
15	21.00116	1	Switch, Blank
16	32.03720	4	Switch, Dpdt 2 Position
17	42.0800605	2	Switch - Dpdt 3 Pos Blk Euro/sr
18	32.61873	1	Washer - Lock Cig Lighter (Included With Cab)
19	32.61872	1	Nut Cig Lighter (Included With Cab)
20	21.41944	1	Cap - Cigar Ligher (Included With Cab)
21	32.61875	1	Housing Cig Lighter (Included With Cab)
22	32.61874	1	Spacer Cig Lighter (Included With Cab)
23	908147	2	Screw, #8 x 1 in. Truss Tap Zc

# 6.04 Panel Cab Post Assembly

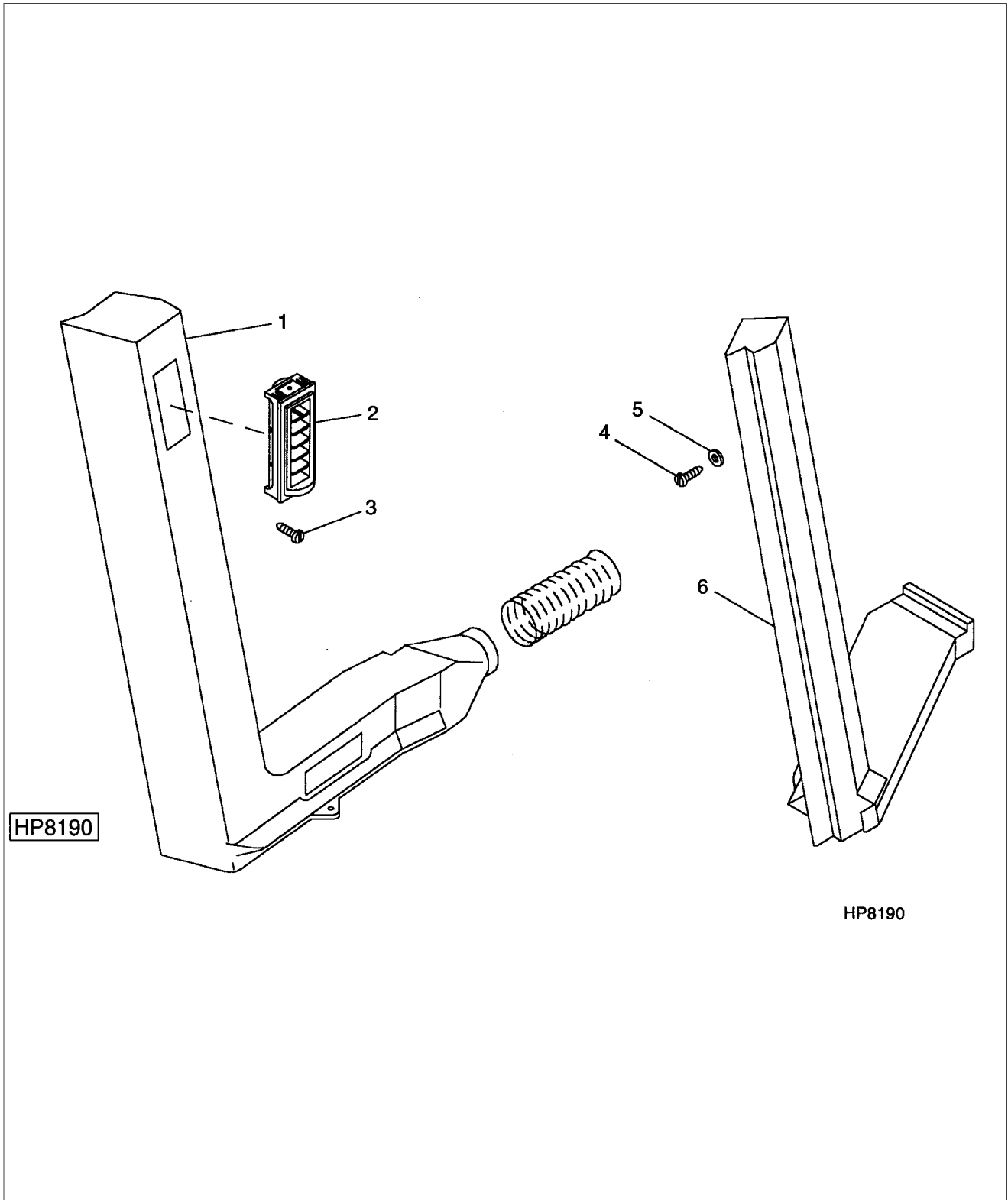


42.0800189

## 6.04 Panel Cab Post Assembly

Item	Part No.	Quantity	Description
1	42.0800286.5	1	Inst Panel Mount- Wld
2	32.60378	1	Valve, Air Parking
3	42.1501514	1	Switch, Ignition
3a	44.22205	1	Key, Ignition
4	42.1501515	1	Nut, Ignition Switch
5	42.0800134	1	Module - Display IQAN Md3
6	908466	2	Elbow: 1/8 MPT x 1/4 Tube
7	42.0800779	1	Controller - Clutch Display
8	42.1501592	2	Panel, Crl Rkr Mnt End
9	42.1501591	2	Panel, Crl Rkr Mnt Cntr
10	42.1501590	2	Switch, Carl Rkr SPDT Mom
12	42.1501593	4	Actuator: Carl Rkr Red Lens
13	42.1501456	1	Air Gauge, 150 Psi Back Mt
14	42.0800586	1	Label, Cab Post Panel
15	42.0800706.5	1	Plate - Access Cover
16	42.0800705.5	1	Corner Post Panel Wld
17	42.1501589	2	Switch, Carl Rkr SPST Det
18	907702	12	Btnhdblt, #10-24 x 1/2 Stainless Steel
19	09.74134	1	Tee, Male Branch 1/4 NPTF
20	905524	1	Bushing - Reducer 1/4 x 1/8
21	32.60358	1	Switch, Pressure
22	32.60003	1	Elbow, 1/8 Fpt x 1/8 MPT
23	907290	4	Screw: Machine #4-40x.50 Stainless Steel
24	907292	4	Washer - Lock Stainless Steel #4
25	907291	4	Nut, Machine #4-40 Stainless Steel
26	908472	1	Elbow: 1/8 Fpt x 1/4 Tube
27	908402	4	Screw, M4 x 12mm Torx Plastite
28	907525	4	Washer - Flat Stainless Steel #8
29	908488	1	Tee: 1/4 Tube Union
30	907348	4	Hhd Screw, 1/4-20 x 3/4 Stainless Steel Tc

### 6.05 Air Conditioning & Heater Ducts



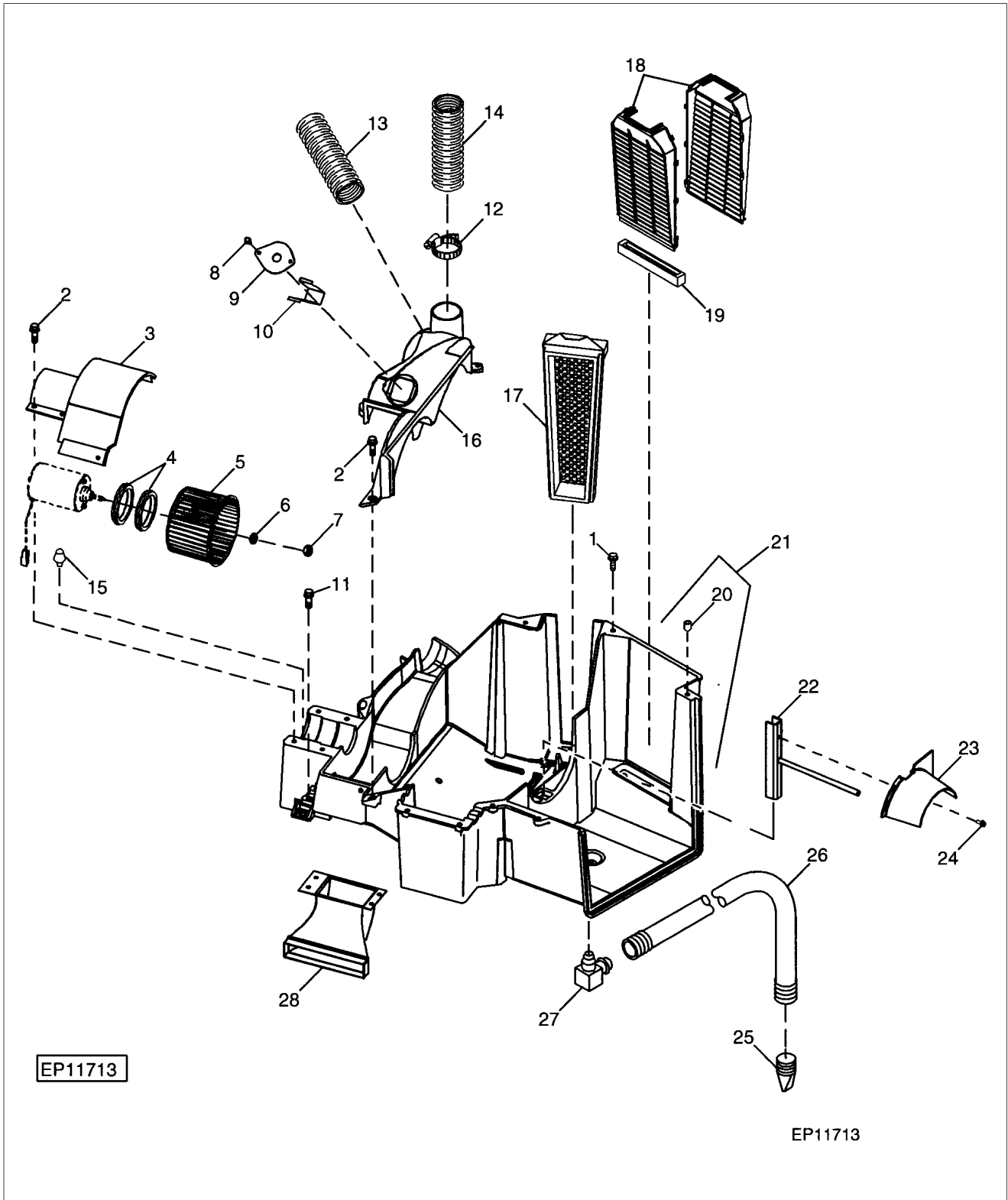
HP8190

HP8190

## 6.05 Air Conditioning & Heater Ducts

Item	Part No.	Quantity	Description
1	32.61815	1	Air Duct, R.H.
2	21.23477	6	Louver
3	32.61817	1	Screw, M6 x 16mm
4	32.61824	1	Screw
5	32.61825	1	Washer
6	32.61826	1	Housing, L.H.

# 6.06 Air Conditioning, Heater Housing & Filters - Lower

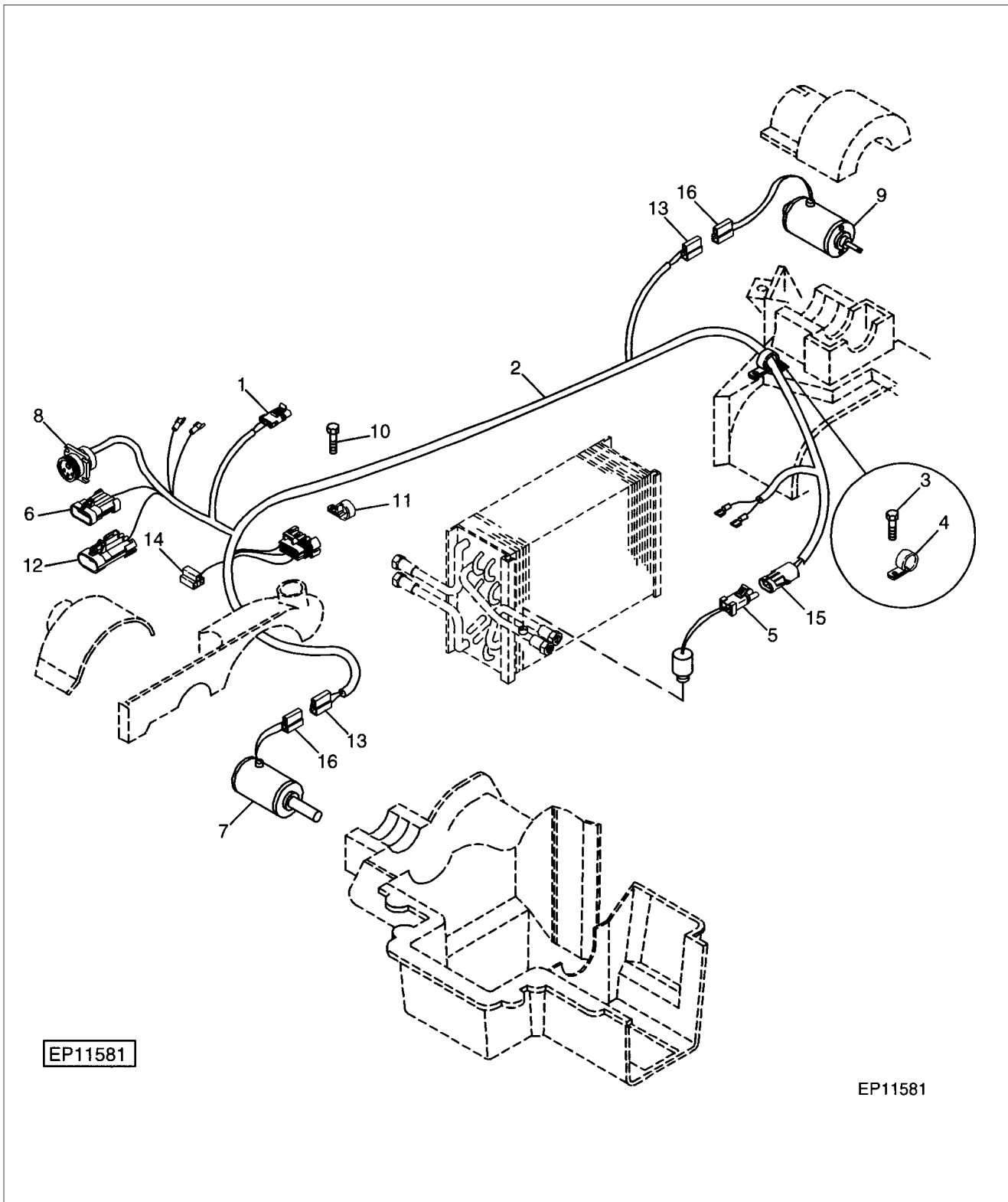




## 6.06 Air Conditioning, Heater Housing & Filters - Lower

Item	Part No.	Quantity	Description
1	21.25589	2	Screw, M8 x 50mm
2	21.25590	AR	Screw, M6 x 20mm
3	21.25591	1	Cover, Recirculation Blower
4	21.25592	2	Isolator
5	21.25237	1	Blower Fan
6	21.25593	1	Washer
7	21.25594	1	Lock Nut, M4
8	21.25595	2	Screw
9	21.25596	1	Resistor
10	21.25597	1	Shield
11	21.30779	2	Screw, M6 x 20mm
12	21.25598	2	Hose Clamp
13	21.25599	1	Line, R.H.
14	21.25600	1	Line, Rear
15	21.25601	1	Isolator
16	21.25602	1	Housing
17	21.21623	1	Air Filter, Recirculation
18	21.25603	2	Housing
19	21.25604	1	Seal
20	21.25605	22	Insert
21	21.25606	1	Housing, Lower
22	21.25607	1	Support, Filter
23	21.25608	1	Dust Shield
24	32.61663	1	Screw, M6 x 12mm
25	21.25609	1	Check Valve
26	21.25610	1	Tube
27	21.25611	1	Fitting
28	21.25612	1	Air Duct. Blower

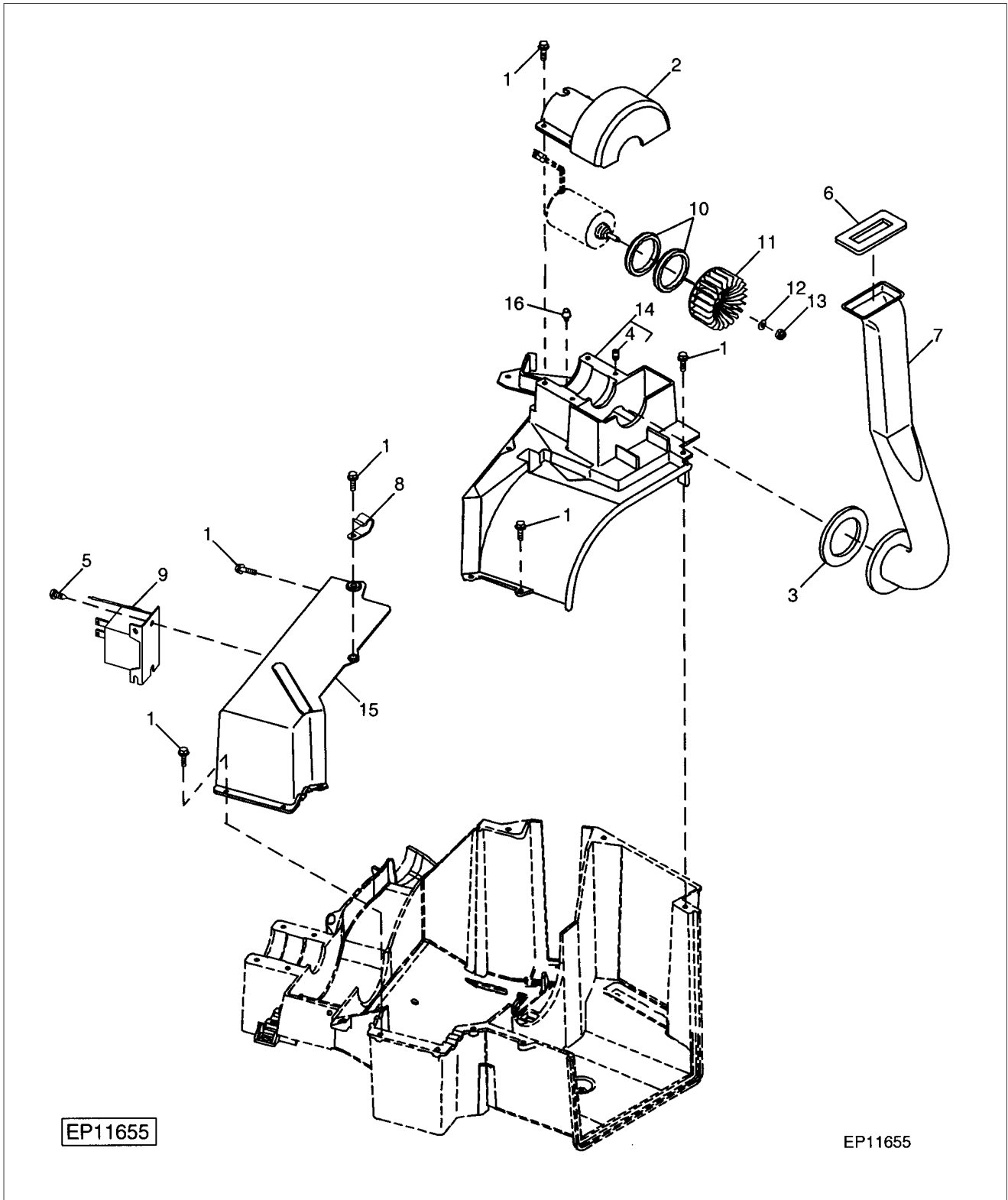
# 6.07 Air Conditioning, Heater & Air Seat Wiring Harness



## 6.07 Air Conditioning, Heater & Air Seat Wiring Harness

Item	Part No.	Quantity	Description
1	21.25613	1	Electrical Connector Assembly
	21.25614	1	Electrical Connector Accessory
	21.25615	1	Electrical Connector Terminal
	21.25616	1	Electrical Connector Accessory
2	21.25617	1	Wiring Harness
3	21.25590	1	Screw, M6 x 20mm
4	32.61765	1	Clip
5	21.25618	1	Switch
6	21.25619	1	Electrical Connector Assembly
	21.25620	1	Electrical Connector Accessory
	21.25621	1	Electrical Connector Terminal
	21.25622	1	Electrical Connector Accessory
7	21.21842	1	Blower Motor Air Conditioning - Heater
8	21.25623	1	Electrical Connector Assembly
	21.25624	1	Electrical Connector Terminal
	21.25625	1	Electrical Connector Terminal
9	21.20482	1	Blower Motor Pressurization Recirculation
10	21.25595	1	Screw
11	21.25089	1	Clip
12	21.25626	1	Electrical Connector Housing
	21.25627	1	Electrical Connector Assembly
	21.25628	1	Electrical Connector Terminal
	21.25616	1	Electrical Connector Accessory
	21.25629	1	Electrical Connector Assembly
13	21.25630	1	Electrical Connector Terminal
	21.25631	1	Electrical Connector Terminal
	21.25632	1	Electrical Connector Assembly
14	21.25630	1	Electrical Connector Terminal
	21.22671	1	Electrical Connector Assembly
15	21.25633	1	Electrical Connector Terminal
	21.25634	1	Electrical Connector Seal
	21.25635	1	Electrical Connector Assembly

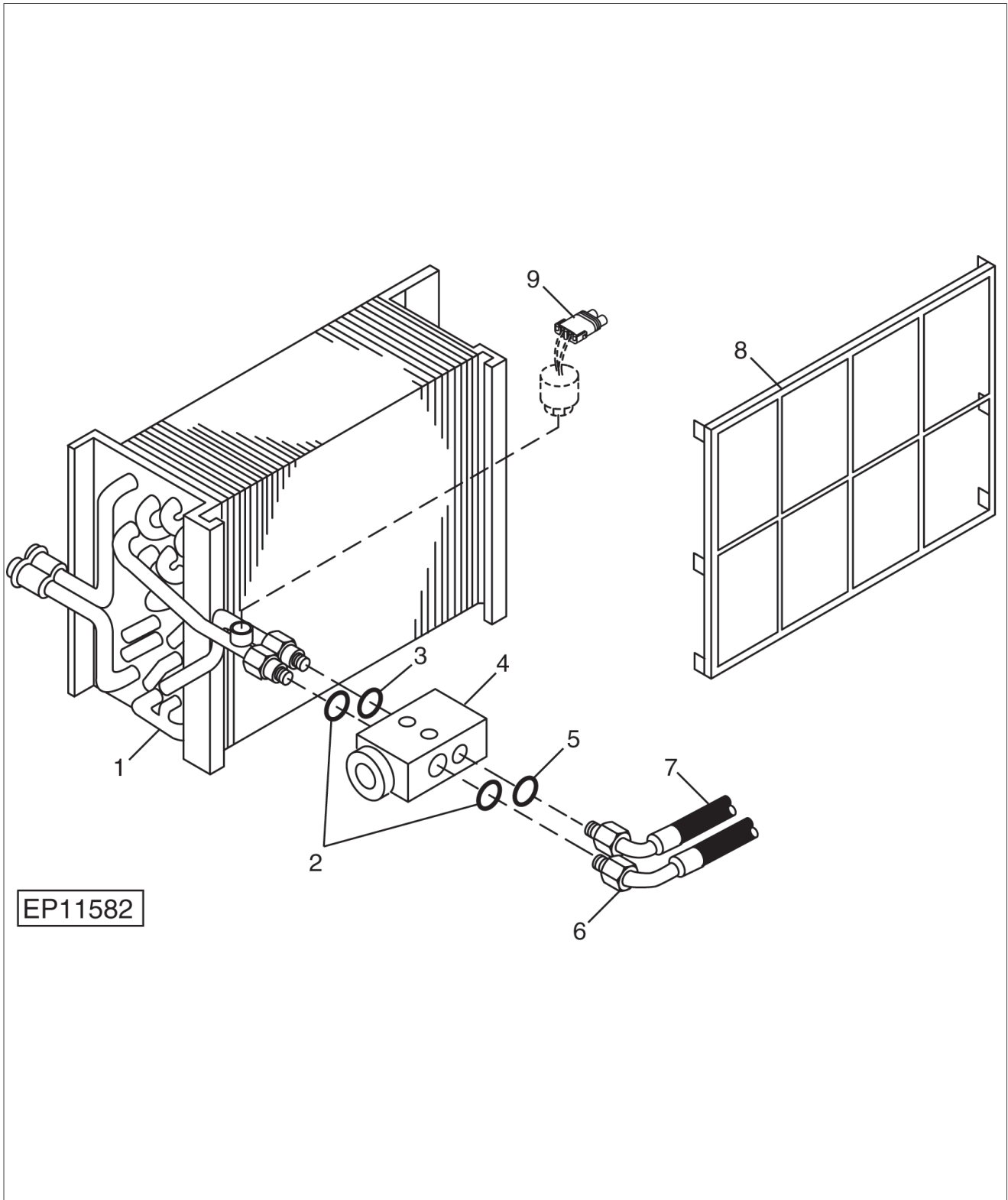
# 6.08 Air Conditioning & Heater Housing - Upper



## 6.08 Air Conditioning & Heater Housing - Upper

Item	Part No.	Quantity	Description
1	21.25590	AR	Screw, M6 x 20mm
	21.25636	AR	Screw
2	21.25637	1	Cover
3	21.25638	1	Seal
4	21.25605	5	Insert
5	21.25595	2	Screw
6	21.25639	1	Seal
7	21.25640	1	Air Duct
8	21.25089	1	Clip
9	21.25641	1	AC Compressor Switch
	21.23697	1	AC/Heat Temperature Switch
10	21.25642	2	Isolator
11	21.20483	1	Fan
12	21.25593	1	Washer
13	21.25594	1	Lock Nut, M4
14	21.25643	1	Housing
15	21.25644	1	Housing
16	21.25601	1	Isolator

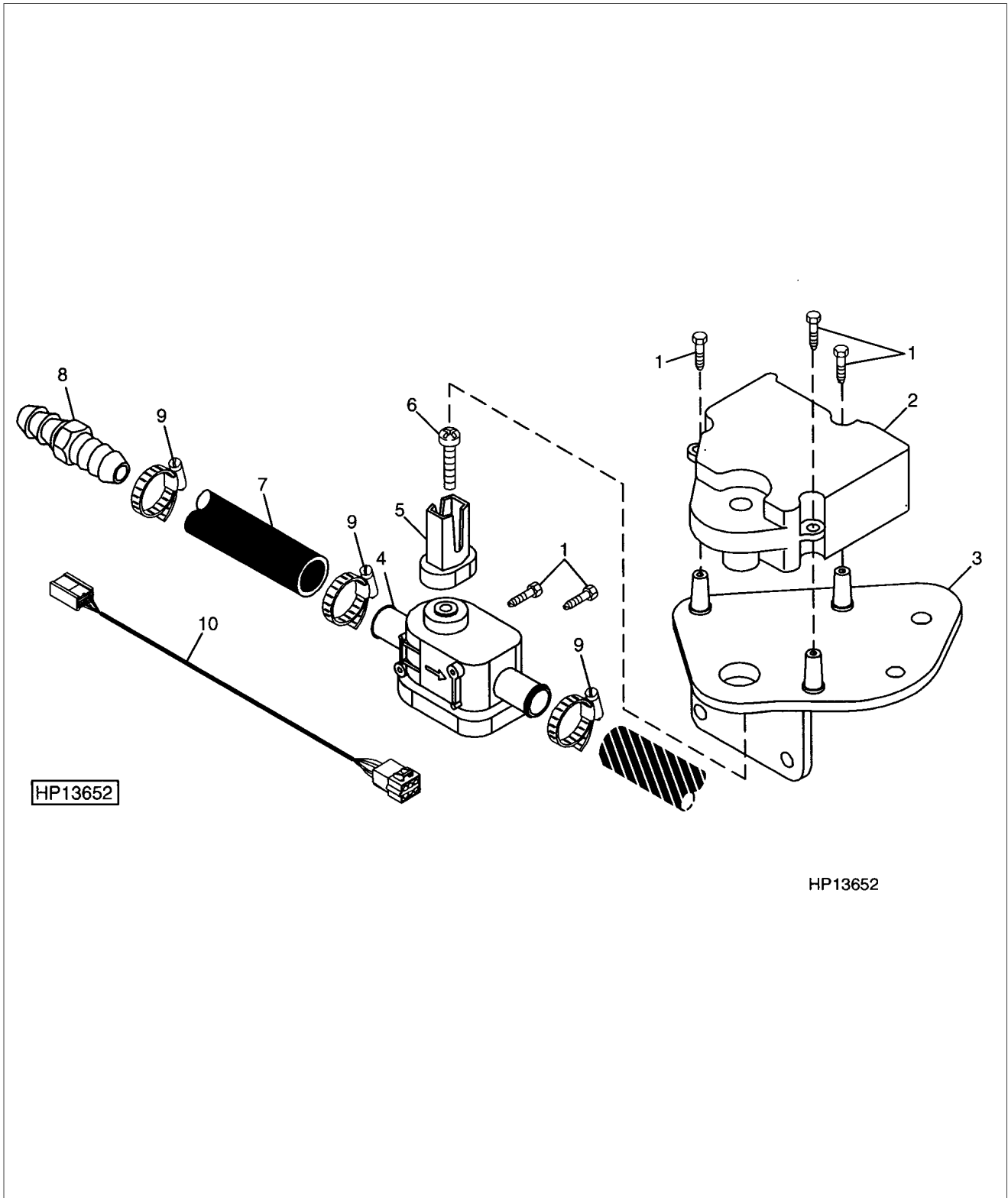
# 6.09 Air Conditioning System - Evaporator Heater



## 6.09 Air Conditioning System - Evaporator Heater

Item	Part No.	Quantity	Description
1	21.23848	1	Evaporator
2	21.25645	2	O-Ring
3	21.23849	1	O-Ring
4	21.21729	1	Valve
5	21.25646	1	O-Ring
6	21.21185	1	Hose
7	21.21200	1	Hose
8	21.23850	1	Filter
9	21.23696	1	Switch, AC Low Pressure

# 6.10 Air Conditioning System - Water Valve Assembly

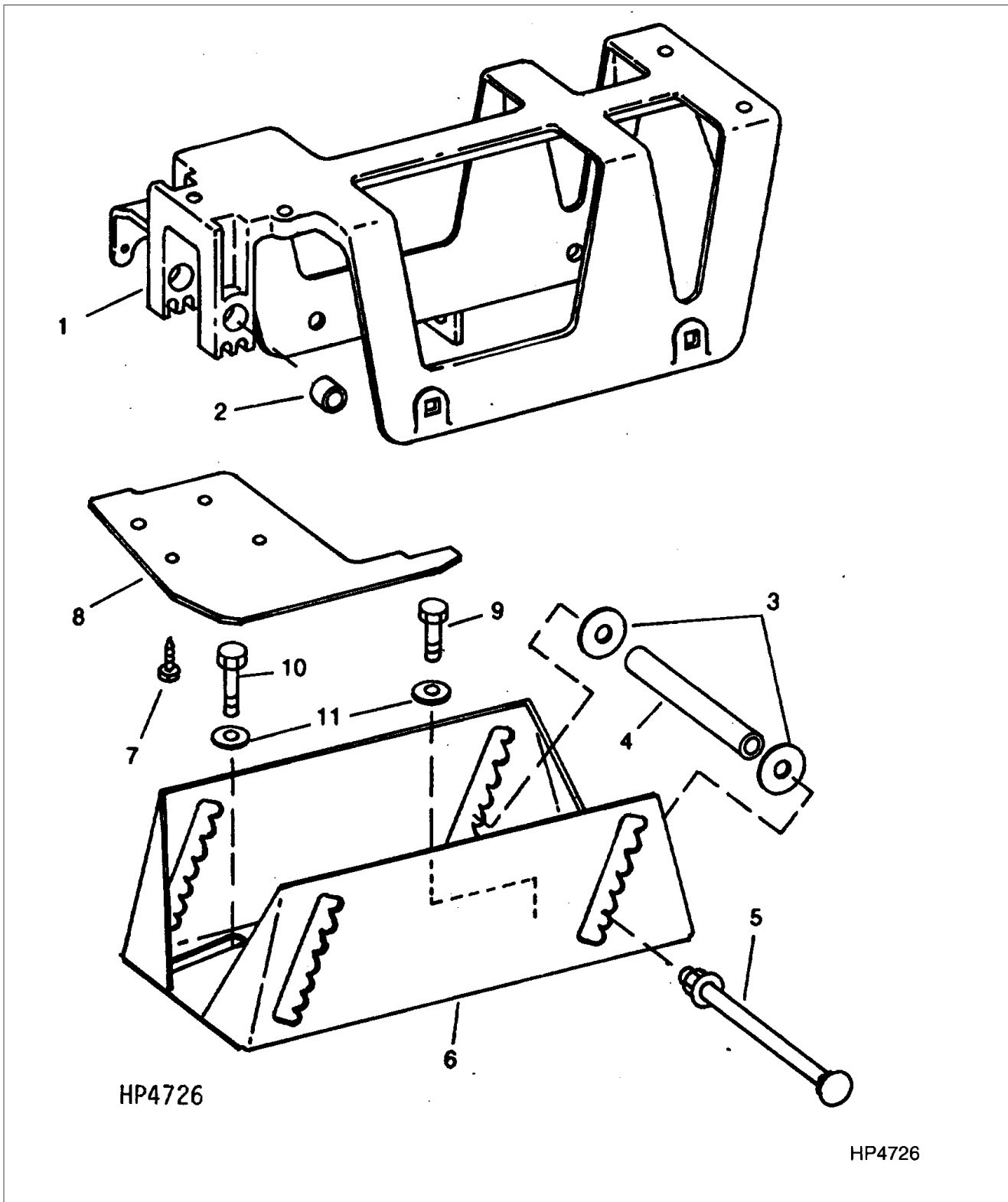




## 6.10 Air Conditioning System - Water Valve Assembly

Item	Part No.	Quantity	Description
1	21.25647	5	Screw
2	21.25998	1	Actuator
3	21.25649	1	Bracket
4	21.25650	1	Valve
5	21.25651	1	Adapter
6	21.25652	1	Screw
7	21.25653	1	Hose
8	21.25654	1	Coupling
9	21.25655	3	Clamp
10	21.25656	1	Wiring Harness

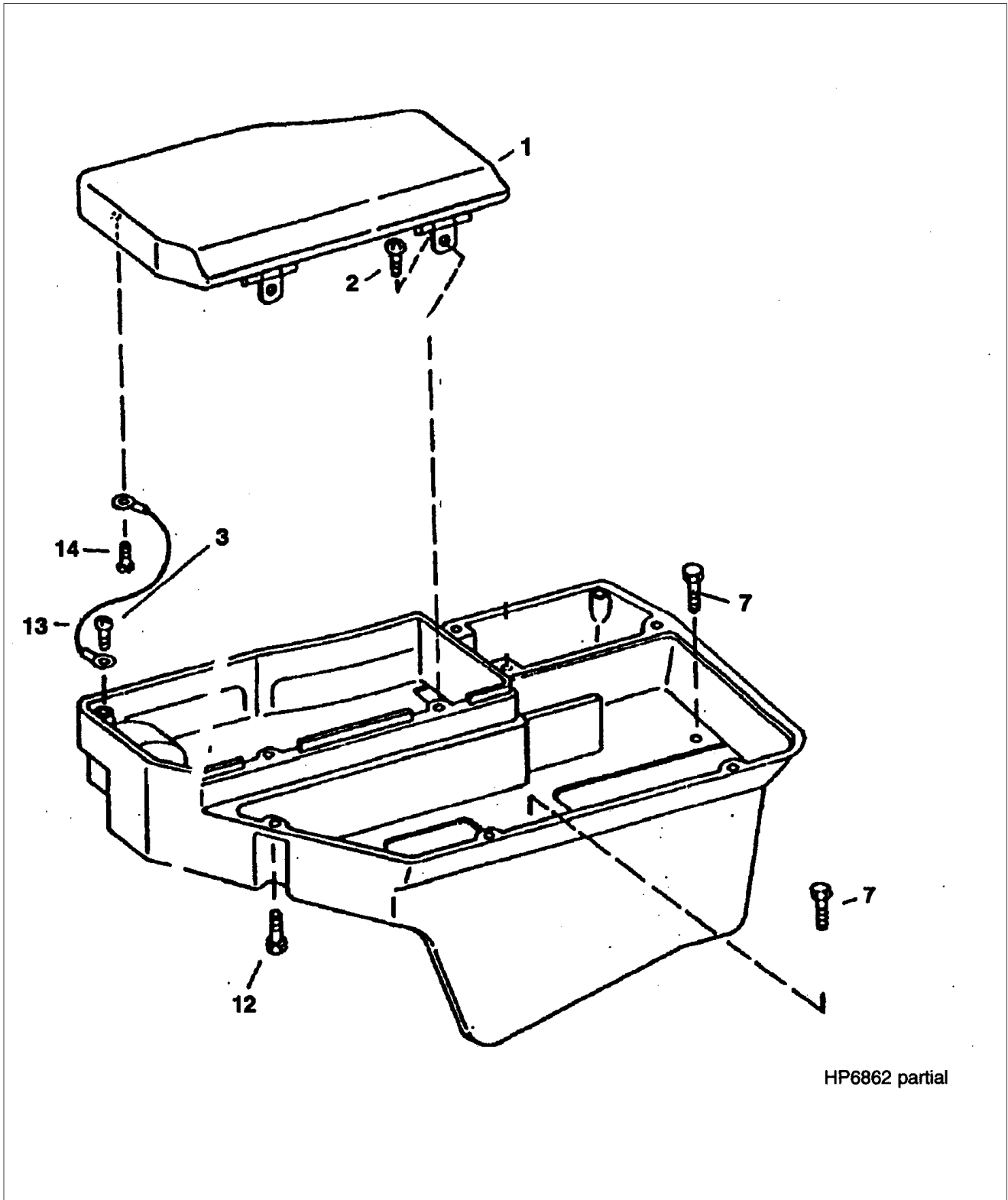
### 6.11 Armrest Adjusting Mechanism - RH



## 6.11 Armrest Adjusting Mechanism - RH

Item	Part No.	Quantity	Description
1	32.61721	1	Support
2	32.61722	2	Bushing
3	32.61723	4	Washer
4	32.61724	2	Spacer
5	32.61725	2	Bolt
	32.61726	2	Flange Nut
6	32.61727	1	Support
7	32.61728	1	Screw
8	32.61729	1	Cover
9	21.25660	2	Screw
10	21.25661	1	Screw
11	21.25662	3	Washer

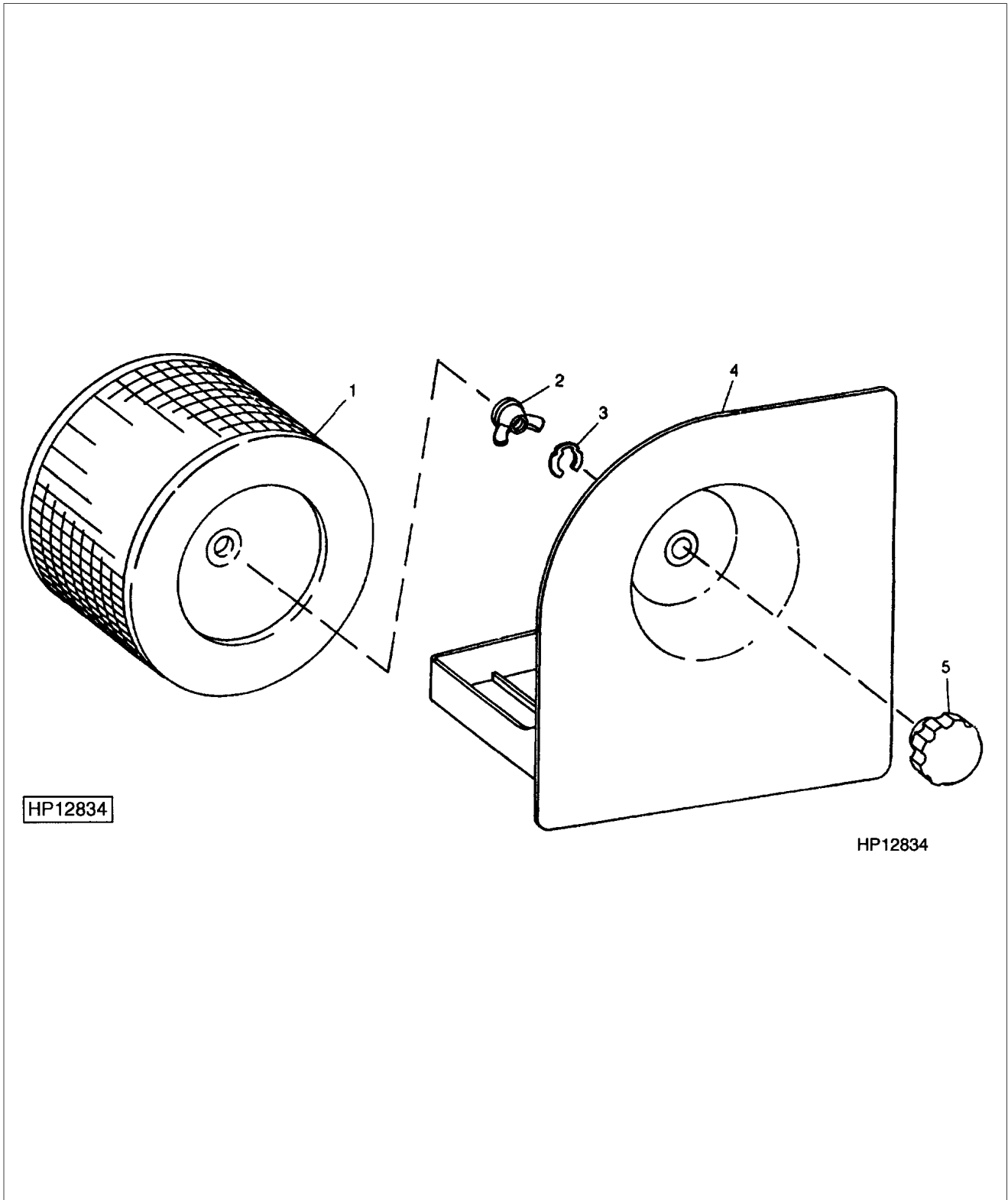
### 6.12 Armrest With Clove Box - RH



## 6.12 Armrest With Clove Box - RH

Item	Part No.	Quantity	Description
1	21.24199	1	Cover
	21.24830	1	Panel
2	21.24200	2	Screw
7	21.24204	4	Screw
12	21.24208	4	Screw
13	21.24209	1	Wiring Lead
14	21.24210	1	Screw

### 6.13 Cab Air Filter & Housing



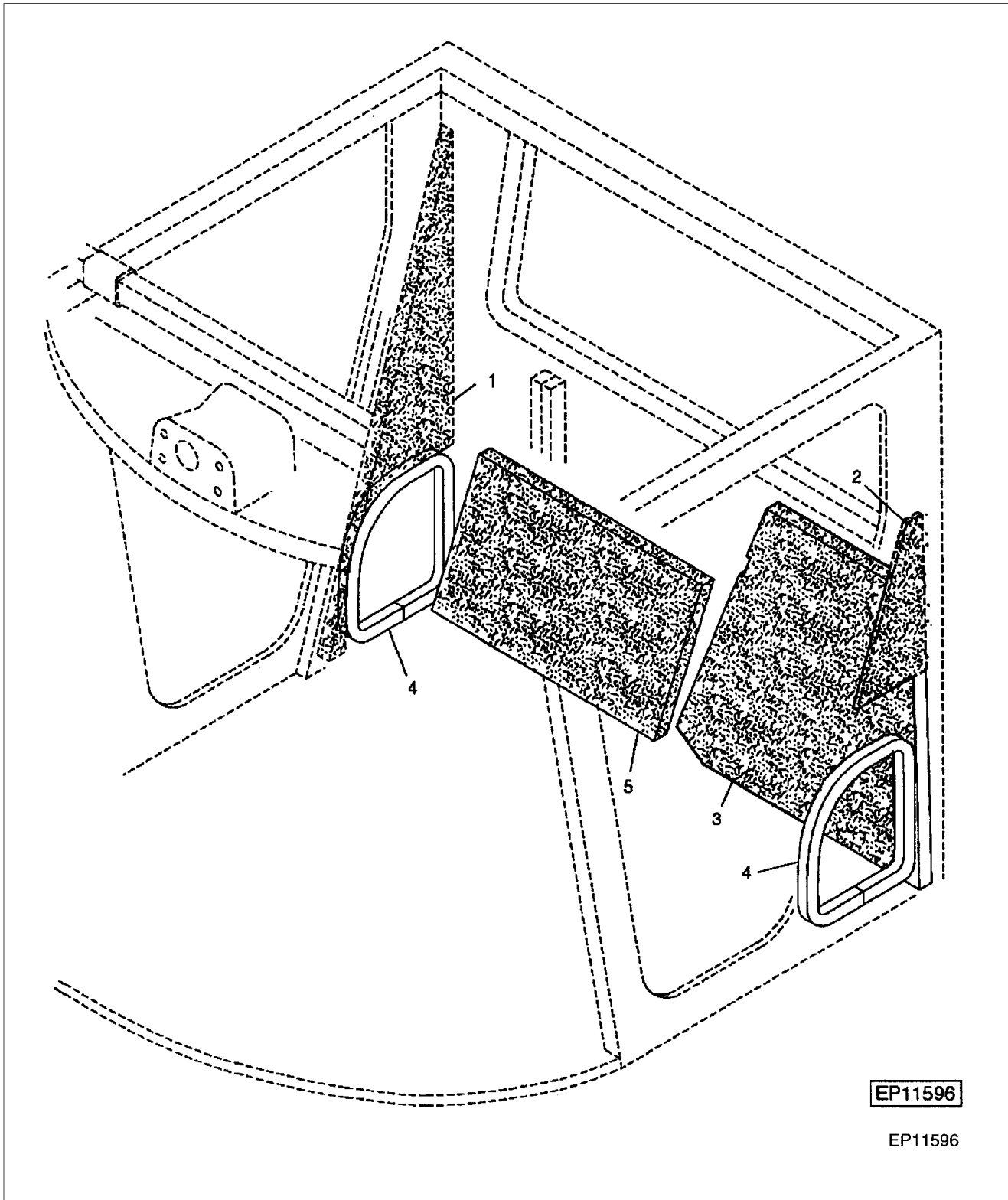
HP12834

HP12834

## 6.13 Cab Air Filter & Housing

Item	Part No.	Quantity	Description
1	21.00955	1	Air Filter - Charcoal
2	21.25673	1	Nut
3	21.25674	1	Snap Ring
4	32.60427	1	Door
5	21.25675	1	Knob

## 6.14 Cab Sound Deadening Foam & Seals

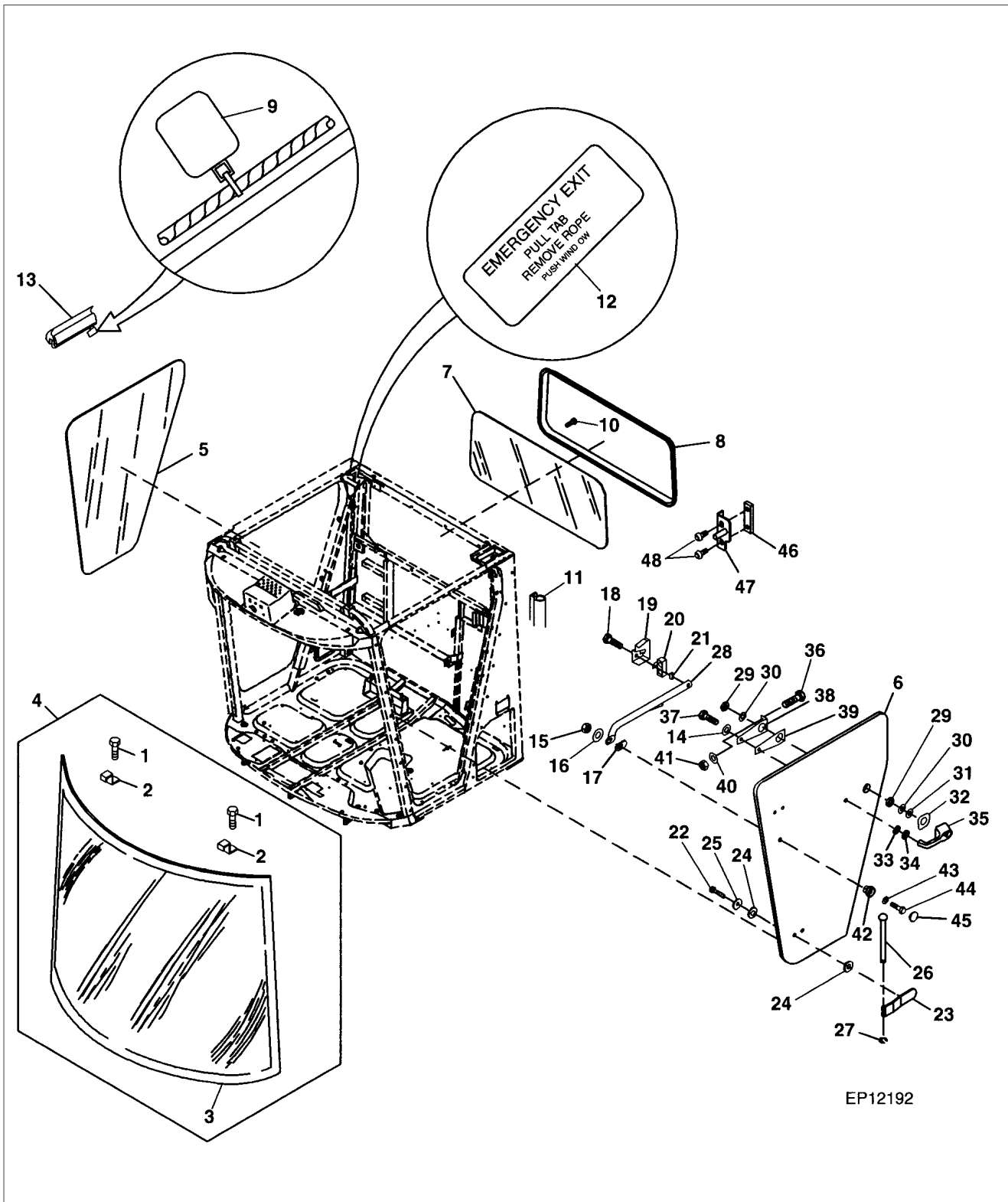




## 6.14 Cab Sound Deadening Foam & Seals

Item	Part No.	Quantity	Description
1	21.24655	1	Barrier
2	21.25677	1	Barrier
3	21.25678	1	Barrier
4	21.25679	2	Weatherstrip
5	21.25680	1	Barrier

# 6.15 Cab Glass & Door



## 6.15 Cab Glass & Door

Item	Part No.	Quantity	Description
1	21.23844	2	Screw (Included In Item 4)
2	21.23845	2	Bracket (Included In Item 4)
3	NSS	1	Windshield (Order Item 4)
4	21.20068	1	Kit (Includes Items 1 thru 3)
5	21.21497	1	Window Pane
6	21.22746	1	Door
7	21.22754	1	Window Pane
8	21.22755	1	Bezel
9	21.25697	1	Tie Band
10	21.25698	12	Screw
11	21.25696	1	Seal
12	21.25699	1	Label
	21.25700	1	Label
13	21.23842	1	Weatherstrip
14	21.25693	1	Washer
15	21.25683	1	Lock Nut
16	21.25684	1	Washer
17	21.22759	1	Isolator
18	21.25685	1	Screw
19	21.22761	1	Cover
20	21.22753	1	Latch
21	21.22762	1	Bearing
22	44.03598	4	Screw
23	21.25686	2	Hinge
24	44.03613	8	Washer
25	44.03607	5	Lock Washer
26	21.25688	2	Pin
27	21.22765	2	Snap Ring
28	21.22766	1	Tube
29	21.25689	1	Nut
30	21.25690	1	Washer
31	21.22767	1	Bushing
32	21.22750	1	Gasket
33	21.22768	1	Gasket
34	21.22748	1	Bushing
35	21.22747	1	Handle
36	21.25691	2	Screw
37	44.03599	1	Screw
38	21.22751	1	Bracket
39	21.22752	1	Spacer
40	21.25132	2	Washer

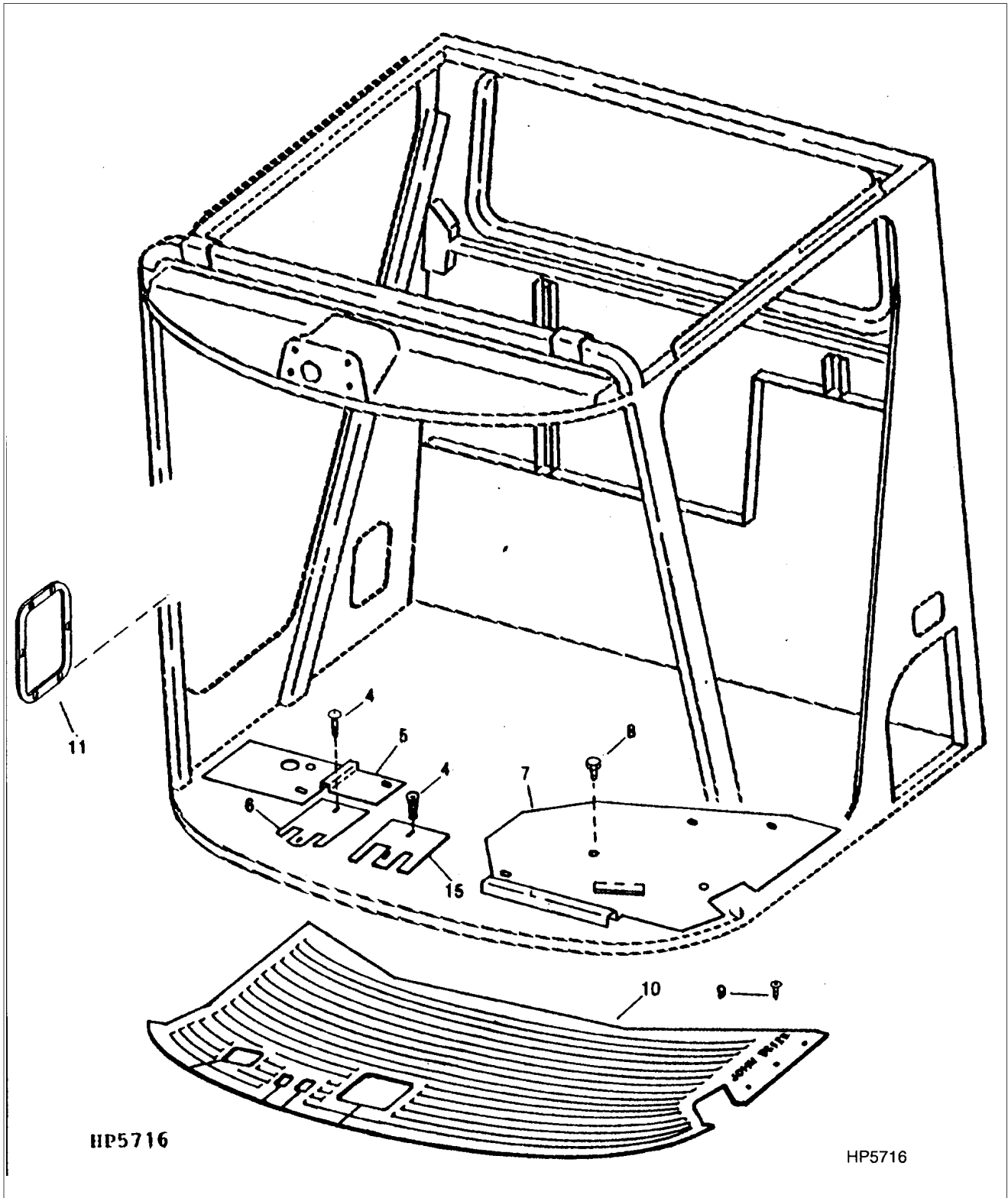
**Section 6**

**6.15 Cab Glass & Door**

<b>Item</b>	<b>Part No.</b>	<b>Quantity</b>	<b>Description</b>
41	32.61746	2	Lock Nut
42	21.22749	1	Bushing
43	21.23500	1	Washer
44	21.23501	1	Screw
45	21.22760	1	Cap
46	21.22770	1	Strap
47	21.22769	1	Striker
48	21.25692	2	Screw

***This Page Intentionally Left Blank***

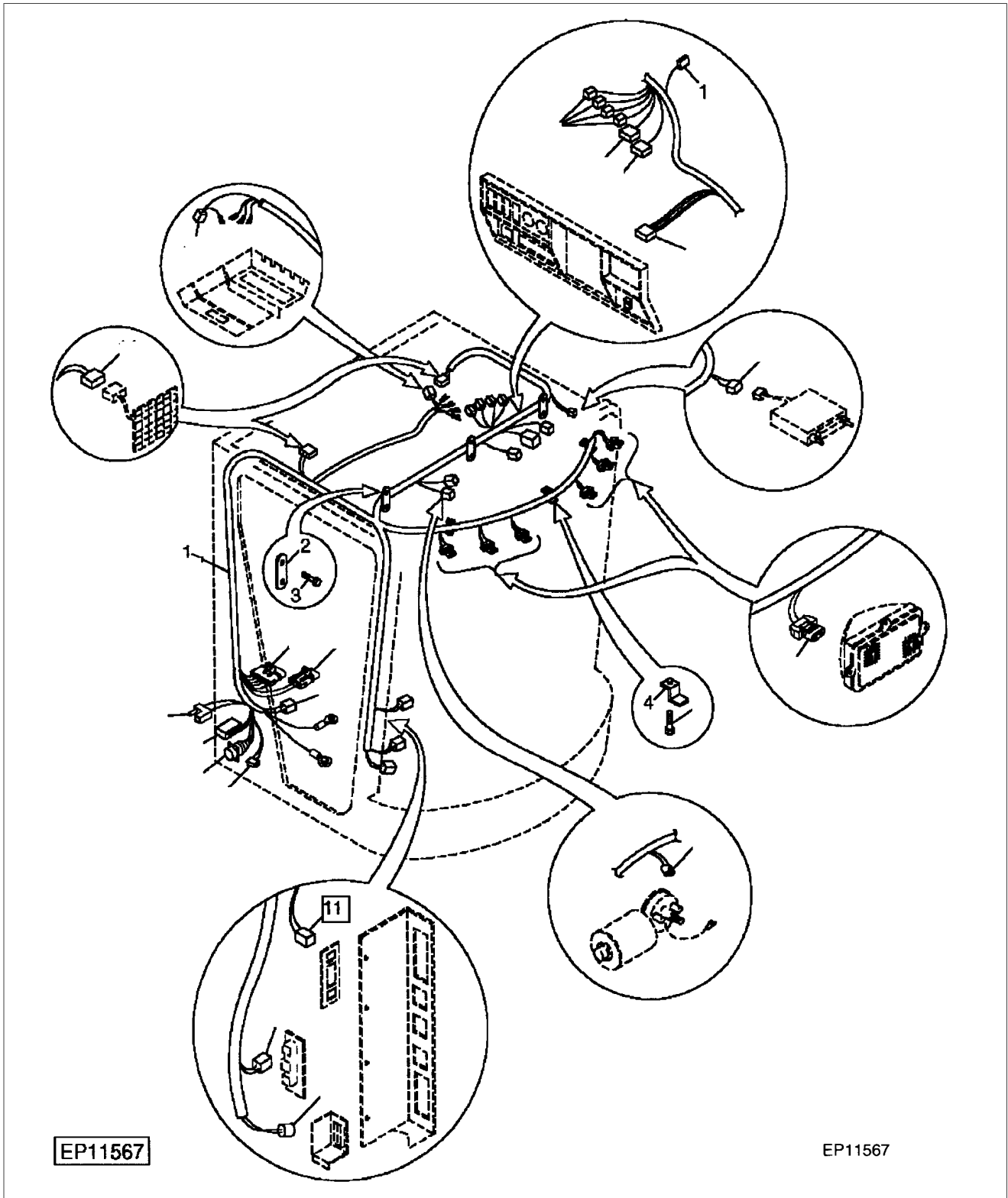
### 6.16 Cab Panels & Floor Mat



## 6.16 Cab Panels & Floor Mat

Item	Part No.	Quantity	Description
4	21.25095	4	Screw
5	21.25703	1	Plate
6	21.25704	1	Plate
7	21.25705	1	Sheet
8	32.61663	7	Screw
9	32.61766	3	Screw
10	21.30776	1	Standard Mat
11	21.24246	1	Seal
15	21.25707	1	Plate

### 6.17 Cab Wiring Harness

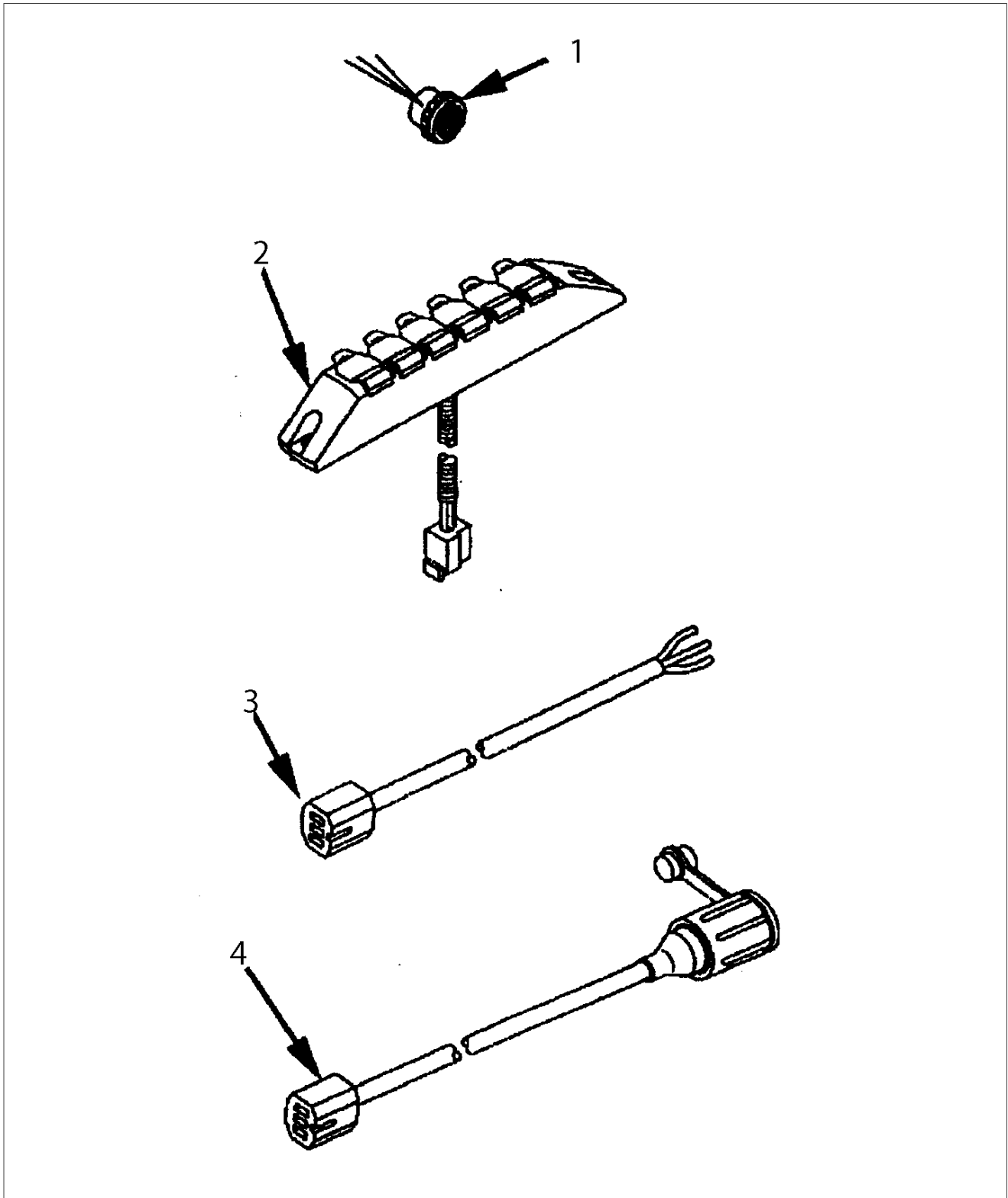




## 6.17 Cab Wiring Harness

Item	Part No.	Quantity	Description
1	44.22956	1	Wiring Harness
2	21.25725	3	Strap
3	32.61752	3	Screw
4	32.61765	3	Clip

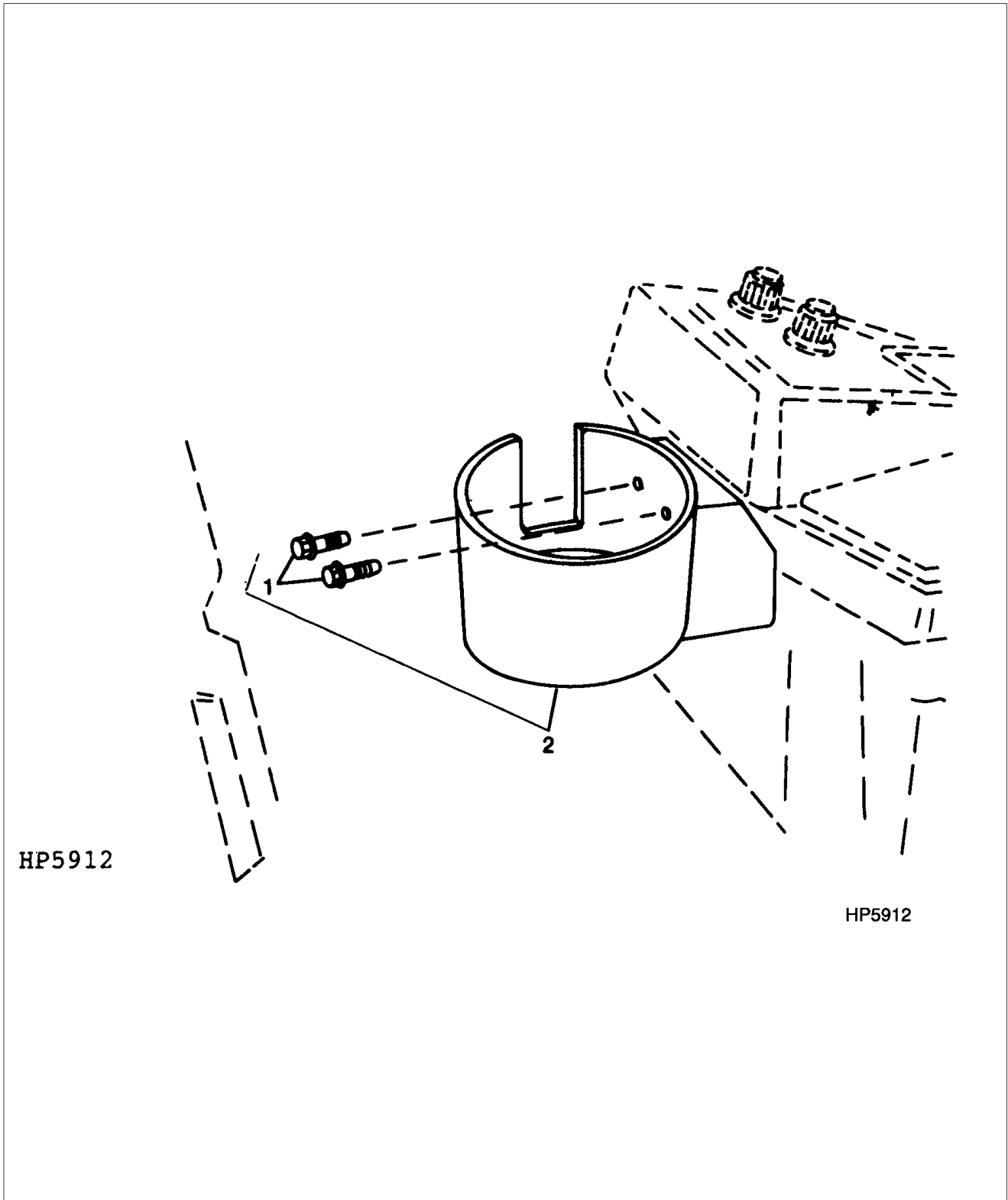
## 6.18 Convenience Outlets



## 6.18 Convenience Outlets

Item	Part No.	Quantity	Description
1	21.21624	1	Convenience Outlet Plug
2	21.22618	1	Power Strip
3	21.22619	1	Power Strip Plug
4	21.22620	1	Cigarette Lighter Adapter

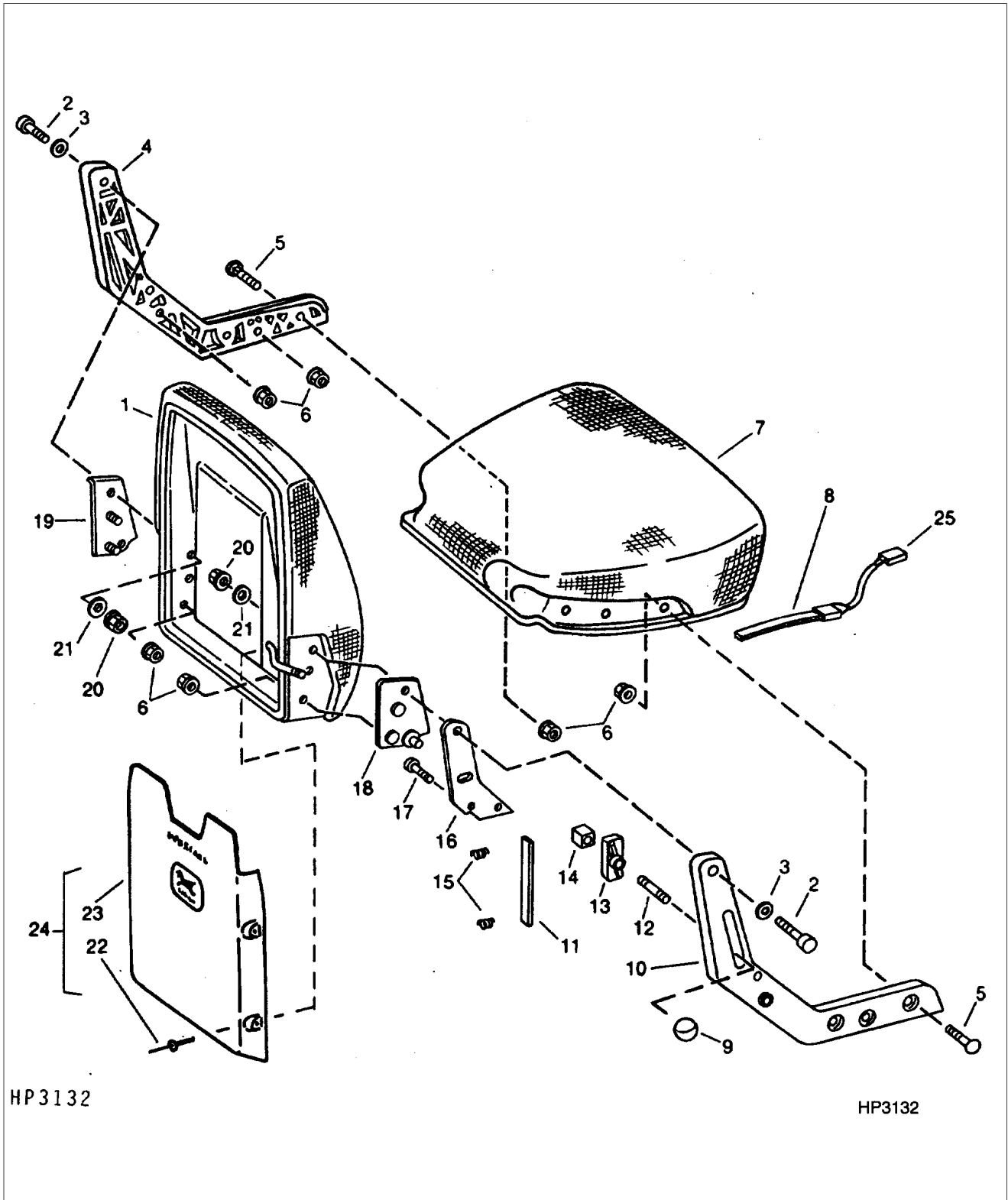
# 6.19 Cup Holder



## 6.19 Cup Holder

Item	Part No.	Quantity	Description
1	21.24211	2	Screw
	21.24831	2	Screw
2	21.24212	1	Holder

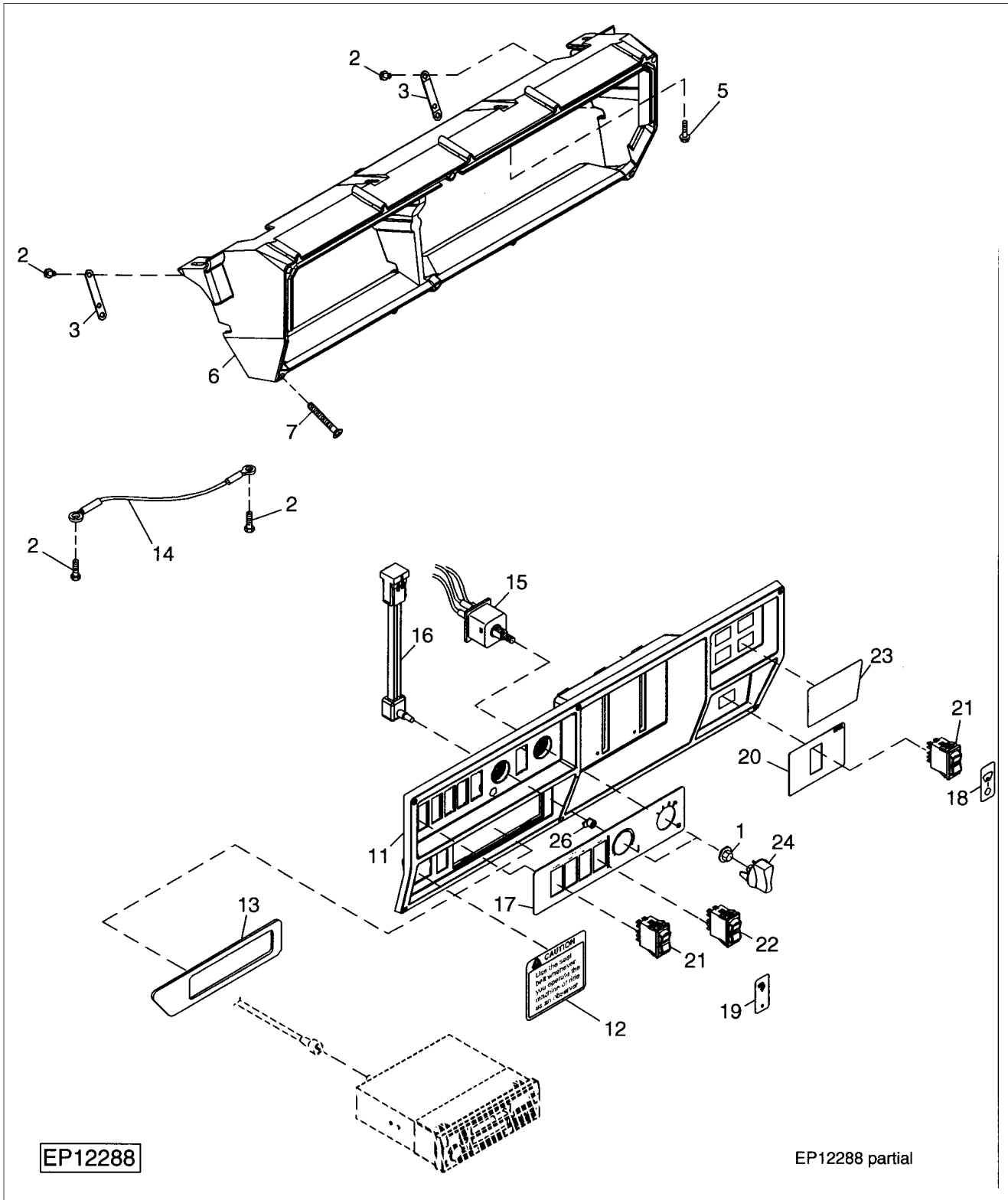
### 6.20 Operators Seat & Backrest



## 6.20 Operators Seat & Backrest

Item	Part No.	Quantity	Description
1	32.61665	1	Cushion
2	32.61666	2	Screw
3	32.61667	2	Washer
4	32.61668	1	Support
5	32.61669	4	Gang Bolt
6	32.61670	8	Lock Nut
7	21.25741	1	Seat
8	21.25742	1	Switch
9	32.61673	1	Knob
10	32.61674	1	Support
11	32.61675	1	Reinforcement
12	32.61676	1	Weld Stud
13	32.61677	1	Adjuster
14	32.61678	1	Bushing
15	32.61679	2	Spring
16	32.61680	1	Plate
17	32.61681	1	Screw
18	32.61682	1	Plate
19	32.61683	1	Plate
20	32.61684	2	Lock Nut
21	32.61685	2	Washer
	21.25744	1	Washer
22	NSS	AR	Pop Rivet (Order Kit Item 24)
23	NSS	1	Plate (Order Kit Item 24)
24	32.61686	1	Kit
25	21.22671	1	Electrical Connector Assembly
	21.25634	1	Electrical Connector Seal
	21.25745	1	Electrical Connector Terminal
	21.25746	1	Cushion

# 6.21 Overhead Console Panel

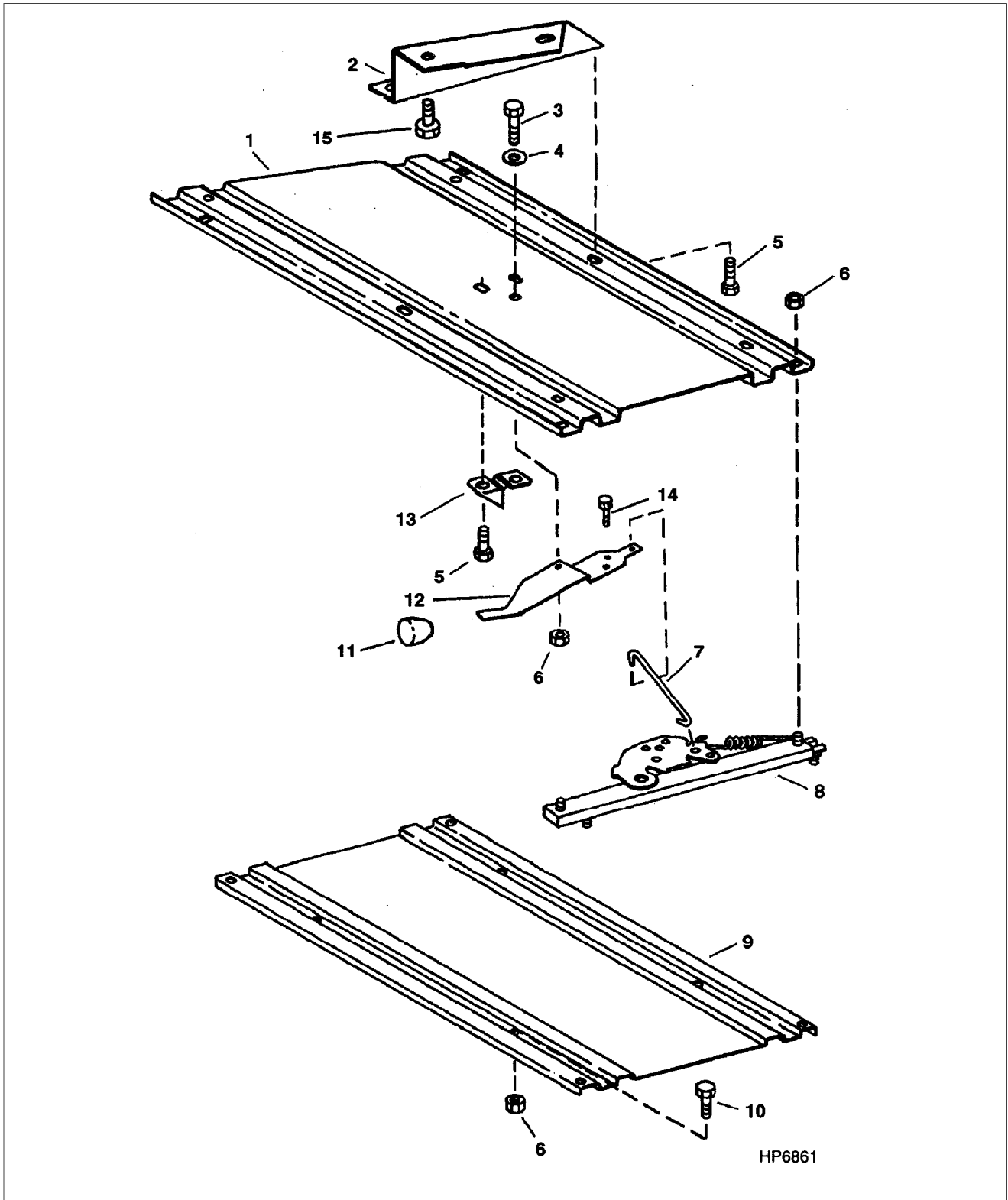




## 6.21 Overhead Console Panel

Item	Part No.	Quantity	Description
1	21.41954	2	Lock Nut
2	32.61752	7	Screw
3	21.25725	3	Strap
5	21.25736	4	Screw
6	21.25735	1	Support
7	21.25747	6	Screw
11	21.25748	1	Console
12	42.1502152	1	Label
13	21.25749	1	Graphics Panel
14	21.25750	2	Wiring Lead
15	32.61514	1	Switch
16	21.24076	1	Potentiometer
17	21.25751	1	Panel
18	21.25752	1	Label
19	21.25753	1	Label
	21.23212	1	Label
	21.25754	1	Label
	21.25755	1	Label
20	21.25756	1	Graphics Panel
21	21.24075	4	Rocker Switch
22	21.24074	1	Toggle Switch
23	21.25757	1	Graphics Panel
24	32.61512	2	Knob
26	21.25758	1	Cam

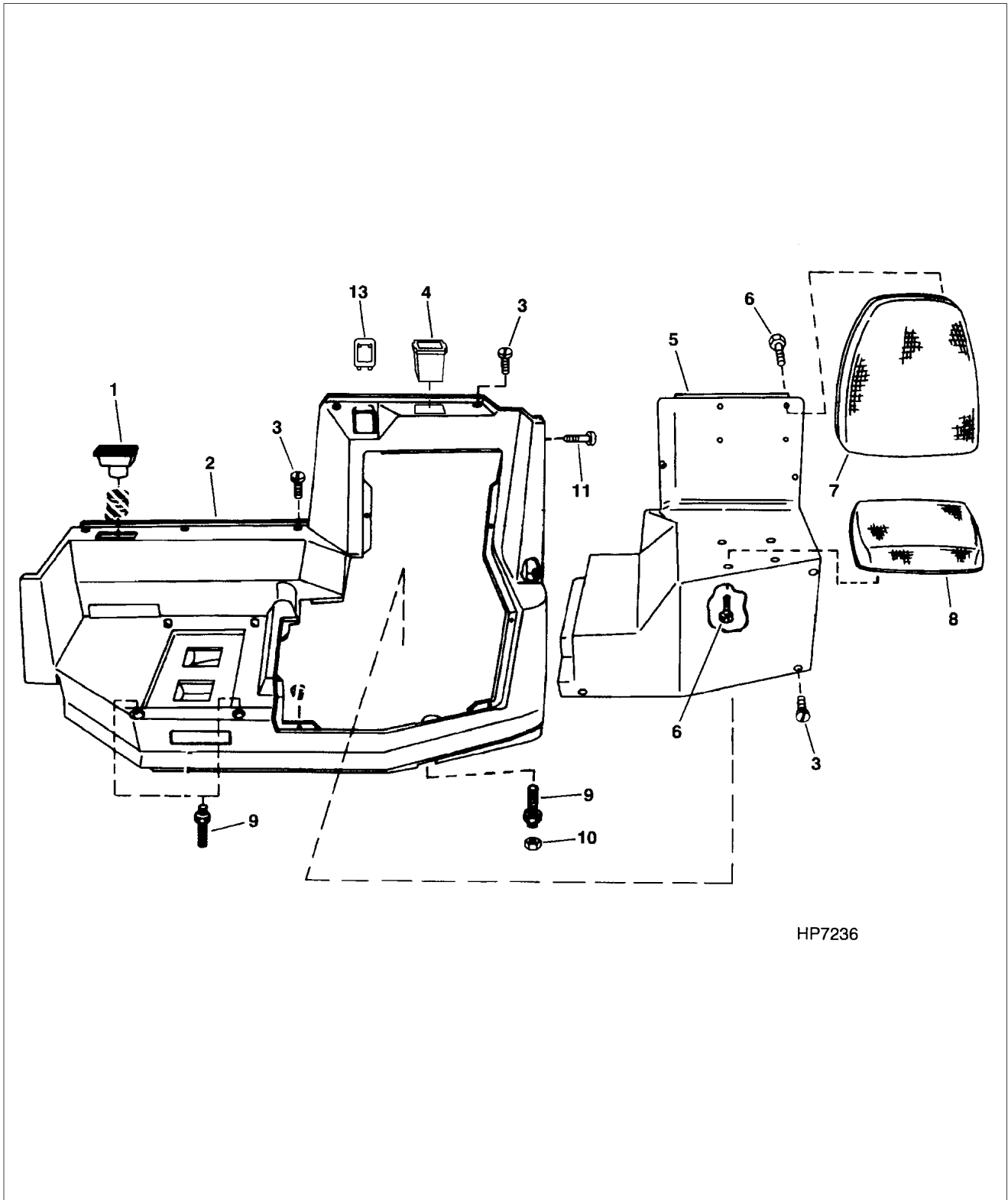
### 6.22 Seat Adjust Fore & Aft



## 6.22 Seat Adjust Fore & Aft

Item	Part No.	Quantity	Description
1	32.61653	1	Plate
2	32.61654	2	Bracket
3	21.23501	1	Screw
4	32.61655	1	Washer
5	21.23844	6	Screw
6	21.23854	13	Flange Nut
7	32.61656	1	Pin Fastener
8	32.61657	2	Adjuster
9	32.61658	1	Plate
10	21.25660	4	Screw
11	32.61660	1	Knob
12	32.61661	1	Lever
13	32.61662	1	Bumper
14	32.61663	3	Screw
15	32.61664	4	Cap Screw

### 6.23 Seat Shrouds & Training Seat

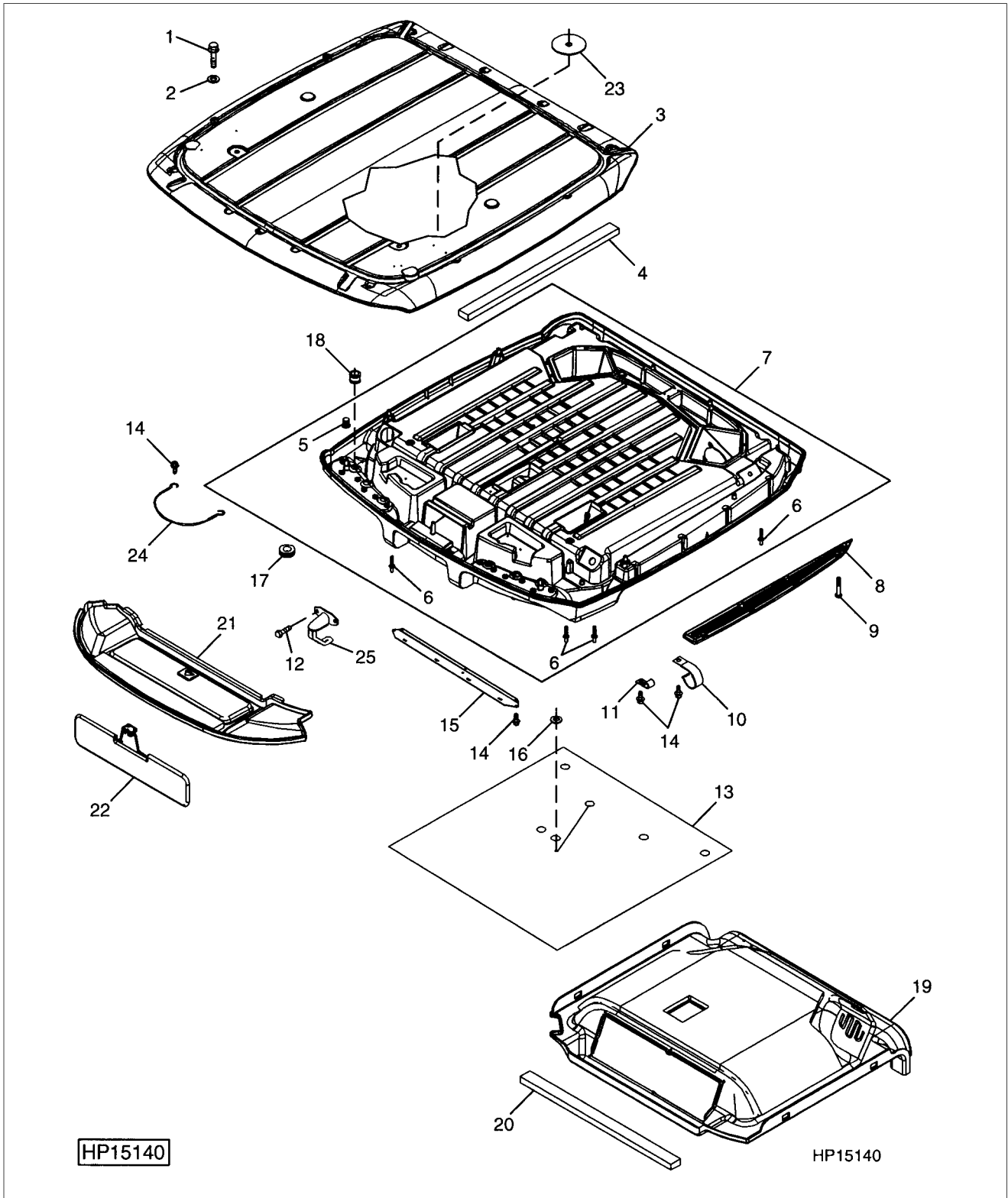


HP7236

## 6.23 Seat Shrouds & Training Seat

Item	Part No.	Quantity	Description
1	21.25108	1	Box
2	21.24920	1	Console
3	32.61824	10	Screw
4	21.25109	1	Container
5	21.25765	1	Cover
6	21.25660	8	Screw
7	21.25766	1	Seat
8	21.25767	1	Seat
9	21.25768	6	Stud
	21.25115	6	Stud
10	21.25116	4	Flange Nut
11	21.25117	3	Cap Screw
13	21.25770	1	Cover, A/C

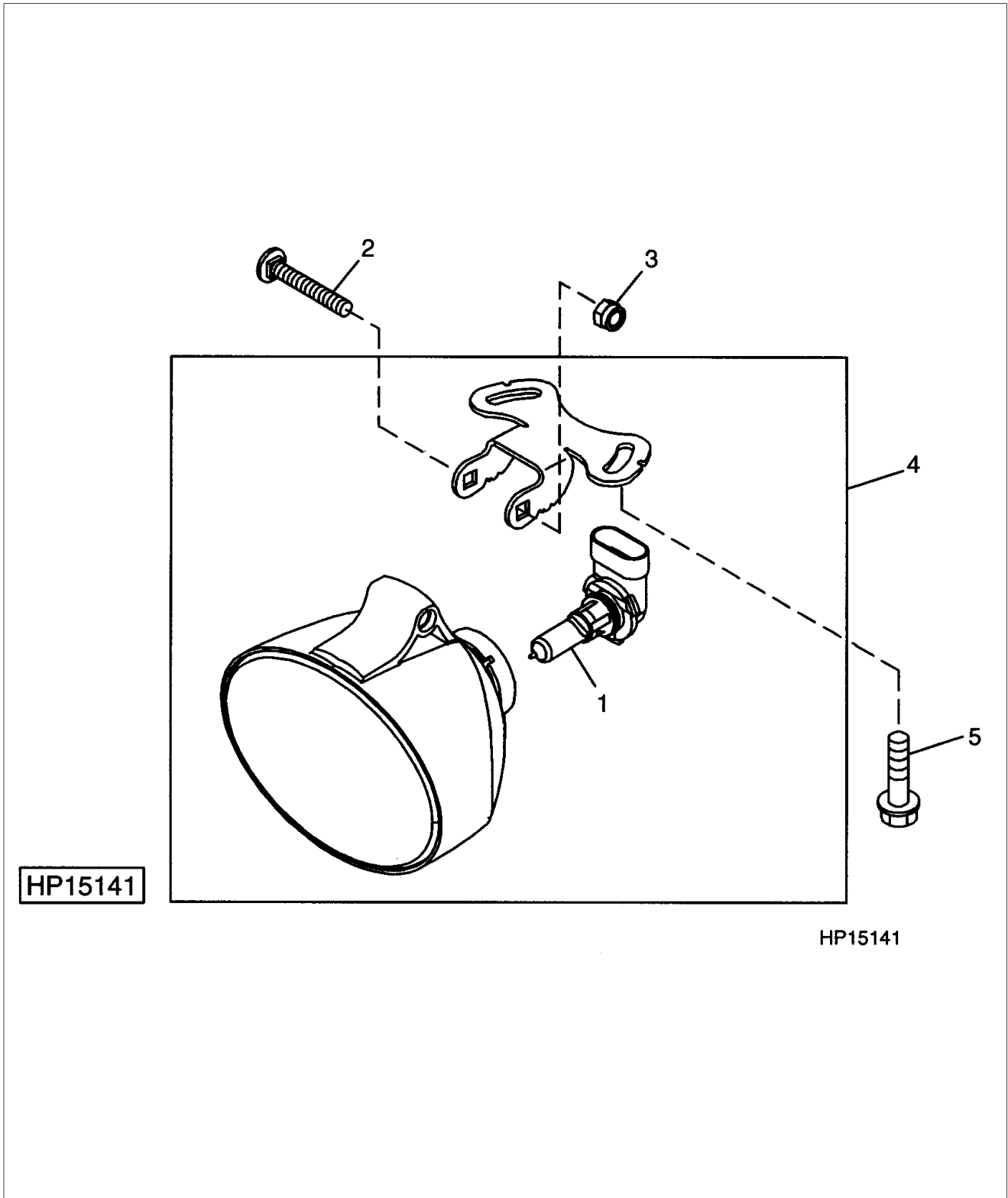
# 6.24 Cab Roof



## 6.24 Cab Roof

Item	Part No.	Quantity	Description
1	32.61754	AR	Screw
2	32.61755	AR	Washer
3	32.61757	1	Outer Roof (White)
4	21.25824	1	Isolator
5	32.61759	AR	Nut
6	32.61760	4	Stud
7	32.61761	1	Roof, Inner
8	32.61762	1	Cover
9	32.61763	4	Screw
10	32.61764	1	Clamp
11	32.61765	2	Clip
12	32.61766	2	Screw
13	32.61767	1	Plane
14	32.61752	AR	Screw
15	21.25825	1	Bracket
16	32.61769	1	Washer
17	32.61770	1	Isolator
18	32.61771	6	Grommet
19	21.25826	1	Headliner
20	32.61773	1	Isolator
21	21.25827	1	Headliner
22	32.61774	1	Sun Visor
23	32.61775	1	Sealing Washer
24	32.61776	2	Wiring Lead
25	32.61777	1	Hook

## 6.25 Cab Roof Flood Lights

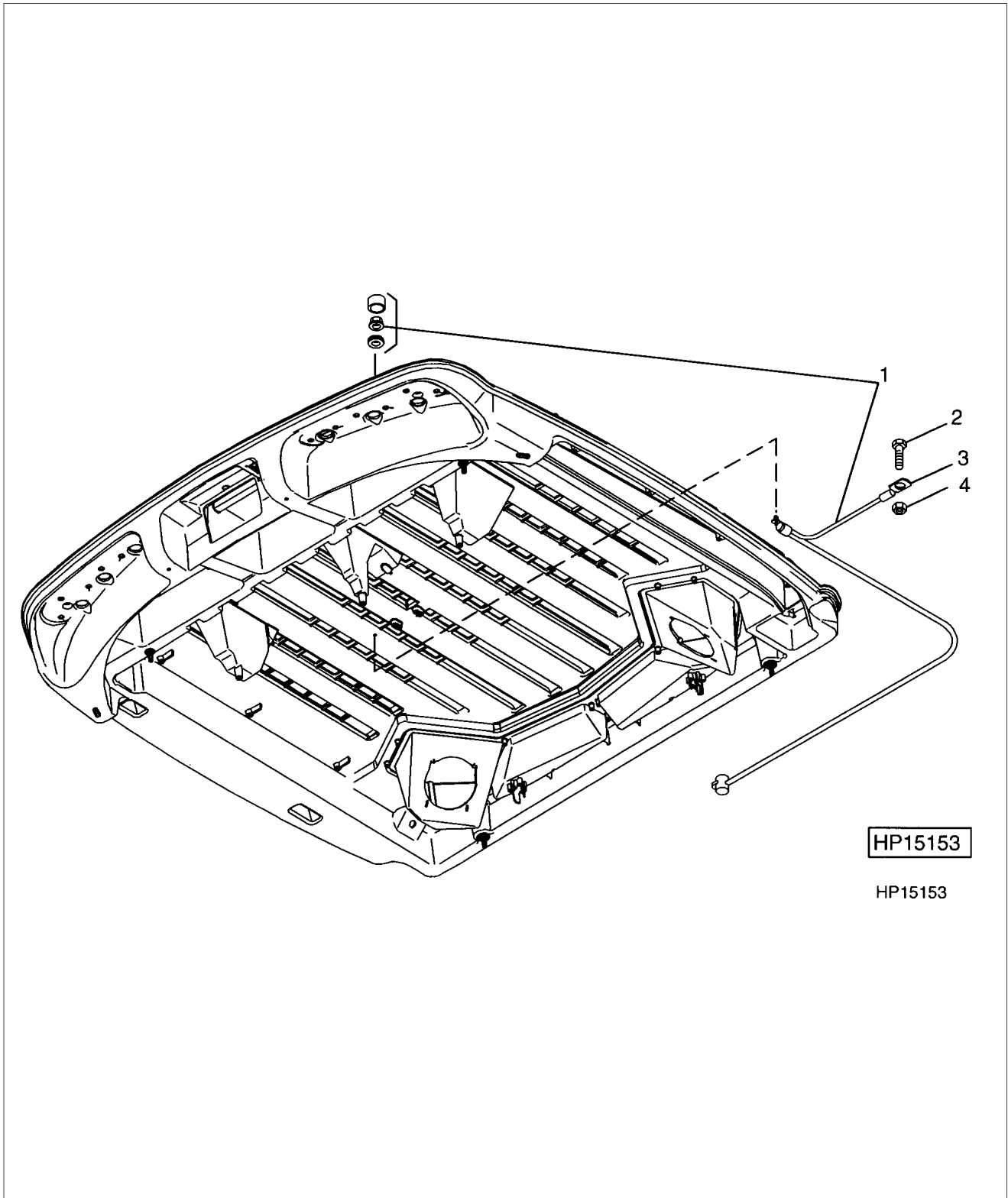




## 6.25 Cab Roof Flood Lights

Item	Part No.	Quantity	Description
1	32.61778	1	Bulb
2	32.61779	1	Bolt
3	32.61780	1	Lock Nut
4	32.61782	1	Lens
5	21.25660	2	Screw

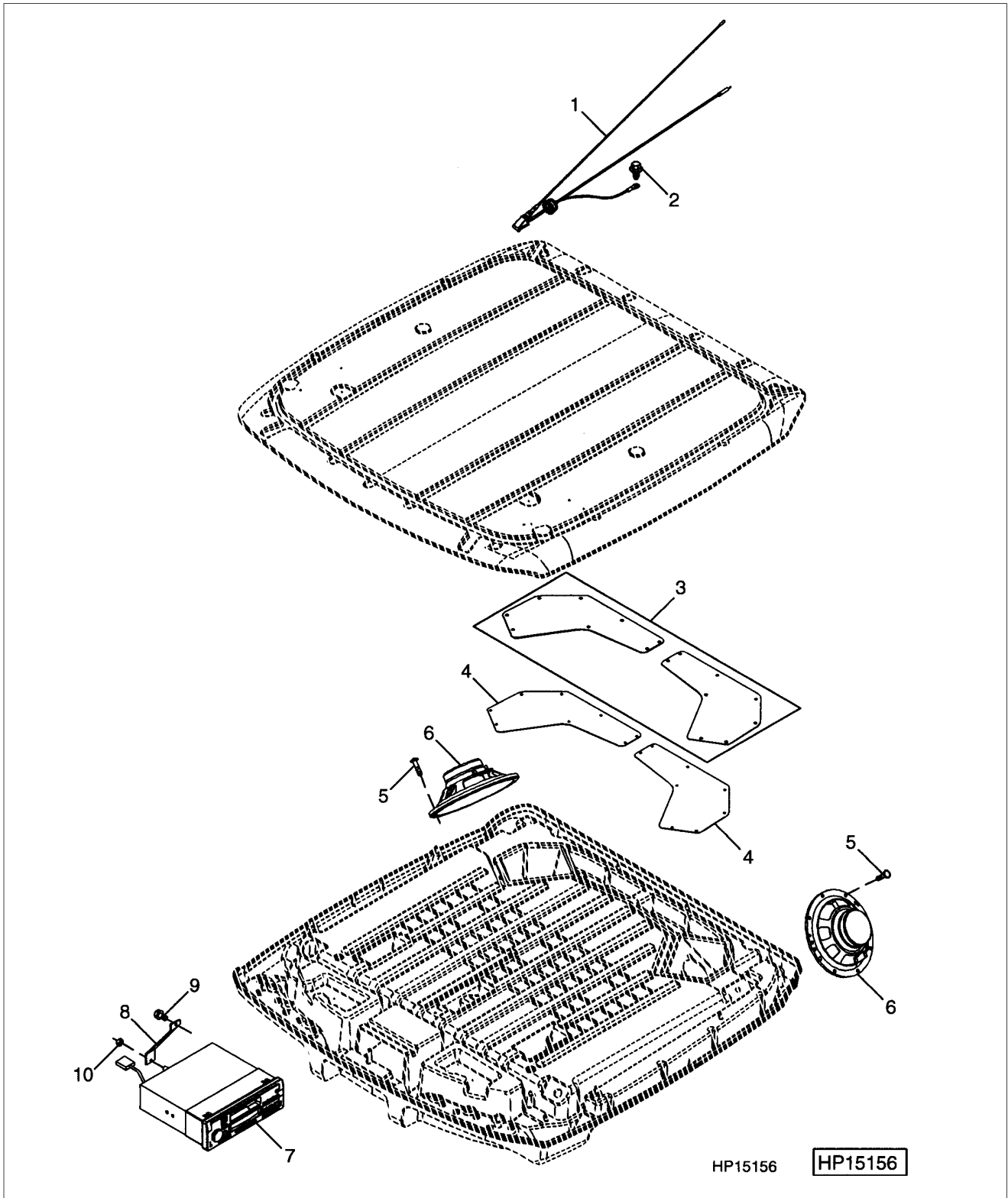
## 6.26 Mobile Radio Antenna



## 6.26 Mobile Radio Antenna

Item	Part No.	Quantity	Description
1	32.61743	1	Cable
2	21.25828	1	Cap Screw
3	32.61745	1	Lock Washer
4	32.61746	1	Lock Nut

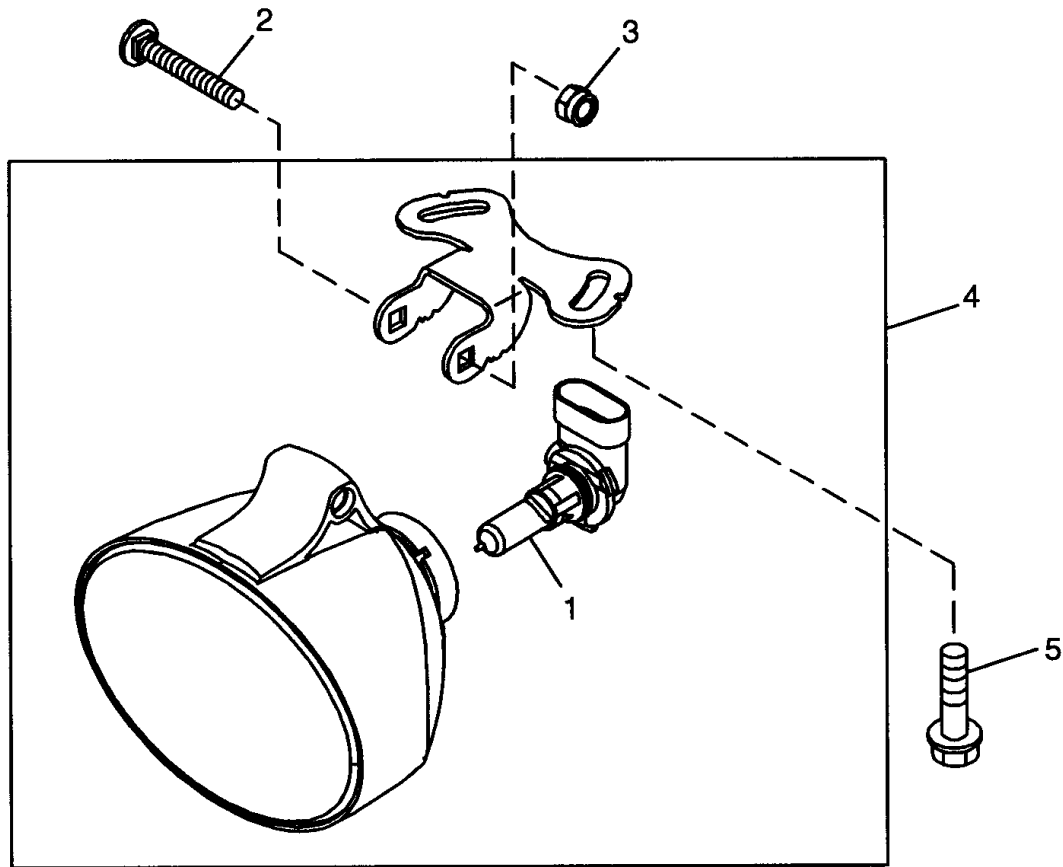
## 6.27 Radio, Speakers & Antenna



## 6.27 Radio, Speakers & Antenna

Item	Part No.	Quantity	Description
1	21.23548	1	Antenna (Cab S/N 720182 & Before)
	21.25829	1	Antenna (Cab S/N 720183 & After)
2	32.61663	1	Screw
3	32.61747	1	Seal
4	32.61748	2	Cover
5	32.61749	8	Screw
6	21.25830	2	Speaker
7	21.48441	1	Radio, Delphi w/CD
8	21.25831	1	Bracket
9	32.61752	1	Screw
10	32.61753	1	Flange Nut

### 6.28 Trap Flood Lights



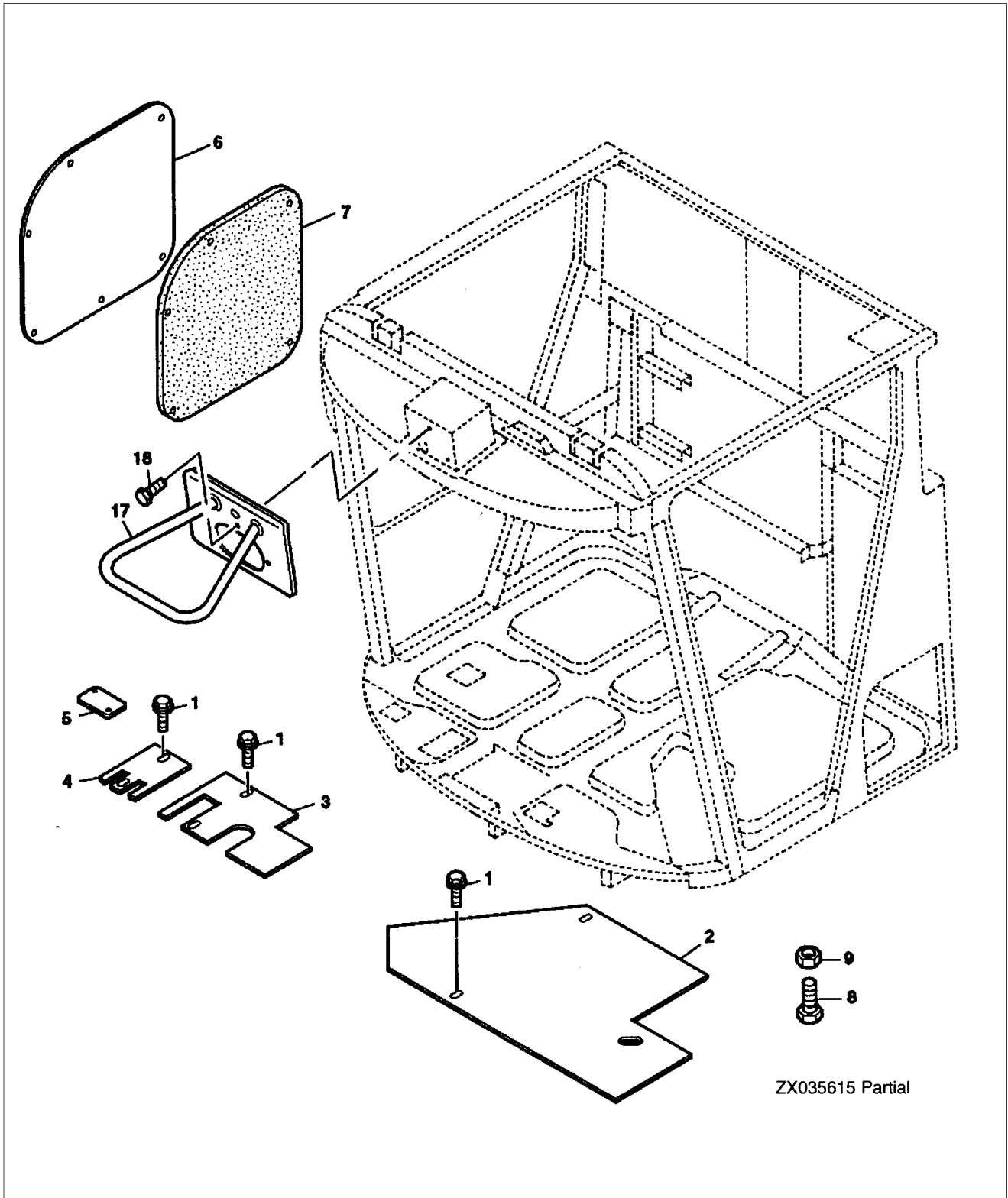
HP15142

HP15142

## 6.28 Trap Flood Lights

Item	Part No.	Quantity	Description
1	32.61778	1	Bulb
2	32.61779	1	Bolt
3	32.61780	1	Lock Nut
4	32.61781	1	Lens
5	21.25660	2	Screw

# 6.29 Cab Floor Panels & Cover Of Assembly Openings

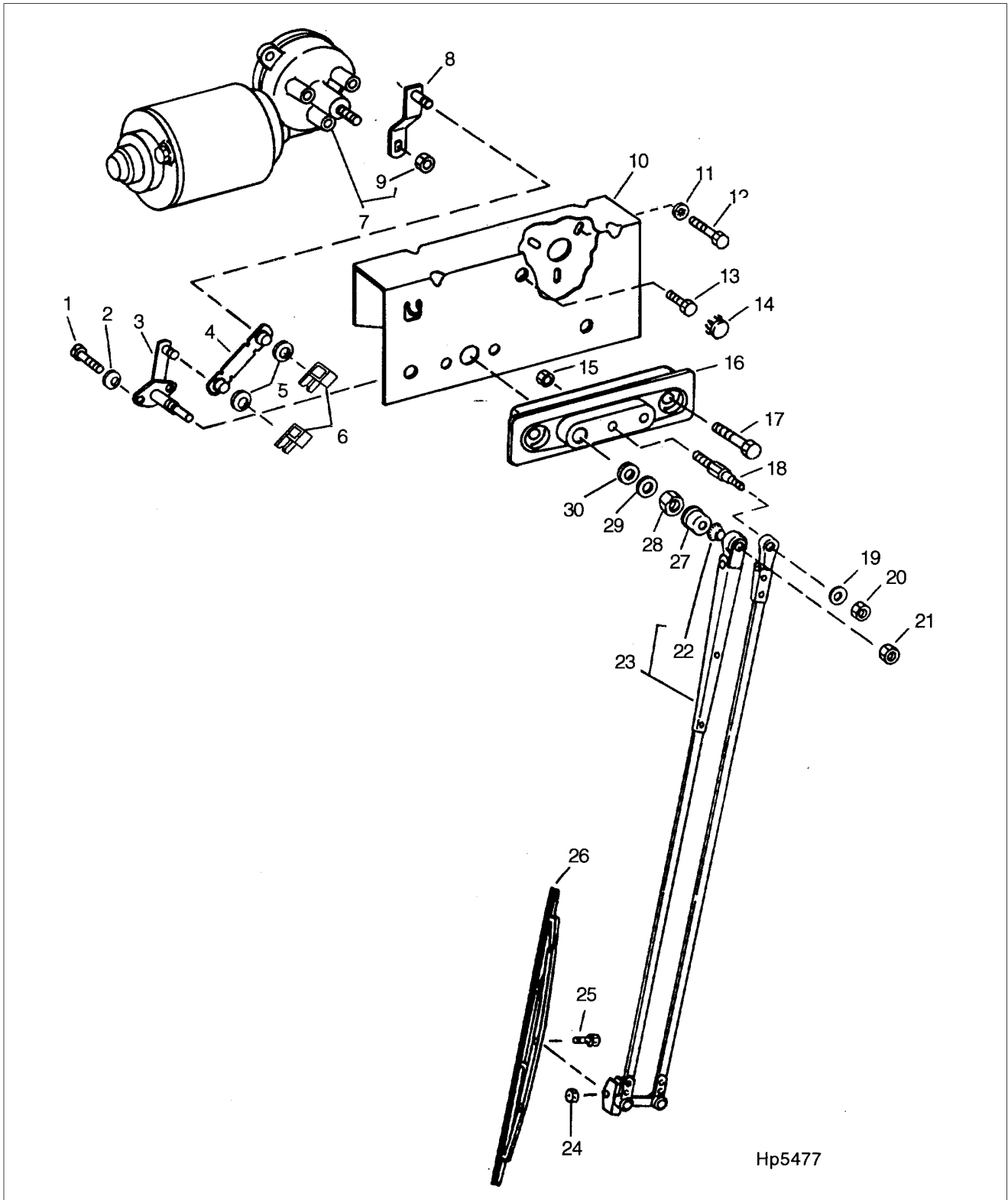




## 6.29 Cab Floor Panels & Cover Of Assembly Openings

Item	Part No.	Quantity	Description
1	32.61663	7	Screw
2	21.25832	1	Plate
3	21.25833	1	Plate
4	21.25834	1	Plate
5	21.25835	1	Plate
6	21.25836	1	Panel
7	21.25837	1	Seal
8	21.25838	1	Cap Screw
9	21.25839	1	Nut
17	21.25840	1	Handle (Cab S/N 508668 & Before)
	21.25841	1	Handle (Cab S/N 508669 & After)
18	21.25842	2	Screw

# 6.30 Windshield Wiper

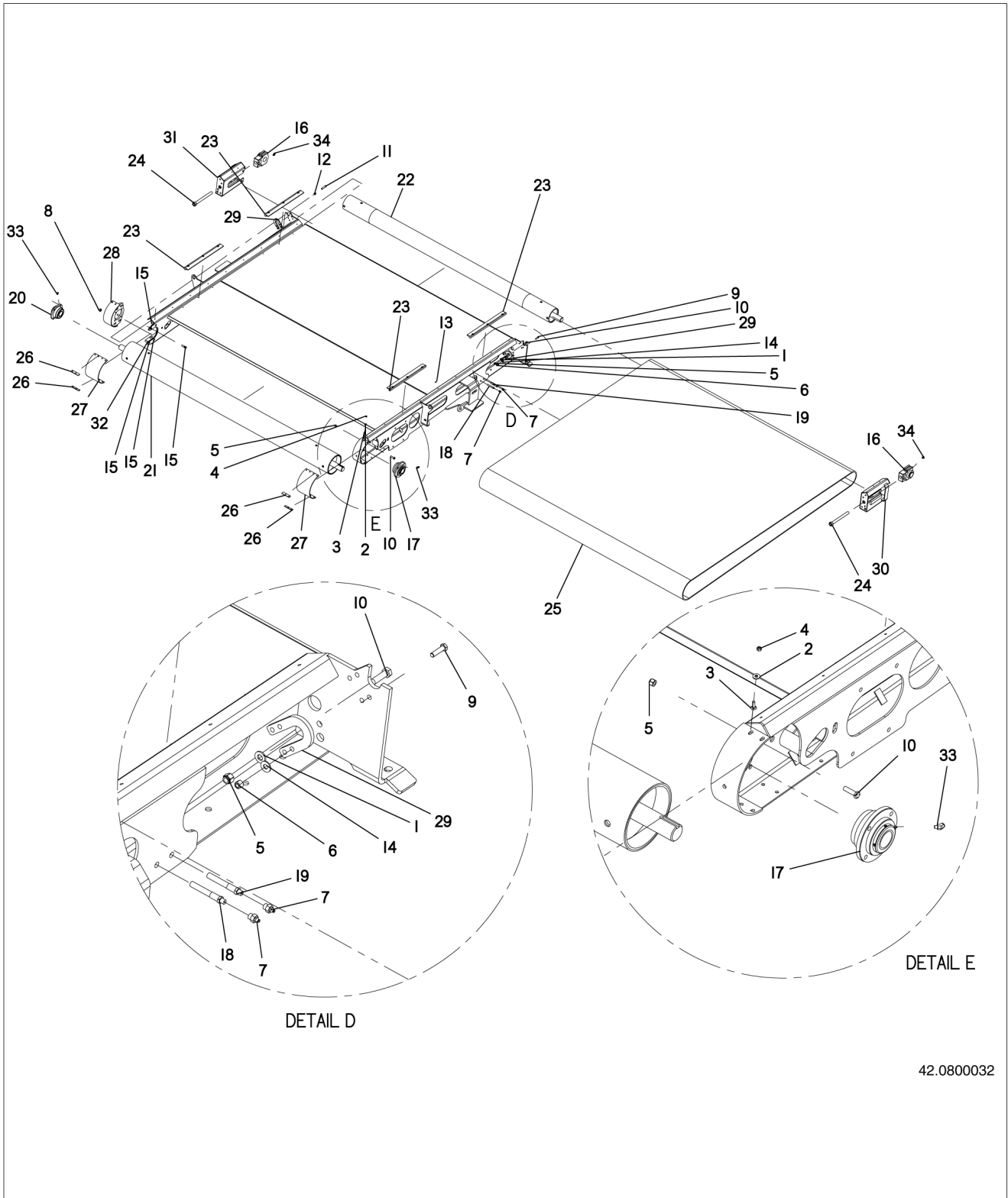


Hp5477

## 6.30 Windshield Wiper

Item	Part No.	Quantity	Description
1	21.22669	2	Screw, M5 x 12 mm
2	21.22670	2	Washer
3	32.61415	1	Shaft
4	32.61416	1	Link
5	21.22658	2	Shim
6	32.61417	2	Clip
7	32.61418	1	Wiper Motor
8	32.61419	1	Arm
9	32.61420	1	Lock Nut
10	21.22645	1	Bracket
11	21.22674	3	Lockwasher, 1/4 in.
12	32.61421	3	Cap Screw, 1/4 in. x 5/8 in.
13	21.22647	1	Screw, M8 x 16 mm
14	32.61422	1	Plug
15	21.22649	1	Flange Nut, M6
16	21.22650	1	Support
17	21.22651	2	Screw, M8 x 40 mm
18	32.61423	1	Stud
19	21.22658	1	Shim
20	21.22659	1	Lock Nut
21	21.22663	1	Lock Nut
22	21.22672	1	Weld Nut
23	32.61424	1	Wiper Arm
24	32.61425	1	Lock Nut
25	32.61426	1	Screw
26	32.61427	1	Wiper Blade
27	21.22655	1	Cap
28	32.61428	1	Nut
29	21.22654	1	Washer
30	21.22653	1	Washer

# 7.01 Asm: Center Feedtable

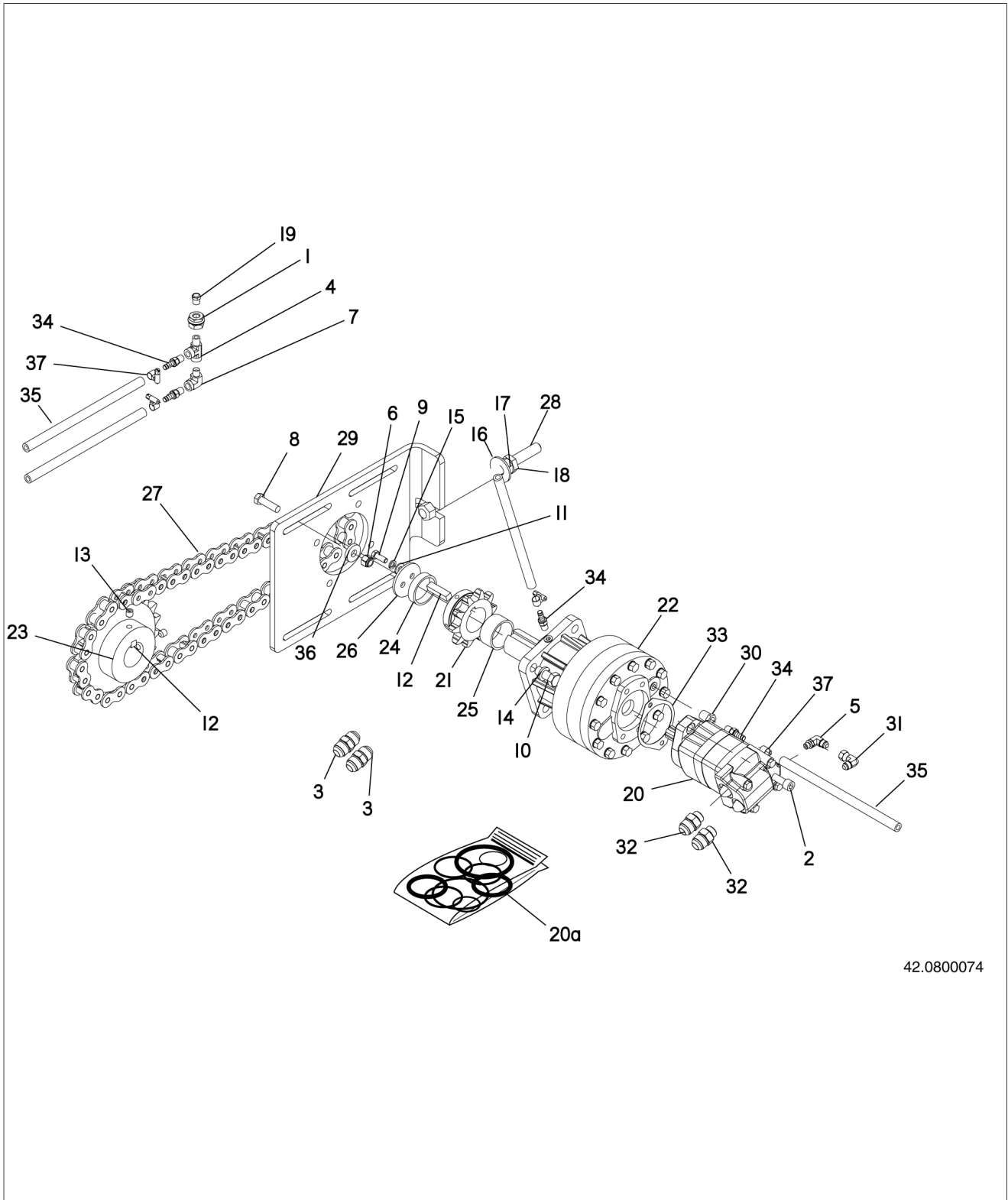


42.0800032

## 7.01 Asm: Center Feedtable

Item	Part No.	Quantity	Description
1	907594	16	Flatwasher, 1/2 Hardened
2	907464	8	Washer, 5/16 Wide Flat Stainless Steel
3	907454	8	Carblt, 5/16-18 x 1 Stainless Steel
4	907390	8	Hhdnut, 5/16-18 Stainless Steel Nylock
5	906401	16	Hhdnut - Nylon Lk 1/2-13
6	906400	8	Nut: Hex Nylon Lk 3/8-16
7	905501	4	Grz Zerk - 1/8 NPT Female
8	905050	4	Lugnut - 9/16-18
9	903848	8	Hhdblt - 3/8-16 x 1-1/2
10	903518	12	Hhdblt - G5 1/2 x 1-3/4 in.
11	902636	1	Screw- Set 1/2-13 x 2-1/2 Sqhd
12	901763	1	Jamnut 1/2 - 13
13	900503	22	Washer - Lock 5/16 in.
14	900495	8	Washer: Flat 3/8 In. Std
15	42.1550102	4	Bolt- Hub 9/16-18 Nf x 2 G
16	42.1510251	2	Bearing - 2 3/16 Takeup
17	42.1510031.8	1	Bearing, 2-3/16 4 Hole Flange
18	42.1500940	2	Hose - Grease 3/16 x 77 in.
19	42.1500598	2	Hose - Grease 3/16 x 48 in.
20	42.1080182	1	Bearing - 2-3/16 4-Bolt Flange, Shaved
21	42.1080139	1	Roller, Fdtble Drive 8 x 110 Vulcanized
22	42.1080137	1	Roller, Fdtble Idle - 10 Ft
23	42.1080024	4	Guide: Fdtbl Belt 7/8x2x24 UHMW
24	42.1080000	2	Adjuster- Feedtable Roller Wld
25	42.0901539	1	Belt - 108 1/2 x 242 Oal Cont Ls
26	42.0800396	4	Plate, Skirting, Back Retainer
27	42.0800393	2	Belt, Skirting, Rear Filler
28	42.0800323	1	Mount, Fdtble Bearing Adjustable
29	42.0800260	2	Plate Hinge Loop
30	42.0800085	1	Takeup Frame Wldmnt
31	42.0800084	1	Takeup Frame Wldmnt
32	42.0800083	1	Frame: Feed Table
33	32.61053	2	Elbow, 45 1/8 MPT x FPT
34	32.60003	2	Elbow, 1/8 Fpt x 1/8 MPT

# 7.02 Feed Table Drive Assembly

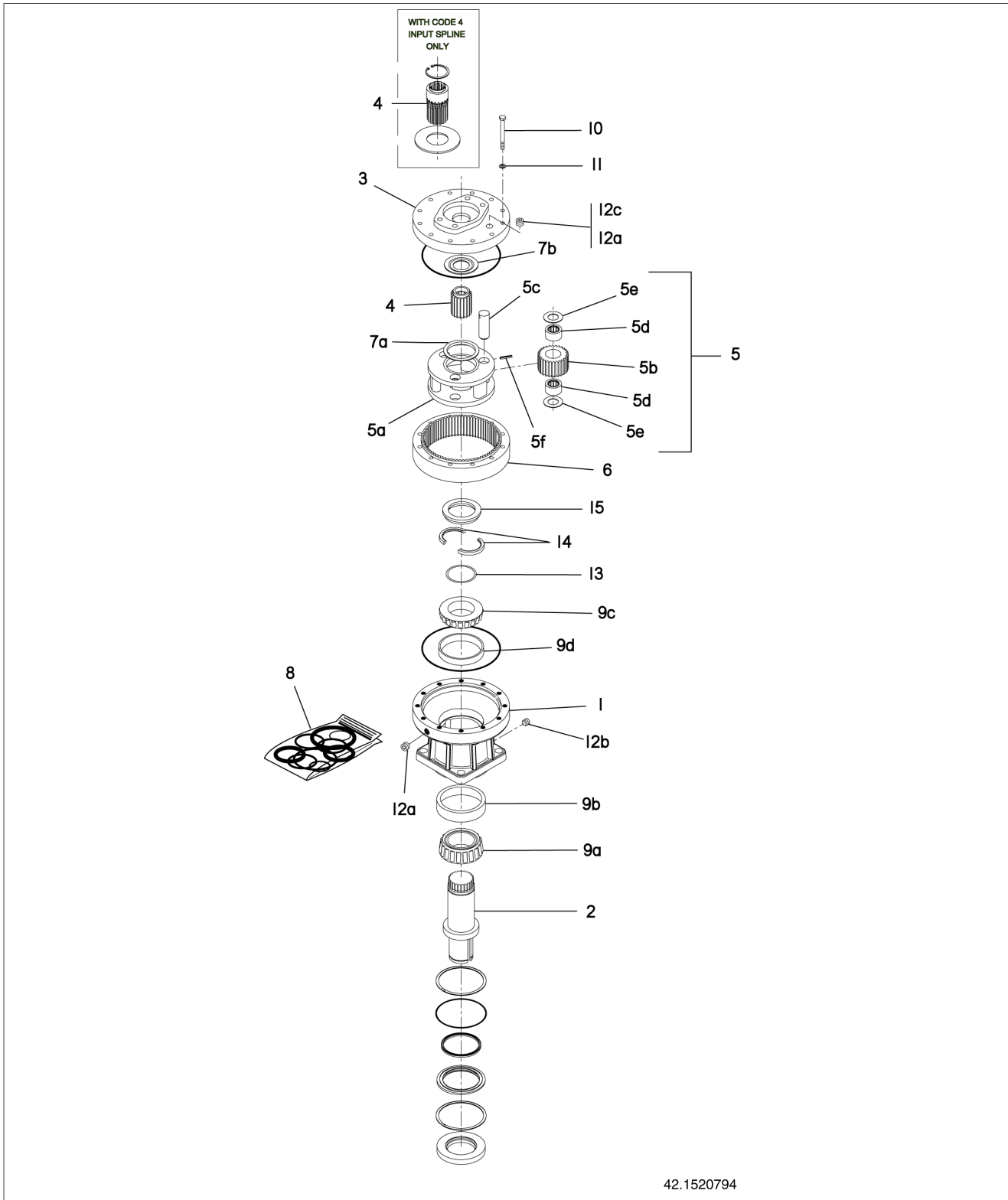


42.0800074

## 7.02 Feed Table Drive Assembly

Item	Part No.	Quantity	Description
1	908163	1	Bulkhead - 1/4 in. FPT Brass
2	907781	2	Shcs, 1/2-13 x 1-1/4 Yellow Zinc
3	907557	2	Union, -12 Male JIC
4	907146	1	Tee, 1/4 NPT Male Run
5	906811	1	Elbow, 90d -04 ORB x -06 JIC
6	906401	4	Hhdnut - Nylon Lk 1/2-13
7	905383	1	Elbow, 1/4 NPT Street
8	903518	4	Hhdblt - G5 1/2 x 1-3/4 in.
9	902300	2	Hhdblt - G5 3/8x1 in. Yellow Zinc
10	901619	4	Hhdblt - G5 5/8-11 x 1-1/2
11	901105	2	Washer - Flat 3/8 in. SAE
12	900920	2	Key Sq - 1/2 x 2
13	900844	2	Screw - Set 1/2 x 1/2 Hhd Cp
14	900508	4	Lockwasher, 5/8 Yellow Zinc
15	900504	2	Washer-Lock 3/8 in.
16	900499	1	Washer, 3/4 Flat
17	900372	1	Hhdnut - 3/4-10unc
18	900361	1	Nut: Jam 3/4 Hhd
19	46.04709	1	Breather Plug Rams(94) 1/4 in. MPT
20	42.1541926.5	1	Motor, Hyd
20a	42.1541773	1	Seal Kit for Item 20
21	42.1520795	1	Sprocket-100b10
22	42.1520794.8	1	Planetary Gearbox
23	42.1520104	1	Sprocket-100b20
24	42.1080220	1	Bushing, Sprocket - Inner (short) Eskridge
25	42.1080219	1	Bushing, Sprocket - Outer (long) Eskridge
26	42.1080218.8	1	Washer, Fdtble Plntry Shaft - Eskridge
27	42.0801402	1	Chain: Rir #100h Super Rvt Ust 50p
28	42.0800778	1	Wldmt, 3/4-10 x 12 in. Thr Rod
29	42.0800236	1	Mount, Feedtable Hyd Motor
30	32.60001	1	Bushing, 1/4 x 3/8 NPT Steel
31	32.01921	1	Elbow, 3/8 MJIC x 3/8 Jic Swv
32	32.02089	2	Adapter, -12 MJIC x -10 ORB
33	21.21262	1	Gasket, Fan Pump
34	21.20949	4	Fitting, 1/4 NPT x 3/8 HB Brass
35	11.80555	10 Ft	Hose, 3/8 in. Fuel (Order Per Foot)
36	09.70941	4	Washer, Flat 1/2 in. Thick
37	07.17210	4	Clamp, .218 in.-.625 in. Hose

# 7.03 Planetary Gearbox



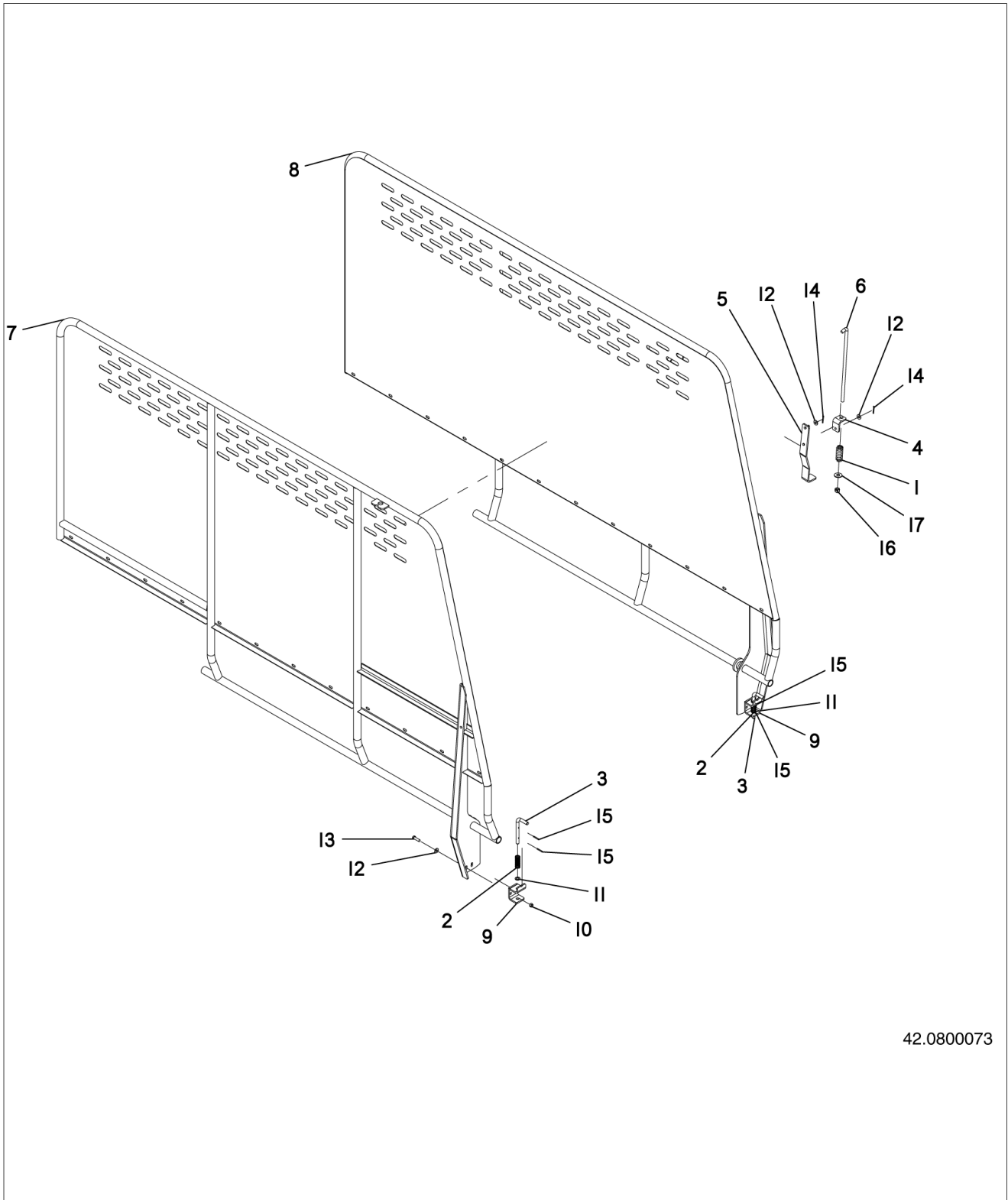
42.1520794



## 7.03 Planetary Gearbox

Item	Part No.	Quantity	Description
1	NSS	1	"G" Base-SAE 'C' Mount
2	42.0801186	1	2 in. Dia Shaft - 1/2 in. Keyway
3	NSS	1	Cover
4	42.0801187	1	Input Gear SAE 1 in. -6B Spline
5	42.0801188	1	Carrier Assembly
5a	NSS	1	Planet Thrust Washer
5b	NSS	3	Planet Gear
5c	NSS	3	Planet Shaft
5d	NSS	6	Planet Bearing
5e	NSS	6	Planet Thrust Washer
5f	NSS	3	Roll Pin 3/16 in. x 7/8 in.
6	42.0801189	1	Ring Gear
7a	42.0801190	1	Carrier Thrust Washer
7b	42.0801191	1	Input Thrust Washer
8	42.0801192	AR	Seal Kit
9a	42.0801193	1	Bearing Cone (Outer)
9b	42.0801194	1	Bearing Cup (Outer)
9c	42.0801195	1	Bearing Cone (Inner)
9d	42.0801196	1	Bearing Cup (Inner)
10	NSS	12	CapScrew, Hex 7/16-20 Gr 8
11	NSS	12	Washer, Lock 7/16 in.
12a	NSS	2	Pipe, Plug Magnetic 3/8 in. NOT-Soc Hd
12b	NSS	1	Pipe, Plug 1/4 in. NPT-Soc Hd
12c	NSS	1	Gease Fitting (Optional)
12d	NSS	1	Air Vent 3/8 in. NPT (Optional)
13	42.0801197	AR	Shims
14	NSS	1	Split Ring (Matching Halves)
15	NSS	1	Lock Ring

# 7.04 Feed Table Wing Assembly

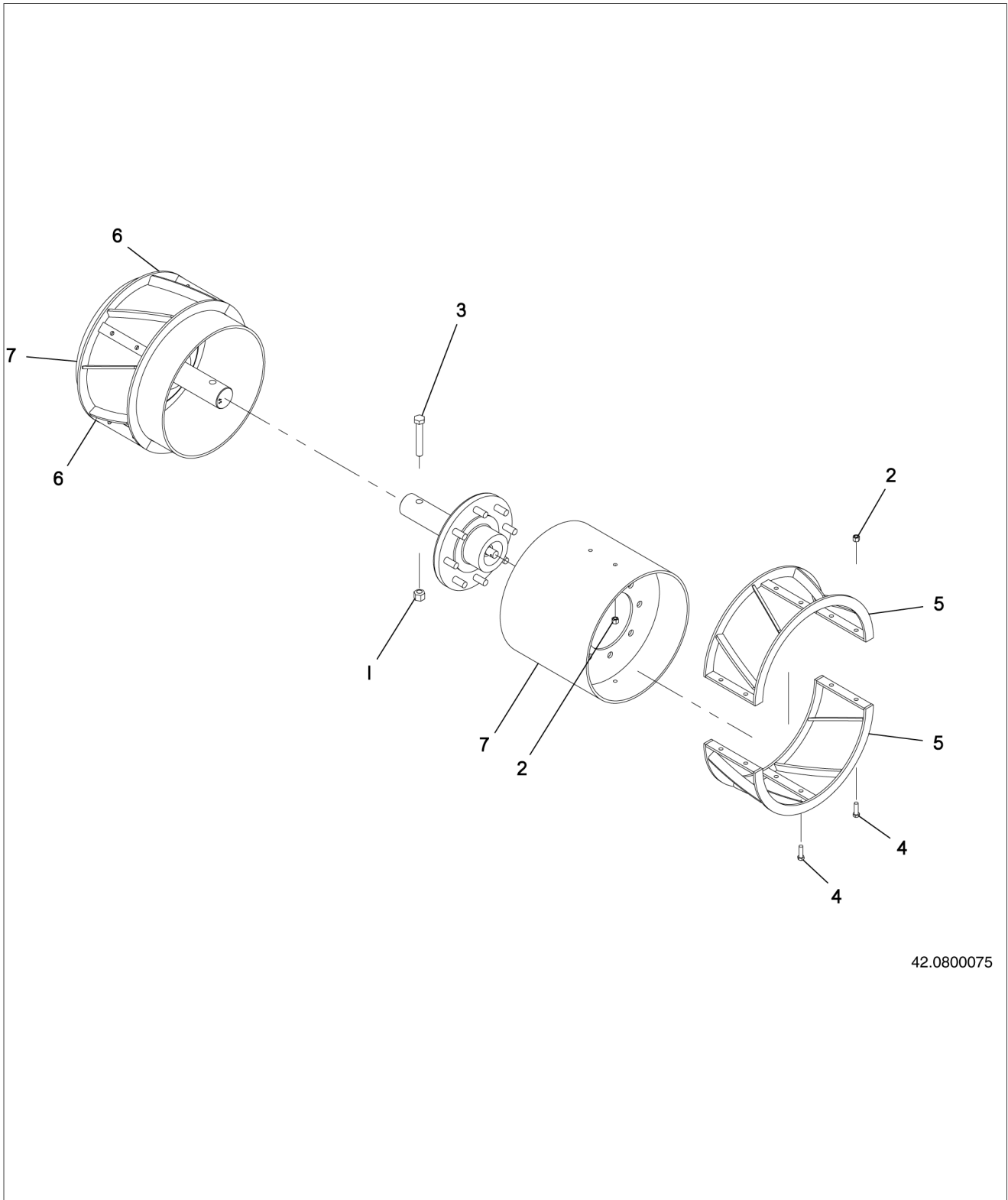


42.0800073

## 7.04 Feed Table Wing Assembly

Item	Part No.	Quantity	Description
1	07.09563	1	Comp Spring, Inner Hold-Down
2	07.17764	2	Spring, Compression
3	17.00750	2	Pin: Cam Lever
4	42.0800308	1	Plate- Rod Mount
5	42.0800310	1	Latch Handle Wld
6	42.0800311	1	Rod, Wing Latch
7	42.0800329	1	Feedtable Wing Wld CE
8	42.0800332	1	Feedtable Wing Wld EE
9	42.0800336	2	Latch Mount Wld
10	900366	4	Hhdnut - 3/8-16
11	900509	2	Mach Bshg - 1/2 in. 14 Ga
12	901105	8	Washer - Flat 3/8 in. SAE
13	902367	4	Hhdblt, Gr 5, 3/8-16 x 1-1/4
14	902903	2	Pin: Stainless Steel Cotter 1/8 x 1-1/4 In.
15	904246	4	Pin - Spring 5/32 x 1-1/4
16	907392	1	Hhdnut, 1/2-13 Stainless Steel Nylock
17	907466	5	Washer, 1/2 Wide Flat Stainless Steel

# 7.05 Feed Table Wheel Assembly

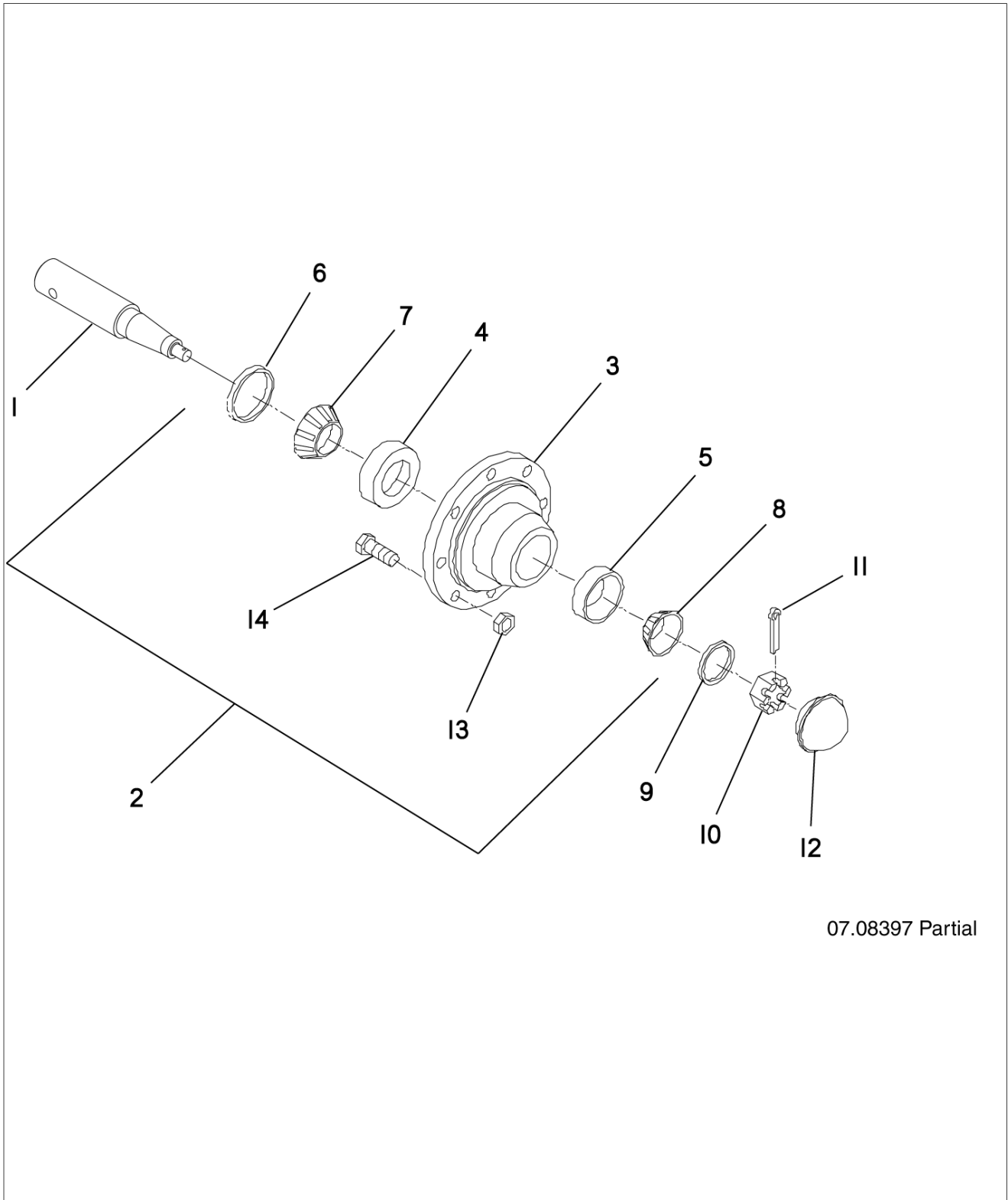


42.0800075

## 7.05 Feed Table Wheel Assembly

Item	Part No.	Quantity	Description
1	906402	2	Nut, Hex Lock, 5/8-11 Nylock
2	906400	16	Nut, Hex Lock, 3/8-16 Nylock
3	904218	2	Bolt, Hex, 5/8 in. x 4 in. Gr 5
4	902367	16	Bolt, Hex, 3/8-16 x 1-1/4 in. Gr 5
5	42.1080222	2	Cleat Weldment, Cab End
6	42.1080221	2	Cleat Weldment, Engine End
7	42.0800351	2	Wheel, Feed Table Weldment

### 7.06 Hub And Spindle Assembly 8 Bolt

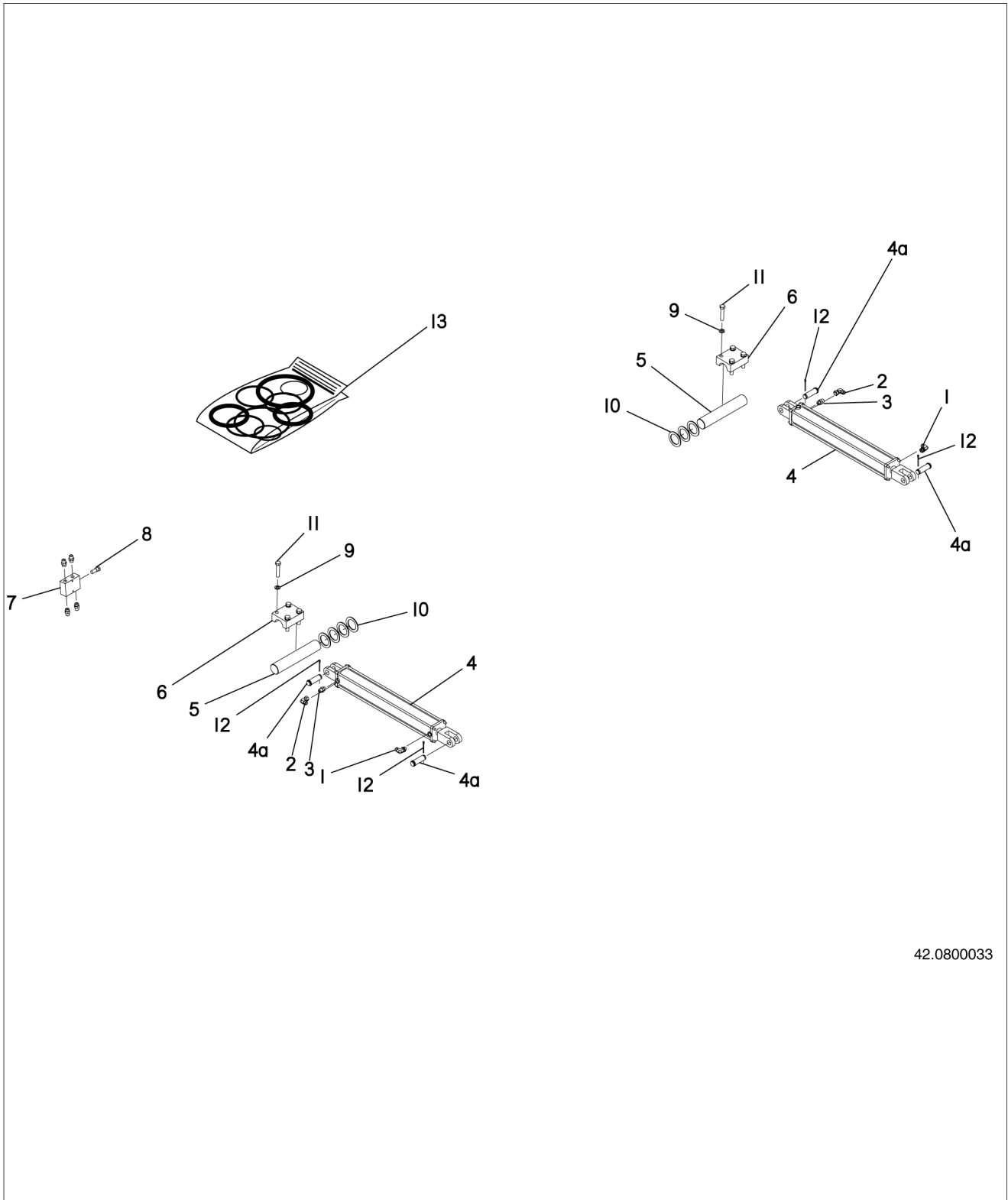


07.08397 Partial

## 7.06 Hub And Spindle Assembly 8 Bolt

Item	Part No.	Quantity	Description
1	07.08400	1	Spindle, 2.25 in. x 12.00 in.
2	12.10167	1	Hub, 8 Bolt Complete
3	12.10157.7	2	Hub Assembly With Cups (Includes Items 4, 5 & 14)
4	902893	2	Bearing Cup, Inner
5	901182	2	Bearing Cup, Outer
6	902894	2	Seal, Oil, 2.250 in.
7	901892	2	Bearing Cone, Inner
8	901181	2	Bearing Cone, Outer
9	902408	2	Washer, Flat, 3/4 in.
10	09.70765	2	Nut, Slotted, 3/4-16
11	905786	2	Pin, Cotter, 5/32 in. x 1-3/4 in.
12	902410	2	Cap, Hub
13	65.10125	16	Nut, Wheel
14	65.10122	16	Stud, Wheel (Included With Item 3)

# 7.07 Feed Table Lift Assembly



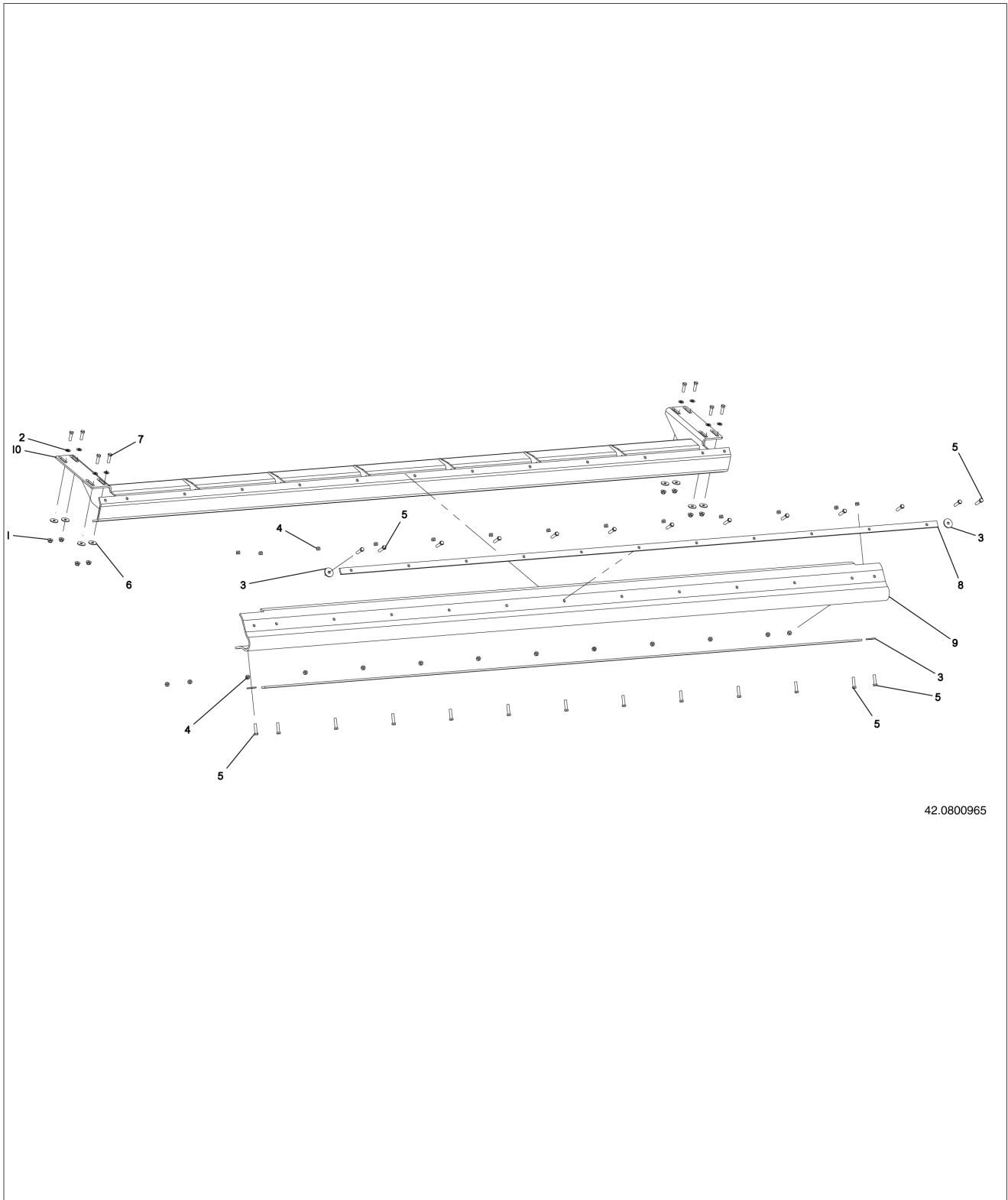
42.0800033



## 7.07 Feed Table Lift Assembly

Item	Part No.	Quantity	Description
4a	42.1542091	2	Pin, Clevis
1	09.74145	2	Elbow: -08 ORB x 1/2 MJIC
2	09.74149	2	Elbow, 90 1/2 in. JIC Swivel
3	09.74155	6	Adapter, -08 ORB x 1/2 M JIC
4	42.0800721	2	Hyd Cylinder, 3 in. x 24 in. ORB
5	42.1080048	2	Shaft: Feedtable Mounting
6	42.1080087.8	2	Anchor Block, Feedtable Mounting Block
7	42.1212008	1	Manifold, Cylinder Check
8	42.1541795	1	Valve, PO Check
9	900508	8	Lockwasher, 5/8 Yellow Zinc
10	900655	7	Machine Bushing - 3-1/4 Od x 2-1/4 Id x #10 Ga
11	903849	8	Hhdbl 5/8-11 x 3 Gr5
12	907427	4	Cotter Pin, 3/16 x 2 Stainless Steel
13	42.1500238	1	Seal Kit, Hydraulic Cylinder

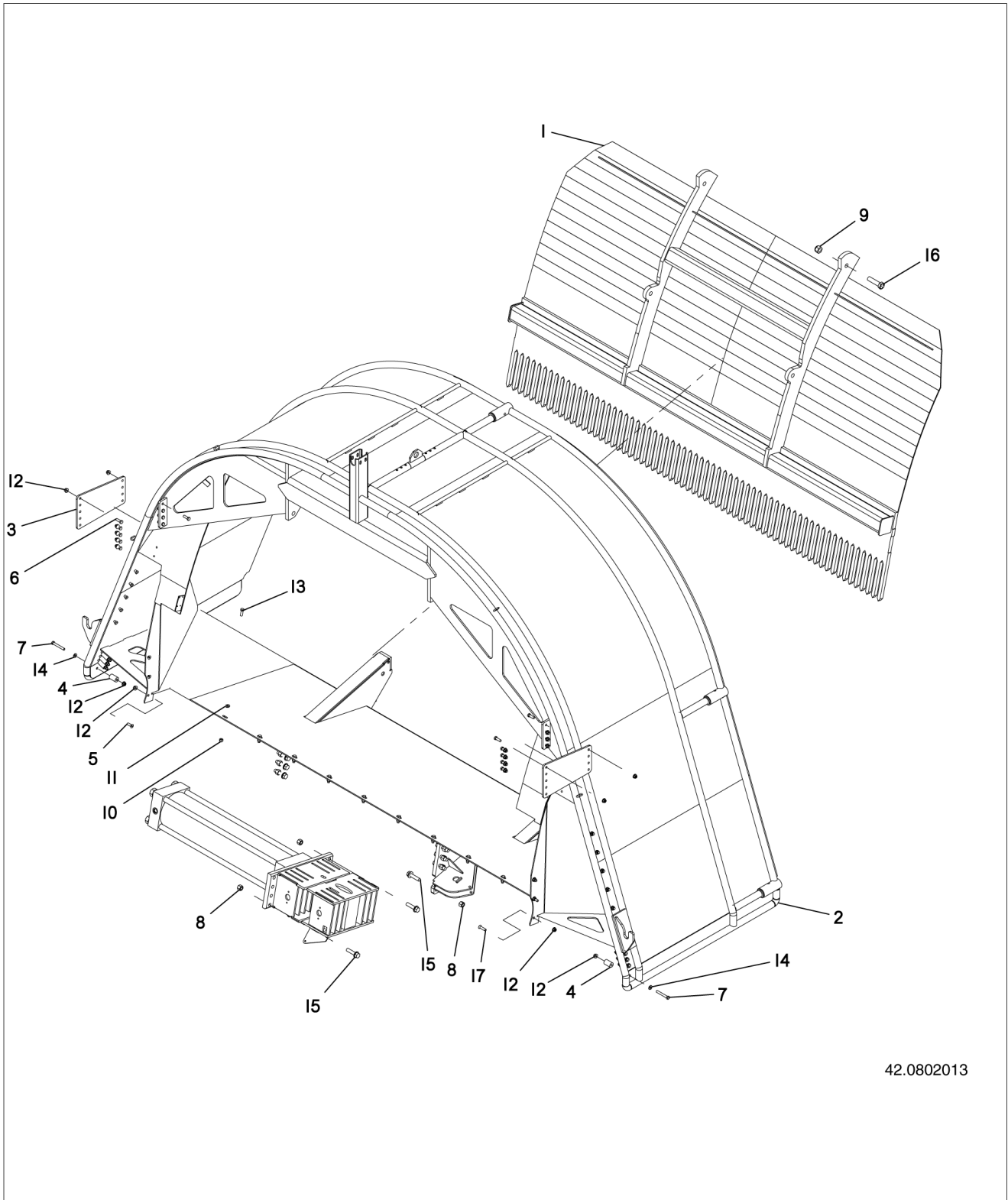
# 7.08 Forage Dam Assembly



## 7.08 Forage Dam Assembly

Item	Part No.	Quantity	Description
1	907779	8	Hhdnut - Nylon Lk Fing 3/8-16 Yellow Zinc
2	907600	8	Flatwasher, 3/8 Hardened
3	907533	4	Flatwasher, 3/8 Wide Heavy Stainless Steel
4	907391	26	Hhdnut - Stainless Steel Nylok 3/8-16
5	907376	26	Hhdbl, Stainless Steel 3/8-16 x 1-1/2
6	907057	8	Washer - Flat .388x1.25x.12
7	902367	8	Hhdbl, Gr 5, 3/8-16 x 1-1/4
8	42.1212013	2	Strip, Forage Dam Backup
9	42.0800964	1	Skirting, Forage Dam
10	42.0800958.8	1	Forage Dam Wldmnt

# 7.09 Asm: LX1214 14 Ft Base Tunnel

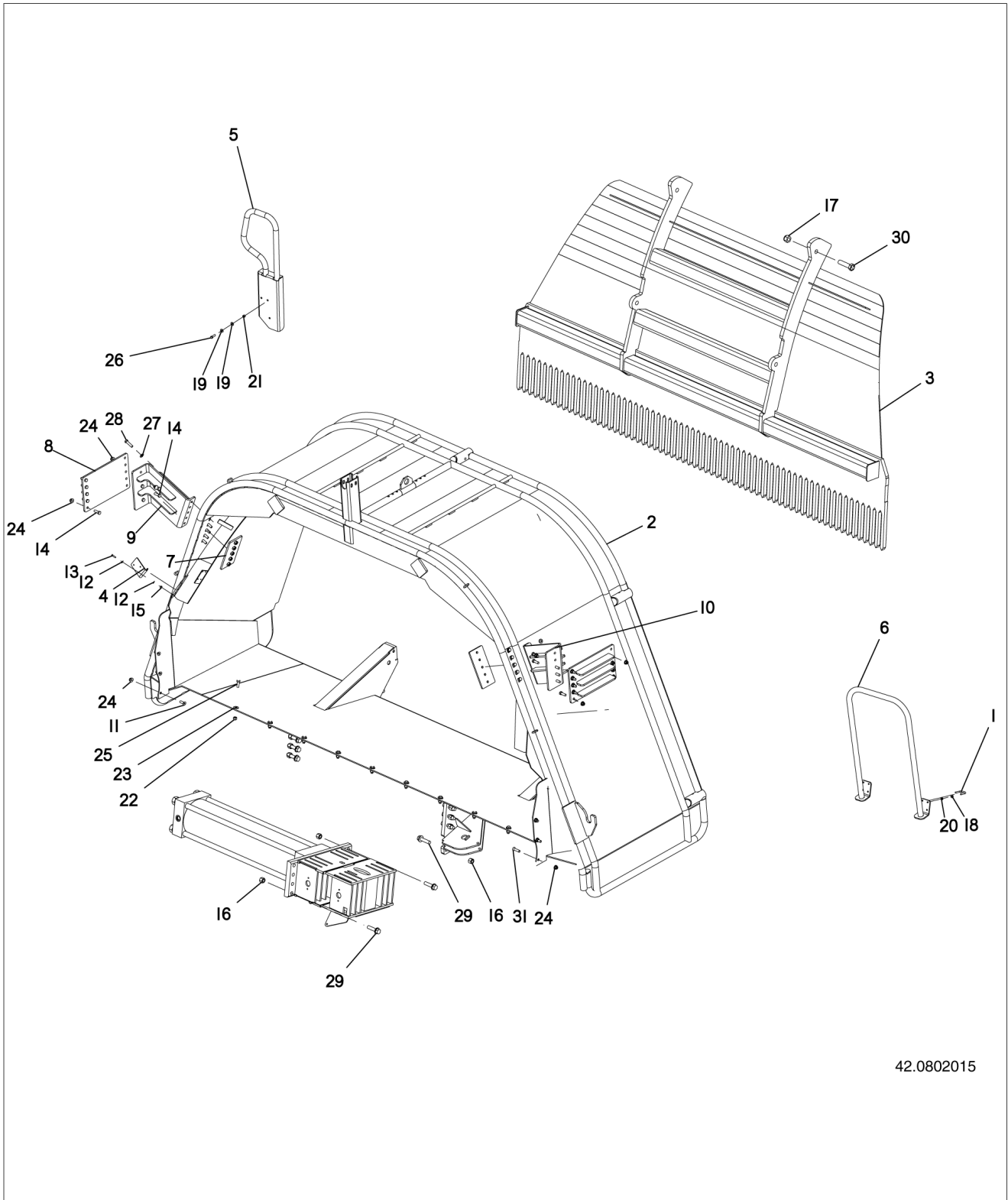


42.0802013

## 7.09 Asm: LX1214 14 Ft Base Tunnel

Item	Part No.	Quantity	Description
1	42.0800104	1	Frame, Tunnel Cleanout 14 Ft
2	42.0800107	1	Tunnel Shell Weldment, 14 Ft
3	42.0800315	2	Plate - Tunnel Support 14 Ft
4	42.0801120	8	Spacer - .50 Id x 1.25 OD x 2.00 L
5	42.1550436	4	Screw - Fhdsoc 1/2-13 x 1-1/2 in.
6	903306	28	Hhblt G 5 1/2-13 x 1.50
7	904342	8	Hhdbl, Gr5 1/2-13 x 3-3/4
8	906349	12	Nut: Hex Nylok Lk 3/4-10
9	907248	2	Hhdnut, 1-8 Nylock
10	907392	9	Hhdnut, 1/2-13 Stainless Steel Nylock
11	907395	9	Washer, 1/2 Stainless Steel Flat
12	907399	42	Hhdnut - Nylon Lk 1/2-13 Flange
13	907424	9	Hhdbl, 1/2-13 x 1-1/2 Stainless Steel
14	907594	8	Flatwasher, 1/2 Hardened
15	907866	12	FIng Blt, Gr8, 3/4-10 x 3
16	907893	2	Hhdbl, Gr 5 1-8 x 4,
17	908171	2	Screw - Fhdsoc 1/2-13 x 2 in.

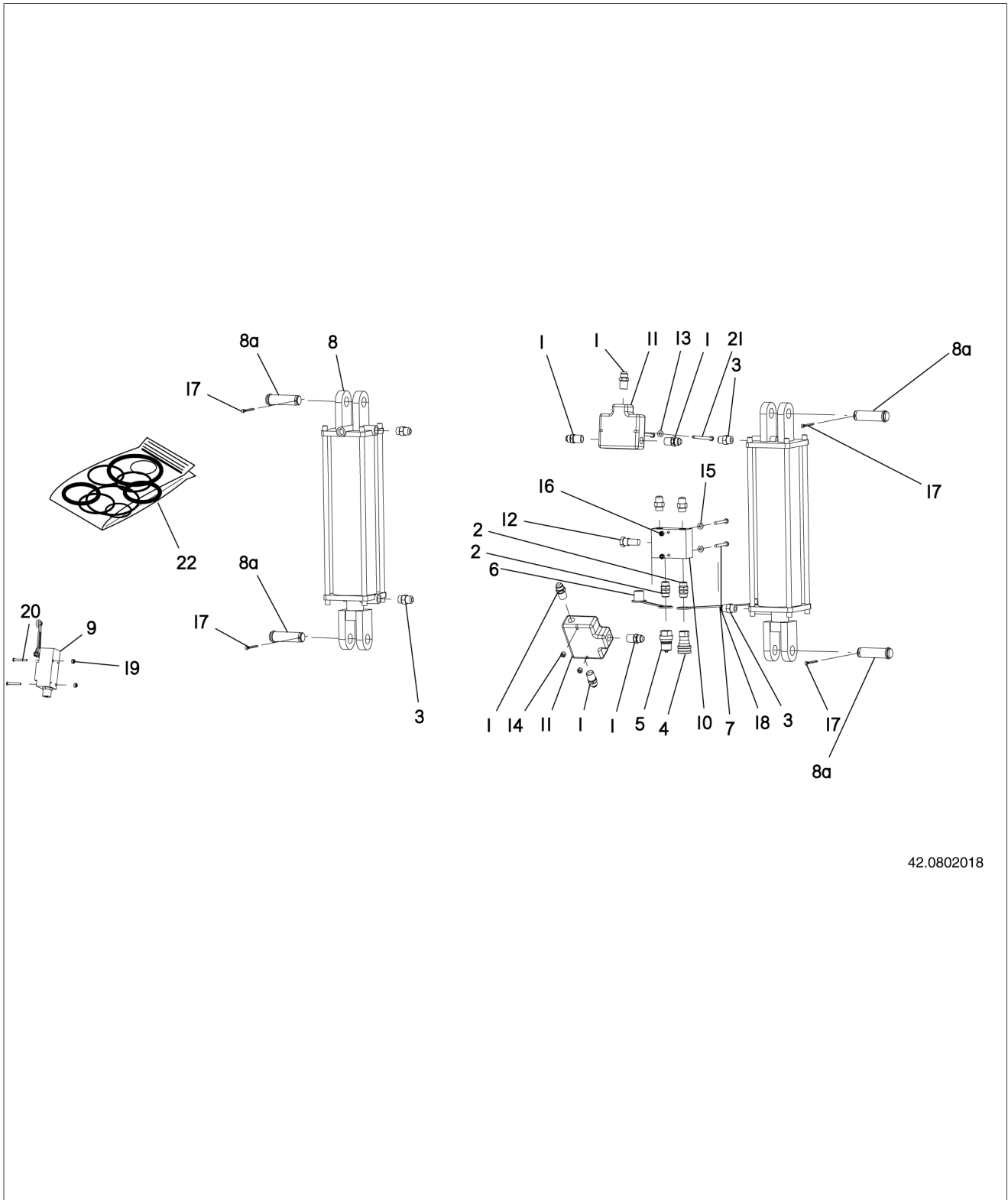
# 7.10 Asm: LX1214 12 Ft Base Tunnel



## 7.10 Asm: LX1214 12 Ft Base Tunnel

Item	Part No.	Quantity	Description
1	21.21655	4	U-Bolt, 5/16 x 1.37 x 1.5 Round Stainless Steel
2	42.0802202	1	Wdmt: Tunnel Shell 12 Ft LX
3	42.0802203	1	Wdmt: Cleanout Door LX 12 Ft
4	42.0802236.8	1	Panel: Mount Valve Block
5	42.0802243.8	1	Wdmt: Handrail EE TS
6	42.0802244.8	1	Wdmt: Handrail CE TS
7	42.0802281.8	2	Bar: Mount Backing W/nuts
8	42.0802283.8	2	Wdmt: Tunnel Support W/plates
9	42.0802289.8	1	Wdmt: Lt Tunl Mnt LX 12 Ft
10	42.0802290.8	1	Wdmt: Rt Tunl Mnt LX 12 Ft
11	42.1550436	4	Screw - Fhdsoc 1/2-13 x 1-1/2 in.
12	900493	4	Washer - Flat 1/4 in. SAE Yellow Zinc
13	903033	2	Hhdbl - G5 1/4 x 1 Yellow Zinc
14	903306	20	Hhblt G 5 1/2-13 x 1.50
15	904092	2	Nut: Hex Nylok Cntr 1/4 In.
16	906349	12	Nut: Hex Nylok Lk 3/4-10
17	907248	2	Hhdnut, 1-8 Nylock
18	907379	8	Washer, Stainless Steel 5/16 Flat
19	907380	6	Washer: Stainless Steel Flat 3/8 In.
20	907390	8	Hhdnut, 5/16-18 Stainless Steel Nylock
21	907391	3	Hhdnut - Stainless Steel Nylok 3/8-16
22	907392	9	Hhdnut, 1/2-13 Stainless Steel Nylock
23	907395	9	Washer, 1/2 Stainless Steel Flat
24	907399	26	Hhdnut - Nylon Lk 1/2-13 Flange
25	907424	9	Hhdbl, 1/2-13 x 1-1/2 Stainless Steel
26	907425	3	Hhdbl, Stainless Steel 3/8-16 x 1-1/4
27	907594	10	Flatwasher, 1/2 Hardened
28	907639	10	Hhdbl, 1/2-13 x 2 Stainless Steel
29	907866	12	Fing Blt, Gr8, 3/4-10 x 3
30	907893	2	Hhdbl, Gr 5 1-8 x 4,
31	908171	2	Screw - Fhdsoc 1/2-13 x 2 in.

# 7.11 Asm: LX1214 Tunnel CO Hydraulics



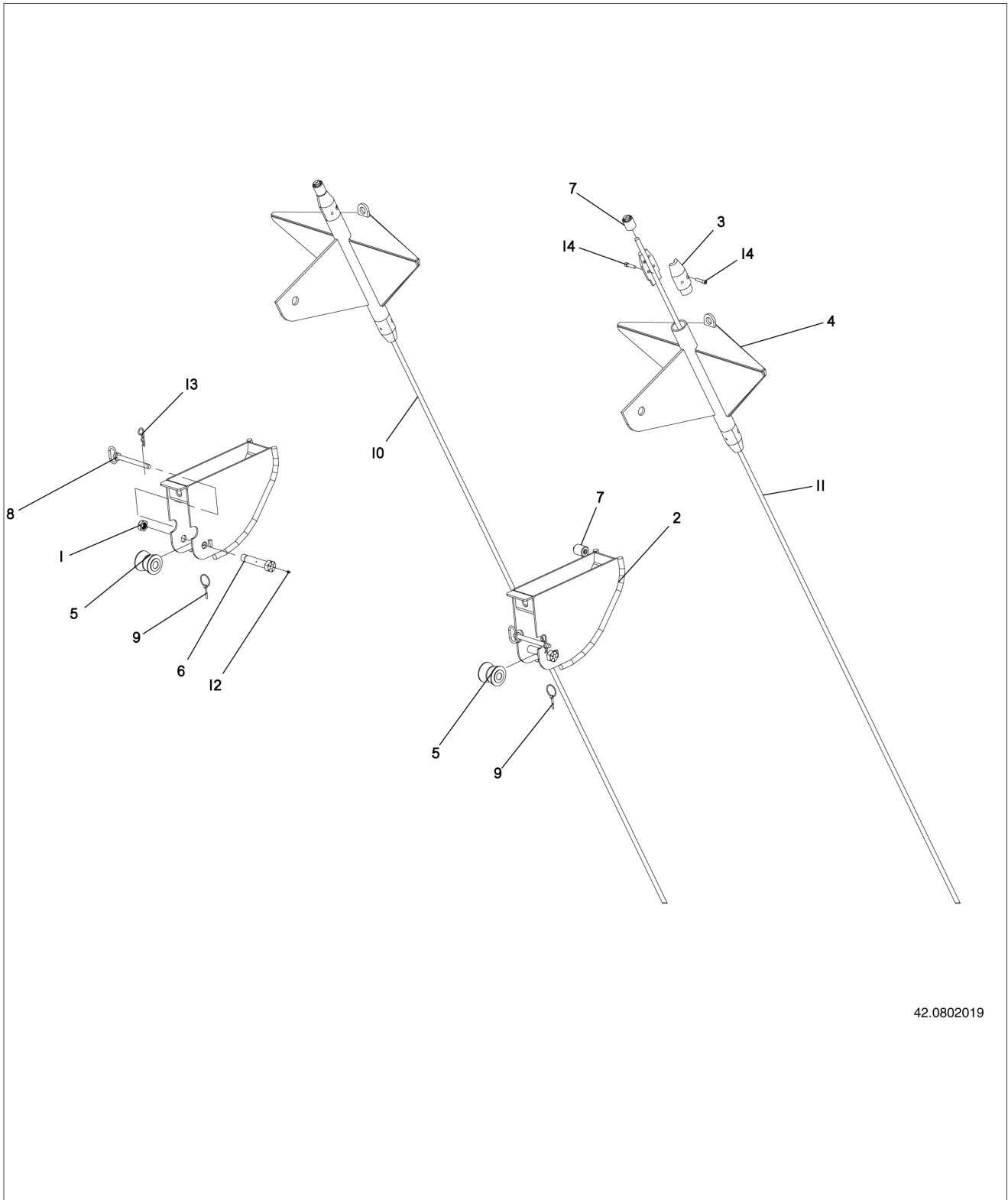
42.0802018



## 7.11 Asm: LX1214 Tunnel CO Hydraulics

Item	Part No.	Quantity	Description
1	07.17862	6	Adapter, 1/2 M JIC To 1/2 MPT
2	09.74147	2	Union: Adj Thd O-Ring 3/4-16
3	09.74155	6	Adapter, -08 ORB x 1/2 M JIC
4	21.00361	1	Coupler - Quick 1/2 Female Body
5	21.00362	1	Coupler - Quick 1/2 Male Body
6	32.03084	1	Dust Cap, 1/2 in.
7	32.03085	1	Dust Plug, 1/2 in.
8	42.0800723	2	Hyd Cylinder, 4 in. x 14 in. ORB
8a	42.0000686	4	Pin, Clevis
9	42.0802249	1	Switch: Tunnel Door
10	42.1212008	1	Manifold, Cylinder Check
11	42.1541109.8	2	Valve, Flow Divider 1/2 in. NPT
12	42.1541795	1	Valve, PO Check
13	900493	2	Washer - Flat 1/4 in. SAE Yellow Zinc
14	904092	2	Nut: Hex Nylok Cntr 1/4 In.
15	907234	2	Washer: Stainless Steel Flat 1/4 In.
16	907389	2	Nut: Hex Stainless Steel Nylok 1/4-20
17	907427	4	Cotter Pin, 3/16 x 2 Stainless Steel
18	907482	2	Hhdbl, 1/4-20 x 2-1/2 Stainless Steel
19	907621	2	Hhdnut, #10-24 Nylock Stainless Steel
20	907637	2	Btndbl, #10-24 x 1-1/2 Stainless Steel
21	907825	2	Hhdbl - G5 1/4-20 x 4-1/4
22	42.0800715	1	Kit: Seal Hydraulic Cylinder

### 7.12 Asm: LX1214 Anchor

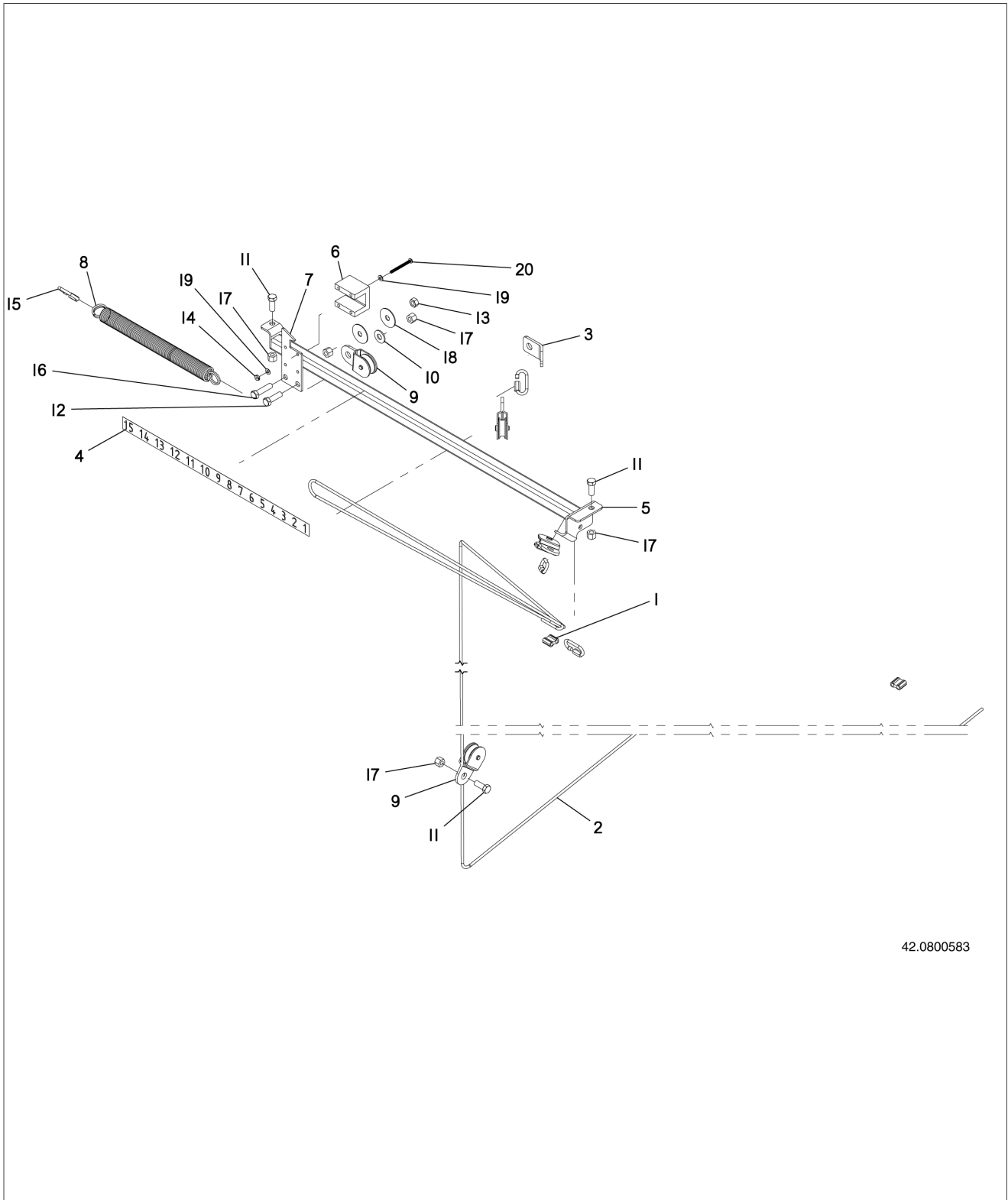


42.0802019

## 7.12 Asm: LX1214 Anchor

Item	Part No.	Quantity	Description
1	09.70791	2	Hhdnut, 1-8 Jam Nylock Yellow Zinc
2	42.0801087.8	2	Support, Anchor
3	42.0802129	8	Stop: Cable, Half
4	42.0802212.5	2	Wdmt: Anchor Compaction Lx 30
5	42.0802304	2	Roller: Anchor With Bushing
6	42.1206076	2	Bolt - Anchor Fair Lead 1 in.
7	42.1501401	4	Knob, Quick D5 Collar
8	42.1550172	2	Pin - Hitch .625 Dia x 4
9	42.1550184	2	Lynch Pin - 1/4 x 1-1/4 Useable
10	42.1590058	1	Cable: 5/8 x 35 Ft Blank Ends
11	42.1590059	1	Cable: 5/8 in. x 30 Ft Blank Ends
12	900538	2	Grease Fitting, 1/4-28
13	907629	2	Hair Pin, Stainless Steel
14	907647	8	Shcs, 3/8-16 x 1-1/2 in.

# 7.13 Anchor Pointer Assembly

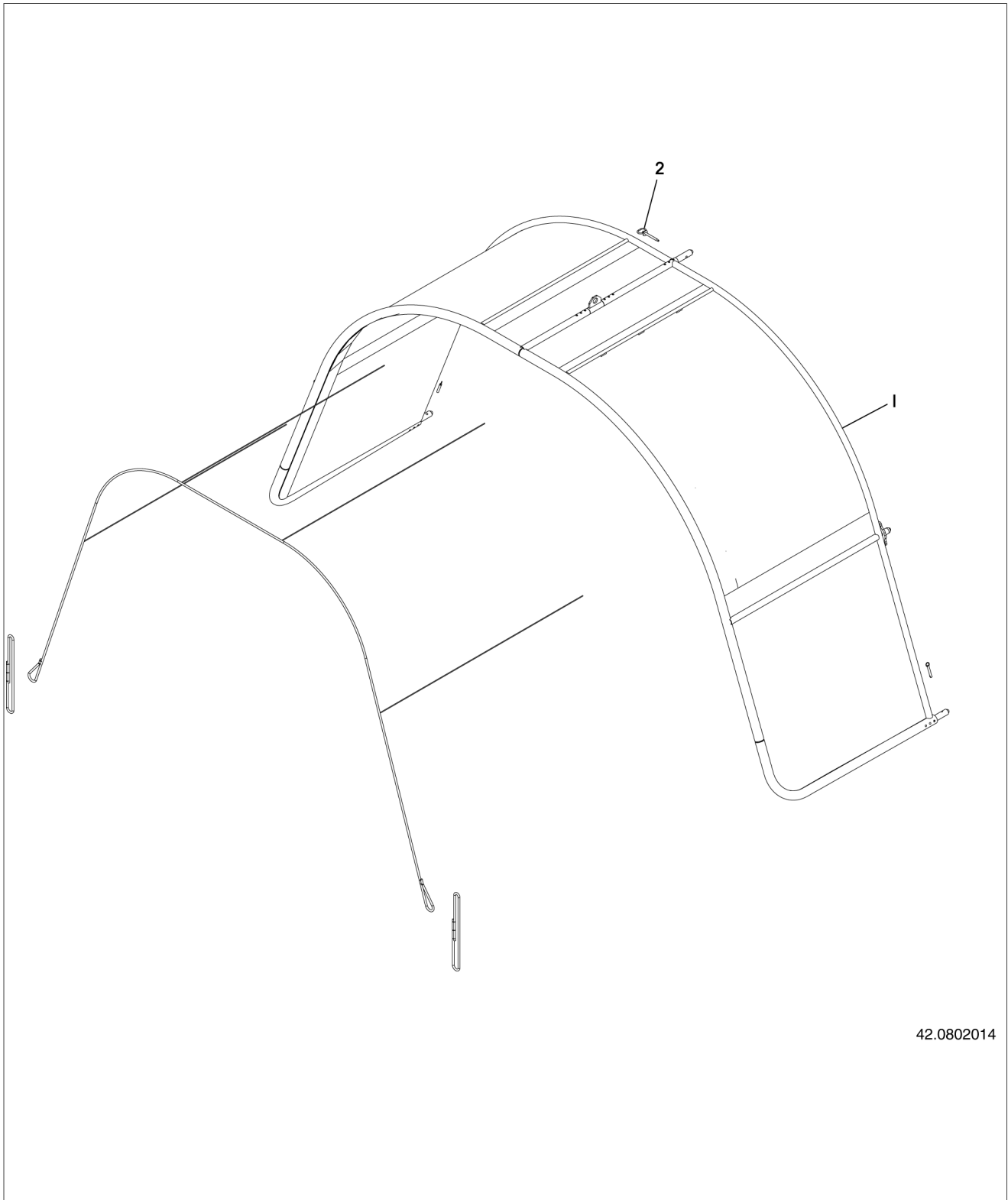


42.0800583

## 7.13 Anchor Pointer Assembly

Item	Part No.	Quantity	Description
1	01.73844	2	Sleeve, Cable
2	11.77120	1	Cable, 3/32 in. 7 x 7 Vinyl - Opaque ( 17 Ft 1 in. Order Per Foot )
3	42.0800571	1	Plate, Pulley Mount
4	42.0800581	1	Decal, Anchor Indicator
5	42.0801276	1	Wdmt, Anchor Indicator
6	42.0801305	1	Guide Block, Anchor Pointer
7	42.0801306	1	Plate, Anchor Pointer
8	42.0901491	1	Spring- Ext 1.062 x .105 x 12.5
9	42.0901492	4	Pulley - Anchor Indicator
10	900495	2	Washer Flat 3/8 in.
11	902300	4	Hhdbl - G5 3/8x1 in. Yellow Zinc
12	902367	1	Hhdbl, Gr 5, 3/8-16 x 1-1/4
13	903937	1	Hhdnut, Toplock 3/8-16
14	904219	4	Hhdnut - Lock 10-32
15	905546	4	Link - Quick S/d Plated 3/16
16	906397	1	Hhdbl, 3/8-16 x 1-1/2 Gr 5 Ft
17	906400	5	Hhdnut - Nylon Lk 3/8-16
18	907440	2	Flatwasher, 3/8 Wide Stainless Steel
19	907494	8	Washer, #10 Flat Stainless Steel
20	908215	4	Screw #10-24unc x 2 Rd Hd Rb

# 7.14 Asm: LX1214 14 Ft Tunnel Extension

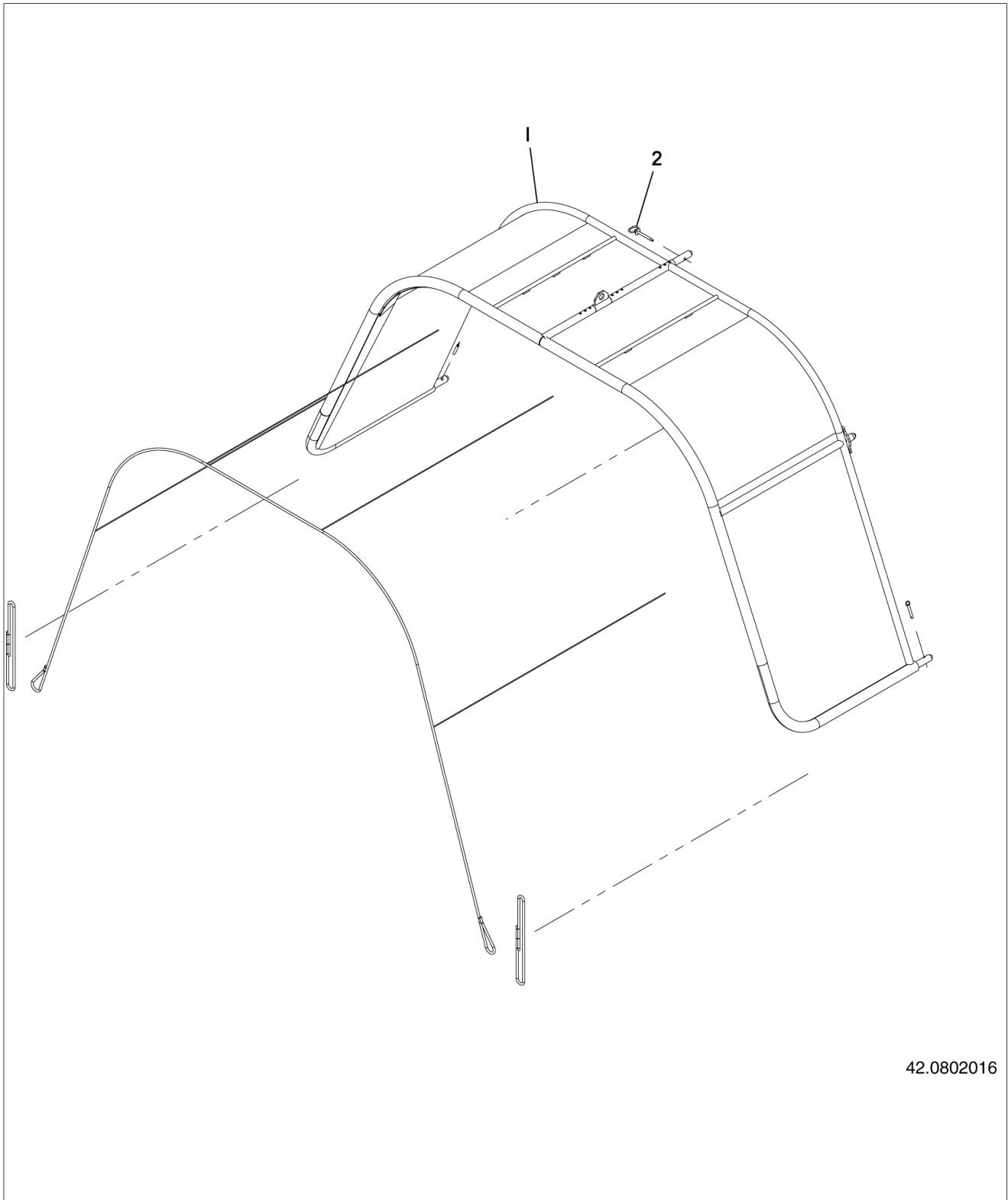


42.0802014

## 7.14 Asm: LX1214 14 Ft Tunnel Extension

Item	Part No.	Quantity	Description
1	42.0800522	1	Tunnel Extension Mb 14 Ft
2	908065	1	Pin, Hitch, 1/2 x 4-3/4

# 7.15 Asm: LX1214 12 Ft Tunnel Extension



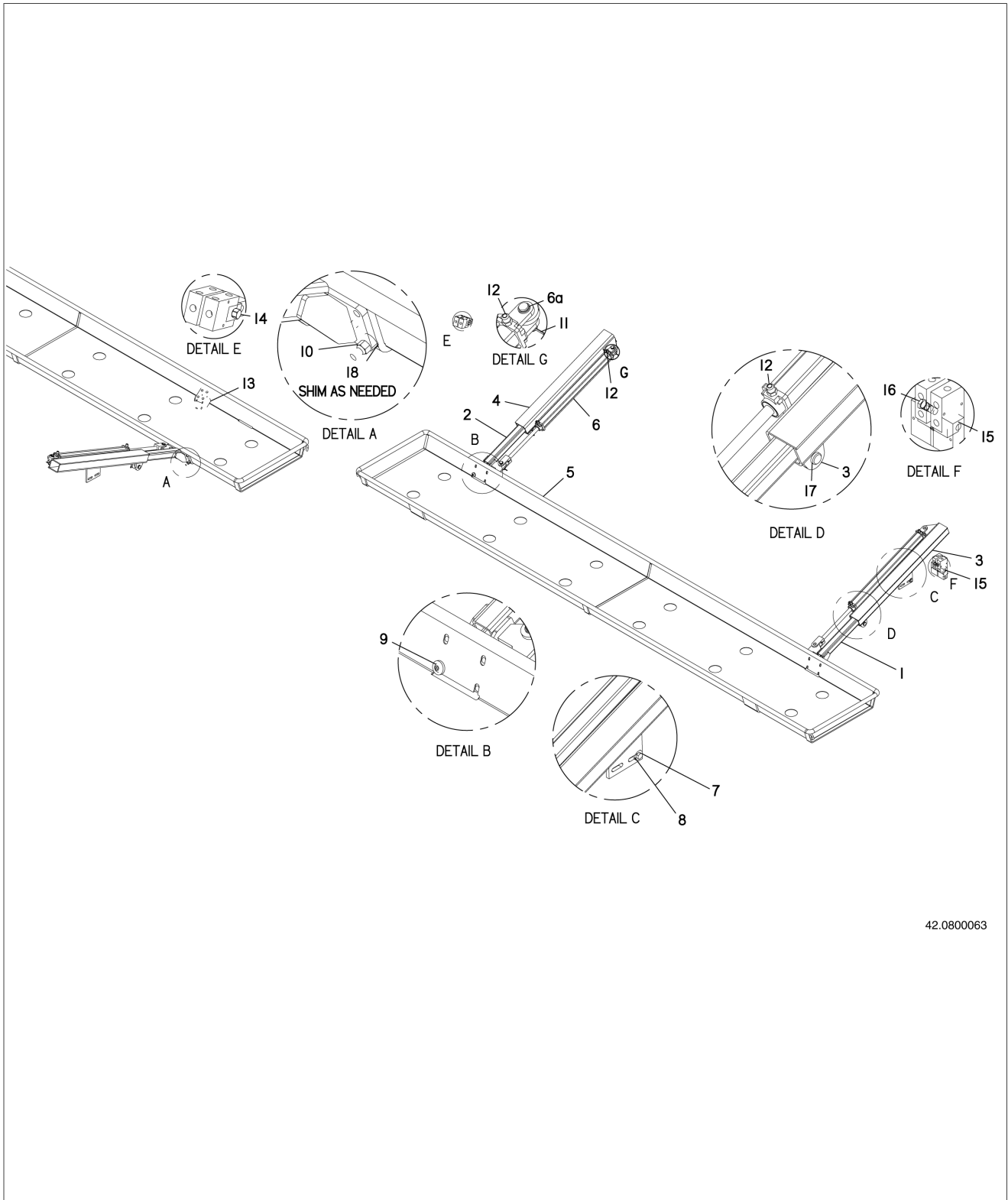
42.0802016



## 7.15 Asm: LX1214 12 Ft Tunnel Extension

Item	Part No.	Quantity	Description
1	42.0802060.8	1	Extension: Tunnel 12 Ft
2	908065	1	Pin, Hitch, 1/2 x 4-3/4

# 7.16 Bag Pan Assembly, 14 Ft. Hydraulic

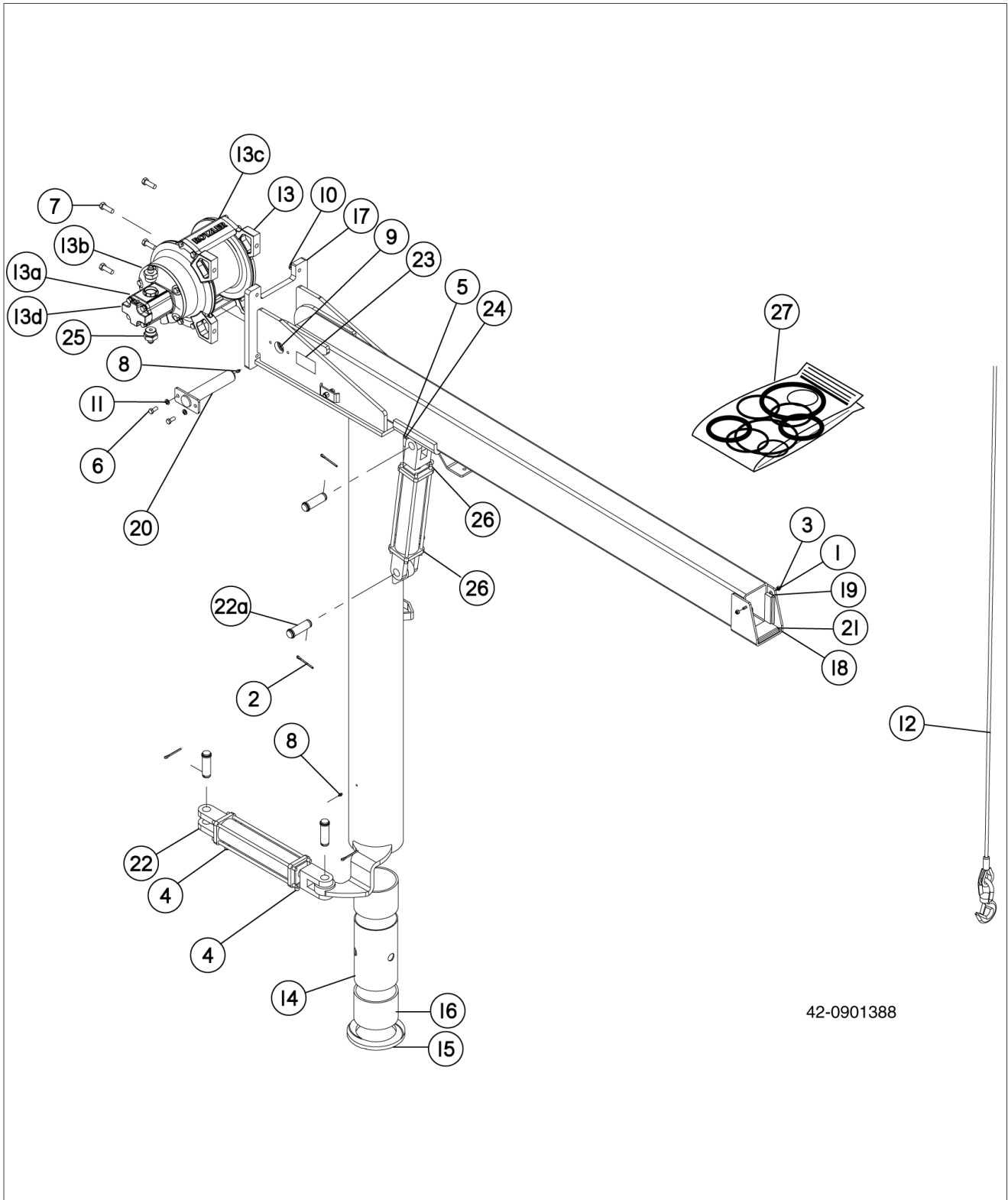


42.0800063

## 7.16 Bag Pan Assembly, 14 Ft. Hydraulic

Item	Part No.	Quantity	Description
1	42.0800094	1	Support Wdmt, Bag Pan - CE
2	42.0800095	1	Support Wdmt, Bag Pan - EE
3	42.0800103	1	Socket Wdmt, Bag Pan Spt - CE
4	42.0800127	1	Socket Wdmt, Bag Pan Spt - EE
5	42.0800130	1	Pan Wdmt, Bag - 14 Ft
6	42.0800719	2	Hyd Cylinder, 2 in. x 30 in. ORB
6a	42.1542091	4	Pin, Hydraulic Cylinder
7	907804	4	Hhblt Gr 8 1/2-13 x 2-1/4 Yellow Zinc
8	09.70941	16	Washer, Flat 1/2 in. Thick
9	908421	8	Bolt: Btnhd 1/2-13 x 2-1/2 In. Stainless Steel
10	907392	12	Hhdnut, 1/2-13 Stainless Steel Nylock
11	907427	6	Cotter Pin, 3/16 x 2 Stainless Steel
12	32.60010	4	Adapter, -06 ORB x 1/2 M JIC
13	42.1541825	1	Valve, Manifold Flow Divider
14	42.1541826	1	Valve, Cartridge Flow Divider
15	42.1212008	8	Manifold, Cylinder Check
16	42.1541795	1	Valve, PO Check
17	21.22738	2	Pin - 1 in. Dia. x 3.25 Grade 5
18	908179	8	Flatwasher, 7/16 Stainless Steel

# 7.17 Bag Boom Frame Assembly



42-0901388

## 7.17 Bag Boom Frame Assembly

Item	Part No.	Quantity	Description
1	907613	2	Bolt, Button Hd, 1/4-20 x 3/4 in. Stainless Steel
2	907427	4	Cotter Pin, 3/16 x 2 in. Stainless Steel
3	907389	2	Nut, Hex Lock, 1/4-20 Nylock Stainless Steel
4	907203	2	Restrictor, .062
5	906400	2	Nut, Hex Lock, 3/8-16 Nylock
6	903699	2	Bolt, Hex, 3/8-16 x 7/8 in. Gr 5
7	903306	4	Bolt, Hex, 1/2-13 x 1-1/2 in. Gr 5
8	903162	2	Grease Zerk, 1/4-28
9	900514	4	Machined, Bushing, 1-1/2 in.
10	900506	4	Washer, Lock, 1/2 in.
11	900504	2	Washer, Lock, 3/8 in.
12	42.1590063	1	Cable, 3/8 in. x 50 Ft. With Hook
13	42.1541974	1	Winch, Planetary Hydraulic 2 Stage
13a	42.0801181	AR	Motor Assembly
13b	42.0801182	AR	Clutch Assembly
13c	42.0801183	AR	Winch Service Kit
13d	42.0801185	AR	Winch Motor Service Kit
14	42.1206093	1	Spacer, Bag Boom Bushing
15	42.1201023	1	Spacer, Wheel Column, Bronze
16	42.1201020	2	Bushing, Wheel Column
17	42.1060178	1	Mast Bag Boom 12 & 14 Ft.
18	42.1060177	1	Outrigger, Bag Boom 12 & 14 Ft.
19	42.0901503	2	Pad, Slide, Bag Boom, Side
20	42.0901355	1	Pin, Bag Boom Outrigger
21	42.0901312	1	Pad, Slide, Bag Boom, Lower
22	42.0800720	2	Hydraulic Cylinder, 2.5 in. x 10 in. ORB
22a	42.1542091	4	Pin, Hydraulic Cylinder
23	40.00472	2	Decal, Warning Hand Crushing
24	322848B1	2	Clip Hydraulic Line
25	32.02103	2	Adapter, -1/2 in. MJIC x -16 ORB
26	07.17911	2	Adapter, -06 ORB x 3/8 in. MJIC
27	42.0800717	1	Seal Kit, Hydraulic Cylinder
		1	Hoses (Not Shown)
	42.0800572	1	Hose, Hydraulic, 3/8 in. Boom Swing Base (Rotate In Valve Top Port To Cylinder Base)
	42.0800573	1	Hose, Hydraulic, 3/8 in. Boom Swing Rod (Rotate Out Valve Bottom Port To Cylinder Rod End)
	42.0800574	1	Hose, Hydraulic, 1/2 in. Boom Winch Short (Winch Up Valve Top Port To Winch Motor Bottom Port)
	42.0800575	1	Hose, Hydraulic, 1/2 in. Boom Winch Long (Winch Down Valve Bottom Port To Winch Motor Top Port)

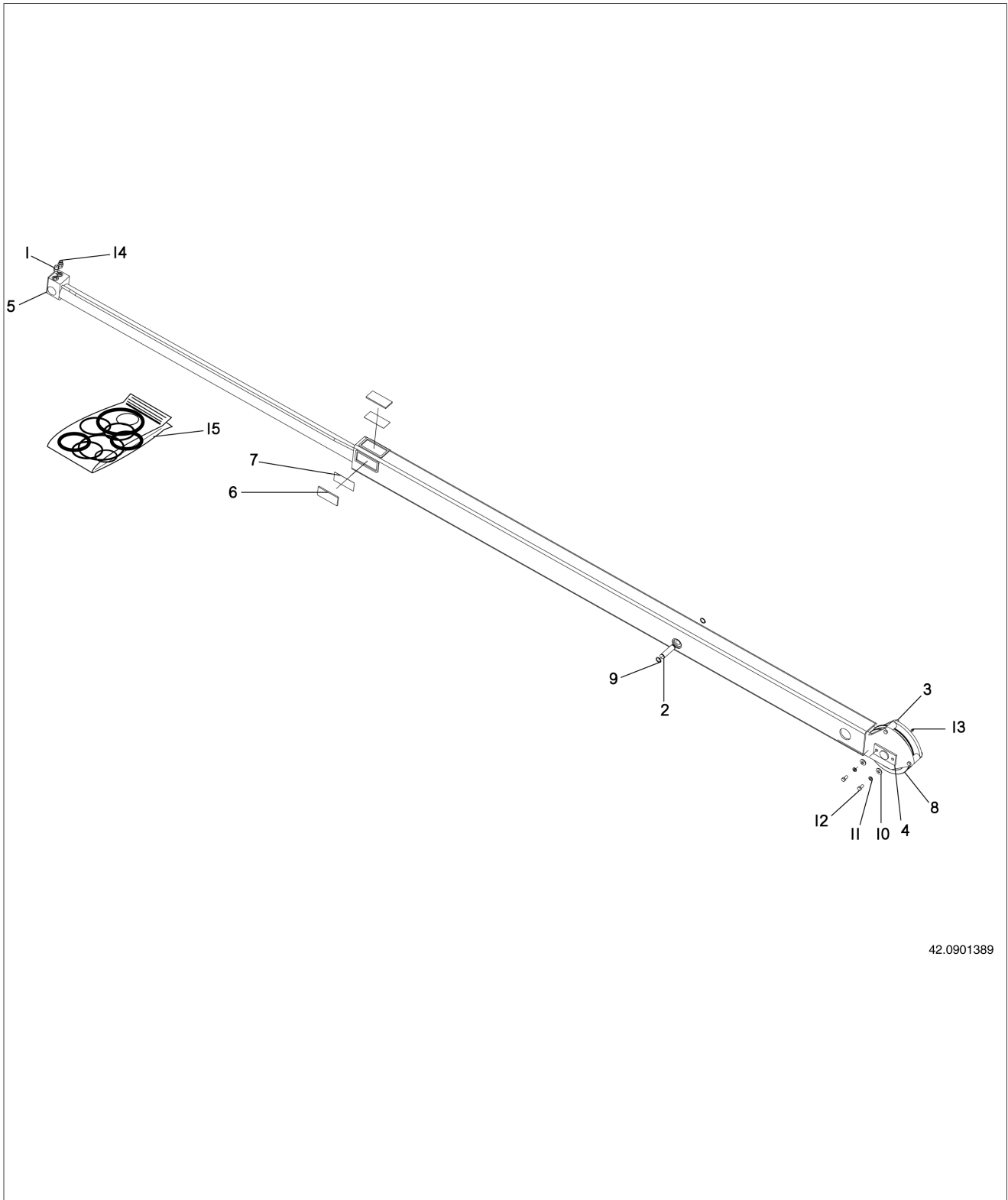
## Section 7

### 7.17 Bag Boom Frame Assembly

Item	Part No.	Quantity	Description
	42.0800576	1	Hose, Hydraulic, 3/8 in. Boom Extend Long
		1	(Boom Retract Valve Bottom Port To Cylinder Rod End)
	42.0800577	1	Hose, Hydraulic, 3/8 in. Boom Extend Short
		1	(Boom Extend Valve Top Port To Cylinder Base)
	42.0800578	1	Hose, Hydraulic, 3/8 in. Boom Tilt Base
		1	(Boom Up Valve Top Port To Cylinder Base)
	42.0800579	1	Hose, Hydraulic, 3/8 in. Boom Tilt Rod
		1	(Boom Down Valve Bottom Port To Cylinder Rod End)

***This Page Intentionally Left Blank***

# 7.18 Bag Boom Extension Assembly



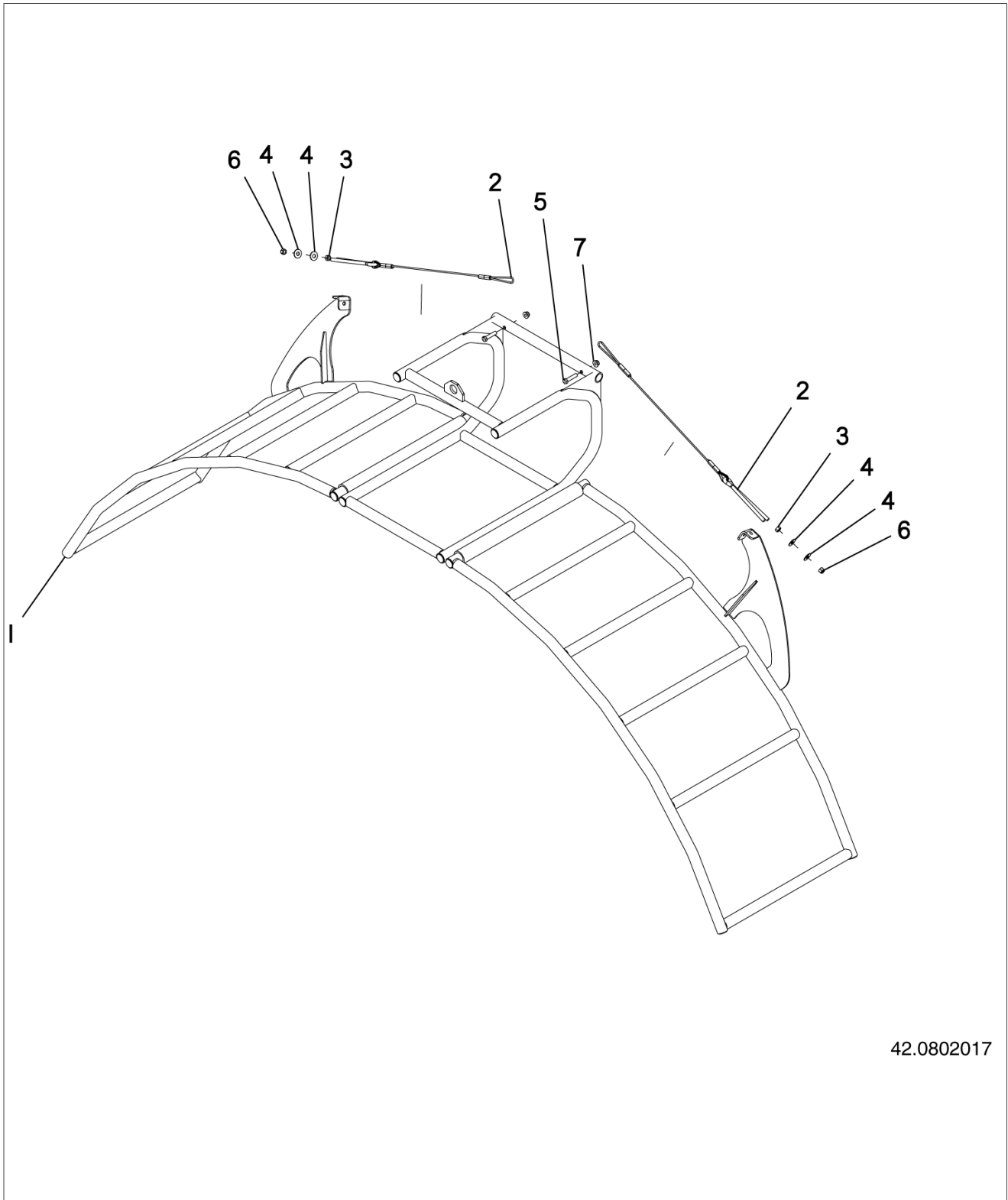
42.0901389



## 7.18 Bag Boom Extension Assembly

Item	Part No.	Quantity	Description
1	07.17911	1	Adapter, -06 ORB x 3/8 M JIC
2	42.0901052	1	Pin, 3/4 in., Bag Boom Extension
3	42.0901055	1	Extension - Bb Outrigger Mb11000
4	42.0901408	1	Pin, Bag Boom Pulley W/Plate
5	42.0901980	1	Cylinder: Bag Boom
6	42.0902023	4	Pad: Slide Bag Boom Extension
7	42.0902024	4	Shim: Slide Bag Boom Extension
8	42.1060156	1	Pulley, Anchor - Large 1-1/2
9	900126	2	Snap Ring - Ext .693 in. ID
10	900495	2	Washer: Flat 3/8 In. Std
11	900504	2	Washer-Lock 3/8 in.
12	902364	2	HhdblT - G5 3/8-16 x 3/4
13	903162	1	Grease Zerk 1/4-28
14	907203	1	Restrictor - .062
15	42.0901981	1	Seal Kit, Bag Boom Cylinder

### 7.19 Asm: LX1214 Bag Cradle

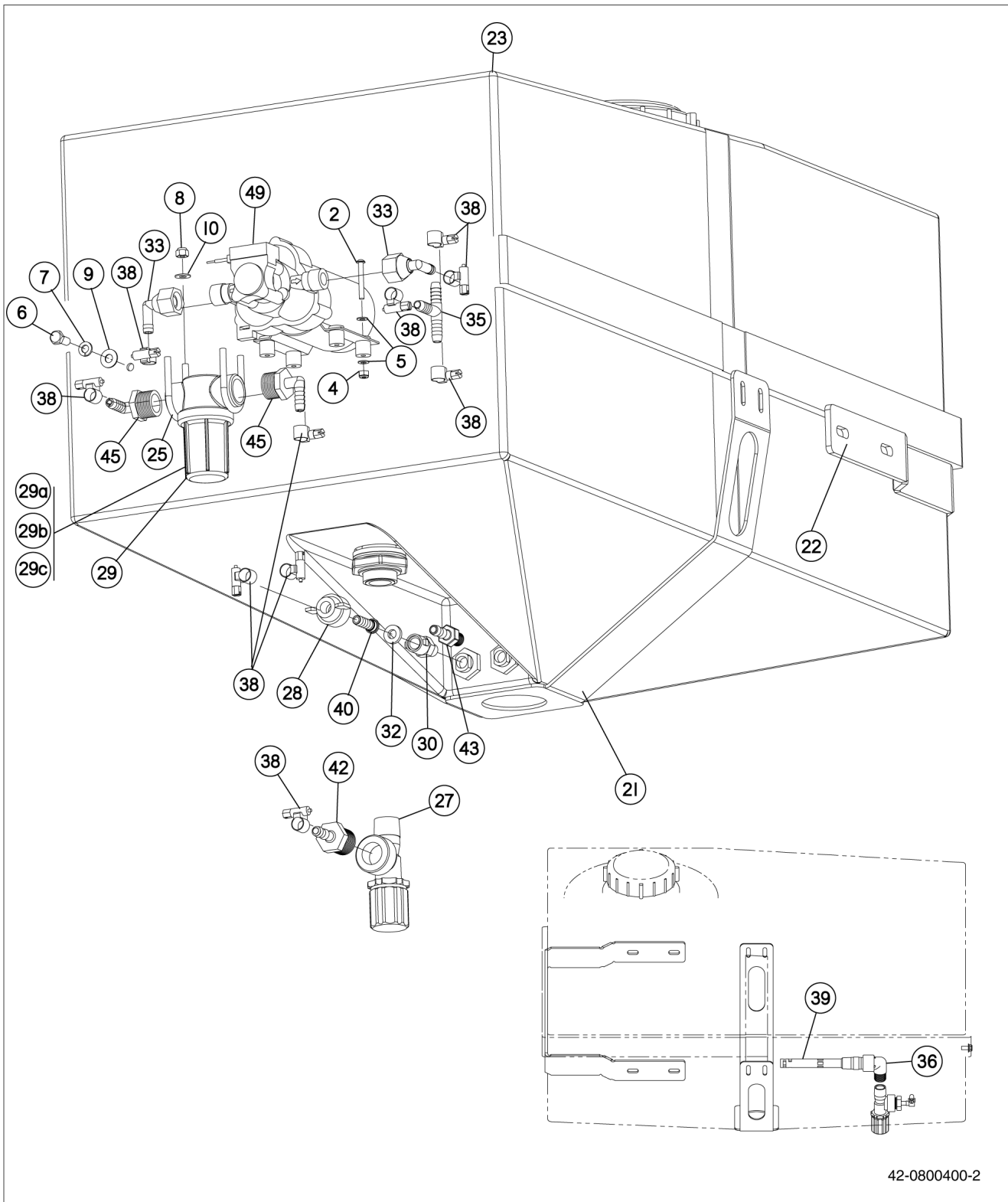


42.0802017

## 7.19 Asm: LX1214 Bag Cradle

Item	Part No.	Quantity	Description
1	42.0800580.5	1	Cradle Wdmt 14 Ft
2	42.0800791	2	Cable Asm - 14 Ft Bag Cradle
3	900369	2	Hhdnut, 1/2-13
4	900497	4	Washer - Flat 1/2 in. Std
5	903300	2	Hhdbl, Gr5 1/2-13 x 2-1/4
6	906401	2	Hhdnut - Nylon Lk 1/2-13
7	907399	2	Hhdnut - Nylon Lk 1/2-13 Flange

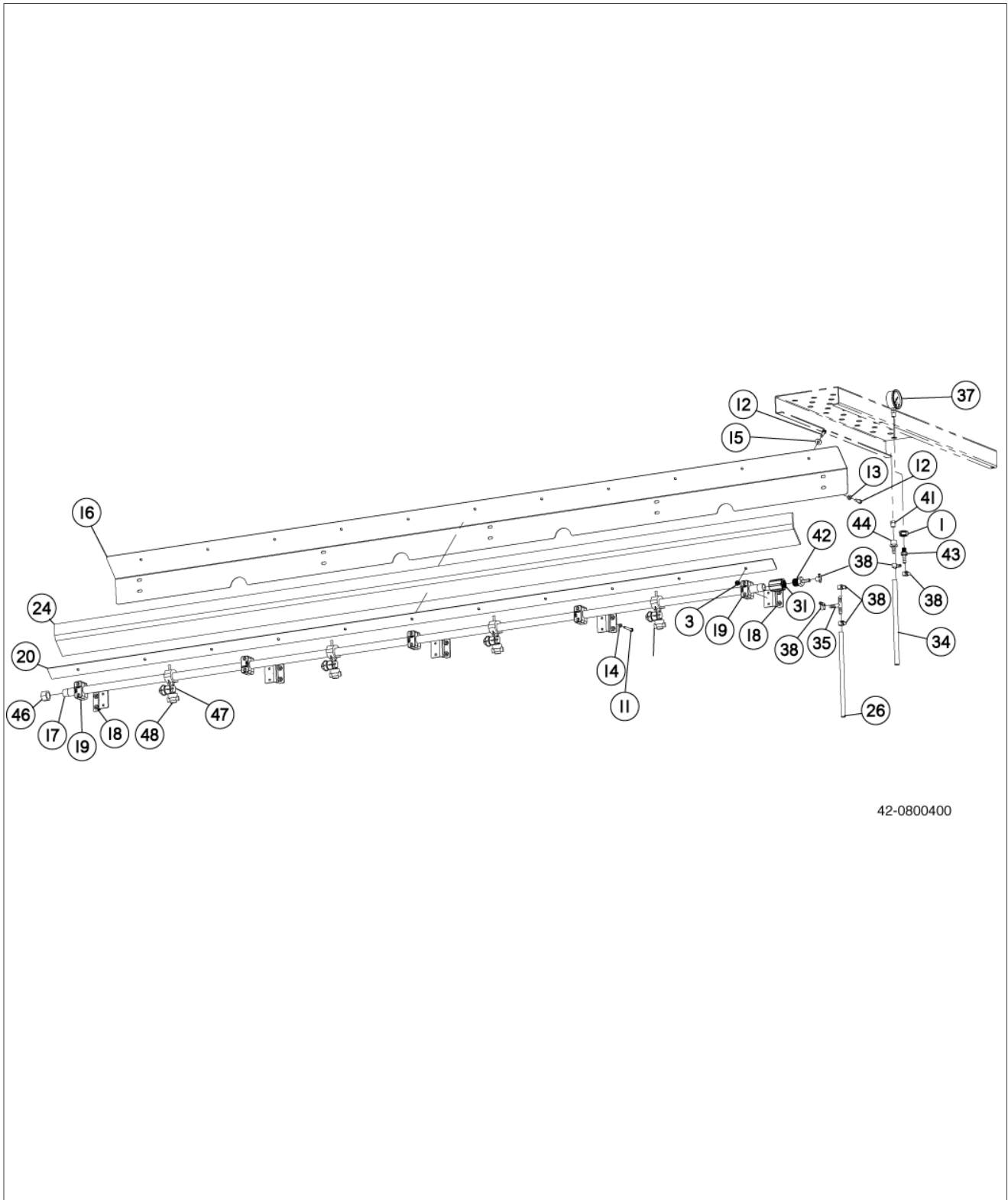
# 7.20 Liquid Applicator Tank Assembly



## 7.20 Liquid Applicator Tank Assembly

Item	Part No.	Quantity	Description
2	907637	4	Bolt, Button Hd. #10-24 x 1-1/2 in. Stainless Steel
4	907621	4	Nut, Hex Lock, #10-24 Nylock Stainless Steel
5	907494	5	Washer, Flat, #10 Stainless Steel
6	907463	12	Bolt, Hex, 5/16-18 x 3/4 in. Stainless Steel
7	907411	12	Washer, Lock, 5/16 in. Stainless Steel
8	907389	4	Nut, Hex Lock, 1/4-20 Nylock Stainless Steel
9	907379	12	Washer, Flat, 5/16 in. Stainless Steel
10	907234	4	Washer, Flat, 1/4 in. Stainless Steel
21	42.0801036	1	Bracket, Inoculant Tank, Bottom
22	42.0800991	1	Bracket, Inoculant Tank, Front
23	42.0800222	1	Tank, Inoculant 56 Gal
25	09.74201	2	U-Bolt, 1/4 in. x 1-1/4 in. x 2-1/4 in.
27	07.17893	1	Valve, Throttling 23520, 3/4 in.
28	07.17837	1	Cap, CP25607-1 Nylon Black
29	07.17537	1	Strainer, 122, 1-3/4 in. PP 50 Mesh
29a	07.17827	1	Filter Bowl
29b	07.17540	1	Gasket
29c	07.17539	1	Screen
30	07.17270	1	Adapter, QJ1/4TT- NYB
32	07.15790	1	Gasket, Cap EPDM CP19438-EPR
33	07.15046	2	Elbow, 90° Swivel 1/2 in. FPT x 3/8 in. Hose Barb
35	07.13368	1	Tee, Hose Barb, 3/8 in. Polypro
36	07.13032	1	Elbow, Street 90° 3/4 in.
38	07.11695	11	Clamp, .375 in.-.875 in. Hose
39	07.11639	1	Agitator, Nylon T-10 VH Complete
40	07.11259	1	Hose Shank, Tee Jet, 3/8 in. Nylon
42	07.10353	1	Straight, 3/4 in. PT x 3/8 in. Hose Barb Nylon
43	07.10341	1	Straight, 1/4 in. PT x 3/8 in. Hose Barb Nylon
45	07.10307	2	Elbow, 90° 3/4 in. MPT x 3/8 in. Hose Barb
49	07.05114	1	Pump, Shurflo 3.0 GPM

# 7.21 Liquid Applicator Assembly

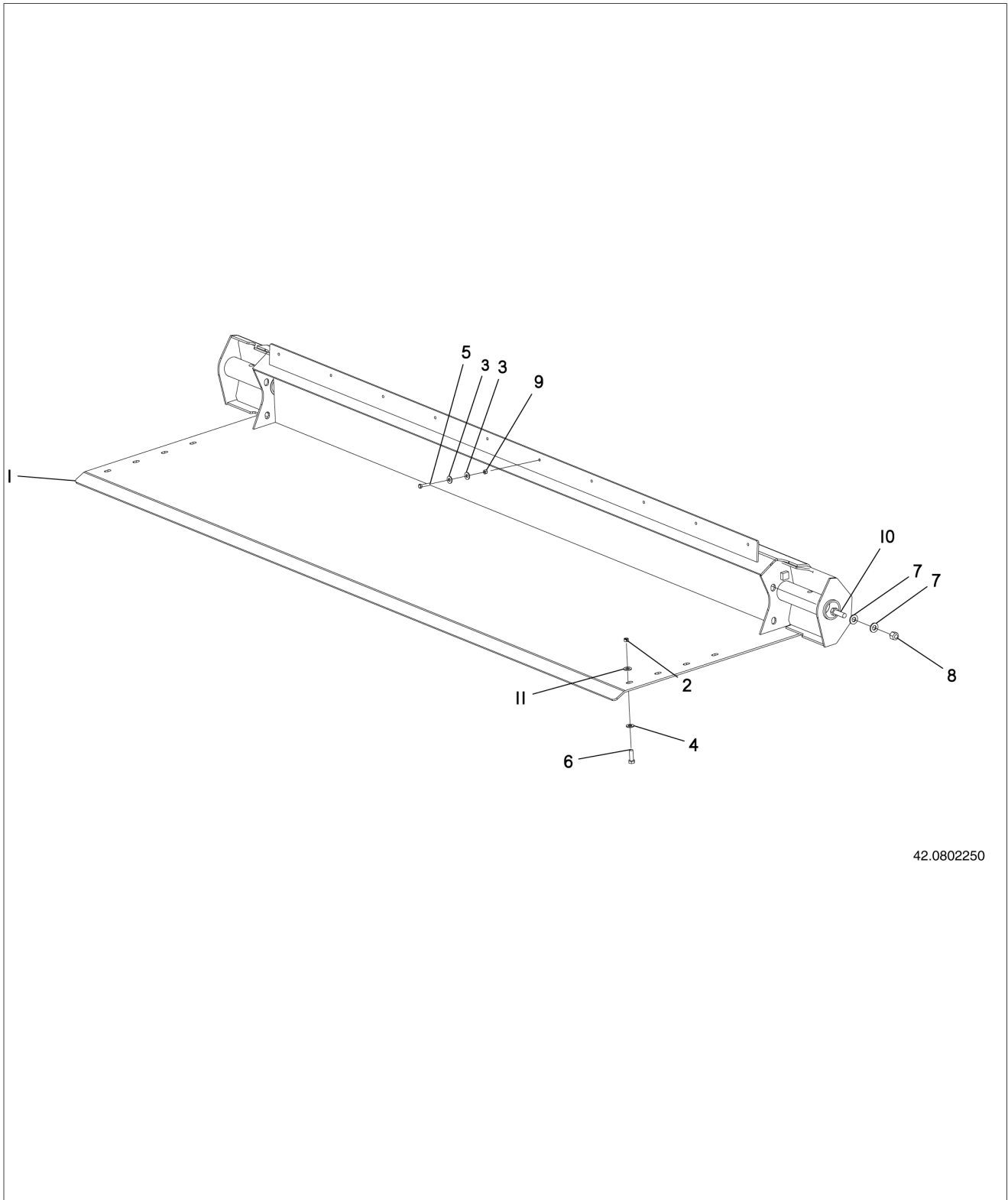


42-0800400

## 7.21 Liquid Applicator Assembly

Item	Part No.	Quantity	Description
1	908163	1	Bulkhead, 1/4 in. FPT Brass
3	907625	11	Nut, Hex Lock Flange, 5/16-18 Black Zinc
11	903851	10	Bolt, Hex, 1/4-20 x 2 in. Gr 5
12	902859	21	Bolt, Hex, 5/16-18 x 1 in. Gr 5
13	900503	10	Washer, Lock, 5/16 in.
14	900502	10	Washer Lock, 1/4 in.
15	900494	21	Washer, Flat, 5/16 in.
16	42.0901080	1	Hood, Inoculant Nozzles
17	42.0901079	1	Pipe, Inoculant Spray Boom
18	42.0901077	5	Cover Plate, Offset Weldment
19	42.0901072	5	Clamp, Single, 1.05 in. Poly 2Pc
20	42.0901049	1	Strip, Hood Skirting
24	42.0802301	1	Strip, Neoprene
26	07.20005	15 Ft.	Tubing, Clear Vinyl, .375 I.D. (Order Per Foot)
31	07.17213	1	Coupling, 3/4 in. FPT x 3/4 in. FPT
34	07.13400	14 Ft.	Tubing Eva Reinf, .375 in. With Nylon (Order Per Foot)
35	07.13368	1	Tee, Hose Barb, 3/8 in. Polypro
37	07.11770	1	Gauge, 100# 2.5 in. Liquid Stainless Steel
38	07.11695	5	Clamp, .375 in.- .875 in. Hose
41	07.10366	1	Hex Plug, 1/4 in. MPT
42	07.10353	1	Straight, 3/4 in. PT x 3/8 in. Hose Barb Nylon
43	07.10341	1	Straight, 1/4 in. PT x 3/8 in. Hose Barb Nylon
44	07.10310	1	Slip- On, 1/4 in. FPT x 3/8 in. Hose Barb Nylon
46	07.10263	1	Cap, Hose, 3/4 in. FPT Polypro
47	07.08918	4	Nozzle Body, 3/4 in. DBL Hose Barb With Stud
48	07.08287	4	Tip, With Cap/ Gasket

# 7.22 Asm: Feedtable Bumper



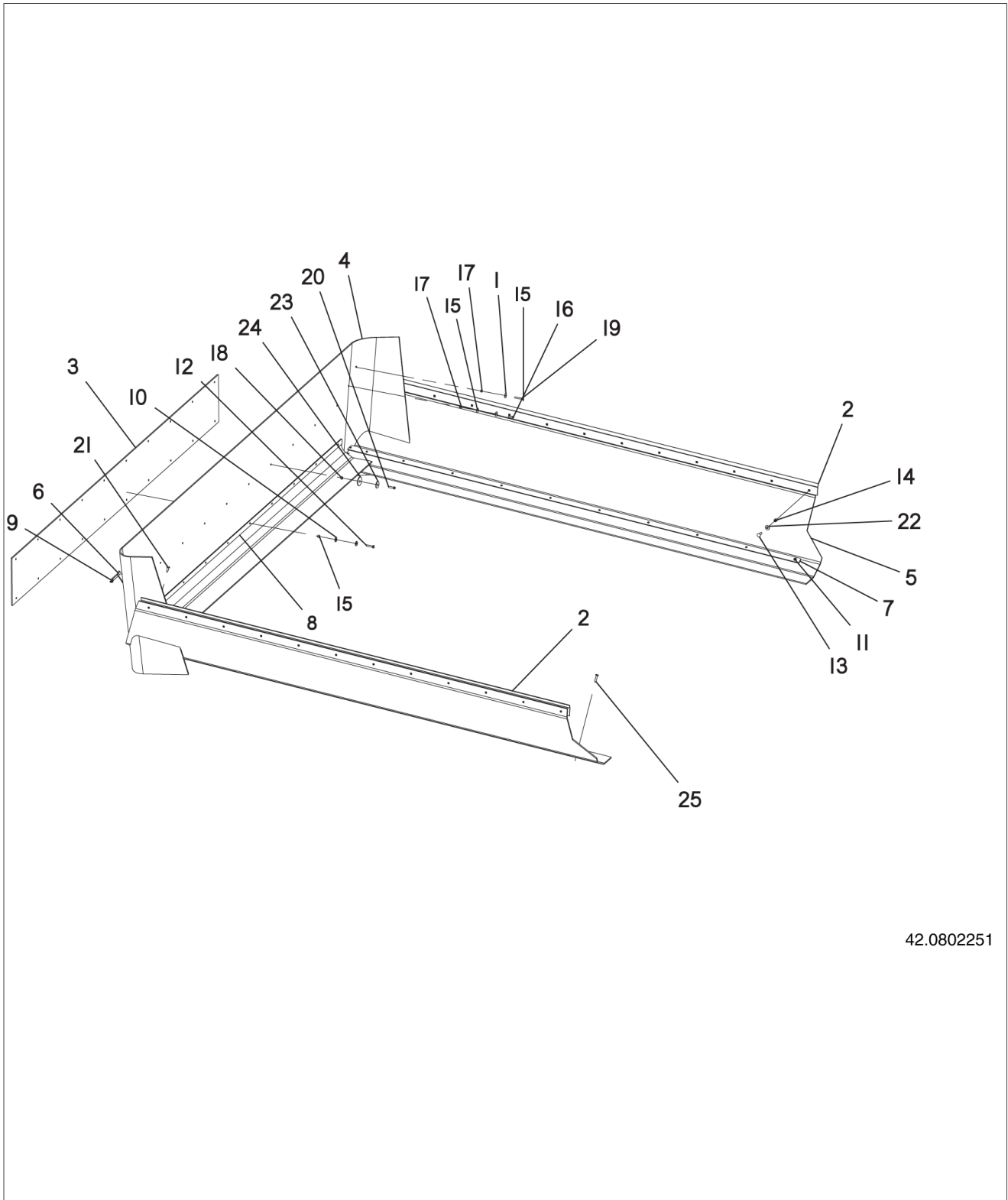
42.0802250



## 7.22 Asm: Feedtable Bumper

Item	Part No.	Quantity	Description
1	42.0800339	1	Bumper, Feedtable
2	900366	8	Hhdnut - 3/8-16
3	900495	20	Washer: Flat 3/8 In. Std
4	901937	8	Washer, 1/2 Flat
5	902920	10	Hhdbl - G5 5/16 x 1-1/2
6	903306	8	Hhblt G 5 1/2-13 x 1.50
7	904814	8	Washer - Flat 5/8 in. Ht
8	906402	4	Hhdnut, 5/8-11 Nylock
9	906483	10	Hhdnut, 5/16-18 Nylock
10	907488	4	Hhdbl, Gr 8, 5/8-11 x 2
11	907594	8	Flatwasher, 1/2 Hardened

### 7.23 Asm: Feedtable Skirt

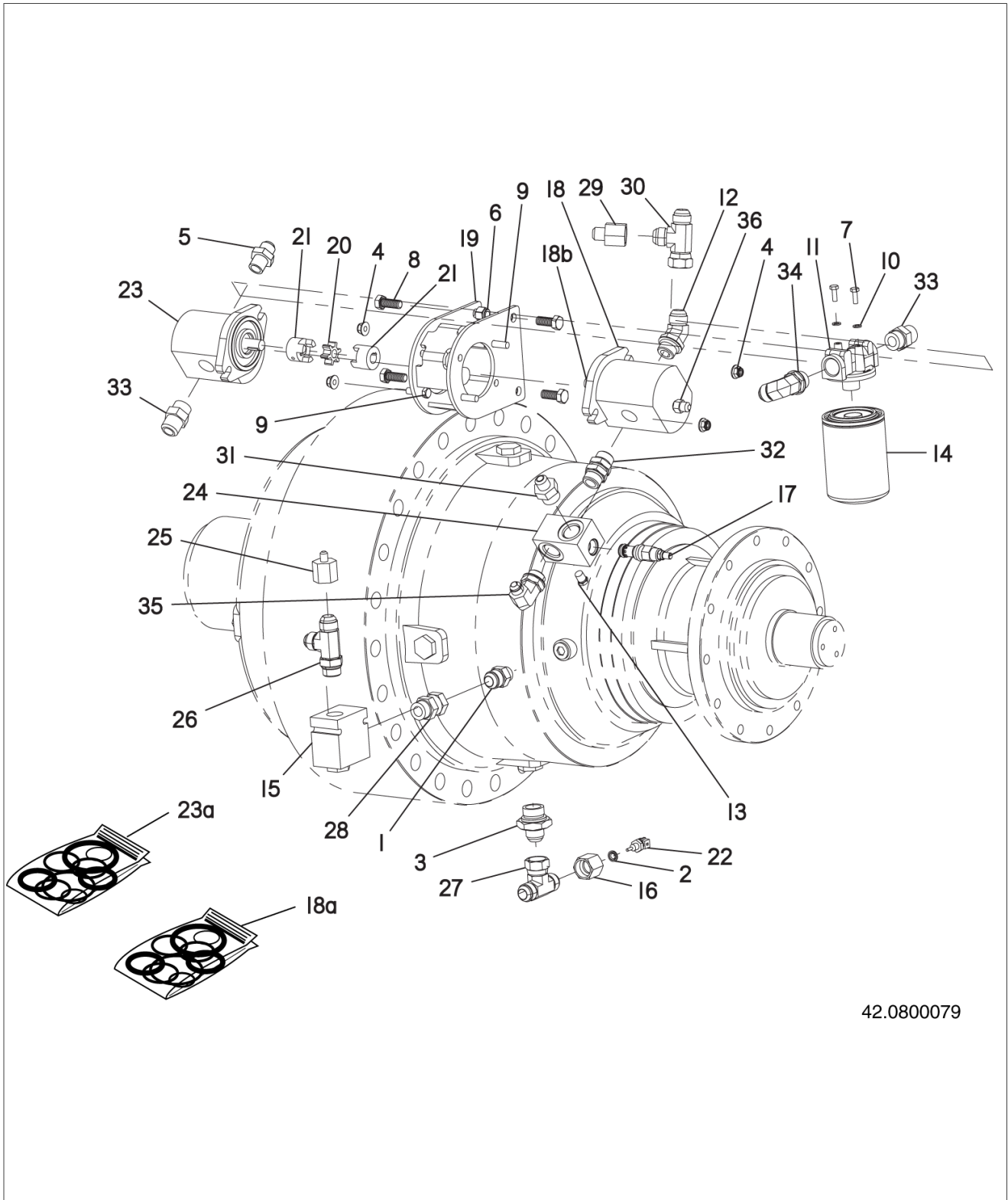


42.0802251

## 7.23 Asm: Feedtable Skirt

Item	Part No.	Quantity	Description
1	32.04256	6	Washer - Flat 1/4 x 1 x .05 Stainless Steel
2	42.0800327	2	Plate, Belt Backup
3	42.0800373	1	UHMW, Skirt Support
4	42.0800385	1	Belt, Skirting Front
5	42.0800392	2	Belt, Skirting Side
6	42.1080004	2	Bracket, Skirting Small
7	42.1080054	2	Strip, Feedtable Skirting Side
8	42.1080206	1	Strip, Feedtable Skirting Front - 10 Ft
9	42.1120007	2	Bungee - 10 Rubber
10	900495	21	Washer: Flat 3/8 In. Std
11	900503	22	Washer - Lock 5/16 in.
12	902920	10	Hhdblnt - G5 5/16 x 1-1/2
13	903693	24	Carblt - 3/8-16 x 1 1/4 in.
14	906400	24	Nut: Hex Nylon Lk 3/8-16
15	906483	10	Hhdnut, 5/16-18 Nylock
16	907322	2	Bolt: Hhd Stainless Steel 1/4-20 x 1
17	907389	4	Nut: Hex Stainless Steel Nylok 1/4-20
18	907390	10	Hhdnut, 5/16-18 Stainless Steel Nylock
19	907455	2	Hhdblnt, 1/4-20 x 1-3/4 Stainless Steel
20	907457	10	Hhdblnt - Stainless Steel 5/16-18 x 1-1/4 in.
21	907462	4	Hhd Screw, 5/16-18 x 1 Stainless Steel Tc
22	907465	24	Washer - Stainless Steel Flat 3/8 Wide
23	907533	10	Flatwasher, 3/8 Wide Heavy Stainless Steel
24	907626	10	Flatwasher, 3/8 x 2 Od Stainless Steel
25	908156	22	Hhd Screw, 5/16-18 x 1-1/2 Stainless Steel Tc

# 8.01 Planetary Cooling Pump Assembly

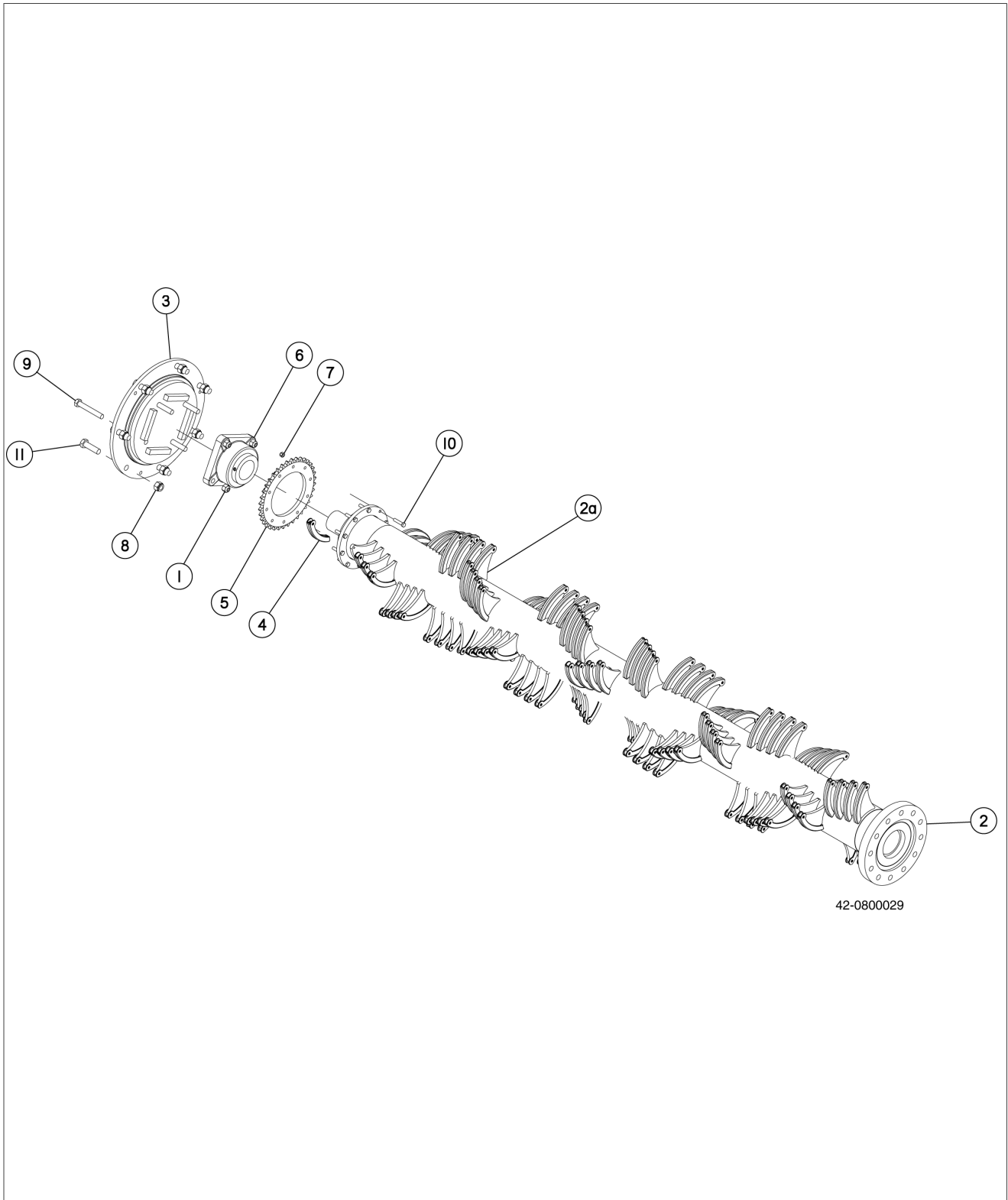


42.0800079

## 8.01 Planetary Cooling Pump Assembly

Item	Part No.	Quantity	Description
1	908133	1	Connector - 1/2bspp x -12mjic
2	908132	1	O-Ring - M10 x 1 W/retainer
3	908092	1	Adapter, -12 Mjic x -16 Bspp
4	907779	4	Hhdnut - Nylon Lk Flng 3/8-16 Yellow Zinc
5	40.00147	1	Connector: 37d Flare-ORB 7/8-14
6	906401	4	Hhdnut - Nylon Lk 1/2-13
7	904863	2	Hhdblt, 1/4-20 x 3/4 Gr 5
8	902928	4	Hhdblt - G5 1/2-13unc x 1-1/4 in.
9	902367	4	Hhdblt, Gr 5, 3/8-16 x 1-1/4
10	900502	2	Washer - Lock 1/4 in.
11	42.1541757	1	Base - Filter O-Ring
12	42.1540623	1	Elbow, 45° 12 Mjic x 12 ORB
13	42.1540405	1	Plug, Hex Head 1/4 Mp
14	42.1540167	1	Filter - Hydraulic P551553
15	42.0801302	1	Check Valve, 5 Psi
16	42.0800894	1	Cap, -12 Jic W/ 10mm Port
17	42.0800790	1	Valve, Relief Cartridge
18	42.0800733.5	1	Motor - Hyd 24cc Plntry Cooler
18a	42.0800800	1	Seal Kit for Item 18
18b	42.0801417	1	Key: Motor Shaft
19	42.0800517	1	Mount - Pump/motor
20	42.0800436	1	Coupler - Spider
21	42.0800435	2	Coupler - Jaw
22	42.0800272	1	Sensor, Temperature
23	42.0800250.5	1	Pump - Hyd Plntry Cooler
23a	42.0800799	1	Seal Kit for Item 23
24	32.60249	1	Valve, Relief Body
25	32.04386	1	Adapter, 3/4 F Jic To 1/4 M Jic
26	32.02641	1	Tee, -12 ORB Run x 3/4 Mjic
27	32.01957	1	Tee, 3/4 Swivel Outlet Jic
28	32.01956	1	Adapter, -12 ORB x 3/4 Jic Swivel
29	32.01948	1	Adapter, 3/4 F Jic To 1/2 M Jic
30	32.01945	1	Tee, 3/4 Swivel Run 37 Flare
31	32.01940	1	Adapter, -12 ORB x 1/2 M Jic
32	21.00349ZJ	1	Connctr, 12 Orb/12 ORB Str
33	09.74127	2	Adapter, -12 ORB x 3/4 M Jic
34	09.74125	1	Elbow, 90d 37° Flare 3/4
35	07.17943	1	Elbow, -12 ORB x -08 Mjic
36	07.17911	1	Adapter, -06 ORB x 3/8 M Jic

# 8.02 Rotor Assembly

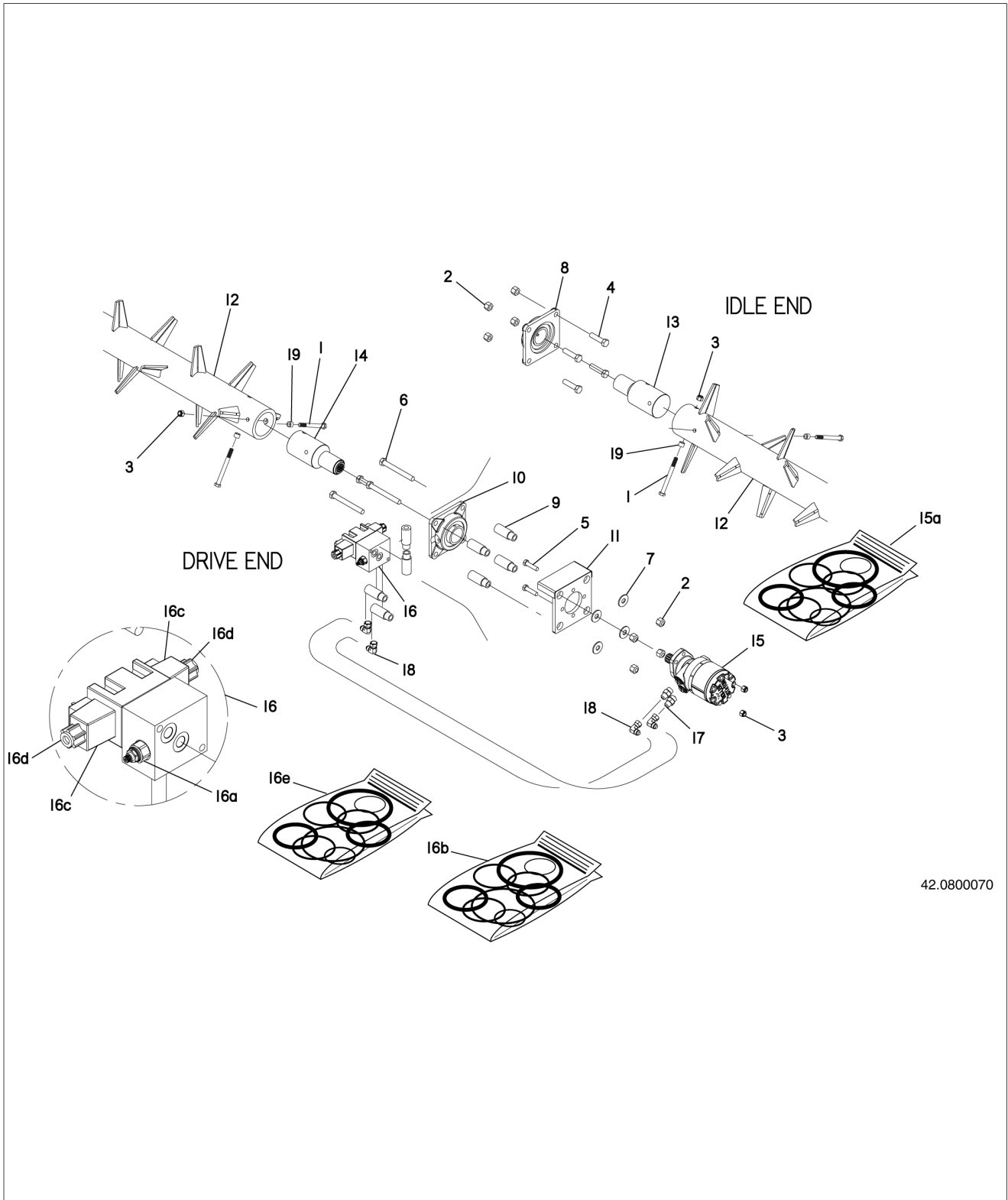


42-080029

## 8.02 Rotor Assembly

Item	Part No.	Quantity	Description
1	09.70771	4	Nut, Hex Lock, 7/8-9 Nylock
2	42.0801390	1	Rotor, Weldment, 141 in. With 128 Teeth
2a	42.1020049	AR	Rotor Tooth
3	42.0800835	1	Plate, Rotor Bearing Mount Weldment
4	42.0901179	128	Cap, Tine Weldable
5	42.1120496	1	Sprocket, Beater Bar Drive Rotor
6	42.1510210	1	Bearing, 3-15/16 in. 4 Bolt Flange
7	906401	10	Nut, Hex Lock, 1/2-13 Nylock
8	907248	7	Nut, Hex Lock, 1-8 Nylock
9	907715	4	Bolt, Hex, 7/8-9 x 6 in. Yellow Zinc Gr 8
10	907804	10	Bolt, Hex, 1/2-13 x 2-1/4 in. Yellow Zinc Gr 8
11	907835	7	Bolt, Hex, 1-8 x 3-1/2 in. Yellow Zinc Gr 8

# 8.03 Upper Beater Bar Assembly



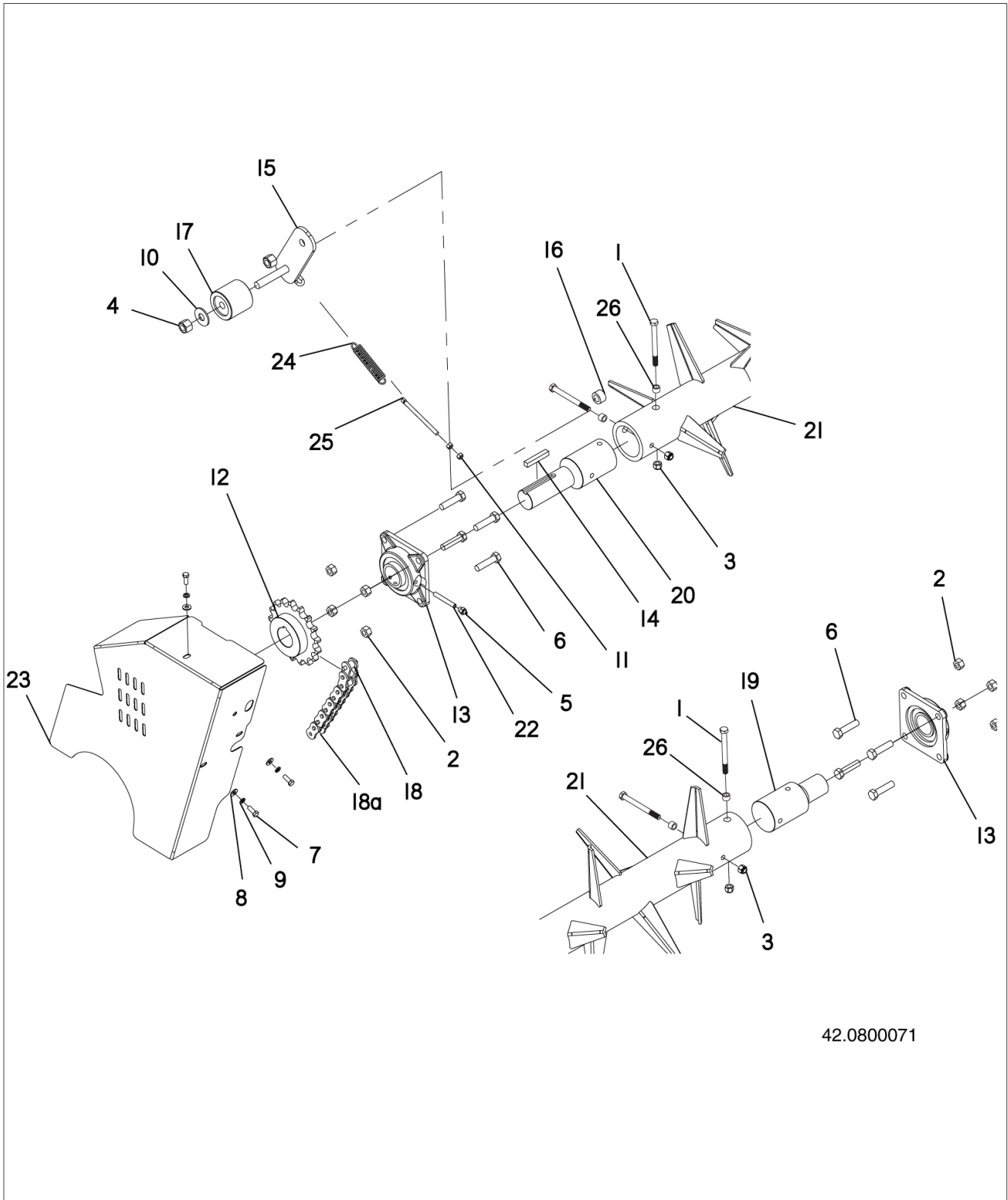
42.0800070



## 8.03 Upper Beater Bar Assembly

Item	Part No.	Quantity	Description
1	908625	4	Hhdbl, 1/2-13 x 5-1/4 Gr 8 YZ
2	906402	8	Hhdnut, 5/8-11 Nylock
3	906401	4	Hhdnut - Nylon Lk 1/2-13
4	903832	4	Hhdbl, Gr 5, 5/8-11 x 2-1/2
5	902050	2	Hhdbl, G5 1/2-13 x 2
6	901264	4	Hhdbl, 5/8-11 x 5-1/2 Gr 5
7	900498	4	Washer: Flat 5/8 In. Std
8	42.1510037.8	1	Bearing - 2-3/16 4-Bolt Flange
9	42.1120058	8	Spacer, Beater Bar Motor Mount
10	42.1020035	1	Bearing - 2-3/16 4-Bolt Flange
11	42.1020009	1	Mount, Beater Bar Hyd. Motor
12	42.0901232.5	1	Beater, Upper Wldmnt
13	42.0901229	1	Shaft, Stub Idle
14	42.0901073	1	Shaft - Splined Upper Beater
15	42.0800424.5	1	Hyd Motor - 32.7 Cu In
15a	42.1541901	1	Seal Kit - Hydraulic Motor
16	42.0800254	1	Valve, Hyd Beater
16a	42.0801284	1	Relief Valve, Beater
16b	42.0801285	1	Seal Kit - Relief Valve
16c	42.0801286	2	Coil, Beater Valve
16d	42.0801287	2	Coil Nut, Beater Valve
16e	42.0801288	1	Seal Kit - Beater Valve
17	32.02101	2	Adapter, -10 ORB x 1/2 M JIC
18	09.74149	4	Elbow, 90 1/2 in. JIC Swivel
19	42.0802291	4	Spacer: Tube

# 8.04 Lower Beater Bar Assembly

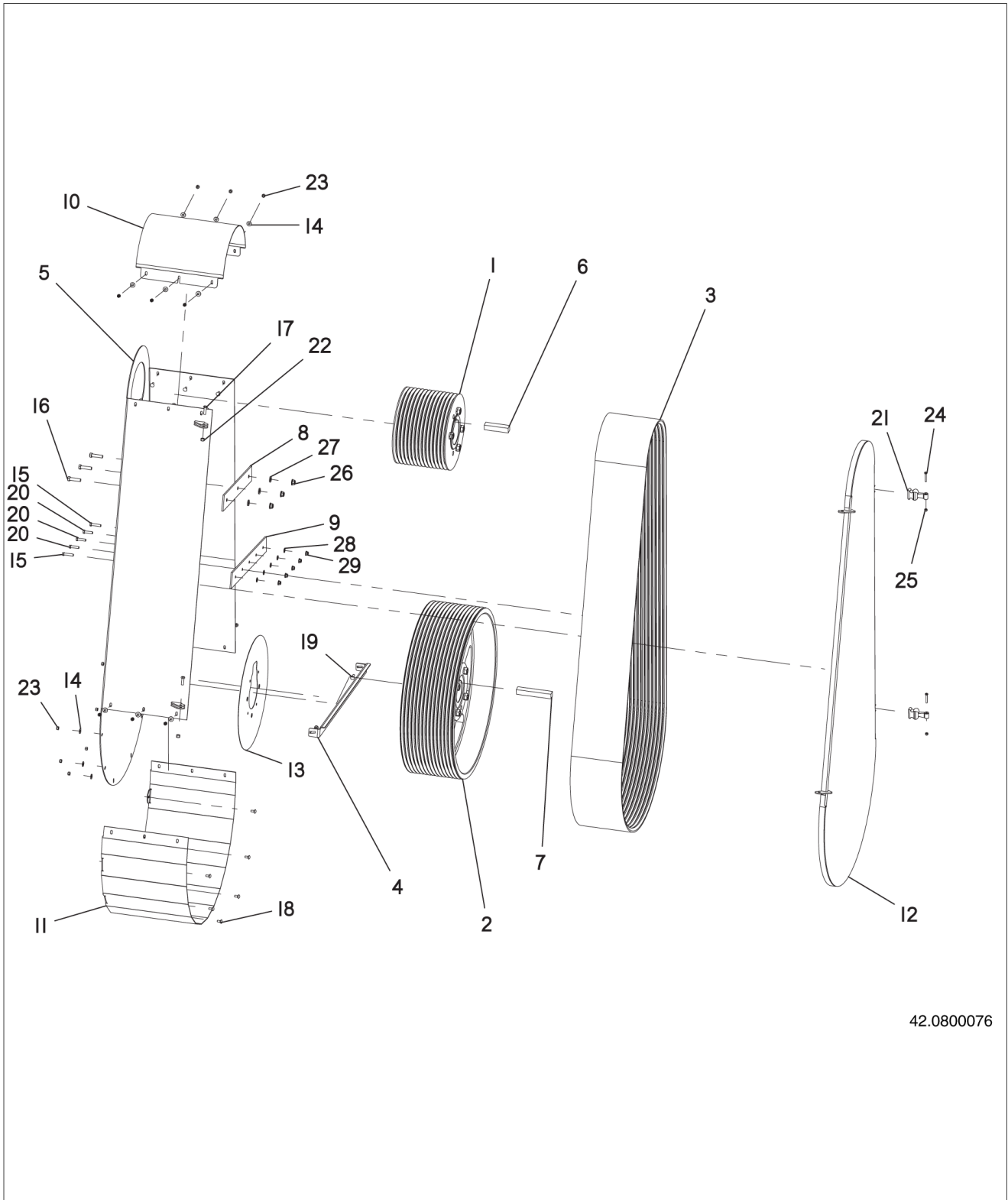


42.0800071

## 8.04 Lower Beater Bar Assembly

Item	Part No.	Quantity	Description
1	908625	4	Hhdbl, 1/2-13 x 5-1/4 Gr 8 YZ
2	906402	8	Nut, Hex Lock, 5/8-11 Nylock
3	906401	4	Nut, Hex Lock, 1/2-13 Nylock
4	906349	2	Nut, Hex Lock, 3/4-10 Nylock
5	905501	1	Grease Zerk, 1/8 in. NPT Female
6	903832	8	Bolt, Hex, 5/8-11 x 2-1/2 in. Gr 5
7	902300	3	Bolt, Hex, 3/8 x 1 in. Gr 5 Yellow Zinc
8	901105	3	Washer, Flat, 3/8 in. SAE
9	900504	3	Washer, Lock, 3/8 in.
10	900499	1	Washer, Flat, 3/8 in.
11	900366	2	Nut, Hex, 3/8-16
12	42.1520672	1	Sprocket, 100B17 2-3/16 in. 1/2 in. Key
13	42.1510037	2	Bearing, 2-3/16 in., 4 Bolt Flange
14	42.1120074	1	Keystock, Square, 1/2 in. x 3 in. Long
15	42.1020075	1	Bracket Weldment, Chain Tensioner Spring Loaded
16	42.1020072	1	Spacer, Beater Chain Tensioner Bracket
17	42.1020064	1	Tensioner, Beater Chain, 3-1/4 in. x 3 in. UHMW
18	42.0901357	1	Chain, Roller #100H Super RVT UST 60P
18a	42.1520342	1	Link, #100H Connector UST
19	42.0901229	1	Shaft, Stub Idle
20	42.0901227	1	Shaft, Stub Drive
21	42.0901223	1	Beater, Lower Weldment
22	42.0800945	1	Nipple, 1/8 in. x 3 in. Stainless Steel
23	42.0800943	1	Guard, Beater Bar Chain Roller
24	340077B1	1	Spring, Ext 1 x 4.50 in.
25	336977B1	1	Rod, 3/8 in. x 5.5 in. Belt Tensioner
26	42.0802291	4	Spacer: Tube

# 8.05 Rotor Belt Drive Assembly



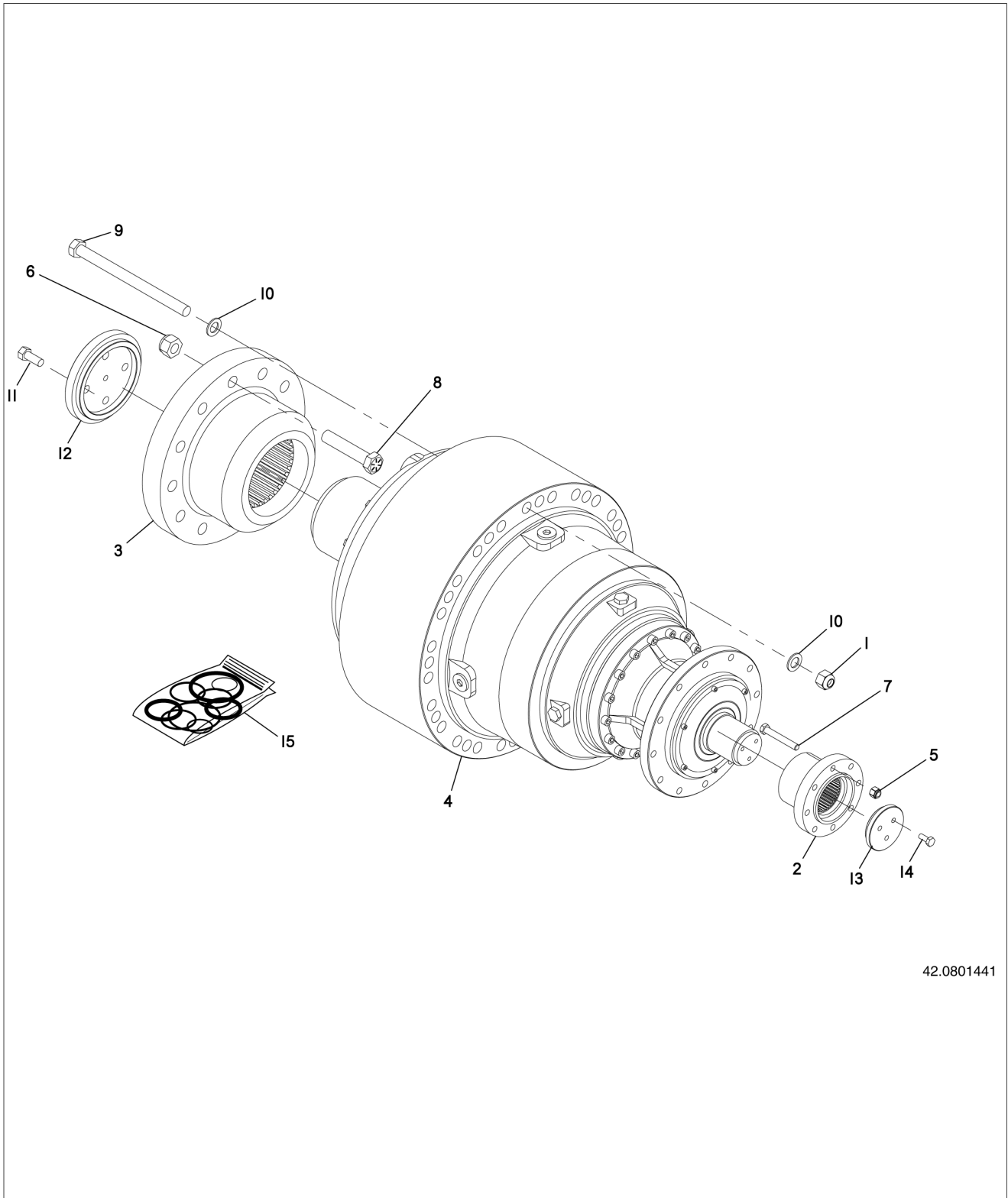
42.0800076

## 8.05 Rotor Belt Drive Assembly

Item	Part No.	Quantity	Description
1	42.0800019	1	Sheave, Drive 14-5v1400d W/ Bshg
2	42.0800020	1	Sheave, Drive 14-5v3150d W/ Bshg
3	42.0800213	1	Belt, 14 Rib Mvbl 14/5vf1850
4	42.0800704	1	Plate, Shield Stiffener
5	42.0800854	1	Base Wdmt - Belt Shield 11000
6	42.0800903	1	Key, 1 in. Sq x 4-1/2 C1095
7	42.0800904	1	Key, 1 in. Sq x 6-1/2 C1095
8	42.0802221.5	1	Plate: Belt Shield Panel Upper
9	42.0802222.5	1	Plate: Belt Shield Panel Lower
10	42.0901324.5	1	Base Sm Curve, Belt Shield 11000
11	42.0901325	1	Base Lg Curve, Belt Shield 11000
12	42.0901326	1	Cover Wdmt - Belt Shield 11000
13	42.0901332	1	Guide Panel - Belt Shield 11000
14	900494	18	Washer, 5/16 Flat
15	901296	2	Hhdbl - 3/8-16 x 1-3/4 G5
16	902050	3	Hhdbl, G5 1/2-13 x 2
17	902367	2	Hhdbl, Gr 5, 3/8-16 x 1-1/4
18	903689	16	Carbolt, G5 5/16-18 x 3/4
19	903690	2	Carblt G5 5/16-18 x 1 in.
20	903848	3	Hhdbl - 3/8-16 x 1-1/2
21	904520	2	Hook-Cover (rubber)
22	906400	2	Nut: Hex Nylon Lk 3/8-16
23	906483	18	Hhdnut, 5/16-18 Nylock
24	907060	2	Hhdbl - G5 1/4-20 x 1-3/4
25	907389	2	Nut: Hex Stainless Steel Nylok 1/4-20
26	907399	3	Hhdnut - Nylon Lk 1/2-13 Flange
27	907594	3	Flatwasher, 1/2 Hardened
28	907600	5	Flatwasher, 3/8 Hardened
29	907779	5	Hhdnut - Nylon Lk Flng 3/8-16 Yellow Zinc

Section 8

# 8.06 Asm: Planetary GB 16002



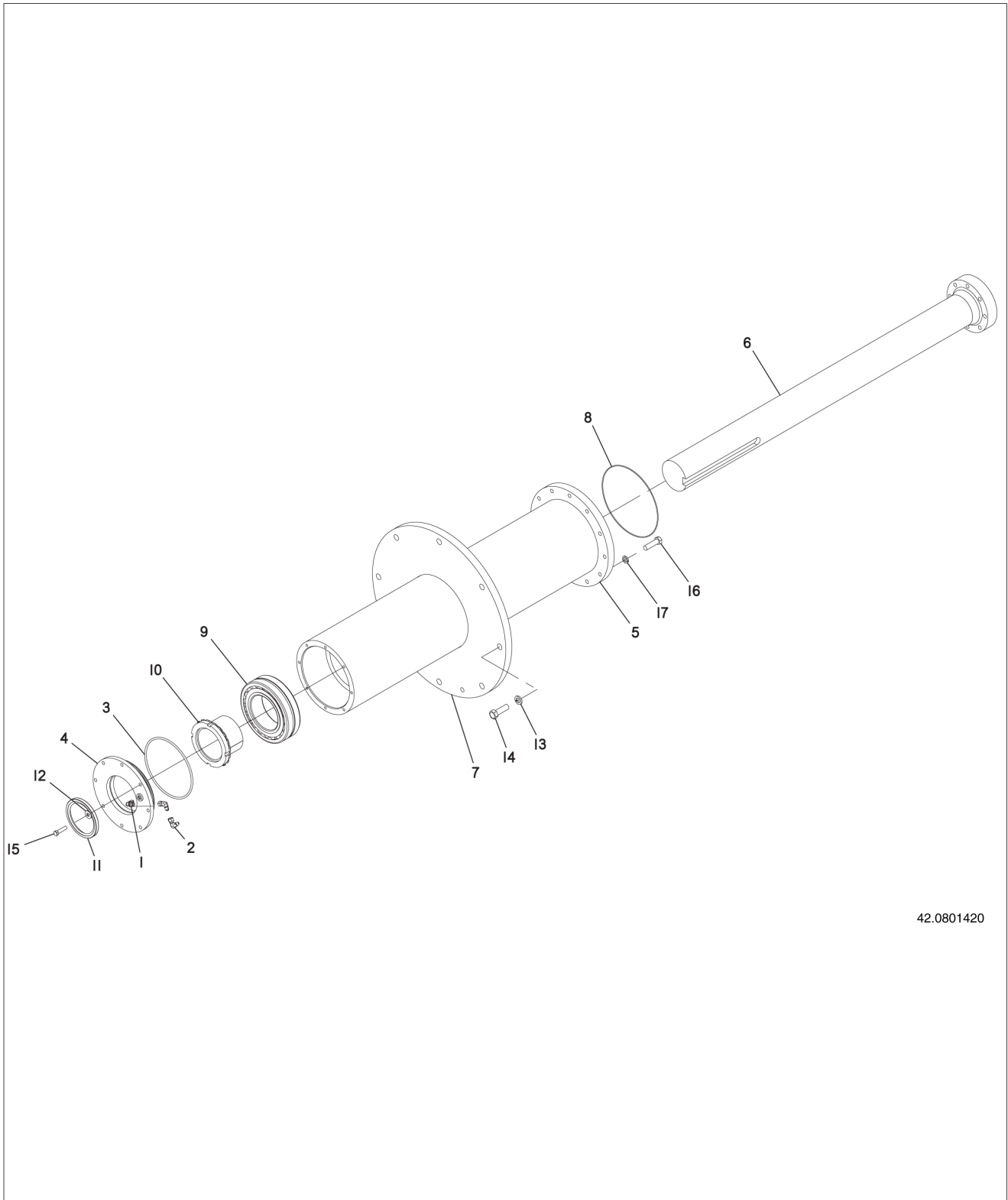
42.0801441

## 8.06 Asm: Planetary GB 16002

Item	Part No.	Quantity	Description
1	908654	24	Nut: Hex Gr 8 Toplock 7/8-9
2	42.0800519	1	Billet, Planetary Input Gb13000
3	42.0800520	1	Billet- Planetary Output Gb13000
4	42.0801425	1	Planetary, Gb16002 16.9:1
5	906401	8	Hhdnut - Nylon Lk 1/2-13
6	907248	12	Hhdnut, 1-8 Nylock
7	907733	8	Hhdblt, Gr8 1/2-20 x 3-1/2
8	907965	12	Hhdblt, Gr 8 1-8 x 5 Yellow Zinc
9	908507	24	Hhdblt, Gr 8, 7/8-9 x 12 Yellow Zinc
10	908521	48	Washer: Flat M22 Yellow Zinc
11	907693	4	Bolt: HHD G 8.8 M16 x 40mm
12	42.0800907	1	Output Retainer
13	42.0800908	1	Input Retainer
14	907850	3	Bolt: HHD G 10.9 M10-1.5 x 25mm
15	42.0801444	1	Seal Kit, Planetary

Section 8

# 8.07 Asm: Housing Planetary Drv Input (GB16002)



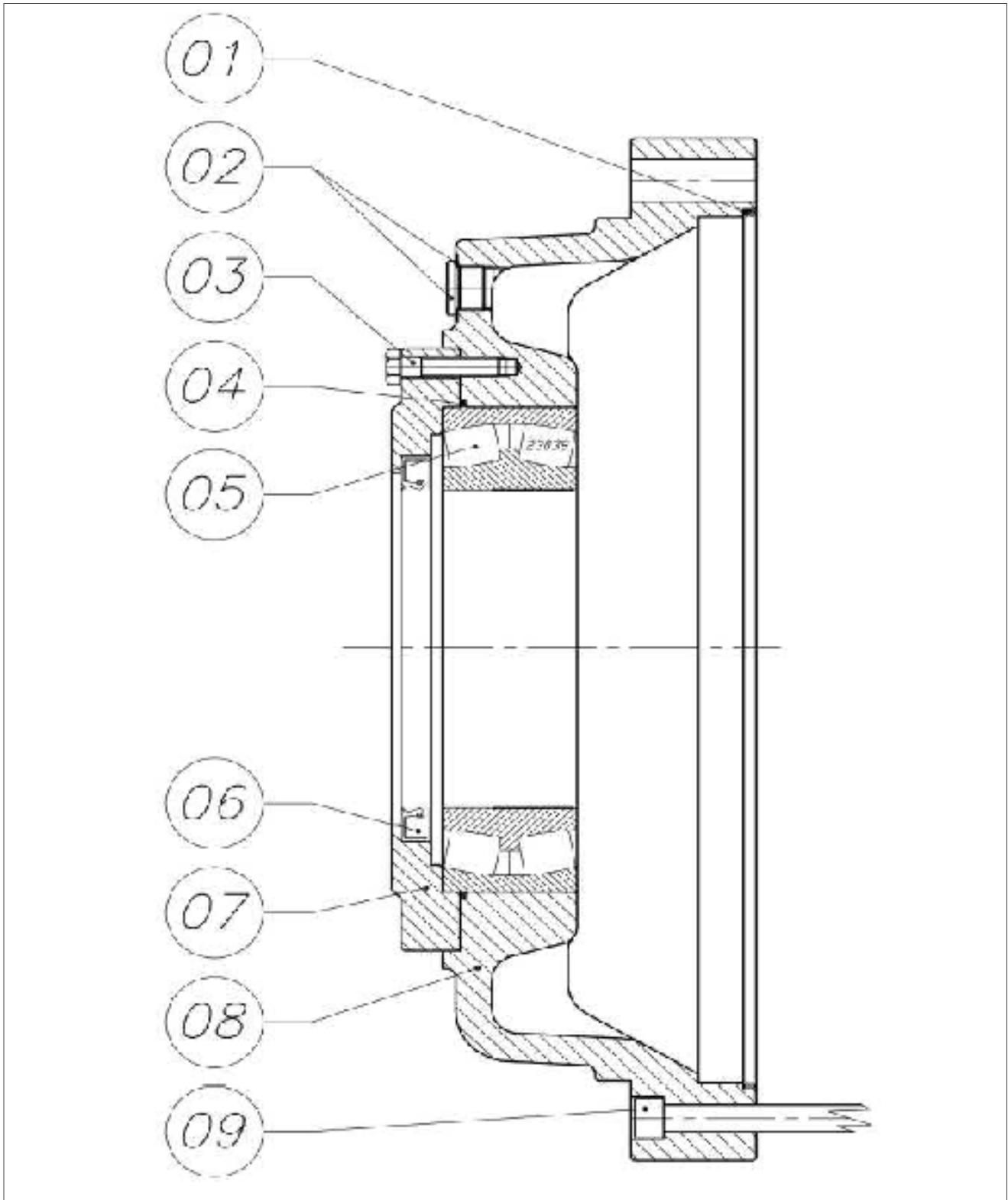
42.0801420



## 8.07 Asm: Housing Planetary Drv Input (GB16002)

Item	Part No.	Quantity	Description
1	07.17945	1	Elbow, -04 ORB x 1/4 MJIC
2	32.60792	2	Elbow, -04 MJIC x FJIC
3	42.0801107	1	O-Ring - Buna-N #367
4	42.0801299	1	Cap, Ported, Drive Shaft End
5	42.0801438	1	Housing: Planetary Drive Input 16002
6	42.0801440	1	Shaft: Plan Drv W/flange 16002
7	42.1202059	1	Plate, Drive Tube Mounting Flange 22 in.
8	42.1501891	1	O-Ring 0.093 x 9.055 Id Buna-N
9	42.1510205	1	Bearing- 3-15/16 in. Spherical
10	42.1510206	1	Insert- Bearing 3-15/16 in.
11	42.1510207	1	Oil Seal
12	900495	8	Washer: Flat 3/8 In. Std
13	900508	8	Lockwasher, 5/8 Yellow Zinc
14	907488	8	Hhdbl, Gr 8, 5/8-11 x 2
15	907830	8	Bolt: Hhd Gr8 3/8-16 x 1-1/2 Yellow Zinc
16	907966	12	Hhdbl, Gr 8, 9/16-12 x 2
17	907967	12	Lockwasher, 9/16 Yellow Zinc

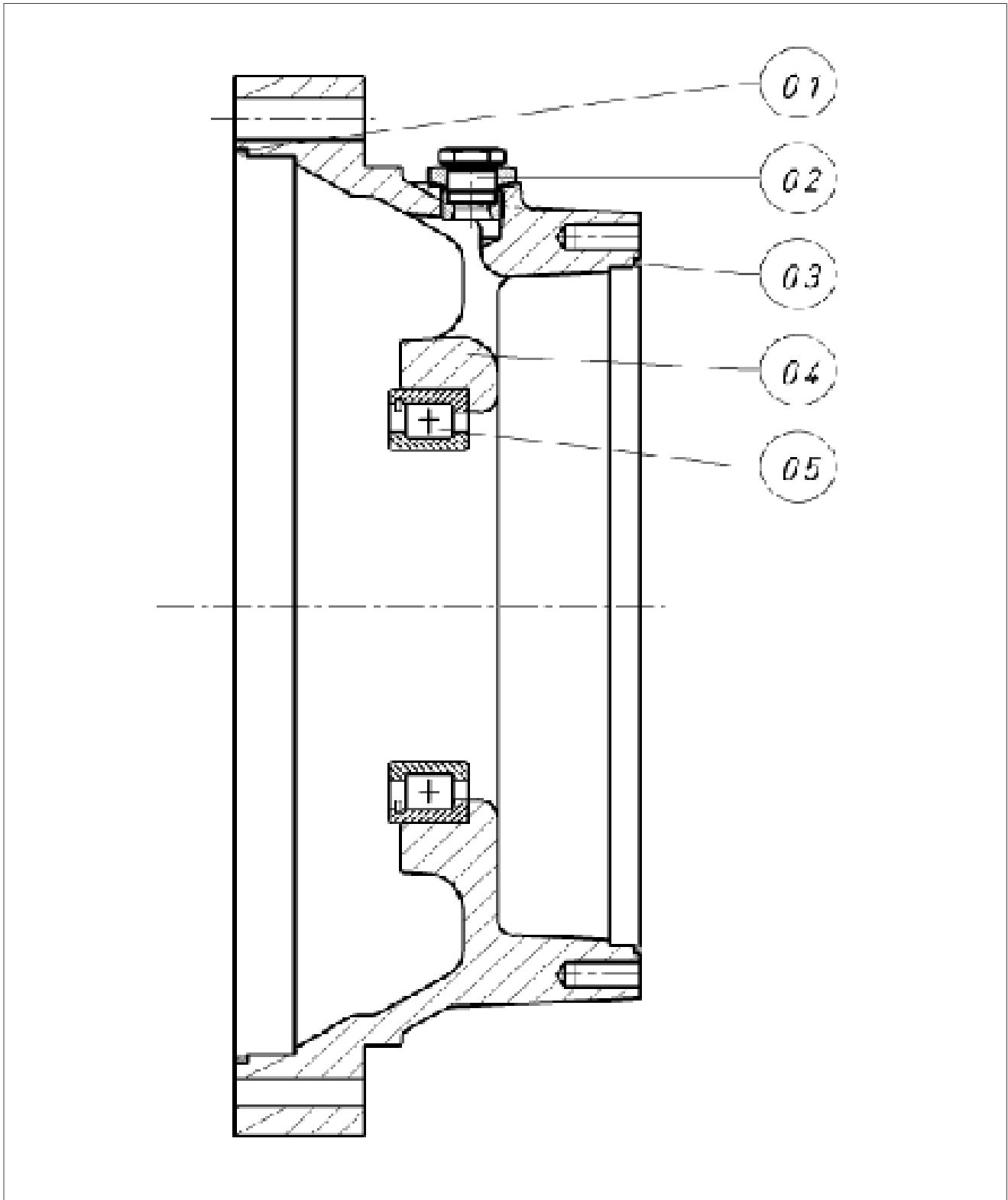
### 8.08 Output Support (GB16002)



## 8.08 Output Support (GB16002)

Item	Part No.	Quantity	Description
1	42.0801205	1	O Ring Seal
2	NSS	2	Plug
	42.0801206	2	Washer
3	NSS	12	Screw
4	42.0801203	1	O Ring Seal
5	42.0801202	1	Bearing
6	42.0801204	1	Ring Seal
7	NSS	1	Cover
8	NSS	1	Output Support
9	NSS	3	Screw
	42.0801426	1	Output Support Assembly (Consists of Items 2-8)

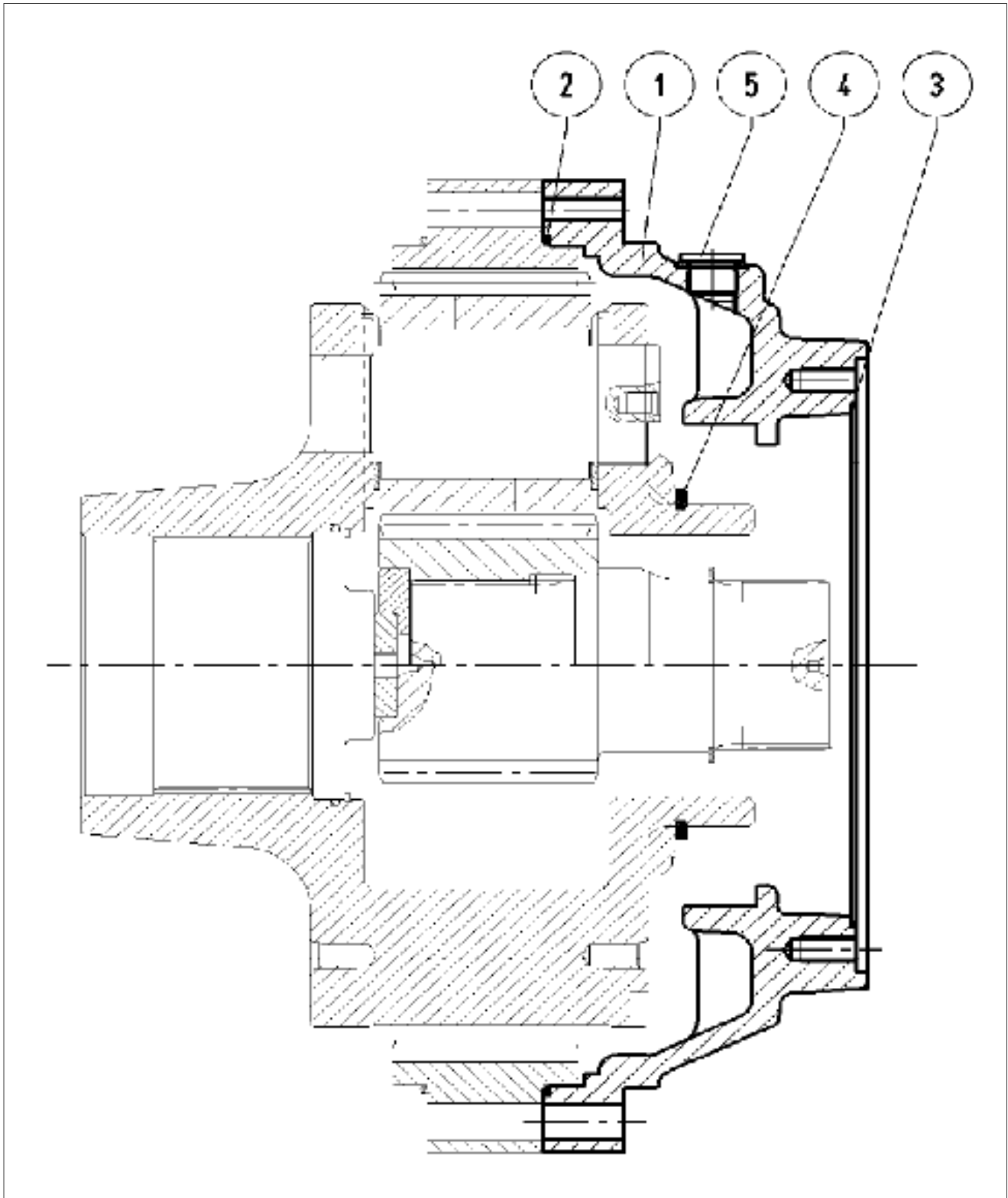
### 8.09 Intermediate Flange (GB16002)



## 8.09 Intermediate Flange (GB16002)

Item	Part No.	Quantity	Description
1	42.0801205	1	O Ring Seal
2	42.0801206	4	Washer
	NSS	4	Reduction Plug
	42.0801294	2	Plug
	NSS	1	Plug
	42.0801218	1	Breather
3	42.0801219	1	O Ring Seal
4	NSS	1	Intermediate Flange
5	42.0801220	1	Bearing

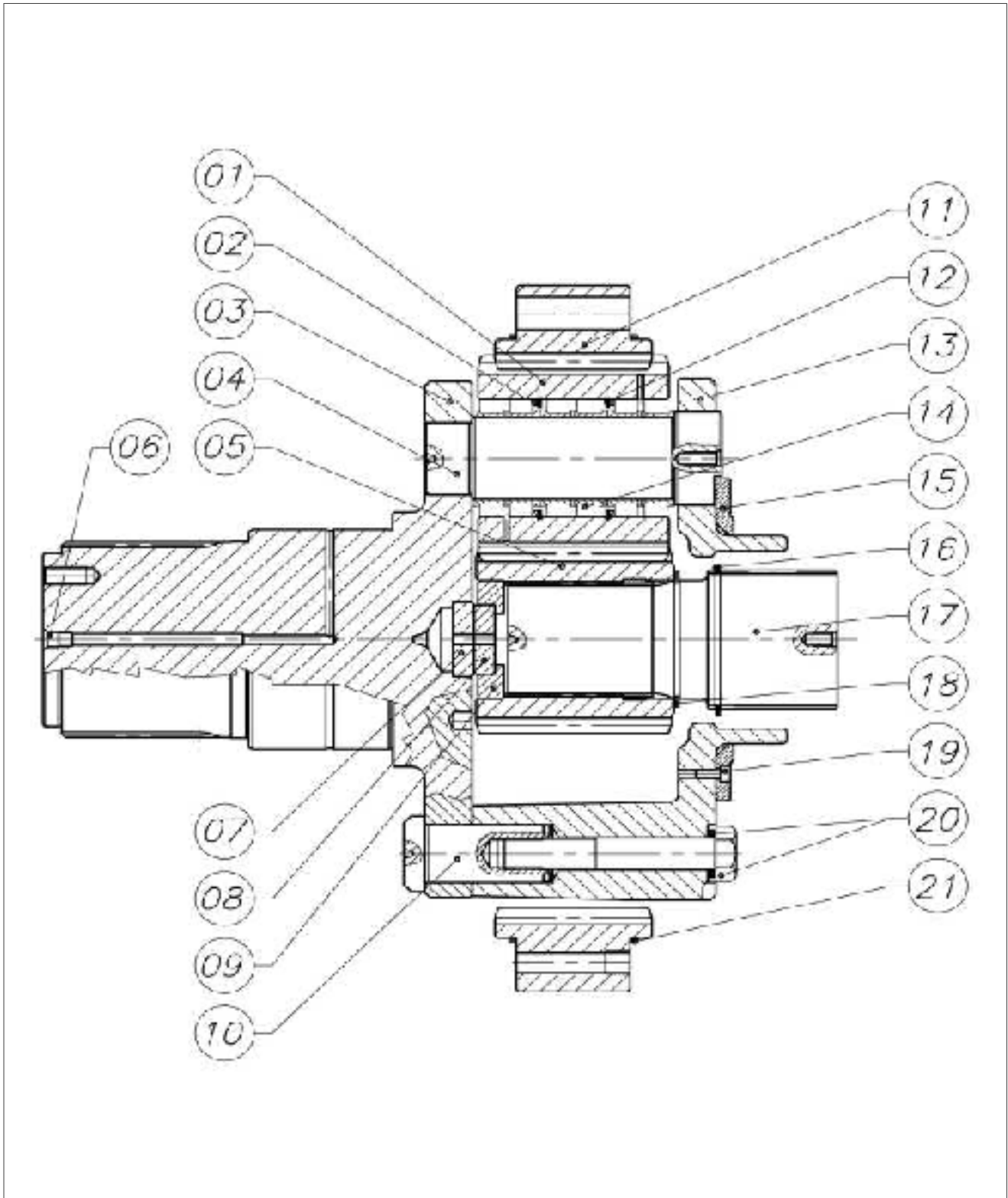
### 8.10 Intermediate Flange RE3510 (GB16002)



## 8.10 Intermediate Flange RE3510 (GB16002)

Item	Part No.	Quantity	Description
1	NSS	1	Intermediate Flang
2	42.0801219	1	O Ring Seal
3	42.0801232	1	O Ring Seal
4	NSS	1	Snap Ring
5	42.0801427	4	Plug
	NSS	4	Washer

### 8.11 Gear Set (GB16002)

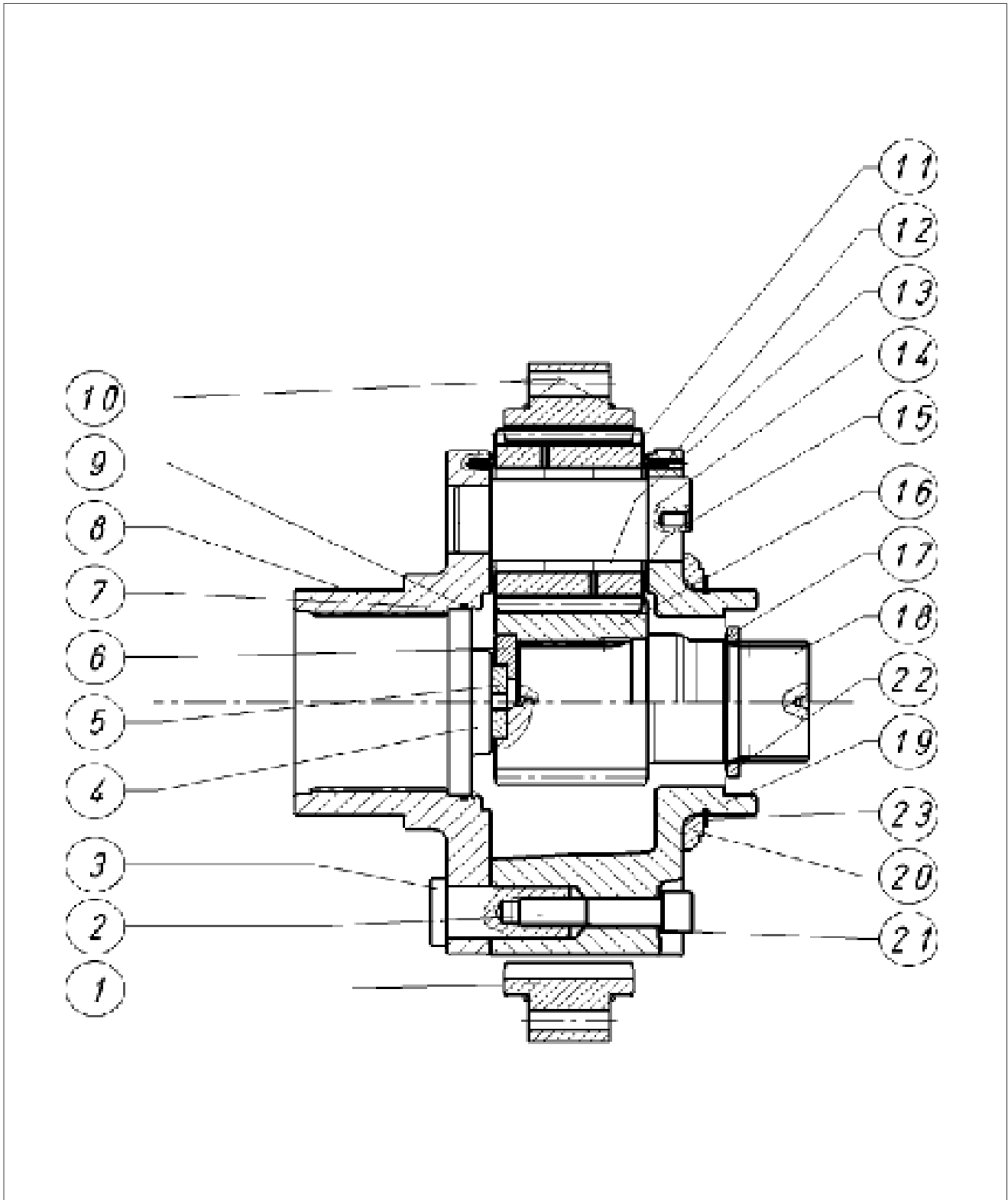




## 8.11 Gear Set (GB16002)

Item	Part No.	Quantity	Description
1	42.0801428	4	Planetary Gear
2	42.0801210	16	Shim
3	NSS	1	Planetary Carrier
4	42.0801429	4	Planetary Gear Pin
5	42.0801430	1	Sun Gear
6	NSS	1	Plug
7	NSS	1	Pad
8	NSS	1	Bronze Pad
9	NSS	1	Washer Spacer
10	42.0801213	4	Pin
11	42.0801431	1	Ring Gar
12	NSS	8	External Snap Ring
13	NSS	1	Planetary Carrier
14	42.0801212	12	Bearing
15	NSS	1	Antirotaion Ring
16	NSS	1	Ext Ernal Snap Ring
17	42.0801432	1	Sun Gear Coupling
18	NSS	1	Exernal Snap Ring
19	NSS	12	Screw
20	NSS	4	Screw
	NSS	4	Washer
21	42.0801205	2	O Ring Weal
	42.0801433	1	Planetary Assembly (Consists of Items 1-21)

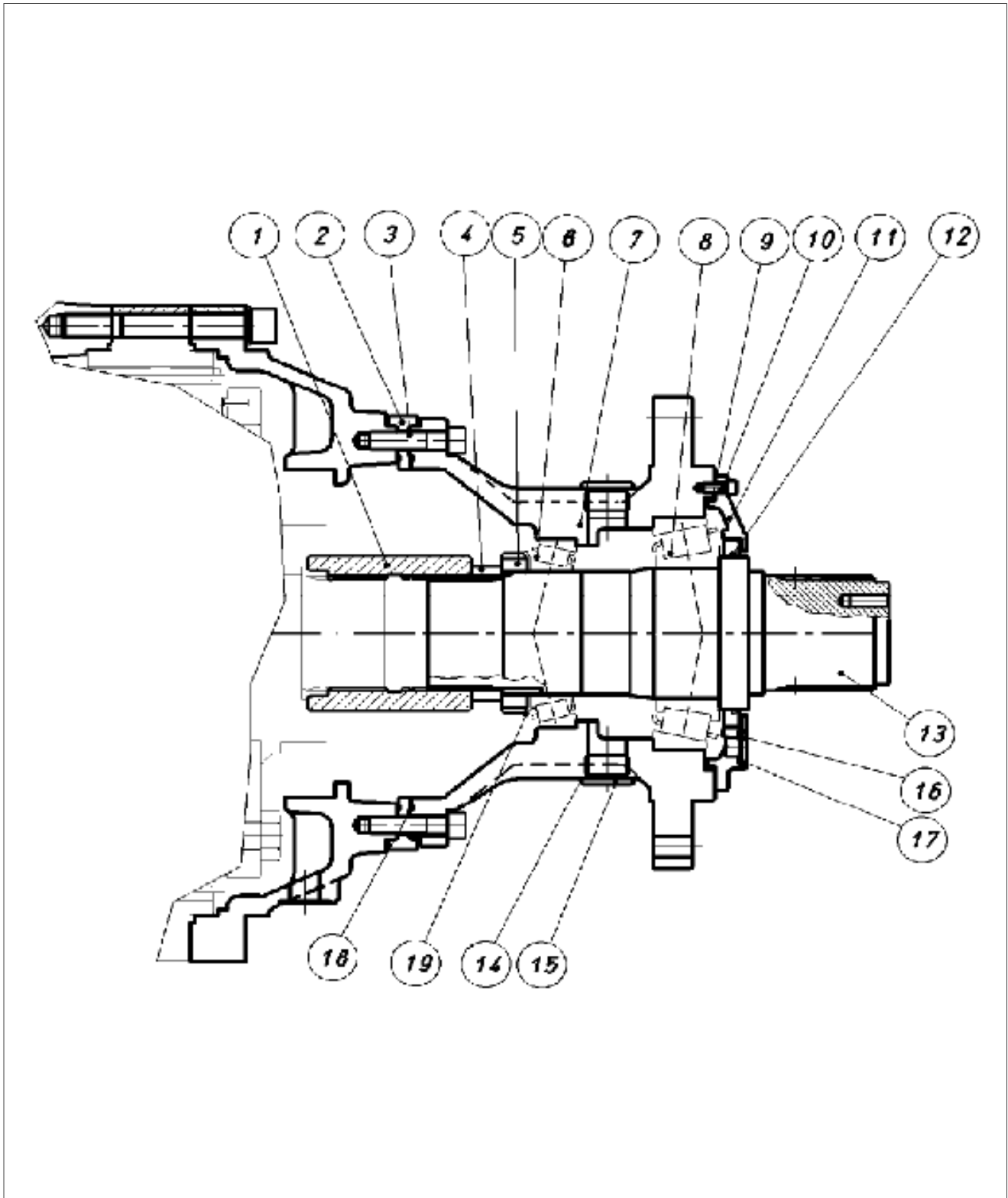
### 8.12 Gear Set RE3510 (GB16002)



## 8.12 Gear Set RE3510 (GB16002)

Item	Part No.	Quantity	Description
1	42.0801221	1	Ring Gear
2	NSS	3	Screw
3	NSS	3	Pin
4	NSS	1	End Plate
5	NSS	1	Pad
6	NSS	1	Pad
7	NSS	1	Snap Ring
8	NSS	1	Output Plan Carrier
9	42.0801222	1	O Ring Seal
10	42.0801219	2	O Ring Seal
11	42.0801224	3	Planetary Gear
12	42.0801225	6	Elastic Pin
13	42.0801226	216	Needle
14	42.0801227	3	Pin
15	42.0801228	6	Spacer
16	42.0801229	1	Sun Gear
17	NSS	1	Snap Ring
18	NSS	1	Coupling
19	NSS	1	Input Planetary Carrier
20	NSS	1	Ring
21	NSS	3	Washer
23	NSS	1	Snap Ring
	42.0801434	1	Planetary Assembly (Consists of Items 1-21)

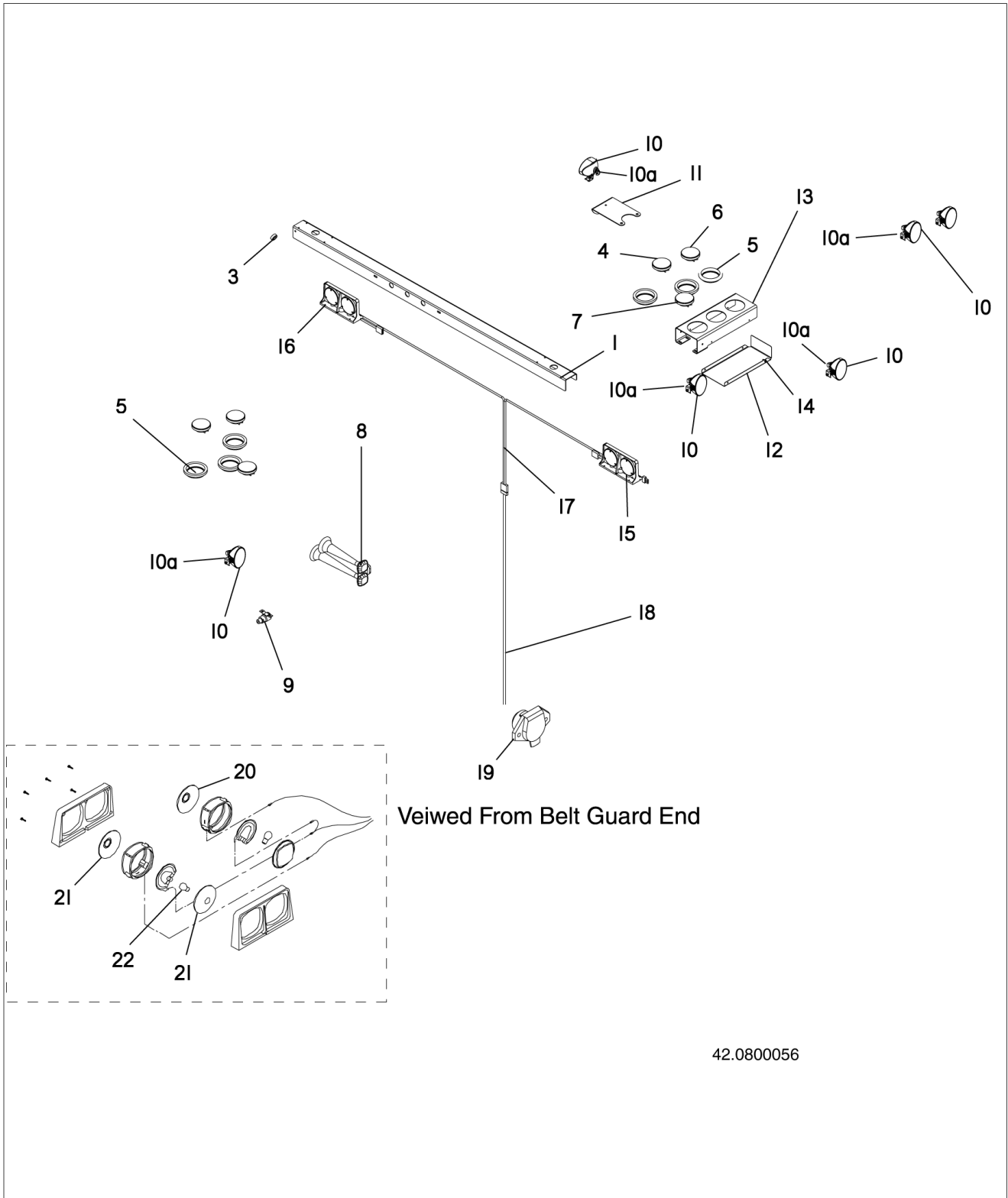
### 8.13 Input Support (GB16002)



## 8.13 Input Support (GB16002)

Item	Part No.	Quantity	Description
1	42.0801234	1	Coupling
2	NSS	1	Spacer
3	NSS	16	Screw
4	42.0801235	1	Bush
5	42.0801236	1	Ring Nut
6	42.0801237	1	Bearing
7	NSS	1	Housing
8	42.0801238	1	Bearing
9	42.0801239	1	O Ring Seal
10	NSS	6	Screw
11	NSS	1	Cover
12	42.0801240	1	Ring Seal
13	42.0801241	1	Shaft
14	NSS	4	Washer
15	NSS	4	Plug
16	NSS	1	Plug
17	NSS	1	Washer
18	42.0801435	1	O Ring Seal
19	NSS	1	Lucking Washer
	42.0801436	1	Input Support Assembly (Consists of Items 1, 3-19)

# 9.01 Lighting Assembly

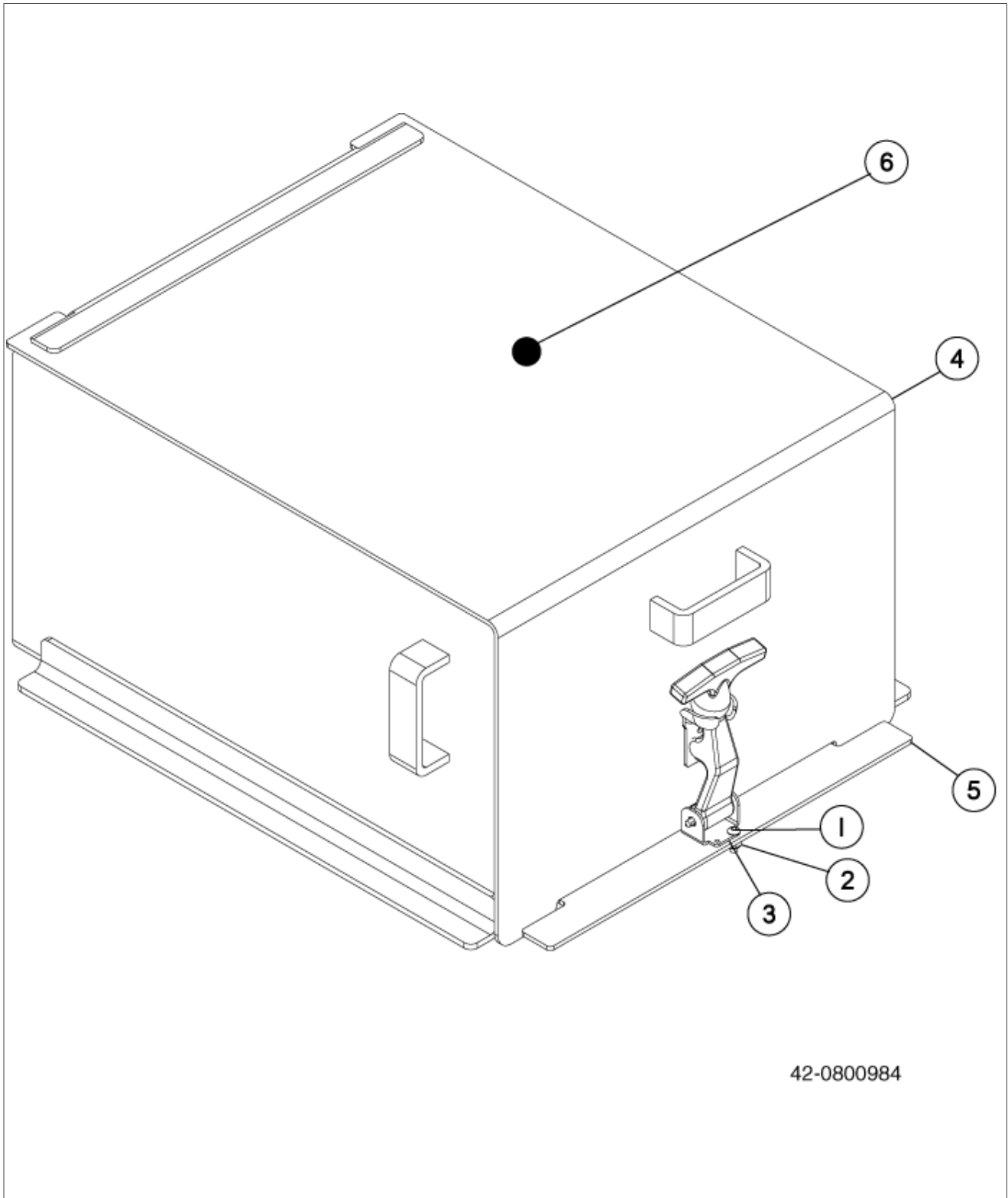


42.0800056

## 9.01 Lighting Assembly

Item	Part No.	Quantity	Description
1	42.0801013	1	Bracket, Tail Lights
3	21.22040	1	Bumper, Rubber Boom
4	42.0800603	2	Light, Tail 4 in. Yellow
5	42.1501077	6	Grommet, Tail Light
6	42.1501204	2	Light, Tail 4 in. Red
7	42.1501816	2	Light, Tail 4 in. Green
8	32.60388	1	Air Horn, Floater
9	42.1501508	1	Solenoid, Air Horn
10	21.24711	6	Light, Halogen Trap
10a	21.24850	6	Bulb - Halogen 886
11	42.0800618	1	Panel, Aux. Light Cab End
12	42.0801031	1	Cover, Cab End Signal Lights
13	42.0801030	1	Bracket, Cab End Signal Lights
14	907348	4	Screw, Hex, 1/4-20 x 3/4 in. Stainless Steel Thread Cutting
15	42.0900463	1	Light, Dual Lamp, Amber/Red Right Side
16	42.0900462	1	Light, Dual Lamp, Amber/Red Left Side
17	42.0900461	1	Harness, Lights, Wishbone
18	42.0900460	1	Harness, Lights
19	42.0801303	1	7-Way Round Light Connector
20	907311	2	Lens, Red (Wesbar)
21	907312	4	Lens, Amber (Wesbar)
22	21.20917	4	Bulb, #1157

## 9.02 Battery Box Assembly



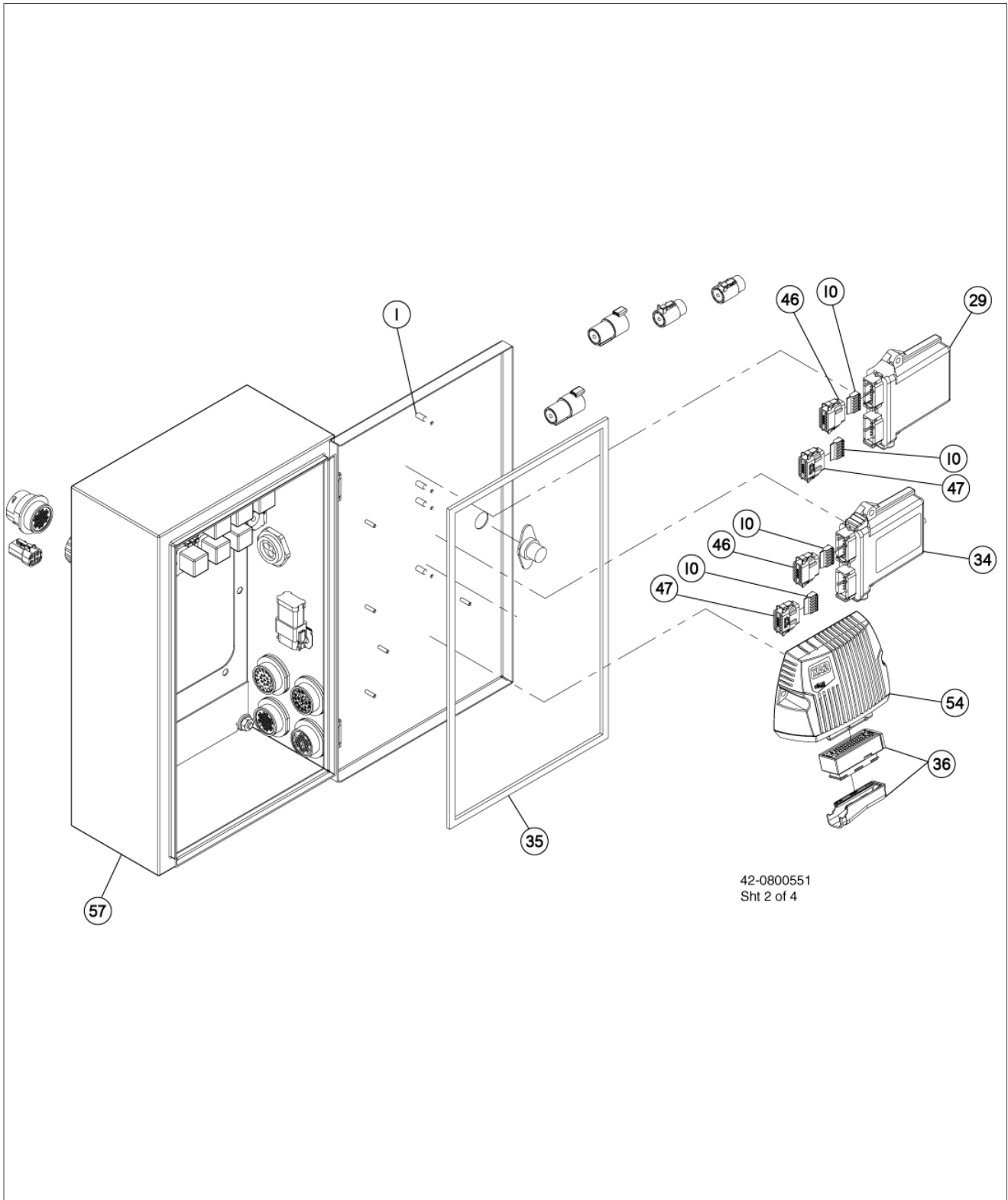
42-0800984



## 9.02 Battery Box Assembly

Item	Part No.	Quantity	Description
1	908160	5	Bolt, Button Hd, #10-24 x 5/8 in. Stainless Steel
2	907621	5	Nut, Hex Lock, #10-24 Nylock Stainless Steel
3	44.01812	1	Rubber Latch
4	42.0800989	1	Cover Weldment, Battery Box
5	42.0800985	1	Battery Box Weldment
6	32.60753	2	Battery, 925 CCA

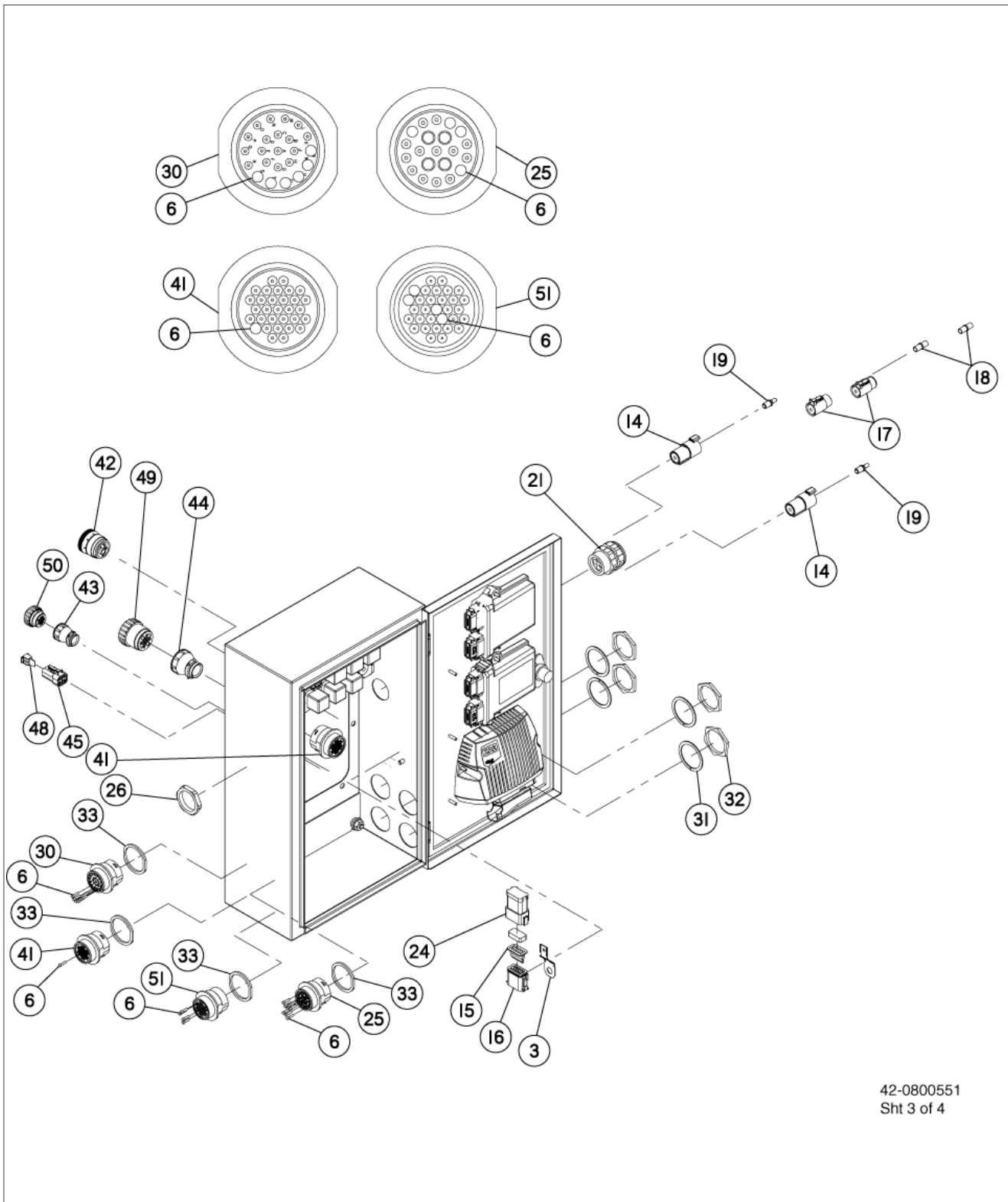
### 9.03 Junction Box - Door Panel Components



## 9.03 Junction Box - Door Panel Components

Item	Part No.	Quantity	Description
1	42.0801146	4	Standoff- Threaded
10	42.0801133	4	Lock, Deutsch
29	42.0800780	1	Clutch Controller
34	42.0801147	1	Module, Can-6
35	22.94160	5 Ft.	Gasket .25 in. x .50 in.
36	42.0801134	1	Connector Kit, XA2
46	42.0801131	2	Connector, 12 Pin Gray
47	42.0801132	2	Connector, 12 Pin Black
54	42.0800135	1	Module, XA2
57	42.0801145	1	Box, Junction

# 9.04 Junction Box - Side & Rear Connectors

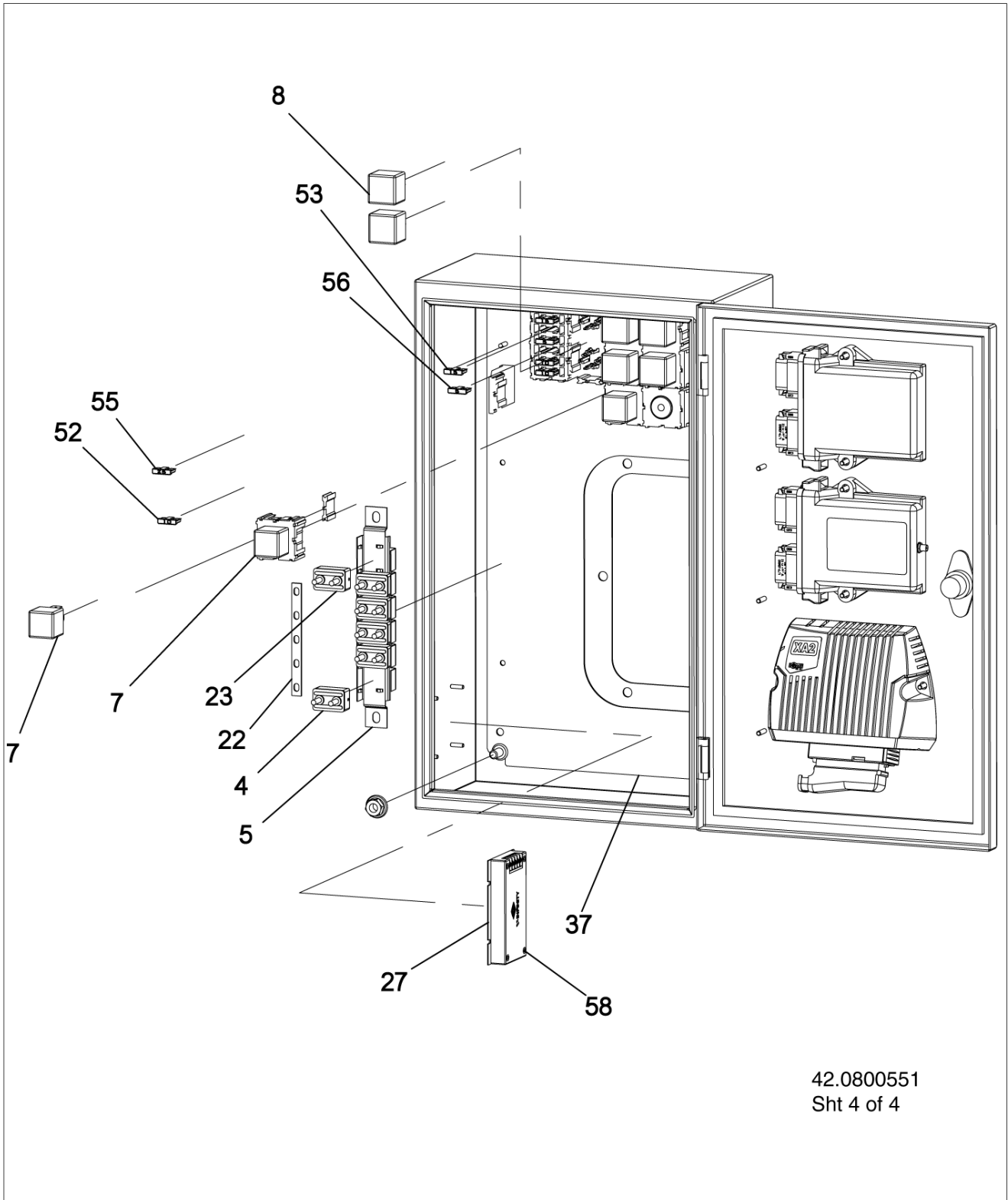


42-0800551  
Sht 3 of 4

## 9.04 Junction Box - Side & Rear Connectors

Item	Part No.	Quantity	Description
3	42.0801135	1	Clip, Mounting DT Connector .433 Hole
6	21.22579	19	Plug, Deutsch Cavity
14	42.0801129	2	Receptacle, Deutsch DTHD04-1-4P
15	21.22553	1	Lock, Deutsch 12 Socket Plug
16	21.22540	1	Plug, Deutsch 12 Socket
17	42.0801130	1	Plug, Deutsch DTHD06-1-4S
18	42.1501593	2	Actuator, Carl RKR Red Lens
19	42.1501568	2	Pin, Deutsch Connector Size 4
21	42.0801137	1	Cord Grip, 4 Hole
24	42.0801136	1	Receptacle, Deutsch DT04-12PA-P031
25	42.1501549	1	Connector, Deutsch HDP 24-24-21 Pin
26	42.0801138	1	Nut, Cord Grip
30	21.22725	1	Receptacle, Deutsch 23 Pin (Plastic)
31	21.20126	4	Washer, Lock, 1-11/16 in.
32	21.20127	4	Nut, 1-11/16 - 18
33	42.0801139	4	Gasket, Receptacle HDP24
41	21.00962	2	Receptacle, Deutsch, 31 Pin (Plastic)
42	42.0801123	1	Plug, Deutsch HD16-4-4S
43	42.0801141	1	Strain Relief, Amp 16 Pos
44	42.0801140	1	Strain Relief, Amp 16 Comb
45	21.22536	1	Plug, Deutsch 6 Socket
48	21.22549	1	Lock, Deutsch, 6 Socket Plug
49	21.00981	1	Connector, 16 Pin Female, Comb Amp
50	21.00976	1	Connector, 16 Pin Female Amp
51	42.0801124	1	Receptacle, Deutsch HDP24-24-31SN

### 9.05 Junction Box - Inside Rear Panel

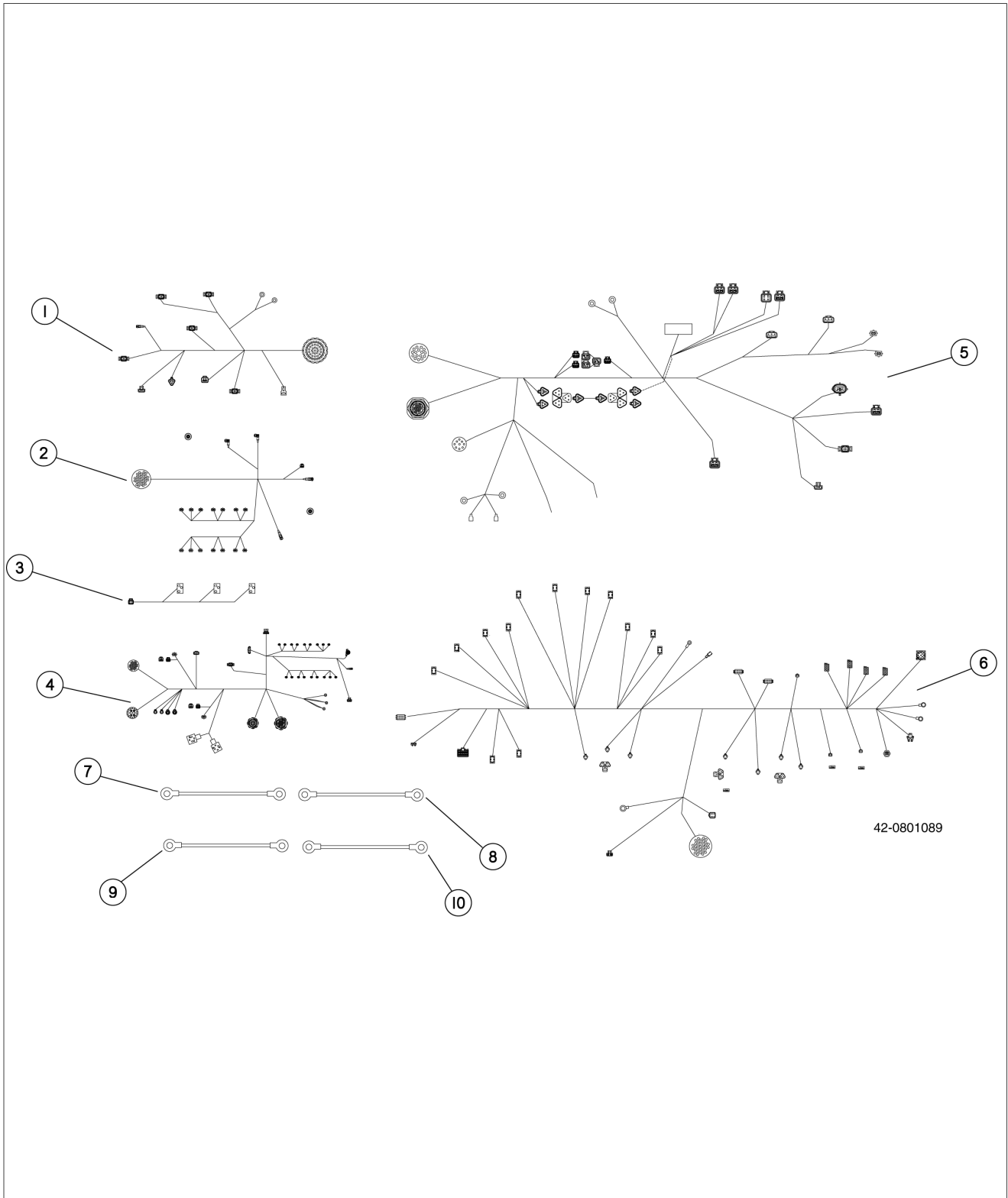


42.0800551  
Sht 4 of 4

## 9.05 Junction Box - Inside Rear Panel

Item	Part No.	Quantity	Description
4	44.03712	1	Circuit Breaker 50A
5	44.03716	1	Bracket, Circuit Breaker
7	42.0801150	3	Relay, 70A
8	42.0801149	6	Relay, 50A
22	44.03717	1	Buss Bar
23	42.0801152	5	Circuit Breaker 10A
27	42.0801151	1	Converter 12DC/ 24AC
37	42.0801148	1	Panel, Junction Box
52	07.06550	4	Fuse, 10A
53	07.17578	4	Fuse, 15A
55	907821	4	Fuse, 25A
56	908234	2	Fuse, 5A
58	908420	4	Screw, Flat Head Phillips M3 x 12mm

# 9.06 Harness Kit

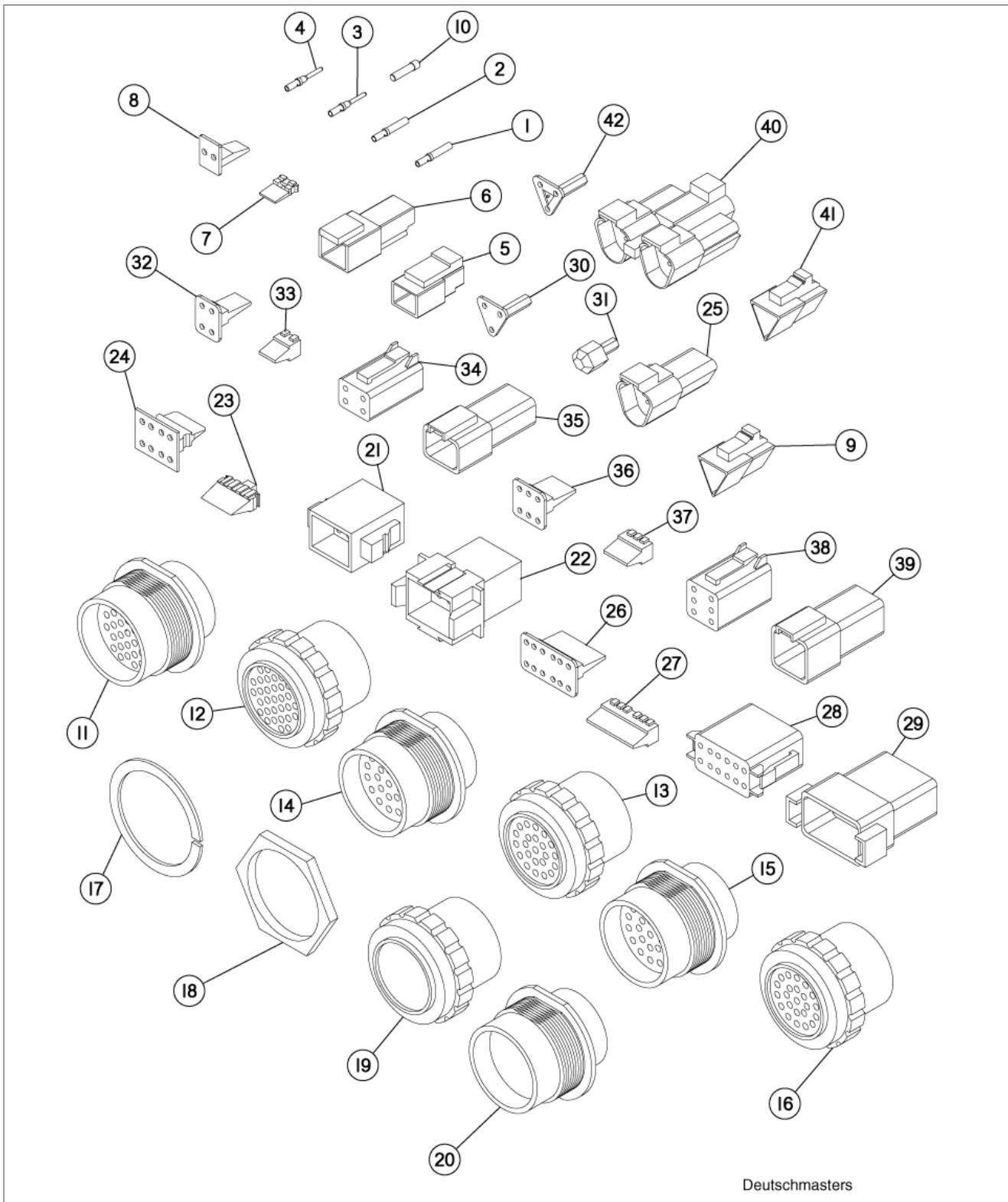




## 9.06 Harness Kit

Item	Part No.	Quantity	Description
1	42.0800558	1	Harness, Cab End Lights
2	42.0800559	1	Harness, Cab End Valve
3	42.0800562	2	Harness, Signal Lights
4	42.0800563	1	Harness, Main Chassis
5	42.0800564	1	Harness, Engine Skid
6	42.0800565	1	Harness, Arm Rest
7	42.0801116	1	Harness, Starter To Engine
8	32.60764	1	Harness, Engine To Ground
9	32.60769	1	Harness, Cab To Frame
10	32.60761	1	Harness, Starter To Alternator
11	42.0801161	1	Harness, HPTO Clutch (Not Shown)

# 9.07 Electrical Connectors



## 9.07 Electrical Connectors

Item	Part No.	Quantity	Description
1	21.01012	AR	Socket, Deutsch, 16/18 Ga
2	21.01013	AR	Socket, Deutsch, 14 Ga
3	21.01014	AR	Pin, Deutsch, 14 Ga
4	21.01015	AR	Pin, Deutsch, 16/18 Ga
5	21.22531	AR	Plug, Deutsch, 2-Socket
6	21.22532	AR	Receptacle, Deutsch, 2 Pin
7	21.22542	AR	Lock, Deutsch, 2 Pin Receptacle
8	21.22543	AR	Lock, Deutsch, 2 Socket Plug
9	21.01002	AR	Connector, Deutsch, 3 Socket
10	21.22579	AR	Plug, Deutsch Cavity
11	21.00962	AR	Receptacle, Deutsch, 31 Pin (Plastic)
12	21.00963	AR	Plug, Deutsch, 31 Socket (Plastic)
13	21.22682	AR	Connector, 23 Pos HD Deutsch Plug
14	21.22683	AR	Connector, 23 Pos HD Series, Deutsch Receptacle
15	21.22725	AR	Receptacle, Deutsch 23 Pin (Plastic)
16	21.22726	AR	Plug, Deutsch 23 Socket (Plastic)
17	21.20126	AR	Lockwasher, 1-11/16 in.
18	21.20127	AR	Nut, 1-11/16-18
19	21.22723	AR	Cap, Deutsch Plug
20	21.22724	AR	Cap, Deutsch Receptacle
21	21.22538	AR	Plug, Deutsch, 8 Socket
22	21.22539	AR	Receptacle, Deutsch, 8 Pin
23	21.22550	AR	Lock, Deutsch, 8 Pin Receptacle
24	21.22551	AR	Lock, Deutsch, 8 Socket Plug
25	21.22533	AR	Receptacle, Deutsch 3 Pin
26	21.22553	AR	Lock, Deutsch, 12 Socket Plug
27	21.22552	AR	Lock, Deutsch, 12 Pin Receptacle
28	21.22540	AR	Plug, Deutsch, 12 Socket
29	21.22541	AR	Receptacle, Deutsch, 12 Pin
30	21.22545	AR	Lock, Deutsch, 3 Socket Plug
31	21.22544	AR	Lock, Deutsch, 3 Pin Receptacle
32	21.22547	AR	Lock, Deutsch, 4 Socket Plug
33	21.22546	AR	Lock, Deutsch, 4 Pin Receptacle
34	21.22534	AR	Plug, Deutsch, 4 Socket
35	21.22535	AR	Receptacle, Deutsch, 4 Pin
36	21.22549	AR	Lock, Deutsch, 6 Socket Plug
37	21.22548	AR	Lock, Deutsch, 6 Pin Receptacle
38	21.22536	AR	Plug, Deutsch, 6 Socket
39	21.22537	AR	Receptacle, Deutsch, 6 Pin
40	21.30313	AR	Receptacle, Y
41	32.60886	AR	Terminating Resistor, Deutsch

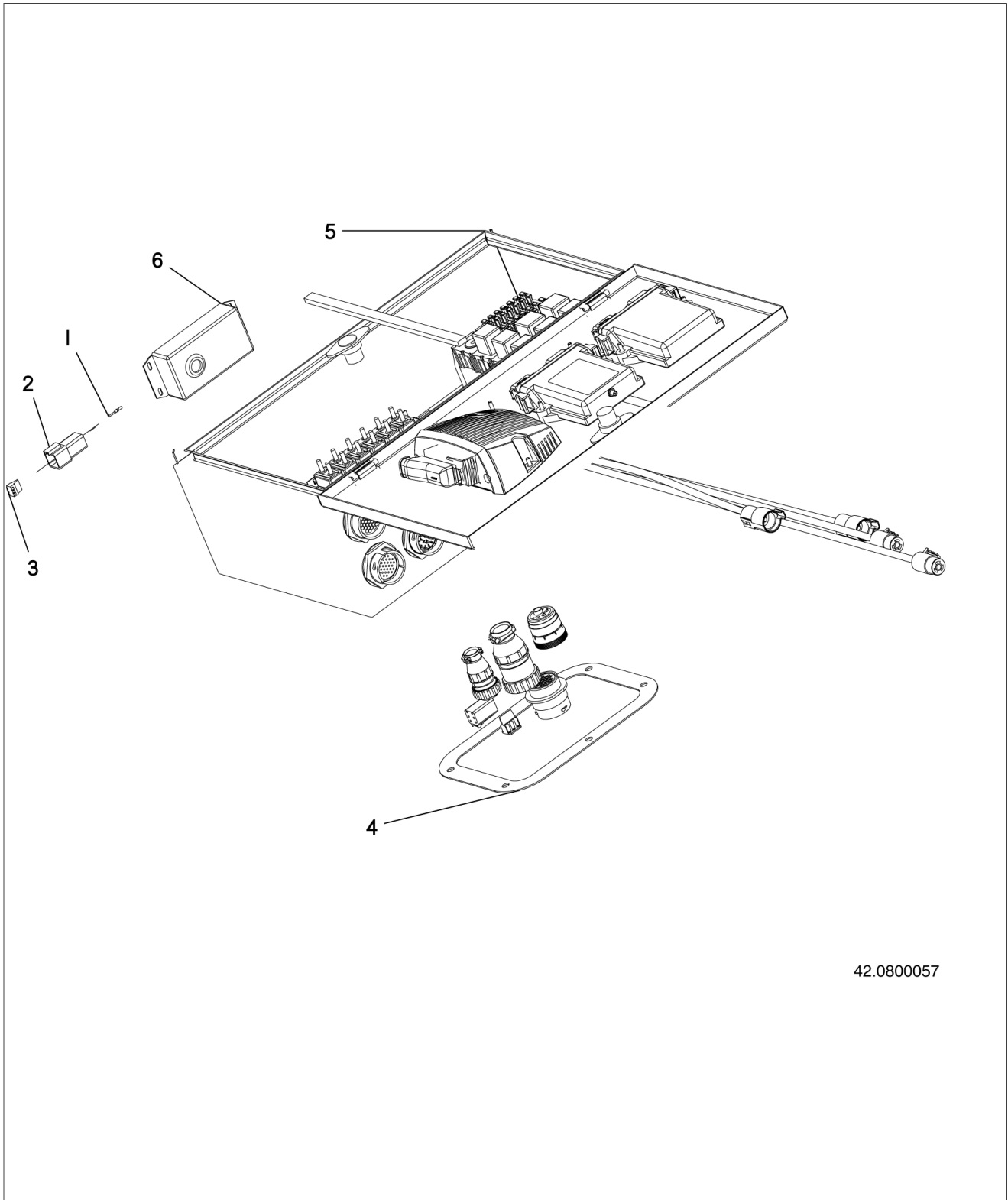
**Section 9**

**9.07 Electrical Connectors**

<b>Item</b>	<b>Part No.</b>	<b>Quantity</b>	<b>Description</b>
42	32.60887	AR	Wedge Lock, Deutsch, J1939

***This Page Intentionally Left Blank***

# 9.08 Junction Box Assembly

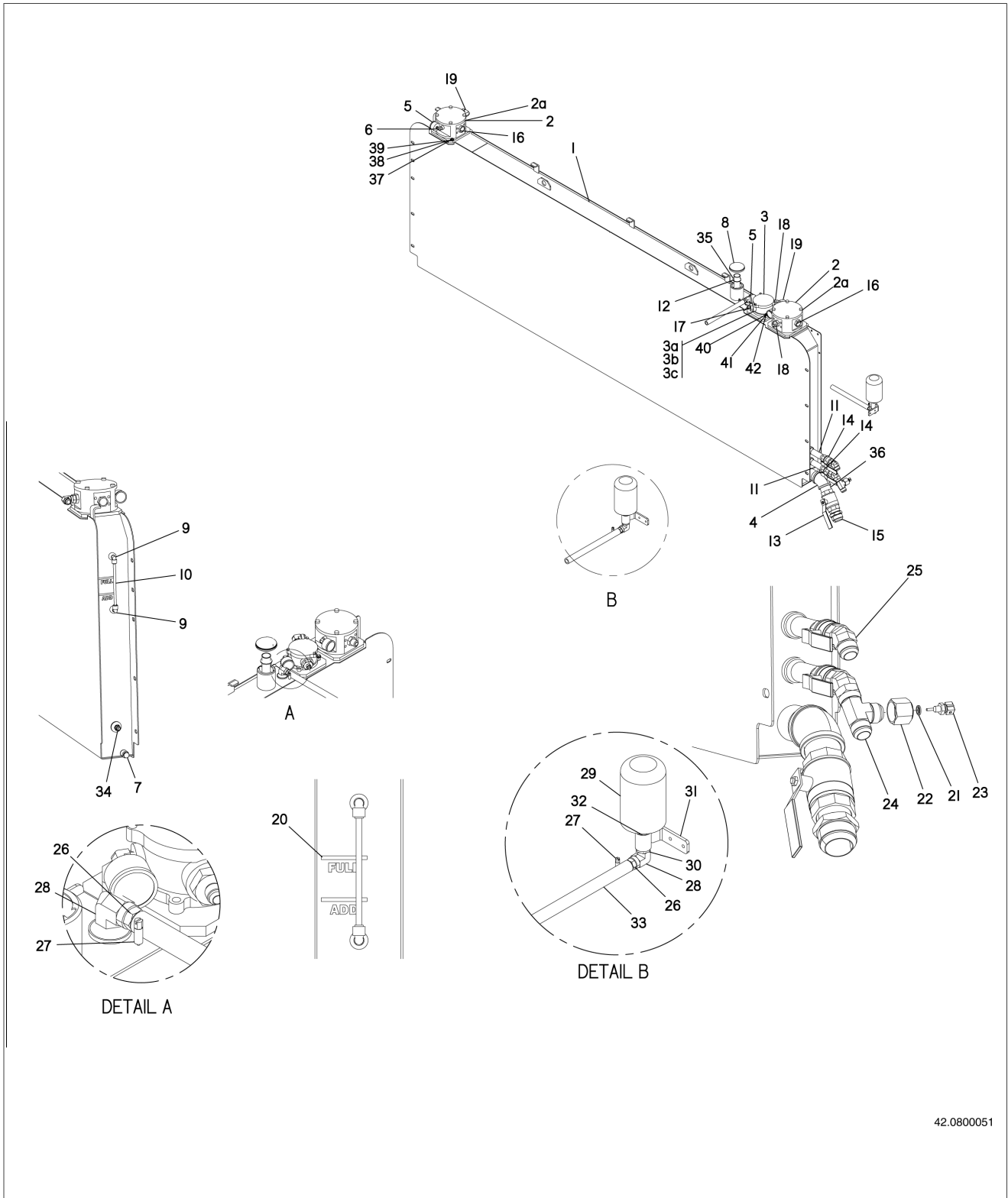


42.0800057

## 9.08 Junction Box Assembly

Item	Part No.	Quantity	Description
1	21.01015	6	Pin: Deutsch 16/18 Ga (nickel)
2	21.22537	1	Receptacle, Deutsch 6-Pin
3	21.22548	1	Lock, Deutsch 6 Pin Recpt
4	21.24246	1	Seal - Cab Bulkhead
5	42.0800551	1	Box: Junction Complete
6	42.0802252	1	Converter: 12dc/24dc

# 10.01 Hydraulic Tank Assembly



42.0800051



## 10.01 Hydraulic Tank Assembly

Item	Part No.	Quantity	Description
1	42.0800406.8	1	Tank, Hydraulic Wld
2	21.42085	2	Filter Asm, Return Tank 4215/4240
2a	21.42585	2	Filter Element
3	21.20850	1	Filter Asm, Top Tank Case Drain
3a	21.21112	1	Filter
3b	21.21115	1	Gasket
3c	21.21113	1	O-Ring
4	42.0802223	1	Elbow: 2 in. 45 Deg Female
5	32.00941	3	Gauge, Filter Minder
6	32.60003	3	Elbow, 1/8 FPT x 1/8 MPT
7	42.1540407	1	Plug - Hex Head #8mp
8	21.30210	1	Cap - Fuel, N2
9	21.20879	2	Elbow -90d 3/8 in. Tube - 3/8 in. NPT
10	21.20878	1 Ft	Tubing - Clear 3/8 in. Nom (Order Per Foot)
11	42.0800507	2	Nipple, Pipe 1 x 5
12	21.30278	1	Strainer - Hyd. Tank Fill
13	908078	1	Valve, Ball 2 in.
14	908077	2	Valve, Ball 1 in.
15	32.03893	1	Adapter, 2 in. MPT x 2 in. MJIC
16	32.02638	3	Plug, -16 ORB
17	32.02103	1	Adapter - 1/2 M JIC x -16 ORB
18	32.01955	4	Adapter, 3/4 MJIC x -16 ORB
19	32.01941	2	Elbow, 3/4 MJIC x Swivel 90
20	21.20881	1	Decal, Oil Level Hyd. Res.
21	908132	1	O-Ring - M10 x 1 W/retainer
22	42.0800895	1	Cap, -16 Jic W/ 10mm Port
23	42.0800272	1	Sensor, Temperature
24	32.03190	1	Tee, 1 in. Swivel Run JIC
25	908011	2	Elbow - 45 16 MJIC x 1 in. NPT
26	21.00370	2	Fitting, 1/2 MPT x 5/8 HB Brass
27	07.11696	2	Clamp, .437 in.-1.000 in. Hose
28	21.20947	2	Elbow, 1/2 NPT Street 90d
29	21.20848	1	Filter, Oil Tank Breather
30	32.00698	1	Bushing, 3/4 x 1/2 Stainless Steel
31	42.0901505	1	Mount - Breather
32	21.20849	1	Adapter, Breather Filter
33	32.60740	6 Ft	Hose, Heater 5/8 in. (Order Per Foot)
34	07.17862	1	Adapter, 1/2 M JIC To 1/2 MPT
35	900512	1	Mach Bshg - 1-1/4
36	32.00785	1	Nipple, 2 in. Stainless Steel Close
37	907425	8	Hhdbl, Stainless Steel 3/8-16 x 1-1/4

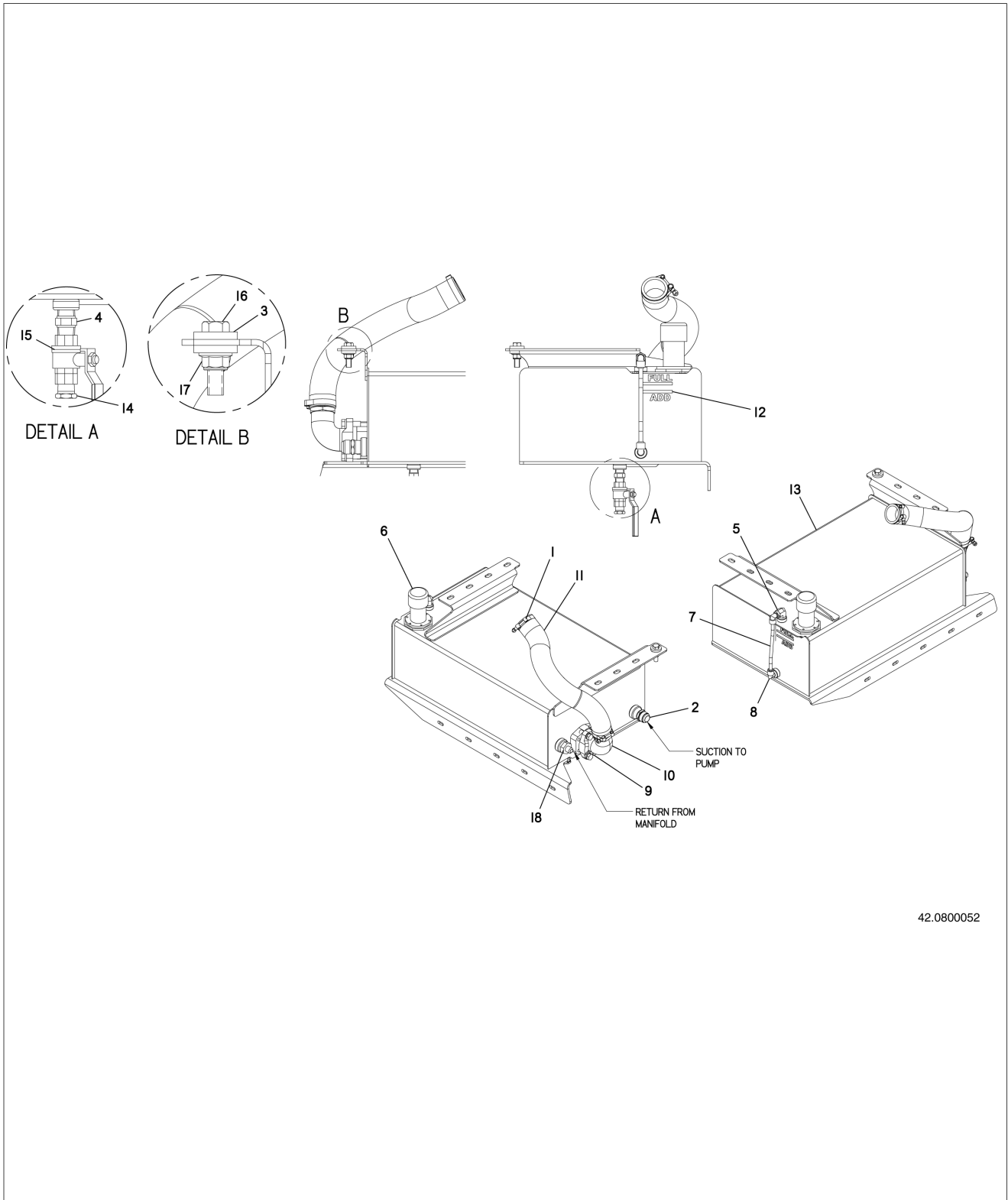
**Section 10**

**10.01 Hydraulic Tank Assembly**

<b>Item</b>	<b>Part No.</b>	<b>Quantity</b>	<b>Description</b>
38	907412	8	Lockwasher, 3/8 Stainless Steel
39	907380	8	Washer: Stainless Steel Flat 3/8 In.
40	907379	3	Washer, Stainless Steel 5/16 Flat
41	907411	3	Lockwasher, 5/16 Stainless Steel
42	907349	3	Hhdbl - Stainless Steel 5/16-18 x 1

***This Page Intentionally Left Blank***

# 10.02 HPTO Tank Assembly

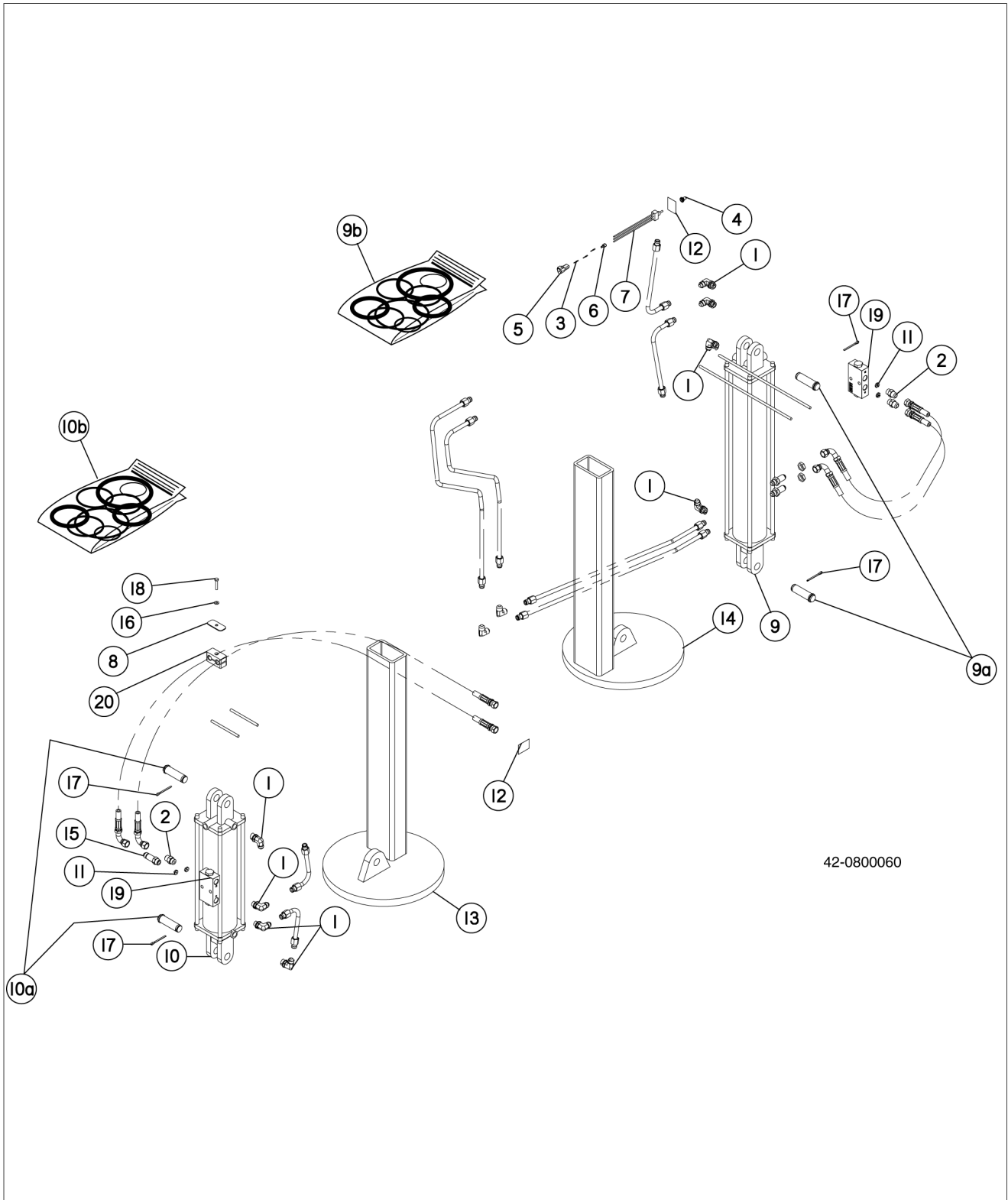


42.0800052

## 10.02 HPTO Tank Assembly

Item	Part No.	Quantity	Description
1	07.11691	2	Clamp, 2 in. T-Bolt
2	07.17863	1	Connector - Male 1 in. JIC -1 in. NPT
3	09.70941	16	Washer, Flat 1/2 in. Thick
4	09.74113	1	Nipple - Pipe 1/2 Hex
5	09.74142	1	Elbow - 90d 3/8 NPTF M/F
6	21.20599	1	Filler/breather - High Neck
7	21.20878	1 Ft	Tubing - Clear 3/8 in. Nom (Order Per Foot)
8	21.20879	2	Elbow: 90d 3/8 In.tube - 3/8 In. PIP
9	32.03793	1	Flange: Kit - 2 In. Code 61
10	32.03995	1	Elbow - 2 in. Code 61 x HB
11	42.0800633	1	Hose - Hyd 2 in. Clutch Drain
12	42.0800798	1	Decal - Oil Level Hyd. Res. Clutch
13	42.0800867	1	Tank - Clutch X1114
14	42.1540407	1	Plug - Hex Head #8mp
15	42.1541716	1	Valve, Ball 1/2 in.
16	902050	8	Hhdbl, G5 1/2-13 x 2
17	907399	8	Hhdnut - Nylon Lk 1/2-13 Flange
18	908096	1	Adapter, 1 in. MPT x -08 MJIC

# 10.03 Hydraulic Jack Assembly

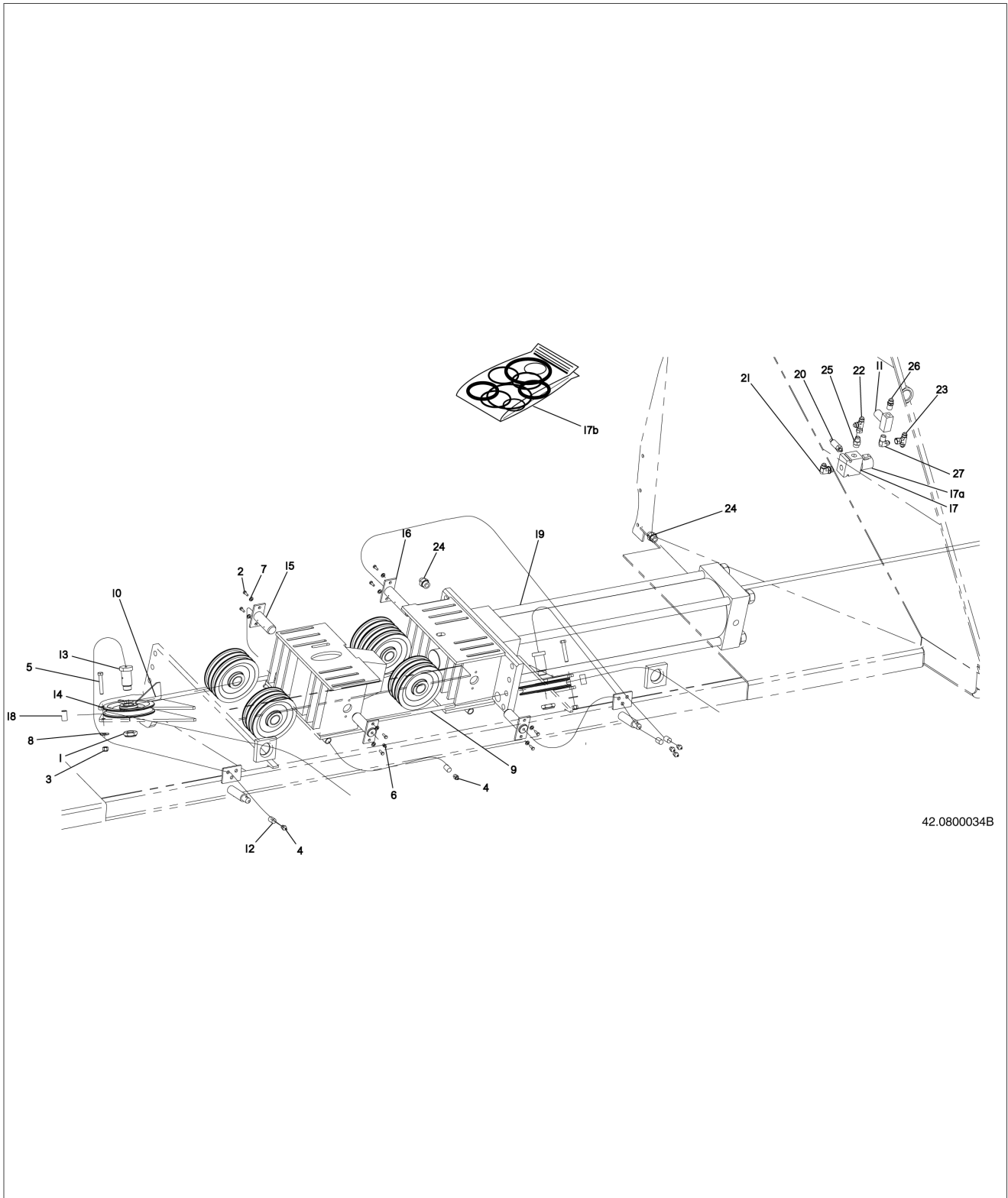


42-0800060

## 10.03 Hydraulic Jack Assembly

Item	Part No.	Quantity	Description
1	09.74145	8	Elbow, -08 ORB x 1/2 in. MJIC
2	09.74155	3	Adapter, -08 ORB x 1/2 in. MJIC
3	21.01014	3	Pin, Deutsch 14 Ga
4	21.21460	1	Boot, Green Toggle Switch
5	21.22533	1	Receptacle, Deutsch 3 Pin
6	21.22544	1	Lock, Deutsch 3 Pin Receptacle
7	32.00274	1	Switch, 3 Wire Cruise
8	32.02002	1	Clamp Plate, Tube
9	42.0800722	1	Hydraulic Cylinder, 4 in. x 24 in. ORB
9a	42.0000686	2	Pin, Clevis
9b	42.0800715	1	Seal Kit, 24 in. Cylinder
10	42.0800723	1	Hydraulic Cylinder, 4 in. x 14 in. ORB
10a	42.0000686	2	Pin, Clevis
10b	42.0800715	1	Seal Kit, 14 in. Cylinder
11	42.0901411	4	Orifice, -8 ORB One Way (.059)
12	42.1100046	2	Decal, Up/Down Switch
13	42.1212015	1	Jack Base, Hydraulic Engine End
14	42.1212016	1	Jack Base, Hydraulic Cab End
15	42.1540581	1	Connector, -08 MORB x -08 MJIC EX
16	907234	1	Washer, Flat, 1/4 in. Stainless Steel
17	907427	4	Cotter Pin, 3/16 x 2 in. Stainless Steel
18	907458	1	Bolt, Hex, 1/4-20 x 1-1/2 in. Stainless Steel
19	907912	2	PO Check Valve, Double, (-8 ORB)
20	908008	1	Clamp, Twin, .625 in. I.D. Smooth

# 10.04 Hypac Cylinder Asm

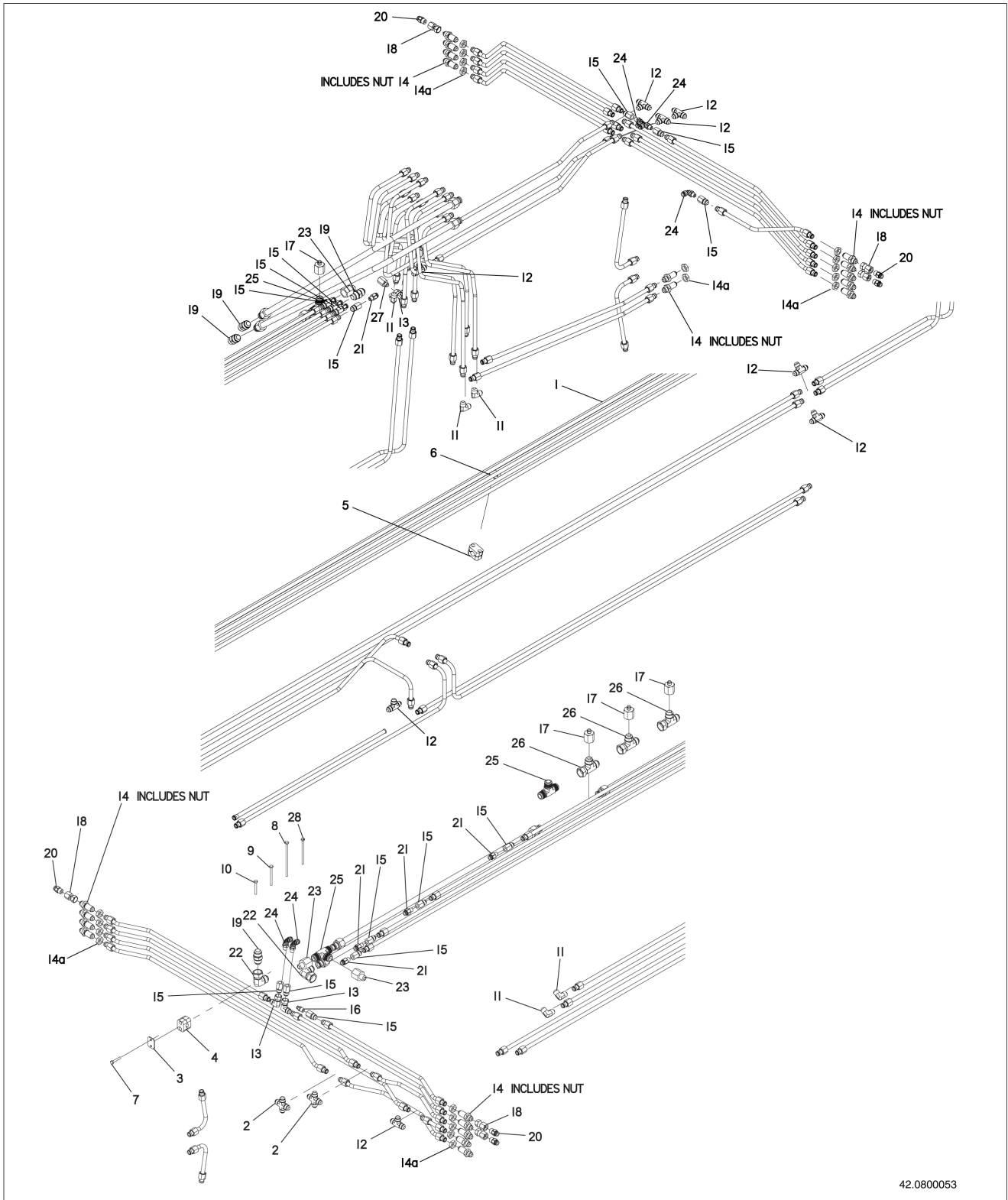




## 10.04 Hypac Cylinder Asm

Item	Part No.	Quantity	Description
1	907742	2	Jamnut, 1 1/4-7 Nylock
2	907627	8	Hhdbl, G8 1/4-28 x 3/4
3	906401	2	Hhdnut - Nylon Lk 1/2-13
4	905501	5	Grz Zerk - 1/8npt Female
5	902675	2	Hhdbl, 1/2-13 x 3 Yellow Zinc Gr 5
6	900537	1	Fitting, Grease, 1/8-Ptf
7	900504	8	Washer-Lock 3/8 in.
8	900497	2	Washer - Flat 1/2 in. Std
9	42.1590059	1	Cable: 5/8 in. x 30 Ft Blank Ends
10	42.1590058	1	Cable: 5/8 x 35 Ft Blank Ends
11	42.1541123	1	Valve, Needle
12	42.1100094	1	Hose Kit, Anchor System Grz Whps
13	42.1060163	2	Pin - Anchor Cyl Outlet Pulley
14	42.1060156.5	11	Pulley, Anchor - Large 1-1/2
15	42.1030091	3	Pin Asm - Anchor Cyl Sht 1.5 in.
16	42.1030090	1	Pin Asm - Anchor Cyl Lng 1.5 in.
17	42.0901385	1	Valve - Hyd Anchor Float
17a	32.03976	1	Service Coil
17b	32.03975	1	Seal Kit
18	42.0802239.5	2	Roller: Guide
19	42.0801416	1	Asm: 8 in. Anchor Cylinder W/o Pulleys
20	42.0800253	1	Transducer, Pressure 0-4000 Psi
21	32.03794	1	Elbow, -10 ORB x 1/2 MJIC
22	32.02033	1	Tee, 1/2 Swivel Run 37 Flare
23	32.01947	1	Tee, 1/2 Swivel Outlet JIC
24	32.01940	2	Adapter, -12 ORB x 1/2 M JIC
25	32.02101	1	Adapter, -10 ORB x 1/2 M JIC
26	07.17862	1	Adapter, 1/2 M JIC To 1/2 MPT
27	07.19006	1	Elbow, 1/2 NPT x 1/2 MJIC

# 10.05 Hyd Tube Asm

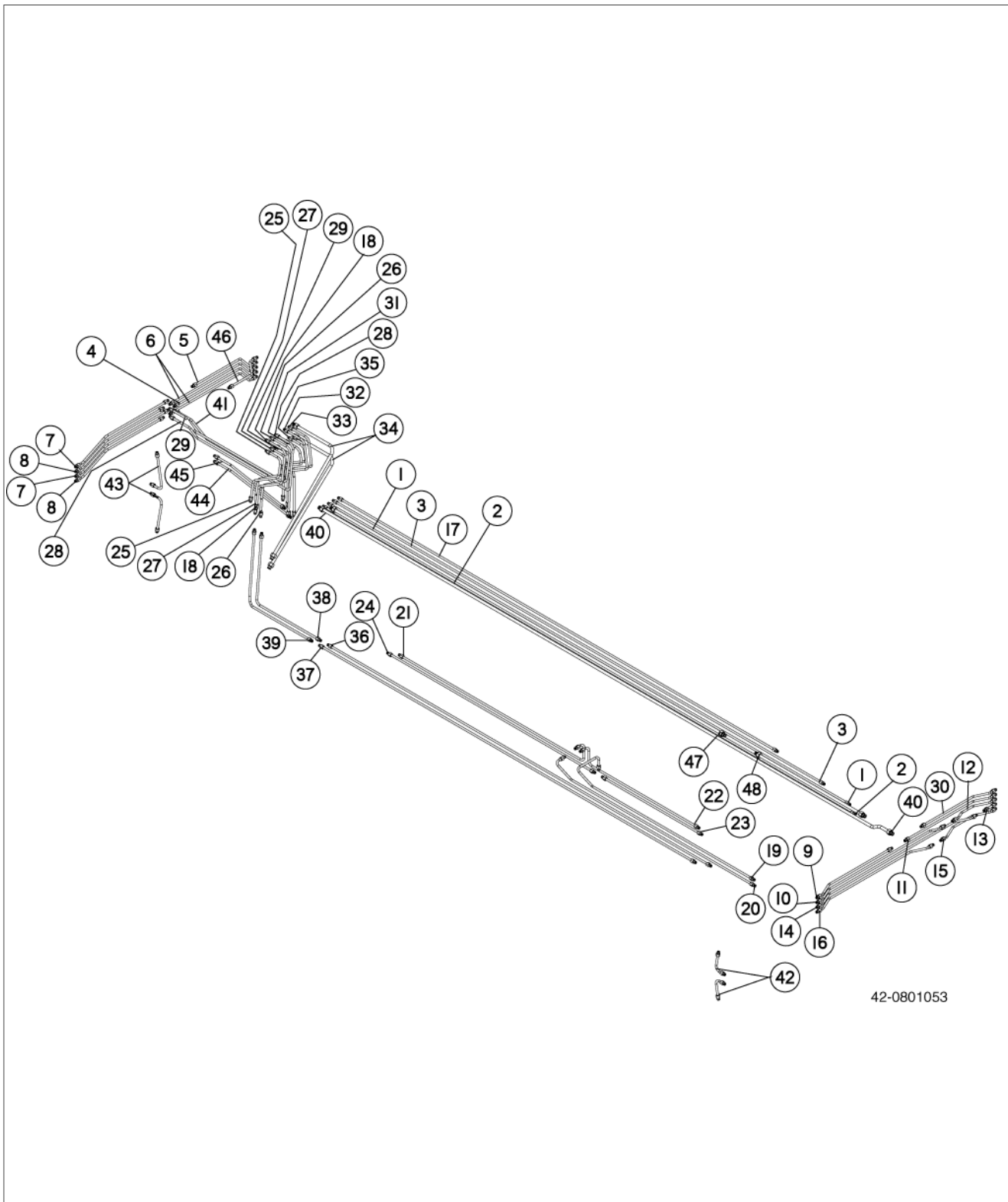


42.0800053

## 10.05 Hyd Tube Asm

Item	Part No.	Quantity	Description
1	42.0801053	1	Hyd Tube Kit, X1114 Tow
2	908131	2	Cross - Union -08 JIC
3	42.1541728	52	Plate, Cover 1/2 Tube Clamp
4	42.1541251	79	Clamp - Insert Sgl 1/2t Set
5	42.1541252	16	Clamp, Insert Sgl 3/4t Set
6	42.1541726	16	Clamp, Top Sgl 1/2p 3/4t 1t
7	907458	60	Hhdbl, 1/4-20 x 1-1/2 Stainless Steel
8	907973	8	Hhdbl - Stainless Steel 1/4-20 x 5-1/2
9	907496	30	Hhdbl, Stainless Steel 1/4-20 x 3
10	907423	32	Hhdbl, 1/4-20 x 2 Stainless Steel
11	09.74150	5	Elbow 90d Union 3/4-16 37 Deg
12	09.74123	8	Tee, Union, 3/4-16 37d JIC
13	09.74149	3	Elbow, 90 1/2 in. JIC Swivel
14	42.1540591	20	Union, Bulkhead #8 MJ x #8 MJ
14a	42.1540750	20	Nut, Bulkhead Union
15	42.1541405	14	Connector - #8 MJ x #4 FP
16	908477	1	Connector: 1/4 MPT x 1/4 Tube
17	32.60628	4	Reducer, 3/4 FJIC x 3/8 MJIC
18	32.04687	6	Adapter, 1/2 FJIC x 3/8 FPT
19	907557	4	Union, -12 Male JIC
20	908480	6	Connector: 3/8 MPT x 3/8 Tube
21	908479	8	Connector: 1/4 MPT x 3/8 Tube
22	32.01941	2	Elbow, 3/4 MJIC x Swivel 90
23	32.01948	3	Adapter, 3/4 F JIC To 1/2 M JIC
24	908468	5	Elbow: 1/4 MPT x 3/8 Tube
25	32.03049	3	Tee, -12 Male JIC
26	32.01945	3	Tee, 3/4 Swivel Run 37 Flare
27	32.03057	2	Adapter, 1/2 F JIC x 3/8 M JIC
28	908542	2	Hhdbl, 1/4-20 x 4 Stainless Steel

# 10.06 Hydraulic Tube Assembly



## 10.06 Hydraulic Tube Assembly

Item	Part No.	Quantity	Description
1	42.0801019	1	Tube, Hydraulic, 1/2 in. Engine End Air Brakes
		1	(2nd Line Up Along Top Of Frame)
2	42.0801018	1	Tube, Hydraulic, 1/2 in. Air Supply
		1	(Bottom Line Along Top Of Frame)
3	42.0901195	1	Tube, Hydraulic, 1/2 in. Pilot Pressure
		1	(2nd Line Down Along Top Of Frame)
4	42.0900334	1	Tube, Hydraulic Cab End Air Brakes
		1	(Cab End Frame, 3rd Down (Pair With Item 7))
5	42.0801073	1	Tube, Hydraulic, 1/2 in. Cab End Air Brakes
		1	(Cab End Frame, Top Tunnel Side)
6	42.0900332	2	Tube, Hydraulic Cab End Wheel Drive
		1	(Cab End Frame, 2nd And 4th Down (Pair With Item 8))
7	42.0900333	2	Tube, Hydraulic Cab End Air Brakes
		1	(Cab End Frame, Top And 3rd Down (Pair With Item 4))
8	42.0900331	2	Tube, Hydraulic Cab End Wheel Drive
		1	(Cab End Frame, 2nd And 4th Down (Pair With Item 6))
9	42.0801033	1	Tube, Hydraulic Engine End Air Brakes
		1	(End Frame Engine End Top)
10	42.0900278	1	Tube, Hydraulic Engine End Wheel Drive
		1	(End Frame 2nd Line Down)
11	42.0900277	1	Tube, Hydraulic Engine End Air Brakes
		1	(End Frame Engine End Top)
12	42.0900279	1	Tube, Hydraulic Engine End Wheel Drive
		1	(End Frame 2nd Line Down)
13	42.0900282	1	Tube, Hydraulic Engine End Wheel Drive
		1	(End Frame Case Drain)
14	42.0900283	1	Tube, Hydraulic Engine End Wheel Drive
		1	(End Frame Case Drain)
15	42.0900284	1	Tube, Hydraulic Engine End Wheel Drive
		1	(End Frame Bottom Line)
16	42.0900285	1	Tube, Hydraulic Engine End Wheel Drive
		1	(End Frame Bottom Line)
17	42.0901196	1	Tube, Hydraulic, 1/2 in. Engine End Gauge Line
		1	(Top Line Along Top Of Frame)
18	42.0900317	1	Tube, Hydraulic Cab End Steer
		1	(Cab End Valve Top To Steering Cylinder Hose)
19	42.0900302	1	Tube, Hydraulic, 1/2 in. Bag Pan
		1	(Bag Pan Lines Under Hopper To Tee)
20	42.0900301	1	Tube, Hydraulic, 1/2 in. Bag Pan
		1	(Bag Pan Lines Under Hopper To Divider)
21	42.0901212	1	Tube, Hydraulic, 1/2 in. Bag Pan

**Section 10**

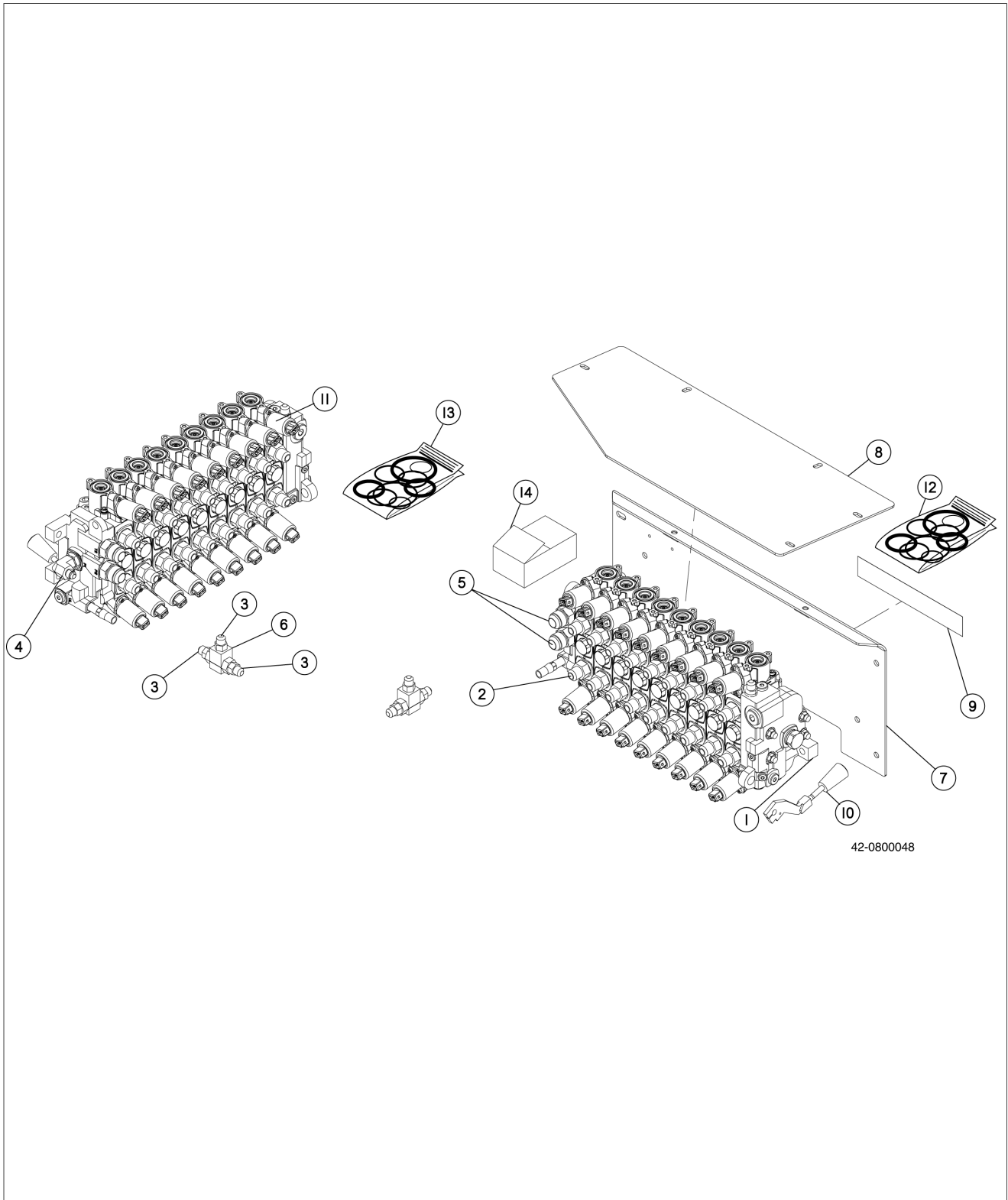
**10.06 Hydraulic Tube Assembly**

Item	Part No.	Quantity	Description
		1	(Divider Valve Toward Cab End)
22	42.0900305	1	Tube, Hydraulic Bag Pan Engine End
		1	(Bag Pan From Divider Toward Engine End)
23	42.0900307	1	Tube, Hydraulic, 1/2 in. Bag Pan
		1	(Bag Pan Tee At Item19 Toward Engine End)
24	42.0901213	1	Tube, Hydraulic, 1/2 in. Bag Pan
		1	(Tee At Item 19 Toward Cab End)
25	42.0900316	1	Tube, Hydraulic Cab End Steering
		1	(Cab End Valve Bottom To Steering Cylinder Hose)
26	42.0801072	1	Tube, Hydraulic, 1/2 in. Feed Table
		1	(Cab End Valve Top To P.O. Check)
27	42.0900314	1	Tube, Hydraulic Feed Table
		1	(Cab End Valve Bottom To P.O. Check)
28	42.0900323	1	Tube, Hydraulic Cab End Wheel Drive
		1	(Cab End Valve Top To End Frame) (Bottom Of 4 Lines)
29	42.0900324	1	Tube, Hydraulic Cab End Wheel Drive
		1	(Cab End Valve Bottom To End Frame) (2nd From Top Of 4 Lines)
30	42.0801034	1	Tube, Hydraulic Engine End Park Brake
		1	(End Frame Engine End Park Brake)
31	42.0900313	1	Tube, Hydraulic Anchor
		1	(Bottom Valve To Needle Valve)
32	42.0801052	1	Tube, Hydraulic Cab End Jack
		1	(Bottom Valve To Item 45)
33	42.0801051	1	Tube, Hydraulic Cab End Jack
		1	(Top Valve To Item 44)
34	42.0901187	2	Tube, Hydraulic, 3/4 in. Feed Table Drive
		1	(Cab End Valve To Feed Table Hoses (2 Per)
35	42.0900320	1	Tube, Hydraulic Anchor
		1	(Top Valve To Line Body For Anchor (Runs With Item 31)
36	42.0901191	1	Tube, Hydraulic, 1/2 in. Feed Table Down
		1	(Along Frame Between Cylinders)
37	42.0901192	1	Tube, Hydraulic, 1/2 in. Feed Table Up
		1	(Along Frame Between Cylinders)
38	42.0901189	1	Tube, Hydraulic, 1/2 in. Feed Table Down
		1	(P.O. Check To Tee At Item 36)
39	42.0901190	1	Tube, Hydraulic, 1/2 in. Feed Table Up
		1	(P.O. Check To Tee At Item 42)
40	42.0901197	1	Tube, Hydraulic, 3/4 in. Cab End Valve Supply
		1	(Along Top Of Frame)
41	42.0801035	1	Tube, Hydraulic Cab End Case Drain (Along Top Of Frame
		1	To Cab End Frame) (2nd From Bottom Of 4 Lines)

## 10.06 Hydraulic Tube Assembly

Item	Part No.	Quantity	Description
42	42.0901092	2	Tube, Hydraulic, 1/2 in. Lift PO Check
		1	(Engine End Lift Cylinder)
43	42.0901093	2	Tube, Hydraulic, 1/2 in. Lift PO Check
		1	(Cab End Lift Cylinder)
44	42.0801039	1	Tube, Hydraulic, 1/2 in. Cab End Jack
		1	(Cab End Jack Item 33 Tube To Bulkhead)
45	42.0801040	1	Tube, Hydraulic, 1/2 in. Cab End Jack
		1	(Cab End Jack Item 32 Tube To Bulkhead)
46	42.0801057	1	Tube, Hydraulic, 1/2 in. Cab End Park Brake
		1	(Along Top Of Cab End Frame To Bulkhead)
47	42.0801074	1	Tube, Hydraulic, 3/4 in. Case Drain
		1	(2nd Line Up Along Top Of Frame)
48	42.0801075	1	Tube, Hydraulic, 3/4 in. Case Drain
		1	(From Tees Along Top Of Frame Engine End)

# 10.07 Hydraulic Valve Assembly Engine End

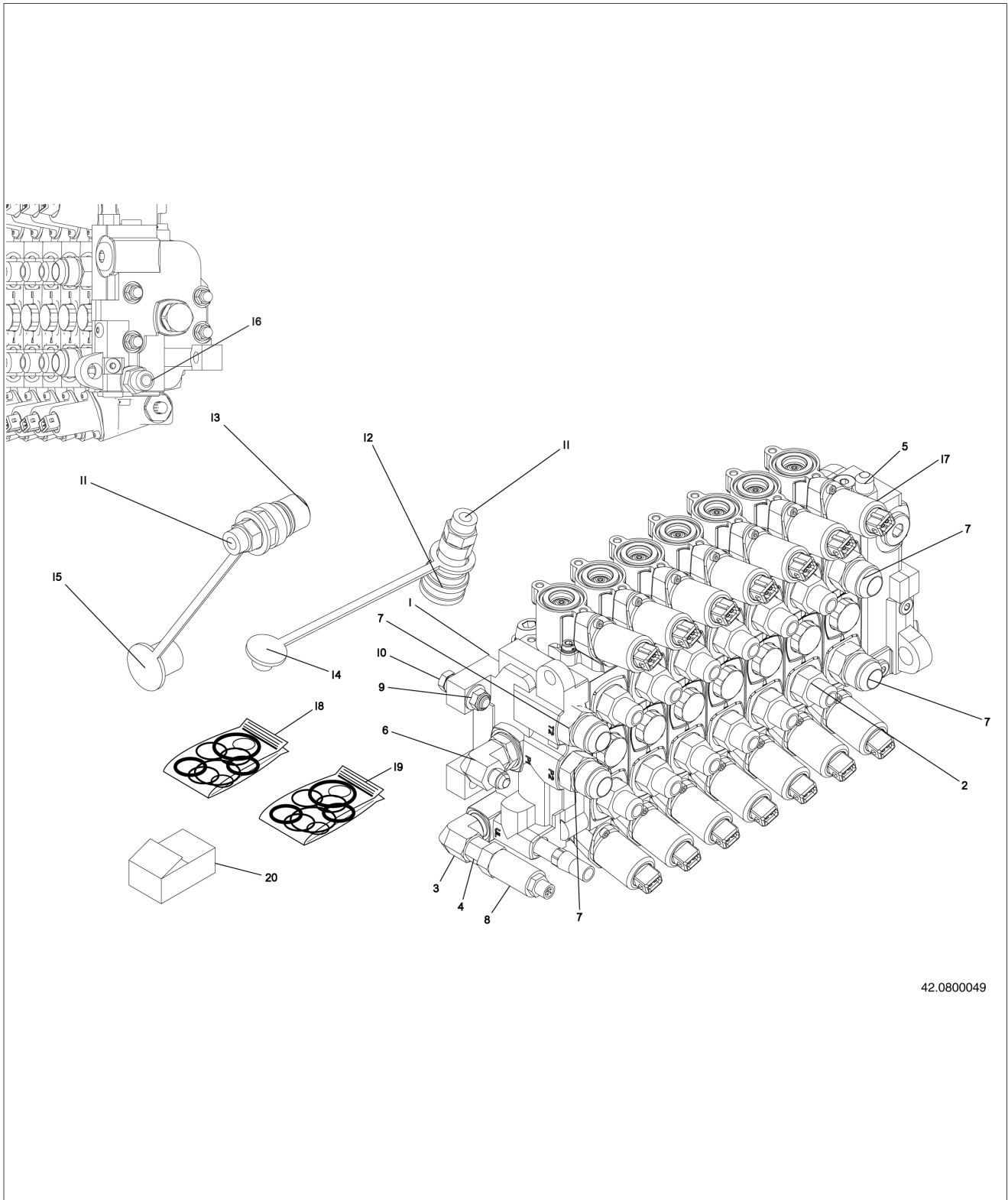




## 10.07 Hydraulic Valve Assembly Engine End

Item	Part No.	Quantity	Description
1	42.0800137	1	Valve, Hydraulic Engine End
2	32.02101	18	Adapter, -10 ORB x 1/2 in. MJIC
3	07.17911	4	Adapter, -06 ORB x 3/8 in. MJIC
4	907775	1	Adapter, -10 ORB x 6 MJIC, 90°
5	32.02089	2	Adapter, -12 MJIC x -10 ORB
6	32.04712	1	Shuttle Valve, O-Ring
7	42.0800728	1	Weldment, Valve Mounting Engine End (Front)
8	42.0800727	1	Plate, Valve Mounting Engine End (Top)
9	42.1100063	1	Decal, Hydraulic Valve Bank
10	42.0800555	6	Handle, Short P70 Valve
11	21.32122	AR	Coil
12	21.32124	AR	Seal Kit
13	21.32123	AR	Intersection Seal Kit
14	42.0801173	AR	Actuator Kit

# 10.08 Hyd Valve Asm, Cab End

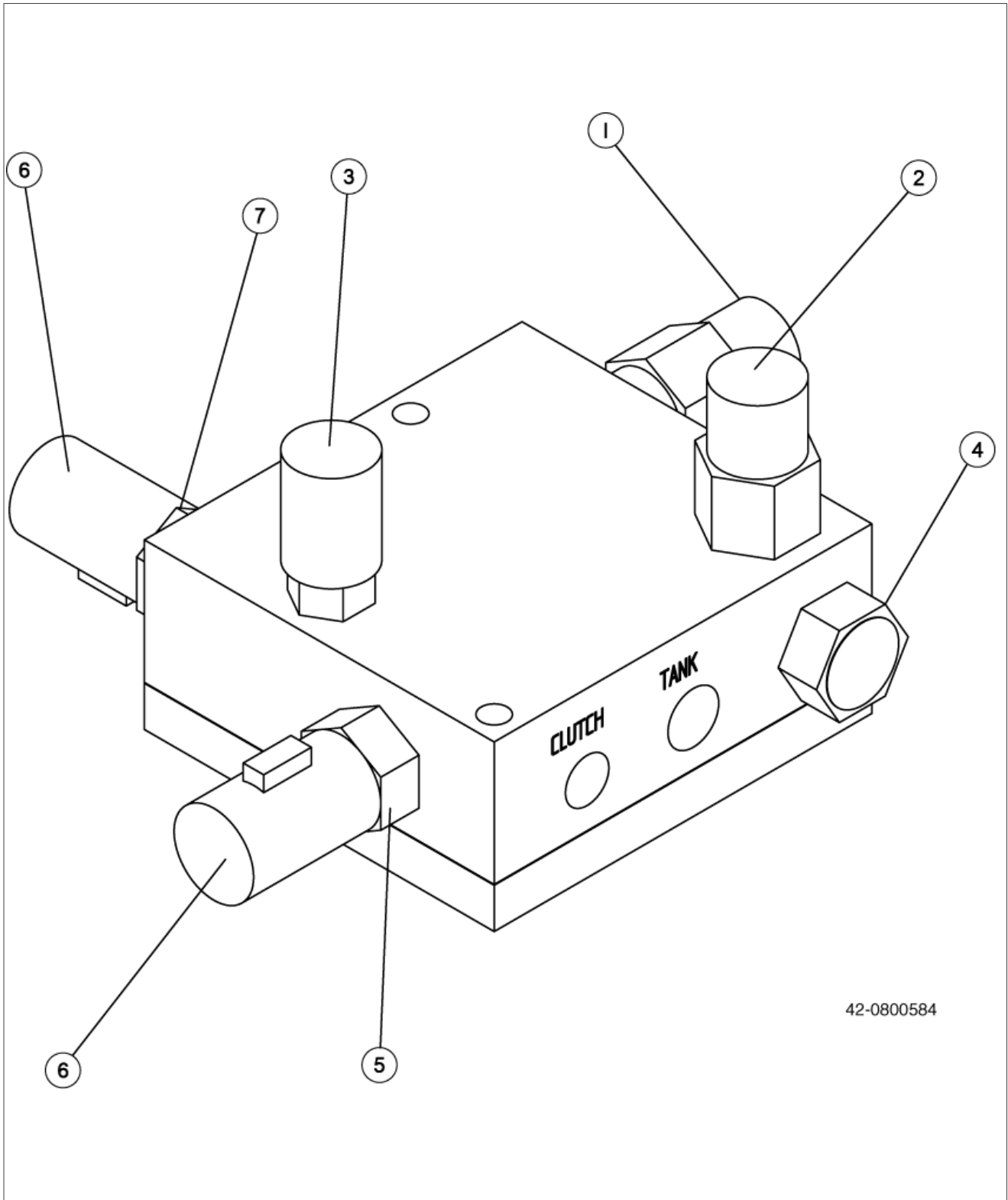


42.0800049

## 10.08 Hyd Valve Asm, Cab End

Item	Part No.	Quantity	Description
1	42.0800136	1	Valve Asm, Seven Section
2	32.02101	12	Adapter, -10 ORB x 1/2 M JIC
3	21.21693	1	Elbow, -06 FORB x -06 MORB
4	42.0800611	1	Reducer, -06 MORB x -04 FORB
5	07.17911	1	Adapter, -06 ORB x 3/8 M JIC
6	907775	1	Adaptor - 10 ORB x 6 MJIC 90d
7	32.02089	4	Adapter, -12 MJIC x -10 ORB
8	42.0800253	1	Transducer, Pressure 0-4000 Psi
9	907779	3	Hhdnut - Nylon Lk Flng 3/8-16 Yellow Zinc
10	903848	3	Hhdblt - 3/8-16 x 1-1/2
11	09.74155	2	Adapter, -08 ORB x 1/2 M JIC
12	21.00361	1	Coupler - Quick 1/2 Female Body
13	21.00362	1	Coupler - Quick 1/2 Male Body
14	32.03085	1	Dust Plug, 1/2 in.
15	32.03084	1	Dust Cap, 1/2 in.
16	32.60010	1	Adapter: -06 ORB x 1/2 MJIC
17	21.32122	AR	Coil
18	21.32123	AR	Intersection Seal Kit
19	21.32124	AR	Seal Kit
20	42.0801173	AR	Actuator Kit

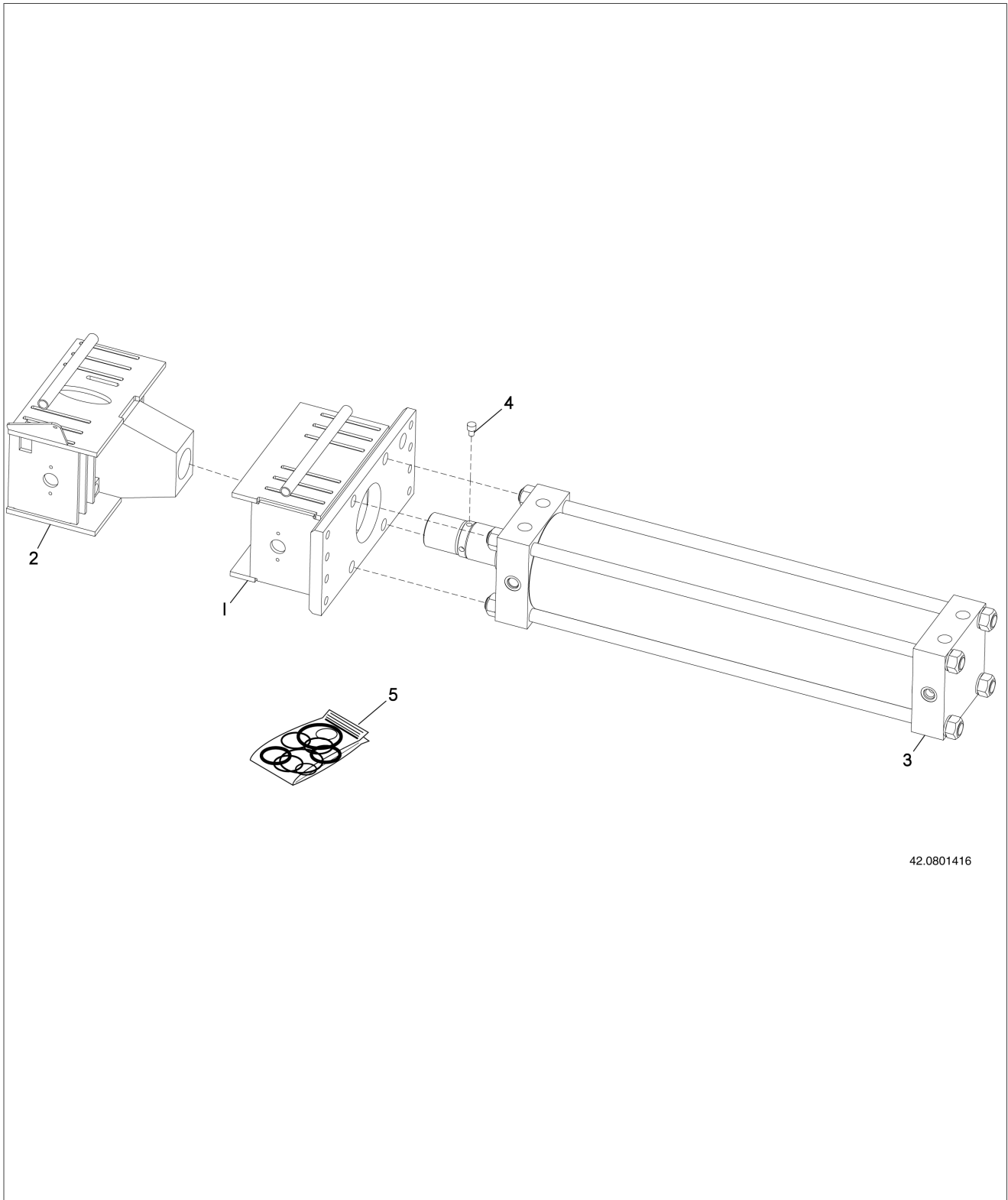
# 10.09 Clutch Manifold



## 10.09 Clutch Manifold

Item	Part No.	Quantity	Description
1	42.0900890	1	Press Red Valve, HPTO
2	42.0801158	1	Temp Switch, Clutch
3	42.0800783	1	Pressure Sensor, HPTO
4	42.0900889	1	Flow Control Valve, HPTO
5	42.0900891	1	Solenoid Valve, Clutch
6	42.0801160	2	Coil, Clutch Manifold
7	42.0801159	1	Prop Relief Valve, Clutch

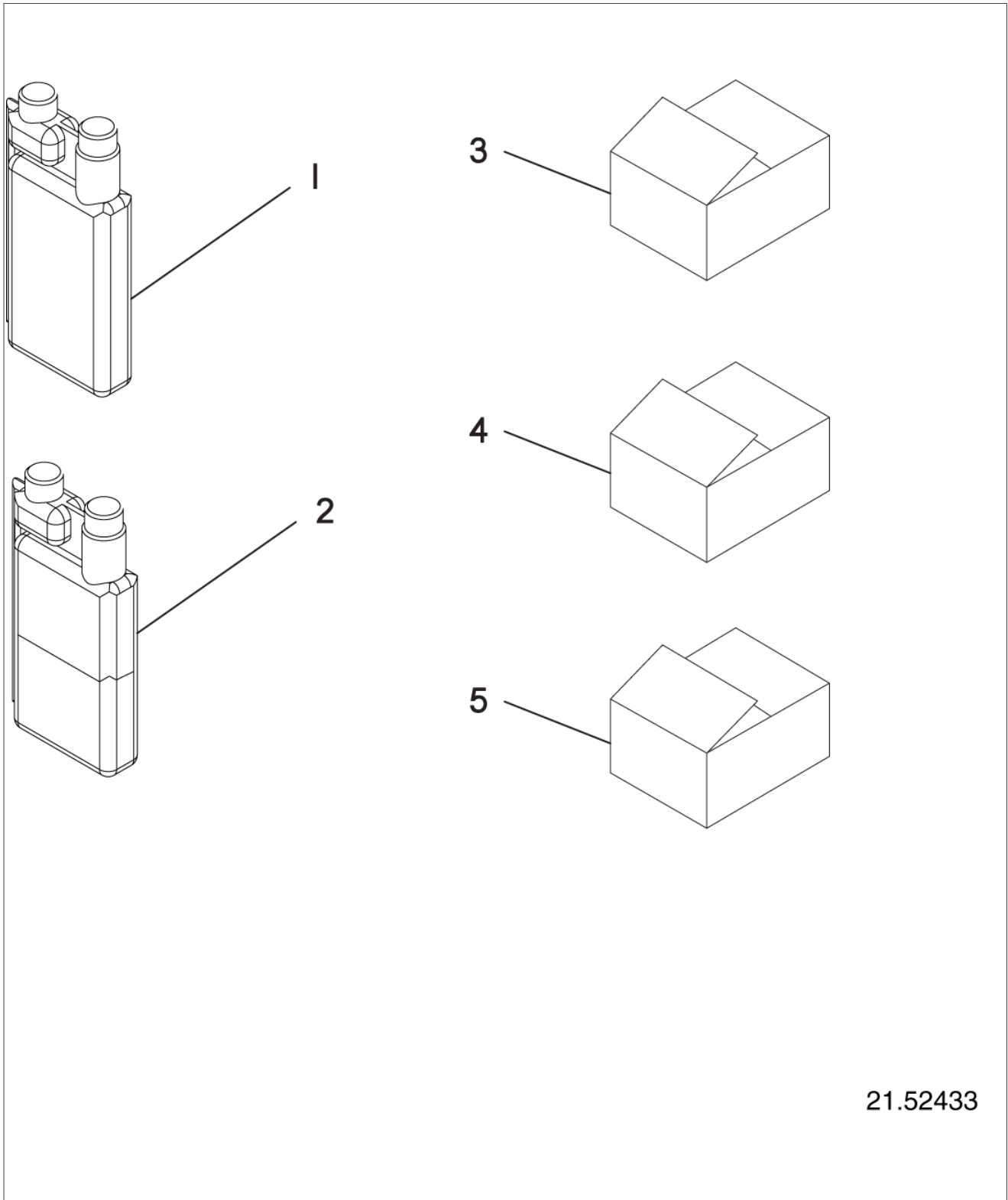
# 10.10 Assembly: 8 in. Anchor Cylinder W/O Pulleys



## 10.10 Assembly: 8 in. Anchor Cylinder W/O Pulleys

Item	Part No.	Quantity	Description
1	42.0801408	1	Mount: 8 in. Anchor Cylinder
2	42.0801409	1	Head: 8 in. Anchor Cylinder
3	42.0801414	1	Cylinder: Anchor - Tie Rod 8 in. x 36 in.
4	42.0801421	1	Pin: Rod Stop
5	42.0801423	1	Seal Kit, Anchor Cylinder

### 10.11 Hydraulic Oil Glo Dye & Kits

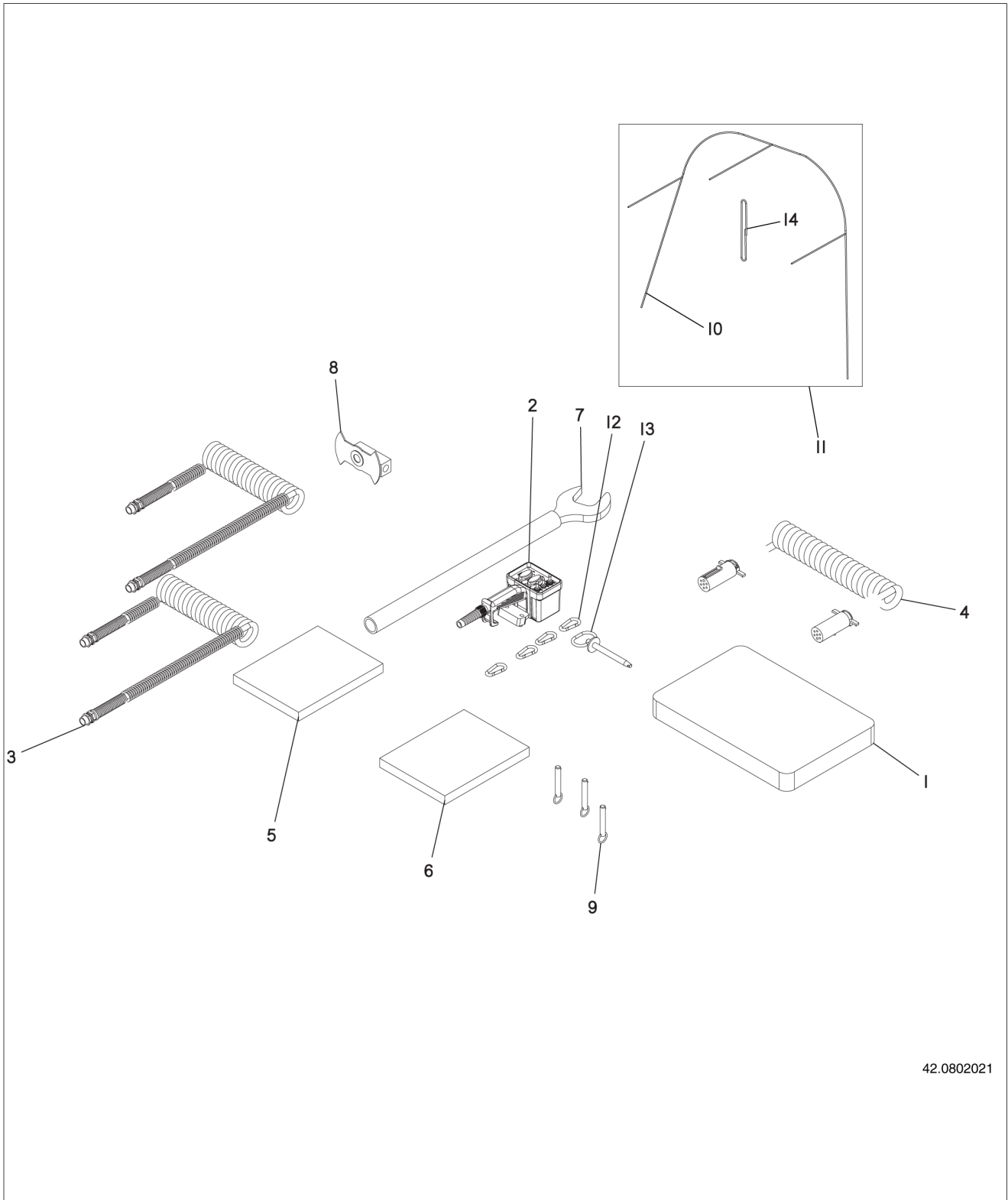




## 10.11 Hydraulic Oil Glo Dye & Kits

Item	Part No.	Quantity	Description
1	21.52433	1	Dye: Oil-Glo 44, 8 OZ.
2	21.52432	1	Dye: Oil-Glo 44, 4 OZ.
3	21.52434	1	Kit: Hydraulic Oil Dye, Optimax Jr.
4	21.52435	1	Kit: Hydraulic Oil Dye, Optimax
5	21.52436	1	Kit: Hydraulic Oil Dye, Opti-Lux

# 11.01 Asm: LX1214 Parts Package

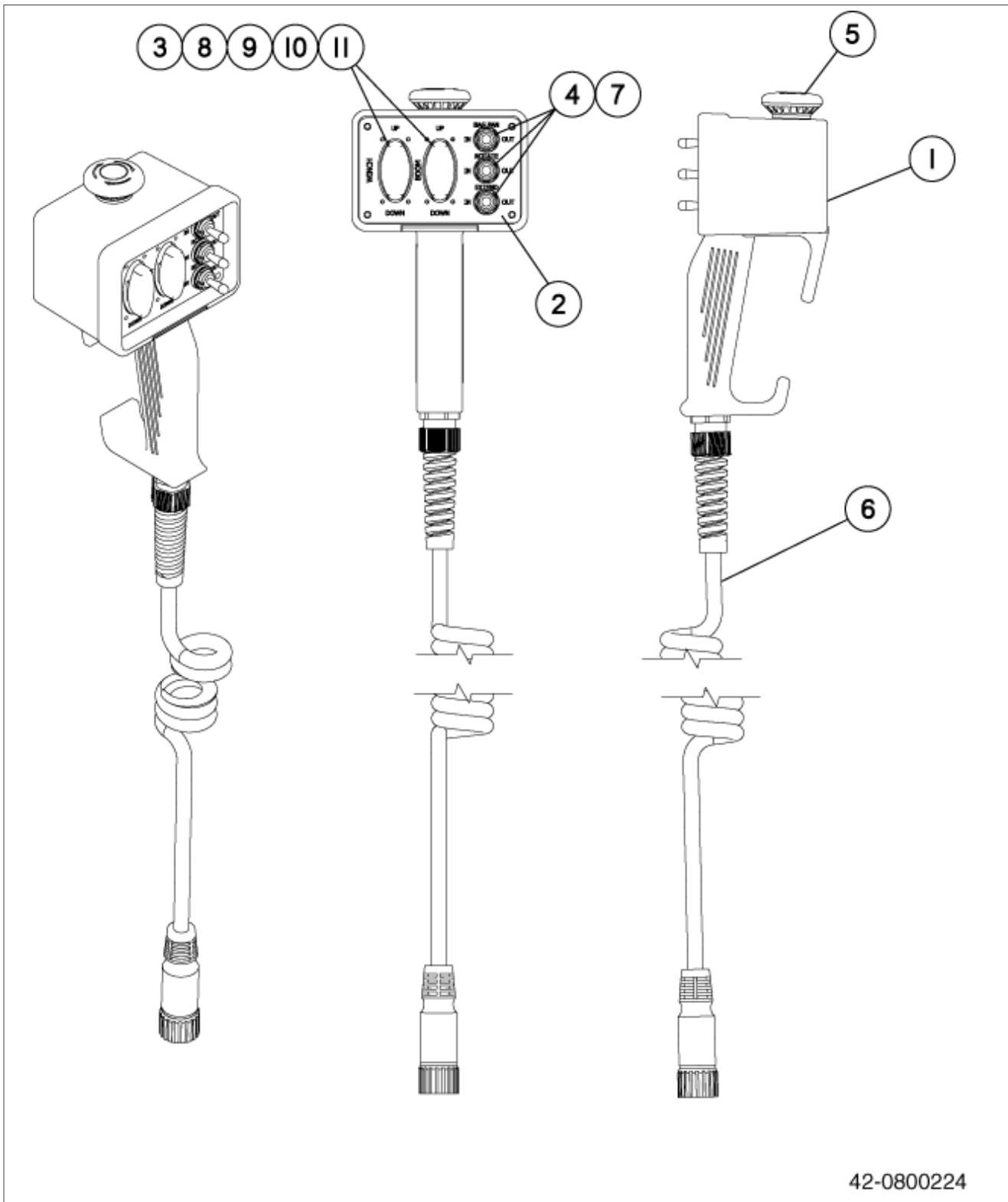


42.0802021

## 11.01 Asm: LX1214 Parts Package

Item	Part No.	Quantity	Description
1	21.24842	1	Satchel, Literature
2	42.0800224	1	Remote - Bag Boom Pendant
3	42.0801442	1	Aircoils: Basic Set 12 Ft
4	42.0801443	1	Powercoil: Light Duty 12 Ft
5	42.0802219A	1	Opm: LX1214 Bagger
6	42.0802220A	1	Pbk: LX1214 Bagger
7	42.1120531	1	Wrench, 2-3/8 Open End
8	42.1501038	4	Coupler, Gladhand Midland
9	42.1550301	3	Pin - Self Locking 1/2 x 2-1/2
10	42.1560000	1	Bungee Cord, Tunnel
11	42.1560004	1	Kit - Bungee Cord
12	907949	4	Snap - Spring 1/4 in. Dia.
13	908065	1	Pin, Hitch, 1/2 x 4-3/4
14	42.1560001	2	Bungee Cord, Bag Pan

# 11.02 Remote Bag Boom Pendant



42-0800224

## 11.02 Remote Bag Boom Pendant

Item	Part No.	Quantity	Description
1	NSS	1	Enclosure
2	NSS	1	Legend Plate
3	42.0801198	2	Proportional Rocker Switch
4	42.0801199	3	Toggle Switch, SPDT, Momentary, Sealed
5	42.0801200	1	IDEC E-Stop, 16mm, 2.N.C.
6	NSS	1	Cable
7	42.0801201	3	Toggle Switch Seat, 15/32 in.
8	NSS	1	Molex Minifit Jr Receptical, 5 Pin
9	NSS	10	Molex Minifit Socket, 18-24 AWG Gold
10	NSS	1	Molex Minifit Jr Plug, 5 Pole
11	NSS	10	Molex Terminal minifit Pin, 18-24 AWG Gold



# Part Number Index

The Part Number Index is a numeric index of all part numbers included in this manual. The index shows what page(s) the part is used on.

Part Number	Page	Part Number	Page	Part Number	Page	Part Number	Page
01.73844	193	09.74201	209	21.21624	143	21.22762	135
05.73120	9	11.77120	193	21.21655	187	21.22765	135
07.05114	209	11.80528	103	21.21693	279	21.22766	135
07.06550	251	11.80529	103	21.21729	123	21.22767	135
07.08287	211	11.80530	103	21.21832	43	21.22768	135
07.08400	179	11.80537	103	21.21842	119	21.22769	136
07.08918	211	11.80538	103	21.21884	79	21.22770	136
07.09563	175	11.80539	93, 103	21.22040	243	21.23212	149
07.10263	211	11.80540	103	21.22531	255	21.23477	115
07.10307	209	11.80555	51, 171	21.22532	255	21.23500	136
07.10310	211	12.10157.7	179	21.22533	255, 267	21.23501	136, 151
07.10341	209, 211	12.10167	179	21.22534	255	21.23540	75
07.10353	209, 211	16.20178	85	21.22535	255	21.23548	161
07.10366	211	16.20179	87	21.22536	249, 255	21.23696	123
07.11259	209	16.20181	87	21.22537	255, 259	21.23697	121
07.11639	209	17.00750	81, 175	21.22538	255	21.23842	135
07.11691	265	21.00052	69	21.22539	255	21.23844	135, 151
07.11695	209, 211	21.00053	69	21.22540	249, 255	21.23845	135
07.11696	261	21.00064	69	21.22541	255	21.23848	123
07.11697	53	21.00094	111	21.22542	255	21.23849	123
07.11770	211	21.00110	107	21.22543	255	21.23850	123
07.13032	209	21.00116	111	21.22544	255, 267	21.23854	151
07.13368	209, 211	21.00167	43	21.22545	255	21.23917	71
07.13400	211	21.00265	103	21.22546	255	21.24074	149
07.15046	209	21.00349ZJ	217	21.22547	255	21.24075	149
07.15790	209	21.00354	65	21.22548	255, 259	21.24076	149
07.16542	43, 53	21.00361	189, 279	21.22549	249, 255	21.24166	73
07.17210	43, 51, 171	21.00362	189, 279	21.22550	255	21.24199	129
07.17213	211	21.00370	43, 261	21.22551	255	21.24200	129
07.17270	209	21.00955	131	21.22552	255	21.24204	129
07.17537	209	21.00962	249, 255	21.22553	249, 255	21.24208	129
07.17539	209	21.00963	255	21.22559	249, 255	21.24209	129
07.17540	209	21.00976	249	21.22618	143	21.24210	129
07.17578	251	21.00981	249	21.22619	143	21.24211	145
07.17764	81, 175	21.01002	255	21.22620	143	21.24212	145
07.17827	209	21.01012	255	21.22645	167	21.24246	139, 259
07.17837	209	21.01013	255	21.22647	167	21.24493	9
07.17862	11, 15, 19, 23, 89, 189, 261, 269	21.01014	255, 267	21.22649	167	21.24655	133
		21.01015	255, 259	21.22650	167	21.24711	243
07.17863	265	21.09024	85	21.22651	167	21.24830	129
07.17893	209	21.09025	85, 87	21.22653	167	21.24831	145
07.17911	55, 201, 205, 217, 277, 279	21.09045	85, 87	21.22654	167	21.24842	287
		21.20068	135	21.22655	167	21.24850	243
07.17943	217	21.20126	249, 255	21.22658	167	21.24920	153
07.17945	229	21.20127	249, 255	21.22659	167	21.25085	111
07.19006	93, 269	21.20425	111	21.22663	167	21.25089	119, 121
07.20005	211	21.20482	119	21.22669	167	21.25095	139
09.70765	179	21.20483	121	21.22670	167	21.25108	153
09.70771	219	21.20599	265	21.22671	119, 147	21.25109	153
09.70791	191	21.20801	71	21.22672	167	21.25115	153
09.70941	89, 171, 199, 265	21.20802	71	21.22674	167	21.25116	153
09.71756	43	21.20848	261	21.22682	255	21.25117	153
09.72003	9, 37	21.20849	261	21.22683	255	21.25132	135
09.73504	35	21.20850	261	21.22723	255	21.25237	117
09.73803	53	21.20878	261, 265	21.22724	255	21.25450	85
09.74113	43, 89, 91, 265	21.20879	261, 265	21.22725	249, 255	21.25589	117
09.74123	271	21.20881	261	21.22726	255	21.25590	117, 119, 121
09.74125	217	21.20917	243	21.22738	199	21.25591	117
09.74126	65	21.20947	43, 261	21.22746	135	21.25592	117
09.74127	65, 217	21.20948	43	21.22747	135	21.25593	117, 121
09.74134	93, 113	21.20949	43, 51, 171	21.22748	135	21.25594	117, 121
09.74136	99	21.21112	261	21.22749	136	21.25595	117, 119, 121
09.74138	101	21.21113	261	21.22750	135	21.25596	117
09.74142	265	21.21115	261	21.22751	135	21.25597	117
09.74145	31, 33, 51, 181, 267	21.21131	85, 87	21.22752	135	21.25598	117
		21.21185	123	21.22753	135	21.25599	117
09.74147	189	21.21200	123	21.22754	135	21.25600	117
09.74149	97, 181, 221, 271	21.21262	171	21.22755	135	21.25601	117, 121
09.74150	31, 271	21.21460	267	21.22759	135	21.25602	117
09.74155	51, 57, 181, 189, 267, 279	21.21497	135	21.22760	136	21.25603	117
		21.21623	117	21.22761	135	21.25604	117



# Part Number Index (continued)

Part Number	Page	Part Number	Page	Part Number	Page	Part Number	Page
21.25605	117, 121	21.25697	135	21.52434	285	32.04374	103
21.25606	117	21.25698	135	21.52435	285	32.04386	217
21.25607	117	21.25699	135	21.52436	285	32.04572	73, 77
21.25608	117	21.25700	135	22.94160	247	32.04590	93
21.25609	117	21.25703	139	32.00274	267	32.04648	89
21.25610	117	21.25704	139	32.00698	93, 261	32.04687	9, 271
21.25611	117	21.25705	139	32.00785	261	32.04712	277
21.25612	117	21.25707	139	32.00941	261	32.04900	103
21.25613	119	21.25725	141, 149	32.01480	103	32.05562	104
21.25614	119	21.25735	149	32.01481	103	32.60001	93, 171
21.25615	119	21.25736	149	32.01482	103	32.60003	113, 169, 261
21.25616	119	21.25741	147	32.01483	103	32.60005	89
21.25617	119	21.25742	147	32.01484	103	32.60010	89, 199, 279
21.25618	119	21.25744	147	32.01485	103	32.60016	103
21.25619	119	21.25745	147	32.01486	103	32.60017	103
21.25620	119	21.25746	147	32.01487	103	32.60018	103
21.25621	119	21.25747	149	32.01488	103	32.60249	217
21.25622	119	21.25748	149	32.01489	103	32.60356	109
21.25623	119	21.25749	149	32.01490	103	32.60358	113
21.25624	119	21.25750	149	32.01491	103	32.60378	113
21.25625	119	21.25751	149	32.01492	103	32.60381	93
21.25626	119	21.25752	149	32.01493	103	32.60386	97, 99
21.25627	119	21.25753	149	32.01494	103	32.60387	101
21.25628	119	21.25754	149	32.01495	103	32.60388	71, 243
21.25629	119	21.25755	149	32.01496	103	32.60427	131
21.25630	119	21.25756	149	32.01497	103	32.60566	43
21.25631	119	21.25757	149	32.01498	103	32.60567	53
21.25632	119	21.25758	149	32.01602	101	32.60583	95
21.25633	119	21.25765	153	32.01605	101, 109	32.60598	107
21.25634	119, 147	21.25766	153	32.01606	109	32.60608	71
21.25635	119	21.25767	153	32.01607	101	32.60628	271
21.25636	121	21.25768	153	32.01921	171	32.60679	109
21.25637	121	21.25770	153	32.01940	65, 217, 269	32.60716	53
21.25638	121	21.25824	155	32.01941	43, 51, 65, 261, 271	32.60723	93
21.25639	121	21.25825	155			32.60724	93, 103
21.25640	121	21.25826	155	32.01945	51, 217, 271	32.60725	103
21.25641	121	21.25827	155	32.01947	269	32.60732	101, 103
21.25642	121	21.25828	159	32.01948	11, 15, 19, 23, 51, 217, 271	32.60735	103
21.25643	121	21.25829	161			32.60739	53
21.25644	121	21.25830	161	32.01955	51, 261	32.60740	53, 261
21.25645	123	21.25831	161	32.01956	217	32.60753	245
21.25646	123	21.25832	165	32.01957	217	32.60755	93
21.25647	125	21.25833	165	32.02002	267	32.60761	253
21.25649	125	21.25834	165	32.02033	269	32.60764	253
21.25650	125	21.25835	165	32.02089	171, 277, 279	32.60769	253
21.25651	125	21.25836	165	32.02101	221, 269, 277, 279	32.60792	229
21.25652	125	21.25837	165			32.60802	103
21.25653	125	21.25838	165	32.02103	51, 201, 261	32.60861	93
21.25654	125	21.25839	165	32.02370	103	32.60886	255
21.25655	125	21.25840	165	32.02512	65	32.60887	256
21.25656	125	21.25841	165	32.02629	89	32.61053	71, 169
21.25660	127, 151, 153, 157, 163	21.25842	165	32.02638	261	32.61157	93
		21.25998	125	32.02639	65	32.61415	167
21.25661	127	21.30210	261	32.02641	217	32.61416	167
21.25662	127	21.30278	261	32.02943	87	32.61417	167
21.25673	131	21.30313	255	32.02949	103	32.61418	167
21.25674	131	21.30776	139	32.03049	271	32.61419	167
21.25675	131	21.30779	117	32.03057	271	32.61420	167
21.25677	133	21.31406	51, 69	32.03084	189, 279	32.61421	167
21.25678	133	21.32122	277, 279	32.03085	189, 279	32.61422	167
21.25679	133	21.32123	277, 279	32.03090	65	32.61423	167
21.25680	133	21.32124	277, 279	32.03190	261	32.61424	167
21.25683	135	21.41944	111	32.03307	103	32.61425	167
21.25684	135	21.41954	149	32.03720	111	32.61426	167
21.25685	135	21.41971	107	32.03762	65	32.61427	167
21.25686	135	21.42085	261	32.03793	57, 65, 265	32.61428	167
21.25688	135	21.42095	85	32.03794	269	32.61512	149
21.25689	135	21.42585	261	32.03893	261	32.61514	149
21.25690	135	21.46522	71	32.03975	269	32.61653	151
21.25691	135	21.47204	51, 69	32.03976	269	32.61654	151
21.25692	136	21.48441	107, 161	32.03995	57, 265	32.61655	151
21.25693	135	21.52432	285	32.04092	51	32.61656	151
21.25696	135	21.52433	285	32.04256	215	32.61657	151



# Part Number Index (continued)

Part Number	Page	Part Number	Page	Part Number	Page	Part Number	Page
32.61658	151	32.61825	115	42.0800184	111	42.0800512	47
32.61660	151	32.61826	115	42.0800185.5	111	42.0800517	217
32.61661	151	32.61872	111	42.0800186.5	111	42.0800519	227
32.61662	151	32.61873	111	42.0800189	107	42.0800520	227
32.61663	117, 139, 151, 161, 165	32.61874	111	42.0800213	225	42.0800522	195
32.61664	151	32.61875	111	42.0800214	111	42.0800542	109
32.61665	147	32.61943	103	42.0800215	111	42.0800543	107
32.61666	147	32.62166	43	42.0800222	209	42.0800551	259
32.61667	147	322848B1	201	42.0800223	95	42.0800555	277
32.61668	147	331096B2	87	42.0800224	287	42.0800558	253
32.61669	147	336977B1	223	42.0800236	171	42.0800559	253
32.61670	147	340077B1	223	42.0800244	39	42.0800562	253
32.61673	147	40.00147	65, 217	42.0800245	65	42.0800563	253
32.61674	147	40.00472	85, 87, 201	42.0800247.5	65	42.0800564	253
32.61675	147	42.0000180	27	42.0800248.5	65	42.0800565	253
32.61676	147	42.0000262	27	42.0800249	55	42.0800571	193
32.61677	147	42.0000498	27	42.0800250.5	217	42.0800572	201
32.61678	147	42.0000501	27	42.0800252	89	42.0800573	201
32.61679	147	42.0000502	27	42.0800253	269, 279	42.0800574	201
32.61680	147	42.0000503	27	42.0800254	221	42.0800575	201
32.61681	147	42.0000506	27	42.0800260	169	42.0800576	202
32.61682	147	42.0000511	27	42.0800271	79	42.0800577	202
32.61683	147	42.0000512	27	42.0800272	217, 261	42.0800578	202
32.61684	147	42.0000514	27	42.0800275	73	42.0800579	202
32.61685	147	42.0000516	27	42.0800279	75	42.0800580.5	207
32.61686	147	42.0000518	28	42.0800285.5	111	42.0800581	193
32.61721	127	42.0000521	27	42.0800286.5	113	42.0800584	57
32.61722	127	42.0000527	27	42.0800296	73	42.0800586	113
32.61723	127	42.0000528	27	42.0800297	73	42.0800603	71, 243
32.61724	127	42.0000531	28	42.0800298	73	42.0800605	111
32.61725	127	42.0000534	27	42.0800308	175	42.0800606	95
32.61726	127	42.0000537	27	42.0800310	175	42.0800607	95
32.61727	127	42.0000538	27	42.0800311	175	42.0800608	111
32.61728	127	42.0000539	27	42.0800315	185	42.0800611	279
32.61729	127	42.0000540	28	42.0800323	169	42.0800612	39
32.61743	159	42.0000541	28	42.0800327	215	42.0800618	243
32.61745	159	42.0000544	27	42.0800329	175	42.0800622	57
32.61746	136, 159	42.0000545	27	42.0800332	175	42.0800630	75
32.61747	161	42.0000548	27	42.0800336	175	42.0800633	265
32.61748	161	42.0000551	27	42.0800339	213	42.0800673	69
32.61749	161	42.0000686	189, 267	42.0800349	51	42.0800675	69
32.61752	141, 149, 155, 161	42.0700872	9	42.0800350	51	42.0800679	75
32.61753	161	42.0701537	41	42.0800351	177	42.0800695	75
32.61754	155	42.0800002	51	42.0800369	55	42.0800697	9, 37
32.61755	155	42.0800019	225	42.0800372	69	42.0800699	107
32.61757	155	42.0800020	225	42.0800373	215	42.0800704	225
32.61759	155	42.0800021	57	42.0800385	215	42.0800705.5	113
32.61760	155	42.0800057	107	42.0800386	9	42.0800706.5	113
32.61761	155	42.0800083	169	42.0800390	9	42.0800715	189, 267
32.61762	155	42.0800084	169	42.0800392	215	42.0800717	201
32.61763	155	42.0800085	169	42.0800393	169	42.0800719	199
32.61764	155	42.0800086	51	42.0800396	169	42.0800720	201
32.61765	119, 141, 155	42.0800087	51	42.0800401	89	42.0800721	31, 33, 181
32.61766	139, 155	42.0800088	51	42.0800406.8	261	42.0800722	267
32.61767	155	42.0800089	51	42.0800411	73	42.0800723	189, 267
32.61769	155	42.0800091	51	42.0800412	47	42.0800727	277
32.61770	155	42.0800092	57	42.0800413	47	42.0800728	277
32.61771	155	42.0800094	199	42.0800415	47	42.0800733.5	217
32.61773	155	42.0800095	199	42.0800424.5	221	42.0800778	171
32.61774	155	42.0800103	199	42.0800435	217	42.0800779	57, 113
32.61775	155	42.0800104	185	42.0800436	217	42.0800780	57, 247
32.61776	155	42.0800107	185	42.0800444	53	42.0800783	57, 281
32.61777	155	42.0800127	199	42.0800445	53	42.0800785	75
32.61778	157, 163	42.0800130	199	42.0800449	55	42.0800790	217
32.61779	157, 163	42.0800133	81	42.0800451	77	42.0800791	207
32.61780	157, 163	42.0800134	113	42.0800454	77	42.0800798	265
32.61781	163	42.0800135	247	42.0800458.8	77, 83	42.0800799	65, 217
32.61782	157	42.0800136	279	42.0800470	75	42.0800800	217
32.61815	115	42.0800137	277	42.0800473	75	42.0800816	47
32.61817	115	42.0800171	75	42.0800480	75	42.0800817	47
32.61824	115, 153	42.0800181	107	42.0800481	89	42.0800835	219
		42.0800182.5	111	42.0800485	77	42.0800836	11, 15, 19, 23
		42.0800183	111	42.0800507	261	42.0800849	11, 15, 19, 23





# Part Number Index (continued)

Part Number	Page	Part Number	Page	Part Number	Page	Part Number	Page
42.0800854	225	42.0801123	249	42.0801206	231, 233	42.0801337	53
42.0800861	35	42.0801124	249	42.0801210	237	42.0801338	53
42.0800866	35	42.0801129	249	42.0801212	237	42.0801339	53
42.0800867	265	42.0801130	249	42.0801213	237	42.0801340	47
42.0800881	79	42.0801131	247	42.0801218	233	42.0801341	47
42.0800883	79	42.0801132	247	42.0801219	233, 235, 239	42.0801342	47
42.0800886.8	79	42.0801133	247	42.0801220	233	42.0801343	111
42.0800888.8	79	42.0801134	247	42.0801221	239	42.0801344.5	47
42.0800892	79	42.0801135	249	42.0801222	239	42.0801345.5	47
42.0800894	217	42.0801136	249	42.0801224	239	42.0801346.5	9
42.0800895	261	42.0801137	249	42.0801225	239	42.0801349	47
42.0800896	79	42.0801138	249	42.0801226	239	42.0801350	43
42.0800903	225	42.0801139	249	42.0801227	239	42.0801351	47
42.0800904	225	42.0801140	249	42.0801228	239	42.0801352	47
42.0800907	227	42.0801141	249	42.0801229	239	42.0801353	47
42.0800908	227	42.0801142	85	42.0801232	235	42.0801355	47
42.0800911	75	42.0801143	47	42.0801234	241	42.0801358	47
42.0800912	75	42.0801144	47	42.0801235	241	42.0801359	89
42.0800913	75	42.0801145	247	42.0801236	241	42.0801360	71
42.0800914	75	42.0801146	247	42.0801237	241	42.0801361	69
42.0800915	75	42.0801147	247	42.0801238	241	42.0801364	69
42.0800916	75	42.0801148	251	42.0801239	241	42.0801366	69
42.0800918	75	42.0801149	251	42.0801240	241	42.0801367	43
42.0800919.5	75	42.0801150	251	42.0801241	241	42.0801369	51
42.0800924.5	75	42.0801151	251	42.0801244	57	42.0801370	43
42.0800943	223	42.0801152	251	42.0801245	57	42.0801371	43
42.0800945	223	42.0801158	57, 281	42.0801246	57	42.0801372	43
42.0800958.8	183	42.0801159	57, 281	42.0801247	57	42.0801373	43
42.0800964	183	42.0801160	57, 281	42.0801248	61	42.0801374	43
42.0800971	45	42.0801161	59, 253	42.0801249	61	42.0801375	43
42.0800985	245	42.0801162	57	42.0801250	61	42.0801376	43
42.0800989	245	42.0801163	55	42.0801251	61	42.0801377	43
42.0800991	209	42.0801164	55	42.0801252	61	42.0801387.5	57
42.0800992	83	42.0801165	55	42.0801253	61	42.0801390	219
42.0800995	83	42.0801166	55	42.0801254	63	42.0801394	43
42.0801013	243	42.0801167	55	42.0801255	63	42.0801397	43
42.0801018	273	42.0801168	65	42.0801256	63	42.0801402	171
42.0801019	273	42.0801169	65	42.0801257	63	42.0801403	89
42.0801022	71	42.0801170	65	42.0801258	63	42.0801408	283
42.0801023	71	42.0801171	65	42.0801259	59	42.0801409	283
42.0801024	91	42.0801172	65	42.0801260	59	42.0801414	283
42.0801025	91	42.0801173	277, 279	42.0801261	59	42.0801416	269
42.0801026	91	42.0801174	65	42.0801262	59	42.0801417	217
42.0801027	91	42.0801175	65	42.0801263	59	42.0801421	283
42.0801028	91	42.0801176	65	42.0801264	59	42.0801423	283
42.0801030	243	42.0801177	65	42.0801270	43	42.0801425	227
42.0801031	243	42.0801178	66	42.0801276	193	42.0801426	231
42.0801032	83	42.0801179	66	42.0801284	221	42.0801427	235
42.0801033	273	42.0801180	66	42.0801285	221	42.0801428	237
42.0801034	274	42.0801181	201	42.0801286	221	42.0801429	237
42.0801035	274	42.0801182	201	42.0801287	221	42.0801430	237
42.0801036	209	42.0801183	201	42.0801288	221	42.0801431	237
42.0801039	275	42.0801185	201	42.0801291	101	42.0801432	237
42.0801040	275	42.0801186	173	42.0801294	233	42.0801433	237
42.0801051	274	42.0801187	173	42.0801299	229	42.0801434	239
42.0801052	274	42.0801188	173	42.0801302	217	42.0801435	241
42.0801053	271	42.0801189	173	42.0801303	243	42.0801436	241
42.0801057	275	42.0801190	173	42.0801304	85	42.0801438	229
42.0801058.5	39	42.0801191	173	42.0801305	193	42.0801440	229
42.0801059	39	42.0801192	173	42.0801306	193	42.0801442	287
42.0801061	83	42.0801193	173	42.0801308.5	65	42.0801443	287
42.0801064	11, 19	42.0801194	173	42.0801309	65	42.0801444	227
42.0801066	99, 101	42.0801195	173	42.0801310.5	45	42.0802060.8	197
42.0801067	101	42.0801196	173	42.0801319.5	73	42.0802110.8	33
42.0801072	274	42.0801197	173	42.0801322.5	45	42.0802112.8	31
42.0801073	273	42.0801198	289	42.0801323	47	42.0802116.8	31, 33
42.0801074	275	42.0801199	289	42.0801324	53	42.0802125.8	9
42.0801075	275	42.0801200	289	42.0801326.5	53	42.0802129	191
42.0801087.8	191	42.0801201	289	42.0801327	51	42.0802202	187
42.0801097	87	42.0801202	231	42.0801328.5	73	42.0802203	187
42.0801107	229	42.0801203	231	42.0801329.5	73	42.0802205	47
42.0801116	253	42.0801204	231	42.0801335	47	42.0802212.5	191
42.0801120	185	42.0801205	231, 233, 237	42.0801336	47	42.0802213	85, 87



# Part Number Index (continued)

Part Number	Page	Part Number	Page	Part Number	Page	Part Number	Page
42.0802219A	287	42.0901195	273	42.1120531	287	42.1520342	223
42.0802220A	287	42.0901196	273	42.1201000	11, 15, 19, 23	42.1520672	223
42.0802221.5	225	42.0901197	274	42.1201012.8	11, 15, 19, 23	42.1520794.8	171
42.0802222.5	225	42.0901212	273	42.1201018.5	11, 15, 19, 23	42.1520795	171
42.0802223	261	42.0901213	274	42.1201020	201	42.1530028	87
42.0802236.8	187	42.0901223	223	42.1201021	11, 15, 19, 23	42.1530054	87
42.0802239.5	269	42.0901227	223	42.1201023	11, 15, 19, 23,	42.1530126	87
42.0802243.8	187	42.0901229	221, 223		201	42.1540061	53
42.0802244.8	187	42.0901232.5	221	42.1201203.8	11, 15, 19, 23	42.1540065	53
42.0802249	189	42.0901287	9	42.1202050	9	42.1540167	217
42.0802252	259	42.0901312	201	42.1202051	9	42.1540321	11, 15, 19, 23
42.0802265	85	42.0901324.5	225	42.1202059	229	42.1540355	11, 15, 19, 23
42.0802266	41	42.0901325	225	42.1206076	191	42.1540388	43
42.0802271.8	11	42.0901326	225	42.1206093	201	42.1540405	217
42.0802272.8	15	42.0901332	225	42.1212008	181, 189, 199	42.1540407	89, 109, 261, 265
42.0802274.8	23	42.0901355	201	42.1212013	183	42.1540506	43
42.0802275.8	19	42.0901357	223	42.1212015	267	42.1540551	65
42.0802281.8	187	42.0901385	269	42.1212016	267	42.1540581	267
42.0802283.8	187	42.0901408	205	42.1500058	89	42.1540591	9, 271
42.0802289.8	187	42.0901411	267	42.1500238	31, 33, 181	42.1540623	217
42.0802290.8	187	42.0901476	37	42.1500598	169	42.1540712	93
42.0802291	221, 223	42.0901477	37	42.1500940	169	42.1540750	271
42.0802301	211	42.0901478	37	42.1501038	91, 287	42.1541109.8	189
42.0802304	191	42.0901491	193	42.1501077	71, 243	42.1541123	269
42.0900277	273	42.0901492	193	42.1501107	28	42.1541251	93, 271
42.0900278	273	42.0901503	201	42.1501178	11, 12, 15, 16,	42.1541252	271
42.0900279	273	42.0901505	261		19, 20, 23, 24	42.1541405	93, 95, 97, 99,
42.0900282	273	42.0901539	169	42.1501180.8	11, 15, 19, 23		271
42.0900283	273	42.0901980	205	42.1501181	11, 15, 19, 23	42.1541416	104
42.0900284	273	42.0901981	205	42.1501184.8	15, 23	42.1541455	47
42.0900285	273	42.0902023	205	42.1501185	11, 15, 19, 23	42.1541540	93
42.0900301	273	42.0902024	205	42.1501189	11, 15, 19, 23	42.1541541	93
42.0900302	273	42.1010057.8	11, 15, 19, 23	42.1501190	11, 15, 19, 23	42.1541716	43, 89, 265
42.0900305	274	42.1010058	11, 15, 19, 23	42.1501192	93	42.1541726	271
42.0900307	274	42.1010088.8	31, 33	42.1501204	71, 243	42.1541728	271
42.0900313	274	42.1020009	221	42.1501309	53	42.1541757	217
42.0900314	274	42.1020035	221	42.1501401	191	42.1541773	171
42.0900316	274	42.1020049	219	42.1501456	113	42.1541795	181, 189, 199
42.0900317	273	42.1020064	223	42.1501476	93	42.1541825	199
42.0900320	274	42.1020072	223	42.1501508	243	42.1541826	199
42.0900323	274	42.1020075	223	42.1501514	113	42.1541901	221
42.0900324	274	42.1030090	269	42.1501515	113	42.1541926.5	171
42.0900331	273	42.1030091	269	42.1501528	41	42.1541961	57
42.0900332	273	42.1060156	205	42.1501529	107	42.1541974	201
42.0900333	273	42.1060156.5	269	42.1501549	249	42.1541978	57
42.0900334	273	42.1060163	269	42.1501568	249	42.1541979	57
42.0900460	243	42.1060177	201	42.1501589	113	42.1542091	31, 33, 181, 199,
42.0900461	243	42.1060178	201	42.1501590	113		201
42.0900462	243	42.1080000	169	42.1501591	113	42.1550102	169
42.0900463	243	42.1080004	215	42.1501592	113	42.1550151	11, 15, 19, 23
42.0900572	107	42.1080024	169	42.1501593	113, 249	42.1550172	9, 191
42.0900820	85, 87	42.1080048	181	42.1501761	87	42.1550184	191
42.0900821	85, 87	42.1080054	215	42.1501816	71, 243	42.1550301	287
42.0900837	87	42.1080087.8	181	42.1501891	229	42.1550332	45
42.0900889	57, 281	42.1080137	169	42.1501967	47	42.1550360	11, 15, 19, 23
42.0900890	57, 281	42.1080139	169	42.1501968	53	42.1550380	11, 15, 19, 23
42.0900891	281	42.1080182	169	42.1502012	27	42.1550381	11, 15, 19, 23
42.0901049	211	42.1080206	215	42.1502065	27	42.1550411	11, 15, 19, 23
42.0901052	205	42.1080218.8	171	42.1502067	27	42.1550421	27
42.0901055	205	42.1080219	171	42.1502137	12, 16, 20, 24	42.1550436	83, 185, 187
42.0901072	211	42.1080220	171	42.1502152	149	42.1560000	287
42.0901073	221	42.1080221	177	42.1502196	27	42.1560001	287
42.0901077	211	42.1080222	177	42.1502197	27	42.1560004	287
42.0901079	211	42.1100046	267	42.1510031.8	169	42.1590058	191, 269
42.0901080	211	42.1100063	277	42.1510037	223	42.1590059	191, 269
42.0901092	275	42.1100094	269	42.1510037.8	221	42.1590063	201
42.0901093	275	42.1110018	35	42.1510056	81	44.01812	245
42.0901179	219	42.1120007	215	42.1510205	229	44.03172	43
42.0901187	274	42.1120046	35	42.1510206	229	44.03598	135
42.0901189	274	42.1120058	221	42.1510207	229	44.03599	135
42.0901190	274	42.1120074	223	42.1510210	219	44.03607	135
42.0901191	274	42.1120496	219	42.1510251	169	44.03613	135
42.0901192	274	42.1120512	9	42.1520104	171	44.03712	251



# Part Number Index (continued)

Part Number	Page	Part Number	Page	Part Number	Page	Part Number	Page
44.03716	251	902894	179	907203	201, 205	907482	189
44.03717	251	902903	175	907210	109	907488	43, 213, 229
44.21691	53	902920	47, 213, 215	907219	85, 87	907494	89, 193, 209
44.22205	113	902928	55, 217	907220	85, 87	907496	271
44.22956	141	903033	187	907225	85, 87	907510	85, 87
44.25781	9	903061	45	907233	75	907525	113
46.04709	95, 171	903096	101	907234	51, 75, 95, 189,	907532	31, 33
46.10194	47	903162	201, 205		209, 267	907533	73, 75, 183, 215
65.10122	179	903300	207	907248	185, 187, 219,	907553	31, 33
65.10125	179	903306	55, 93, 107, 185,		227	907557	171, 271
900126	205		187, 201, 213	907266	51	907558	69, 75
900137	43	903437	11, 15, 19, 23	907290	113	907563	47
900360	11, 15, 19, 23	903518	79, 89, 169, 171	907291	113	907565	47
900361	171	903689	225	907292	113	907568	73
900363	71	903690	225	907298	11, 15, 19, 23	907589	45
900366	175, 213, 223	903693	47, 79, 215	907311	243	907592	89
900369	79, 207	903699	201	907312	243	907594	93, 169, 185,
900371	11, 15, 19, 23	903832	221, 223	907322	95, 215		187, 213, 225
900372	171	903848	65, 77, 93, 169,	907337	75	907600	183, 225
900445	39		225, 279	907348	113, 243	907613	71, 201
900493	39, 187, 189	903849	181	907349	57, 69, 77, 95,	907614	69, 75
900494	9, 73, 211, 225	903851	39, 51, 211		97, 99, 262	907615	75
900495	9, 77, 83, 169,	903856	83	907376	183	907617	9
	193, 205, 213,	903901	95	907379	51, 69, 71, 73,	907621	189, 209, 245
	215, 229	903937	83, 193		75, 95, 187, 209,	907625	77, 211
900497	55, 79, 107, 207,	904092	39, 187, 189		262	907626	215
	269	904172	75	907380	47, 75, 187, 262	907627	269
900498	47, 71, 221	904218	177	907384	75	907629	191
900499	43, 171, 223	904219	193	907386	47	907637	189, 209
900502	79, 211, 217	904246	39, 81, 175	907389	51, 69, 75, 189,	907639	187
900503	43, 73, 169, 211,	904253	45, 57, 65		201, 209, 215,	907647	191
	215	904324	39, 69, 97, 99,		225	907658	57
900504	31, 33, 171, 201,		101, 109	907390	39, 47, 57, 69,	907693	227
	205, 223, 269	904342	185		71, 73, 75, 95,	907695	65
900506	11, 15, 19, 23,	904343	71		169, 187, 215	907699	109
	37, 53, 65, 201	904464	39, 73	907391	51, 53, 69, 73,	907702	113
900508	11, 15, 19, 23,	904520	225		75, 183, 187	907715	219
	43, 171, 181, 229	904814	43, 45, 55, 213	907392	47, 73, 79, 175,	907726	9
900509	81, 175	904863	75, 79, 217		185, 187, 199	907727	9
900512	261	905050	169	907395	47, 73, 89, 185,	907733	227
900514	201	905069	101, 109		187	907742	269
900529	11, 15, 19, 23	905383	171	907397	83	907768	83
900537	269	905501	169, 223, 269	907399	55, 89, 185, 187,	907775	277, 279
900538	31, 33, 191	905524	113		207, 225, 265	907779	183, 217, 225,
900655	181	905546	193	907403	39		279
900700	31, 33	905786	179	907411	57, 209, 262	907781	171
900844	171	906349	43, 45, 83, 185,	907412	65, 262	907798	89
900920	171		187, 223	907417	71, 95	907801	89
901105	47, 79, 93, 171,	906397	193	907419	47, 57, 65	907802	95
	175, 223	906400	9, 11, 15, 19, 23,	907423	271	907804	199, 219
901181	179		47, 77, 79, 83,	907424	47, 73, 79, 185,	907821	251
901182	179		93, 169, 177,		187	907825	189
901264	221		193, 201, 215,	907425	187, 261	907830	229
901296	11, 15, 19, 23,		225	907427	31, 33, 181, 189,	907835	219
	225	906401	83, 89, 107, 169,		199, 201, 267	907850	227
901619	47, 171		171, 207, 217,	907428	71	907857	107
901763	169		219, 221, 223,	907432	57	907866	185, 187
901892	179		227, 269	907434	71	907878	57
901937	53, 65, 213	906402	177, 213, 221,	907440	193	907893	185, 187
902050	65, 221, 225, 265		223	907444	71	907912	267
902300	77, 79, 83, 171,	906483	9, 73, 97, 99,	907454	169	907940	45
	193, 223		101, 109, 213,	907455	215	907949	287
902364	205		215, 225	907457	71, 215	907954	75
902367	31, 33, 51, 75,	906507	11, 15, 19, 23	907458	267, 271	907961	12, 16, 20, 24
	175, 177, 183,	906811	171	907462	215	907963	95
	193, 217, 225	906963	45	907463	51, 209	907965	227
902408	179	907057	183	907464	57, 169	907966	229
902410	179	907060	225	907465	51, 53, 65, 73,	907967	229
902636	169	907076	37		75, 79, 215	907969	12, 16, 20, 24
902675	269	907111	111	907466	79, 175	907973	271
902859	101, 109, 211	907146	171	907467	73, 75	907983	73
902884	83	907157	71	907468	73, 75	907984	51, 73, 79
902893	179	907172	71	907469	75	908008	267



# Part Number Index (continued)

Part Number	Page	Part Number	Page
908011	261		235, 237, 239,
908065	195, 197, 287		241, 289
908077	261		
908078	261		
908082	104		
908083	95		
908085	65		
908086	65		
908087	55		
908088	65		
908089	65		
908090	55		
908092	217		
908096	265		
908131	271		
908132	217, 261		
908133	217		
908138	55		
908142	48		
908144	12, 16, 20, 24		
908147	111		
908152	9, 37		
908156	215		
908157	9, 37		
908160	245		
908163	171, 211		
908164	43		
908171	185, 187		
908179	199		
908191	57		
908192	57		
908215	193		
908234	251		
908281	43		
908402	113		
908405	48		
908406	48		
908420	251		
908421	199		
908435	71		
908444	81		
908466	113		
908468	93, 95, 97, 99, 271		
908469	99, 101, 109		
908472	113		
908473	95, 99		
908474	95		
908476	43		
908477	71, 93, 271		
908478	99, 109		
908479	93, 95, 97, 99, 271		
908480	9, 12, 16, 20, 24, 101, 109, 271		
908481	93		
908488	113		
908489	91		
908490	91		
908491	99		
908493	107		
908507	227		
908513	69		
908521	227		
908542	271		
908560	9		
908625	221, 223		
908654	227		
N/A	27, 28		
NLA	65		
NSS	9, 37, 135, 147, 173, 231, 233,		



# Part Description Index

The Part Description Index is an alphabetical index of all part descriptions included in this manual. The index shows what page(s) the part is used on.

(2nd Line Down Along Top Of Frame).....273	(Rotate In Valve Top Port To Cylinder Base).....201	Adapter, 2 in. MPT x 2 in. MJIC.....261
(2nd Line Up Along Top Of Frame).....273, 275	(Rotate Out Valve Bottom Port To Cylinder Rod End).....201	Adapter, 3/4 F JIC To 1/2 M JIC.....11, 15, 19, 23, 51, 271
(Along Frame Between Cylinders).....274	(Tee At Item 19 Toward Cab End).....274	Adapter, 3/4 F Jic To 1/2 M Jic.....217
(Along Top Of Cab End Frame To Bulkhead).....275	(Top Line Along Top Of Frame).....273	Adapter, 3/4 F Jic To 1/4 M Jic.....217
(Along Top Of Frame).....274	(Top Valve To Item 44).....274	Adapter, 3/4 in. Code 61 x -12 MJIC.....55
(Bag Pan From Divider Toward Engine End).....274	(Top Valve To Line Body For Anchor (Runs With Item 31).....274	Adapter, 3/4 MJIC x -16 ORB.....51, 261
(Bag Pan Lines Under Hopper To Divider).....273	(Winch Down Valve Bottom Port To Winch Motor Top Port).....201	Adapter, Black Bruin 12f4omxs.....11, 15, 19, 23
(Bag Pan Lines Under Hopper To Tee).....273	(Winch Up Valve Top Port To Winch Motor Bottom Port).....201	Adapter, Black Bruin 8f4omxs.....11, 15, 19, 23
(Bag Pan Tee At Item 19 Toward Engine End).....274		Adapter, Breather Filter.....261
(Boom Down Valve Bottom Port To Cylinder Rod End).....202		Adapter, QJ1/4TT- NYB.....209
(Boom Extend Valve Top Port To Cylinder Base).....202		Adapter: -06 ORB x 1/2 MJIC.....279
(Boom Retract Valve Bottom Port To Cylinder Rod End).....202		Adapter: M27-3/4F8 OHGS.....43
(Boom Up Valve Top Port To Cylinder Base).....202		Adaptor - 10 ORB x 6 MJIC 90d.....279
(Bottom Line Along Top Of Frame).....273		Adjuster.....147, 151
(Bottom Valve To Item 45).....274		Adjuster, Slack.....11, 15, 19, 23
(Bottom Valve To Needle Valve).....274		Adjuster- Feedtable Roller Wld.....169
(Cab End Frame, 2nd And 4th Down (Pair With Item 6).....273		Agitator, Nylon T-10 VH Complete.....209
(Cab End Frame, 2nd And 4th Down (Pair With Item 8).....273		Air Cleaner.....47
(Cab End Frame, 3rd Down (Pair With Item 7).....273		Air Conditioning Section.....51
(Cab End Frame, Top And 3rd Down (Pair With Item 4).....273		Air Duct.....121
(Cab End Frame, Top Tunnel Side).....273		Air Duct, R.H.....115
(Cab End Jack Item 32 Tube To Bulkhead).....275		Air Duct, Blower.....117
(Cab End Jack Item 33 Tube To Bulkhead).....275		Air Filter - Charcoal.....131
(Cab End Lift Cylinder).....275		Air Filter, Recirculation.....117
(Cab End Valve Bottom To End Frame) (2nd From Top Of 4 Lines).....274		Air Fitting, 1/4 in. MPT x 3/8 in. Tube.....103
(Cab End Valve Bottom To P.O. Check).....274		Air Gauge, 150 Psi Back Mt.....113
(Cab End Valve Bottom To Steering Cylinder Hose).....274		Air Horn, Floater.....71, 243
(Cab End Valve To Feed Table Hoses (2 Per).....274		Air Vent 3/8 in. NPT (Optional).....173
(Cab End Valve Top To End Frame) (Bottom Of 4 Lines).....274		Aircoils: Basic Set 12 Ft.....287
(Cab End Valve Top To P.O. Check).....274		Alternator: QSX.....43
(Cab End Valve Top To Steering Cylinder Hose).....273		Anchor Block, Feedtable Mounting Block..181
(Divider Valve Toward Cab End).....274		Angle, Engine Cooler (top & Bottom).....75
(End Frame 2nd Line Down).....273		Angle, Engine Cooler Mount Wldmt (hinge Side).....75
(End Frame Bottom Line).....273		Angle, Engine Cooler Mount Wldmt (latch Side).....75
(End Frame Case Drain).....273		Antenna (Cab S/N 720182 & Before).....161
(End Frame Engine End Park Brake).....274		Antenna (Cab S/N 720183 & After).....161
(End Frame Engine End Top).....273		Antirotation Ring.....237
(Engine End Lift Cylinder).....275		Arm.....167
(From Tees Along Top Of Frame Engine End).....275		Arm, Steering Sensor.....39
(P.O. Check To Tee At Item 36).....274		Armrest, Machined RH Cab.....111
(P.O. Check To Tee At Item 42).....274		Asm: 8 in. Anchor Cylinder W/o Pulleys.....269
	<b>1</b>	
	1/8 in. NPT x 1/4 in. Compression Fitting...103	
	<b>2</b>	
	2 in. Dia Shaft - 1/2 in. Keyway.....173	
	<b>7</b>	
	7-Way Round Light Connector.....243	
	<b>A</b>	
	AC Compressor Switch.....121	
	AC/Heat Temperature Switch.....121	
	Actuator.....125	
	Actuator Kit.....277, 279	
	Actuator, Carl RKR Red Lens.....249	
	Actuator: Carl Rkr Red Lens.....113	
	Adapter.....125	
	Adapter - 1/2 M JIC x -16 ORB.....51, 261	
	Adapter - M12 x 1.5 1/4 in. FPT.....43	
	Adapter, -06 ORB x 1/2 M JIC.....89, 199	
	Adapter, -06 ORB x 3/8 in. MJIC.....201, 277	
	Adapter, -06 ORB x 3/8 M JIC.....55, 205, 279	
	Adapter, -06 ORB x 3/8 M Jic.....217	
	Adapter, -06 ORB x FJIC Swivel.....89	
	Adapter, -08 ORB x 1/2 in. MJIC.....267	
	Adapter, -08 ORB x 1/2 M JIC.....51, 57, 181, 189, 279	
	Adapter, -1/2 in. MJIC x -16 ORB.....201	
	Adapter, -10 ORB x 1/2 in. MJIC.....277	
	Adapter, -10 ORB x 1/2 M JIC...221, 269, 279	
	Adapter, -10 ORB x 6 MJIC, 90°.....277	
	Adapter, -12 MJIC x -10 ORB....171, 277, 279	
	Adapter, -12 Mjic x -16 Bsp...217	
	Adapter, -12 ORB x 1 in. MJIC.....65	
	Adapter, -12 ORB x 1/2 in. MJIC.....65	
	Adapter, -12 ORB x 1/2 M JIC.....269	
	Adapter, -12 ORB x 1/2 M Jic.....217	
	Adapter, -12 ORB x 3/4 in. MJIC.....65	
	Adapter, -12 ORB x 3/4 Jic Swivel.....217	
	Adapter, -12 ORB x 3/4 M Jic.....217	
	Adapter, -12 ORB x 7/8 in. MJIC.....65	
	Adapter, 1 in. MPT x -08 MJIC.....265	
	Adapter, 1-1/2 in. Code 62 x -24 MJIC.....65	
	Adapter, 1/2 F JIC x 3/8 M JIC.....271	
	Adapter, 1/2 FJIC x 1/4 MJIC.....93	
	Adapter, 1/2 FJIC x 3/8 FPT.....9, 271	
	Adapter, 1/2 M JIC To 1/2 MPT.....11, 15, 19, 23, 89, 189, 261, 269	
		<b>B</b>
		Bar: Mount Backing W/nuts.....187
		Barrier.....133
		Base - Filter O-Ring.....217
		Base Lg Curve, Belt Shield 11000.....225
		Base Sm Curve, Belt Shield 11000.....225
		Base Wdmt - Belt Shield 11000.....225
		Battery Box Weldment.....245
		Battery, 925 CCA.....245
		Bearing.....27, 55, 135, 231, 233, 237, 241
		Bearing - 1-3/4 Cam Follower.....81
		Bearing - 2 3/16 Takeup.....169
		Bearing - 2-3/16 4-Bolt Flange.....221
		Bearing - 2-3/16 4-Bolt Flange, Shaved....169
		Bearing Cone (Inner).....173
		Bearing Cone (Outer).....173





# Part Description Index (continued)

Bearing Cone, Inner.....179	Bolt: Btnhd 1/2-13 x 2-1/2 In. Stainless Steel.....199	Bulkhead, 1/4 in. FPT Brass.....211
Bearing Cone, Outer.....179	Bolt: Btnhd 1/4-20 x 3/4 Stainless Steel.....71	Bumper.....151
Bearing Cup (Inner).....173	Bolt: HHD G 10.9 M10-1.5 x 25mm.....227	Bumper, Feedtable.....213
Bearing Cup (Outer).....173	Bolt: HHD G 8.8 M16 x 40mm.....227	Bumper, Rubber Boom.....243
Bearing Cup, Inner.....179	Bolt: Hhd G5 1/4 x 3/4 In.....79	Bumper, Rubber Door.....79
Bearing Cup, Outer.....179	Bolt: Hhd G5 5/16 x 1 In. Yellow Zinc.....101, 109	Bungee - 10 Rubber.....215
Bearing, 2-3/16 4 Hole Flange.....169	Bolt: Hhd Gr8 3/8-16 x 1-1/2 Yellow Zinc.....229	Bungee Cord, Bag Pan.....287
Bearing, 2-3/16 in., 4 Bolt Flange.....223	Bolt: Hhd M5 x 12 Cls 8.8.....95	Bungee Cord, Tunnel.....287
Bearing, 3-15/16 in. 4 Bolt Flange.....219	Bolt: Hhd Stainless Steel 1/4-20 x 1.....95, 215	Bush.....27, 241
Bearing- 3-15/16 in. Spherical.....229	Box, Green Toggle Switch.....267	Bushing.....127, 135, 136, 147
Beater, Lower Weldment.....223	Box.....153	Bushing (Included with Item 5).....16, 24
Beater, Upper Wldmnt.....221	Box, Junction.....247	Bushing (Included with Item 6).....12, 20
Bell Housing Kit.....63	Box: Junction Complete.....259	Bushing - Reducer 1/4 x 1/8.....113
Belt - 108 1/2 x 242 Oal Cont Ls.....169	Brace, Engine Compartment Roof.....73	Bushing, 1/2 x 3/8 NPTF.....101, 109
Belt, 14 Rib Mvbl 14/5vf1850.....225	Brace, Engine Compartment Roof CE.....73	Bushing, 1/4 x 3/8 NPT Steel.....93, 171
Belt, Skirting Front.....215	Brace, Engine Compartment Roof EE.....73	Bushing, 3/4 x 1/2 Stainless Steel.....93, 261
Belt, Skirting Side.....215	Bracket.....101, 125, 135, 151, 155, 161, 167	Bushing, Brake Shoe Pin.....11, 15, 19, 23
Belt, Skirting, Rear Filler.....169	Bracket (Included In Item 4).....135	Bushing, Cam.....11, 15, 19, 23
Belt: QSX Serpentine.....43	Bracket - Cab A/C Bulkhead.....69	Bushing, Door Latch Spring (bronze).....75
Belt: QSX Water Pump.....43	Bracket - Hi Pressure Fltr.....57	Bushing, Sprocket - Inner (short) Eskridge.....171
Bezel.....135	Bracket Weldment, Chain Tensioner Spring Loaded.....223	Bushing, Sprocket - Outer (long) Eskridge.....171
Billet, Planetary Input Gb13000.....227	Bracket, Air Cleaner Mount.....47	Bushing, Wheel Column.....201
Billet- Planetary Output Gb13000.....227	Bracket, Cab End Signal Lights.....243	Bushing: #12 MP x #8 FP.....43
Bleeding Screw.....27	Bracket, Circuit Breaker.....251	Buss Bar.....251
Blower Fan.....117	Bracket, Inoculant Tank, Bottom.....209	
Blower Motor Air Conditioning - Heater.....119	Bracket, Inoculant Tank, Front.....209	
Blower Motor Pressurization Recirculation.....119	Bracket, Receiver Dryer.....69	
Bolt.....127, 157, 163	Bracket, Reg Valve Mnt.....95	
Bolt - Anchor Fair Lead 1 in.....191	Bracket, S Cam Shaft - Wheel Brake.....11, 15, 19, 23	
Bolt, Button Hd, #10-24 x 5/8 in. Stainless Steel.....245	Bracket, Skirting Small.....215	
Bolt, Button Hd, 1/4-20 x 3/4 in. Stainless Steel.....201	Bracket, Surge Tank CE.....51	
Bolt, Button Hd. #10-24 x 1-1/2 in. Stainless Steel.....209	Bracket, Surge Tank EE.....51	
Bolt, Elevator 5/16-18 x 1-1/4 in. Yellow Zinc.....9	Bracket, Tail Lights.....243	
Bolt, Hex, 1-8 x 3-1/2 in. Yellow Zinc Gr 8.....219	Bracket: Air Intake Support.....47	
Bolt, Hex, 1/2 in. x 5-1/2 in. Gr 5.....37	Bracket: Rear Engine Mount Blk.....45	
Bolt, Hex, 1/2-13 x 1-1/2 in. Gr 5.....201	Bracket: Upper CAC Mount.....53	
Bolt, Hex, 1/2-13 x 2 in. Gr 5.....65	Brake Pedal Asm.....107	
Bolt, Hex, 1/2-13 x 2-1/4 in. Yellow Zinc Gr 8.....219	Brake Shoe, Modified.....11, 15, 19, 23	
Bolt, Hex, 1/4-20 x 1-1/2 in. Stainless Steel.....267	Brake, Comb Spring 30/30 (mod).....11, 19	
Bolt, Hex, 1/4-20 x 2 in. Gr 5.....39, 211	Breather.....59, 233	
Bolt, Hex, 3/4-10 x 1-3/4 in. Gr 5.....83	Breather Plug Rams(94) 1/4 in. MPT...95, 171	
Bolt, Hex, 3/8 x 1 in. Gr 5 Yellow Zinc.....223	Breather Plug, 1/8 in. MPT.....43	
Bolt, Hex, 3/8-16 x 1 in. Gr 5 Yellow Zinc.....77	Brkt - Air Cleaner Mtg.....73	
Bolt, Hex, 3/8-16 x 1-1/2 in.....65, 77	Brkt: Clutch Hyd Valve, Cummins.....57	
Bolt, Hex, 3/8-16 x 1-1/4 in. Gr 5.....177	Bronze Pad.....237	
Bolt, Hex, 3/8-16 x 2-1/2 in. Gr 5.....83	Btnhdhlt, #10-24 x 1-1/2 Stainless Steel.....189	
Bolt, Hex, 3/8-16 x 7/8 in. Gr 5.....201	Btnhdhlt, #10-24 x 1/2 Stainless Steel.....113	
Bolt, Hex, 5/16-18 x 1 in. Gr 5.....211	Btnhdhlt, 1/4-20 x 1-1/2 Stainless Steel.....69, 75	
Bolt, Hex, 5/16-18 x 1 in. Stainless Steel.....77	Btnhdhlt, 3/8-16 x .75 Stainless Steel...69, 75	
Bolt, Hex, 5/16-18 x 1-1/4 in. Gr 5.....39	Btnhdhlt, 3/8-16 x 1 Stainless Steel.....73, 75	
Bolt, Hex, 5/16-18 x 3/4 in. Stainless Steel.....209	Btnhdhlt, 3/8-16 x 1-1/2 Stainless Steel.....73, 75	
Bolt, Hex, 5/8 in. x 4 in. Gr 5.....177	Btnhdhlt, 3/8-16 x 1-1/4 Stainless Steel.....51, 73, 79	
Bolt, Hex, 5/8-11 x 2 in. Gr5.....65	Btnhdhlt, 3/8-16 x 1-3/4 Stainless Steel.....75	
Bolt, Hex, 5/8-11 x 2-1/2 in. Gr 5.....223	Btnhdhlt, 5/16-18 x 1 Stainless Steel.....75	
Bolt, Hex, 7/8-9 x 6 in. Yellow Zinc Gr 8.....219	Btnhdhlt, 5/16-18 x 1-1/4 Stainless Steel.....73	
Bolt- Hub 9/16-18 Nf x 2 G.....169	Bulb.....157, 163	
	Bulb - Halogen 886.....243	
	Bulb, #1157.....243	
	Bulkhead - 1/4 in. FPT Brass.....171	

## C

Cab, Ag Bag.....107
Cable.....159, 289
Cable Asm - 14 Ft Bag Cradle.....207
Cable, 3/32 in. 7 x 7 Vinyl - Opaque ( 17 Ft 1 in. Order Per Foot ).....193
Cable, 3/8 in. x 50 Ft. With Hook.....201
Cable, Battery Negative X1114.....71
Cable, Battery Positive X1114.....71
Cable: 5/8 in. x 30 Ft Blank Ends.....191, 269
Cable: 5/8 x 35 Ft Blank Ends.....191, 269
Cam.....149
Cam Ring.....27
Cam, S.....11, 15, 19, 23
Can, Air.....15, 23
Cap.....136, 167
Cap - Cigar Lighter (Included With Cab).....111
Cap - Fuel, N2.....261
Cap Screw.....151, 153, 159, 165
Cap Screw, 1/4 in. x 5/8 in.....167
Cap, -12 Jic W/ 10mm Port.....217
Cap, -16 Jic W/ 10mm Port.....261
Cap, CP25607-1 Nylon Black.....209
Cap, Deutsch Plug.....255
Cap, Deutsch Receptacle.....255
Cap, Fuel 3 in., Vented.....89
Cap, Hose, 3/4 in. FPT Polypro.....211
Cap, Hub.....179
Cap, Ported, Drive Shaft End.....229
Cap, Push Button.....111
Cap, Tine Weldable.....219
CapScrew, Hex 7/16-20 Gr 8.....173
Carblt - 3/8-16 x 1 1/4 in.....47, 79, 215
Carblt - Stainless Steel 3/8-16 x 1-1/4 in.....9
Carblt G5 5/16-18 x 1 in.....225
Carblt, 3/8-16 x 1 Stainless Steel.....75
Carblt, 5/16-18 x 1 Stainless Steel.....169
Carbolt, G5 5/16-18 x 3/4.....225
Carrier Assembly.....173



# Part Description Index (continued)

Carrier Thrust Washer.....173	Connector, -08 MORB x -08 MJIC EX.....267	Cover.....27, 121, 127, 129, 135, 153, 155, 161, 173, 231, 241
Chain, Roller #100H Super RVT UST 60P.....223	Connector, -37° Flare -ORB 7/8-14.....65	Cover (Included With Air Cleaner).....47
Chain: Rir #100h Super Rvt Ust 50p.....171	Connector, 1/4 in. Air Bulkhead.....103	Cover Plate, Offset Weldment.....211
Charge Air Cooler Section.....51	Connector, 1/4 in. Air Union.....103	Cover Wdmt - Belt Shield 11000.....225
Charge Pump Kit (For Item 14).....66	Connector, 1/4 in. MPT x 1/4 in. Tube.....103	Cover Weldment, Battery Box.....245
Check Valve.....117	Connector, 1/4 in. Tube x 1/4 in. FPT.....104	Cover, A/C.....153
Check Valve, 1/4 in. Air.....103	Connector, 1/4 in. Tube x 1/4 in. MPT.....103	Cover, Cab End Signal Lights.....243
Check Valve, 5 Psi.....217	Connector, 1/4 in. Tube x 1/8 in. MPT.....103	Cover, Recirculation Blower.....117
Cigarette Lighter Adapter.....143	Connector, 12 Pin Black.....247	Cover, Reg Valve.....95
Circuit Breaker 10A.....251	Connector, 12 Pin Gray.....247	Cradle Wdmt 14 Ft.....207
Circuit Breaker 50A.....251	Connector, 16 Pin Female Amp.....249	Cross - Union -08 JIC.....271
Clamp.....125, 155	Connector, 16 Pin Female, Comb Amp.....249	Cross, 1/4 in. Air Union.....103
Clamp - Insert Sgl 1/2t Set.....93, 271	Connector, 23 Pos HD Deutsch Plug.....255	Cushion.....147
Clamp Plate, Tube.....267	Connector, 23 Pos HD Series, Deutsch Receptacle.....255	Cylinder Block.....27
Clamp, .218 in.-.625 in. Hose.....43, 51, 171	Connector, 3/8 in. Air Bulkhead.....103	Cylinder Block Assembly & Free Coupler Device (Includes 25-43).....28
Clamp, .375 in.-.875 in. Hose.....211	Connector, 3/8 in. Air Union.....103	Cylinder: Anchor - Tie Rod 8 in. x 36 in.....283
Clamp, .375 in.-.875 in. Hose.....209	Connector, 3/8 in. Tube x 1/4 in. MPT.....103	Cylinder: Bag Boom.....205
Clamp, .437 in.-1.000 in. Hose.....261	Connector, 3/8 in. Tube x 3/8 in. MPT.....104	
Clamp, .56 in.-1.25 in. Hose.....43, 53	Connector, Air Line, 1/4 in. Tube x 3/8 in. MP.....104	
Clamp, .562 in.-1.062 in. Hose.....53	Connector, Air To Air 4 in.....53	<b>D</b>
Clamp, 2 in. T-Bolt.....265	Connector, Deutsch HDP 24-24-21 Pin.....249	Decal - Clutch Oil Specs.....87
Clamp, 3 in. T-Bolt.....53	Connector, Deutsch, 3 Socket.....255	Decal - Danger, Conveyor Entanglement..85, 87
Clamp, 3-1/2 in. T-Bolt.....53	Connector: #4 MJ x #2 MP.....43	Decal - Danger, Rotor Entg'mt.....85, 87
Clamp, 4 in. Stainless Steel Muffler.....53	Connector: 1/2 MPT x 3/8 Tube.....91	Decal - Fuse Panel.....87
Clamp, Insert Sgl 3/4t Set.....271	Connector: 1/4 MPT x 1/4 Tube.....71, 93, 271	Decal - Grease.....85, 87
Clamp, Single, 1.05 in. Poly 2Pc.....211	Connector: 1/4 MPT x 3/8 Tube.....93, 95, 97, 99, 271	Decal - Grease Rotor Bearing.....87
Clamp, T-Bolt 6.5 in. Hd W Fltg Bridge.....48	Connector: 1/4 Tube Bulkhead.....107	Decal - High Pres Oil.....85
Clamp, T-Bolt 7.5 in. Hd W Fltg Bridge.....48	Connector: 1/8 MPT x 1/4 Tube.....43	Decal - Important, Lug Nuts.....85
Clamp, T-Bolt 8.88 in.....48	Connector: 3/8 MPT x 1/4 Tube.....99, 109	Decal - Notice Hyd Oil Only.....87
Clamp, Top Sgl 1/2p 3/4t 1t.....271	Connector: 3/8 MPT x 3/8 Tube.....9, 12, 16, 20, 24, 101, 109, 271	Decal - Oil Chain.....87
Clamp, Turbo 5 in.....47	Connector: 37d Flare-ORB 7/8-14.....217	Decal - Oil Level Hyd. Res. Clutch.....265
Clamp, Turbo Breeze.....53	Console.....149, 153	Decal - Patent List.....87
Clamp, Twin, .625 in. I.D. Smooth.....267	Console, Modified RH.....111	Decal - Rotating Parts.....87
Clamp: 6 in. Bent Bolt.....47	Container.....153	Decal - Shield Is Off.....87
Clamp: T-Bolt 8 In.....47	Controller - Clutch Display.....113	Decal - Shield Missing.....87
Cleat Weldment, Cab End.....177	Controller, Clutch Display (Included With Item 4).....57	Decal - Smv Emblem.....85, 87
Cleat Weldment, Engine End.....177	Controller, Clutchmaster HPTO (Included With Item 4).....57	Decal, Anchor Indicator.....193
Clevis, Air Can (Includes Pins).....11, 15, 19, 23	Convenience Outlet Plug.....143	Decal, Before Operating.....85
Clip.....55, 119, 121, 141, 155, 167	Converter 12DC/ 24AC.....251	Decal, Console Joystick.....111
Clip Hydraulic Line.....201	Converter: 12dc/24dc.....259	Decal, Diesel Fuel.....87
Clip Nut, 3/8-16.....75	Cooler Door Weldment.....75	Decal, Hydraulic Valve Bank.....277
Clip, Mounting DT Connector .433 Hole.....249	Cooler Package (Includes Items 14a thru 14e).....51	Decal, Miller Door Window.....85
Clutch Assembly.....201	Cord Grip, 4 Hole.....249	Decal, Oil Level Hyd. Res.....261
Clutch Controller.....247	Corner Post Panel Wld.....113	Decal, Pinch Point.....85, 87
Clutch Cup Kit.....63	Cotter Pin, 3/16 x 2 in. Stainless Steel.....201, 267	Decal, Red 2x9 Retroreflective.....85, 87
Clutch Section.....51	Cotter Pin, 3/16 x 2 Stainless Steel.....31, 33, 181, 189, 199	Decal, Refrigerent Pressure.....85, 87
Clutch Sub Assembly.....59	Coupler - Jaw.....217	Decal, Remote Activation.....85
Clutch Valve Manifold, PT Tec (Included With Item 4).....57	Coupler - Quick 1/2 Female Body.....189, 279	Decal, Up/Down Switch.....267
Clutch, Hpto 15.....57	Coupler - Quick 1/2 Male Body.....189, 279	Decal, Warning Hand Crushing.....85, 87, 201
Coil.....277, 279	Coupler - Spider.....217	Decal, Welding Notice.....85, 87
Coil Nut, Beater Valve.....221	Coupler, Female Airline #4 MPT.....93	Decal, Ylw 2x9 Retroreflective.....85, 87
Coil, Beater Valve.....221	Coupler, Gladhand Midland.....91, 287	Decal-Danger Start In Neutral.....85
Coil, Clutch Manifold.....57, 281	Coupling.....125, 239, 241	Decal: Boom Lift Warning.....85
Collar, Flywheel Coupling.....57	Coupling Ring.....27	Decal: Console, Right.....111
Comp Spring, Inner Hold-Down.....175	Coupling, 3/4 in. FPT x 3/4 in. FPT.....211	Distributor.....27
Compensator Valve.....65	Coupling, Flywheel.....57	Door.....131, 135
Compressor: X1114 A/C.....69		Door Prop.....75
Connctr, 12 Orb/12 ORB Str.....217		Drive, Wheel Class 5 Blk Bruin - Mchnd....11, 15, 19, 23
Connector - #8 MJ x #4 FP.....93, 95, 97, 99, 271		Drum, Brake - Machined.....11, 15, 19, 23
Connector - 1/2bspp x -12mjic.....217		Dryer, Bendix Air.....93
Connector - Male 1 in. JIC -1 in. NPT.....265		Dryer/Receiver, A/C.....69
Connector Kit, XA2.....247		Dust Cap, 1/2 in.....189, 279
		Dust Plug, 1/2 in.....189, 279



# Part Description Index (continued)

Dust Shield.....117  
Dye: Oil-Glo 44, 4 OZ.....285  
Dye: Oil-Glo 44, 8 OZ.....285

## E

Elastic Pin.....239  
Elbow - 2 in. Code 61 x HB.....57, 265  
Elbow - 45 16 MJIC x 1 in. NPT.....261  
Elbow - 90d 3/8 NPTF M/F.....265  
Elbow - 90d 8 x 7.....47  
Elbow -90d 3/8 in. Tube - 3/8 in. NPT.....261  
Elbow 90d Union 3/4-16 37 Deg.....31, 271  
Elbow, -04 MJIC x FJIC.....229  
Elbow, -04 ORB x 1/4 MJIC.....229  
Elbow, -06 FORB x -06 MORB.....279  
Elbow, -08 ORB x 1/2 in. MJIC.....267  
Elbow, -08 ORB x 1/2 M JIC.....31, 33  
Elbow, -08 ORB x 1/2 MJIC.....51  
Elbow, -10 ORB x 1/2 MJIC.....269  
Elbow, -12 ORB x -08 Mjic.....217  
Elbow, -16 ORB x -16 MJIC.....65  
Elbow, 1 in. FJIC x MJIC 45°.....65  
Elbow, 1 MJIC x Swivel 90°.....65  
Elbow, 1/2 MPT x -06 MJIC.....89  
Elbow, 1/2 MPT x 3/4 MJIC.....93  
Elbow, 1/2 NPT Street 90d.....43, 261  
Elbow, 1/2 NPT x 1/2 MJIC.....93, 269  
Elbow, 1/4 in. Air Union.....103  
Elbow, 1/4 in. MPT x 1/4 in. Tube.....103  
Elbow, 1/4 in. Tube x 1/8 in. FPT.....103  
Elbow, 1/4 MPT x 3/8 Tube.....101  
Elbow, 1/4 NPT Street.....171  
Elbow, 1/8 FPT x 1/8 MPT.....261  
Elbow, 1/8 Fpt x 1/8 MPT.....113, 169  
Elbow, 1/8 in. MPT x 1/4 in. Tube.....103  
Elbow, 3/4 in. MJIC x Swivel 90°.....65  
Elbow, 3/4 MJIC x Swivel 90.....43, 51, 261, 271  
Elbow, 3/8 in. Air Union.....103  
Elbow, 3/8 MJIC x 3/8 Jic Swv.....171  
Elbow, 3/8 MPT x 1/2 MPT.....109  
Elbow, 3/8 MPT x 3/8 MPT.....101  
Elbow, 45 1/8 MPT x FPT.....71, 169  
Elbow, 45° -12 MJIC x JIC Swivel.....65  
Elbow, 45° 12 Mjic x 12 ORB.....217  
Elbow, 90 1/2 in. JIC Swivel.....97, 181, 221, 271  
Elbow, 90d -04 ORB x -06 JIC.....171  
Elbow, 90d 37° Flare 3/4.....217  
Elbow, 90° 3/4 in. MPT x 3/8 in. Hose Barb.....209  
Elbow, 90° Swivel 1/2 in. FPT x 3/8 in. Hose Barb.....209  
Elbow, Street 90° 3/4 in.....209  
Elbow: -08 ORB x 1/2 MJIC.....181  
Elbow: 1/2 MPT x 3/8 Tube.....91  
Elbow: 1/4 MPT x 3/8 Tube.....93, 95, 97, 99, 271  
Elbow: 1/8 Fpt x 1/4 Tube.....113  
Elbow: 1/8 MPT x 1/4 Tube.....113  
Elbow: 2 in. 45 Deg Female.....261  
Elbow: 3/8 MPT x 3/8 Tube.....99, 101, 109  
Elbow: 3/8 Tube Union.....95  
Elbow: 45d 7 in.....47  
Elbow: 90d 3/8 In.tube - 3/8 In. PIP.....265  
Elbow: Reducing 7 x 6 45d.....47

Electrical Connector Accessory.....119  
Electrical Connector Assembly.....119, 147  
Electrical Connector Housing.....119  
Electrical Connector Seal.....119, 147  
Electrical Connector Terminal.....119, 147  
Element.....93  
Element, Flywheel Coupling.....57  
Enclosure.....289  
End Plate.....239  
Evaporator.....123  
Exernal Snap Ring.....237  
Ext Ernal Snap Ring.....237  
Extension - Bb Outrigger Mb11000.....205  
Extension: Tunnel 12 Ft.....197  
External Snap Ring.....237

## F

Fan.....121  
Fan - 42 in. Asm W/hub.....55  
Feed Table Lock Pin Assembly (Consists Of Items 7 thru 10).....37  
Feed Table Pin Assembly.....37  
Feedtable Lock Pin Asm.....9  
Feedtable Wing Wld CE.....175  
Feedtable Wing Wld EE.....175  
Filler/breather - High Neck.....265  
Filter.....123, 261  
Filter (Primary) (Included With Air Cleaner).....47  
Filter (Safety) (Included With Air Cleaner)...47  
Filter - Hydraulic P551553.....217  
Filter Asm, Return Tank 4215/4240.....261  
Filter Asm, Top Tank Case Drain.....261  
Filter Bowl.....209  
Filter Element.....261  
Filter, Hyd Element.....57  
Filter, Oil Tank Breather.....261  
Filter: QSX Engine Oil.....43  
Filter: QSX Fuel.....43  
Fitting.....117  
Fitting -12 Flare/27m ORST Viton.....43  
Fitting, -6 ORB To #6 A/C.....69  
Fitting, -6 ORB To #6 A/c.....51  
Fitting, 1/2 MPT x 3/4 Hb Brass.....43  
Fitting, 1/2 MPT x 5/8 HB Brass.....43, 261  
Fitting, 1/4 NPT x 3/8 HB Brass.....43, 51, 171  
Fitting, 1/8 in. NPT x 1/4 in. Int Hex.....103  
Fitting, Grease, 1/8-Ptf.....269  
Fitting, Male #10 SAE SAE/#8 Refrigerant.....51, 69  
Flange Elbow, 2 in. Code 61.....65  
Flange Kit - 2 in. Code 61.....57  
Flange Kit, 2 in. Code 61.....65  
Flange Kit, SAE 3/4 in. Code 61.....55  
Flange Kit, SAE, 1-1/2 in. Code 62.....65  
Flange Nut.....127, 151, 153, 161  
Flange Nut, M6.....167  
Flange, Flywheel Coupling.....57  
Flange: Kit - 2 In. Code 61.....265  
Flatwasher, 1/2 Hardened.....93, 169, 185, 187, 213, 225  
Flatwasher, 3/4 in. Sae.....45  
Flatwasher, 3/8 Hardened.....183, 225  
Flatwasher, 3/8 Wide Heavy Stainless Steel.....73, 75, 183, 215  
Flatwasher, 3/8 Wide Stainless Steel.....193

Flatwasher, 3/8 x 2 Od Stainless Steel.....215  
Flatwasher, 7/16 Stainless Steel.....199  
Fling Blt, Gr8, 3/4-10 x 3.....185, 187  
Flow Control Valve, HPTO.....57, 281  
Foam Seal - 1x1 Self Adhesive (Order Per Foot).....75  
Forage Dam Wldmnt.....183  
Frame, Tunnel Cleanout 14 Ft.....185  
Frame: Engine Skid Complete Blk.....45  
Frame: Feed Table.....169  
Free Coupling Device (Includes 38-43).....28  
Fuel Sender, Mp3.....89  
Fuse, 10A.....251  
Fuse, 15A.....251  
Fuse, 25A.....251  
Fuse, 5A.....251  
FX Housing Sub Assembly.....59

## G

Gang Bolt.....147  
Gasket.....135, 209, 261  
Gasket .25 in. x .50 in.....247  
Gasket, Cap EPDM CP19438-EPR.....209  
Gasket, Fan Pump.....171  
Gasket, Receptacle HDP24.....249  
Gauge, 100# 2.5 in. Liquid Stainless Steel.....211  
Gauge, Filter Minder.....261  
Gease Fitting (Optional).....173  
Gladhand Seal, Blue Service.....91  
Gladhand Seal, Red Emergency.....91  
Governor, Air Compress.....43  
Graphics Panel.....149  
Grease Fitting, 1/4-28.....31, 33, 191  
Grease Zerk 1/4-28.....205  
Grease Zerk, 1/4-28.....201  
Grease Zerk, 1/8 in. NPT Female.....223  
Grommet.....155  
Grommet, 5/8 Hole.....95  
Grommet, 7/8 Hole.....95  
Grommet, Tail Light.....243  
Grommet, Taillight.....71  
Grz Zerk - 1/8 NPT Female.....169  
Grz Zerk - 1/8npt Female.....269  
Guard, Beater Bar Chain Roller.....223  
Guard: Module.....9  
Guide Block, Anchor Pointer.....193  
Guide Panel - Belt Shield 11000.....225  
Guide Pin.....27  
Guide Ring.....27  
Guide: Fdtbl Belt 7/8x2x24 UHMW.....169

## H

Hair Pin, Stainless Steel.....191  
Hairpin, .177 in. x 3-11/16 in.....35  
Handle.....135  
Handle (Cab S/N 508668 & Before).....165  
Handle (Cab S/N 508669 & After).....165  
Handle, Short P70 Valve.....277  
Handle, Short Stainless Steel.....73, 77  
Harness Kit, HPTO Clutch (Included With Item 4).....57  
Harness, Arm Rest.....253  
Harness, Cab End Lights.....253  
Harness, Cab End Valve.....253





# Part Description Index (continued)

Harness, Cab To Frame.....253	Hhdbl, 5/16-18 x 2 Stainless Steel.....71	Hhdnut, 5/16-18 Stainless Steel Nylock....47,
Harness, Engine Skid.....253	Hhdbl, 5/16-18 x 2-3/4 Gr 5.....43	57, 69, 71, 73, 75, 95, 169, 187, 215
Harness, Engine To Ground.....253	Hhdbl, 5/16-18 x 3/4 Stainless Steel.....51	Hhdnut, 5/8-11 Nylock.....213, 221
Harness, HPTO Clutch (Not Shown).....253	Hhdbl, 5/16-18 x 5-1/2, Gr 5.....9	Hhdnut, 5/8-18 Nylock.....45
Harness, Lights.....243	Hhdbl, 5/8-11 x 1-1/2 Stainless Steel.....57	Hhdnut, M16-1.5 Nylock.....55
Harness, Lights, Wishbone.....243	Hhdbl, 5/8-11 x 5-1/2 Gr 5.....221	Hhdnut, Toplock 3/8-16.....193
Harness, Main Chassis.....253	Hhdbl, G 10.9 M16 x 120.....107	Hinge.....135
Harness, Signal Lights.....253	Hhdbl, G 10.9 M16 x 75.....12, 16, 20, 24	Hinge - Cooler Door X1114.....75
Harness, Starter To Alternator.....253	Hhdbl, G5 1/2-13 x 2.....221, 225, 265	Hinge, Platform Mount.....77, 83
Harness, Starter To Engine.....253	Hhdbl, G8 1/4-28 x 3/4.....269	Hitch, Pintle Weldment.....35
Head, Filter.....57	Hhdbl, Gr 5 1-8 x 4.....185, 187	Holder.....145
Head: 8 in. Anchor Cylinder.....283	Hhdbl, Gr 5 3/4-10 x 3.....43	Hood, Inoculant Nozzles.....211
Headliner.....155	Hhdbl, Gr 5, 3/8-16 x 1-1/4.....31, 33, 51, 75,	Hook.....155
Heater Hose, 1 in. Condor.....53	175, 183, 193, 217, 225	Hook-Cover (rubber).....225
Hex Plug, 1/4 in. MPT.....211	Hhdbl, Gr 5, 5/16-18 x 1-1/4.....73	Hopper Filler Wld, CE.....9
Hhblt G 5 1/2-13 x 1.50.....55, 93, 107, 185,	Hhdbl, Gr 5, 5/8-11 x 2.....45, 57	Hopper Filler Wld, EE.....9
187, 213	Hhdbl, Gr 5, 5/8-11 x 2-1/2.....221	Hose.....123, 125
Hhblt Gr 8 1/2-13 x 1-1/2 Yellow Zinc.....89	Hhdbl, Gr 8 1-8 x 5 Yellow Zinc.....227	Hose - Grease 3/16 x 48 in.....169
Hhblt Gr 8 1/2-13 x 2-1/4 Yellow Zinc.....199	Hhdbl, Gr 8, 3/4-10 x 2-1/2.....31, 33	Hose - Grease 3/16 x 77 in.....169
Hhcs, Stainless Steel #10-32 x 1.25.....89	Hhdbl, Gr 8, 3/4-10 x 2-1/4 Yellow Zinc.....45	Hose - Hyd 2 in. Clutch Drain.....265
Hhd Jam Nut, 5/8-11 Fin Stainless Steel.....71	Hhdbl, Gr 8, 5/8-11 x 2.....43, 213, 229	Hose - Radiator In.....53
Hhd Jam Nut, 5/8-18 Fin.....11, 15, 19, 23	Hhdbl, Gr 8, 7/16-14 x 1-1/2.....57	Hose - Radiator Out.....53
Hhd Nut - 1-1/2 in.-8 Unc Hvy Yellow Zinc...45	Hhdbl, Gr 8, 7/8-9 x 12 Yellow Zinc.....227	Hose Asm, A/C Cond To Dry.....69
Hhd Screw, 1/4-20 x 3/4 Stainless Steel	Hhdbl, Gr 8, 9/16-12 x 2.....229	Hose Barb Coupler, 5/8 Brass.....43
Tc.....113	Hhdbl, Gr 8.8, M8-1.25 x 25mm.....73	Hose Clamp.....117
Hhd Screw, 5/16-18 x 1 Stainless Steel	Hhdbl, Gr5 1/2-13 x 2-1/4.....207	Hose Clamp, 1-1/4 Rad.....53
Tc.....215	Hhdbl, Gr5 1/2-13 x 3-3/4.....185	Hose Clamp, 128hs.....47
Hhd Screw, 5/16-18 x 1-1/2 Stainless Steel	Hhdbl, Gr8 1/2-13 x 3-3/4.....12, 16, 20, 24	Hose Clamp, 3/4 Rad.....43
Tc.....215	Hhdbl, Gr8 1/2-20 x 3-1/2.....227	Hose Kit, Anchor Systm Grz Whps.....269
Hhdbl - 3/8-16 x 1-1/2.....93, 169, 225, 279	Hhdbl, Stainless Steel 1/4-20 x 1-1/4.....75	Hose Protector Shield 12 in.....9
Hhdbl - 3/8-16 x 1-3/4 G5.....11, 15, 19, 23,	Hhdbl, Stainless Steel 1/4-20 x 3.....271	Hose Shank, Tee Jet, 3/8 in. Nylon.....209
225	Hhdbl, Stainless Steel 3/8-16 x 1-1/2.....183	Hose, 3/8 in. Fuel (Order Per Foot).....51, 171
Hhdbl - G5 1/2 x 1-3/4 in.....79, 89, 169, 171	Hhdbl, Stainless Steel 3/8-16 x 1-1/4.....187,	Hose, Heater 3/4 in. (Order Per Foot).....53
Hhdbl - G5 1/2-13unc x 1-1/4 in.....55, 217	261	Hose, Heater 5/8 in. (Order Per Foot).....53,
Hhdbl - G5 1/4 x 1 Yellow Zinc.....187	Hhdnut - 1/4 in.....71	261
Hhdbl - G5 1/4-20 x 1-3/4.....225	Hhdnut - 3/4-10unc.....171	Hose, Hydraulic, 1/2 in. Boom Winch
Hhdbl - G5 1/4-20 x 2.....51	Hhdnut - 3/8-16.....175, 213	Long.....201
Hhdbl - G5 1/4-20 x 4-1/4.....189	Hhdnut - 5/8-11.....11, 15, 19, 23	Hose, Hydraulic, 1/2 in. Boom Winch
Hhdbl - G5 3/8-16 x 3/4.....205	Hhdnut - Lock 10-32.....193	Short.....201
Hhdbl - G5 3/8x1 in. Yellow Zinc.....79, 171,	Hhdnut - Lock 3/8 Whiz.....11, 15, 19, 23	Hose, Hydraulic, 3/8 in. Boom Extend
193	Hhdnut - M12-1.75 Jam.....11, 15, 19, 23	Long.....202
Hhdbl - G5 5/16 x 1-1/2.....47, 213, 215	Hhdnut - Nylon Lk 1/2-13.....89, 107, 169, 171,	Hose, Hydraulic, 3/8 in. Boom Extend
Hhdbl - G5 5/8-11 x 1-1/2.....47, 171	207, 217, 221, 227, 269	Short.....202
Hhdbl - G8.8 M12-1.75 x 30.....53	Hhdnut - Nylon Lk 1/2-13 Flange.....55, 89,	Hose, Hydraulic, 3/8 in. Boom Swing
Hhdbl - G8.8 M8 - 1.25 x 75.....109	185, 187, 207, 225, 265	Base.....201
Hhdbl - G8.8 M8-1.25 x 95mm.....69	Hhdnut - Nylon Lk 3/8-16.....193	Hose, Hydraulic, 3/8 in. Boom Swing
Hhdbl - Stainless Steel 1/4-20 x 5-1/2.....271	Hhdnut - Nylon Lk Flng 3/8-16 Yellow	Rod.....201
Hhdbl - Stainless Steel 5/16-18 x 1.....57, 69,	Zinc.....183, 217, 225, 279	Hose, Hydraulic, 3/8 in. Boom Tilt Base.....202
95, 97, 99, 262	Hhdnut - Stainless Steel Nylok 3/8-16.....73,	Hose, Hydraulic, 3/8 in. Boom Tilt Rod.....202
Hhdbl - Stainless Steel 5/16-18 x 1-1/4	183, 187	Hose, Oil Drain.....43
in.....71, 215	Hhdnut, #10-24 Nylock Stainless Steel.....189	Hose: Asm A/C Cab To Comp.....69
Hhdbl 5/8-11 x 3 Gr5.....181	Hhdnut, 1-8 Jam Nylock Yellow Zinc.....191	Hose: Asm A/C Comp To Cond.....69
Hhdbl Stainless Steel 3/8-16 x 2-3/4.....47	Hhdnut, 1-8 Nylock.....185, 187, 227	Hose: Asm, A/C Dry To Cab.....69
Hhdbl, 1/2-13 x 1-1/2 Stainless Steel.....47,	Hhdnut, 1/2-13.....79, 207	Hose: Cummins Lower Breather.....43
73, 79, 185, 187	Hhdnut, 1/2-13 Stainless Steel Nylock.....47,	Hose: Turbo Wastegate (Order Per Foot).....43
Hhdbl, 1/2-13 x 1-1/4 Stainless Steel.....47	73, 79, 175, 185, 187, 199	Hoses (Not Shown).....201
Hhdbl, 1/2-13 x 2 Stainless Steel.....187	Hhdnut, 1/2-20 Nylock.....89	Housing.....117, 121, 241
Hhdbl, 1/2-13 x 3 Yellow Zinc Gr 5.....269	Hhdnut, 1/4-20 Stainless Steel.....75	Housing Cig Lighter (Included With Cab)..111
Hhdbl, 1/2-13 x 5-1/4 Gr 8 YZ.....221, 223	Hhdnut, 1/4-20 Stainless Steel Nylock.....69,	Housing Seal Kit.....61
Hhdbl, 1/4-20 x 1-1/2 Stainless Steel.....271	75	Housing, L.H.....115
Hhdbl, 1/4-20 x 1-3/4 Stainless Steel.....215	Hhdnut, 3/4-10 Nylock.....45	Housing, Lower.....117
Hhdbl, 1/4-20 x 2 Stainless Steel.....271	Hhdnut, 3/8-16 Stainless Steel.....47	Housing: Planetary Drive Input 16002.....229
Hhdbl, 1/4-20 x 2-1/2 Stainless Steel.....189	Hhdnut, 3/8-16 Stainless Steel Nylock.....51,	Hub Assembly With Cups (Includes Items 4, 5
Hhdbl, 1/4-20 x 3/4 Gr 5.....75, 217	53, 69, 75	& 14).....179
Hhdbl, 1/4-20 x 4 Stainless Steel.....271	Hhdnut, 5/16-18 Nylock.....9, 73, 97, 99, 101,	Hub Cover.....27
Hhdbl, 3/8-16 x 1-1/2 Gr 5 Ft.....193	109, 213, 215, 225	Hub, 8 Bolt Complete.....179



# Part Description Index (continued)

Hub, Flywheel Coupling.....57  
Hyd Cylinder, 2 in. x 30 in. ORB.....199  
Hyd Cylinder, 3 in. x 24 in. ORB.....31, 33, 181  
Hyd Cylinder, 4 in. x 14 in. ORB.....189  
Hyd Motor - 32.7 Cu In.....221  
Hyd Tube Kit, X1114 Tow.....271  
Hydraulic Cylinder, 2.5 in. x 10 in. ORB.....201  
Hydraulic Cylinder, 4 in. x 14 in. ORB.....267  
Hydraulic Cylinder, 4 in. x 24 in. ORB.....267

## I

IDEC E-Stop, 16mm, 2.N.C.....289  
Idler Gear Kit.....63  
Indicator - Filter Electrical.....57  
Input Gear SAE 1 in. -6B Spline.....173  
Input Planetary Carrier.....239  
Input Retainer.....227  
Input Shaft Kit.....63  
Input Shaft Seal Kit.....61  
Input Support Assembly (Consists of Items 1, 3-19).....241  
Input Thrust Washer.....173  
Insert.....117, 121  
Insert- Bearing 3-15/16 in.....229  
Inst Panel Mount- Wld.....113  
Intermediate Flang.....235  
Intermediate Flange.....233  
Intersection Seal Kit.....277, 279  
Isolator.....117, 121, 135, 155

## J

Jack Base, Hydraulic Cab End.....267  
Jack Base, Hydraulic Engine End.....267  
Jamnut 1/2 - 13.....169  
Jamnut, 1 1/4-7 Nylock.....269  
Joystick - Drive Jc6000.....111  
Joystick - Jc150.....111  
Junction Box Asm, X1114.....107

## K

Key.....55  
Key Sq - 1/2 x 2.....171  
Key, 1 in. Sq x 4-1/2 C1095.....225  
Key, 1 in. Sq x 6-1/2 C1095.....225  
Key, Ignition.....113  
Key: Motor Shaft.....217  
Keystock, Square, 1/2 in. x 3 in. Long.....223  
Kit.....147  
Kit (Includes Items 1 thru 3).....135  
Kit - Bungee Cord.....287  
Kit, Brake hardware (Includes Items 14-18).....16, 24  
Kit, Brake hardware (Includes Items 15-19).....12, 20  
Kit: Hyd Pump Seal (For Item 13 S/N 4205280 & After).....65  
Kit: Hydraulic Oil Dye, Opti-Lux.....285  
Kit: Hydraulic Oil Dye, Optimax.....285  
Kit: Hydraulic Oil Dye, Optimax Jr.....285  
Kit: LX1214 Styling Decal.....85, 87  
Kit: Seal Hydraulic Cylinder.....189  
Knob.....131, 147, 149, 151  
Knob, Quick D5 Collar.....191

## L

Label.....135, 149  
Label, Cab Post Panel.....113  
Ladder Wdmt, Mb11014.....81  
Latch.....135  
Latch Handle Wld.....175  
Latch Mount Wld.....175  
Legend Plate.....289  
Lens.....157, 163  
Lens, Amber (Wesbar).....243  
Lens, Red (Wesbar).....243  
Lever.....151  
Light, Dual Lamp, Amber/Red Left Side.....243  
Light, Dual Lamp, Amber/Red Right Side.....243  
Light, Halogen Trap.....243  
Light, Tail 4 in. Green.....71, 243  
Light, Tail 4 in. Red.....71, 243  
Light, Tail 4 in. Yellow.....71, 243  
Line, R.H.....117  
Line, Rear.....117  
Link.....167  
Link - Quick S/d Plated 3/16.....193  
Link, #100H Connector UST.....223  
Load Sense Valve.....65  
Lock Nut...135, 136, 147, 149, 157, 159, 163, 167  
Lock Nut, M4.....117, 121  
Lock Ring.....173  
Lock Washer.....27, 135, 159  
Lock Washer, 1/4 Intrnl Tooth.....71  
Lock Washer, 5/16 Intrnl Tooth.....71  
Lock, Deutsch.....247  
Lock, Deutsch 12 Socket Plug.....249  
Lock, Deutsch 3 Pin Receptacle.....267  
Lock, Deutsch 6 Pin Recpt.....259  
Lock, Deutsch, 12 Pin Receptacle.....255  
Lock, Deutsch, 12 Socket Plug.....255  
Lock, Deutsch, 2 Pin Receptacle.....255  
Lock, Deutsch, 2 Socket Plug.....255  
Lock, Deutsch, 3 Pin Receptacle.....255  
Lock, Deutsch, 3 Socket Plug.....255  
Lock, Deutsch, 4 Pin Receptacle.....255  
Lock, Deutsch, 4 Socket Plug.....255  
Lock, Deutsch, 6 Pin Receptacle.....255  
Lock, Deutsch, 6 Socket Plug.....249, 255  
Lock, Deutsch, 8 Pin Receptacle.....255  
Lock, Deutsch, 8 Socket Plug.....255  
Lock: Transport.....9  
Lockwasher, 1-11/16 in.....255  
Lockwasher, 1/4 in.....167  
Lockwasher, 3/4 Yellow Zinc.....31, 33  
Lockwasher, 3/8 Spcl.....12, 16, 20, 24  
Lockwasher, 3/8 Stainless Steel.....262  
Lockwasher, 5/16 Stainless Steel.....57, 262  
Lockwasher, 5/8 Stainless Steel.....47, 57  
Lockwasher, 5/8 Yellow Zinc.....11, 15, 19, 23, 43, 171, 181, 229  
Lockwasher, 9/16 Yellow Zinc.....229  
Lockwasher, M8.....109  
Louver.....115  
Lucking Washer.....241  
Lugnut - 9/16-18.....169  
Lynch Pin - 1/4 x 1-1/4 Useable.....191

## M

Mach Bshg - 1-1/4.....261  
Mach Bshg - 1/2 in. 14 Ga.....81, 175  
Machine Bushing - 3-1/4 Od x 2-1/4 Id x #10 Ga.....181  
Machine Plate.....28  
Machined, Bushing, 1-1/2 in.....201  
Manifold, Air Line.....103  
Manifold, Cylinder Check.....181, 189, 199  
Mast Bag Boom 12 & 14 Ft.....201  
Module - Display IQAN Md3.....113  
Module, Can-6.....247  
Module, XA2.....247  
Molex Minifit Jr Plug, 5 Pole.....289  
Molex Minifit Jr Receptical, 5 Pin.....289  
Molex Minifit Socket, 18-24 AWG Gold.....289  
Molex Terminal minifit Pin, 18-24 AWG Gold.....289  
Motor - Fan 28cc Vane.....55  
Motor - Hyd 24cc Plntry Cooler.....217  
Motor Assembly.....201  
Motor, Hyd.....171  
Mount - Breather.....261  
Mount - Pump/motor.....217  
Mount Weldment, Platform Feed Tunnel Side Engine End.....83  
Mount, Beater Bar Hyd. Motor.....221  
Mount, Cab.....107  
Mount, Fdtble Bearing Adjustable.....169  
Mount, Feedtable Hyd Motor.....171  
Mount: 8 in. Anchor Cylinder.....283  
Mtg Band - Air Cleaner.....47  
Muffler: 6 in.....47

## N

Needle.....239  
Neg Batt Jumper Term.....71  
Nipple - Pipe 1/2 Hex.....43, 89, 91, 265  
Nipple, 1/8 in. x 3 in. Stainless Steel.....223  
Nipple, 2 in. Stainless Steel Close.....261  
Nipple, 3/8 x 1/4 NPT.....99  
Nipple, Hex 3/8 NPTF.....101  
Nipple, Pipe 1 x 5.....261  
Nozzle Body, 3/4 in. DBL Hose Barb With Stud.....211  
Nut.....27, 131, 135, 155, 165, 167  
Nut - Lug Flanged 3/4 in. NF W183.....11, 19, 23  
Nut - Lug Flanged 3/4 in. Nf W183.....15  
Nut Cig Lighter (Included With Cab).....111  
Nut, 1-11/16 - 18.....249  
Nut, 1-11/16-18.....255  
Nut, Bulkhead Union.....271  
Nut, Cord Grip.....249  
Nut, Hex Lock Flange, 5/16-18 Black Zinc.....211  
Nut, Hex Lock Flange, 5/16-18 Nylock Black Zinc.....77  
Nut, Hex Lock, #10-24 Nylock Stainless Steel.....209, 245  
Nut, Hex Lock, 1-8 Nylock.....219  
Nut, Hex Lock, 1/2-13 Nylock.....83, 219, 223  
Nut, Hex Lock, 1/4-20 Nylock.....39  
Nut, Hex Lock, 1/4-20 Nylock Stainless Steel.....201, 209



# Part Description Index (continued)

Nut, Hex Lock, 3/4-10 Nylock.....83, 223  
Nut, Hex Lock, 3/8-16 Nylock.....77, 83, 177, 201  
Nut, Hex Lock, 3/8-16 Top Lock.....83  
Nut, Hex Lock, 5/8-11 Nylock.....177, 223  
Nut, Hex Lock, 7/8-9 Nylock.....219  
Nut, Hex, 3/8-16.....223  
Nut, Hex, 5/16-18 Nylock Stainless Steel.....39  
Nut, Ignition Switch.....113  
Nut, Machine #4-40 Stainless Steel.....113  
Nut, Slotted, 3/4-16.....179  
Nut, Wheel.....179  
Nut: Clip- 1/4-20.....95  
Nut: Hex Gr 8 Toplock 7/8-9.....227  
Nut: Hex Jam 3/4-16 Nylock.....81  
Nut: Hex Nylok Cntr 1/4 In.....187, 189  
Nut: Hex Nylok Lk 3/4-10.....43, 185, 187  
Nut: Hex Nylon Lk 3/8-16.....9, 11, 15, 19, 23, 47, 79, 93, 169, 215, 225  
Nut: Hex Stainless Steel Nylok 1/4-20.....51, 189, 215, 225  
Nut: Jam 3/4 Hhd.....171

## O

O Ring Seal.....231, 233, 235, 239, 241  
O Ring Weal.....237  
O-Ring.....123, 261  
O-ring.....27, 28  
O-Ring - Buna-N #367.....229  
O-Ring - M10 x 1 W/retainer.....217, 261  
O-Ring 0.093 x 9.055 Id Buna-N.....229  
Oil Seal.....229  
Opm: LX1214 Bagger.....287  
Orifice, -8 ORB One Way (.059).....267  
Outer Roof (White).....155  
Outlet: Exhaust.....47  
Output Plan Carrier.....239  
Output Retainer.....227  
Output Shaft Seal Kit.....63  
Output Support.....231  
Output Support Assembly (Consists of Items 2-8).....231  
Outrigger, Bag Boom 12 & 14 Ft.....201  
Overflow Bottle - 4 Qt Rad.....73

## P

Pad.....237, 239  
Pad, Slide, Bag Boom, Lower.....201  
Pad, Slide, Bag Boom, Side.....201  
Pad: Slide Bag Boom Extension.....205  
Pan Wdmt, Bag - 14 Ft.....199  
Panel.....129, 149, 165  
Panel, Aux. Light Cab End.....243  
Panel, Crl Rkr Mnt Cntr.....113  
Panel, Crl Rkr Mnt End.....113  
Panel, Engine Compartment.....73  
Panel, Engine Cooler (hinge Side).....75  
Panel, Engine Cooler (latch Side).....75  
Panel, Engine Cooler (top).....75  
Panel, Fan Guard.....75  
Panel, Fan Shroud.....75  
Panel, Junction Box.....251  
Panel, Platform Main Floor.....79  
Panel- Cab Post Asm.....107  
Panel: Mount Valve Block.....187

Panel: Multi Color Lights EE.....73  
Pbk: LX1214 Bagger.....287  
Pin.....27, 135, 237, 239  
Pin (Included With Clevis).....11, 15, 19, 23  
Pin - 1 in. Dia. x 3.25 Grade 5.....199  
Pin - Anchor Cyl Outlet Pulley.....269  
Pin - Hair 5/32 x 2-15/16 Znc.....9  
Pin - Hitch .625 Dia x 4.....9, 191  
Pin - Roll 1/4 in. x 1 in. Std. Coiled.....31, 33  
Pin - Self Locking 1/2 x 2-1/2.....287  
Pin - Spring 5/32 x 1-1/4.....81, 175  
Pin Asm - Anchor Cyl Lng 1.5 in.....269  
Pin Asm - Anchor Cyl Sht 1.5 in.....269  
Pin Fastener.....151  
Pin, 3/4 in., Bag Boom Extension.....205  
Pin, Bag Boom Outrigger.....201  
Pin, Bag Boom Pulley W/Plate.....205  
Pin, Brake Shoe.....11, 15, 19, 23  
Pin, Clevis.....31, 33, 181, 189, 267  
Pin, Cotter, 5/32 in. x 1-3/4 in.....179  
Pin, Deutsch 14 Ga.....267  
Pin, Deutsch Connector Size 4.....249  
Pin, Deutsch, 14 Ga.....255  
Pin, Deutsch, 16/18 Ga.....255  
Pin, Feed Table Lock.....9, 37  
Pin, Hitch, 1/2 x 4-3/4.....195, 197, 287  
Pin, Hydraulic Cylinder.....199, 201  
Pin, Lock, 3/8 in. x 3 in.....83  
Pin, Pintle Hitch Brace, 1-1/4 in. x 5-1/4 in.....35  
Pin, Pintle Hitch, 1-1/4 in. x 9-5/8 in.....35  
Pin, Roll, 3/16 x 2 in.....9, 37  
Pin, Spring, 5/32 in. x 1-1/4 in.....39  
Pin, Steering Lock.....37  
Pin: 1/4 x 1-1/2 Hd Spiral.....9  
Pin: Cam Lever.....81, 175  
Pin: Deutsch 16/18 Ga (nickel).....259  
Pin: Rod Stop.....283  
Pin: Stainless Steel Cotter 1/8 x 1-1/4 In.....175  
Pin: Wheel Lock Pivot.....9  
Pintle Hitch Brace Weldment.....35  
Pipe.....27  
Pipe Plug, 1/2 Soc Hd.....101  
Pipe, Inoculant Spray Boom.....211  
Pipe, Plug 1/4 in. NPT-Soc Hd.....173  
Pipe, Plug Magnetic 3/8 in. NOT-Soc Hd...173  
Piston.....27  
Piston Bearing.....27  
Plane.....155  
Planet Bearing.....173  
Planet Gear.....173  
Planet Shaft.....173  
Planet Thrust Washer.....173  
Planetary Assembly (Consists of Items 1-21).....237, 239  
Planetary Carrier.....237  
Planetary Gear.....237, 239  
Planetary Gear Pin.....237  
Planetary Gearbox.....171  
Planetary Section.....51  
Planetary, Gb16002 16.9:1.....227  
Plate.....139, 147, 151, 165  
Plate (Order Kit Item 24).....147  
Plate - Access Cover.....113  
Plate - Tunnel Support 14 Ft.....185  
Plate - Upper Platform Mount.....79

Plate Hinge Loop.....169  
Plate, Anchor Pointer.....193  
Plate, Belt Backup.....215  
Plate, Brake Pedal Mount.....109  
Plate, Cover 1/2 Tube Clamp.....271  
Plate, Door Latch Mount.....75  
Plate, Drive Tube Mounting Flange 22 in.....229  
Plate, Joystick And Switch Mount.....111  
Plate, Pulley Mount.....193  
Plate, Right Console.....111  
Plate, Rotor Bearing Mount Weldment.....219  
Plate, S Cam Brkt Clmn Mnt.....11, 15, 19, 23  
Plate, Sensor Mount.....39  
Plate, Shield Stiffener.....225  
Plate, Skirting, Back Retainer.....169  
Plate, Striker Stud Mount.....75  
Plate, Valve Mounting Engine End (Top).....277  
Plate- Rod Mount.....175  
Plate-Console Joystick Mount.....111  
Plate-Spacer.....111  
Plate: Air Intake Support.....47  
Plate: Belt Shield Panel Lower.....225  
Plate: Belt Shield Panel Upper.....225  
Platform Wdmt, Mb11014.....79  
Platform Weldment, Folding Section Engine End.....83  
Platform Weldment, Main Section Engine End.....83  
Platform, Cab Upper Assy Mb.....79  
Platform, Upper Weldment.....77  
Plug.....167, 231, 233, 235, 237, 241  
Plug - Hex Head #8 MP.....109  
Plug - Hex Head #8mp.....89, 261, 265  
Plug, -16 ORB.....261  
Plug, 1/4 NPT.....43  
Plug, Deutsch 12 Socket.....249  
Plug, Deutsch 23 Socket (Plastic).....255  
Plug, Deutsch 6 Socket.....249  
Plug, Deutsch Cavity.....249, 255  
Plug, Deutsch DTHD06-1-4S.....249  
Plug, Deutsch HD16-4-4S.....249  
Plug, Deutsch, 12 Socket.....255  
Plug, Deutsch, 2-Socket.....255  
Plug, Deutsch, 31 Socket (Plastic).....255  
Plug, Deutsch, 4 Socket.....255  
Plug, Deutsch, 6 Socket.....255  
Plug, Deutsch, 8 Socket.....255  
Plug, Gladhand.....91  
Plug, Hex Head 1/4 Mp.....217  
PO Check Valve, Double, (-8 ORB).....267  
Pop Rivet (Order Kit Item 24).....147  
Port Plate.....65  
Pos Batt Jumper Term.....71  
Potentiometer.....149  
Power Strip.....143  
Power Strip Plug.....143  
Powercoil: Light Duty 12 Ft.....287  
Pre-Cleaner includes clamp (use clamp 908657 for Service).....47  
Press Red Cartridge (For Item 14).....66  
Press Red Valve, HPTO.....281  
Pressure Reducing Valve, HPTO.....57  
Pressure Sensor, HPTO.....57, 281  
Prop Relief Valve, Clutch.....57, 281  
Proportional Rocker Switch.....289



# Part Description Index (continued)

Pulley - Anchor Indicator.....193  
 Pulley, Anchor - Large 1-1/2.....205, 269  
 Pump - Hyd Plntry Cooler.....217  
 Pump Drive Gear Kit.....61  
 Pump Pad Kit, Clutch A.....61  
 Pump Pad Kit, Clutch B.....61  
 Pump Pad Kit, Clutch C.....61  
 Pump, Hydraulic 19.2 cc Clutch (S/N 4205279 & Before) Order 42.0801308.5 for replacement.....65  
 Pump, Hydraulic 25 cc, Beater.....65  
 Pump, Hydraulic 98 cc Load Sense.....65  
 Pump, Hydro Fan Drive.....65  
 Pump, Shurflo 3.0 GPM.....209  
 Pump: Hyd 19cc Clutch (S/N 4205280 & After).....65  
 Purge Valve.....93

## R

Radiator Section.....51  
 Radio, Delphi w/CD.....161  
 Radio: Delphi W/ Cd.....107  
 Rail Assembly Steps CE Platform Mb.....79  
 Rail Wdmt CE Platform Mb.....79  
 Rail, Slide Out Engine End Platform.....83  
 Railing Asm - Cab Roof.....107  
 Railing, Upper Platform Weldment.....77  
 Rear Cover.....27  
 Rebuilt Kit.....55  
 Receptacle, Deutsch 23 Pin (Plastic).....249, 255  
 Receptacle, Deutsch 3 Pin.....255, 267  
 Receptacle, Deutsch 6-Pin.....259  
 Receptacle, Deutsch DT04-12PA-P031.....249  
 Receptacle, Deutsch DTHD04-14P.....249  
 Receptacle, Deutsch HDP24-24-31SN.....249  
 Receptacle, Deutsch, 12 Pin.....255  
 Receptacle, Deutsch, 2 Pin.....255  
 Receptacle, Deutsch, 31 Pin (Plastic).....249, 255  
 Receptacle, Deutsch, 4 Pin.....255  
 Receptacle, Deutsch, 6 Pin.....255  
 Receptacle, Deutsch, 8 Pin.....255  
 Receptacle, Y.....255  
 Reducer With Nut, 24 -16 JIC.....65  
 Reducer, -06 MORB x -04 FORB.....279  
 Reducer, 3/4 FJIC x 3/8 MJIC.....271  
 Reducer: Pre Cleaner 9 x 8.....47  
 Reduction Plug.....233  
 Reinforcement.....147  
 Relay, 50A.....251  
 Relay, 70A.....251  
 Relay, Starter 75 Amp.....71  
 Relief Valve, Beater.....221  
 Remote - Bag Boom Pendant.....287  
 Resister: QSX Corrosion.....43  
 Resistor.....117  
 Restrictor - .062.....205  
 Restrictor, .062.....201  
 Retaining Ring.....27  
 RH Instr Panel Asm, Mb.....107  
 Ring.....27, 239  
 Ring Gar.....237  
 Ring Gear.....173, 239  
 Ring Nut.....241  
 Ring Seal.....231, 241

Ring, Snap.....11, 15, 19, 23  
 Ring, Steering Sensor.....39  
 Ring, Wheel Column Retaining 5 in.....11, 15, 19, 23  
 Riser, Upper Cab Platform Mb.....79  
 Rivet.....28  
 Rocker Switch.....149  
 Rod - Threaded 1-1/2 - 8 x 16.00.....45  
 Rod, 3/8 in. x 5.5 in. Belt Tensioner.....223  
 Rod, Wing Latch.....175  
 Roll Pin 3/16 in. x 7/8 in.....173  
 Roller.....27  
 Roller, Brake Shoe.....11, 15, 19, 23  
 Roller, Fdtble Drive 8 x 110 Vulcanized.....169  
 Roller, Fdtble Idle - 10 Ft.....169  
 Roller: Anchor With Bushing.....191  
 Roller: Guide.....269  
 Roof, Inner.....155  
 Roof: Engine Compartment Black.....73  
 Rotary Lock (LH).....75  
 Rotary Sensor SRS 880.....39  
 Rotating Group Kit (For Item 14).....65  
 Rotor Tooth.....219  
 Rotor, Weldment, 141 in. With 128 Teeth.....219  
 Rubber Latch.....245

## S

Satchel, Literature.....287  
 Screen.....209  
 Screw.....27, 115, 117, 119, 121, 125, 127, 129, 135, 136, 139, 141, 145, 147, 149, 151, 153, 155, 157, 161, 163, 165, 167, 231, 237, 239, 241  
 Screw #10-24unc x 2 Rd Hd Rb.....193  
 Screw (Included In Item 4).....135  
 Screw - Fhdsoc 1/2-13 x 1-1/2 in.....185, 187  
 Screw - Fhdsoc 1/2-13 x 2 in.....185, 187  
 Screw - Set 1/2 x 1/2 Hhd Cp.....171  
 Screw, #8 x 1 in. Truss Tap Zc.....111  
 Screw, #8 x 1/2 Truss Tap.....111  
 Screw, Flat Head Phillips M3 x 12mm.....251  
 Screw, Hex, 1/4-20 x 3/4 in. Stainless Steel Thread Cutting.....243  
 Screw, M4 x 12mm Torx Plastite.....113  
 Screw, M5 x 12 mm.....167  
 Screw, M6 x 12mm.....117  
 Screw, M6 x 16mm.....115  
 Screw, M6 x 20mm.....117, 119, 121  
 Screw, M8 x 16 mm.....167  
 Screw, M8 x 40 mm.....167  
 Screw, M8 x 50mm.....117  
 Screw, Set, 3/8 in. x 1/2 in.....39  
 Screw, Slotted Pan Hd. #10-32 x 3/8 in. Stainless Steel.....39  
 Screw, Socket Flat Hd. 1/2-13 x 1-1/2 in. Stainless Steel.....83  
 Screw- Set 1/2-13 x 2-1/2 Sqhd.....169  
 Screw: Machine #4-40x.50 Stainless Steel.....113  
 Seal.....117, 121, 135, 139, 161, 165  
 Seal - Cab Bulkhead.....259  
 Seal Kit.....55, 65, 173, 269, 277, 279  
 Seal Kit (For Item 13 S/N 4205279 & Before) & (Item 16).....65  
 Seal Kit (For Item 14).....66

Seal Kit (Includes 3, 67, 75, 100 & 116).....28  
 Seal Kit - Beater Valve.....221  
 Seal Kit - Hydraulic Motor.....221  
 Seal Kit - Relief Valve.....221  
 Seal Kit for Item 18.....217  
 Seal Kit for Item 20.....171  
 Seal Kit for Item 23.....217  
 Seal Kit, 14 in. Cylinder.....267  
 Seal Kit, 24 in. Cylinder.....267  
 Seal Kit, Anchor Cylinder.....283  
 Seal Kit, Bag Boom Cylinder.....205  
 Seal Kit, Hydraulic Cylinder.....31, 33, 181, 201  
 Seal Kit, Planetary.....227  
 Seal, Cam Brake.....11, 15, 19, 23  
 Seal, Oil, 2.250 in.....179  
 Seal, Rotor Cover-Inner.....9  
 Seal, Rotor Cover-Outer.....9  
 Sealing Ring.....27  
 Sealing Washer.....155  
 Seat.....147, 153  
 Sensor, Temperature.....217, 261  
 Sensor: Coolant Level.....51  
 Service Coil.....269  
 Shaft.....27, 167, 241  
 Shaft & Bearing Kit (For Item 14).....65  
 Shaft - Splined Upper Beater.....221  
 Shaft Nut.....27  
 Shaft Seal.....27, 65  
 Shaft, Stub Drive.....223  
 Shaft, Stub Idle.....221, 223  
 Shaft: Feedtable Mounting.....181  
 Shaft: Plan Drv W/flange 16002.....229  
 Shcs, 1/2-13 x 1-1/4 Yellow Zinc.....171  
 Shcs, 3/8-16 x 1-1/2 in.....191  
 Shcs, 3/8-16 x 1-1/4 in.....11, 15, 19, 23  
 Sheave, Drive 14-5v1400d W/ Bshg.....225  
 Sheave, Drive 14-5v3150d W/ Bshg.....225  
 Sheet.....139  
 Shield.....117  
 Shield - Planetary Coupler.....9  
 Shield: Hose Protector 6 In.....9  
 Shim.....167, 237  
 Shim: Slide Bag Boom Extension.....205  
 Shims.....173  
 Shuttle Valve, O-Ring.....277  
 Skirting, Forage Dam.....183  
 Sleeve, Cable.....193  
 Slide Bearing.....27  
 Slip- On, 1/4 in. FPT x 3/8 in. Hose Barb Nylon.....211  
 Snap - Spring 1/4 in. Dia.....287  
 Snap Ring.....131, 135, 235, 239  
 Snap Ring - Ext .693 in. ID.....205  
 Sochdblt - 12mmx90mm G12.9 Din912.....11, 15, 19, 23  
 Sochdcs, 1/2-13 x 1-1/2 Gr 8.....57  
 Socket Hd Cap Screw M10-1.5 x 35mm Gr 12.9.....57  
 Socket Hd Cap Screw M16-2 x 40mm Gr. 88.....57  
 Socket Wdmt, Bag Pan Spt - CE.....199  
 Socket Wdmt, Bag Pan Spt - EE.....199  
 Socket, Deutsch, 14 Ga.....255  
 Socket, Deutsch, 16/18 Ga.....255  
 Solenoid Valve, Clutch.....281  
 Solenoid, Air Horn.....243





# Part Description Index (continued)

Spacer.....127, 135, 239, 241	Stud, Wheel Drive - Class 5.....11, 15, 19, 23	Tie Band.....135
Spacer - .50 Id x 1.25 OD x 2.00 L.....185	Sun Gear.....237, 239	Tip, With Cap/ Gasket.....211
Spacer - Wheel Column, Brnz.....11, 15, 19, 23	Sun Gear Coupling.....237	Tire - 445/65R 22.5.....41
Spacer .675 Od x .386 Id x 1.000.....75	Sun Visor.....155	To Cab End Frame) (2nd From Bottom Of 4 Lines).....274
Spacer Cig Lighter (Included With Cab).....111	Support.....127, 147, 149, 167	Toggle Switch.....149
Spacer, Bag Boom Bushing.....201	Support Wdmt, Bag Pan - CE.....199	Toggle Switch Seat, 15/32 in.....289
Spacer, Beater Bar Motor Mount.....221	Support Wdmt, Bag Pan - EE.....199	Toggle Switch, SPDT, Momentary, Sealed.....289
Spacer, Beater Chain Tensioner Bracket...223	Support, Anchor.....191	Transducer, Pressure 0-4000 Psi.....269, 279
Spacer, Fuel & Hyd Tank.....89	Support, Filter.....117	Trim, Cooler Door Seal (Order Per Foot).....75
Spacer, Steering Lock.....37	Swash Plate Kit (For Item 14).....65	Tube.....117, 135
Spacer, Wheel Column, Bronze.....201	Switch.....119, 147, 149	Tube Stem, 1/4 in. Tube x 1/4 in. MPT.....103
Spacer: Tube.....221, 223	Switch - Dpdt 3 Pos Blk Euro/sr.....111	Tube Stem, 1/4 in. Tube x 1/8 in. MPT.....103
Speaker.....161	Switch, 3 Wire Cruise.....267	Tube Stem, 3/8 in. Tube x 1/4 in. MPT.....103
Speed Pickup.....59	Switch, A/C High Pressure.....69	Tube Stem, 3/8 in. Tube x 3/8 in. MPT.....103
Spider, Brake (mod Valmet).....11, 15, 19, 23	Switch, AC Low Pressure.....123	Tube, 3/4 x 5/32 x 1-1/8.....109
Spindle, 2.25 in. x 12.00 in.....179	Switch, Air Filter.....71	Tube, Hydraulic Anchor.....274
Spline Insert SAE A.....59	Switch, Blank.....111	Tube, Hydraulic Bag Pan Engine End.....274
Spline Insert SAE B.....59	Switch, Carl Rkr SPDT Mom.....113	Tube, Hydraulic Cab End Air Brakes.....273
Spline Insert SAE C.....59	Switch, Carl Rkr SPST Det.....113	Tube, Hydraulic Cab End Case Drain (Along Top Of Frame).....274
Split Ring (Matching Halves).....173	Switch, Dpdt 2 Position.....111	Tube, Hydraulic Cab End Jack.....274
Spring.....27, 147	Switch, Dpdt Momentary.....111	Tube, Hydraulic Cab End Steer.....273
Spring, Brake.....11, 15, 19, 23	Switch, Ether Start Push Button.....111	Tube, Hydraulic Cab End Steering.....274
Spring, Comp. 29/32od x 2-3/4lg.....75	Switch, Ignition.....113	Tube, Hydraulic Cab End Wheel Drive.....273, 274
Spring, Compression.....81, 175	Switch, Pressure.....113	Tube, Hydraulic Engine End Air Brakes.....273
Spring, Compression, 1 in. OD x 2.5 in.....9, 37	Switch: Batt Disconnect.....71	Tube, Hydraulic Engine End Park Brake.....274
Spring, Ext 1 x 4.50 in.....223	Switch: Tunnel Door.....189	Tube, Hydraulic Engine End Wheel Drive.....273
Spring- Ext 1.062 x .105 x 12.5.....193		Tube, Hydraulic Feed Table.....274
Sprocket, 100B17 2-3/16 in. 1/2 in. Key.....223		Tube, Hydraulic, 1/2 in. Air Supply.....273
Sprocket, Beater Bar Drive Rotor.....219		Tube, Hydraulic, 1/2 in. Bag Pan.....273, 274
Sprocket-100b10.....171		Tube, Hydraulic, 1/2 in. Cab End Air Brakes.....273
Sprocket-100b20.....171		Tube, Hydraulic, 1/2 in. Cab End Jack.....275
Standard Mat.....139		Tube, Hydraulic, 1/2 in. Cab End Park Brake.....275
Standoff- Threaded.....247		Tube, Hydraulic, 1/2 in. Engine End Air Brakes.....273
Star Washer, 3/8 Stainless Steel.....71		Tube, Hydraulic, 1/2 in. Engine End Gauge Line.....273
Starter: QSX.....43		Tube, Hydraulic, 1/2 in. Feed Table.....274
Steering Lock Assembly (Consists Of Items 2 thru 5).....37		Tube, Hydraulic, 1/2 in. Feed Table Down.....274
Stem - Valve Tire 501.....41		Tube, Hydraulic, 1/2 in. Feed Table Up.....274
Stem Plug, 1/4 in. Air.....103		Tube, Hydraulic, 1/2 in. Lift PO Check.....275
Stem Plug, 3/8 in. Air.....103		Tube, Hydraulic, 3/4 in. Cab End Valve Supply.....274
Stop, 1/4 in. Air End.....103		Tube, Hydraulic, 3/4 in. Case Drain.....275
Stop, 3/8 in. Air End.....103		Tube, Hydraulic, 3/4 in. Feed Table Drive.....274
Stop: Cable, Half.....191		Tube, Hydraulic, 1/2 in. Pilot Pressure.....273
Straight, 1/4 in. PT x 3/8 in. Hose Barb Nylon.....209, 211		Tube, Platform Rail Brace.....77
Straight, 3/4 in. PT x 3/8 in. Hose Barb Nylon.....209, 211		Tube: Alum 7.0 OD. x 12.0 x 1/8 W.....47
Straight, 3/4 NPT x 1 HB Brass.....51		Tube: Alum 7.0 OD. x 13.87 x 1/8 W.....47
Strain Relief, Amp 16 Comb.....249		Tube: Alum 7.0 OD. x 25.0 x 1/8 W.....47
Strain Relief, Amp 16 Pos.....249		Tube: CAC Upper 4 in.....53
Strainer - Hyd. Tank Fill.....261		Tube: Exhaust QSX.....47
Strainer, 122, 1-3/4 in. PP 50 Mesh.....209		Tube: Lower CAC.....53
Strap.....136, 141, 149		Tube: Radiator In.....53
Strap: 12 In Dia Muffler Pntd.....47		Tube: Radiator Out.....53
Strap: Grounding (cab/eng).....107		Tubing - Clear 3/8 in. Nom (Order Per Foot).....261, 265
Strap: Radio Brace.....107		
Striker.....136		
Strip, Feedtable Skirting Front - 10 Ft.....215		
Strip, Feedtable Skirting Side.....215		
Strip, Forage Dam Backup.....183		
Strip, Hood Skirting.....211		
Strip, Neoprene.....211		
Stud.....153, 155, 167		
Stud, Wheel (Included With Item 3).....179		
Tag, Emergency Gladhand.....91		
Tag, Service Gladhand.....91		
Takeup Frame Wldmnt.....169		
Tank - Air.....93		
Tank - Clutch X1114.....265		
Tank, Fuel Wld.....89		
Tank, Hydraulic Wld.....261		
Tank, Inoculant 56 Gal.....209		
Tape, UHMW Tivar .0625 in. x 2 in. (Order Per Foot).....89		
Tee, -12 Male JIC.....271		
Tee, -12 ORB Run x 3/4 Mjic.....217		
Tee, -24 JIC Branch Swivel.....65		
Tee, 1 in. Swivel Run JIC.....261		
Tee, 1/2 Swivel Outlet JIC.....269		
Tee, 1/2 Swivel Run 37 Flare.....269		
Tee, 1/4 in. Air Union.....103		
Tee, 1/4 NPT Male Run.....171		
Tee, 3/4 Swivel Outlet Jic.....217		
Tee, 3/4 Swivel Run 37 Flare.....51, 217, 271		
Tee, 3/8 in. Air Union.....103		
Tee, 3/8 in. NPTF Service.....101		
Tee, 3/8 in. x 1/4 in. Air Union.....103		
Tee, 3/8 NPT Female.....101, 109		
Tee, Hose Barb, 3/8 in. Polypro.....209, 211		
Tee, Male Branch 1/4 NPTF.....93, 113		
Tee, Union, 3/4-16 37d JIC.....271		
Tee: 1/4 MPT x 3/8 Tube Branch.....99		
Tee: 1/4 Tube Union.....113		
Tee: 3/8 Tube Union.....95, 99		
Tee: 3/8 Tube x 1/4 Tube Union.....93		
Tee: M Branch #8 MJ x #8 MJ x #8 MP.....93		
Temp Switch, Clutch.....281		
Temperature Switch, Clutch.....57		
Tensioner, Beater Chain, 3-1/4 in. x 3 in. UHMW.....223		
Terminating Resistor, Deutsch.....255		
Thermostat: QSX.....43		



# Part Description Index (continued)

Tubing Eva Reinf. .375 in. With Nylon (Order Per Foot).....211  
 Tubing, 1/2 in. Blue Nylon Air.....103  
 Tubing, 1/2 in. Nylon Air.....103  
 Tubing, 1/4 in. Blue Nylon Air.....103  
 Tubing, 1/4 in. Blue Nylon Air (Order Per Foot).....93  
 Tubing, 1/4 in. Green Nylon Air.....103  
 Tubing, 1/4 in. Nylon Air.....103  
 Tubing, 1/4 in. Red Nylon Air.....103  
 Tubing, 1/4 in. Yellow Nylon Air.....103  
 Tubing, 3/8 in. Blue Nylon Air.....103  
 Tubing, 3/8 in. Blue Nylon Air (Order Per Foot).....93  
 Tubing, 3/8 in. Nylon Air.....103  
 Tubing, Clear Vinyl, .375 I.D. (Order Per Foot).....211  
 Tunnel Extension Mb 14 Ft.....195  
 Tunnel Shell Weldment, 14 Ft.....185

## U

U- Washer.....27  
 U-Bolt, 1/4 in. x 1-1/4 in. x 2-1/4 in.....209  
 U-Bolt, 5/16 x 1.37 x 1.5 Round Stainless Steel.....187  
 UHMW, Skirt Support.....215  
 UHMW, Virgin 1/4 x 6 x 120.....9  
 Union -04ORB -06MJIC.....65  
 Union, -12 Male JIC.....171, 271  
 Union, Bulkhead #8 MJ x #8 MJ.....9, 271  
 Union: Adj Thd O-Ring 3/4-16.....189

## V

Vacuator Valve (Included with Air Cleaner).....47  
 Valve Plate Kit (For Item 14).....65  
 Valve.....123, 125  
 Valve - Hyd Anchor Float.....269  
 Valve Asm, Seven Section.....279  
 Valve, 1/4 in. Pneumatic.....103  
 Valve, 150 Psi Safety.....93  
 Valve, 30 Psi Check.....51  
 Valve, Air Parking.....113  
 Valve, Ball 1 in.....261  
 Valve, Ball 1/2 in.....43, 89, 265  
 Valve, Ball 2 in.....261  
 Valve, Cartridge Flow Divider.....199  
 Valve, Check.....101  
 Valve, Check 1/2 in.....93  
 Valve, Double Check Air Brakes.....99, 101  
 Valve, Drain Midland.....93  
 Valve, Flow Divider 1/2 in. NPT.....189  
 Valve, Hyd Beater.....221  
 Valve, Hydraulic Engine End.....277  
 Valve, Manifold Flow Divider.....199  
 Valve, Needle.....269  
 Valve, PO Check.....181, 189, 199  
 Valve, Prop Air Electric.....95  
 Valve, Quick Release Bw 289182.....97, 99  
 Valve, Relay Air Brakes.....101  
 Valve, Relief Body.....217  
 Valve, Relief Cartridge.....217  
 Valve, Throttling 23520, 3/4 in.....209  
 Valve, Treadle Wm472d.....109  
 Valve: Fuel Check Cummins.....89

Valve: Oil Pan Shut Off.....43  
 Valve: Solenoid.....71  
 Valve: Solenoid, 1/2 NPT 12 Vdc.....89

## W

Washer.....27, 115, 117, 121, 127, 135, 136, 147, 151, 155, 167, 231, 233, 235, 237, 239, 241  
 Washer - Flat .388x1.25x.12.....183  
 Washer - Flat 1-1/2 Ht Zc.....45  
 Washer - Flat 1/2 in. Std.....55, 79, 107, 207, 269  
 Washer - Flat 1/4 in. SAE Yellow Zinc.....187, 189  
 Washer - Flat 1/4 x 1 x .05 Stainless Steel.....215  
 Washer - Flat 3/8 in. SAE.....47, 79, 93, 171, 175  
 Washer - Flat 5/16 in.....97, 99, 101, 109  
 Washer - Flat 5/8 in. Ht.....43, 45, 55, 213  
 Washer - Flat Stainless Steel #8.....113  
 Washer - Lock 1/4 in.....79, 217  
 Washer - Lock 5/16 in.....43, 73, 169, 215  
 Washer - Lock Cig Lighter (Included With Cab).....111  
 Washer - Lock Stainless Steel #4.....113  
 Washer - Lock, 1/2.....11, 15, 19, 23, 53  
 Washer - Stainless Steel Flat 3/8 Wide.....73, 79, 215  
 Washer - Star 1/2 in. Internal.....71  
 Washer Flat 3/8 in.....193  
 Washer Lock, 1/4 in.....211  
 Washer Spacer.....237  
 Washer, #10 Flat Stainless Steel.....89, 193  
 Washer, 1/2 Flat.....53, 213  
 Washer, 1/2 Stainless Steel Flat....47, 73, 89, 185, 187  
 Washer, 1/2 Wide Flat Stainless Steel.....79, 175  
 Washer, 3/4 Flat.....43, 171  
 Washer, 3/8 Wide Flat Stainless Steel.....51, 53, 75  
 Washer, 5/16 Flat.....9, 73, 225  
 Washer, 5/16 Wide Flat Stainless Steel.....57, 169  
 Washer, Brake Shoe.....11, 15, 19, 23  
 Washer, Cam.....11, 15, 19, 23  
 Washer, Fdtble Plntry Shaft - Eskridge.....171  
 Washer, Flat 1/2 in. Thick.....89, 171, 199, 265  
 Washer, Flat 5/16 in.....69  
 Washer, Flat Wide, 3/8 in. Stainless Steel...65  
 Washer, Flat, #10 Stainless Steel.....209  
 Washer, Flat, 1/2 in.....65  
 Washer, Flat, 1/4 in. SAE Yellow Zinc.....39  
 Washer, Flat, 1/4 in. Stainless Steel.....209, 267  
 Washer, Flat, 3/4 in.....179  
 Washer, Flat, 3/4 in. Stainless Steel.....83  
 Washer, Flat, 3/8 in.....77, 83, 223  
 Washer, Flat, 3/8 in. SAE.....223  
 Washer, Flat, 5/16 in.....39, 211  
 Washer, Flat, 5/16 in. Stainless Steel.....209  
 Washer, Flat, 7/8 in. Stainless Steel Special.....9, 37  
 Washer, Lock, 3/8 in.....201  
 Washer, Lock 7/16 in.....173

Washer, Lock, 1-11/16 in.....249  
 Washer, Lock, 1/2 in.....37, 65, 201  
 Washer, Lock, 3/8 in.....223  
 Washer, Lock, 3/8 in. Stainless Steel.....65  
 Washer, Lock, 5/16 in.....211  
 Washer, Lock, 5/16 in. Stainless Steel.....209  
 Washer, Lock, 5/8 in. Stainless Steel.....65  
 Washer, Lord Mnt.....107  
 Washer, Stainless Steel 1/4 Flat.....75  
 Washer, Stainless Steel 3/8 Flat.....75  
 Washer, Stainless Steel 5/16 Flat.....51, 69, 71, 73, 75, 95, 187, 262  
 Washer, Star #10 Internal.....95  
 Washer, Steering Tie Rod.....31, 33  
 Washer-Lock 3/8 in.....31, 33, 171, 205, 269  
 Washer: 5/8 in. Internal Star.....71  
 Washer: Flat 3/8 In. Std.....9, 169, 205, 213, 215, 229  
 Washer: Flat 5/8 In. Std.....47, 71, 221  
 Washer: Flat M22 Yellow Zinc.....227  
 Washer: Stainless Steel Flat 1/4 In.....51, 95, 189  
 Washer: Stainless Steel Flat 3/8 In....47, 187, 262  
 Washer: Stainless Steel Lock 1/4 In.....71, 95  
 Wdmt, Anchor Indicator.....193  
 Wdmt: 12 in. Muffler Mount.....47  
 Wdmt: Anchor Compaction Lx 30.....191  
 Wdmt: CE FTS Wheel Column.....15  
 Wdmt: CE TS, Wheel Column.....11  
 Wdmt: Cleanout Door LX 12 Ft.....187  
 Wdmt: EE FTS Wheel Column.....23  
 Wdmt: EE TS, Wheel Column.....19  
 Wdmt: Front Engine Guard.....73  
 Wdmt: Handrail CE TS.....187  
 Wdmt: Handrail EE TS.....187  
 Wdmt: Lt Tunl Mnt LX 12 Ft.....187  
 Wdmt: Mount, Turn Cylinder.....31, 33  
 Wdmt: Rt Tunl Mnt LX 12 Ft.....187  
 Wdmt: Surge Tank X1114.....51  
 Wdmt: Tie Rod EE.....33  
 Wdmt: Tie Rod, CE.....31  
 Wdmt: Tunnel Shell 12 Ft LX.....187  
 Wdmt: Tunnel Support W/plates.....187  
 Weatherstrip.....133, 135  
 Wedge Lock, Deutsch, J1939.....256  
 Weld Nut.....167  
 Weld Stud.....147  
 Weldment, Door Latch Release.....75  
 Weldment, Valve Mounting Engine End (Front).....277  
 Wheel, Feed Table Weldment.....177  
 Wheel: 22.5 x 13 Drive.....41  
 Winch Motor Service Kit.....201  
 Winch Service Kit.....201  
 Winch, Planetary Hydraulic 2 Stage.....201  
 Window Pane.....135  
 Windshield (Order Item 4).....135  
 Wiper Arm.....167  
 Wiper Blade.....167  
 Wiper Motor.....167  
 Wiring Harness.....119, 125, 141  
 Wiring Lead.....129, 149, 155  
 Wldmt - Fan Motor Mount.....55  
 Wldmt, 3/4-10 x 12 in. Thrd Rod.....171  
 Wrench, 2-3/8 Open End.....287



## Part Description Index (continued)

---

“

“G” Base- SAE ‘C` Mount.....173



© 2014 by Miller-St. Nazianz, Inc.  
Ag-Bag, a Miller-St. Nazianz Company