



PARTS MANUAL

MODEL: PB6000
AgBag Silage Bagger

This parts manual is furnished for your convenience only. All parts must be purchased through an authorized dealer. Call us for a dealer near you.

42.0901803A



P O Box 127
511 East Main St.
St. Nazianz, WI 54232
(920) 773-2121
FAX: (920) 773-1200
Email: info@millerstn.com
www.ag-bag.com

Issue Date: 09/11

IMPORTANT!

For ongoing updates to this Parts Book

Visit us on the web at:

www.ag-bag.com

and click on PARTSMART web.

Check for new updates before placing any orders.

Order parts through your local dealer.



Table of Contents

| | |
|--|----|
| Section 1 - Frame, Rotor, Cable Drums, Tunnel Top, Tunnel Extensions & Bag Boom | |
| 1.01 Frame with Rotor & Cable Drums PB6000..... | 6 |
| 1.02 Tunnel Top Interchangeable, Tunnel Extensions & Bag Cradle..... | 8 |
| Section 2 - Wheels, Tires, Spindle & Hub Assembly | |
| 2.01 Spindle & Hub Assembly - PB6000..... | 10 |
| 2.02 Wheels & Tires..... | 12 |
| Section 3 - Conveyor, Drive Assembly & Hopper Assembly | |
| 3.01 Drive Assembly - Rotor..... | 14 |
| 3.02 Hopper Assembly..... | 16 |
| 3.03 Single Conveyor..... | 18 |
| 3.04 Conveyor Support/Slide Assembly, Split & Single Conveyor..... | 22 |
| 3.05 Conveyor Lift Assembly - Manual..... | 24 |
| Section 4 - Brake Assembly, Cable Guide Assembly, & Bag Boom | |
| 4.01 Cable/Guide Assembly..... | 26 |
| 4.02 Bag Boom..... | 28 |
| Section 5 - Backstop & Jackstand | |
| 5.01 Backstop, Steel..... | 30 |
| Section 6 - Transport Lights, Safety Signs & Decals | |
| 6.01 Transport Lights & Light Stand - PB6000..... | 32 |
| 6.02 Safety Signs & Decals - PB6000..... | 34 |
| Section 7 - Gearbox | |
| 7.01 Gearbox, Single Output..... | 36 |
| Section 8 - PTO Driveline | |
| 8.01 PTO Shaft - PB6000 & (G6060 up to 2009 Production)..... | 38 |
| Section 9 - Hydraulics & Breather Assembly | |
| 9.01 Hydraulic Drive Assembly - Single Conveyor..... | 40 |
| Section 10 - Miscellaneous Items, Options & Kits | |
| 10.01 Miscellaneous Items..... | 42 |
| 10.02 Safety Chain Kit..... | 44 |
| 10.03 Gandy, 45 lb. Dry Inoculant Applicator..... | 46 |
| 10.04 Gandy Box - PB6000..... | 48 |
| 10.05 Option: Conveyor Liner..... | 50 |



Table of Contents (Continued)

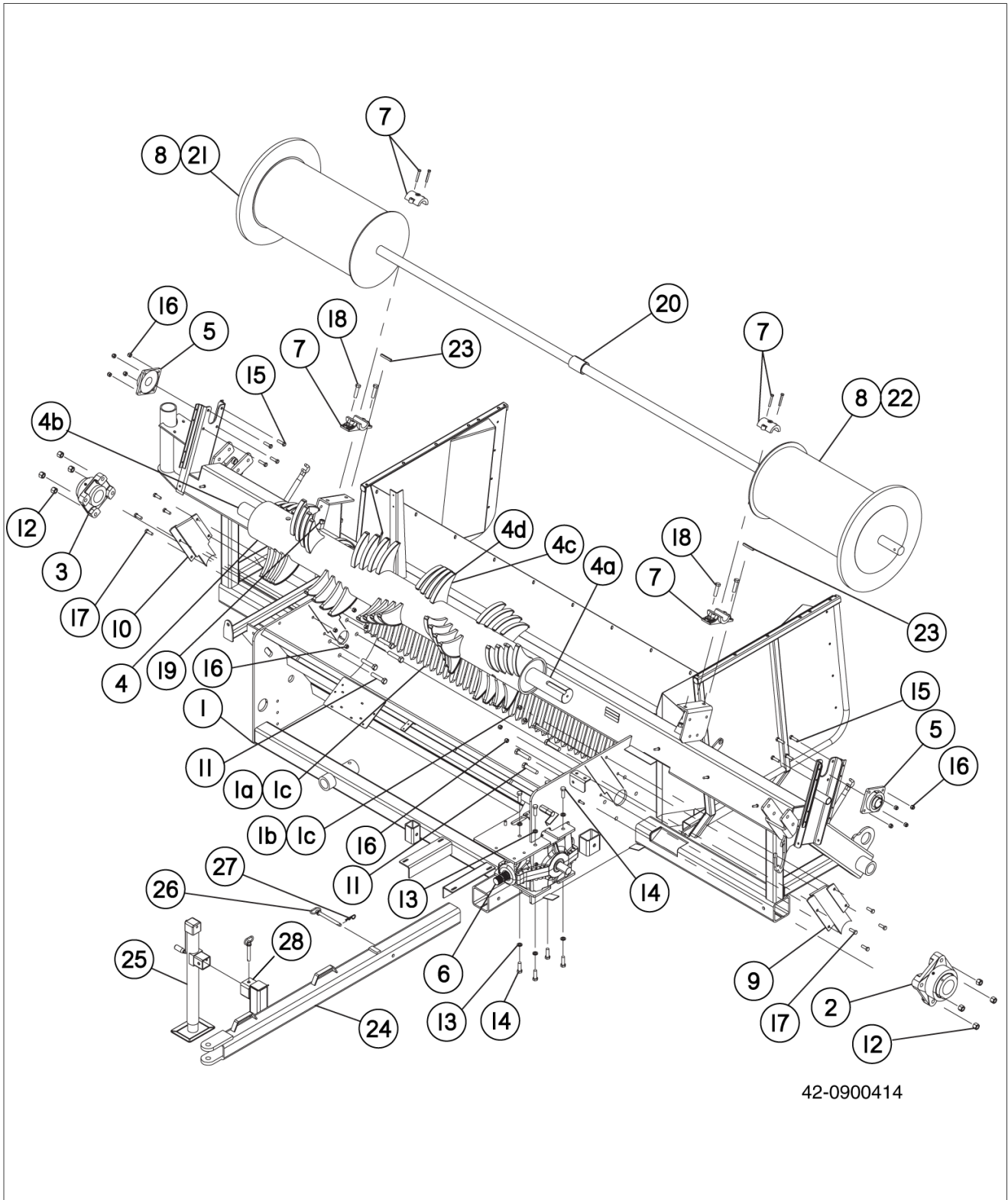
| | |
|-----------------------------|----|
| Part Number Index..... | 52 |
| Part Description Index..... | 54 |



Table of Contents (continued)

This Page Intentionally Left Blank

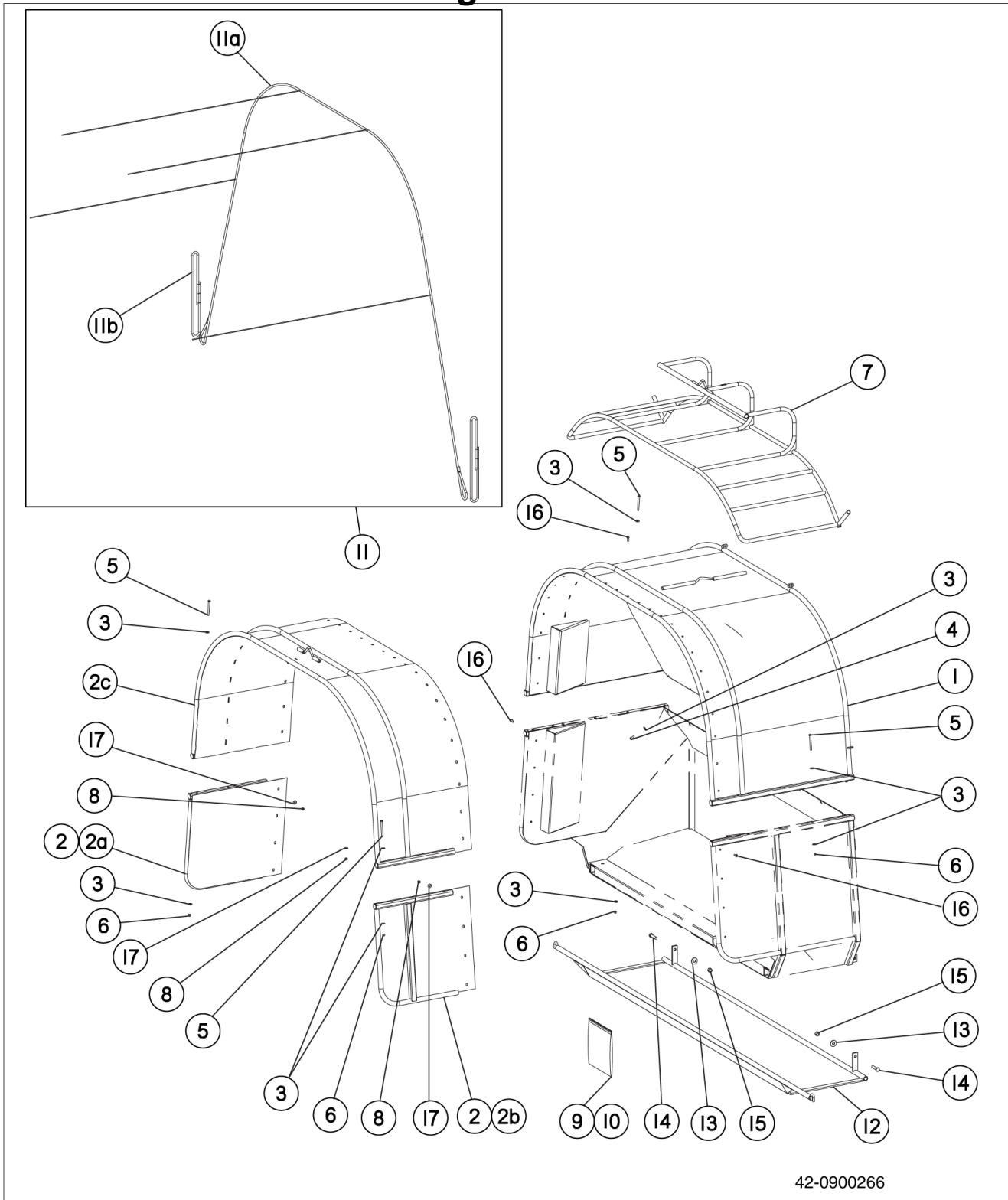
1.01 Frame with Rotor & Cable Drums PB6000



1.01 Frame with Rotor & Cable Drums PB6000

| Item | Part No. | Quantity | Description |
|------|------------|----------|---|
| 1 | 42.0901117 | 1 | Frame Weldment - with 8 Ft Tunnel Only |
| | 42.0901121 | 1 | Frame Weldment - with 9 Ft Tunnel Only |
| 1a | 42.0000093 | AR | Stripper Plate - 45 in. Weld In G6070 (Non Gearbox End) |
| 1b | 42.0000094 | AR | Stripper Plate - 35 in. Weld In (Gearbox End) |
| 1c | 42.0000095 | AR | Stripper Plate - 33 in. Weld In G6070 (Gearbox End), (Non Gearbox End) |
| 2 | 42.0900372 | 1 | Bearing, Drive, 3-7/16 in. Spherical 4 Bolt Footed - (G6060 S/N 42.05168 & After) |
| 3 | 42.0900371 | 1 | Bearing, Drive, 2-15/16 in. 4 Bolt Footed |
| 4 | 42.0901139 | 1 | Rotor + Three Teeth & Caps - (Weld Req'd) |
| 4a | 42.6002005 | 1 | Stub Shaft Drive, Weld In |
| 4b | 42.6002008 | 1 | Stub Shaft Idle, 2-15/16 in. Weld In |
| 4c | 42.1020018 | 36 | Tooth Assembly w/Cap |
| 4d | 42.1020001 | 36 | Cap, Rotor Tooth, Weld On |
| 5 | 42.1510044 | 2 | Bearing, 4 Bolt Flange |
| 6 | 42.1520051 | 1 | Gearbox, Single Output - PB6000 Only |
| 7 | 42.1510047 | 2 | Bearing, Split Babbit |
| 8 | 42.0900246 | 2 | Drum, Cable, w/Brake Flange, 7 Ft Rotor - 6070 Only |
| 9 | 42.0900349 | 1 | Weldment, Rotor Access, Drive |
| 10 | 42.0900447 | 1 | Weldment, Rotor Access, Idle |
| 11 | 904215 | 8 | Bolt, Hex, 3/4-10 x 3-1/2 in. Gr 5 |
| 12 | 906349 | 8 | Nut, Hex Lock, 3/4-10 Nylock |
| 13 | 900508 | 8 | Washer, Lock, 5/8 in. Yellow Zinc |
| 14 | 904253 | 8 | Bolt, Hex, 5/8-11 x 2 in. Gr 5 |
| 15 | 903518 | 8 | Bolt, Hex, 1/2-13 x 1-3/4 in. Gr 5 |
| 16 | 906401 | 16 | Nut, Hex Lock, 1/2-13 Nylock |
| 17 | 903306 | 8 | Bolt, Hex, 1/2-13 x 1-1/2 in. Gr 5 |
| 18 | 903832 | 4 | Bolt, Hex, 5/8-11 x 2-1/2 in. Gr 5 |
| 19 | 906402 | 4 | Nut, Hex Lock, 5/8-11 Nylock |
| 20 | 42.6003021 | 1 | Coupling, Cable Drum |
| 21 | 42.6003024 | 1 | Cable Drum, Non Brake Side, 6 Ft Rotor |
| 22 | 42.6003025 | 1 | Cable Drum, Brake Side, 6 Ft Rotor |
| 23 | 01.73266 | 2 | Key, Square, 3/8 in. x 3 in. Undersize |
| 24 | 42.0901793 | 1 | Hitch, Field, 8-9 Ft w/Decals |
| 25 | 42.1501398 | 1 | Jack, Manual, 15 in. Square Mount |
| 26 | 42.1550172 | 1 | Pin, Hitch |
| 27 | 05.73120 | 1 | Pin, Hair |
| 28 | 42.1501400 | AR | Mount, (Weld On), Jack, Female Square Tubing |

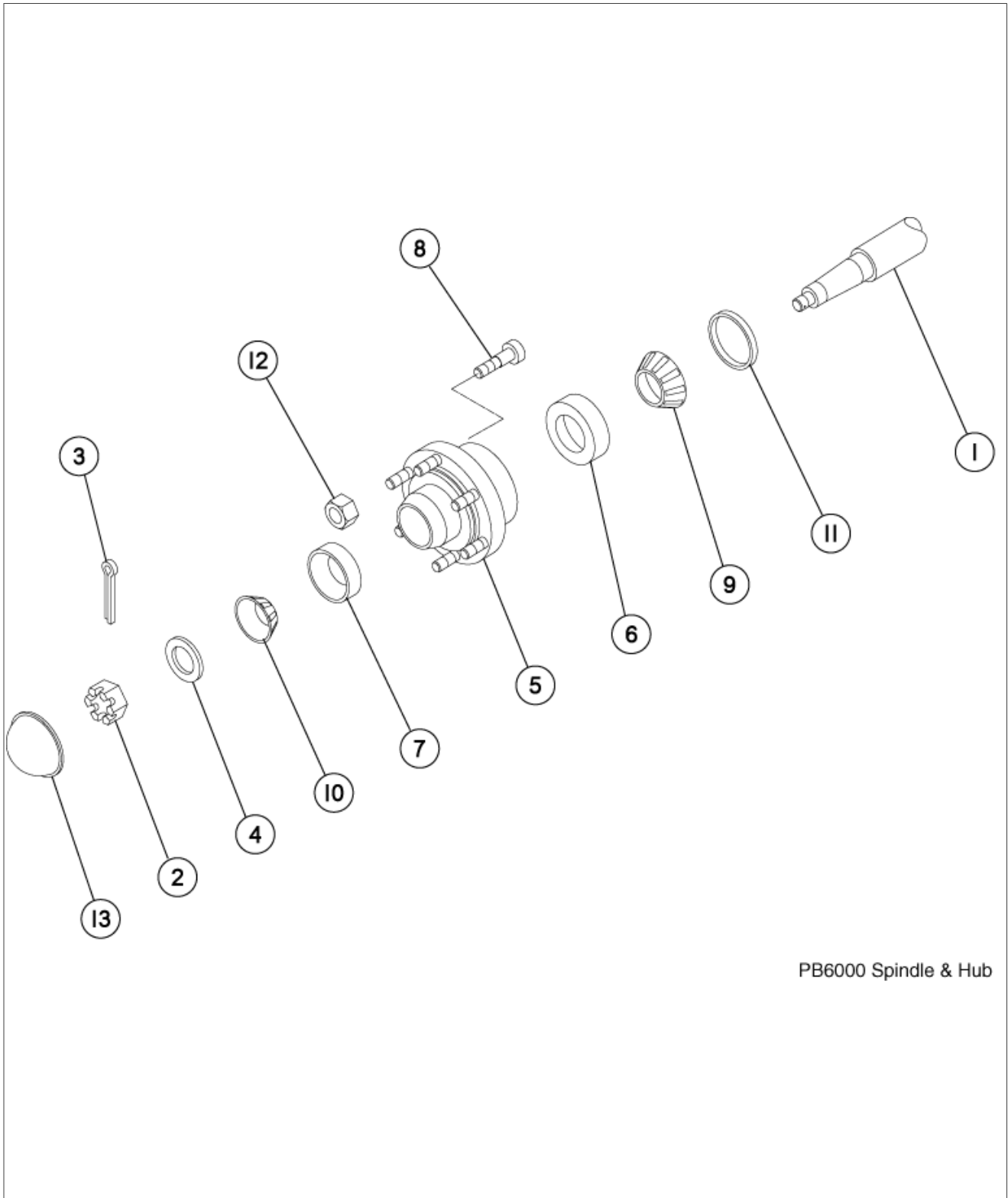
1.02 Tunnel Top Interchangeable, Tunnel Extensions & Bag Cradle



1.02 Tunnel Top Interchangeable, Tunnel Extensions & Bag Cradle

| Item | Part No. | Quantity | Description |
|------|------------|----------|---|
| 1 | 42.0901791 | 1 | Tunnel Hood, 8` w/Decals - G6060 Only |
| | 42.0901792 | 1 | Tunnel Hood, 9` w/Decals- G6060 Only |
| | 42.6006074 | 1 | Tunnel Hood, 9` - G6070 & G6070P Only |
| | 42.6006075 | 1 | Tunnel Hood, 10` - G6070 & G6070P Only |
| 2 | 42.6006087 | Set | Tunnel Extension Base, 29 in. - G6060, G6070 & G6070P Only |
| | 42.6006086 | Set | Tunnel Extension Base, 18 in. - G6060, G6070 & G6070P Only |
| 2a | 42.6006113 | 1 | Tunnel Extension Base, 29 in. - LH - G6060, G6070 & G6070P Only |
| 2b | 42.6006114 | 1 | Tunnel Extension Base, 29 in. - RH - G6060, G6070 & G6070P Only |
| 2c | 42.6006077 | 1 | Tunnel Extension, 8` x 29 in. - G6060 Only |
| | 42.6006079 | 1 | Tunnel Extension, 9` x 29 in. - G6060 Only |
| | 42.6006081 | 1 | Tunnel Extension, 10` x 29 in. - G6070 & G6070P Only |
| | 42.6006085 | 1 | Tunnel Extension, 9` x 29 in. - G6070 & G6070P Only |
| 3 | 907465 | 41 | Washer, Flat, 3/8 in. Wide Stainless Steel |
| 4 | 907467 | 9 | Bolt, Button Hd. 3/8-16 x 1 in. Stainless Steel |
| 5 | 907689 | 16 | Bolt, Hex, 3/8-16 x 4 in. Stainless Steel |
| 6 | 907391 | 16 | Nut, Hex Lock, 3/8-16 Nylock Stainless Steel |
| 7 | 42.6006012 | 1 | Cradle, Bag Boom, 8` & 9` - G6060 & PB6000 Only |
| | 42.6006089 | 1 | Cradle, Bag Boom, 10` - G6070 & G6070P Only |
| | 42.6006088 | 1 | Cradle, Bag Boom, 9` - G6070 & G6070P Only |
| 8 | 906400 | 35 | Nut, Hex Lock, 3/8-16 Nylock |
| 9 | 42.0900373 | 1 | Bolt Bag, Tunnel Extension (Consists Of Items: 8, 16 & 17) |
| 10 | 42.0900562 | 1 | Bolt Bag, Tunnel Hardware (Consists Of Items: 3 thru 6) |
| 11 | 42.1560004 | 1 | Kit, Bungee Cord (Consists Of Items 11a & 11b) |
| 11a | 42.1560000 | 1 | Bungee Cord, Tunnel |
| 11b | 42.1560001 | 2 | Bungee Cord, Bag Pan |
| 12 | 42.6006037 | 1 | Pan, Bag G6070 & G6070P Only |
| | 42.6006005 | 1 | Pan, Bag G6060 & PB6000 |
| 13 | 900498 | 2 | Washer, Flat 5/8 in. |
| 14 | 903832 | 2 | Bolt, Hex, 5/8-11 x 2-1/2 in. Gr 5 |
| 15 | 906402 | 2 | Nut, Hex Lock, 5/8-11 Nylock |
| 16 | 907467 | 35 | Bolt, Button Hd. 3/8-16 x 1 in. Stainless Steel |
| 17 | 907465 | 35 | Washer, Flat, 3/8 in. Wide Stainless Steel |

2.01 Spindle & Hub Assembly - PB6000

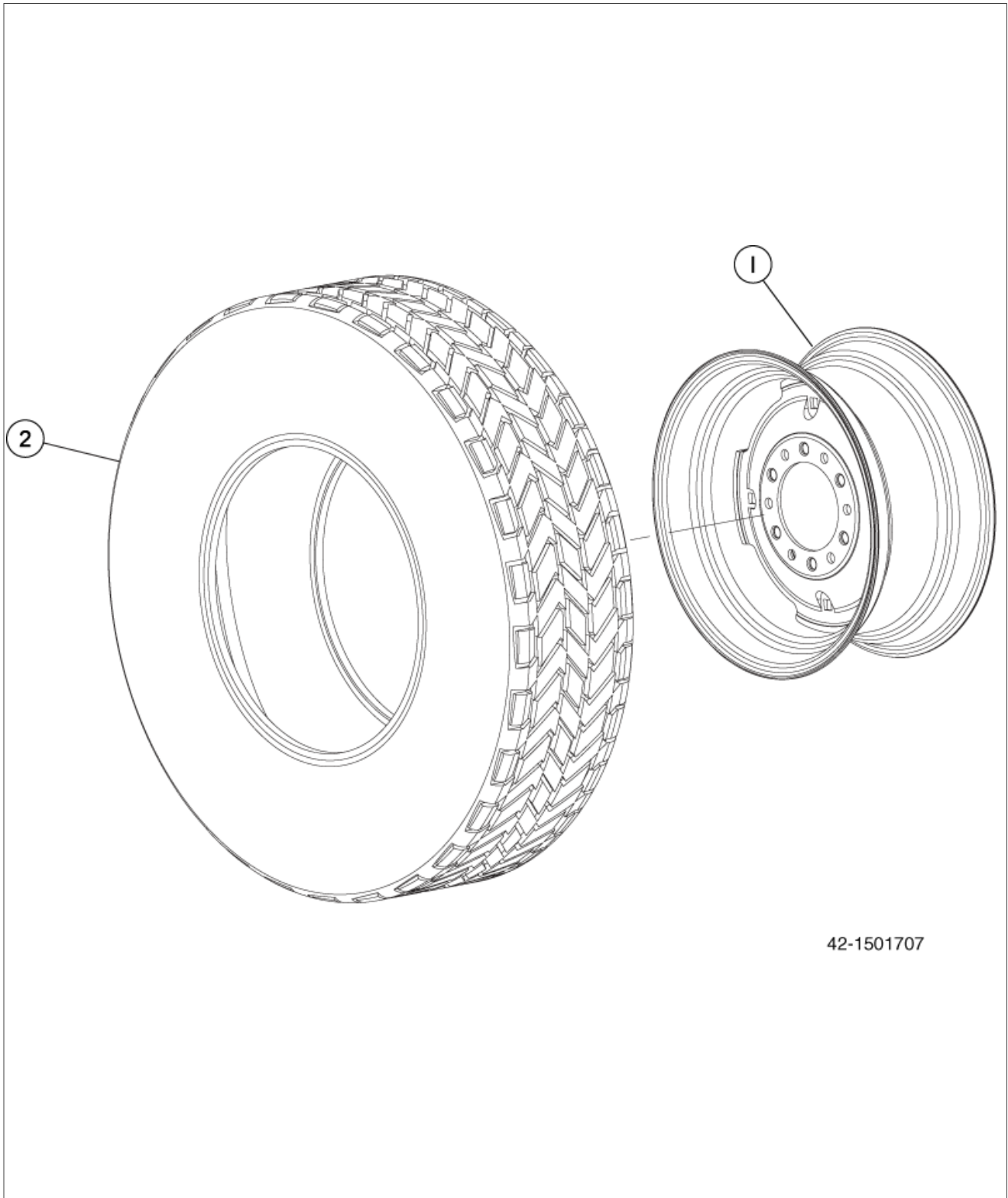


PB6000 Spindle & Hub

2.01 Spindle & Hub Assembly - PB6000

| Item | Part No. | Quantity | Description |
|------|------------|----------|---|
| 1 | 42.0901142 | 1 | Spindle, Single, 2-7/16 in. (Weld In) (Includes Items 2 thru 4) |
| 2 | 904245 | 1 | Nut, Hex Slotted, 7/8-14 |
| 3 | 907591 | 1 | Pin, Cotter, 5/32 x 2 in. |
| 4 | 42.1550228 | 1 | Washer, Spindle |
| 5 | 42.1500182 | 1 | Hub Assembly With Cups & Studs (Includes Items 6 thru 8) |
| 6 | 901151 | 1 | Cup, Bearing, Inner |
| 7 | 901182 | 1 | Cup, Bearing, Outer |
| 8 | 42.1550428 | 6 | Stud, Wheel, 1/2-20 x 2-1/8 in. |
| 9 | 901150 | 1 | Cone, Roller Bearing, 1-5/8 in. |
| 10 | 901181 | 1 | Cone, Roller Bearing, 1-1/4 in. |
| 11 | 42.1500377 | 1 | Oil Seal |
| 12 | 42.1550309 | 6 | Lug Nut, 1/2-20 |
| 13 | 902410 | 1 | Cap, Dust |

2.02 Wheels & Tires

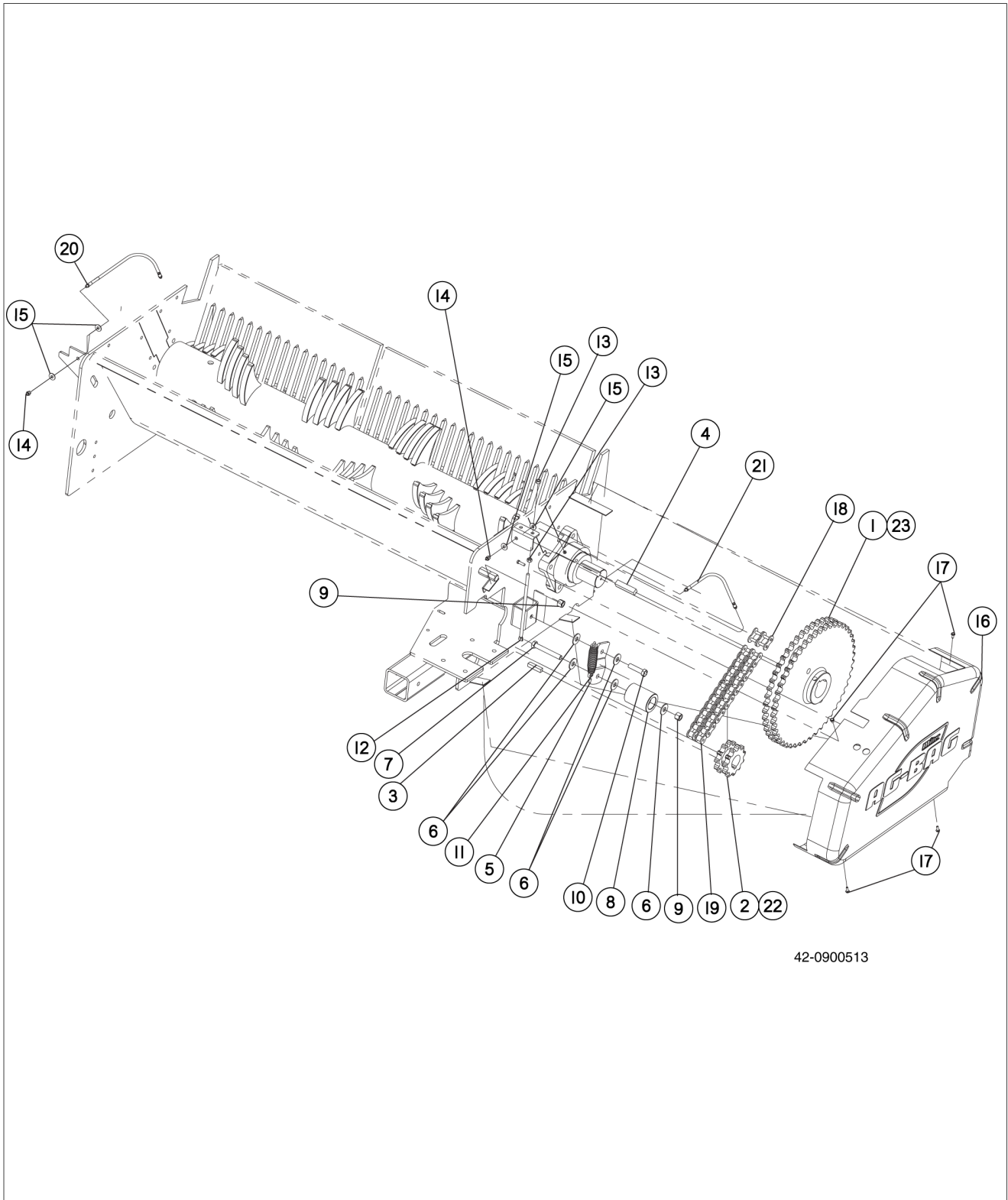


42-1501707

2.02 Wheels & Tires

| Item | Part No. | Quantity | Description |
|------|------------|----------|--|
| 1 | 42.0900181 | 2 | Wheel, 15 x 6 PB6000 |
| | 42.1500329 | 2 | Wheel, 16 x 6 G6060 |
| | 42.0900165 | 2 | Wheel, 16 x 8 G6070 & G6070P |
| 2 | 42.0900190 | 2 | Tire, 9.5L x 15 Farm Implement, PB6000 |
| | 42.0900191 | 2 | Tire, 235/85R16, G6060 |
| | 42.0900192 | 2 | Tire, 265/75R16, G6070 & G6070P |

3.01 Drive Assembly - Rotor

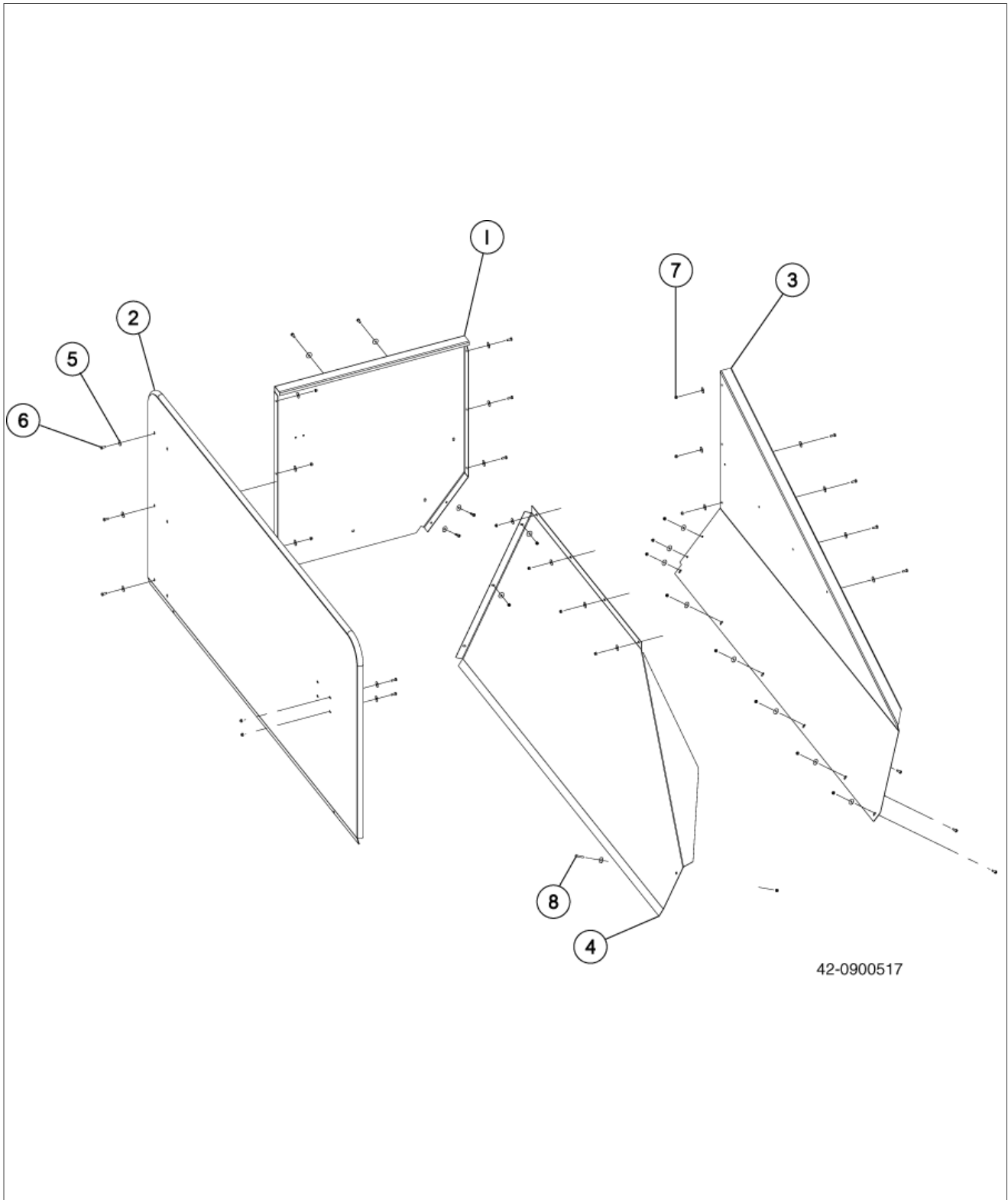


42-0900513

3.01 Drive Assembly - Rotor

| Item | Part No. | Quantity | Description |
|------|------------|----------|---|
| 1 | 42.0900377 | 1 | Sprocket, 120-2B48, 3-7/16 in. Bore, 7/8 in. Key - G6070 Only |
| | 42.0901587 | 1 | Sprocket, 120-2B42, 3-7/16 in. Bore, 7/8 in. Key - (G6060 S/N 42.05168 & After) |
| | 42.1520124 | 1 | Sprocket, 120-2B42, 2-15/16 in. Bore, 3/4 in. Key - (G6060 S/N 42.05167 & Before) & PB6000 Only |
| 2 | 42.1520664 | 1 | Sprocket, 120-2A11, 2-7/16 in. Bore, 5/8 in. Keyway |
| 3 | 42.6002002 | 1 | Key, 5/8 x 5/8 x 2-3/4 in. |
| 4 | 907688 | 1 | Key, Sq, 7/8 x 7/8 x 4 in. - G6070 & (G6060 S/N 42.05168 & After) |
| | 42.4070028 | 1 | Key, Sq, 3/4 x 3/4 x 4 in. - (G6060 S/N 42.05167 & Before) & PB6000 Only |
| 5 | 42.0900056 | 1 | Bar, Adjustable Chain Tensioner |
| 6 | 900499 | 5 | Washer, Flat, 3/4 in. |
| 7 | 906339 | 1 | Bolt, Hex, 3/4-10 x 5-3/4 in. |
| 8 | 42.6002007 | 1 | Tensioner, Rotor Chain |
| 9 | 906349 | 2 | Nut, Hex Lock, 3/4-10 Nylock |
| 10 | 09.71756 | 1 | Bolt, Hex, 3/4-10 x 3 in. Gr 5 |
| 11 | 42.1500483 | 1 | Spring, Extension |
| 12 | 42.0900174 | 1 | Rod, Chain Tensioner |
| 13 | 900369 | 2 | Nut, Hex, 1/2-13 |
| 14 | 905501 | 2 | Zerk, Grease, 1/8 NPT Female |
| 15 | 900496 | 8 | Washer, Flat, 7/16 in. |
| 16 | 42.0901519 | 1 | Guard, Rotor Chain - G6070 Only |
| | 42.0901518 | 1 | Guard, Rotor Chain - G6060 & PB6000 Only |
| 17 | 09.71112 | 4 | Bolt, Hex, 5/16-18 x 3/4 in. Gr 5 Special |
| 18 | 42.1520068 | 1 | Link, #120-2 Connector UST |
| | 42.1520086 | AR | Link, Offset, #120-2 |
| 19 | 42.1520757 | 1 | Chain, Roller, #120-2, 7.875 Ft, 63 P, UST - G6070 Only |
| | 42.1520005 | 1 | Chain, Roller, #120-2 59P - G6060 & PB6000 Only |
| 20 | 42.1501518 | 1 | Whip, Grease, 3/16 x 28 in. |
| 21 | 42.1502166 | 1 | Whip, Grease, 3/16 x 21 in. |
| 22 | 907725 | 2 | Setscrew, 3/4-10 x 3/4 in. |
| 23 | 907777 | 2 | Setscrew, 5/8-11 x 5/8 in. |

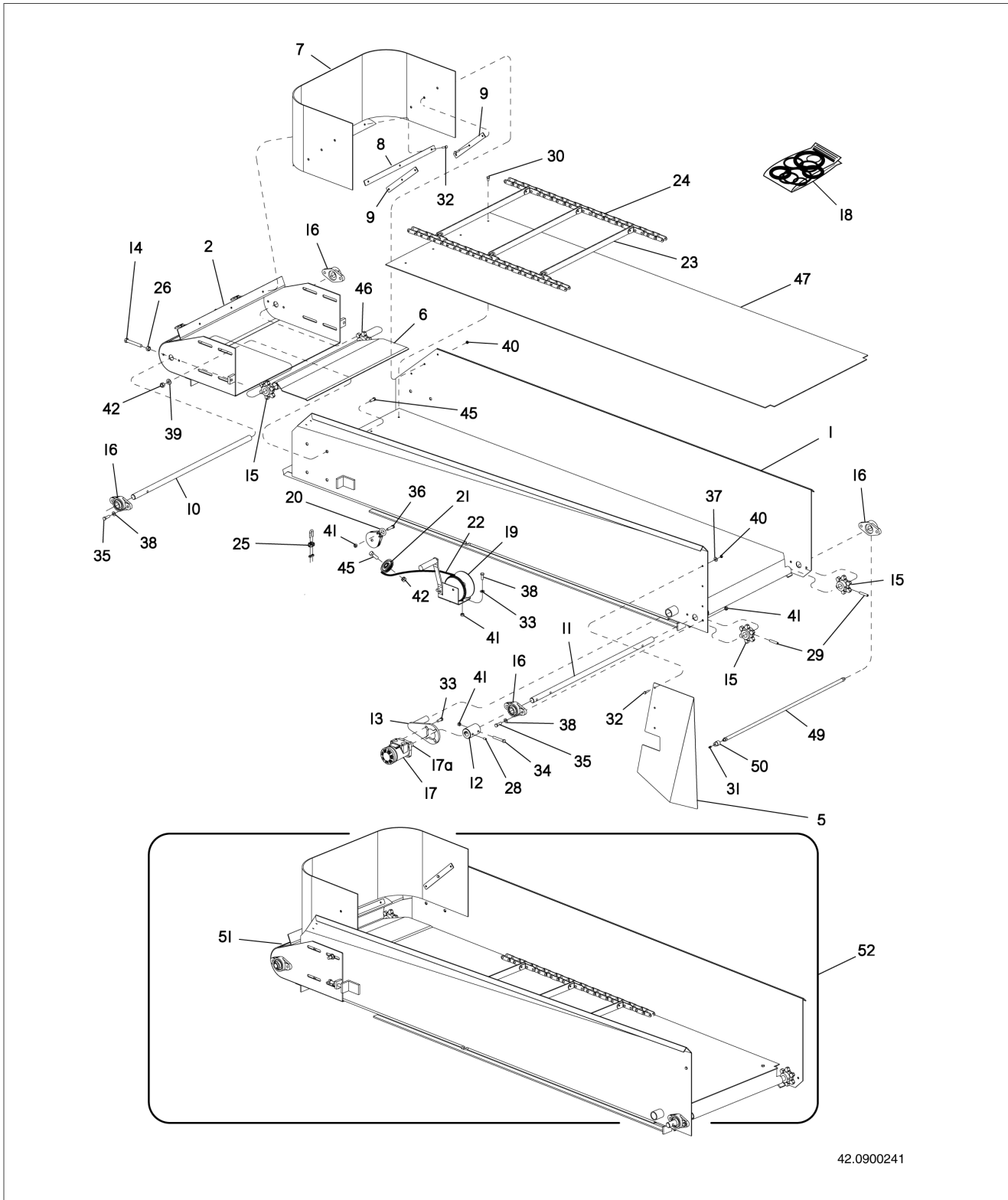
3.02 Hopper Assembly



3.02 Hopper Assembly

| Item | Part No. | Quantity | Description |
|------|------------|----------|--|
| 1 | 42.6012018 | 1 | Panel, Hopper Extension, Right Side |
| 2 | 42.6012011 | 1 | Plate, Face, 86 in. |
| 3 | 42.6000127 | 1 | Panel, Hopper Extension, Front 7 Ft - G6070 & G6070P Only |
| | 42.0901790 | 1 | Panel, Hopper Extension, Front 6 Ft w/Decals - G6060 & PB6000 Only |
| 4 | 42.0900062 | 1 | Panel, Sloped, Hopper 7 Ft - G6070 & G6070P Only |
| | 42.0900061 | 1 | Panel, Sloped, Hopper 6 Ft - G6060 & PB6000 Only |
| 5 | 907234 | 37 | Washer, Flat, 1/4 in. Stainless Steel - G6070 & G6070P Only |
| | 907234 | 34 | Washer, Flat, 1/4 in. Stainless Steel - G6060 & PB6000 Only |
| 6 | 907270 | 22 | Bolt, Hex, 1/4-20 x 3/4 in. Stainless Steel - G6070 & G6070P Only |
| | 907270 | 20 | Bolt, Hex, 1/4-20 x 3/4 in. Stainless Steel - G6060 & PB6000 Only |
| 7 | 907389 | 23 | Nut, Hex Lock, 1/4-20 Nylock Stainless Steel - G6070 & G6070P |
| | 907389 | 21 | Nut, Hex Lock, 1/4-20 Nylock Stainless Steel - G6060 & PB6000 |
| 8 | 907614 | 1 | Bolt, Button Hd, 1/4-20 x 1-1/2 in. Stainless Steel |

3.03 Single Conveyor



3.03 Single Conveyor

| Item | Part No. | Quantity | Description |
|------|--------------|----------|--|
| 1 | 42.0901788 | 1 | Conveyor, Frame w/Decals (G6060 & PB6000 Only) |
| 2 | 42.0901787 | 1 | Conveyor End, Adjusting w/Decals (G6060 & PB6000 Only) |
| | 904520 | 2 | Rubber Latch, 3 in. (G6060 & PB6000 Only) |
| | 42.1501318 | 2 | Rubber Latch, 5 in. (G6060 & PB6000 Only) |
| 5 | 42.0901789 | 1 | Plate, Conveyor End Deflector w/Decals |
| 6 | 42.6008027.9 | 1 | Guard, Conveyor Tail Shaft (G6060 & PB6000 Only) |
| 7 | 42.6008052 | 1 | Skirt, Conveyor (G6060 & PB6000 Only) |
| 8 | 42.6008020 | 1 | Strip, Conveyor Skirting Center (G6060 & PB6000 Only) |
| 9 | 42.6008021 | 2 | Bracket, Skirting - Small (G6060 & PB6000 Only) |
| 10 | 42.6008093 | 1 | Shaft, Conveyor Idle (G6060 & PB6000 Only) |
| 11 | 42.6008092 | 1 | Shaft, Conveyor Drive (G6060 & PB6000 Only) |
| 12 | 42.6008004.9 | 1 | Coupler, Conveyor Motor (G6060 & PB6000 Only) |
| 13 | 42.6008011 | 1 | Mount, Hydraulic Motor (G6060 & PB6000 Only) |
| 14 | 904674 | 2 | Capscrew, Hex Hd. 1/2-13 x 6 in. |
| 15 | 42.1520773 | 3 | Sprocket, Drive (G6060 & PB6000 Only) |
| 16 | 42.6008088 | 4 | Bearing, 2 Bolt Flange (G6060 & PB6000 Only) |
| | 42.1510020 | AR | Bearing, 1 in. - 2 Bolt Flange |
| 17 | 42.1540898 | 1 | Motor, Hydraulic, 101-1019-009, 5.9 cu. in. (PB6000 Only) |
| | 42.1541780 | 1 | Motor, Hydraulic, 101-1751-009, 7.3 cu. in. (G6060 & G6070 Only) |
| 17a | 42.0901800 | 1 | Key, Shaft (Hydraulic Motor) |
| 18 | 16.21179 | 1 | Seal Kit, H-Series (For Item 17) |
| 19 | 42.0900397 | 1 | Winch, Manual (G6060 & PB6000 Only) |
| 20 | 42.1501314 | 1 | Pulley, Swivel (G6060 & PB6000 Only) |
| 21 | 42.1501279 | 1 | Pulley (G6060 & PB6000 Only) |
| 22 | 42.0900554 | 1 | Cable, 1/4 in. x 17 Ft. (G6060 & PB6000 Only) |
| 23 | 42.6008018 | 17 | Slat, Conveyor Chain (G6060 & PB6000 Only) |
| 24 | 42.1520318 | 1 | Chain, Conveyor Complete (G6060 & PB6000 Only) |
| | 900703 | AR | Link, CA550 Connector |
| | 900709 | AR | Link, CA550 Offset |
| 25 | 42.1590024 | 2 | Clamp, Cable (G6060 & PB6000 Only) |
| 26 | 900369 | 2 | Nut, Hex, 1/2-13 |
| 28 | 900445 | 2 | Setscrew, Hex Socket, 3/8-16 x 1/2 in. (G6060 & PB6000 Only) |
| 29 | 09.72010 | 2 | Pin, Roll, 3/8 in. x 2 in. (G6060 & PB6000 Only) |
| 30 | 902364 | 4 | Capscrew, Hex Hd. 5/16-18 x 3/4 in. Gr 5 |
| 31 | 900537 | 2 | Fitting, Grease (G6060 & PB6000 Only) |
| 32 | 903033 | 12 | Capscrew, Hex Hd. 1/4-20 x 1 in. Gr 5 |
| 33 | 902300 | 4 | Capscrew, Hex Hd. 3/8-16 x 1 in. Gr 5 |
| 34 | 902884 | 1 | Capscrew, Hex Hd. 3/8-16 x 2-1/2 in. Gr 5 |
| 35 | 902367 | 8 | Capscrew, Hex Hd. 3/8-16 x 1-1/4 in. Gr 5 |
| 36 | 903848 | 1 | Capscrew, Hex Hd. 3/8-16 x 1-1/2 in. Gr 5 |
| 37 | 900493 | 12 | Washer, Flat, 1/4 in. |

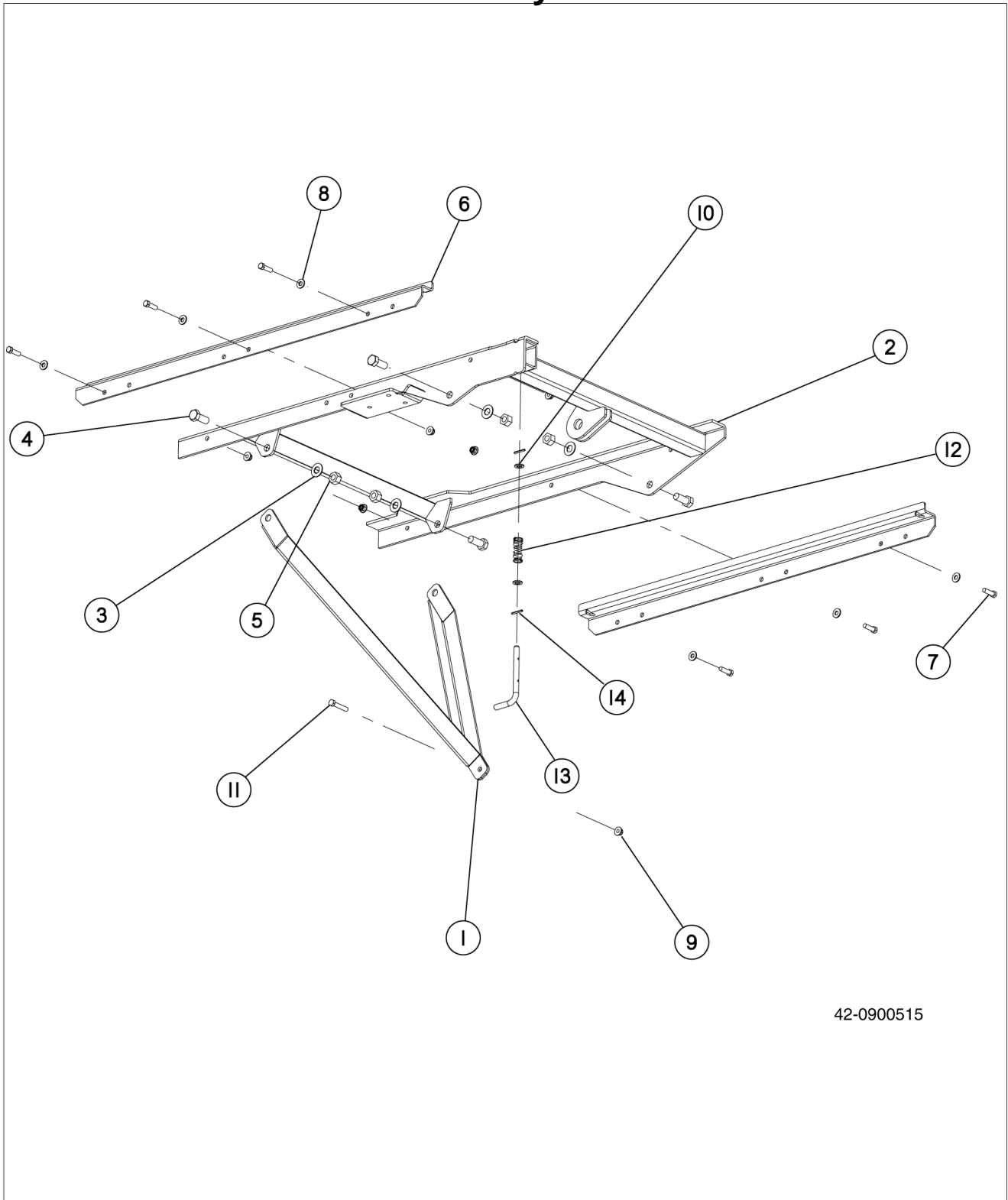
Section 3

3.03 Single Conveyor

| Item | Part No. | Quantity | Description |
|-------------|-----------------|-----------------|---|
| 38 | 900495 | 8 | Washer, Flat, 3/8 in. |
| 39 | 901937 | 8 | Washer, Flat, 1/2 in. |
| 40 | 904092 | 12 | Nut, Hex Lock, 1/4-20 |
| 41 | 906400 | 11 | Nut, Hex Lock, 3/8-16 |
| 42 | 906401 | 9 | Nut, Hex Lock, 1/2-13 |
| 45 | 903306 | 9 | Capscrew, Hex Hd. 1/2-13 x 1-1/2 in. Gr 5 |
| 46 | 42.1520773 | 1 | Sprocket, Idle (G6060 & PB6000 Only) |
| 47 | 42.1501324 | 1 | Polyethelene, High Density (Used On G6060 & PB6000 Only) |
| 49 | 42.1501519 | 1 | Grease Line - 3/16 in. x 40 in. (Used On G6060 & PB6000 Only) |
| | 42.1501517 | 1 | Grease Line - 3/16 in. x 20.5 in. (Used On G6070 Only) |
| 50 | 42.1501611 | 1 | Adapter, Swivel |
| 51 | 42.6008075 | 1 | Door Assembly, Conveyor with Hooks |
| 52 | 42.6008003 | 1 | Conveyor Complete (Used On G6060 & PB6000 Only) |
| | 42.6008072 | 1 | Guide, Chain Conveyor - Left (G6060 & PB6000 Only) Not Shown |
| | 42.6008073 | 1 | Guide, Chain Conveyor - Right (G6060 & PB6000 Only) Not Shown |
| | 42.1501611 | AR | Fitting, Hose End Swivel (Use With Grease Lines) |
| 53 | 42.6008058 | 1 | Angle, Slide Frame Clamp (G6060 & PB6000 Only) |

This Page Intentionally Left Blank

3.04 Conveyor Support/Slide Assembly, Split & Single Conveyor

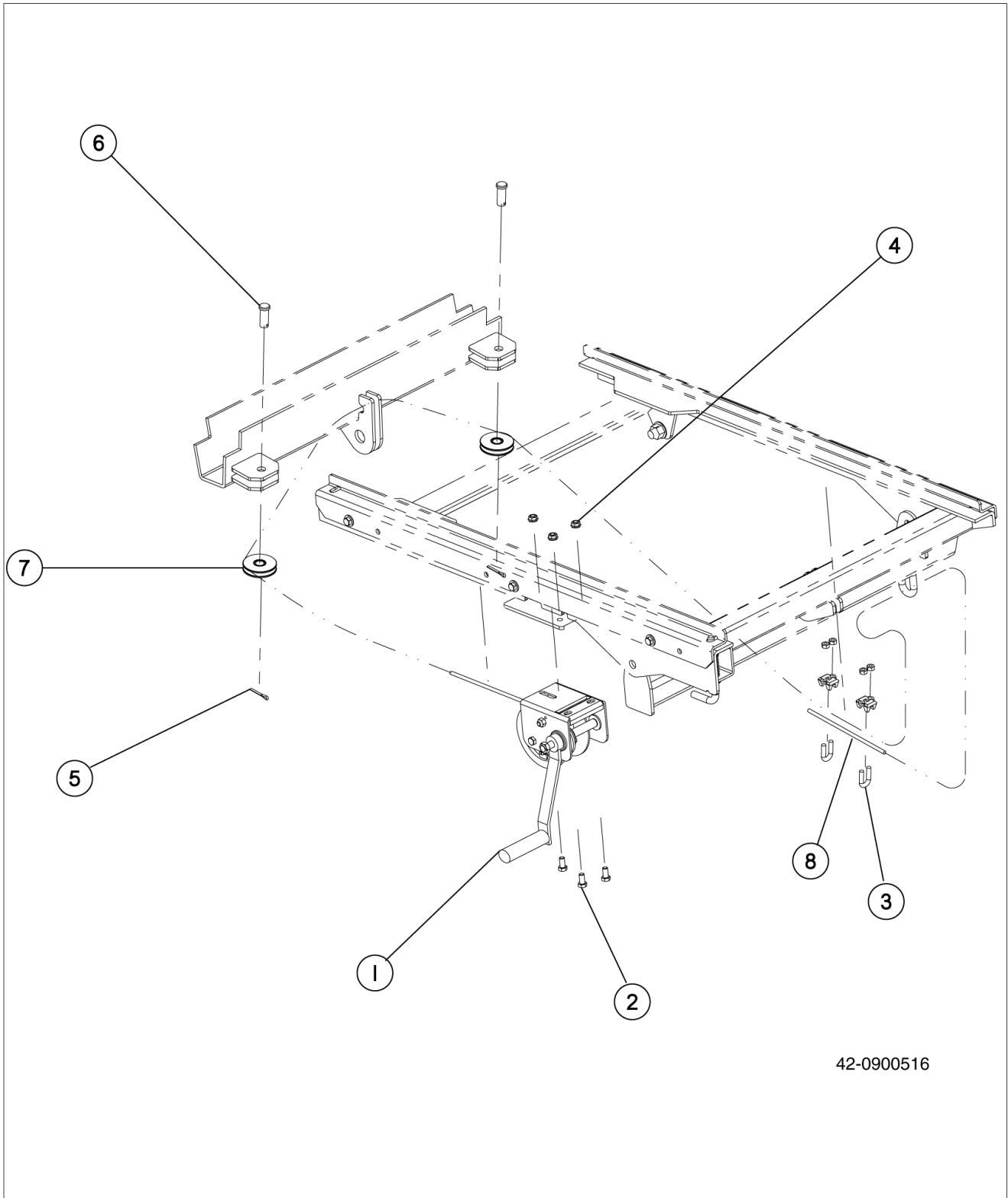


42-0900515

3.04 Conveyor Support/Slide Assembly, Split & Single Conveyor

| Item | Part No. | Quantity | Description |
|------|------------|----------|--|
| 1 | 42.0901533 | 1 | Stabilizer, Conveyor Angle Adjustment |
| 2 | 42.0900441 | 1 | Frame, Conveyor Slide |
| 3 | 904763 | 4 | Washer, Flat, 5/8 in. SAE |
| 4 | 901619 | 4 | Bolt, Hex, 5/8-11 x 1-1/2 in. Gr 5 |
| 5 | 906402 | 4 | Nut, Hex Lock, 5/8-11 Nylock |
| 6 | 42.0900484 | 2 | Hold Down, Conveyor |
| 7 | 902367 | 6 | Bolt, Hex, 3/8-16 x 1-1/4 in. Gr 5 |
| 8 | 901105 | 6 | Washer, Flat, 3/8 in. SAE |
| 9 | 907779 | 7 | Nut, Hex Nylon Flange Lock, 3/8-16 Yellow Zinc |
| 10 | 900509 | 2 | Bushing, Machine, 1/2 in. x 14 Ga. |
| 11 | 901633 | 1 | Bolt, Hex, 3/8-16 x 2 in. Gr 5 |
| 12 | 07.17764 | 1 | Spring, Compression |
| 13 | 17.00750 | 1 | Pin, Cam Lever |
| 14 | 904246 | 2 | Pin, Spring, 5/32 in. x 1-1/4 in. |

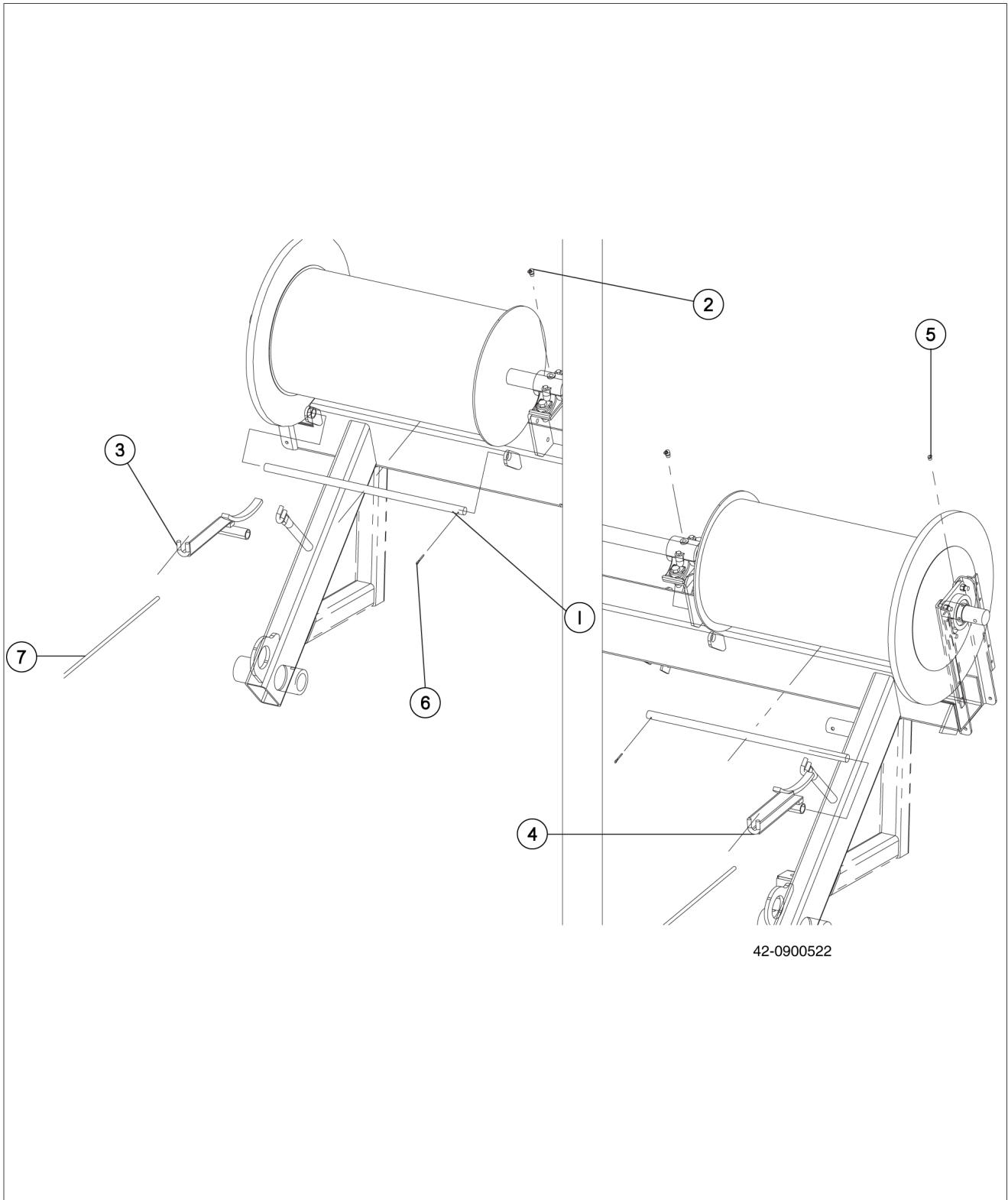
3.05 Conveyor Lift Assembly - Manual



3.05 Conveyor Lift Assembly - Manual

| Item | Part No. | Quantity | Description |
|------|------------|----------|---|
| 1 | 42.0900434 | 1 | Winch, Brake |
| 2 | 902300 | 3 | Bolt, Hex, 3/8-16 x 1 in. Yellow Zinc |
| 3 | 900143 | 2 | Clamp, Cable, 1/4 in. |
| 4 | 903437 | 3 | Nut, Hex Whiz Lock, 3/8-16 |
| 5 | 901292 | 2 | Pin, Cotter, 5/32 in. x 1-1/4 in. Stainless Steel |
| 6 | 18.00097 | 2 | Pin, Clevis, 5/8 in. x 1-1/2 in. Zinc |
| 7 | 42.1501279 | 2 | Pulley, 2-1/2 in. OD x 1/4 in. Cable x 5/8 in. ID |
| 8 | 42.0900554 | 1 | Cable, Conveyor Lift, 1/4 in. x 17 Ft. |

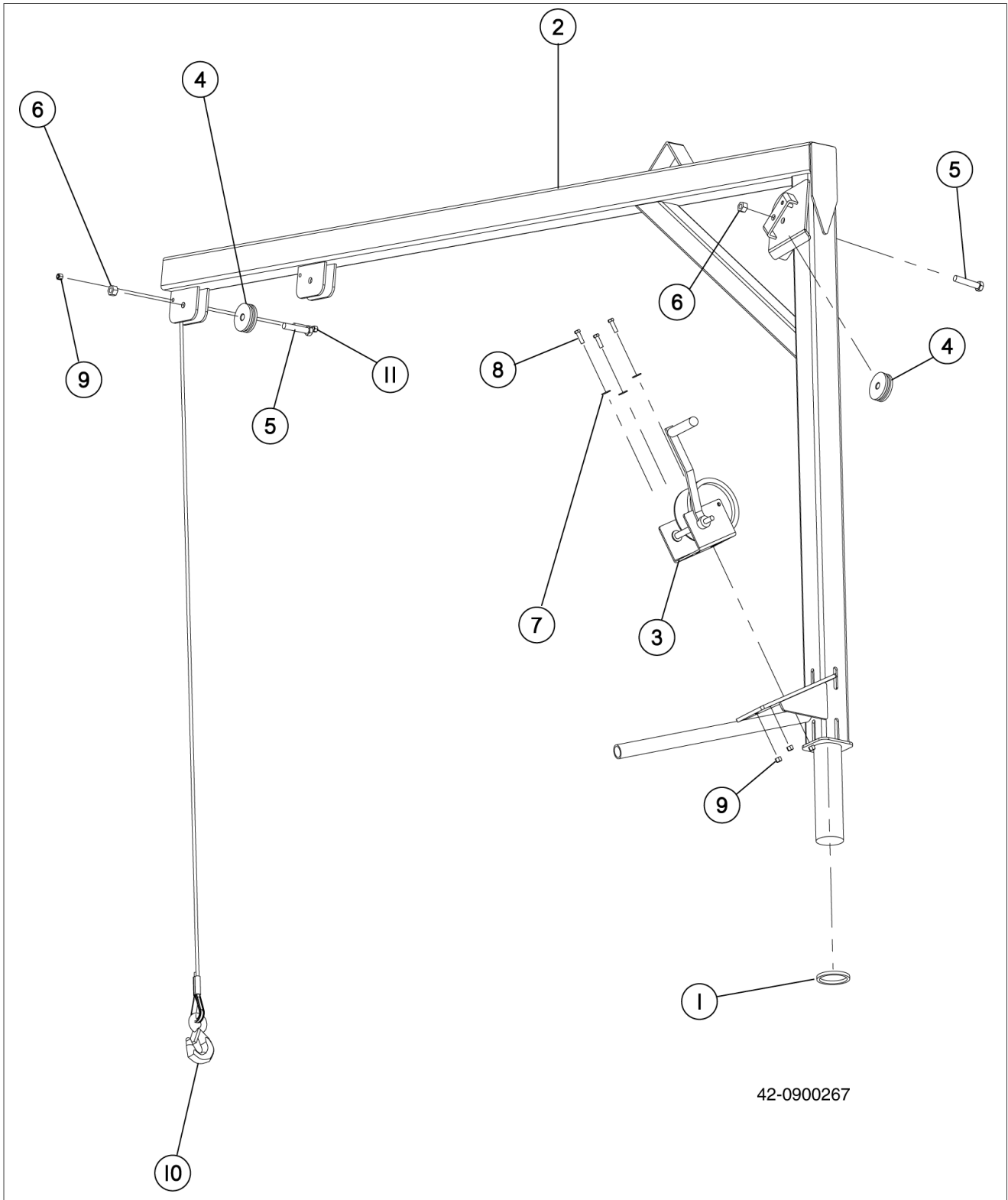
4.01 Cable/Guide Assembly



4.01 Cable/Guide Assembly

| Item | Part No. | Quantity | Description |
|------|------------|----------|---|
| 1 | 42.1030069 | 2 | Rod, Cable Rewind |
| 2 | 905401 | 2 | Zerk, Grease, 1/4-28, 65° |
| 3 | 42.6003014 | 1 | Guide, Cable Rewind, Right |
| 4 | 42.6003013 | 1 | Guide, Cable Rewind, Left |
| 5 | 900665 | 2 | Zerk, Grease, 1/8, 45° |
| 6 | 901292 | 2 | Pin, Cotter, 5/32 x 1-1/4 in. Stainless Steel |
| 7 | 42.1590065 | 2 | Cable, 7/16 x 195 Ft. |

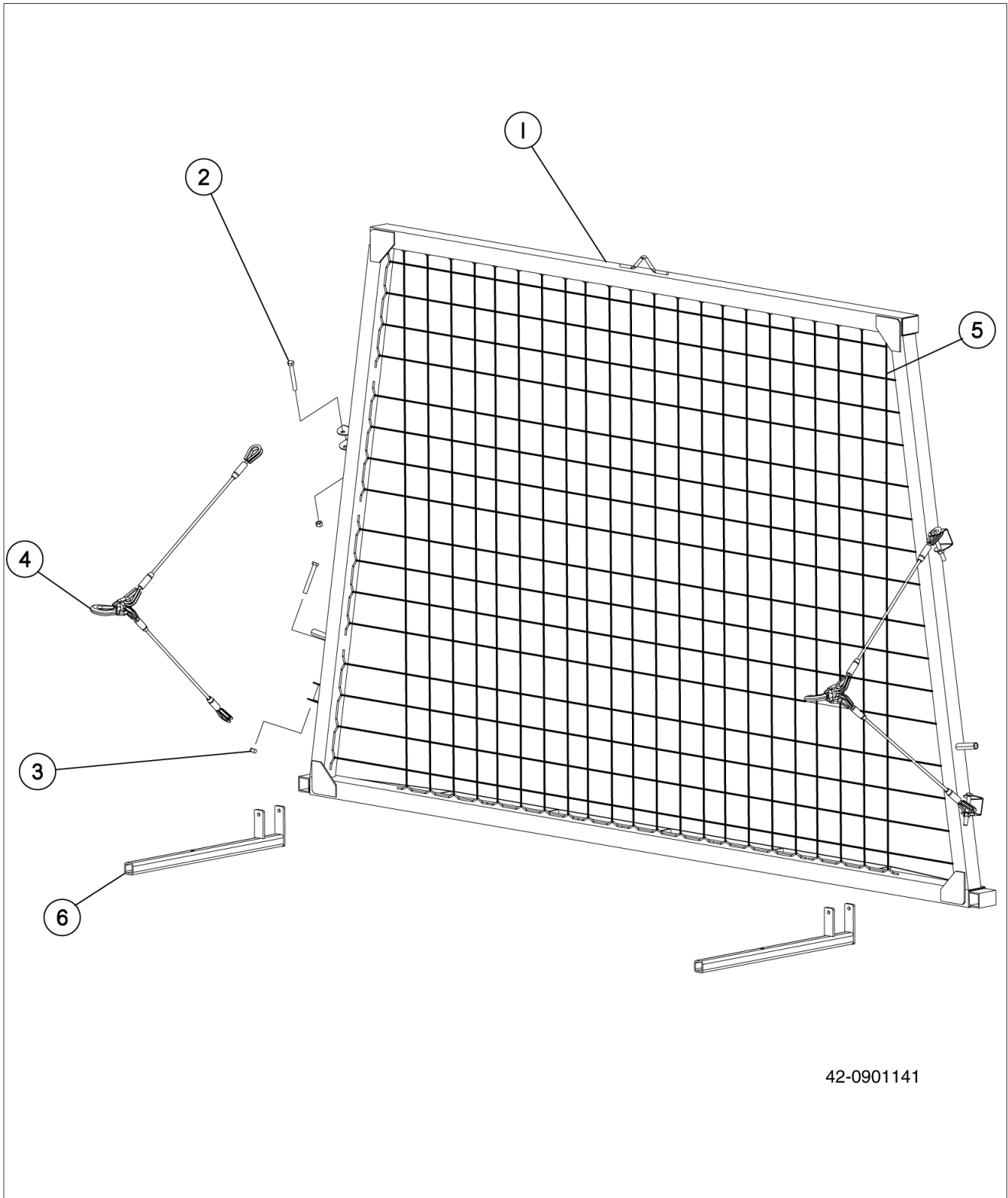
4.02 Bag Boom



4.02 Bag Boom

| Item | Part No. | Quantity | Description |
|------|------------|----------|--------------------------------------|
| 1 | 42.1060039 | 1 | Spacer, Bag Boom, Bronz, 2-15/16 in. |
| 2 | 42.0900385 | 1 | Frame, Bag Boom, 8-10 Ft. |
| 3 | 42.0900397 | 1 | Winch, Brake |
| 4 | 42.1060036 | 2 | Pulley, Bag Boom, 3 in. UHMW |
| 5 | 903849 | 2 | Bolt, Hex, 5/8-11 x 3 in. Gr 5 |
| 6 | 906402 | 2 | Nut, Hex Lock, 5/8-11 Nylock |
| 7 | 900495 | 3 | Washer, Flat, 3/8 in. |
| 8 | 902367 | 3 | Bolt, Hex, 3/8-16 x 1-1/4 in. Gr 5 |
| 9 | 906400 | 4 | Nut, Hex Lock, 3/8-16 Nylock |
| 10 | 42.1501691 | 1 | Cable, 1/4 x 30 Ft, w/Hook |
| 11 | 902884 | 1 | Bolt, Hex, 3/8-16 x 2-1/2 in. Gr 5 |

5.01 Backstop, Steel

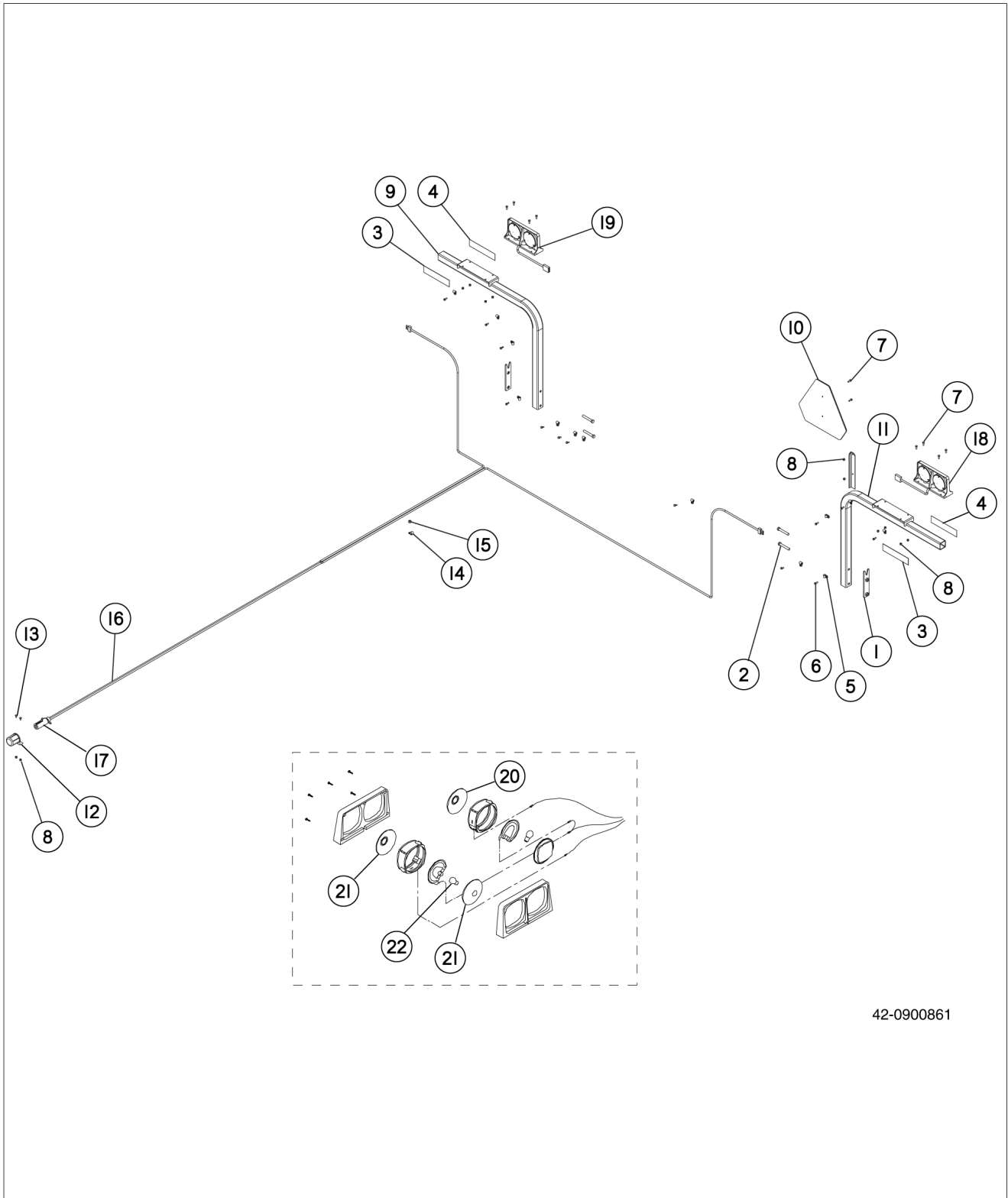


42-0901141

5.01 Backstop, Steel

| Item | Part No. | Quantity | Description |
|------|------------|----------|---|
| 1 | 42.1090008 | 1 | Backstop, 10 Ft - G6070 & G6070P Only |
| | 42.1090014 | 1 | Backstop, 8-9 Ft - G6060 & PB6000 Only |
| 2 | 904217 | 4 | Bolt, Hex, 5/8-11 x 5 in. Gr 5 |
| 3 | 906402 | 4 | Nut, Hex Lock, 5/8-11 Nylock |
| 4 | 42.1500412 | 2 | Sling, Backstop Cable, 7/16 x 35 in. |
| 5 | 42.1560006 | 1 | Rope, Backstop, 3/8 x 400 Ft (10 Ft Backstop) |
| | 42.1560005 | 1 | Rope, Backstop, 3/8 x 300 Ft (8-9 Ft Backstop) |
| 6 | 42.1090026 | 2 | Support, Backstop Transport - Long - G6060, G6070 & G6070P Without Tunnel Extensions Only |
| | 42.6006063 | 2 | Support, Backstop Transport - Long - G6060, G6070 & G6070P With Tunnel Extensions Only |

6.01 Transport Lights & Light Stand - PB6000

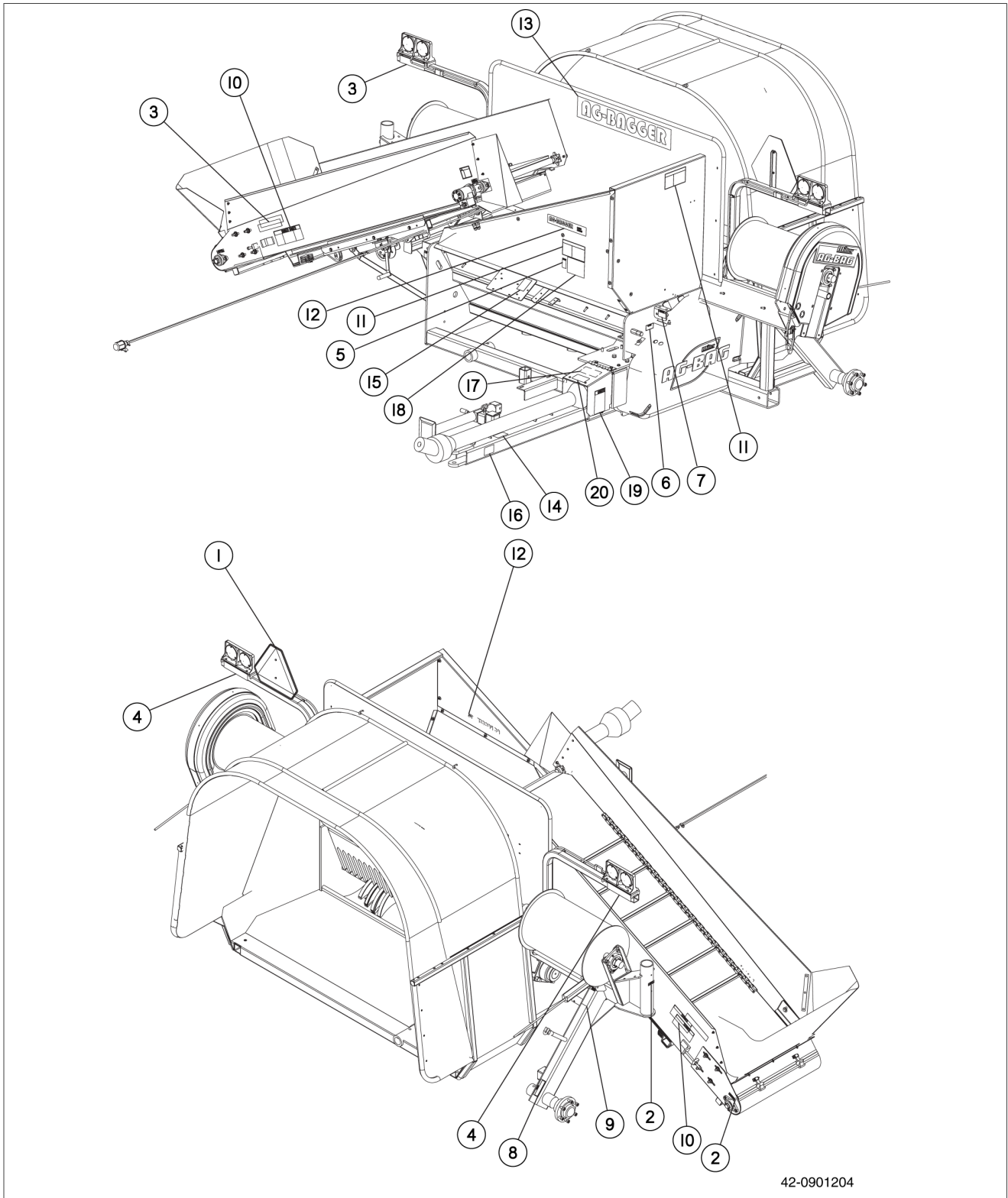


42-0900861

6.01 Transport Lights & Light Stand - PB6000

| Item | Part No. | Quantity | Description |
|------|------------|----------|--|
| 1 | 42.0900481 | 2 | Plate, Light Mount Weldment |
| 2 | 903854 | 4 | Bolt, Hex, 1/2-13 x 3-1/4 in. Yellow Zinc |
| 3 | 907220 | 2 | Decal, Yellow Retroreflective, 2 x 9 in. |
| 4 | 907219 | 2 | Decal, Red Retroreflective, 2 x 9 in. |
| 5 | 21.22733 | 13 | Clamp, Vinyl, .38 in. dia. |
| 6 | 907348 | 13 | Screw, Hex Hd, 1/4-20 x 3/4 in. Thread Cutting Stainless Steel |
| 7 | 904863 | 10 | Bolt, Hex, 1/4-20 x 3/4 in. Gr 5 |
| 8 | 904092 | 12 | Nut, Hex Lock, 1/4-20 Nylock |
| 9 | 42.0901785 | 1 | Bracket, Light, Right Side w/Decals |
| 10 | 907521 | 1 | SMV w/ Plastic Backing |
| 11 | 42.0901786 | 1 | Bracket, Light, Left Side w/Decals |
| 12 | 16.20165 | 1 | Holder, Plug Storage |
| 13 | 905011 | 2 | Bolt, Hex, 1/4-20 x 1/2 in. Gr 5 |
| 14 | 17.00650 | 1 | Clamp, Single, .63 in. I.D. |
| 15 | 906400 | 1 | Nut, Hex Lock, 3/8-16 Nylock |
| 16 | 42.0900489 | 1 | Harness, Lights (Includes Item 17) |
| 17 | 16.10818 | 1 | Plug, Light Cord (Included In Item 16) |
| 18 | 42.0900462 | 1 | Light, Dual Lamp, Amber/Red, Left Side |
| 19 | 42.0900463 | 1 | Light, Dual Lamp, Amber/Red, Right Side |
| 20 | 907311 | 2 | Lens, Red (Wesbar) |
| | 908187 | 2 | Lens, Red (Command) |
| 21 | 907312 | 4 | Lens, Amber (Wesbar) |
| | 908188 | 4 | Lens, Amber (Command) |
| 22 | 21.20917 | 4 | Bulb, #1157 |

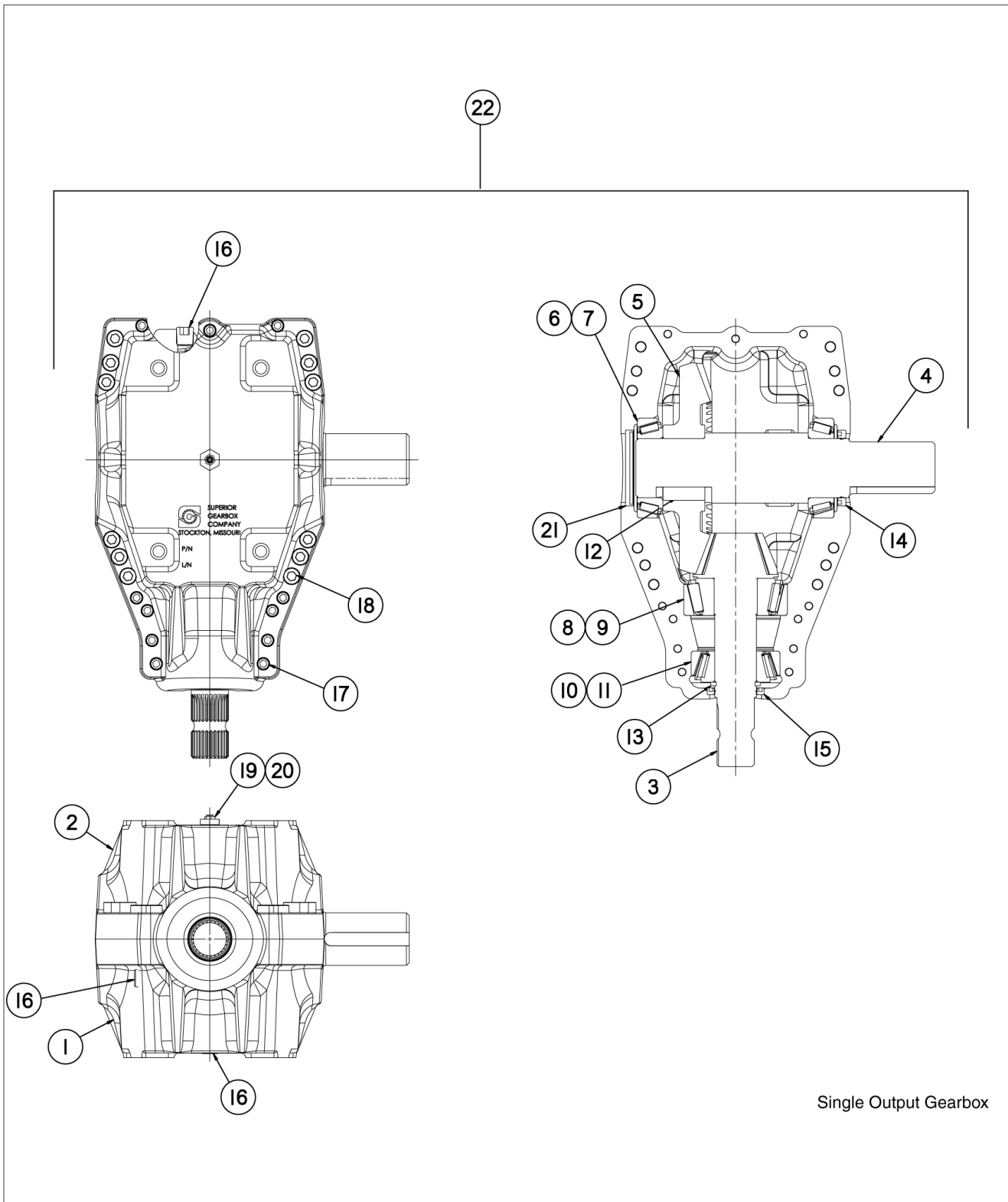
6.02 Safety Signs & Decals - PB6000



6.02 Safety Signs & Decals - PB6000

| Item | Part No. | Quantity | Description |
|------|------------|----------|--|
| 1 | 907521 | 1 | SMV w/ Plastic Backing |
| 2 | 907510 | 9 | Decal, Grease |
| 3 | 907220 | 3 | Decal, Yellow Retroreflective, 2 x 9 in. |
| 4 | 907219 | 2 | Decal, Red Retroreflective, 2 x 9 in. |
| 5 | 42.1530065 | 1 | Decal, Notice, Tractor Neutral |
| 6 | 42.1530054 | 1 | Decal, Oil Chain |
| 7 | 42.0900837 | 2 | Decal, Grease Rotor Bearing |
| 8 | 42.0900823 | 2 | Decal, Important, Lug Nuts |
| 9 | 42.0900822 | 2 | Safety Sign, Warning Cable Entanglement |
| 10 | 42.0900821 | 2 | Safety Sign, Danger, Conveyor Entanglement |
| 11 | 42.0900820 | 2 | Safety Sign, Danger, Rotor Entanglement |
| 12 | 42.0900012 | 1 | Decal, Ag-Bagger 6000 Series |
| 13 | 42.0900010 | 1 | Decal, Ag-Bagger, 5 in. Blue |
| 14 | 340248B1 | 1 | Safety Sign, Caution 540 RPM |
| 15 | 21.09024 | 1 | Safety Sign, Warning, High Pressure Oil |
| 16 | 17.01155 | 2 | Safety Sign, Warning, Foot Crushing |
| 17 | 16.20179 | 2 | Safety Sign, Warning, Shield Is Off |
| 18 | 16.20178 | 1 | Safety Sign, Warning, Before Operating |
| 19 | 16.20177 | 2 | Safety Sign, Danger, Rotating Drive Line |
| 20 | 01.77800 | 1 | Safety Sign, Warning, No Step |

7.01 Gearbox, Single Output

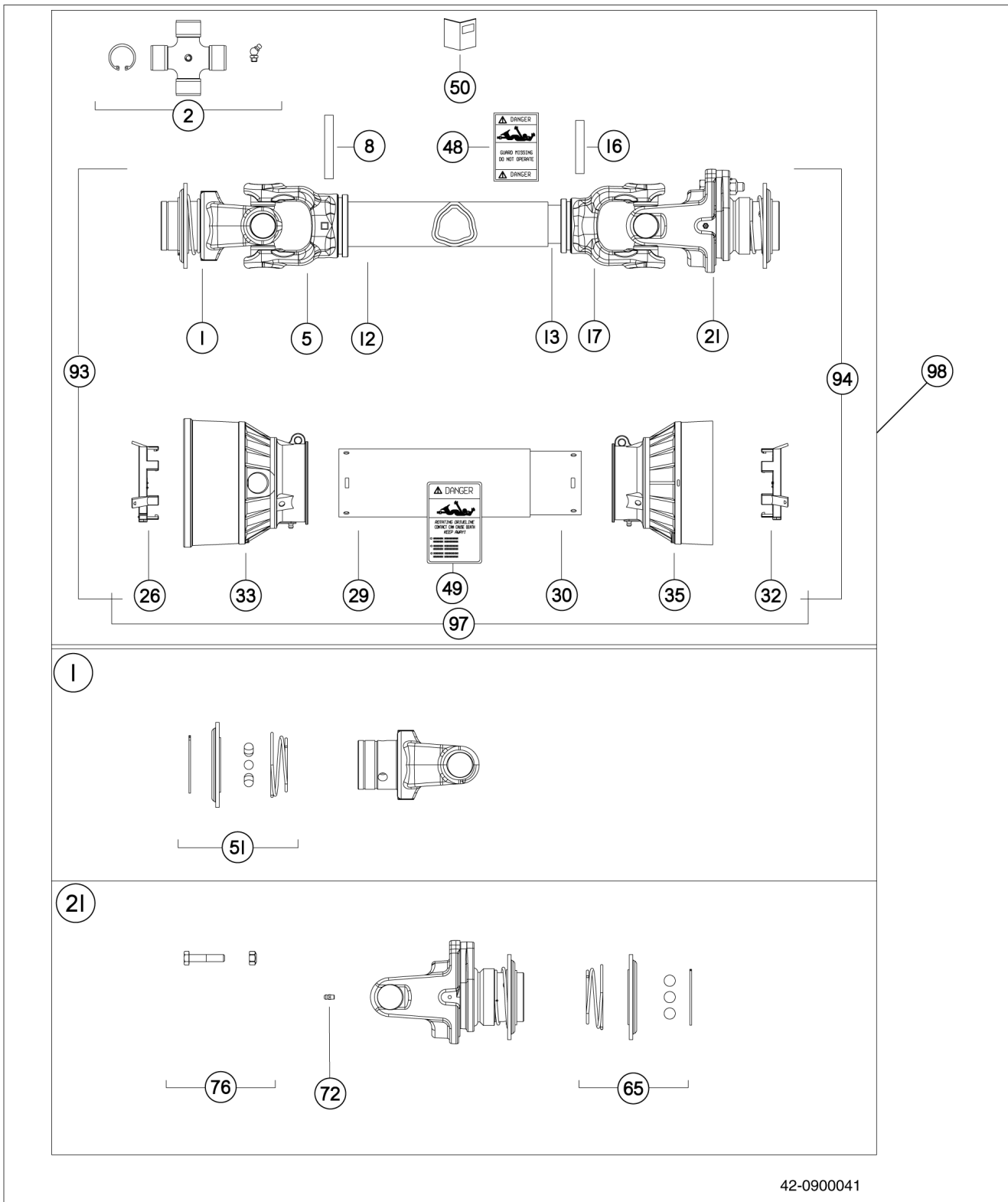


7.01 Gearbox, Single Output

| Item | Part No. | Quantity | Description |
|------|------------|----------|-------------------------------------|
| 1 | 42.0000317 | 1 | Housing, R700 TAP 1/2-14 Side |
| 2 | 42.0000318 | 1 | Housing, R700 THRU Improved |
| 3 | 42.1520316 | 1 | Pinion Gear |
| 4 | 42.1500380 | 1 | Shaft, Cross 700110 |
| 5 | 42.1520774 | 1 | Gear |
| 6 | 42.1510215 | 2 | Bearing Cup, 4.6250 VN-33462 |
| 7 | 42.1510214 | 2 | Bearing Cone, 2.750 VN-33275 |
| 8 | 42.1510199 | 1 | Bearing Cup, TMKN# 5535 |
| 9 | 42.1510059 | 1 | Bearing Cone, TMKN# 5565 |
| 10 | 905456 | 1 | Bearing Cup, 4.125 VN-HM807010 |
| 11 | 42.1510060 | 1 | Bearing Cone, TMKN# HM807044 |
| 12 | 42.0901100 | 1 | Key, 5/8 x 5/8 x 1.945 |
| 13 | 42.1500338 | 1 | Retaining Ring, External, 1.938 |
| 14 | 42.1500356 | 2 | Seal, 2.750 - 3.500 x .375 |
| 15 | 42.1500355 | 1 | Seal, 1.937 - 2.623 x .312 |
| 16 | 903096 | 3 | Plug, 1/2-14 NPT, Socket Head |
| 17 | 906385 | 11 | Bolt, SHCS, 3/8-16 x 2-1/4 in. |
| 18 | 907896 | 12 | Bolt, SHCS, 1/2-13 x 2-1/4 in. Gr 8 |
| 19 | 904768 | 1 | Bushing, 1/2 NPT To 1/8 NPT |
| 20 | 906386 | 1 | Plug, Vent, 5 psi |
| 21 | 907897 | 1 | End Cap, CP - 3.500 x .375 |
| 22 | 42.1520051 | 1 | Gearbox, Complete |

Section 8

8.01 PTO Shaft - PB6000 & (G6060 up to 2009 Production)

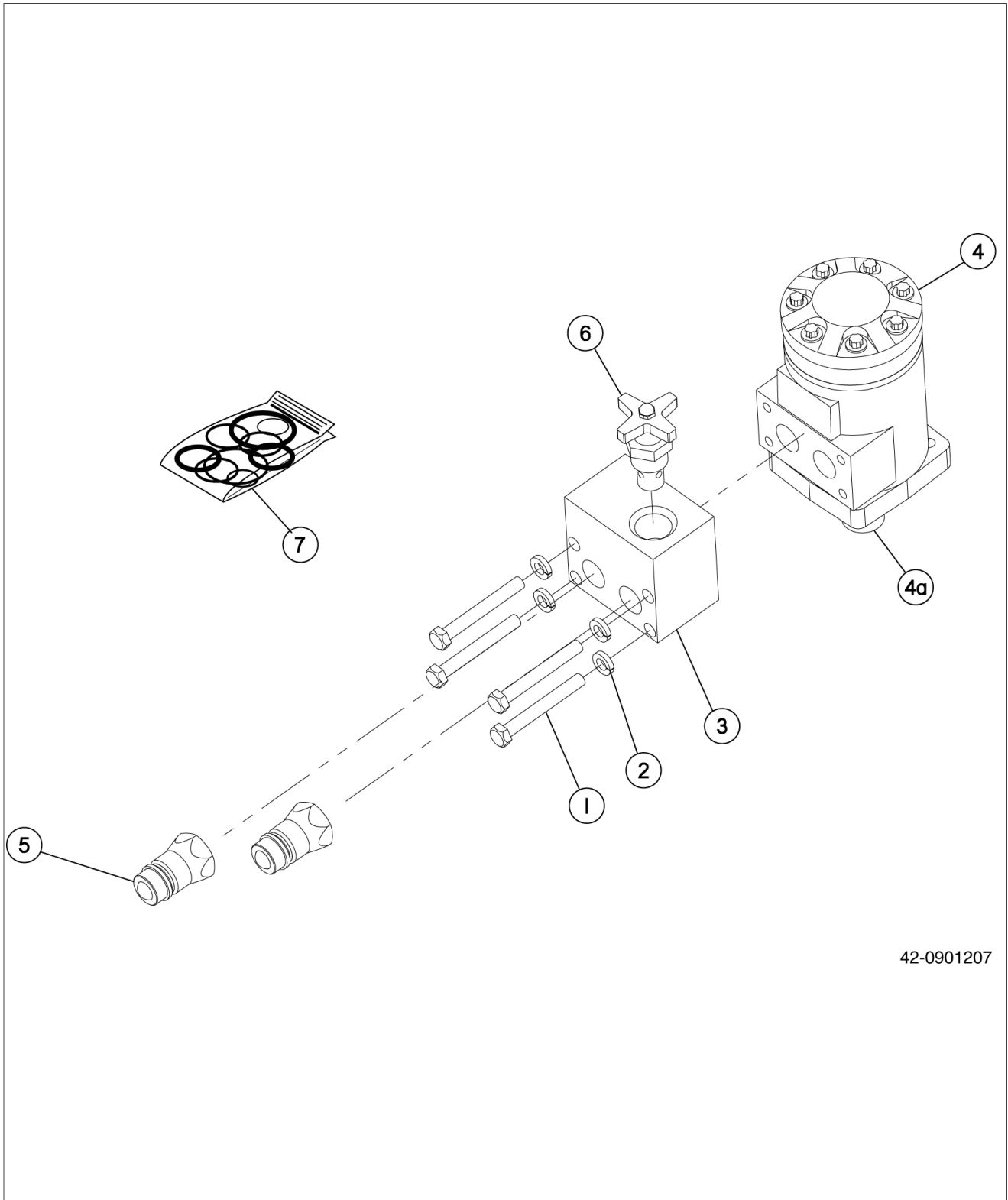


42-0900041

8.01 PTO Shaft - PB6000 & (G6060 up to 2009 Production)

| Item | Part No. | Quantity | Description |
|------|------------|----------|---|
| 1 | 42.0901553 | 1 | Yoke, #6/S7, 1-3/8 in. Z6 Ball |
| 2 | 42.1500875 | 2 | Cross Kit, #6, 30.2 x 91.4 |
| 5 | 42.1501636 | 1 | Yoke |
| 8 | 42.1501853 | 1 | Flexible Roll Pin, #6/7 Outer, 10 x 75mm |
| 12 | 42.0901555 | 1 | Tube |
| 13 | 42.0901556 | 1 | Tube, CARDAN #6 Inner |
| 16 | 42.1520749 | 1 | Flexible Roll Pin, #6/7 Inner, 10 x 65mm |
| 17 | 42.1501858 | 1 | Yoke, #6 Inner Tube |
| 21 | 42.0900043 | 1 | Yoke, Ball Shear #6, 1-3/4 in. 27QD |
| 26 | 42.1501047 | 1 | Shield Support, #6-7 Outer 6G502 |
| 29 | NSS | 1 | Safety Tube (Not Serviced Separately) |
| 30 | NSS | 1 | Safety Tube (Not Serviced Separately) |
| 32 | 42.1501048 | 1 | Shield Support, #6-7 Inner 6G602 |
| 33 | NSS | 1 | I.Cone, Shield Cone, #5-6-7 Inner (Not Serviced Separately) |
| 35 | NSS | 1 | I.Cone, Shield Cone, #5-6-7 Inner (Not Serviced Separately) |
| 48 | 331639B2 | 1 | Danger Label, Outer Drive Tube |
| 49 | 329594B2 | 1 | Danger/Shield Label |
| 50 | NSS | 1 | Instruction Booklet (Not Serviced) |
| 51 | 42.0901557 | 1 | Kit, Ball Collar, 1-3/8 in. #6 |
| 65 | 42.0000692 | 1 | Kit, RT Ball Collar S5/S9, 1-3/4 in. |
| 72 | NSS | 1 | Grease Fitting, M6 x 1 Straight (Not Serviced Separately) |
| 76 | 42.0900156 | 1 | Screws, Bolt-Nut M10 x 50mm CL8.8 |
| 91 | NSS | 1 | Half Shaft, Uncleared (Not Serviced Separately) |
| 92 | NSS | 1 | Half Shaft, Uncleared (Not Serviced Separately) |
| 93 | NSS | 1 | Half Shaft, Cleared (Not Serviced Separately) |
| 94 | NSS | 1 | Half Shaft, Cleared (Not Serviced Separately) |
| 95 | NSS | 1 | Half Shield Kit (Not Serviced Separately) |
| 96 | NSS | 1 | Half Shield Kit (Not Serviced Separately) |
| 97 | 42.0901558 | 1 | Complete Shield Kit |
| 98 | 42.0000041 | 1 | PTO Shaft, Complete |

9.01 Hydraulic Drive Assembly - Single Conveyor



42-0901207

9.01 Hydraulic Drive Assembly - Single Conveyor

| Item | Part No. | Quantity | Description |
|------|------------|----------|---|
| 1 | 902532 | 4 | Bolt, Hex, 5/16-18 x 2-1/2 in. Gr 5 |
| 2 | 900503 | 4 | Washer, Lock, 5/16 in. |
| 3 | 42.1541237 | 1 | Valve, Conveyor Motor, Aluminum Body w/Plug |
| 4 | 42.1540898 | 1 | Motor, Hydraulic, Charlyn, 101-1019 |
| 4a | 42.0901800 | 1 | Key, Shaft (Hydraulic Motor) |
| 5 | 42.1540116 | 2 | Coupler, Quick Disconnect, 1/2 in. Male, 1/2 NPTF |
| 6 | 42.1540025 | 1 | Cartridge, Pressure Relief Valve |
| 7 | 16.21179 | 1 | Seal Kit, Hydraulic Motor Item 4 |

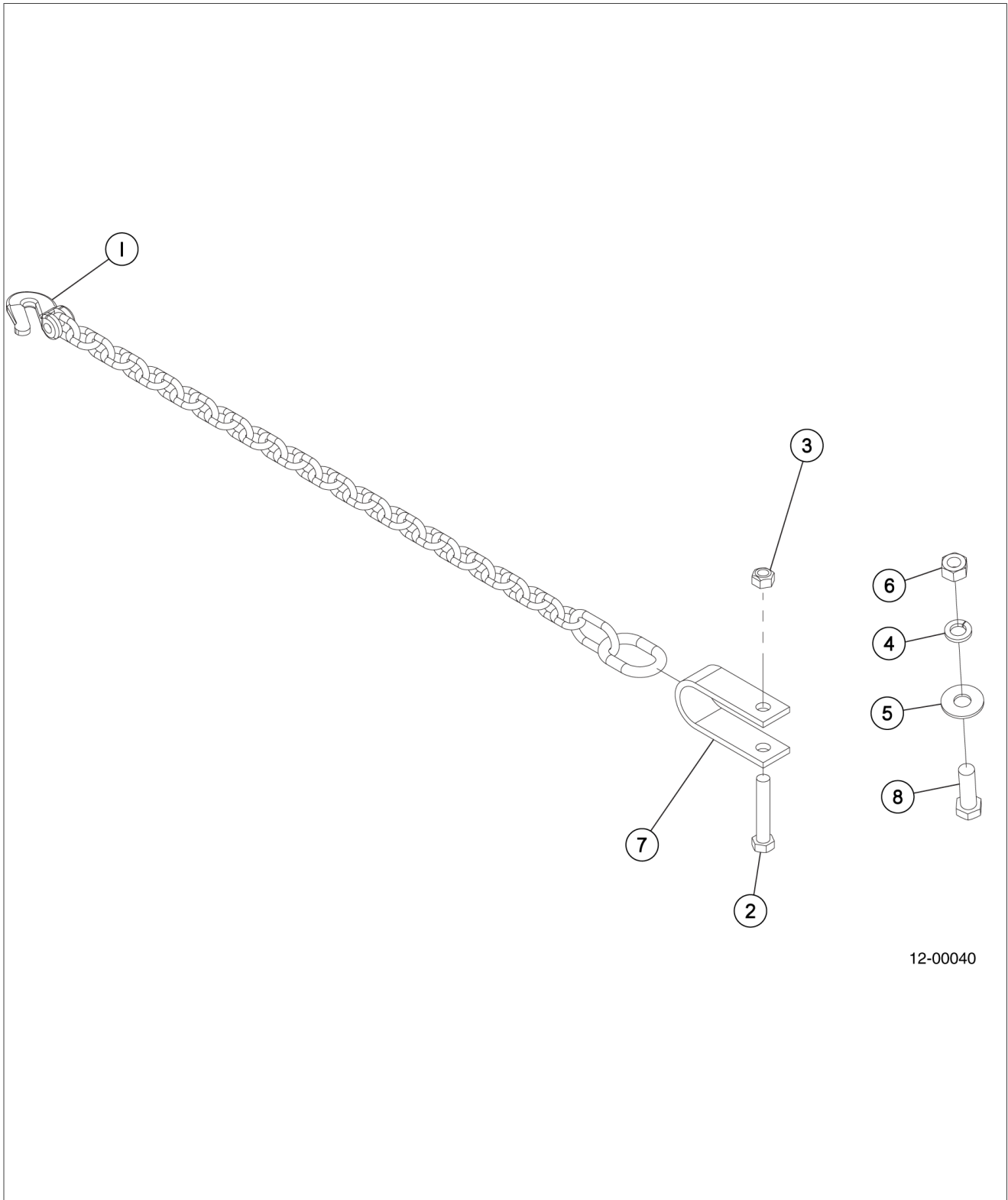
10.01 Miscellaneous Items



10.01 Miscellaneous Items

| Item | Part No. | Quantity | Description |
|------|------------|----------|--|
| 1 | 42.1500893 | AR | Valve, Bag Vent |
| 2 | 42.1500568 | AR | Tool, Bag Vent |
| | 42.1570001 | AR | Spray Adhesive - Not Shown |
| | 42.1500534 | AR | Koster Moisture Tester - Not Shown |
| | 42.1500523 | 18/Case | Repair Tape, 2 in. x 36 Yard Roll - Not Shown |
| | 42.1500525 | 24/Case | Repair Tape, 3 in. x 36 Yard Roll - Not Shown |
| | 42.1501331 | 18/Case | Repair Tape, 4 in. x 36 Yard Roll - Not Shown |
| 3 | 42.1500272 | AR | Master Seal, 250 Ft Roll |
| | 42.1500270 | AR | Master Seal, 9.5 ft Lengths 4/Box |
| | 42.1500267 | AR | Master Seal, 14.5 ft Lengths 4/Box For 8 & 9 ft Bags |
| | 42.1500268 | AR | Master Seal, 17 ft Lengths 4/Box For 10 ft Bags |
| | 42.1500269 | AR | Master Seal, 20 ft Lengths 4/Box For 11 & 12 ft Bags |
| 4 | 42.1500273 | AR | Master Seal Zip Tool |
| 5 | 42.00000 | AR | Inoculant, Granular, 50 lb Bucket (Treats 100 Ton) |
| 6 | 42.00001 | AR | Inoculant, Liquid 50 Ton Foil Pouch |
| | 42.00002 | AR | Inoculant, Liquid 250 Ton Foil Pouch For Inject. Sprayer |
| | 42.1500473 | 1 | Liquid Inoculant Applicator, 15 Gallon Sprayer - Not Shown |
| | 42.1500474 | 1 | Liquid Inoculant Applicator, 27 Gallon Sprayer - Not Shown |
| | 42.1500475 | 1 | Liquid Inoculant Applicator, 55 Gallon Sprayer - Not Shown |
| | 42.1501207 | 1 | Bird Netting, 30 x 100 Ft - Not Shown |
| | 42.1501283 | 1 | Bird Netting, 30 x 375 Ft - Not Shown |
| | 42.1501208 | 1 | Bird Netting, 30 x 500 Ft - Not Shown |

10.02 Safety Chain Kit

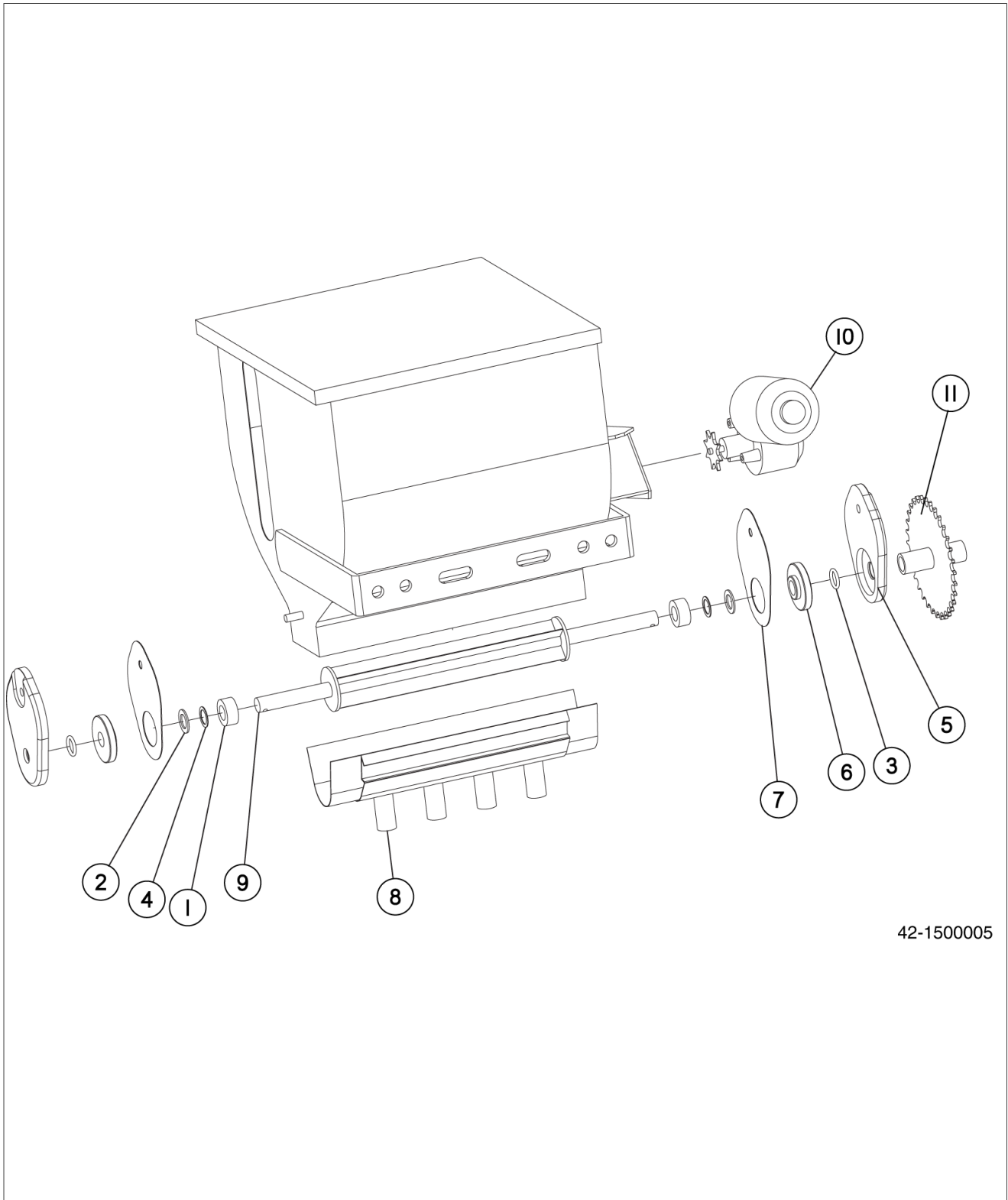


12-00040

10.02 Safety Chain Kit

| Item | Part No. | Quantity | Description |
|------|----------|----------|------------------------------------|
| 1 | 907673 | 1 | Chain, Safety |
| 2 | 904635 | 1 | Bolt, Hex, 5/8-11 x 3-1/2 in. Gr 5 |
| 3 | 902193 | 1 | Nut, Hex Top Lock, 5/8-11 |
| 4 | 900700 | 1 | Washer, Lock, 3/4 in. Yellow Zinc |
| 5 | 900499 | 1 | Washer, Flat, 3/4 in. |
| 6 | 900372 | 1 | Nut, Hex, 3/4-10 |
| 7 | 12.10006 | 1 | Clevis |
| 8 | 09.71754 | 1 | Bolt, Hex, 3/4-10 x 2-1/4 in. Gr 5 |

10.03 Gandy, 45 lb. Dry Inoculant Applicator

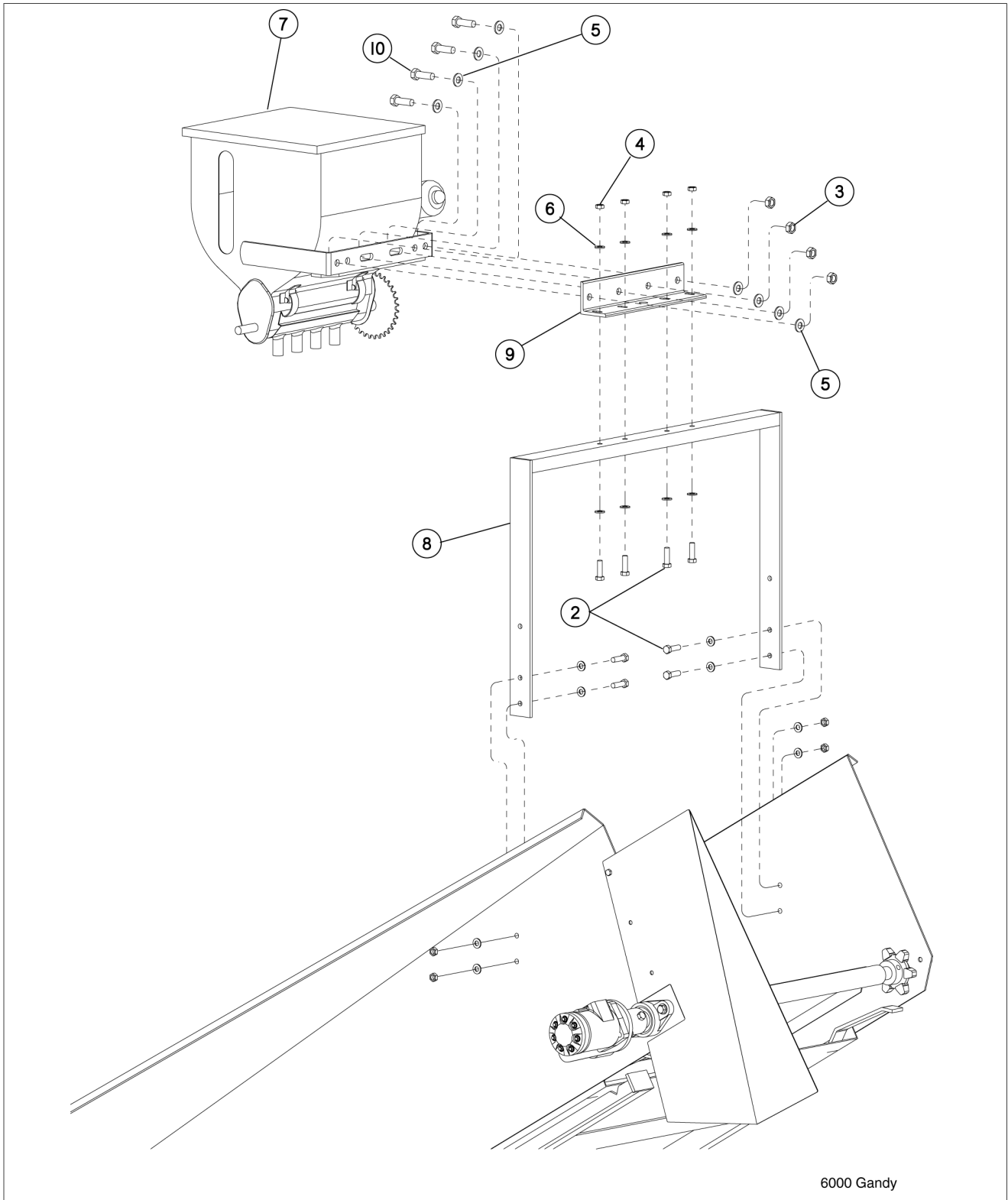


42-150005

10.03 Gandy, 45 lb. Dry Inoculant Applicator

| Item | Part No. | Quantity | Description |
|------|------------|----------|---------------------------------------|
| 1 | 42.1501991 | 2 | Washer, Sponge, Gandy |
| 2 | 42.1501922 | 2 | Washer, Gandy |
| 3 | 42.1501921 | 2 | O-Ring, Rubber, Gandy |
| 4 | 42.1501920 | 2 | Washer, Gandy |
| 5 | 42.1501630 | 2 | Retainer, Bearing |
| 6 | 42.1501628 | 2 | Bearing, Gandy |
| 7 | 42.1501621 | 2 | Gasket, Bearing Retainer, Gandy |
| 8 | 42.1500472 | 1 | Bottom/Slide, 4 Hole Straight, Jumbo |
| 9 | 42.1500344 | 1 | Rotor, Gandy, Jumbo 10 in. Rubber |
| 10 | 42.1500276 | 1 | Motor, Electric, w/Brackets & Harness |
| 11 | 42.1502070 | 1 | Sprocket |

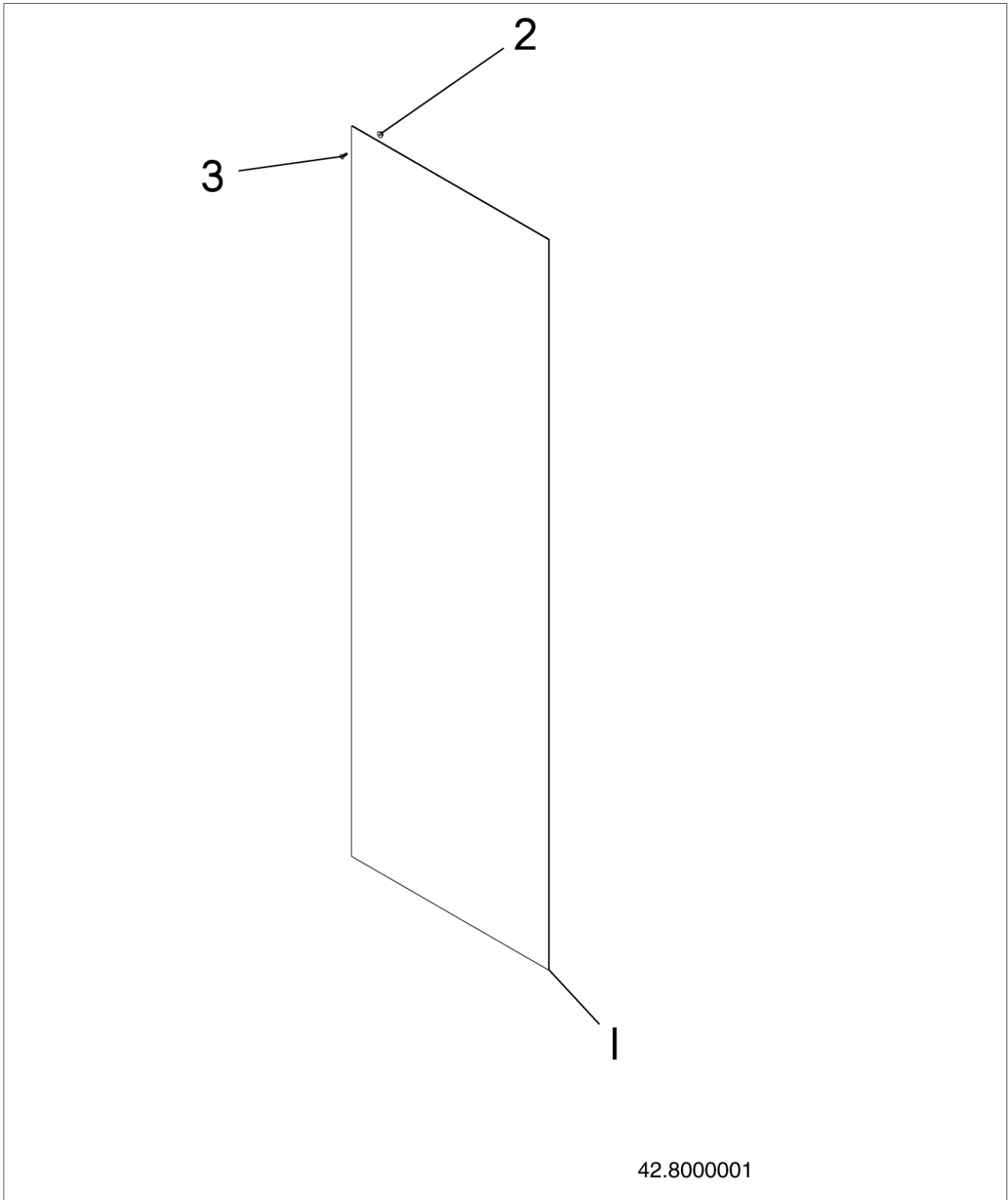
10.04 Gandy Box - PB6000



10.04 Gandy Box - PB6000

| Item | Part No. | Quantity | Description |
|------|------------|----------|---|
| 2 | 902300 | 8 | Capscrew, Hex Hd. 3/8-16 x 1 in. Gr 5 |
| 3 | 900369 | 4 | Nut, Hex Lock, 1/2-13 Nylock |
| 4 | 900366 | 8 | Nut, Hex Lock, 3/8-16 Nylock |
| 5 | 901937 | 8 | Washer, Flat, 1/2 in. |
| 6 | 900495 | 16 | Washer, Flat, 3/8 in. |
| 7 | 42.1500005 | 1 | Gandy Applicator - 4 Hole |
| 8 | 42.6012006 | 1 | Mount, Gandy Applicator |
| 9 | 42.1120038 | 1 | Bracket, Gandy Applicator |
| 10 | 902928 | 4 | Capscrew, Hex Hd. 1/2-13 x 1-1/4 in. Gr 5 |

10.05 Option: Conveyor Liner



10.05 Option: Conveyor Liner

| Item | Part No. | Quantity | Description |
|------|------------|----------|--|
| 1 | 42.1501324 | 1 | Sheet: Polyethylene - Hd 1/8 x 29-7/8 x 96 |
| 2 | 903376 | 4 | Hhdnut - Lock 1/4 Whiz |
| 3 | 908416 | 4 | Screw: Fshcs, 1/4-20 x 3/4 Yellow Zinc |



Part Number Index

The Part Number Index is a numeric index of all part numbers included in this manual. The index shows what page(s) the part is used on.

| Part Number | Page | Part Number | Page | Part Number | Page | Part Number | Page |
|-------------|--------|-------------|--------|-------------|--------|--------------|------------|
| 01.73266 | 7 | 42.0901100 | 37 | 42.1501398 | 7 | 42.6006037 | 9 |
| 01.77800 | 35 | 42.0901117 | 7 | 42.1501400 | 7 | 42.6006063 | 31 |
| 05.73120 | 7 | 42.0901121 | 7 | 42.1501517 | 20 | 42.6006074 | 9 |
| 07.17764 | 23 | 42.0901139 | 7 | 42.1501518 | 15 | 42.6006075 | 9 |
| 09.71112 | 15 | 42.0901142 | 11 | 42.1501519 | 20 | 42.6006077 | 9 |
| 09.71754 | 45 | 42.0901518 | 15 | 42.1501611 | 20 | 42.6006079 | 9 |
| 09.71756 | 15 | 42.0901519 | 15 | 42.1501621 | 47 | 42.6006081 | 9 |
| 09.72010 | 19 | 42.0901533 | 23 | 42.1501628 | 47 | 42.6006085 | 9 |
| 12.10006 | 45 | 42.0901553 | 39 | 42.1501630 | 47 | 42.6006086 | 9 |
| 16.10818 | 33 | 42.0901555 | 39 | 42.1501636 | 39 | 42.6006087 | 9 |
| 16.20165 | 33 | 42.0901556 | 39 | 42.1501691 | 29 | 42.6006088 | 9 |
| 16.20177 | 35 | 42.0901557 | 39 | 42.1501853 | 39 | 42.6006089 | 9 |
| 16.20178 | 35 | 42.0901558 | 39 | 42.1501858 | 39 | 42.6006113 | 9 |
| 16.20179 | 35 | 42.0901587 | 15 | 42.1501920 | 47 | 42.6006114 | 9 |
| 16.21179 | 19, 41 | 42.0901785 | 33 | 42.1501921 | 47 | 42.6008003 | 20 |
| 17.00650 | 33 | 42.0901786 | 33 | 42.1501922 | 47 | 42.6008004.9 | 19 |
| 17.00750 | 23 | 42.0901787 | 19 | 42.1501991 | 47 | 42.6008011 | 19 |
| 17.01155 | 35 | 42.0901788 | 19 | 42.1502070 | 47 | 42.6008018 | 19 |
| 18.00097 | 25 | 42.0901789 | 19 | 42.1502166 | 15 | 42.6008020 | 19 |
| 21.09024 | 35 | 42.0901790 | 17 | 42.1510020 | 19 | 42.6008021 | 19 |
| 21.20917 | 33 | 42.0901791 | 9 | 42.1510044 | 7 | 42.6008027.9 | 19 |
| 21.22733 | 33 | 42.0901792 | 9 | 42.1510047 | 7 | 42.6008052 | 19 |
| 329594B2 | 39 | 42.0901793 | 7 | 42.1510059 | 37 | 42.6008058 | 20 |
| 331639B2 | 39 | 42.0901800 | 19, 41 | 42.1510060 | 37 | 42.6008072 | 20 |
| 340248B1 | 35 | 42.1020001 | 7 | 42.1510199 | 37 | 42.6008073 | 20 |
| 42.00000 | 43 | 42.1020018 | 7 | 42.1510214 | 37 | 42.6008075 | 20 |
| 42.0000041 | 39 | 42.1030069 | 27 | 42.1510215 | 37 | 42.6008088 | 19 |
| 42.0000093 | 7 | 42.1060036 | 29 | 42.1520005 | 15 | 42.6008092 | 19 |
| 42.0000094 | 7 | 42.1060039 | 29 | 42.1520051 | 7, 37 | 42.6008093 | 19 |
| 42.0000095 | 7 | 42.1090008 | 31 | 42.1520068 | 15 | 42.6012006 | 49 |
| 42.00001 | 43 | 42.1090014 | 31 | 42.1520086 | 15 | 42.6012011 | 17 |
| 42.00002 | 43 | 42.1090026 | 31 | 42.1520124 | 15 | 42.6012018 | 17 |
| 42.0000317 | 37 | 42.1120038 | 49 | 42.1520316 | 37 | 900143 | 25 |
| 42.0000318 | 37 | 42.1500005 | 49 | 42.1520318 | 19 | 900366 | 49 |
| 42.0000692 | 39 | 42.1500182 | 11 | 42.1520664 | 15 | 900369 | 15, 19, 49 |
| 42.0900010 | 35 | 42.1500267 | 43 | 42.1520749 | 39 | 900372 | 45 |
| 42.0900012 | 35 | 42.1500268 | 43 | 42.1520757 | 15 | 900445 | 19 |
| 42.0900043 | 39 | 42.1500269 | 43 | 42.1520773 | 19, 20 | 900493 | 19 |
| 42.0900056 | 15 | 42.1500270 | 43 | 42.1520774 | 37 | 900495 | 20, 29, 49 |
| 42.0900061 | 17 | 42.1500272 | 43 | 42.1530054 | 35 | 900496 | 15 |
| 42.0900062 | 17 | 42.1500273 | 43 | 42.1530065 | 35 | 900498 | 9 |
| 42.0900156 | 39 | 42.1500276 | 47 | 42.1540025 | 41 | 900499 | 15, 45 |
| 42.0900165 | 13 | 42.1500329 | 13 | 42.1540116 | 41 | 900503 | 41 |
| 42.0900174 | 15 | 42.1500338 | 37 | 42.1540898 | 19, 41 | 900508 | 7 |
| 42.0900181 | 13 | 42.1500344 | 47 | 42.1541237 | 41 | 900509 | 23 |
| 42.0900190 | 13 | 42.1500355 | 37 | 42.1541780 | 19 | 900537 | 19 |
| 42.0900191 | 13 | 42.1500356 | 37 | 42.1550172 | 7 | 900665 | 27 |
| 42.0900192 | 13 | 42.1500377 | 11 | 42.1550228 | 11 | 900700 | 45 |
| 42.0900246 | 7 | 42.1500380 | 37 | 42.1550309 | 11 | 900703 | 19 |
| 42.0900349 | 7 | 42.1500412 | 31 | 42.1550428 | 11 | 900709 | 19 |
| 42.0900371 | 7 | 42.1500472 | 47 | 42.1560000 | 9 | 901105 | 23 |
| 42.0900372 | 7 | 42.1500473 | 43 | 42.1560001 | 9 | 901150 | 11 |
| 42.0900373 | 9 | 42.1500474 | 43 | 42.1560004 | 9 | 901151 | 11 |
| 42.0900377 | 15 | 42.1500475 | 43 | 42.1560005 | 31 | 901181 | 11 |
| 42.0900385 | 29 | 42.1500483 | 15 | 42.1560006 | 31 | 901182 | 11 |
| 42.0900397 | 19, 29 | 42.1500523 | 43 | 42.1570001 | 43 | 901292 | 25, 27 |
| 42.0900434 | 25 | 42.1500525 | 43 | 42.1590024 | 19 | 901619 | 23 |
| 42.0900441 | 23 | 42.1500534 | 43 | 42.1590065 | 27 | 901633 | 23 |
| 42.0900447 | 7 | 42.1500568 | 43 | 42.4070028 | 15 | 901937 | 20, 49 |
| 42.0900462 | 33 | 42.1500875 | 39 | 42.6000127 | 17 | 902193 | 45 |
| 42.0900463 | 33 | 42.1500893 | 43 | 42.6002002 | 15 | 902300 | 19, 25, 49 |
| 42.0900481 | 33 | 42.1501047 | 39 | 42.6002005 | 7 | 902364 | 19 |
| 42.0900484 | 23 | 42.1501048 | 39 | 42.6002007 | 15 | 902367 | 19, 23, 29 |
| 42.0900489 | 33 | 42.1501207 | 43 | 42.6002008 | 7 | 902410 | 11 |
| 42.0900554 | 19, 25 | 42.1501208 | 43 | 42.6003013 | 27 | 902532 | 41 |
| 42.0900562 | 9 | 42.1501279 | 19, 25 | 42.6003014 | 27 | 902884 | 19, 29 |
| 42.0900820 | 35 | 42.1501283 | 43 | 42.6003021 | 7 | 902928 | 49 |
| 42.0900821 | 35 | 42.1501314 | 19 | 42.6003024 | 7 | 903033 | 19 |
| 42.0900822 | 35 | 42.1501318 | 19 | 42.6003025 | 7 | 903096 | 37 |
| 42.0900823 | 35 | 42.1501324 | 20, 51 | 42.6006005 | 9 | 903306 | 7, 20 |
| 42.0900837 | 35 | 42.1501331 | 43 | 42.6006012 | 9 | 903376 | 51 |



Part Number Index (continued)

| <u>Part Number</u> | <u>Page</u> |
|--------------------|------------------|
| 903437 | 25 |
| 903518 | 7 |
| 903832 | 7, 9 |
| 903848 | 19 |
| 903849 | 29 |
| 903854 | 33 |
| 904092 | 20, 33 |
| 904215 | 7 |
| 904217 | 31 |
| 904245 | 11 |
| 904246 | 23 |
| 904253 | 7 |
| 904520 | 19 |
| 904635 | 45 |
| 904674 | 19 |
| 904763 | 23 |
| 904768 | 37 |
| 904863 | 33 |
| 905011 | 33 |
| 905401 | 27 |
| 905456 | 37 |
| 905501 | 15 |
| 906339 | 15 |
| 906349 | 7, 15 |
| 906385 | 37 |
| 906386 | 37 |
| 906400 | 9, 20, 29, 33 |
| 906401 | 7, 20 |
| 906402 | 7, 9, 23, 29, 31 |
| 907219 | 33, 35 |
| 907220 | 33, 35 |
| 907234 | 17 |
| 907270 | 17 |
| 907311 | 33 |
| 907312 | 33 |
| 907348 | 33 |
| 907389 | 17 |
| 907391 | 9 |
| 907465 | 9 |
| 907467 | 9 |
| 907510 | 35 |
| 907521 | 33, 35 |
| 907591 | 11 |
| 907614 | 17 |
| 907673 | 45 |
| 907688 | 15 |
| 907689 | 9 |
| 907725 | 15 |
| 907777 | 15 |
| 907779 | 23 |
| 907896 | 37 |
| 907897 | 37 |
| 908187 | 33 |
| 908188 | 33 |
| 908416 | 51 |
| NSS | 39 |



Part Description Index

The Part Description Index is an alphabetical index of all part descriptions included in this manual. The index shows what page(s) the part is used on.

- A**
- Adapter, Swivel.....20
 - Angle, Slide Frame Clamp (G6060 & PB6000 Only).....20
- B**
- Backstop, 10 Ft - G6070 & G6070P Only.....31
 - Backstop, 8-9 Ft - G6060 & PB6000 Only.....31
 - Bar, Adjustable Chain Tensioner.....15
 - Bearing Cone, 2.750 VN-33275.....37
 - Bearing Cone, TMKN# 5565.....37
 - Bearing Cone, TMKN# HM807044.....37
 - Bearing Cup, 4.125 VN-HM807010.....37
 - Bearing Cup, 4.6250 VN-33462.....37
 - Bearing Cup, TMKN# 5535.....37
 - Bearing, 1 in. - 2 Bolt Flange.....19
 - Bearing, 2 Bolt Flange (G6060 & PB6000 Only).....19
 - Bearing, 4 Bolt Flange.....7
 - Bearing, Drive, 2-15/16 in. 4 Bolt Footed.....7
 - Bearing, Drive, 3-7/16 in. Spherical 4 Bolt Footed - (G6060 S/N 42.05168 & After).....7
 - Bearing, Gandy.....47
 - Bearing, Split Babbit.....7
 - Bird Netting, 30 x 100 Ft - Not Shown.....43
 - Bird Netting, 30 x 375 Ft - Not Shown.....43
 - Bird Netting, 30 x 500 Ft - Not Shown.....43
 - Bolt Bag, Tunnel Extension (Consists Of Items: 8, 16 & 17).....9
 - Bolt Bag, Tunnel Hardware (Consists Of Items: 3 thru 6).....9
 - Bolt, Button Hd, 1/4-20 x 1-1/2 in. Stainless Steel.....17
 - Bolt, Button Hd, 3/8-16 x 1 in. Stainless Steel.....9
 - Bolt, Hex, 1/2-13 x 1-1/2 in. Gr 5.....7
 - Bolt, Hex, 1/2-13 x 1-3/4 in. Gr 5.....7
 - Bolt, Hex, 1/2-13 x 3-1/4 in. Yellow Zinc.....33
 - Bolt, Hex, 1/4-20 x 1/2 in. Gr 5.....33
 - Bolt, Hex, 1/4-20 x 3/4 in. Gr 5.....33
 - Bolt, Hex, 1/4-20 x 3/4 in. Stainless Steel - G6060 & PB6000 Only.....17
 - Bolt, Hex, 1/4-20 x 3/4 in. Stainless Steel - G6070 & G6070P Only.....17
 - Bolt, Hex, 3/4-10 x 2-1/4 in. Gr 5.....45
 - Bolt, Hex, 3/4-10 x 3 in. Gr 5.....15
 - Bolt, Hex, 3/4-10 x 3-1/2 in. Gr 5.....7
 - Bolt, Hex, 3/4-10 x 5-3/4 in.....15
 - Bolt, Hex, 3/8-16 x 1 in. Yellow Zinc.....25
 - Bolt, Hex, 3/8-16 x 1-1/4 in. Gr 5.....23, 29
 - Bolt, Hex, 3/8-16 x 2 in. Gr 5.....23
 - Bolt, Hex, 3/8-16 x 2-1/2 in. Gr 5.....29
 - Bolt, Hex, 3/8-16 x 4 in. Stainless Steel.....9
 - Bolt, Hex, 5/16-18 x 2-1/2 in. Gr 5.....41
 - Bolt, Hex, 5/16-18 x 3/4 in. Gr 5 Special.....15
 - Bolt, Hex, 5/8-11 x 1-1/2 in. Gr 5.....23
 - Bolt, Hex, 5/8-11 x 2 in. Gr 5.....7
 - Bolt, Hex, 5/8-11 x 2-1/2 in. Gr 5.....7, 9
 - Bolt, Hex, 5/8-11 x 3 in. Gr 5.....29
 - Bolt, Hex, 5/8-11 x 3-1/2 in. Gr 5.....45
 - Bolt, Hex, 5/8-11 x 5 in. Gr 5.....31
 - Bolt, SHCS, 1/2-13 x 2-1/4 in. Gr 8.....37
- Bolt, SHCS, 3/8-16 x 2-1/4 in.....37**
- Bottom/Slide, 4 Hole Straight, Jumbo.....47**
- Bracket, Gandy Applicator.....49**
- Bracket, Light, Left Side w/Decals.....33**
- Bracket, Light, Right Side w/Decals.....33**
- Bracket, Skirting - Small (G6060 & PB6000 Only).....19**
- Bulb, #1157.....33**
- Bungee Cord, Bag Pan.....9**
- Bungee Cord, Tunnel.....9**
- Bushing, 1/2 NPT To 1/8 NPT.....37**
- Bushing, Machine, 1/2 in. x 14 Ga.....23**
- C**
- Cable Drum, Brake Side, 6 Ft Rotor.....7
 - Cable Drum, Non Brake Side, 6 Ft Rotor.....7
 - Cable, 1/4 in. x 17 Ft. (G6060 & PB6000 Only).....19
 - Cable, 1/4 x 30 Ft, w/Hook.....29
 - Cable, 7/16 x 195 Ft.....27
 - Cable, Conveyor Lift, 1/4 in. x 17 Ft.....25
 - Cap, Dust.....11
 - Cap, Rotor Tooth, Weld On.....7
 - Capscrew, Hex Hd. 1/2-13 x 1-1/2 in. Gr 5.....20
 - Capscrew, Hex Hd. 1/2-13 x 1-1/4 in. Gr 5.....49
 - Capscrew, Hex Hd. 1/2-13 x 6 in.....19
 - Capscrew, Hex Hd. 1/4-20 x 1 in. Gr 5.....19
 - Capscrew, Hex Hd. 3/8-16 x 1 in. Gr 5.....19, 49
 - Capscrew, Hex Hd. 3/8-16 x 1-1/2 in. Gr 5.....19
 - Capscrew, Hex Hd. 3/8-16 x 1-1/4 in. Gr 5.....19
 - Capscrew, Hex Hd. 3/8-16 x 2-1/2 in. Gr 5.....19
 - Capscrew, Hex Hd. 5/16-18 x 3/4 in. Gr 5.....19
 - Cartridge, Pressure Relief Valve.....41
 - Chain, Conveyor Complete (G6060 & PB6000 Only).....19
 - Chain, Roller, #120-2 59P - G6060 & PB6000 Only.....15
 - Chain, Roller, #120-2, 7.875 Ft, 63 P, UST - G6070 Only.....15
 - Chain, Safety.....45
 - Clamp, Cable (G6060 & PB6000 Only).....19
 - Clamp, Cable, 1/4 in.....25
 - Clamp, Single, .63 in. I.D.....33
 - Clamp, Vinyl, .38 in. dia.....33
 - Clevis.....45
 - Complete Shield Kit.....39
 - Cone, Roller Bearing, 1-1/4 in.....11
 - Cone, Roller Bearing, 1-5/8 in.....11
 - Conveyor Complete (Used On G6060 & PB6000 Only).....20
 - Conveyor End, Adjusting w/Decals (G6060 & PB6000 Only).....19
 - Conveyor, Frame w/Decals (G6060 & PB6000 Only).....19
 - Coupler, Conveyor Motor (G6060 & PB6000 Only).....19
- Coupler, Quick Disconnect, 1/2 in. Male, 1/2 NPTF.....41**
- Coupling, Cable Drum.....7**
- Cradle, Bag Boom, 10` - G6070 & G6070P Only.....9**
- Cradle, Bag Boom, 8` & 9` - G6060 & PB6000 Only.....9**
- Cradle, Bag Boom, 9` - G6070 & G6070P Only.....9**
- Cross Kit, #6, 30.2 x 91.4.....39**
- Cup, Bearing, Inner.....11**
- Cup, Bearing, Outer.....11**
- D**
- Danger Label, Outer Drive Tube.....39
 - Danger/Shield Label.....39
 - Decal, Ag-Bagger 6000 Series.....35
 - Decal, Ag-Bagger, 5 in. Blue.....35
 - Decal, Grease.....35
 - Decal, Grease Rotor Bearing.....35
 - Decal, Important, Lug Nuts.....35
 - Decal, Notice, Tractor Neutral.....35
 - Decal, Oil Chain.....35
 - Decal, Red Retroreflective, 2 x 9 in.....33, 35
 - Decal, Yellow Retroreflective, 2 x 9 in.....33, 35
 - Door Assembly, Conveyor with Hooks.....20
 - Drum, Cable, w/Brake Flange, 7 Ft Rotor - 6070 Only.....7
- E**
- End Cap, CP - 3.500 x .375.....37
- F**
- Fitting, Grease (G6060 & PB6000 Only).....19
 - Fitting, Hose End Swivel (Use With Grease Lines).....20
 - Flexible Roll Pin, #6/7 Inner, 10 x 65mm.....39
 - Flexible Roll Pin, #6/7 Outer, 10 x 75mm.....39
 - Frame Weldment - with 8 Ft Tunnel Only.....7
 - Frame Weldment - with 9 Ft Tunnel Only.....7
 - Frame, Bag Boom, 8-10 Ft.....29
 - Frame, Conveyor Slide.....23
- G**
- Gandy Applicator - 4 Hole.....49
 - Gasket, Bearing Retainer, Gandy.....47
 - Gear.....37
 - Gearbox, Complete.....37
 - Gearbox, Single Output - PB6000 Only.....7
 - Grease Fitting, M6 x 1 Straight (Not Serviced Separately).....39
 - Grease Line - 3/16 in. x 20.5 in. (Used On G6070 Only).....20
 - Grease Line - 3/16 in. x 40 in. (Used On G6060 & PB6000 Only).....20
 - Guard, Conveyor Tail Shaft (G6060 & PB6000 Only).....19
 - Guard, Rotor Chain - G6060 & PB6000 Only.....15
 - Guard, Rotor Chain - G6070 Only.....15
 - Guide, Cable Rewind, Left.....27



Part Description Index (continued)

Guide, Cable Rewind, Right.....27
 Guide, Chain Conveyor - Left (G6060 & PB6000 Only) Not Shown.....20
 Guide, Chain Conveyor - Right (G6060 & PB6000 Only) Not Shown.....20

H

Half Shaft, Cleared (Not Serviced Separately).....39
 Half Shaft, Uncleared (Not Serviced Separately).....39
 Half Shield Kit (Not Serviced Separately).....39
 Harness, Lights (Includes Item 17).....33
 Hhdnut - Lock 1/4 Whiz.....51
 Hitch, Field, 8-9 Ft w/Decals.....7
 Hold Down, Conveyor.....23
 Holder, Plug Storage.....33
 Housing, R700 TAP 1/2-14 Side.....37
 Housing, R700 THRU Improved.....37
 Hub Assembly With Cups & Studs (Includes Items 6 thru 8).....11

I

I.Cone, Shield Cone, #5-6-7 Inner (Not Serviced Separately).....39
 Inoculant, Granular, 50 lb Bucket (Treats 100 Ton).....43
 Inoculant, Liquid 250 Ton Foil Pouch For Inject. Sprayer.....43
 Inoculant, Liquid 50 Ton Foil Pouch.....43
 Instruction Booklet (Not Serviced).....39

J

Jack, Manual, 15 in. Square Mount.....7

K

Key, 5/8 x 5/8 x 1.945.....27
 Key, 5/8 x 5/8 x 2-3/4 in.....15
 Key, Shaft (Hydraulic Motor).....19, 41
 Key, Sq, 3/4 x 3/4 x 4 in. - (G6060 S/N 42.05167 & Before) & PB6000 Only.....15
 Key, Sq, 7/8 x 7/8 x 4 in. - G6070 & (G6060 S/N 42.05168 & After).....15
 Key, Square, 3/8 in. x 3 in. Undersize.....7
 Kit, Ball Collar, 1-3/8 in. #6.....39
 Kit, Bungee Cord (Consists Of Items 11a & 11b).....9
 Kit, RT Ball Collar S5/S9, 1-3/4 in.....39
 Koster Moisture Tester - Not Shown.....43

L

Lens, Amber (Command).....33
 Lens, Amber (Wesbar).....33
 Lens, Red (Command).....33
 Lens, Red (Wesbar).....33
 Light, Dual Lamp, Amber/Red, Left Side.....33
 Light, Dual Lamp, Amber/Red, Right Side.....33
 Link, #120-2 Connector UST.....15
 Link, CA550 Connector.....19
 Link, CA550 Offset.....19
 Link, Offset, #120-2.....15
 Liquid Inoculant Applicator, 15 Gallon Sprayer - Not Shown.....43

Liquid Inoculant Applicator, 27 Gallon Sprayer - Not Shown.....43
 Liquid Inoculant Applicator, 55 Gallon Sprayer - Not Shown.....43
 Lug Nut, 1/2-20.....11

M

Master Seal Zip Tool.....43
 Master Seal, 14.5 ft Lengths 4/Box For 8 & 9 ft Bags.....43
 Master Seal, 17 ft Lengths 4/Box For 10 ft Bags.....43
 Master Seal, 20 ft Lengths 4/Box For 11 & 12 ft Bags.....43
 Master Seal, 250 Ft Roll.....43
 Master Seal, 9.5 ft Lengths 4/Box.....43
 Motor, Electric, w/Brackets & Harness.....47
 Motor, Hydraulic, 101-1019-009, 5.9 cu. in. (PB6000 Only).....19
 Motor, Hydraulic, 101-1751-009, 7.3 cu. in. (G6060 & G6070 Only).....19
 Motor, Hydraulic, Charlyn, 101-1019.....41
 Mount, (Weld On), Jack, Female Square Tubing.....7
 Mount, Gandy Applicator.....49
 Mount, Hydraulic Motor (G6060 & PB6000 Only).....19

N

Nut, Hex Lock, 1/2-13.....20
 Nut, Hex Lock, 1/2-13 Nylock.....7, 49
 Nut, Hex Lock, 1/4-20.....20
 Nut, Hex Lock, 1/4-20 Nylock.....33
 Nut, Hex Lock, 1/4-20 Nylock Stainless Steel - G6060 & PB6000.....17
 Nut, Hex Lock, 1/4-20 Nylock Stainless Steel - G6070 & G6070P.....17
 Nut, Hex Lock, 3/4-10 Nylock.....7, 15
 Nut, Hex Lock, 3/8-16.....20
 Nut, Hex Lock, 3/8-16 Nylock.....9, 29, 33, 49
 Nut, Hex Lock, 3/8-16 Nylock Stainless Steel.....9
 Nut, Hex Lock, 5/8-11 Nylock.....7, 9, 23, 29, 31
 Nut, Hex Nylon Flange Lock, 3/8-16 Yellow Zinc.....23
 Nut, Hex Slotted, 7/8-14.....11
 Nut, Hex Top Lock, 5/8-11.....45
 Nut, Hex Whiz Lock, 3/8-16.....25
 Nut, Hex, 1/2-13.....15, 19
 Nut, Hex, 3/4-10.....45

O

O-Ring, Rubber, Gandy.....47
 Oil Seal.....11

P

Pan, Bag G6060 & PB6000.....9
 Pan, Bag G6070 & G6070P Only.....9
 Panel, Hopper Extension, Front 6 Ft w/Decals - G6060 & PB6000 Only.....17
 Panel, Hopper Extension, Front 7 Ft - G6070 & G6070P Only.....17
 Panel, Hopper Extension, Right Side.....17

Panel, Sloped, Hopper 6 Ft - G6060 & PB6000 Only.....17
 Panel, Sloped, Hopper 7 Ft - G6070 & G6070P Only.....17
 Pin, Cam Lever.....23
 Pin, Clevis, 5/8 in. x 1-1/2 in. Zinc.....25
 Pin, Cotter, 5/32 in. x 1-1/4 in. Stainless Steel.....25
 Pin, Cotter, 5/32 x 1-1/4 in. Stainless Steel.....27
 Pin, Cotter, 5/32 x 2 in.....11
 Pin, Hair.....7
 Pin, Hitch.....7
 Pin, Roll, 3/8 in. x 2 in. (G6060 & PB6000 Only).....19
 Pin, Spring, 5/32 in. x 1-1/4 in.....23
 Pinion Gear.....37
 Plate, Conveyor End Deflector w/Decals.....19
 Plate, Face, 86 in.....17
 Plate, Light Mount Weldment.....33
 Plug, 1/2-14 NPT, Socket Head.....37
 Plug, Light Cord (Included In Item 16).....33
 Plug, Vent, 5 psi.....37
 Polyethylene, High Density (Used On G6060 & PB6000 Only).....20
 PTO Shaft, Complete.....39
 Pulley (G6060 & PB6000 Only).....19
 Pulley, 2-1/2 in. OD x 1/4 in. Cable x 5/8 in. ID.....25
 Pulley, Bag Boom, 3 in. UHMW.....29
 Pulley, Swivel (G6060 & PB6000 Only).....19

R

Repair Tape, 2 in. x 36 Yard Roll - Not Shown.....43
 Repair Tape, 3 in. x 36 Yard Roll - Not Shown.....43
 Repair Tape, 4 in. x 36 Yard Roll - Not Shown.....43
 Retainer, Bearing.....47
 Retaining Ring, External, 1.938.....37
 Rod, Cable Rewind.....27
 Rod, Chain Tensioner.....15
 Rope, Backstop, 3/8 x 300 Ft (8-9 Ft Backstop).....31
 Rope, Backstop, 3/8 x 400 Ft (10 Ft Backstop).....31
 Rotor + Three Teeth & Caps - (Weld Req'd).....7
 Rotor, Gandy, Jumbo 10 in. Rubber.....47
 Rubber Latch, 3 in. (G6060 & PB6000 Only).....19
 Rubber Latch, 5 in. (G6060 & PB6000 Only).....19

S

Safety Sign, Caution 540 RPM.....35
 Safety Sign, Danger, Conveyor Entanglement.....35
 Safety Sign, Danger, Rotating Drive Line.....35
 Safety Sign, Danger, Rotor Entanglement.....35
 Safety Sign, Warning, Cable Entanglement.....35
 Safety Sign, Warning, Before Operating.....35
 Safety Sign, Warning, Foot Crushing.....35



Part Description Index (continued)

Safety Sign, Warning, High Pressure Oil.....35
Safety Sign, Warning, No Step.....35
Safety Sign, Warning, Shield Is Off.....35
Safety Tube (Not Serviced Separately).....39
Screw, Hex Hd, 1/4-20 x 3/4 in. Thread Cutting
Stainless Steel.....33
Screw: Fshcs, 1/4-20 x 3/4 Yellow Zinc.....51
Screws, Bolt-Nut M10 x 50mm CL8.8.....39
Seal Kit, H-Series (For Item 17).....19
Seal Kit, Hydraulic Motor Item 4.....41
Seal, 1.937 - 2.623 x .312.....37
Seal, 2.750 - 3.500 x .375.....37
Setscrew, 3/4-10 x 3/4 in.....15
Setscrew, 5/8-11 x 5/8 in.....15
Setscrew, Hex Socket, 3/8-16 x 1/2 in. (G6060
& PB6000 Only).....19
Shaft, Conveyor Drive (G6060 & PB6000
Only).....19
Shaft, Conveyor Idle (G6060 & PB6000
Only).....19
Shaft, Cross 700110.....37
Sheet: Polyethylene - Hd 1/8 x 29-7/8 x
96.....51
Shield Support, #6-7 Inner 6G602.....39
Shield Support, #6-7 Outer 6G502.....39
Skirt, Conveyor (G6060 & PB6000 Only).....19
Slat, Conveyor Chain (G6060 & PB6000
Only).....19
Sling, Backstop Cable, 7/16 x 35 in.....31
SMV w/ Plastic Backing.....33, 35
Spacer, Bag Boom, Bronz, 2-15/16 in.....29
Spindle, Single, 2-7/16 in. (Weld In) (Includes
Items 2 thru 4).....11
Spray Adhesive - Not Shown.....43
Spring, Compression.....23
Spring, Extension.....15
Sprocket.....47
Sprocket, 120-2A11, 2-7/16 in. Bore, 5/8 in.
Keyway.....15
Sprocket, 120-2B42, 2-15/16 in. Bore, 3/4 in.
Key - (G6060 S/N 42.05167 & Before) &
PB6000 Only.....15
Sprocket, 120-2B42, 3-7/16 in. Bore, 7/8 in.
Key - (G6060 S/N 42.05168 & After).....15
Sprocket, 120-2B48, 3-7/16 in. Bore, 7/8 in.
Key - G6070 Only.....15
Sprocket, Drive (G6060 & PB6000 Only).....19
Sprocket, Idle (G6060 & PB6000 Only).....20
Stabilizer, Conveyor Angle Adjustment.....23
Strip, Conveyor Skirting Center (G6060 &
PB6000 Only).....19
Stripper Plate - 33 in. Weld In G6070 (Gearbox
End), (Non Gearbox End).....7
Stripper Plate - 35 in. Weld In (Gearbox
End).....7
Stripper Plate - 45 in. Weld In G6070 (Non
Gearbox End).....7
Stub Shaft Drive, Weld In.....7
Stub Shaft Idle, 2-15/16 in. Weld In.....7
Stud, Wheel, 1/2-20 x 2-1/8 in.....11
Support, Backstop Transport - Long - G6060,
G6070 & G6070P With Tunnel Extensions
Only.....31
Support, Backstop Transport - Long - G6060,
G6070 & G6070P Without Tunnel Extensions
Only.....31

T

Tensioner, Rotor Chain.....15
Tire, 235/85R16, G6060.....13
Tire, 265/75R16, G6070 & G6070P.....13
Tire, 9.5L x 15 Farm Implement, PB6000.....13
Tool, Bag Vent.....43
Tooth Assembly w/Cap.....7
Tube.....39
Tube, CARDAN #6 Inner.....39
Tunnel Extension Base, 18 in. - G6060, G6070
& G6070P Only.....9
Tunnel Extension Base, 29 in. - G6060, G6070
& G6070P Only.....9
Tunnel Extension Base, 29 in. - LH - G6060,
G6070 & G6070P Only.....9
Tunnel Extension Base, 29 in. - RH - G6060,
G6070 & G6070P Only.....9
Tunnel Extension, 10' x 29 in. - G6070 &
G6070P Only.....9
Tunnel Extension, 8' x 29 in. - G6060 Only...9
Tunnel Extension, 9' x 29 in. - G6060 Only...9
Tunnel Extension, 9' x 29 in. - G6070 &
G6070P Only.....9
Tunnel Hood, 10' - G6070 & G6070P Only...9
Tunnel Hood, 8' w/Decals - G6060 Only.....9
Tunnel Hood, 9' - G6070 & G6070P Only.....9
Tunnel Hood, 9' w/Decals - G6060 Only.....9

V

Valve, Bag Vent.....43
Valve, Conveyor Motor, Aluminum Body
w/Plug.....41

W

Washer, Flat 5/8 in.....9
Washer, Flat, 1/2 in.....20, 49
Washer, Flat, 1/4 in.....19
Washer, Flat, 1/4 in. Stainless Steel - G6060
& PB6000 Only.....17
Washer, Flat, 1/4 in. Stainless Steel - G6070
& G6070P Only.....17
Washer, Flat, 3/4 in.....15, 45
Washer, Flat, 3/8 in.....20, 29, 49
Washer, Flat, 3/8 in. SAE.....23
Washer, Flat, 3/8 in. Wide Stainless Steel.....9
Washer, Flat, 5/8 in. SAE.....23
Washer, Flat, 7/16 in.....15
Washer, Gandy.....47
Washer, Lock, 3/4 in. Yellow Zinc.....45
Washer, Lock, 5/16 in.....41
Washer, Lock, 5/8 in. Yellow Zinc.....7
Washer, Spindle.....11
Washer, Sponge, Gandy.....47
Weldment, Rotor Access, Drive.....7
Weldment, Rotor Access, Idle.....7
Wheel, 15 x 6 PB6000.....13
Wheel, 16 x 6 G6060.....13
Wheel, 16 x 8 G6070 & G6070P.....13
Whip, Grease, 3/16 x 21 in.....15
Whip, Grease, 3/16 x 28 in.....15
Winch, Brake.....25, 29
Winch, Manual (G6060 & PB6000 Only).....19

Y

Yoke.....39
Yoke, #6 Inner Tube.....39
Yoke, #6/S7, 1-3/8 in. Z6 Ball.....39
Yoke, Ball Shear #6, 1-3/4 in. 27QD.....39

Z

Zerk, Grease, 1/4-28, 65°.....27
Zerk, Grease, 1/8 NPT Female.....15
Zerk, Grease, 1/8, 45°.....27

This Page Intentionally Left Blank



© 2011 by Miller-St. Nazianz, Inc.
Ag-Bag, a Miller-St. Nazianz Company