



PARTS MANUAL

MODEL: G6060
AgBag Silage Bagger

This parts manual is furnished for your convenience only. All parts must be purchased through an authorized dealer. Call us for a dealer near you.

42.0901804A



P O Box 127
511 East Main St.
St. Nazianz, WI 54232
(920) 773-2121
FAX: (920) 773-1200
Email: info@millerstn.com
www.ag-bag.com

Issue Date: 09/11

IMPORTANT!

For ongoing updates to this Parts Book

Visit us on the web at:

www.ag-bag.com

and click on PARTSMART web.

Check for new updates before placing any orders.

Order parts through your local dealer.



Table of Contents

Section 1 - Frame, Rotor, Cable Drums, Tunnel Top, Tunnel Extensions & Bag Boom	
1.01 Frame with Rotor & Cable Drums G6060.....	6
1.02 Tunnel Top Interchangeable, Tunnel Extensions & Bag Cradle.....	8
Section 2 - Wheels, Tires, Spindle & Hub Assembly	
2.01 Spindle & Hub Assembly - G6060, G6070 & G6070P.....	10
2.02 Wheels & Tires.....	12
Section 3 - Conveyor, Drive Assembly & Hopper Assembly	
3.01 Drive Assembly - Rotor.....	14
3.02 Hopper Assembly.....	16
3.03 Split Conveyor - G6060, G6070 & G6070P (S/N 42.04939 & Before).....	18
3.04 Split Conveyor (S/N 42.04940 & After).....	22
3.05 Lower Assembly, Split Conveyor - G6060, G6070 & G6070P (S/N 42.04940 & After).....	26
3.06 Single Conveyor.....	28
3.07 Conveyor Support/Slide Assembly, Split & Single Conveyor.....	32
3.08 Conveyor Lift Assembly - Manual.....	34
3.09 Hydraulic Conveyor Lift Kit - G6060, G6070 & G6070P.....	36
Section 4 - Brake Assembly, Cable Guide Assembly, & Bag Boom	
4.01 Brake Assembly - G6060.....	38
4.02 Cable/Guide Assembly.....	40
4.03 Bag Boom.....	42
Section 5 - Backstop & Jackstand	
5.01 Backstop, Steel.....	44
5.02 Jack Stand - G6060, G6070 & G6070P.....	46
Section 6 - Transport Lights, Safety Signs & Decals	
6.01 Transport Lights & Light Stand - G6060, G6070 & G6070P.....	48
6.02 Safety Signs & Decals - G6060, G6070 & G6070P.....	50
Section 7 - Gearbox	
7.01 Gearbox, Dual Output Aluminum.....	52
Section 8 - PTO Driveline	
8.01 PTO Transport Kit - G6060 & G6070.....	54
8.02 PTO Shaft - PB6000 & (G6060 up to 2009 Production).....	56
8.03 PTO Shaft - G6070 & (G6060 2009 Production & After).....	58
Section 9 - Hydraulics & Breather Assembly	
9.01 Hydraulic Drive Assembly - G6060 & G6070.....	60
9.02 Hydraulic Drive, PTO Shield Assembly - G6060.....	64



Table of Contents (Continued)

Section 10 - Miscellaneous Items, Options & Kits

10.01 Miscellaneous Items.....	66
10.02 Safety Chain Kit.....	68
10.03 Gandy, 45 lb. Dry Inoculant Applicator.....	70
10.04 Hydraulic Lift Kit - G6060, G6070 & G6070P.....	72
10.05 Gandy Option - G6060, G6070 & G6070P.....	74
10.06 Option: Conveyor Liner.....	76

Part Number Index.....	78
-------------------------------	-----------

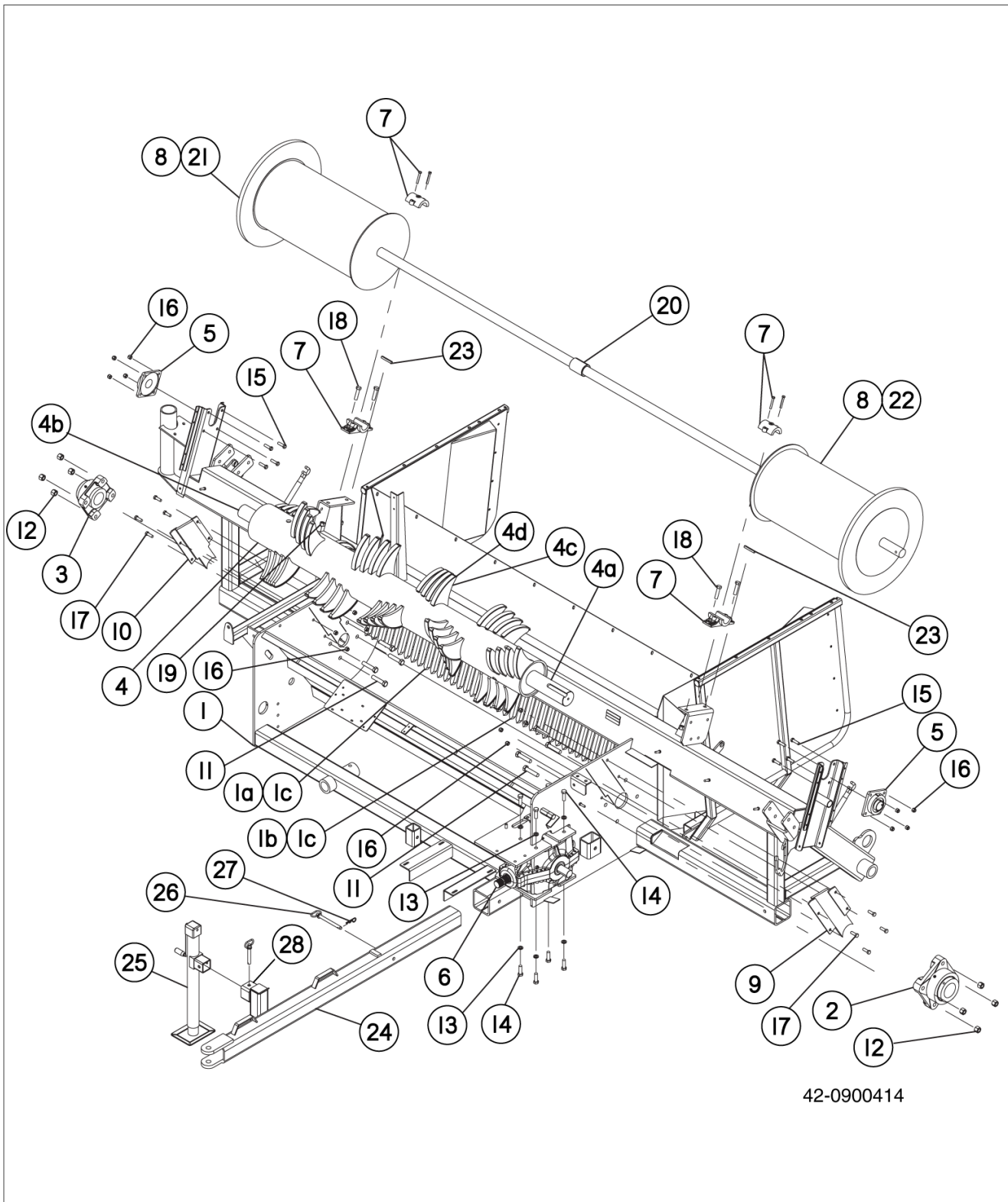
Part Description Index.....	80
------------------------------------	-----------



Table of Contents (continued)

This Page Intentionally Left Blank

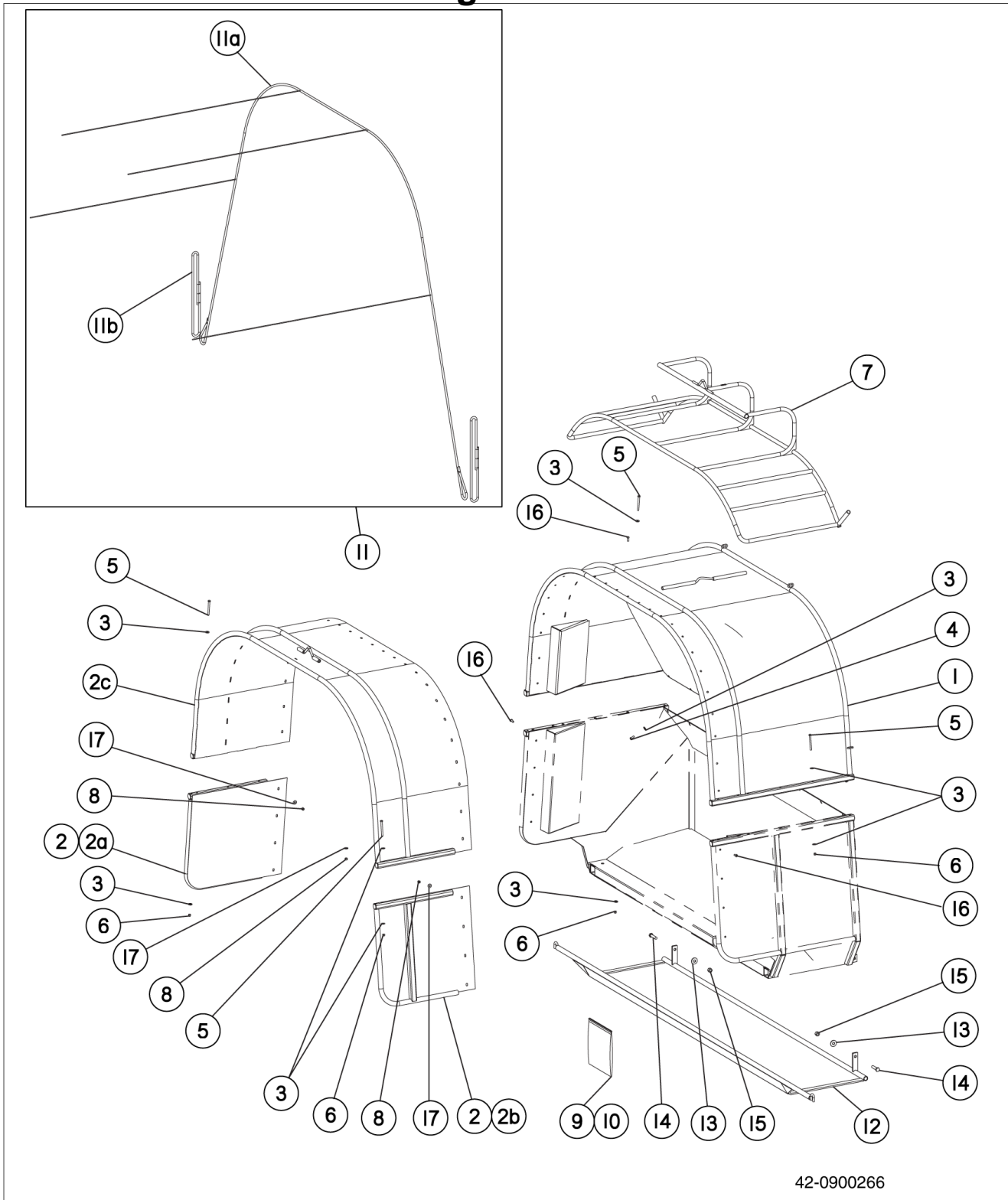
1.01 Frame with Rotor & Cable Drums G6060



1.01 Frame with Rotor & Cable Drums G6060

Item	Part No.	Quantity	Description
1	42.0900586	1	Frame Weldment - (S/N 42.05167 & Before)
	42.0901595	1	Frame Weldment - (S/N 42.05168 & After)
1a	42.0000093	AR	Stripper Plate - 45 in. Weld In G6070 (Non Gearbox End)
1b	42.0000094	AR	Stripper Plate - 35 in. Weld In G6060 (Gearbox End)
1c	42.0000095	AR	Stripper Plate - 33 in. Weld In G6060 (Non Gearbox End)
2	42.0900372	1	Bearing, Drive, 3-7/16 in. Spherical 4 Bolt Footed - (S/N 42.05168 & After)
3	42.0900371	1	Bearing, Drive, 2-15/16 in. 4 Bolt Footed
4	42.0901137	1	Rotor + Four Teeth & Caps - 2-15/16 in. Shaft (Weld Req'd) (S/N 42.05167 & Before)
	42.0901825	1	Rotor + Four Teeth 3-7/16 in. Shaft - (Weld Req'd) (S/N 42.05168 & After)
4a	42.0900380	1	Stub Shaft Drive, Weld In - (S/N 42.05168 & After)
	42.6002005	1	Stub Shaft Drive, Weld In - (S/N 42.05167 & Before)
4b	42.6002008	1	Stub Shaft Idle, 2-15/16 in. Weld In
4c	42.1020018	48	Tooth Assembly w/Cap
4d	42.1020001	48	Cap, Rotor Tooth, Weld On
5	42.1510044	2	Bearing, 4 Bolt Flange
6	42.0901808	1	Gearbox, Dual Output - Aluminum
7	42.1510047	2	Bearing, Split Babbit
8	42.0900246	2	Drum, Cable, w/Brake Flange, 7 Ft Rotor - 6070 Only
9	42.0900445	1	Weldment, Rotor Access, Drive - (S/N 42.05168 & After)
	42.0900349	1	Weldment, Rotor Access, Drive - (S/N 42.05167 & Before)
10	42.0900447	1	Weldment, Rotor Access, Idle
11	904215	8	Bolt, Hex, 3/4-10 x 3-1/2 in. Gr 5
12	906349	8	Nut, Hex Lock, 3/4-10 Nylock
13	900508	8	Washer, Lock, 5/8 in. Yellow Zinc
14	904253	8	Bolt, Hex, 5/8-11 x 2 in. Gr 5
15	903518	8	Bolt, Hex, 1/2-13 x 1-3/4 in. Gr 5
16	906401	16	Nut, Hex Lock, 1/2-13 Nylock
17	903306	8	Bolt, Hex, 1/2-13 x 1-1/2 in. Gr 5
18	903832	4	Bolt, Hex, 5/8-11 x 2-1/2 in. Gr 5
19	906402	4	Nut, Hex Lock, 5/8-11 Nylock
20	42.6003021	1	Coupling, Cable Drum
21	42.6003024	1	Cable Drum, Non Brake Side, 6 Ft Rotor
22	42.6003025	1	Cable Drum, Brake Side, 6 Ft Rotor
23	01.73266	2	Key, Square, 3/8 in. x 3 in. Undersize
24	42.0901793	1	Hitch, Field, 8-9 Ft w/Decals
25	42.1501398	1	Jack, Manual, 15 in. Square Mount
26	42.1550172	1	Pin, Hitch
27	05.73120	1	Pin, Hair
28	42.1501400	AR	Mount, (Weld On), Jack, Female Square Tubing

1.02 Tunnel Top Interchangeable, Tunnel Extensions & Bag Cradle

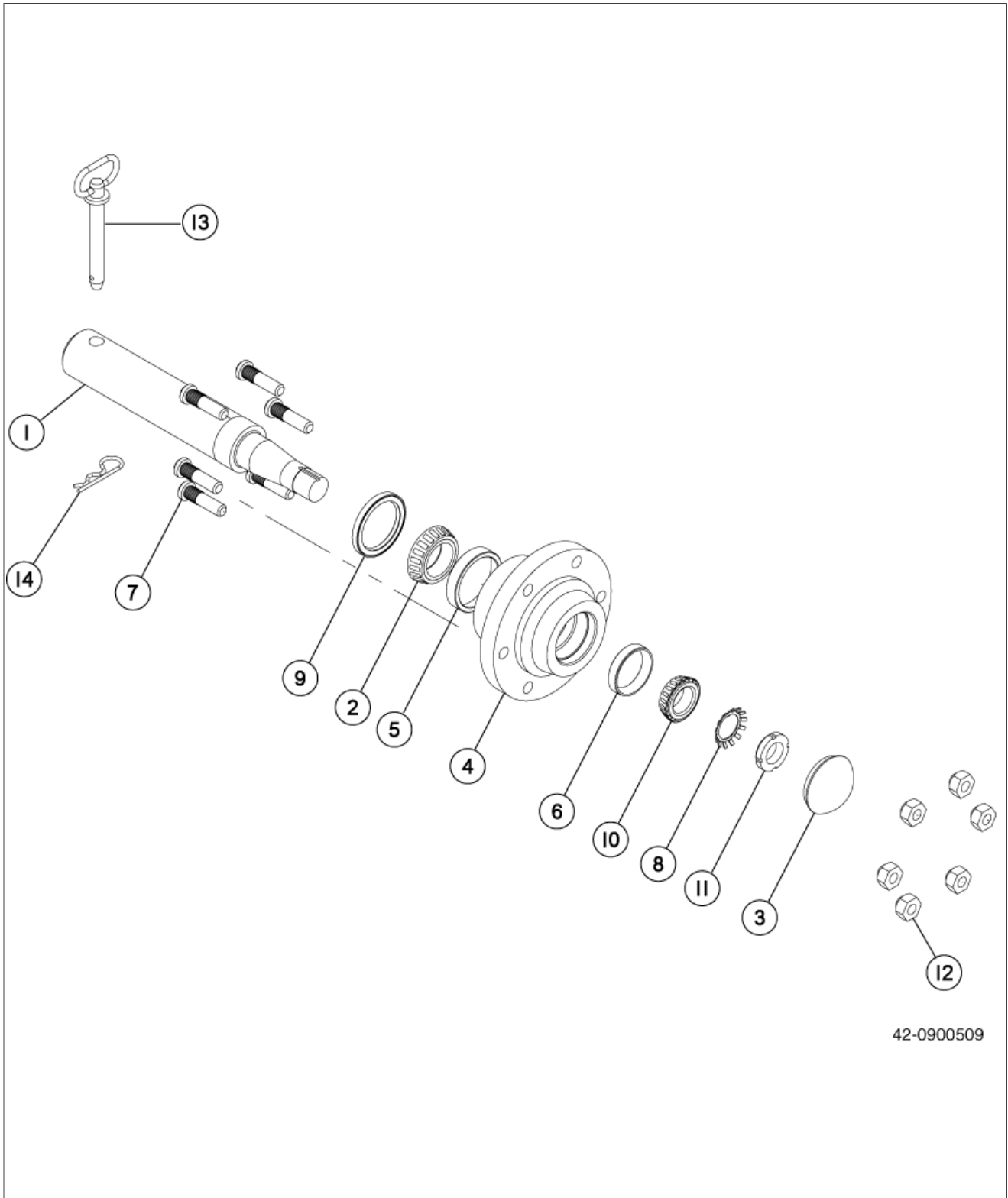


1.02 Tunnel Top Interchangeable, Tunnel Extensions & Bag Cradle

Item	Part No.	Quantity	Description
1	42.0901791	1	Tunnel Hood, 8` w/Decals - G6060 Only
	42.0901792	1	Tunnel Hood, 9` w/Decals- G6060 Only
	42.6006074	1	Tunnel Hood, 9` - G6070 & G6070P Only
	42.6006075	1	Tunnel Hood, 10` - G6070 & G6070P Only
2	42.6006087	Set	Tunnel Extension Base, 29 in. - G6060, G6070 & G6070P Only
	42.6006086	Set	Tunnel Extension Base, 18 in. - G6060, G6070 & G6070P Only
2a	42.6006113	1	Tunnel Extension Base, 29 in. - LH - G6060, G6070 & G6070P Only
2b	42.6006114	1	Tunnel Extension Base, 29 in. - RH - G6060, G6070 & G6070P Only
2c	42.6006077	1	Tunnel Extension, 8` x 29 in. - G6060 Only
	42.6006079	1	Tunnel Extension, 9` x 29 in. - G6060 Only
	42.6006081	1	Tunnel Extension, 10` x 29 in. - G6070 & G6070P Only
	42.6006085	1	Tunnel Extension, 9` x 29 in. - G6070 & G6070P Only
3	907465	41	Washer, Flat, 3/8 in. Wide Stainless Steel
4	907467	9	Bolt, Button Hd. 3/8-16 x 1 in. Stainless Steel
5	907689	16	Bolt, Hex, 3/8-16 x 4 in. Stainless Steel
6	907391	16	Nut, Hex Lock, 3/8-16 Nylock Stainless Steel
7	42.6006012	1	Cradle, Bag Boom, 8` & 9` - G6060 & PB6000 Only
	42.6006089	1	Cradle, Bag Boom, 10` - G6070 & G6070P Only
	42.6006088	1	Cradle, Bag Boom, 9` - G6070 & G6070P Only
8	906400	35	Nut, Hex Lock, 3/8-16 Nylock
9	42.0900373	1	Bolt Bag, Tunnel Extension (Consists Of Items: 8, 16 & 17)
10	42.0900562	1	Bolt Bag, Tunnel Hardware (Consists Of Items: 3 thru 6)
11	42.1560004	1	Kit, Bungee Cord (Consists Of Items 11a & 11b)
11a	42.1560000	1	Bungee Cord, Tunnel
11b	42.1560001	2	Bungee Cord, Bag Pan
12	42.6006037	1	Pan, Bag G6070 & G6070P Only
	42.6006005	1	Pan, Bag G6060 & PB6000
13	900498	2	Washer, Flat 5/8 in.
14	903832	2	Bolt, Hex, 5/8-11 x 2-1/2 in. Gr 5
15	906402	2	Nut, Hex Lock, 5/8-11 Nylock
16	907467	35	Bolt, Button Hd. 3/8-16 x 1 in. Stainless Steel
17	907465	35	Washer, Flat, 3/8 in. Wide Stainless Steel

Section 2

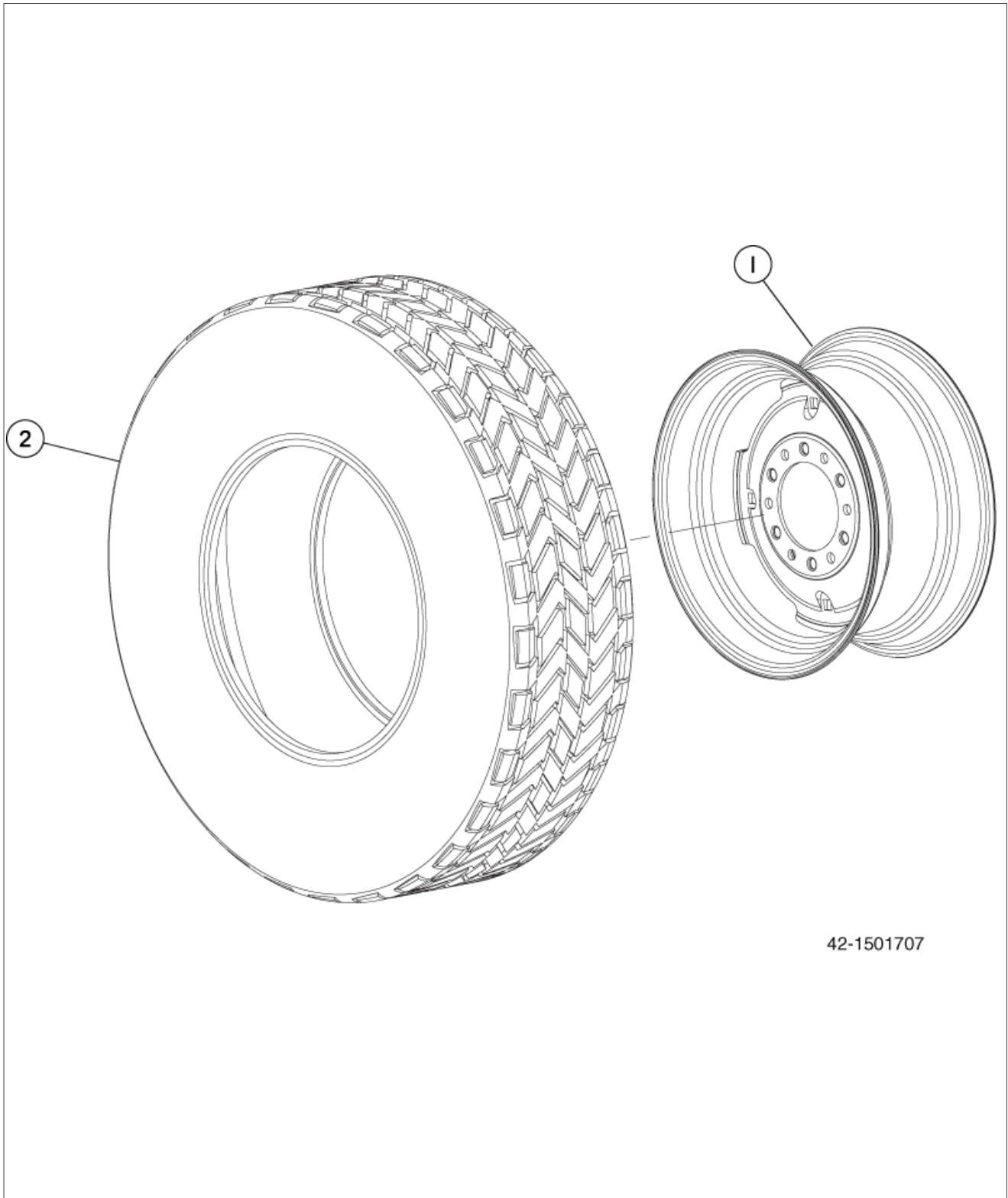
2.01 Spindle & Hub Assembly - G6060, G6070 & G6070P



2.01 Spindle & Hub Assembly - G6060, G6070 & G6070P

Item	Part No.	Quantity	Description
1	42.1010034	1	Spindle, Single, 2-1/4 x 14-7/8 in. Std.
2	901150	1	Cone, Roller Bearing, 1-5/8 in.
3	902410	1	Cap, Dust
4	42.0900375.8	1	Hub Assembly With Cups & Studs
5	901151	1	Cup, Bearing, Inner
6	901182	1	Cup, Bearing, Outer
7	907757	6	Stud, Wheel, 9/16-18 x 2-1/8 in.
8	42.1550228	1	Washer, Lock, External Tooth
9	42.1500377	1	Oil Seal, 2.25 I.D.
10	901181	1	Cone, Roller Bearing, 1-1/4 in.
11	42.1550136	1	Nut, Slotted Lock, NO6 Zinc Plated
12	905050	6	Lug Nut, 9/16-18
13	42.1150171	1	Pin, Hitch, .625 Dia x 4 in.
14	05.73120	1	Pin, Hair, 5/32 x 2-15/16 in. Zinc Plated

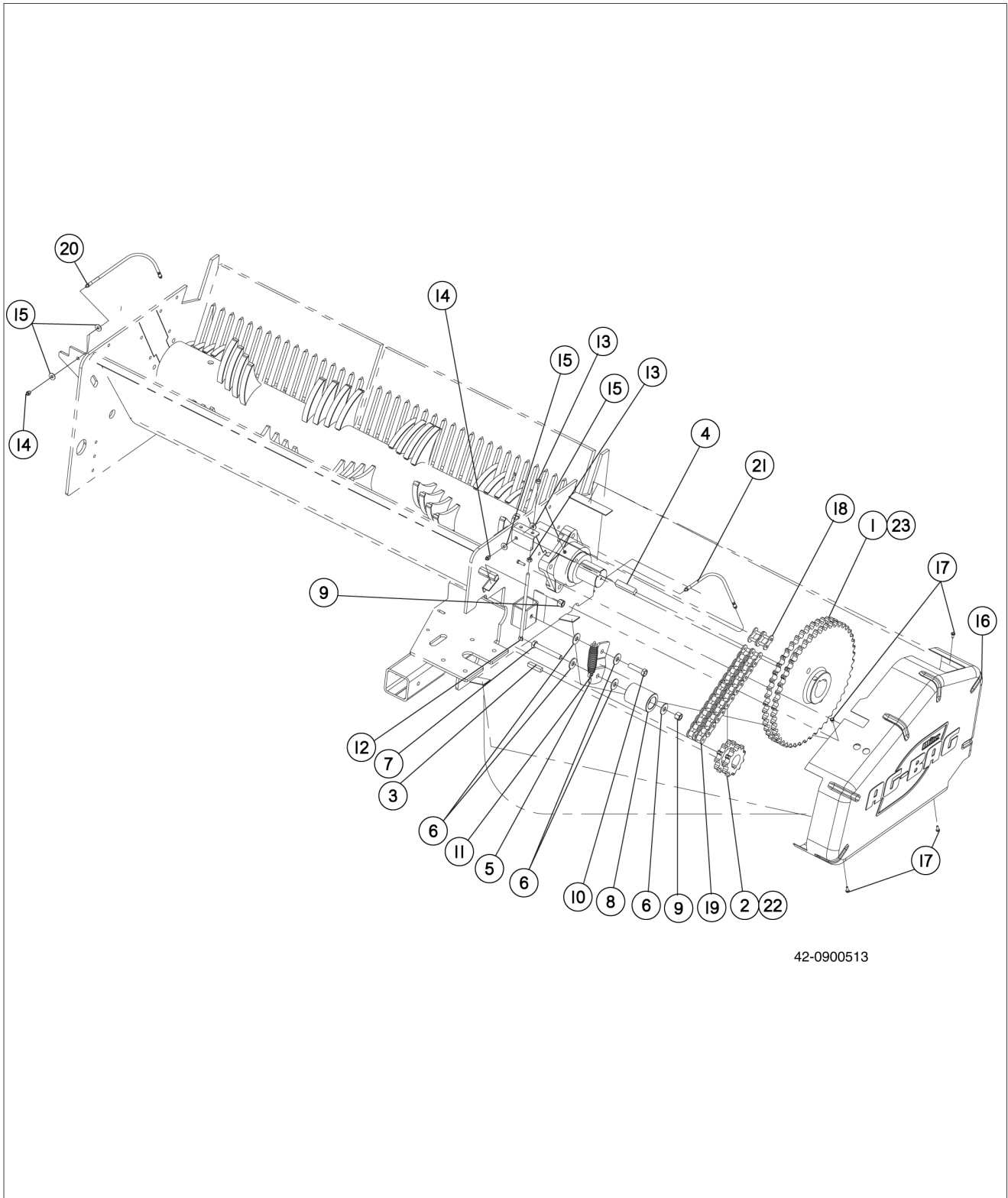
2.02 Wheels & Tires



2.02 Wheels & Tires

Item	Part No.	Quantity	Description
1	42.0900181	2	Wheel, 15 x 6 PB6000
	42.1500329	2	Wheel, 16 x 6 G6060
	42.0900165	2	Wheel, 16 x 8 G6070 & G6070P
2	42.0900190	2	Tire, 9.5L x 15 Farm Implement, PB6000
	42.0900191	2	Tire, 235/85R16, G6060
	42.0900192	2	Tire, 265/75R16, G6070 & G6070P

3.01 Drive Assembly - Rotor

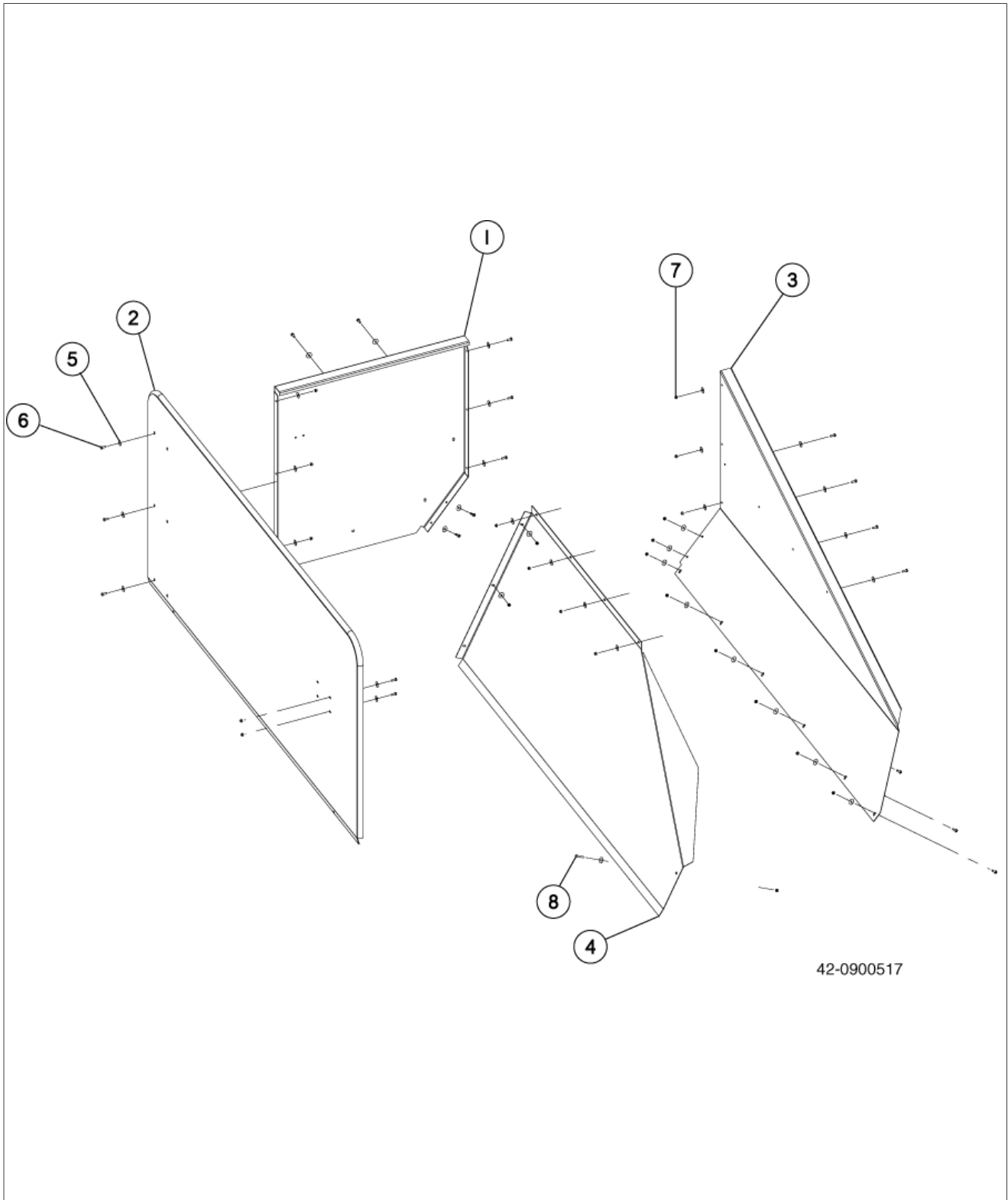


42-0900513

3.01 Drive Assembly - Rotor

Item	Part No.	Quantity	Description
1	42.0900377	1	Sprocket, 120-2B48, 3-7/16 in. Bore, 7/8 in. Key - G6070 Only
	42.0901587	1	Sprocket, 120-2B42, 3-7/16 in. Bore, 7/8 in. Key - (G6060 S/N 42.05168 & After)
	42.1520124	1	Sprocket, 120-2B42, 2-15/16 in. Bore, 3/4 in. Key - (G6060 S/N 42.05167 & Before) & PB6000 Only
2	42.1520664	1	Sprocket, 120-2A11, 2-7/16 in. Bore, 5/8 in. Keyway
3	42.6002002	1	Key, 5/8 x 5/8 x 2-3/4 in.
4	907688	1	Key, Sq, 7/8 x 7/8 x 4 in. - G6070 & (G6060 S/N 42.05168 & After)
	42.4070028	1	Key, Sq, 3/4 x 3/4 x 4 in. - (G6060 S/N 42.05167 & Before) & PB6000 Only
5	42.0900056	1	Bar, Adjustable Chain Tensioner
6	900499	5	Washer, Flat, 3/4 in.
7	906339	1	Bolt, Hex, 3/4-10 x 5-3/4 in.
8	42.6002007	1	Tensioner, Rotor Chain
9	906349	2	Nut, Hex Lock, 3/4-10 Nylock
10	09.71756	1	Bolt, Hex, 3/4-10 x 3 in. Gr 5
11	42.1500483	1	Spring, Extension
12	42.0900174	1	Rod, Chain Tensioner
13	900369	2	Nut, Hex, 1/2-13
14	905501	2	Zerk, Grease, 1/8 NPT Female
15	900496	8	Washer, Flat, 7/16 in.
16	42.0901519	1	Guard, Rotor Chain - G6070 Only
	42.0901518	1	Guard, Rotor Chain - G6060 & PB6000 Only
17	09.71112	4	Bolt, Hex, 5/16-18 x 3/4 in. Gr 5 Special
18	42.1520068	1	Link, #120-2 Connector UST
	42.1520086	AR	Link, Offset, #120-2
19	42.1520757	1	Chain, Roller, #120-2, 7.875 Ft, 63 P, UST - G6070 Only
	42.1520005	1	Chain, Roller, #120-2 59P - G6060 & PB6000 Only
20	42.1501518	1	Whip, Grease, 3/16 x 28 in.
21	42.1502166	1	Whip, Grease, 3/16 x 21 in.
22	907725	2	Setscrew, 3/4-10 x 3/4 in.
23	907777	2	Setscrew, 5/8-11 x 5/8 in.

3.02 Hopper Assembly

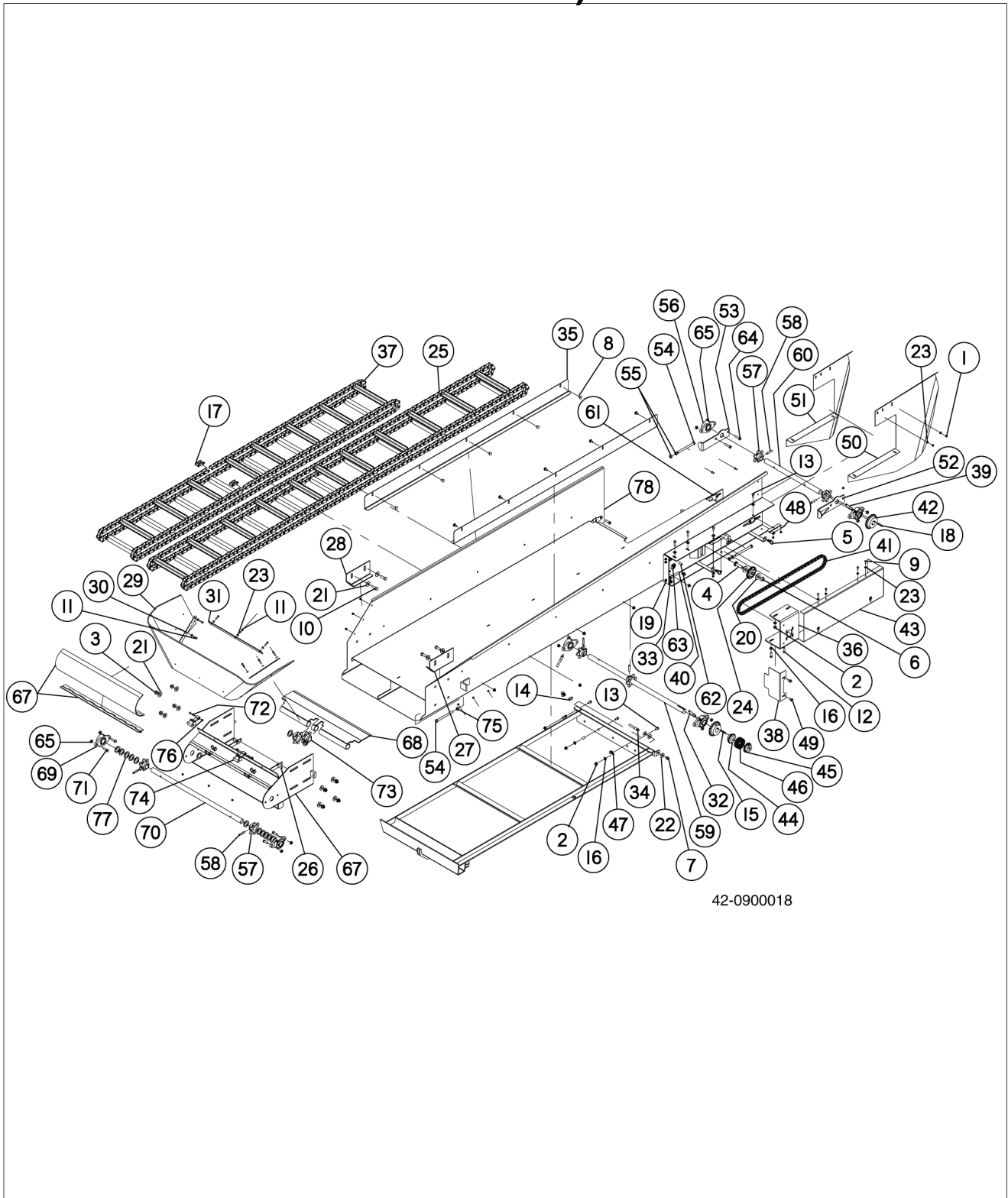


3.02 Hopper Assembly

Item	Part No.	Quantity	Description
1	42.6012018	1	Panel, Hopper Extension, Right Side
2	42.6012011	1	Plate, Face, 86 in.
3	42.6000127	1	Panel, Hopper Extension, Front 7 Ft - G6070 & G6070P Only
	42.0901790	1	Panel, Hopper Extension, Front 6 Ft w/Decals - G6060 & PB6000 Only
4	42.0900062	1	Panel, Sloped, Hopper 7 Ft - G6070 & G6070P Only
	42.0900061	1	Panel, Sloped, Hopper 6 Ft - G6060 & PB6000 Only
5	907234	37	Washer, Flat, 1/4 in. Stainless Steel - G6070 & G6070P Only
	907234	34	Washer, Flat, 1/4 in. Stainless Steel - G6060 & PB6000 Only
6	907270	22	Bolt, Hex, 1/4-20 x 3/4 in. Stainless Steel - G6070 & G6070P Only
	907270	20	Bolt, Hex, 1/4-20 x 3/4 in. Stainless Steel - G6060 & PB6000 Only
7	907389	23	Nut, Hex Lock, 1/4-20 Nylock Stainless Steel - G6070 & G6070P
	907389	21	Nut, Hex Lock, 1/4-20 Nylock Stainless Steel - G6060 & PB6000
8	907614	1	Bolt, Button Hd, 1/4-20 x 1-1/2 in. Stainless Steel

Section 3

3.03 Split Conveyor - G6060, G6070 & G6070P (S/N 42.04939 & Before)



3.03 Split Conveyor - G6060, G6070 & G6070P (S/N 42.04939 & Before)

Item	Part No.	Quantity	Description
1	907784	16	Nut, Hex Flange Lock, 1/4-20 Nylock Yellow Zinc
2	907779	21	Nut, Hex Flange Lock, 3/8-16 Nylock Yellow Zinc
3	907399	8	Nut, Hex Flange Lock, 1/2-13 Nylock
4	906548	1	Bolt, Carriage, Short Neck, 5/8-11 x 2-1/2 in. Gr 5
5	906492	2	Latch
6	906402	1	Nut, Hex Lock, 5/8-11 Nylock
7	905501	1	Grease Zerk, 1/8 in. NPT Female
8	905354	10	Bolt, Carriage, 3/8-16 x 3/4 in. Gr 5 Yellow Zinc
9	903824	7	Bolt, Hex, 1/4-20 x 5/8 in. Gr 5
10	903306	4	Bolt, Hex, 1/2-13 x 1-1/2 in. Gr 5
11	903033	9	Bolt, Hex, 1/4-20 x 1 in. Gr 5 Yellow Zinc
12	902367	4	Bolt, Hex, 3/8-16 x 1-1/4 in. Gr 5
13	902364	6	Bolt, Hex, 3/8-16 x 3/4 in. Gr 5
14	902300	1	Bolt, Hex, 3/8-16 x 1 in. Gr 5 Yellow Zinc
15	901172	1	Key, Square, 1/4 in. x 2 in.
16	901105	12	Washer, Flat, 3/8 in. SAE
17	900709	2	Link, #CA550 Offset
18	900549	1	Key, Square, 1/4 in. x 1-3/4 in.
19	900537	3	Fitting, grease, 1/8 PTF
20	900498	2	Washer, Flat, 5/8 in.
21	900497	12	Washer, Flat, 1/2 in.
22	900496	3	Washer, Flat, 7/16 in.
23	900493	15	Washer, Flat, 1/4 in. SAE Yellow Zinc
24	900188	1	Sprocket, Idler, 50B17, .643 in. Bore
25	42.6008077	1	Chain, Long w/Weld On Flight
26	42.6008104	2	Bracket, Conveyor Nose Cone
27	42.6008073	1	Guide, Conveyor Chain, Top RH
28	42.6008072	1	Guide, Conveyor Chain, Top LH
29	42.6008052	1	Skirt, Conveyor, 20 in. x 60 in.
30	42.6008021	2	Strip, Conveyor Skirting, Side
31	42.6008020	1	Strip, Conveyor Skirting, Center
32	42.1502166	2	Whip, Grease, 3/16 in. x 21 in.
33	42.1501611	3	Adaptor, #2 MP x #2 FPS
34	42.1501519	2	Hose, Grease, 3/16 in. x 40 in.
35	42.0900567	2	Hold Down, Conveyor Chain
36	42.0900020	1	Mount, Hydraulic Motor
37	42.0900019	1	Apron, Short, 16 Slat
38	42.0900009	1	Shield, Motor
39	42.0900007	2	Hose, Grease, 3/16 in. x 32 in.
40	42.0900006	2	Hose, Grease, 3/16 in. x 47 in.
41	42.0900005	1	Chain, Roller, #50, 114 Pitches

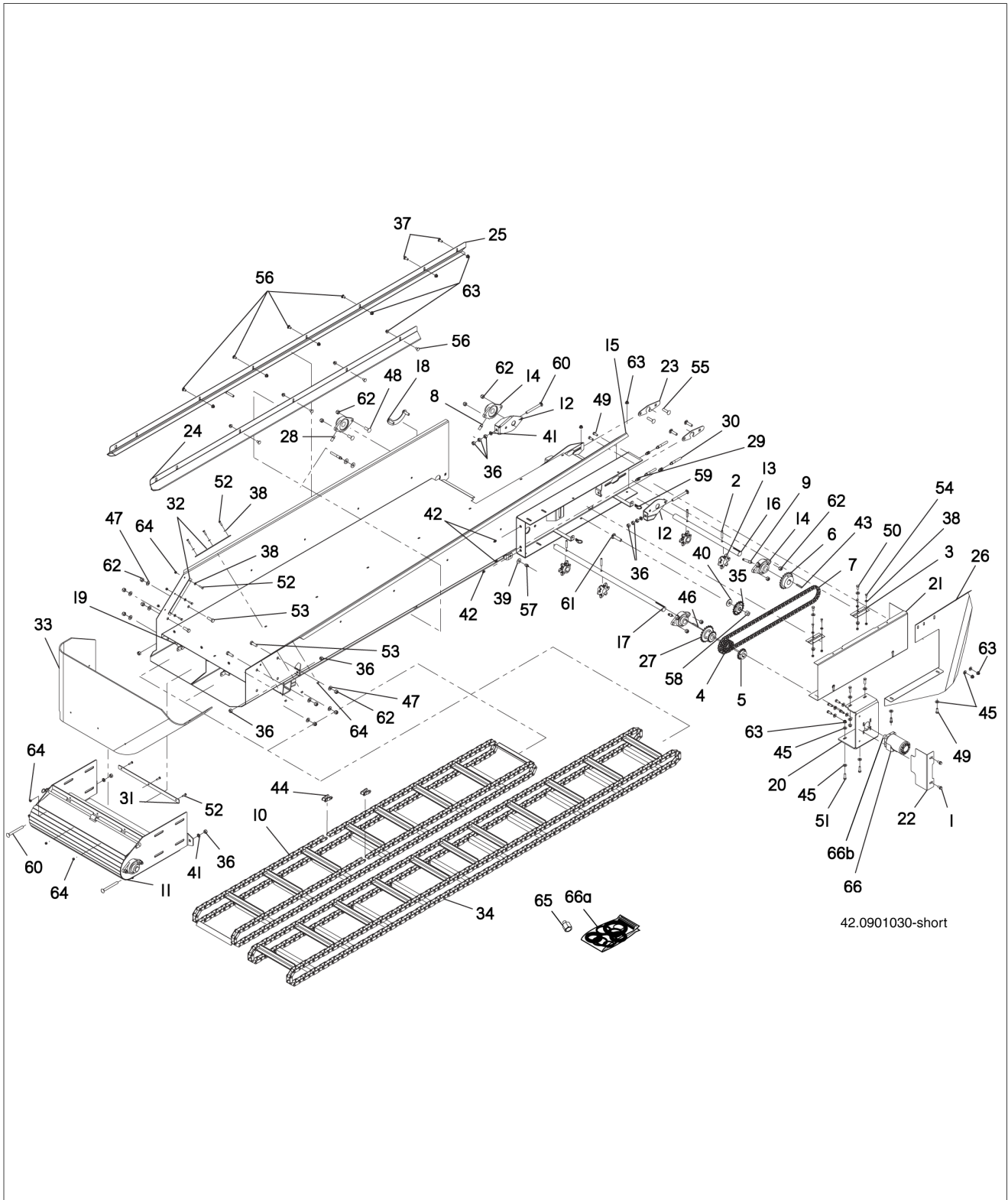
Section 3

3.03 Split Conveyor - G6060, G6070 & G6070P (S/N 42.04939 & Before)

Item	Part No.	Quantity	Description
42	42.0900004	2	Sprocket, 50B20, 1.25 in. Bore
43	42.0000101	1	Shield
44	341077B1	1	Sprocket, 40B16, 1.25 in. Bore
45	303629B1	1	Sprocket, 40B16, 1 in. Bore
46	22.00188	1	Chain, #40-2, 16 Pitches w/ Connector
47	17.00650	4	Clamp, Single, .63 in. ID
48	16.20144.5	2	Hinge, Beater Shield
49	09.71251	2	Bolt, Hex Washer Hd, 3/8-16 x 3/4 in. Gr 5
50	42.0901687	1	Deflector, 2 Stage Conveyor G6070 & G6070P
51	42.0901796	1	Deflector, 2 Stage Conveyor w/Decals G6060
52	42.0900035	1	Adjuster, Bearing LH
53	42.0900034.5	1	Adjuster, Bearing RH
54	907400	4	Bolt, Hex, 1/2-13 x 6 in. Gr 5 Full Thread
55	901763	4	Nut, Jam 1/2-13
56	42.6008088	4	Bearing, 2 Bolt Flange 1-1/4 in.
57	42.1520773	6	Sprocket, N58, 6 Tooth, 1-1/4 in. Bore
58	09.72010	6	Pin, Roll, 3/8 in. x 2 in.
59	42.0900036	1	Shaft, 1-1/4 in. x 36-1/2 in. Drive
60	42.0900037	1	Shaft, 1-1/4 in. x 21 in. Drive
61	42.0900038	2	Plate, Bearing Mount
62	601312	4	Bolt, Hex, 7/16 in. x 1-1/2 in. Gr 5
63	42.0900583	2	Plate, Bearing Mount Welded
64	906243	4	Bolt, Hex, 7/16 in. x 1-3/4 in. Gr 5
65	900972	4	Nut, Hex Center Lock, 7/16-14
67	42.0901262	1	Conveyor Adjuster End Weldment
68	42.6008089	1	Guard, Conveyor Idle Shaft
69	42.6008088	2	Bearing, 2 Bolt Flange, 1-1/4 in.
70	42.0900045	1	Shaft, 1-1/4 in. x 34-1/2 in.
71	904871	4	Bolt, Hex, 7/16-14 x 1-1/4 in. Gr 5
72	907060	2	Bolt, Hex, 1/4-20 x 1-3/4 in. Gr 5
73	42.0901271	4	Sprocket, N58, 6 Tooth, Idle 1-1/4 in. Bore
74	904520	2	Hook, Cover (Rubber)
75	900369	2	Nut, Hex, 1/2-13
76	907389	2	Nut, Hex Lock, 1/4-20 Nylock Stainless Steel
77	09.70985	14	Washer, Flat, 1-1/4 in. x 1-7/8 in.
78	42.0901263	1	Weldment, Conveyor, Split w/ H Frame (Includes Items 52 thru 64)

This Page Intentionally Left Blank

3.04 Split Conveyor (S/N 42.04940 & After)



3.04 Split Conveyor (S/N 42.04940 & After)

Item	Part No.	Quantity	Description
1	09.71251	2	Bolt, Hex Washer Hd, 3/8-16 x 3/4 in. Gr 5
2	09.72010	4	Pin, Roll, 3/8 in. x 2 in.
3	16.20144.5	2	Hinge, Beater Shield
4	22.00188	1	Chain, #40-2, 16 Pitches w/ Connector
5	303629B1	1	Sprocket, 40B16, 1 in. Bore
6	42.0900004	2	Sprocket, 50B20, 1.25 in. Bore
7	42.0900005	1	Chain, Roller, #50, 114 Pitches
8	42.0900006	1	Hose, Grease, 3/16 in. x 47 in.
9	42.0900007	1	Hose, Grease, 3/16 in. x 32 in.
10	42.0900019	1	Apron, Short, 16 Slat
11	NSS	1	Conveyor Lower Assembly - Not Serviced Separately Refer to Lower Assembly Split Conveyor Page for Parts Breakdown
12	42.0901011	2	Adjuster, Chain
13	42.0901014	4	Sprocket, CA550, 6 Tooth
14	42.0901019	4	Bearing, R-Liube, 1-1/4 in. 2 Bolt
15	42.0901020	1	Weldment, Conveyor
16	42.0901022	1	Shaft, RH Drive
17	42.0901023	1	Shaft, 1.25 in., LH
18	42.0901035	1	Bracket, Bearing Bolts
19	42.0901037	2	Bracket, w/Bolts, Adjuster
20	42.0901393	1	Mount, Bracket, Drive Motor
21	42.0901394	1	Cover, Drive Chain
22	42.0901397	1	Shield, Motor
23	42.0901402	2	Plate, Bearing Mount
24	42.0901438	1	Hold Down, Conveyor Chain, Short
25	42.0901439	1	Hold Down, Conveyor Chain, Long
26	42.0901796	1	Deflector, 2 Stage Conveyor w/Decal
27	42.0901688	1	Sprocket, DBL
28	42.1501519	1	Hose, Grease, 3/16 in. x 40 in.
29	42.1501611	3	Adaptor, #2 MP x #2 FPS
30	42.1502166	1	Whip, Grease, 3/16 in. x 21 in.
31	42.6008020	1	Strip, Conveyor skirting, Center
32	42.6008021	2	Strip, Conveyor Skirting, Side
33	42.6008052	1	Skirt, Conveyor, 20 in. x 60 in.
34	42.6008077	1	Chain, Conveyor, Long w/Weld On Flight
35	900188	1	Sprocket, Idler, 50B17, .643 in. Bore
36	900369	12	Nut, Hex, 1/2-13
37	900480	2	Bolt, Carriage, 3/8-16 x 1 in.
38	900493	13	Washer, Flat, 1/4 in. SAE Yellow Zinc
39	900496	3	Washer, Flat, 7/16 in.
40	900498	1	Washer, Flat, 5/8 in.
41	900506	4	Washer, Lock, 1/2 in.

Section 3

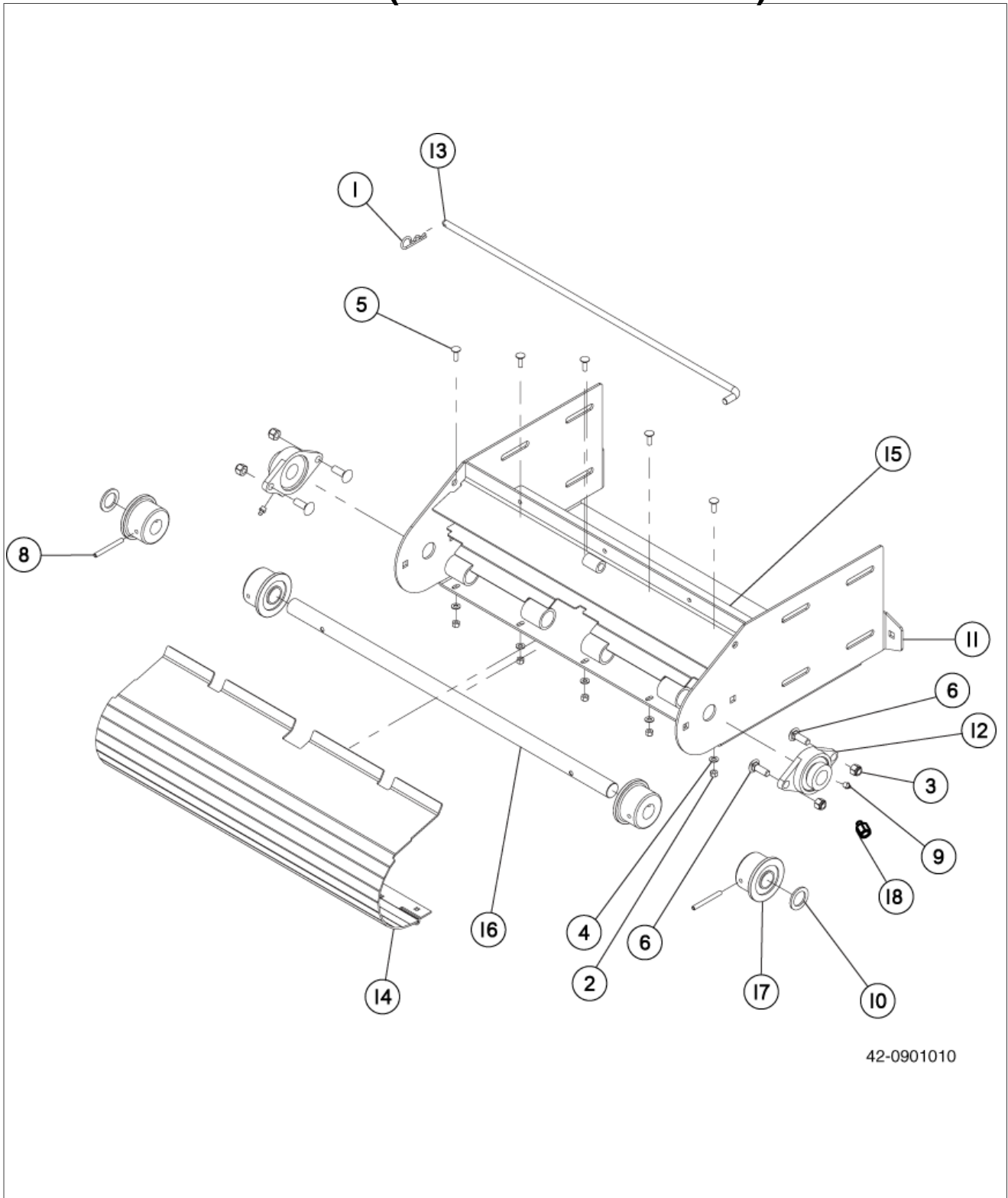
3.04 Split Conveyor (S/N 42.04940 & After)

Item	Part No.	Quantity	Description
42	900537	3	Fitting, Grease, 1/8 PTF
43	900549	1	Key, Square, 1/4 in. x 1-3/4 in.
44	900709	2	Link, #CA550 Offset
45	901105	18	Washer, Flat, 3/8 in. SAE
46	901172	1	Key, Square, 1/4 in. x 2 in.
47	901937	8	Washer, Flat, 1/2 in.
48	908333	4	Bolt, Carriage, 1/2-13 x 1-1/2 in. Gr 5 Short Neck
49	902300	8	Bolt, Hex, 3/8-16 x 1 in. Gr 5 Yellow Zinc
50	902364	2	Bolt, Hex, 3/8-16 x 3/4 in. Gr 5
51	902367	4	Bolt, Hex, 3/8-16 x 1-1/4 in. Gr 5
52	903033	9	Bolt, Hex, 1/4-20 x 1 in. Gr 5 Yellow Zinc
53	903306	4	Bolt, Hex, 1/2-13 x 1-1/2 in. Gr 5
54	903824	4	Bolt, Hex, 1/4-20 x 5/8 in. Gr 5
55	904744	4	Bolt, Carriage, 1/2-13 x 2 in. Gr 5
56	905354	8	Bolt, Carriage, 3/8-16 x 3/4 in. Gr 5 Yellow Zinc
57	905501	1	Grease Zerk, 1/8 NPT Female
58	906402	1	Nut, Hex Lock, 5/8-11 Nylock
59	906492	2	Latch
60	906537	4	Bolt, Carriage, 1/2-13 x 5 in. Gr 5
61	906548	1	Bolt, Carriage, Short Neck, 5/8-11 x 2-1/2 in. Gr 5
62	907392	16	Nut, Hex Lock, 1/2-13 Nylock Stainless Steel
63	907779	20	Nut, Hex Flange Lock, 3/8-16 Nylock Yellow Zinc
64	907784	13	Nut, Hex Flange Lock, 1/4-20 Nylock Yellow Zinc
65	42.1541519	AR	Adapter (For Bearing With 1/4-28 Thread)
66	42.1541780	1	Motor, Hydraulic, Conveyor
66a	16.21179	AR	Seal Kit
66b	42.0901800	1	Key, Shaft (Hydraulic Motor)

This Page Intentionally Left Blank

Section 3

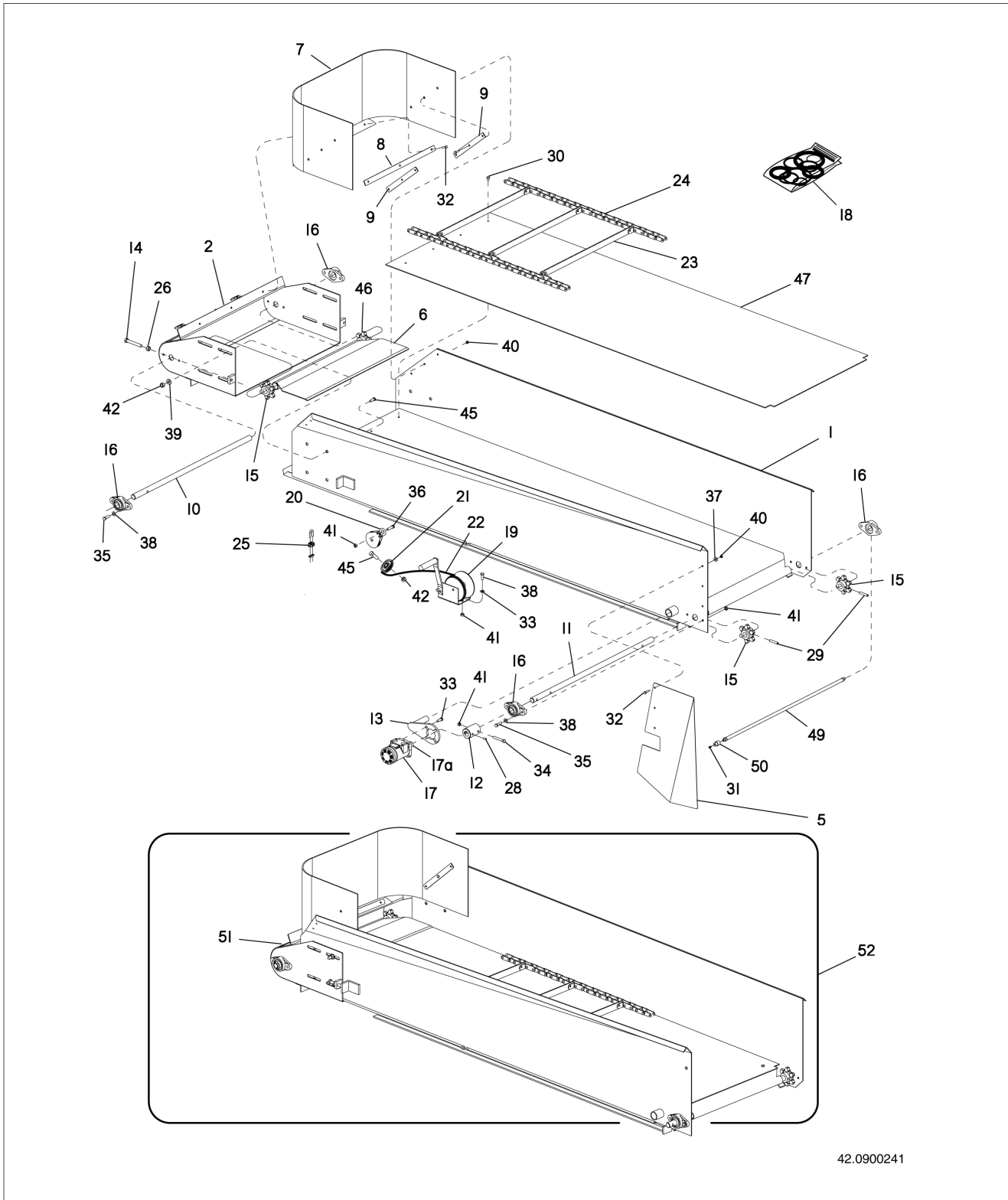
3.05 Lower Assembly, Split Conveyor - G6060, G6070 & G6070P (S/N 42.04940 & After)



3.05 Lower Assembly, Split Conveyor - G6060, G6070 & G6070P (S/N 42.04940 & After)

Item	Part No.	Quantity	Description
1	907472	1	Cotter Pin, Stainless Steel Hair Pin
2	906483	5	Nut, Hex Lock, 5/16-18 Nylock
3	906401	4	Nut, Hex Lock, 1/2-13 Nylock
4	904324	5	Washer, Flat, 5/16 in.
5	903690	5	Bolt, Carriage, 5/16-18 x 1 in. Gr 5
6	908333	4	Bolt, Carriage, 1/2-13 x 1-1/2 in. Gr 5 Short Neck
8	901850	2	Pin, Spring, 5/16 in. x 3 in.
9	900537	2	Fitting, Grease, 1/8-PTF
10	900512	2	Machine Bushing, 1-1/4 in.
11	42.0901034	1	Weldment, Conveyor End Frame
12	42.0901019	2	Bearing, R-Lube, 1-1/4 in. 2 Bolt
13	42.0901009	1	Pin, Conveyor Door Latch
14	42.0901767	1	Clean Out Door w/Decals
15	42.0901003	1	Deflector Weldment, Adjustment End
16	42.0901002	1	Shaft, 1-1/4 in. x 34-3/4 in.
17	42.0900987	4	Conveyor Roller, 1.250 in. Bore
18	42.1541519	AR	Adapter (For Bearing With 1/4-28 Thread)

3.06 Single Conveyor



42.0900241

3.06 Single Conveyor

Item	Part No.	Quantity	Description
1	42.0901788	1	Conveyor, Frame w/Decals (G6060 & PB6000 Only)
2	42.0901787	1	Conveyor End, Adjusting w/Decals (G6060 & PB6000 Only)
	904520	2	Rubber Latch, 3 in. (G6060 & PB6000 Only)
	42.1501318	2	Rubber Latch, 5 in. (G6060 & PB6000 Only)
5	42.0901789	1	Plate, Conveyor End Deflector w/Decals
6	42.6008027.9	1	Guard, Conveyor Tail Shaft (G6060 & PB6000 Only)
7	42.6008052	1	Skirt, Conveyor (G6060 & PB6000 Only)
8	42.6008020	1	Strip, Conveyor Skirting Center (G6060 & PB6000 Only)
9	42.6008021	2	Bracket, Skirting - Small (G6060 & PB6000 Only)
10	42.6008093	1	Shaft, Conveyor Idle (G6060 & PB6000 Only)
11	42.6008092	1	Shaft, Conveyor Drive (G6060 & PB6000 Only)
12	42.6008004.9	1	Coupler, Conveyor Motor (G6060 & PB6000 Only)
13	42.6008011	1	Mount, Hydraulic Motor (G6060 & PB6000 Only)
14	904674	2	Capscrew, Hex Hd. 1/2-13 x 6 in.
15	42.1520773	3	Sprocket, Drive (G6060 & PB6000 Only)
16	42.6008088	4	Bearing, 2 Bolt Flange (G6060 & PB6000 Only)
	42.1510020	AR	Bearing, 1 in. - 2 Bolt Flange
17	42.1540898	1	Motor, Hydraulic, 101-1019-009, 5.9 cu. in. (PB6000 Only)
	42.1541780	1	Motor, Hydraulic, 101-1751-009, 7.3 cu. in. (G6060 & G6070 Only)
17a	42.0901800	1	Key, Shaft (Hydraulic Motor)
18	16.21179	1	Seal Kit, H-Series (For Item 17)
19	42.0900397	1	Winch, Manual (G6060 & PB6000 Only)
20	42.1501314	1	Pulley, Swivel (G6060 & PB6000 Only)
21	42.1501279	1	Pulley (G6060 & PB6000 Only)
22	42.0900554	1	Cable, 1/4 in. x 17 Ft. (G6060 & PB6000 Only)
23	42.6008018	17	Slat, Conveyor Chain (G6060 & PB6000 Only)
24	42.1520318	1	Chain, Conveyor Complete (G6060 & PB6000 Only)
	900703	AR	Link, CA550 Connector
	900709	AR	Link, CA550 Offset
25	42.1590024	2	Clamp, Cable (G6060 & PB6000 Only)
26	900369	2	Nut, Hex, 1/2-13
28	900445	2	Setscrew, Hex Socket, 3/8-16 x 1/2 in. (G6060 & PB6000 Only)
29	09.72010	2	Pin, Roll, 3/8 in. x 2 in. (G6060 & PB6000 Only)
30	902364	4	Capscrew, Hex Hd. 5/16-18 x 3/4 in. Gr 5
31	900537	2	Fitting, Grease (G6060 & PB6000 Only)
32	903033	12	Capscrew, Hex Hd. 1/4-20 x 1 in. Gr 5
33	902300	4	Capscrew, Hex Hd. 3/8-16 x 1 in. Gr 5
34	902884	1	Capscrew, Hex Hd. 3/8-16 x 2-1/2 in. Gr 5
35	902367	8	Capscrew, Hex Hd. 3/8-16 x 1-1/4 in. Gr 5
36	903848	1	Capscrew, Hex Hd. 3/8-16 x 1-1/2 in. Gr 5
37	900493	12	Washer, Flat, 1/4 in.

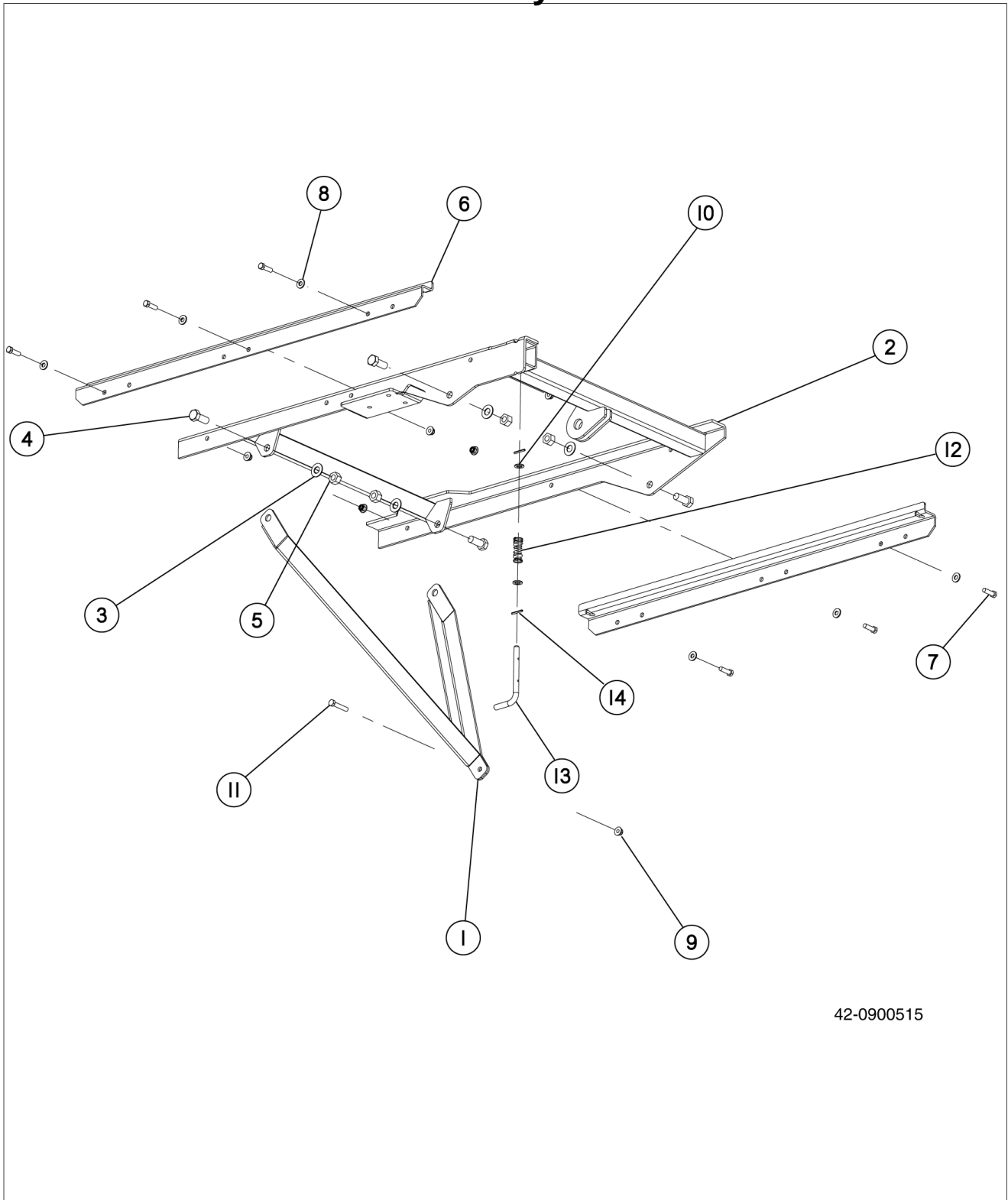
Section 3

3.06 Single Conveyor

Item	Part No.	Quantity	Description
38	900495	8	Washer, Flat, 3/8 in.
39	901937	8	Washer, Flat, 1/2 in.
40	904092	12	Nut, Hex Lock, 1/4-20
41	906400	11	Nut, Hex Lock, 3/8-16
42	906401	9	Nut, Hex Lock, 1/2-13
45	903306	9	Capscrew, Hex Hd. 1/2-13 x 1-1/2 in. Gr 5
46	42.1520773	1	Sprocket, Idle (G6060 & PB6000 Only)
47	42.1501324	1	Polyethelene, High Density (Used On G6060 & PB6000 Only)
49	42.1501519	1	Grease Line - 3/16 in. x 40 in. (Used On G6060 & PB6000 Only)
	42.1501517	1	Grease Line - 3/16 in. x 20.5 in. (Used On G6070 Only)
50	42.1501611	1	Adapter, Swivel
51	42.6008075	1	Door Assembly, Conveyor with Hooks
52	42.6008003	1	Conveyor Complete (Used On G6060 & PB6000 Only)
	42.6008072	1	Guide, Chain Conveyor - Left (G6060 & PB6000 Only) Not Shown
	42.6008073	1	Guide, Chain Conveyor - Right (G6060 & PB6000 Only) Not Shown
	42.1501611	AR	Fitting, Hose End Swivel (Use With Grease Lines)
53	42.6008058	1	Angle, Slide Frame Clamp (G6060 & PB6000 Only)

This Page Intentionally Left Blank

3.07 Conveyor Support/Slide Assembly, Split & Single Conveyor

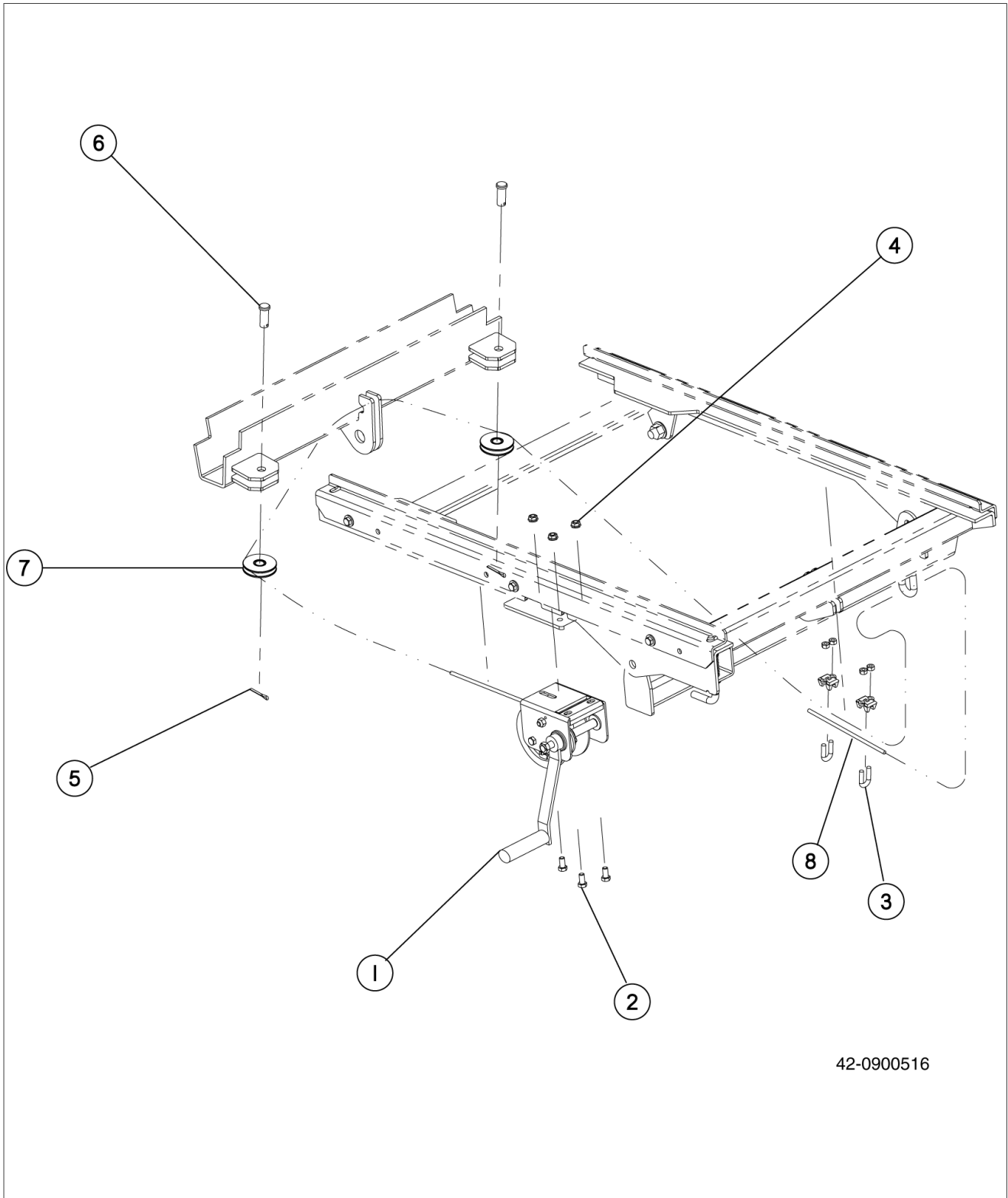


42-0900515

3.07 Conveyor Support/Slide Assembly, Split & Single Conveyor

Item	Part No.	Quantity	Description
1	42.0901533	1	Stabilizer, Conveyor Angle Adjustment
2	42.0900441	1	Frame, Conveyor Slide
3	904763	4	Washer, Flat, 5/8 in. SAE
4	901619	4	Bolt, Hex, 5/8-11 x 1-1/2 in. Gr 5
5	906402	4	Nut, Hex Lock, 5/8-11 Nylock
6	42.0900484	2	Hold Down, Conveyor
7	902367	6	Bolt, Hex, 3/8-16 x 1-1/4 in. Gr 5
8	901105	6	Washer, Flat, 3/8 in. SAE
9	907779	7	Nut, Hex Nylon Flange Lock, 3/8-16 Yellow Zinc
10	900509	2	Bushing, Machine, 1/2 in. x 14 Ga.
11	901633	1	Bolt, Hex, 3/8-16 x 2 in. Gr 5
12	07.17764	1	Spring, Compression
13	17.00750	1	Pin, Cam Lever
14	904246	2	Pin, Spring, 5/32 in. x 1-1/4 in.

3.08 Conveyor Lift Assembly - Manual

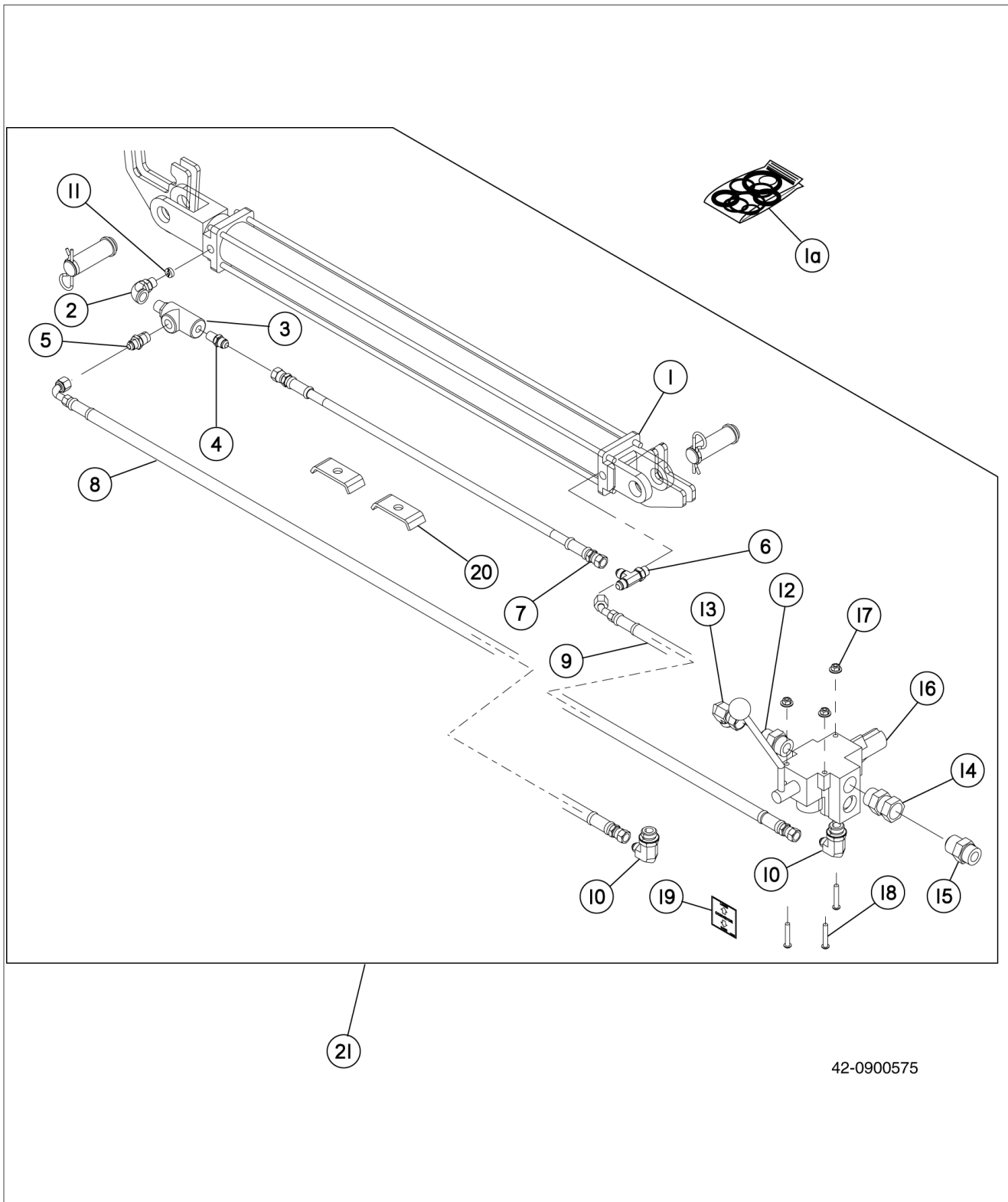


3.08 Conveyor Lift Assembly - Manual

Item	Part No.	Quantity	Description
1	42.0900434	1	Winch, Brake
2	902300	3	Bolt, Hex, 3/8-16 x 1 in. Yellow Zinc
3	900143	2	Clamp, Cable, 1/4 in.
4	903437	3	Nut, Hex Whiz Lock, 3/8-16
5	901292	2	Pin, Cotter, 5/32 in. x 1-1/4 in. Stainless Steel
6	18.00097	2	Pin, Clevis, 5/8 in. x 1-1/2 in. Zinc
7	42.1501279	2	Pulley, 2-1/2 in. OD x 1/4 in. Cable x 5/8 in. ID
8	42.0900554	1	Cable, Conveyor Lift, 1/4 in. x 17 Ft.

Section 3

3.09 Hydraulic Conveyor Lift Kit - G6060, G6070 & G6070P

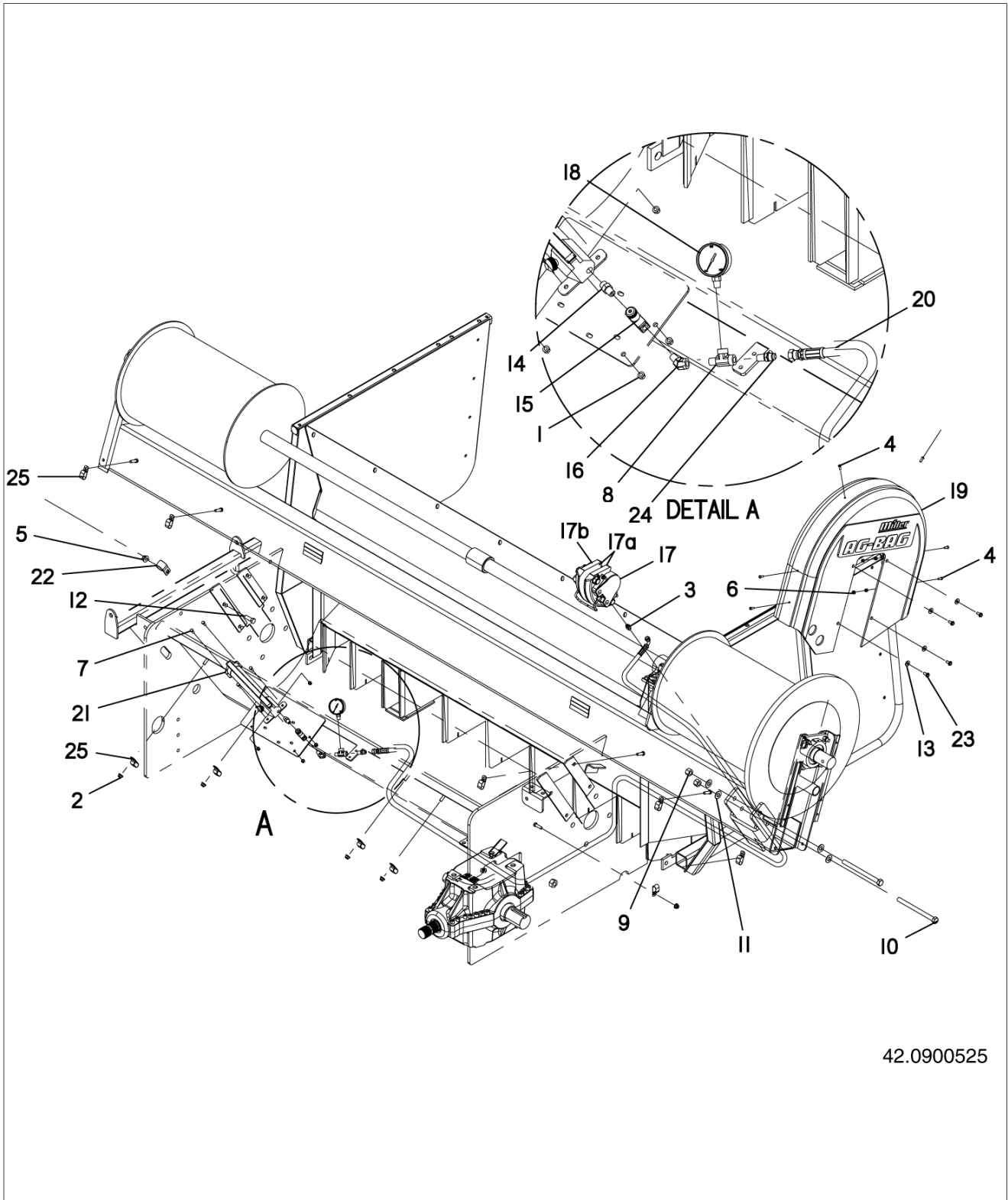


42-0900575

3.09 Hydraulic Conveyor Lift Kit - G6060, G6070 & G6070P

Item	Part No.	Quantity	Description
1	42.0900468	1	Cylinder, Hydraulic, 2 in. x 28 in. x 1-1/8 in.
1a	65.10083	1	Seal Kit, Hydraulic Cylinder
2	907232	1	Elbow, 90° #6 ORB x #6 NPT
3	17.00863	1	Valve, Check
4	07.17861	1	Connector, Male, 3/8 in. JIC x 1/4 in. NPT
5	07.17843	1	Connector, Male, JIC - NPT, 3/8 in. x 3/8 in.
6	32.60704	1	Tee, 06 ORB Run x MJIC
7	42.0900569	1	Hose, Hydraulic, 1/4 in. x 26.5 in. 6 x 6 FJIC
8	42.0900570	1	Hose, Hydraulic, 3/8 in. x 72 in. 6 FJIC 90° x 6 FJIC
9	42.0900571	1	Hose, Hydraulic, 3/8 in. x 42 in. 6 FJIC 45° x 6 FJIC
10	907775	2	Elbow, 90° 10 ORB x 6 MJIC
11	21.00516	1	Orifice, -6 Two Way, .049 in. Dia.
12	42.1540551	1	Adapter, 12 ORB x 7/8 in. MJIC
13	32.61133	1	Elbow, 90° 10 MJIC x FJIC
14	32.01956	1	Adapter, 12 ORB x 3/4 in. JIC Swivel
15	09.74127	1	Adapter, 12 ORB x 3/4 in. MJIC
16	42.0900558	1	Valve, Conveyor Lift w/Handle
17	903376	3	Nut, Hex Whiz Lock, 1/4-20
18	907614	3	Bolt, Button Hd, 1/4-20 x 1-1/2 in. Stainless Steel
19	42.0900013	1	Decal, Conveyor Raise/Lower
20	322848B1	2	Clip, Hydraulic Line
21	42.0900575	1	Kit, Hydraulic Conveyor Lift (Consists Of Items 1 & 2 thru 20)

4.01 Brake Assembly - G6060

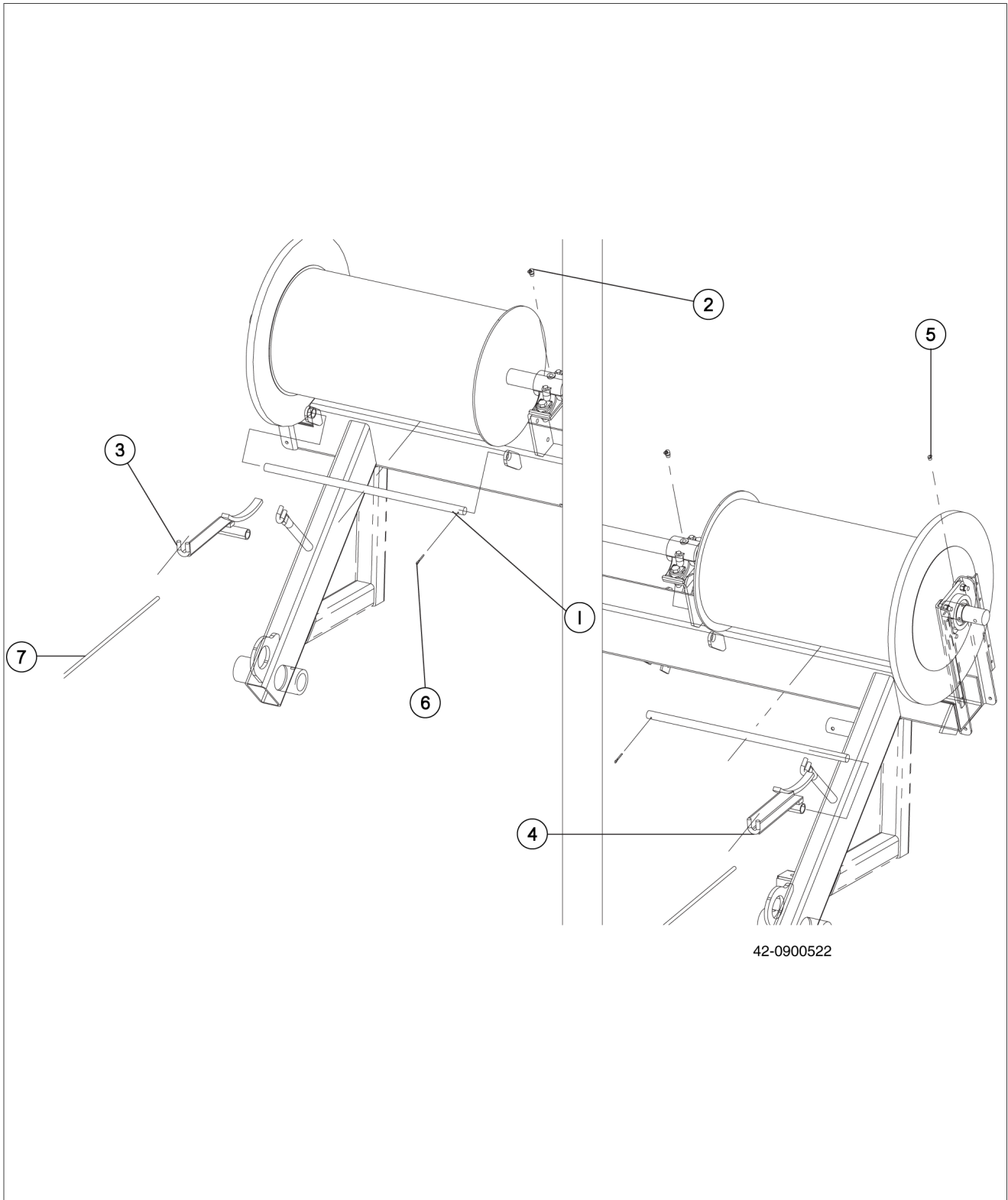


42.0900525

4.01 Brake Assembly - G6060

Item	Part No.	Quantity	Description
1	907784	4	Hhdnut - Nyloc Flang 1/4-20 Yellow Zinc
2	907779	5	Hhdnut - Nylon Lk Flng 3/8-16 Yellow Zinc
3	907695	1	Union -04 ORB-06 MJIC
4	907613	6	Btindhblt, 1/4-20 x 3/4 Stainless Steel
5	907399	1	Hhdnut - Nylon Lk 1/2-13 Flange
6	907389	6	Hhdnut, 1/4-20 Stainless Steel Nylock
7	907270	4	Hhdblt, Stainless Steel 1/4-20 x 3/4
8	907146	1	Tee, 1/4 NPT Male Run
9	906402	2	Hhdnut, 5/8-11 Nylock
10	906392	2	Hhdblt - G5 5/8-11 x 8
11	904763	4	Washer - Flat 5/8 in. SAE
12	903306	1	Hhblt G 5 1/2-13 x 1.50
13	900494	4	Washer, 5/16 Flat
14	42.1542021	1	Adaptor - # 6MO x # 4MP
15	42.1541121	1	Valve - Needle N400s
16	42.1540448	1	Elbow - 45 Street # 4MP x # 4FP
17	42.1501348	1	Brake - Mico
17a	42.1500294	1 Set	Brake Pad
17b	42.1500199	1	Brake Kit, Repair MICO
18	42.1500142	1	Gauge - Liquid Sill 2000 PSI Sm
19	42.0901520	1	Cover - Cable Drum Brake
20	42.0900541	1	Hose - Brake 3/8 x 97
21	42.0900040	1	Pump - Hand 17ci 2000 PSI
22	21.30727	1	Clamp - 1.25 Id Vinyl Coated
23	09.71112	4	Hhdblt - G5 5/16-18 x 3/4 Spec
24	07.17861	1	Conn, Male 3/8 JIC x 1/4 NPT
25	05.73375	10	Clamp - Hose .625 Id Dbl

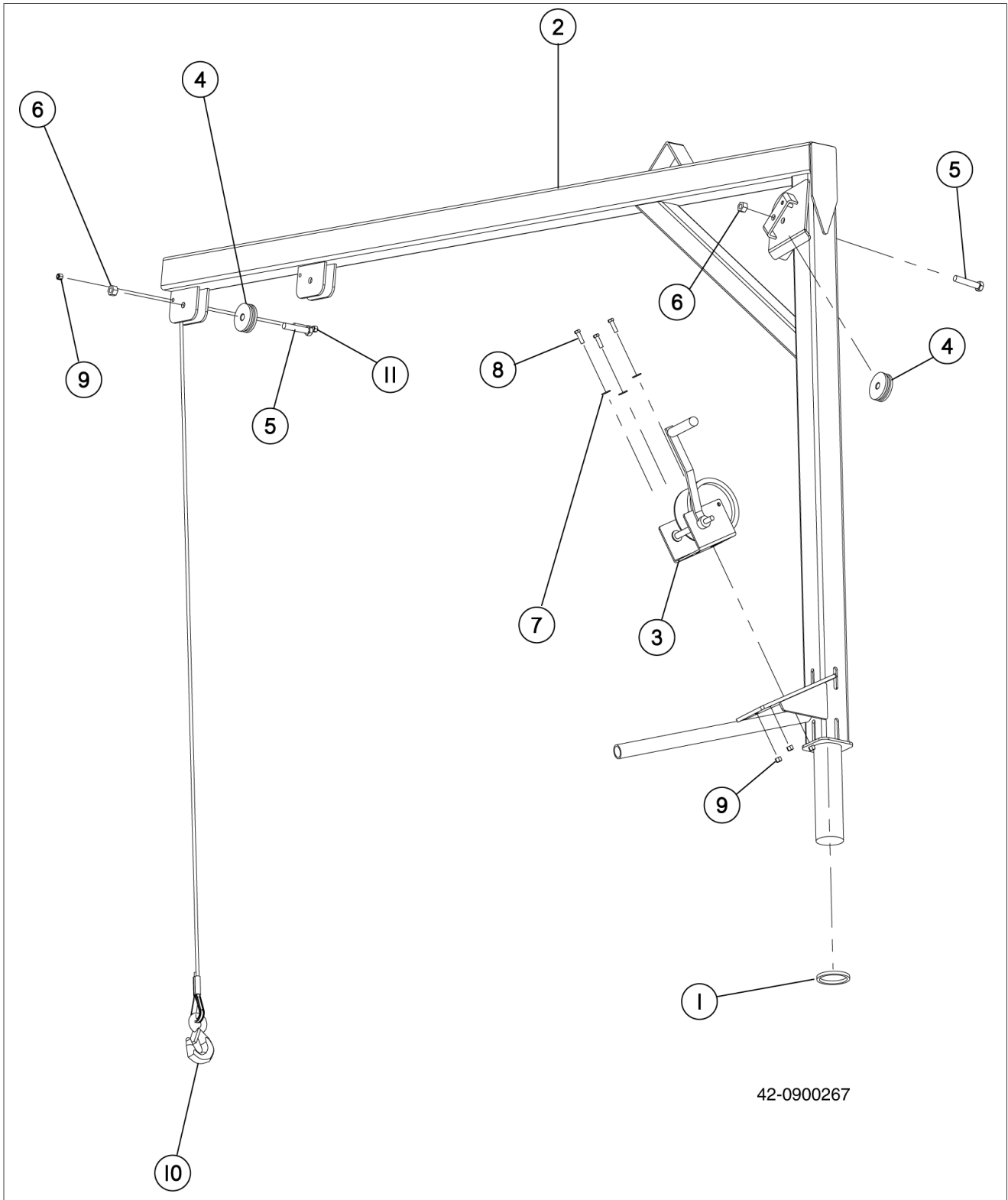
4.02 Cable/Guide Assembly



4.02 Cable/Guide Assembly

Item	Part No.	Quantity	Description
1	42.6003018	2	Rod, Cable Rewind, 1 x 29 in. Zinc - G6070 &G6070P Only
	42.1030069	2	Rod, Cable Rewind - G6060
2	905401	2	Zerk, Grease, 1/4-28, 65°
3	42.6003014	1	Guide, Cable Rewind, Right
4	42.6003013	1	Guide, Cable Rewind, Left
5	900665	2	Zerk, Grease, 1/8, 45°
6	901292	2	Pin, Cotter, 5/32 x 1-1/4 in. Stainless Steel
7	42.1590066	2	Cable, 7/16 x 245 Ft. - G6070 & G6070P Only
	42.1590065	2	Cable, 7/16 x 195 Ft. G6060 Only

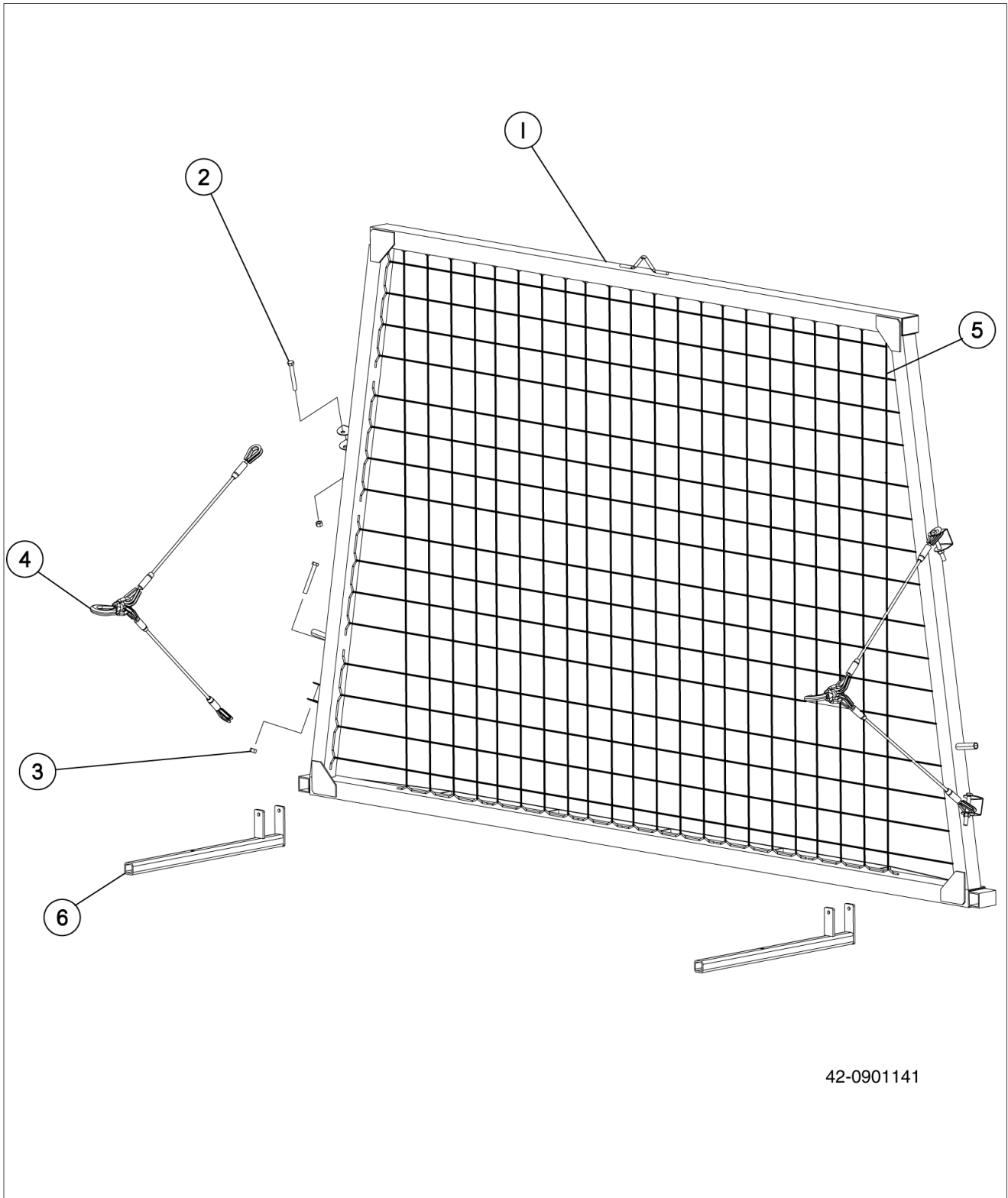
4.03 Bag Boom



4.03 Bag Boom

Item	Part No.	Quantity	Description
1	42.1060039	1	Spacer, Bag Boom, Bronz, 2-15/16 in.
2	42.0900385	1	Frame, Bag Boom, 8-10 Ft.
3	42.0900397	1	Winch, Brake
4	42.1060036	2	Pulley, Bag Boom, 3 in. UHMW
5	903849	2	Bolt, Hex, 5/8-11 x 3 in. Gr 5
6	906402	2	Nut, Hex Lock, 5/8-11 Nylock
7	900495	3	Washer, Flat, 3/8 in.
8	902367	3	Bolt, Hex, 3/8-16 x 1-1/4 in. Gr 5
9	906400	4	Nut, Hex Lock, 3/8-16 Nylock
10	42.1501691	1	Cable, 1/4 x 30 Ft, w/Hook
11	902884	1	Bolt, Hex, 3/8-16 x 2-1/2 in. Gr 5

5.01 Backstop, Steel

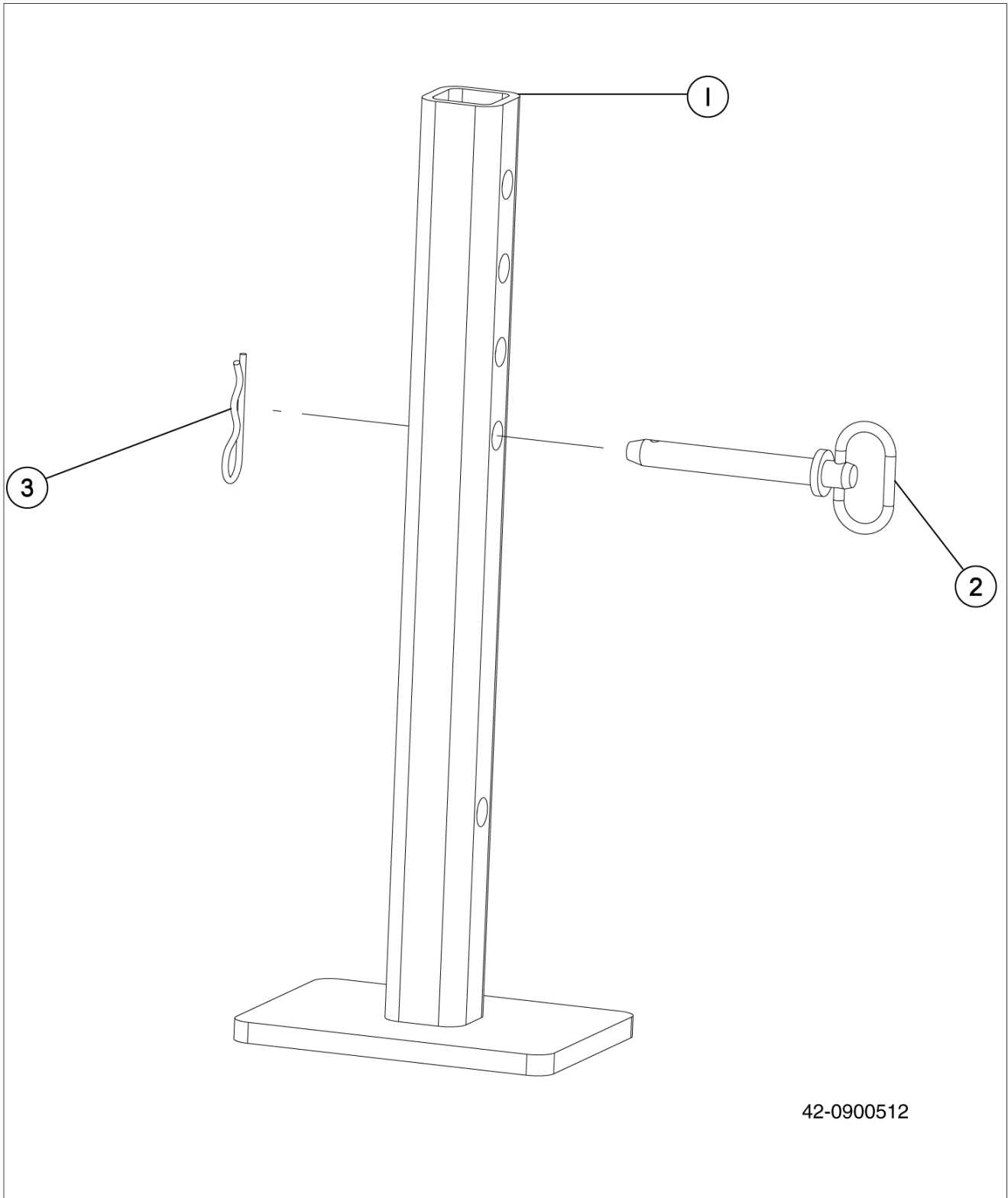


42-0901141

5.01 Backstop, Steel

Item	Part No.	Quantity	Description
1	42.1090008	1	Backstop, 10 Ft - G6070 & G6070P Only
	42.1090014	1	Backstop, 8-9 Ft - G6060 & PB6000 Only
2	904217	4	Bolt, Hex, 5/8-11 x 5 in. Gr 5
3	906402	4	Nut, Hex Lock, 5/8-11 Nylock
4	42.1500412	2	Sling, Backstop Cable, 7/16 x 35 in.
5	42.1560006	1	Rope, Backstop, 3/8 x 400 Ft (10 Ft Backstop)
	42.1560005	1	Rope, Backstop, 3/8 x 300 Ft (8-9 Ft Backstop)
6	42.1090026	2	Support, Backstop Transport - Long - G6060, G6070 & G6070P Without Tunnel Extensions Only
	42.6006063	2	Support, Backstop Transport - Long - G6060, G6070 & G6070P With Tunnel Extensions Only

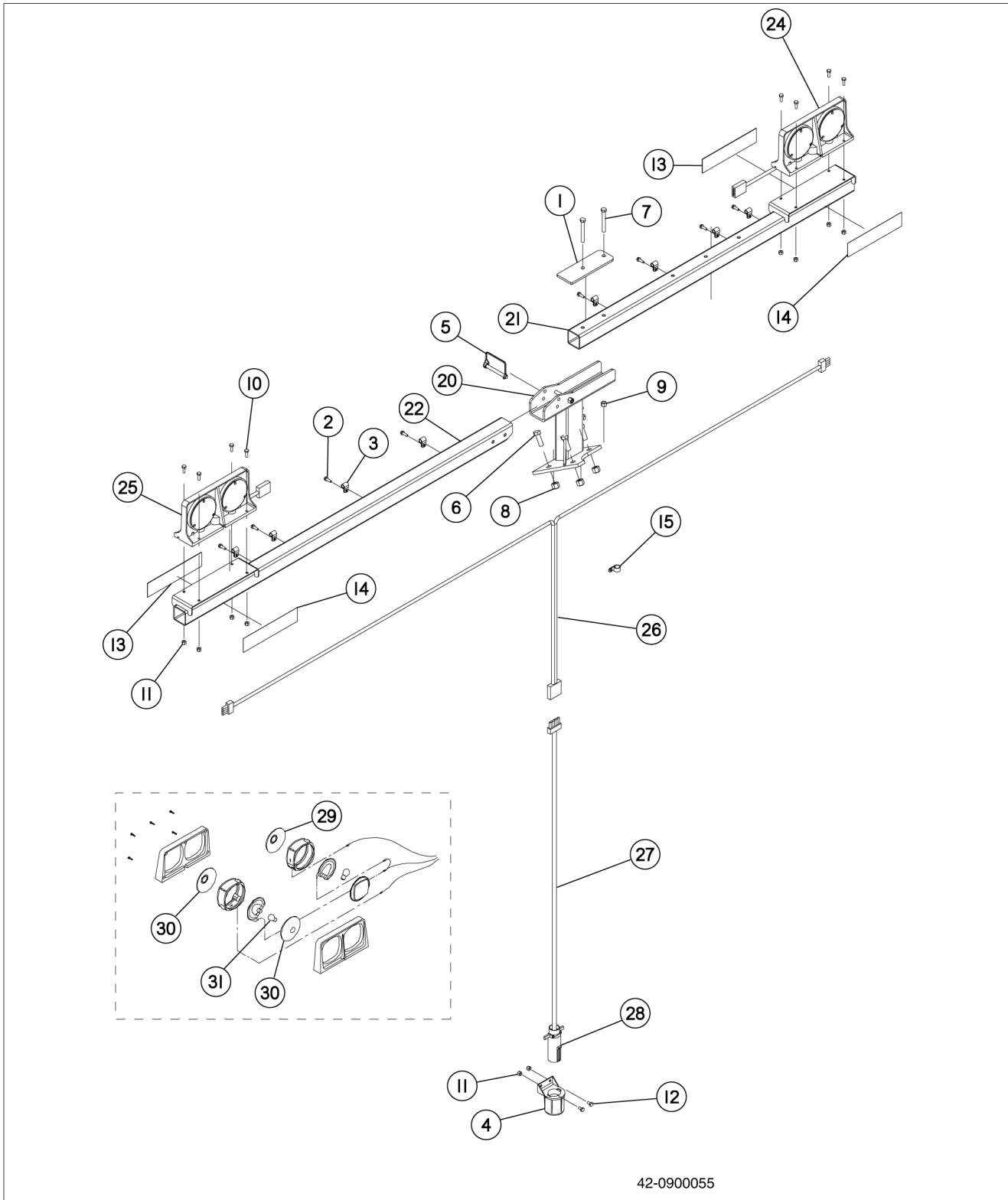
5.02 Jack Stand - G6060, G6070 & G6070P



5.02 Jack Stand - G6060, G6070 & G6070P

Item	Part No.	Quantity	Description
1	42.0900549	1	Stand, Jack
2	42.1150171	1	Pin, Hitch, .625 x 4 in.
3	05.73120	1	Pin, Hair, 5/32 x 2-15/16 in. Zinc

6.01 Transport Lights & Light Stand - G6060, G6070 & G6070P

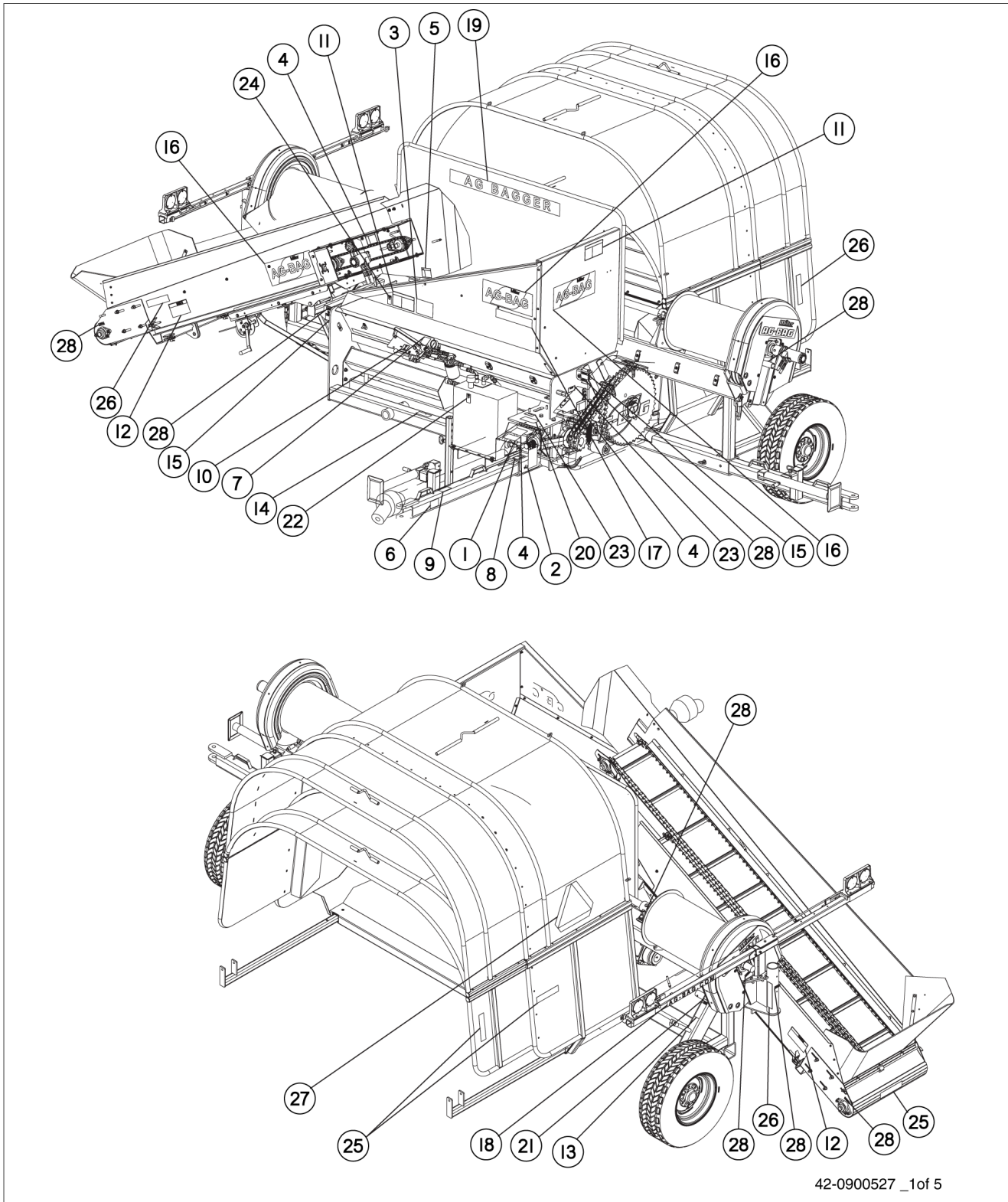


42-0900055

6.01 Transport Lights & Light Stand - G6060, G6070 & G6070P

Item	Part No.	Quantity	Description
1	42.0900408	1	Bar, Light Tube Cover
2	907348	8	Screw, Hex Hd, 1/4-20 x 3/4 in. Stainless Steel, Thread Cutting
3	21.22733	8	Clamp, Vinyl, .38 Dia.
4	16.20165	1	Holder, Plug Storage
5	907768	1	Pin, Lock, 3/8 x 3 in.
6	903306	3	Bolt, Hex, 1/2-13 x 1-1/2 in. Gr 5
7	902831	3	Bolt, Hex, 3/8-16 x 3 in. Gr 5
8	906401	3	Nut, Hex Lock, 1/2-13 Nylock
9	906400	3	Nut, Hex Lock, 3/8-16 Nylock
10	904863	8	Bolt, Hex, 1/4-20 x 3/4 in. Gr 5
11	904092	10	Nut, Hex Lock, 1/4-20 Nylock
12	905011	2	Bolt, Hex, 1/4-20 x 1/2 in. Gr 5
13	907220	2	Decal, Yellow Retroreflective 2 x 9 in.
14	907219	2	Decal, Red Retroreflective 2 x 9 in.
15	17.00650	10	Clamp, Single, .63 ID
20	42.0900049	1	Light Stand Weldment
21	42.0900052	1	Light Tube Weldment, Right Side
22	42.0900054	1	Light Tube Weldment, Left Side
24	42.0900463	1	Light, Dual Lamp, Amber/Red, Right Side
25	42.0900462	1	Light, Dual Lamp, Amber/Red, Left Side
26	42.0900461	1	Harness, Lights, Wishbone
27	42.0900460	1	Harness, Lights (Includes Item 28)
28	16.10818	1	Plug, Light Cord (Included In Item 27)
29	907311	2	Lens, Red (Wesbar)
	908187	2	Lens, Red (Command)
30	907312	4	Lens, Amber (Wesbar)
	908188	4	Lens, Amber (Command)
31	21.20917	4	Bulb, #1157

6.02 Safety Signs & Decals - G6060, G6070 & G6070P

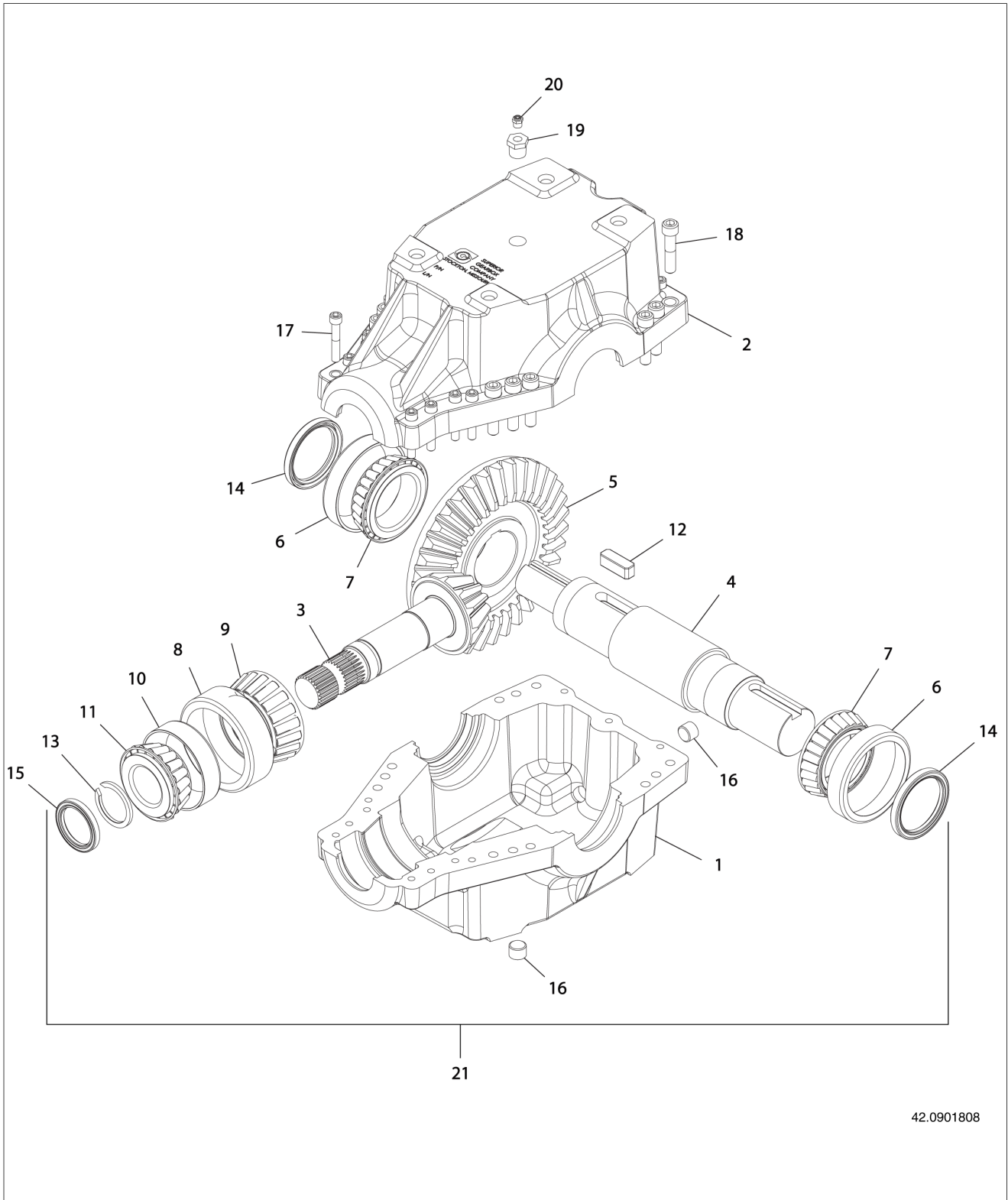


42-0900527 _1of 5

6.02 Safety Signs & Decals - G6060, G6070 & G6070P

Item	Part No.	Quantity	Description
1	01.77800	1	Safety Sign, Warning, No Step
2	16.20177	2	Safety Sign, Danger, Rotating Drive Line
3	16.20178	1	Safety Sign, Warning, Before Operating
4	16.20179	3	Safety Sign, Warning, Shield Is Off
5	16.20181	1	Safety Sign, Warning, Rotating Parts
6	17.01155	2	Safety Sign, Warning, Foot Crushing
7	21.09024	1	Safety Sign, Warning, High Pressure Oil
8	333532B2	1	Safety Sign, Warning, Shield Is Off
9	340248B1	1	Safety Sign, Caution 540 RPM (G6060 & G6070)
10	42.0900014	1	Decal, Conveyor/Cable Rewind
11	42.0900820	2	Safety Sign, Danger, Rotor Entanglement
12	42.0900821	2	Safety Sign, Danger, Conveyor Entanglement
13	42.0900822	2	Safety Sign, Warning Cable Entanglement
14	42.0900823	2	Decal, Important, Lug Nuts
15	42.0900837	2	Decal, Grease Rotor Bearing
16	42.0901563	3	Decal, Ag-Bag Logo, 7 x 19 in.
17	42.0901565	1	Decal, G6070 (G6070 & G6070P)
	42.0901564	1	Decal, G6060 (G6060)
18	42.0901566	1	Decal, ag-bag.com, 1.75 x 20 in.
19	42.0901567	1	Decal, Ag-Bagger, 4 x 42 in.
20	42-0901581	1	Decal, 75W-90 Syn Oil
21	42.0901739	2	Decal, Important, Cable Guide Removal
22	42.1530028	1	Decal, Notice, Hydraulic Oil Only
23	42.1530054	2	Decal, Oil Chain
24	42.1530065	1	Decal, Notice, Tractor Neutral
25	907219	3	Decal, Red Retroreflective, 2 x 9 in.
26	907220	4	Decal, Yellow Retroreflective, 2 x 9 in.
27	907225	1	Decal, SMV Emblem
28	907510	11	Decal, Grease

7.01 Gearbox, Dual Output Aluminum

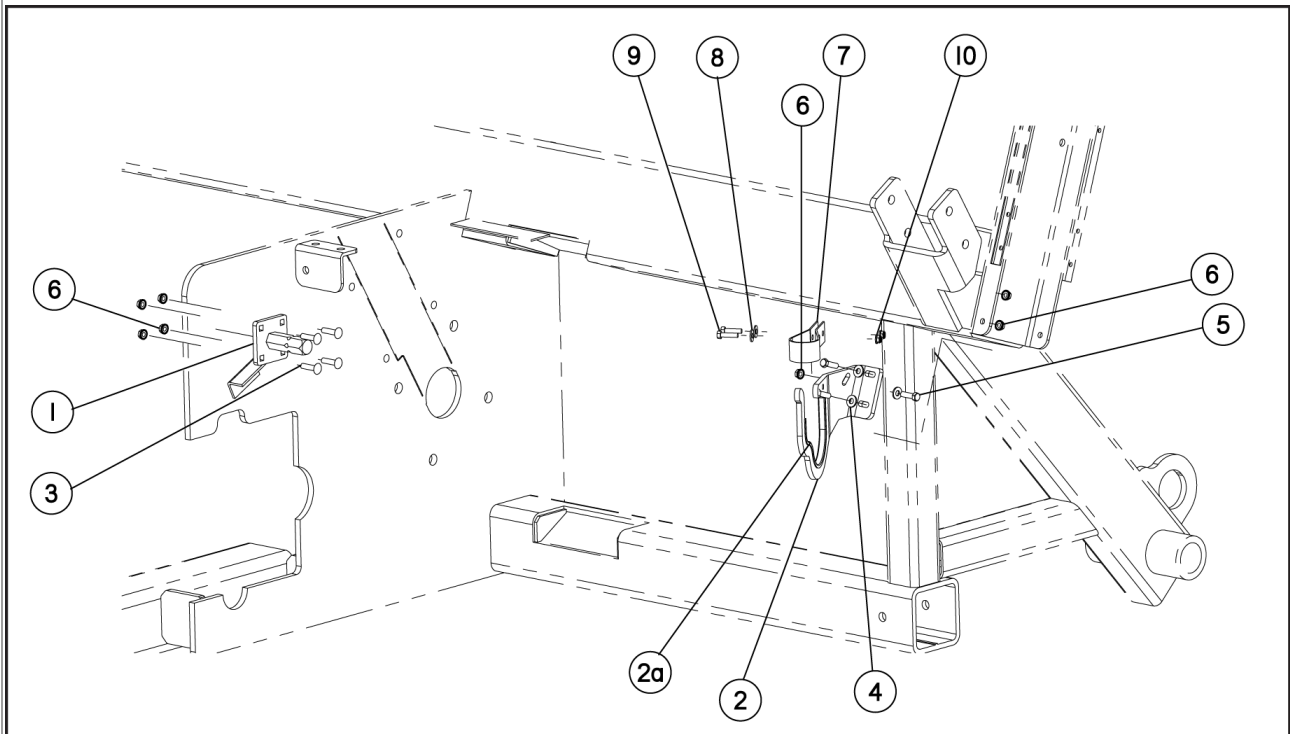


42.0901808

7.01 Gearbox, Dual Output Aluminum

Item	Part No.	Quantity	Description
1	42.0000317	1	Housing, R700 TAP Improved
2	42.0000318	1	Housing, R700 THRU Improved
3	42.1520316	1	Pinion Gear
4	42.1500381	1	Shaft, Cross R700
5	42.1520774	1	Gear
6	42.1510215	2	Bearing Cup, 4.6250 TK #33462
7	44.01604	2	Bearing Cone, 2.750 TK #33275
8	42.1510199	1	Bearing Cup, TK #5535
9	42.1510059	1	Bearing Cone, TK #5565
10	905456	1	Bearing Cup, 4.125 TK #HM807010
11	42.1510060	1	Bearing Cone, TK #HM807044
12	42.0901101	1	Key, 5/8 x 5/8 x 1.845
13	42.1500338	1	Retaining Ring, External, 1.938
14	42.0901875	2	Seal, 2.750 - 3.500 x .375 Viton
15	42.0901876	1	Seal, 1.937 - 2.623 x .312 Viton
16	903096	2	Plug, 1/2-14 NPT, Socket Head
17	906385	11	Bolt, SHCS, 3/8-16 x 2-1/4 in.
18	907896	12	Bolt, SHCS, 1/2-13 x 2-1/4 in. Gr 8
19	904768	1	Bushing, 1/2 NPT To 1/8 NPT
20	42.1541774	1	Plug, Vent, 1/8-27 NPT, 5 psi
21	42.0901808	1	Gearbox, Complete

8.01 PTO Transport Kit - G6060 & G6070



42-0900458

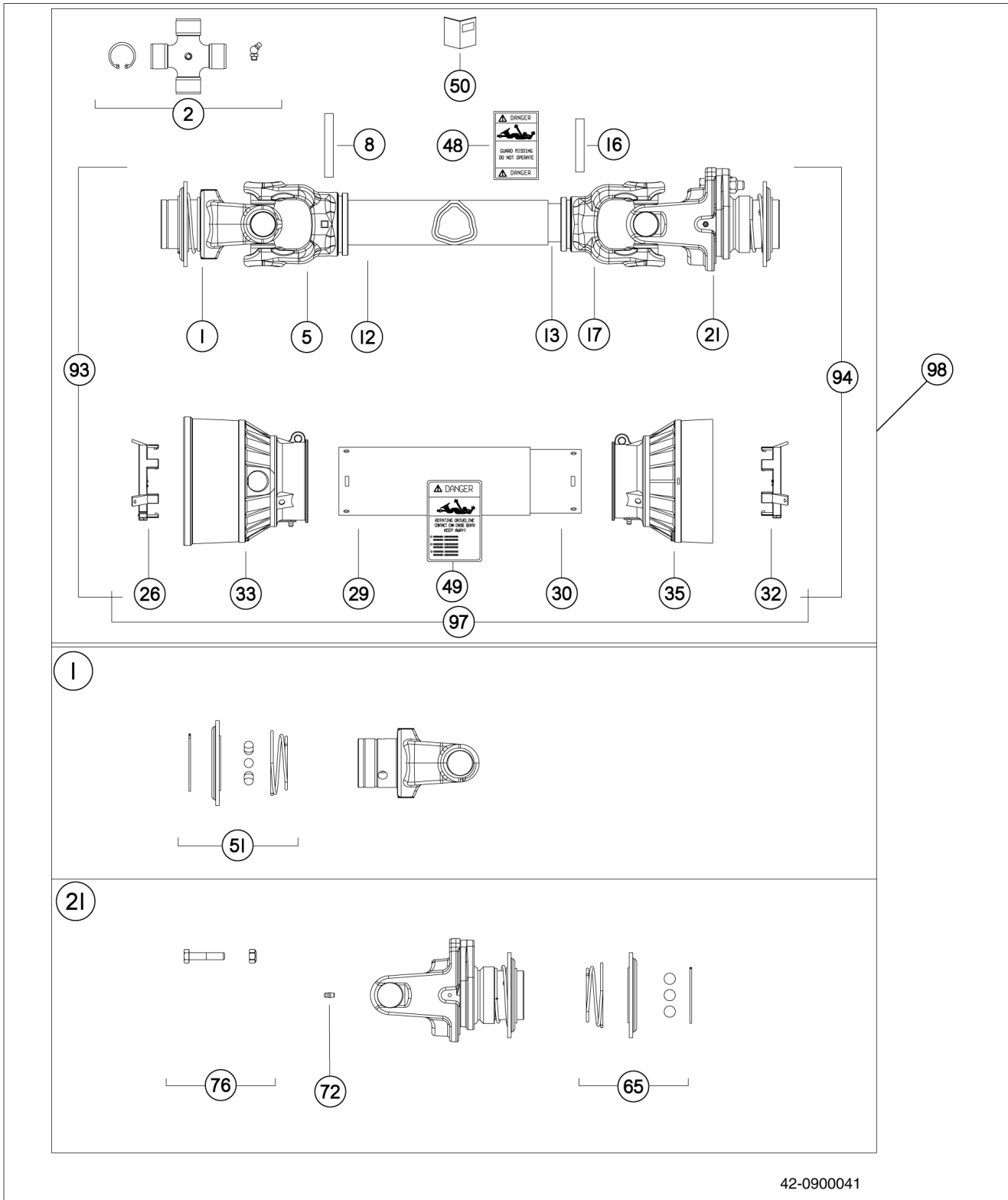
11

8.01 PTO Transport Kit - G6060 & G6070

Item	Part No.	Quantity	Description
1	42.0900427	1	Weldment, PTO Transport, Bolt On
2	42.0900457	1	PTO Cradle, Bolt On w/ Trim
2a	11.80534	1.2 Ft	Trim, Black Vinyl, .250 - .500 (Order per Foot)
3	904336	4	Bolt, Carriage, 3/8-16 x 1-1/2 in.
4	901105	3	Washer, Flat, 3/8 in. SAE
5	902367	3	Bolt, Hex, 3/8-16 x 1-1/4 in. Gr 5
6	903437	7	Nut, Hex Whiz Lock, 3/8-16
7	42.0900559	1	Lock, PTO Cradle
8	900494	2	Washer, Flat, 5/16 in.
9	904464	2	Bolt, Hex, 5/16-18 x 1-1/4 in. Gr 5 Yellow Zinc
10	907625	2	Nut, Hex Lock, Nylon Flange, 5/16-18 Blk Zinc
11	42.0900458	1	Kit, PTO Transport (Includes Items 1 thru 10)

Section 8

8.02 PTO Shaft - PB6000 & (G6060 up to 2009 Production)

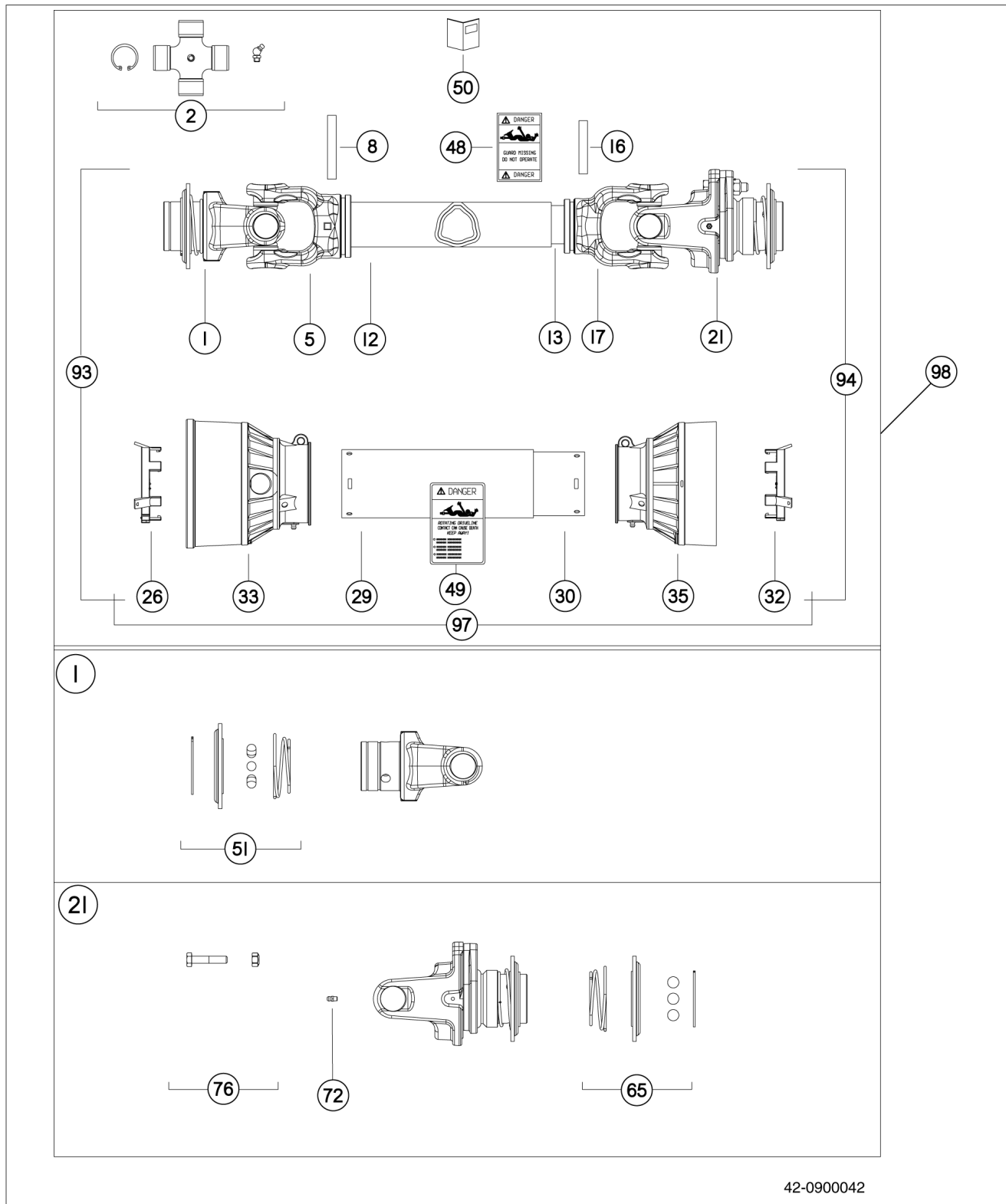


8.02 PTO Shaft - PB6000 & (G6060 up to 2009 Production)

Item	Part No.	Quantity	Description
1	42.0901553	1	Yoke, #6/S7, 1-3/8 in. Z6 Ball
2	42.1500875	2	Cross Kit, #6, 30.2 x 91.4
5	42.1501636	1	Yoke
8	42.1501853	1	Flexible Roll Pin, #6/7 Outer, 10 x 75mm
12	42.0901555	1	Tube
13	42.0901556	1	Tube, CARDAN #6 Inner
16	42.1520749	1	Flexible Roll Pin, #6/7 Inner, 10 x 65mm
17	42.1501858	1	Yoke, #6 Inner Tube
21	42.0900043	1	Yoke, Ball Shear #6, 1-3/4 in. 27QD
26	42.1501047	1	Shield Support, #6-7 Outer 6G502
29	NSS	1	Safety Tube (Not Serviced Separately)
30	NSS	1	Safety Tube (Not Serviced Separately)
32	42.1501048	1	Shield Support, #6-7 Inner 6G602
33	NSS	1	I.Cone, Shield Cone, #5-6-7 Inner (Not Serviced Separately)
35	NSS	1	I.Cone, Shield Cone, #5-6-7 Inner (Not Serviced Separately)
48	331639B2	1	Danger Label, Outer Drive Tube
49	329594B2	1	Danger/Shield Label
50	NSS	1	Instruction Booklet (Not Serviced)
51	42.0901557	1	Kit, Ball Collar, 1-3/8 in. #6
65	42.0000692	1	Kit, RT Ball Collar S5/S9, 1-3/4 in.
72	NSS	1	Grease Fitting, M6 x 1 Straight (Not Serviced Separately)
76	42.0900156	1	Screws, Bolt-Nut M10 x 50mm CL8.8
91	NSS	1	Half Shaft, Uncleared (Not Serviced Separately)
92	NSS	1	Half Shaft, Uncleared (Not Serviced Separately)
93	NSS	1	Half Shaft, Cleared (Not Serviced Separately)
94	NSS	1	Half Shaft, Cleared (Not Serviced Separately)
95	NSS	1	Half Shield Kit (Not Serviced Separately)
96	NSS	1	Half Shield Kit (Not Serviced Separately)
97	42.0901558	1	Complete Shield Kit
98	42.0000041	1	PTO Shaft, Complete

Section 8

8.03 PTO Shaft - G6070 & (G6060 2009 Production & After)

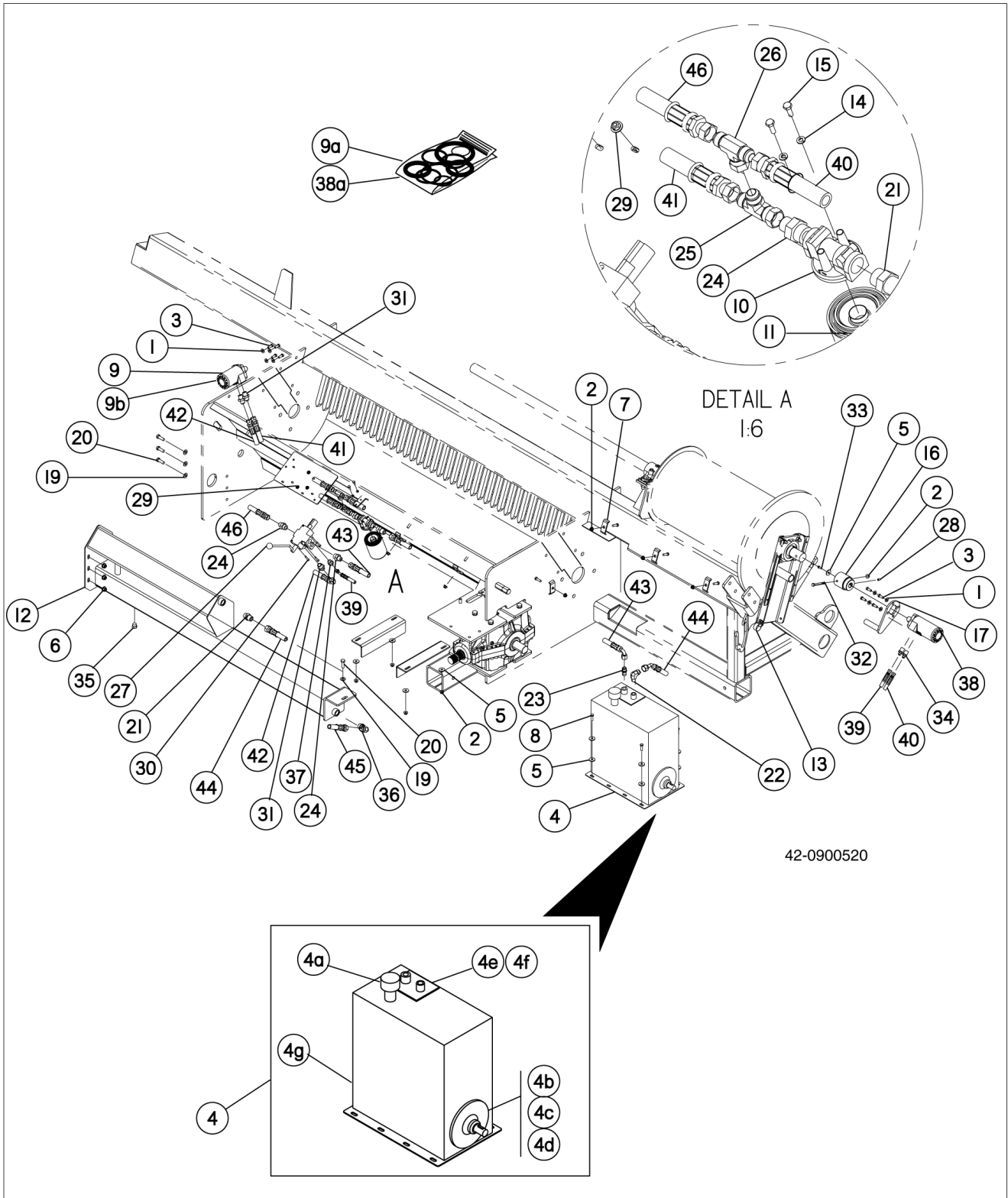


42-0900042

8.03 PTO Shaft - G6070 & (G6060 2009 Production & After)

Item	Part No.	Quantity	Description
1	42.0900112	1	Yoke, #8/S9, 1-3/8 in. Z6 Ball
2	42.1501790	2	Cross Kit, #8, 35 x 106
5	42.1501637	1	Yoke, #8 Outer Tube
8	42.0900123	1	Flexible Roll Pin, #8/9 Outer, 12 x 90mm
12	42.0901559	1	CARDAN Tube
13	42.0901560	1	Tube, CARDAN #8 Inner
16	42.0900124	1	Flexible Roll Pin, #8/9 Inner, 12 x 75mm
17	42.1501638	1	Yoke, #8 Inner Tube
21	42.0900044	1	Yoke, Ball Shear #8, 1-3/4 in. 27QD
26	42.0900121	1	Shield Support, #8-9-10 Outer 8G502
29	NSS	1	Safety Tube (Not Serviced Separately)
30	NSS	1	Safety Tube (Not Serviced Separately)
32	42.0900122	1	Shield Support, #8-9-10 Inner 8G602
33	42.0900108	1	O.Cone, Shield Cone, #8-9 Outer Std.
35	NSS	1	I.Cone, Shield Cone, #8-9 Inner (Not Serviced Separately)
48	331639B2	1	Danger Label, Outer Drive Tube
49	329594B2	1	Danger/Shield Label
50	NSS	1	Instruction Booklet (Not Serviced)
51	42.0901561	1	Kit, Ball Collar, 1-3/8 in. #8
65	42.0000692	1	Kit, RT Ball Collar S5/S9, 1-3/4 in.
72	NSS	1	Grease Fitting, M6 x 1 Straight (Not Serviced Separately)
76	42.0900154	1	Bolt, M12 x 55mm CL8.8
91	NSS	1	Half Shaft, Uncleared (Not Serviced Separately)
92	NSS	1	Half Shaft, Uncleared (Not Serviced Separately)
93	NSS	1	Half Shaft, Cleared (Not Serviced Separately)
94	NSS	1	Half Shaft, Cleared (Not Serviced Separately)
95	NSS	1	Half Shield Kit (Not Serviced Separately)
96	NSS	1	Half Shield Kit (Not Serviced Separately)
97	42.0901562	1	Complete Shield Kit
98	42.0000042	1	PTO Shaft, Complete

9.01 Hydraulic Drive Assembly - G6060 & G6070



9.01 Hydraulic Drive Assembly - G6060 & G6070

Item	Part No.	Quantity	Description
1	901105	8	Washer, Flat, 3/8 in. SAE
2	907779	11	Nut, Hex Nylon Flange Lock, 3/8-16 Yellow Zinc
3	902300	8	Bolt, Hex, 3/8-16 x 1 in. Gr 5 Yellow Zinc
4	42.0900762	1	Tank, Hydraulic w/Pump & Decals (Includes Items 4a thru 4g)
4a	42.1500686	1	Cap, Breather
4b	42.0900240	1	Pump Kit w/Relief Valves & Gasket (Includes Items 4c & 4d)
4c	42.0900395	1	Relief Valves (1 set)
4d	42.0901129	1	Gasket, Pump Flange
4e	42.0901128	1	Gasket, Top Access Plate
4f	42.0901130	1	Hose, Hydraulic, 3/8 NPT x 22 in. 2WB - 1.000
4g	21.00300	1	Plug, Oil Drain
5	907057	13	Washer, Flat, .388 x 1.25 x .12 in.
6	907399	4	Nut, Hex Nylon Flange Lock, 1/2-13
7	322848B1	6	Clip, Hydraulic Line
8	902367	4	Bolt, Hex, 3/8-16 x 1-1/4 in. Gr 5
9	42.1541780	1	Motor, Hydraulic, Conveyor
9a	16.21179	1	Seal Kit, Hydraulic Motor
9b	42.0901800	1	Key, Shaft (Hydraulic Motor)
10	42.1541757	1	Base, Filter
11	42.1540167	1	Filter, Hydraulic, P551553
12	42.0900248	1	Reservoir, Tubular - G6070 Only
	42.0900247	1	Reservoir, Tubular - G6060 Only (Optional)
13	21.00340	1	Clamp, 1-1/2 in. Vinyl
14	900502	2	Washer, Lock, 1/4 in.
15	904863	2	Bolt, Hex, 1/4-20 x 3/4 in. Gr 5
16	42.1030014.8	1	Coupling, Cable Rewind
17	42.6008011	1	Mount, Hydraulic Motor, 101 Series
19	901937	4	Washer, Flat, 1/2 in.
20	903306	4	Bolt, Hex, 1/2-13 x 1-1/2 in. Gr 5
21	09.74127	2	Adapter, 12 ORB x 3/4 MJIC
22	32.60755	1	Elbow, 1/2 MPT x 3/4 MJIC
23	32.60008	1	Adapter, 1/2 MPT x 10 JIC
24	42.1540551	3	Adapter, 12 ORB x 7/8 MJIC
25	907669	1	Tee, Swivel Run, 10 JIC
26	907554	1	Tee, Branch, 10 JIC Swivel
27	42.0900557	1	Valve, Flow Control w/Handle - Conveyor & Cable Rewind
	42.0900175	1	Handle Kit
	42.0900176	1	Seal Kit
	42.0900177	1	Relief cartridge
	42.0000272	1	Knob
28	900445	1	Screw, Set, 3/8-16 x 1/2 in.

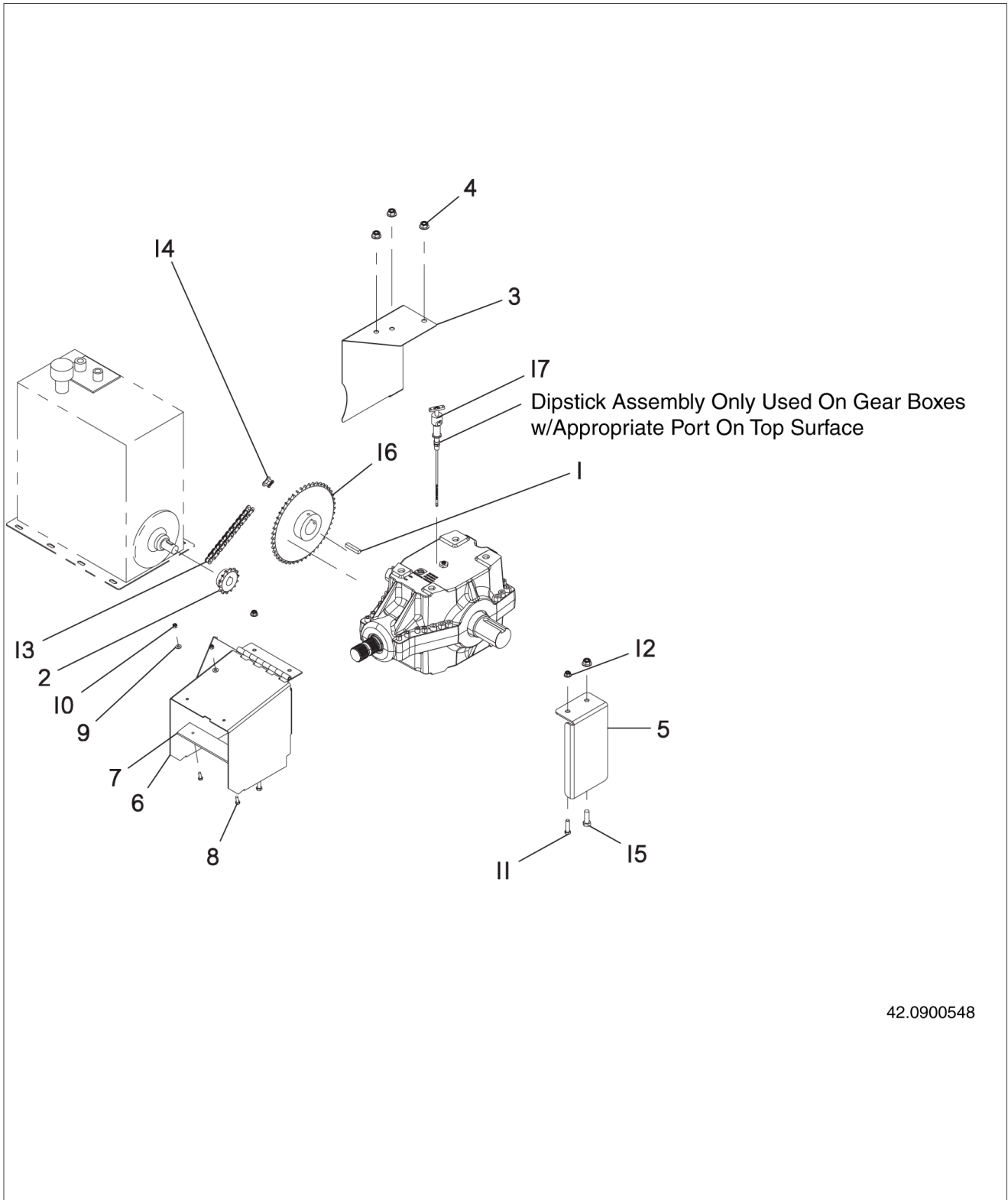
Section 9

9.01 Hydraulic Drive Assembly - G6060 & G6070

Item	Part No.	Quantity	Description
29	903376	3	Nut, Hex Lock, 1/4-20 Whizlock
30	907614	3	Bolt, Button Head, 1/4-20 x 1-1/2 in. Stainless Steel
31	40.00147	3	Connector, 37° ORB 7/8-14
32	904214	1	Bolt, Hex, 3/8-16 x 3-1/2 in. Gr 5
33	907348	1	Screw, Hex Hd, 1/4-20 x 3/4 in. Thread Cutting Stainless Steel
34	07.17851	2	Connector, Male, 3/8 JIC x 1/2 NPT
35	907168	1	Plug, 08 ORB
36	09.74125	1	Elbow, 90° 37° Flare, 3/4
37	907774	1	Connector, 06 MJIC x 10 ORB
38	42.1541054	1	Motor, Hydraulic, Charlyn 101-1272
38a	16.21179	1	Seal Kit, Hydraulic Motor
39	42.0900531	1	Hose, Hydraulic, 3/8 x 155 in. (Valve Pressure to Cable Rewind Motor)
40	42.0900532	1	Hose, Hydraulic, 3/8 x 152 in. (Cable Rewind Motor Return to Filter)
41	42.0900533	1	Hose, Hydraulic, 5/8 x 57 in. (Conveyor Motor Return to Filter)
42	42.0900534	1	Hose, Hydraulic, 5/8 x 52 in. (Valve Pressure to Conveyor Motor)
43	42.0900535	1	Hose, Hydraulic, 5/8 x 25 in. (Main Tank Pressure to Valve)
44	42.0900536	1	Hose, Return, 3/4 x 34 in. (Upper Auxiliary Tank to Main Tank)
45	42.0900537	1	Hose, Return, 3/4 x 43 in. (Filter to Lower Auxiliary Tank)
46	42.0900538	1	Hose, Hydraulic, 5/8 x 19 in. (Valve Return to Filter)

This Page Intentionally Left Blank

9.02 Hydraulic Drive, PTO Shield Assembly - G6060



42.0900548

9.02 Hydraulic Drive, PTO Shield Assembly - G6060

Item	Part No.	Quantity	Description
1	42.6012005	1	Key Sq - 3/8 x 2 in.
2	42.1520759	1	Sprocket 50b14f 1
3	42.0900459	1	Shield - Rear Pump Drive
4	907399	4	Hhdnut - Nylon Lk 1/2-13 Flange
5	42.0900452	1	Shield - Grbx Pto
6	42.0900450	1	Wldmnt - Shld, Input Flip Up
7	42.1120061	1	Uhmw Strip, Pto Guard
8	907270	2	Hhdblt, Stainless Steel 1/4-20 x 3/4
9	907234	2	Washer, Stainless Steel 1/4 Flat
10	907389	2	Hhdnut, 1/4-20 Stainless Steel Nylock
11	903848	2	Hhdblt - 3/8-16 x 1-1/2
12	907779	2	Hhdnut - Nylon Lk Flng 3/8-16 Yellow Zinc
13	42.1520761	1	Chain - 50 Riveted 66 P 41 in. Oal Ust
14	42.1520073	1	Link - #50 Connector Ust
15	903306	1	Hhdblt G 5 1/2-13 x 1.50
16	42.1520760	1	Sprocket 50b48f 1_3/4
17	42.0901813	1	Dipstick Complete Assembly

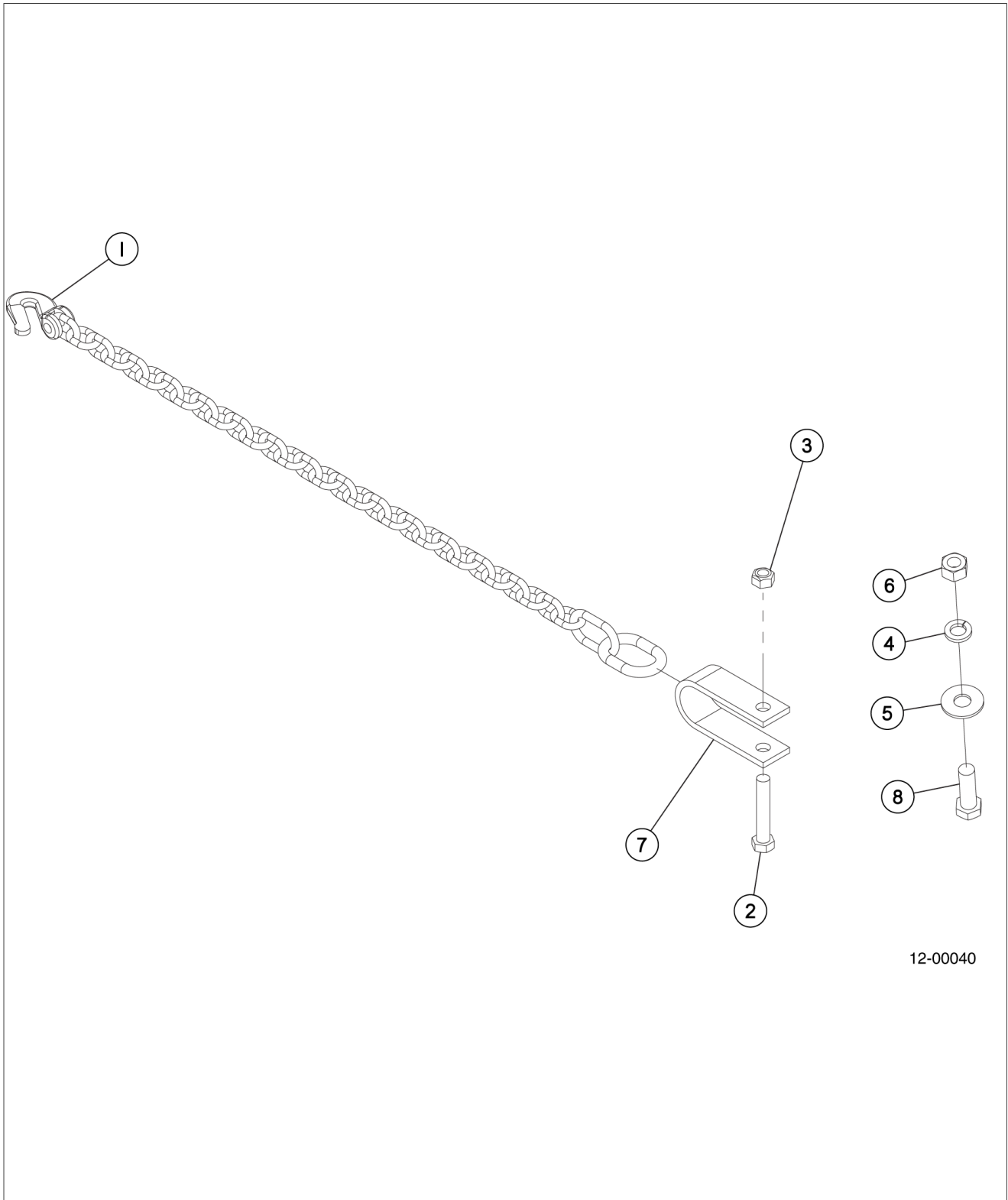
10.01 Miscellaneous Items



10.01 Miscellaneous Items

Item	Part No.	Quantity	Description
1	42.1500893	AR	Valve, Bag Vent
2	42.1500568	AR	Tool, Bag Vent
	42.1570001	AR	Spray Adhesive - Not Shown
	42.1500534	AR	Koster Moisture Tester - Not Shown
	42.1500523	18/Case	Repair Tape, 2 in. x 36 Yard Roll - Not Shown
	42.1500525	24/Case	Repair Tape, 3 in. x 36 Yard Roll - Not Shown
	42.1501331	18/Case	Repair Tape, 4 in. x 36 Yard Roll - Not Shown
3	42.1500272	AR	Master Seal, 250 Ft Roll
	42.1500270	AR	Master Seal, 9.5 ft Lengths 4/Box
	42.1500267	AR	Master Seal, 14.5 ft Lengths 4/Box For 8 & 9 ft Bags
	42.1500268	AR	Master Seal, 17 ft Lengths 4/Box For 10 ft Bags
	42.1500269	AR	Master Seal, 20 ft Lengths 4/Box For 11 & 12 ft Bags
4	42.1500273	AR	Master Seal Zip Tool
5	42.00000	AR	Inoculant, Granular, 50 lb Bucket (Treats 100 Ton)
6	42.00001	AR	Inoculant, Liquid 50 Ton Foil Pouch
	42.00002	AR	Inoculant, Liquid 250 Ton Foil Pouch For Inject. Sprayer
	42.1500473	1	Liquid Inoculant Applicator, 15 Gallon Sprayer - Not Shown
	42.1500474	1	Liquid Inoculant Applicator, 27 Gallon Sprayer - Not Shown
	42.1500475	1	Liquid Inoculant Applicator, 55 Gallon Sprayer - Not Shown
	42.1501207	1	Bird Netting, 30 x 100 Ft - Not Shown
	42.1501283	1	Bird Netting, 30 x 375 Ft - Not Shown
	42.1501208	1	Bird Netting, 30 x 500 Ft - Not Shown

10.02 Safety Chain Kit

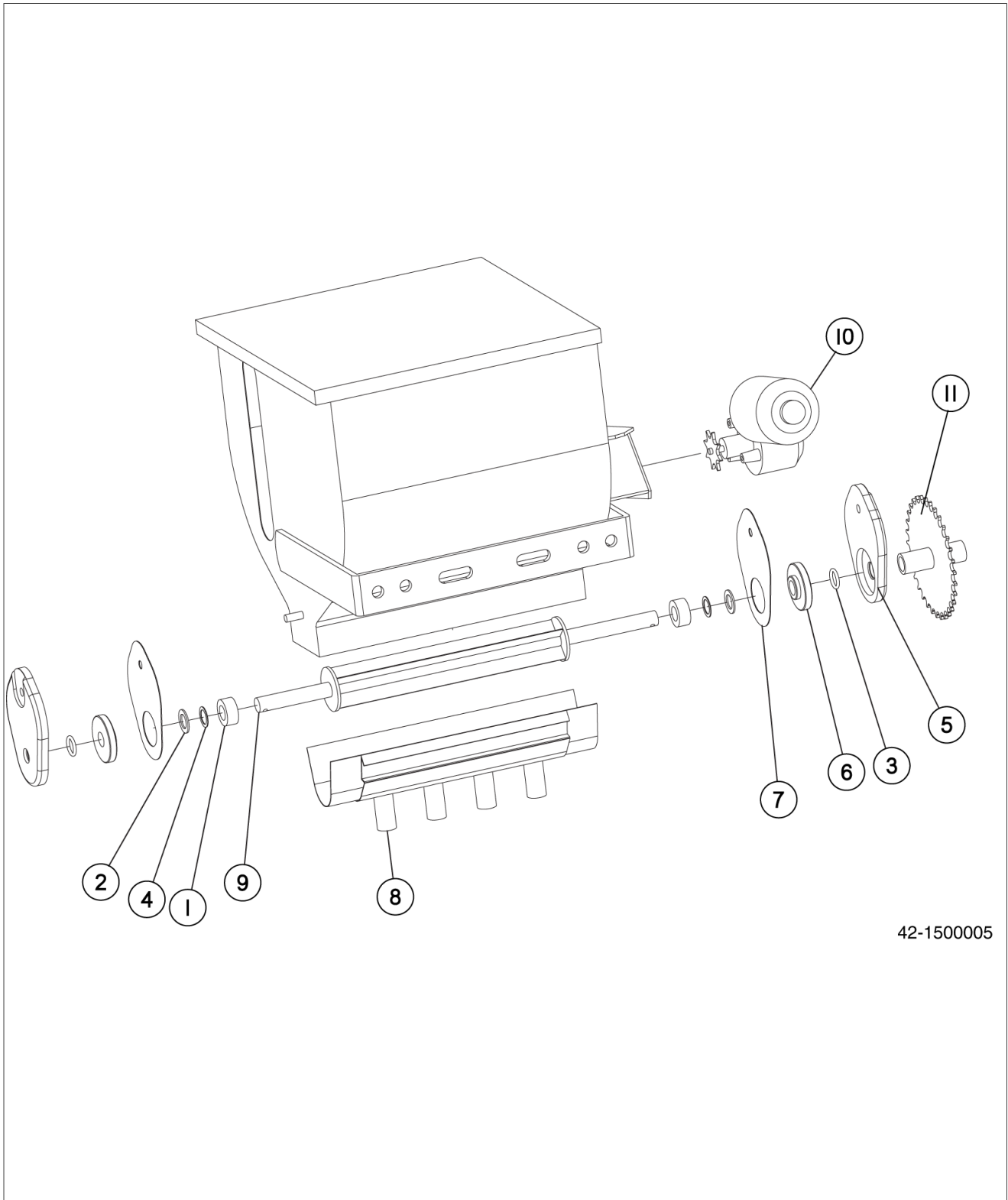


12-00040

10.02 Safety Chain Kit

Item	Part No.	Quantity	Description
1	907673	1	Chain, Safety
2	904635	1	Bolt, Hex, 5/8-11 x 3-1/2 in. Gr 5
3	902193	1	Nut, Hex Top Lock, 5/8-11
4	900700	1	Washer, Lock, 3/4 in. Yellow Zinc
5	900499	1	Washer, Flat, 3/4 in.
6	900372	1	Nut, Hex, 3/4-10
7	12.10006	1	Clevis
8	09.71754	1	Bolt, Hex, 3/4-10 x 2-1/4 in. Gr 5

10.03 Gandy, 45 lb. Dry Inoculant Applicator

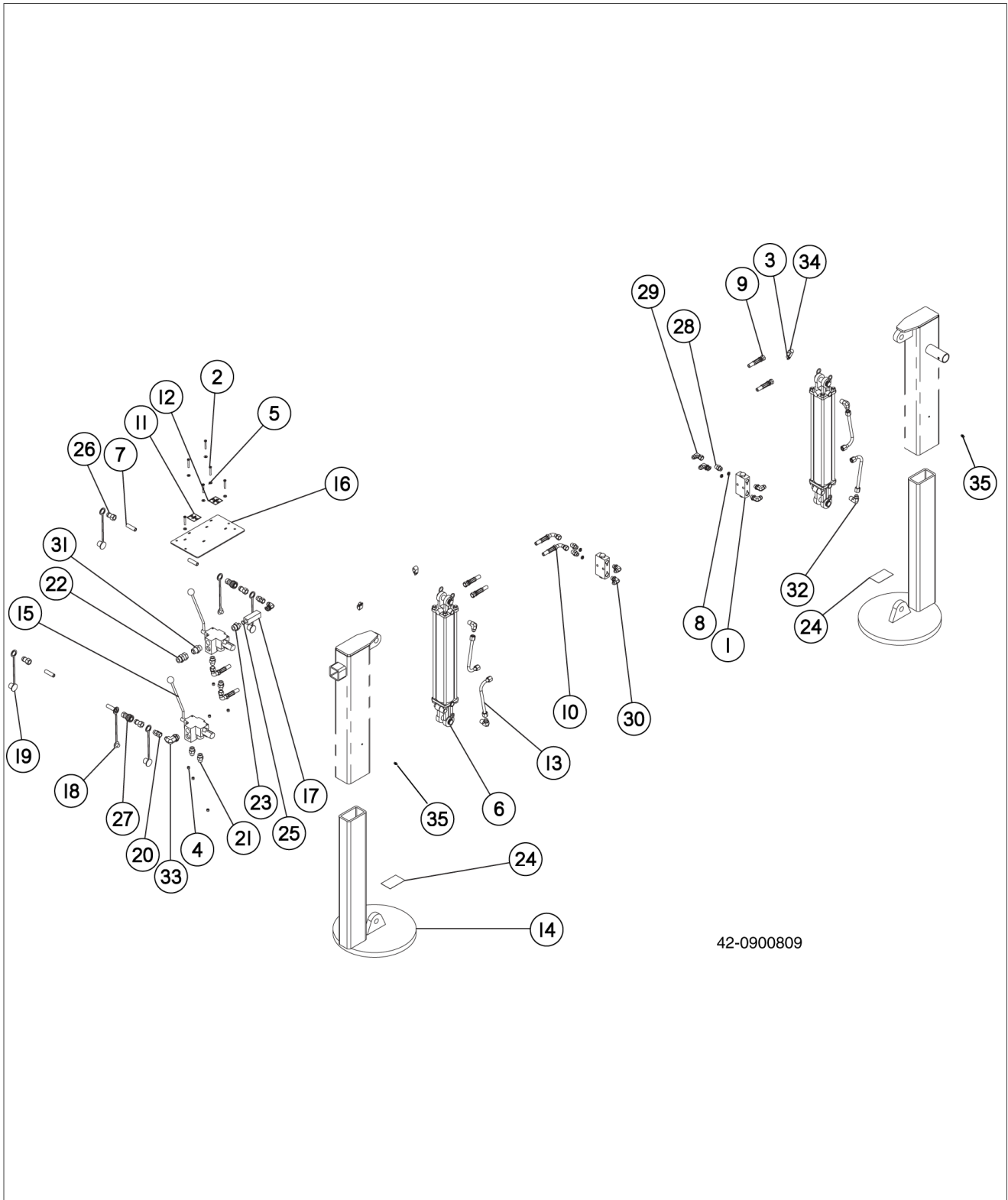


42-150005

10.03 Gandy, 45 lb. Dry Inoculant Applicator

Item	Part No.	Quantity	Description
1	42.1501991	2	Washer, Sponge, Gandy
2	42.1501922	2	Washer, Gandy
3	42.1501921	2	O-Ring, Rubber, Gandy
4	42.1501920	2	Washer, Gandy
5	42.1501630	2	Retainer, Bearing
6	42.1501628	2	Bearing, Gandy
7	42.1501621	2	Gasket, Bearing Retainer, Gandy
8	42.1500472	1	Bottom/Slide, 4 Hole Straight, Jumbo
9	42.1500344	1	Rotor, Gandy, Jumbo 10 in. Rubber
10	42.1500276	1	Motor, Electric, w/Brackets & Harness
11	42.1502070	1	Sprocket

10.04 Hydraulic Lift Kit - G6060, G6070 & G6070P

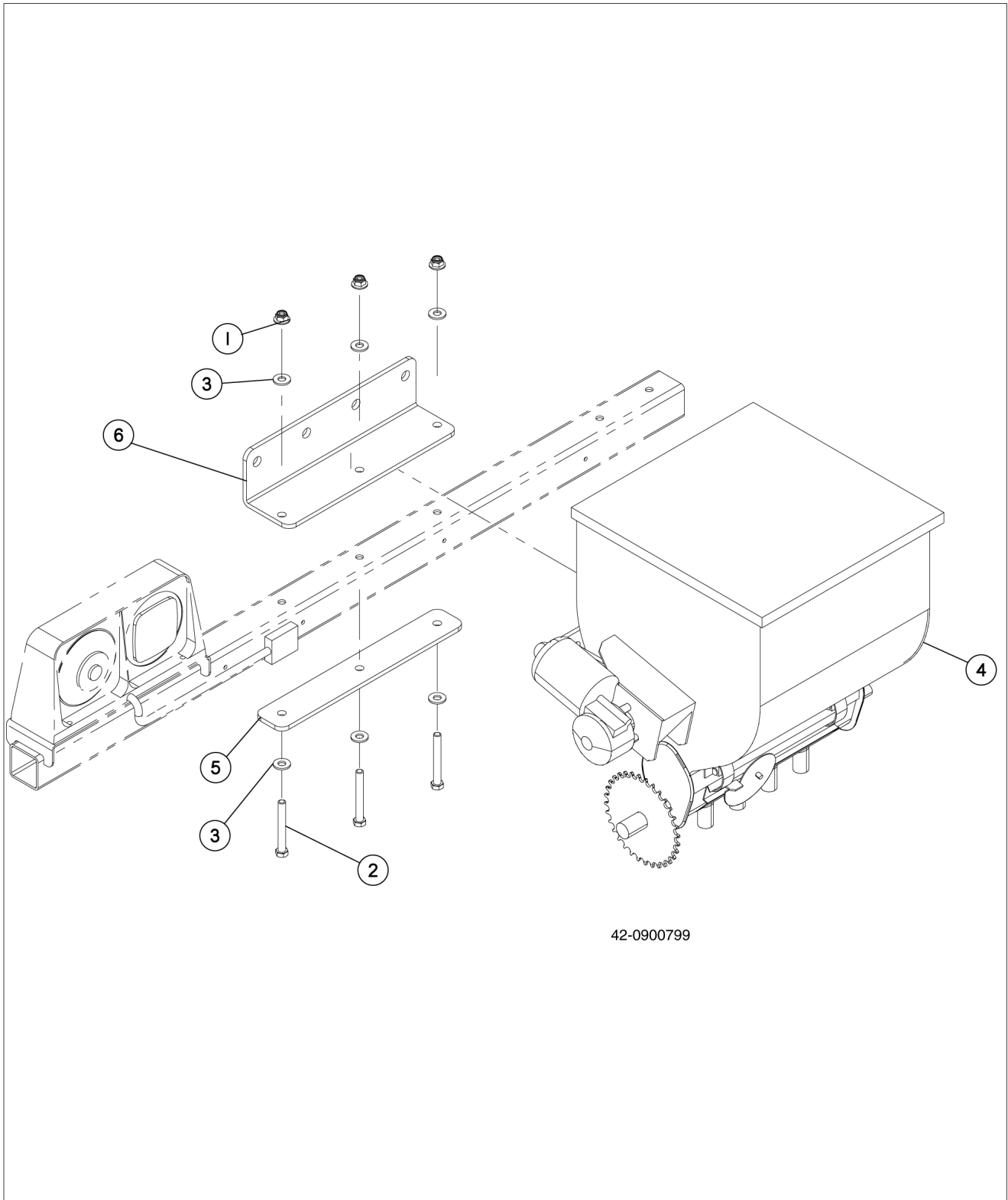


42-0900809

10.04 Hydraulic Lift Kit - G6060, G6070 & G6070P

Item	Part No.	Quantity	Description
1	907912	2	PO Check Valve, Double -8 ORB
	42.0801293	1	Individual Cartridge (Included with Item 1)
2	907060	6	Bolt, Hex, 1/4-20 x 1-3/4 in. Gr 5
3	906400	3	Nut, Hex Lock, 3/8-16 Nylock
4	904092	6	Nut, Hex Lock, 1/4-20 Nylock
5	900493	6	Washer, Flat, 1/4 in. SAE Yellow Zinc
6	42.1541342	2	Cylinder, Hydraulic, 3 x 18 in.
7	42.0901412	2	Hose, Hydraulic, 3/8 x 144 in.
8	42.0901411	4	Orifice, -8 ORB One Way, .059 in.
9	42.0901320	2	Hose, Hydraulic, 3/8 x 150 in.
10	42.0901319	2	Hose, Hydraulic, 3/8 x 24 in.
11	42.0901317	1	Decal, Hitch End Lift
12	42.0901316	1	Decal, Conveyor End Lift
13	42.0901176	4	Tube, Hydraulic, 1/2 in. Lift, PO Check
14	42.0900830	2	Jack Base, Hydraulic Lift
15	42.0900558	2	Valve, Conveyor Lift w/Handle
16	42.0900466	1	Plate, Valve & Brake Pump Mount
17	40.00149	1	Check Valve
18	32.03085	2	Dust Plug, 1/2 in.
19	32.03084	4	Dust Cap, 1/2 in.
20	32.03077	2	Adapter, -08 ORB x 1/2 in. JIC Swivel
21	32.02101	4	Adapter, -10 ORB x 1/2 in. Male JIC
22	32.01956	1	Adapter, -12 ORB x 3/4 in. JIC Swivel
23	32.01940	1	Adapter, -12 ORB x 1/2 in. Male JIC
24	21.09025	2	Decal, Pinch Point
25	21.00902	1	O-Ring, SAE -8 (.64 I.D.)
26	09.74158	4	Coupler, Quik, Male, -08 ORB
27	09.74157	2	Coupler, Quik, 3/4-16 ORB Female
28	09.74155	3	Adapter, -08 ORB x 1/2 in. Male JIC
29	09.74149	1	Elbow, 90°, 1/2 in. JIC Swivel
30	09.74145	6	Elbow, -08 ORB x 1/2 in. Male JIC
31	09.74127	1	Adapter, -12 ORB x 3/4 in. Male JIC
32	07.19006	4	Elbow, 1/2 in. NPT x 1/2 in. Male JIC
33	07.17943	1	Elbow, -12 ORB x -08 Male JIC
34	05.73375	3	Clamp, Hose, .625 in. I.D. Double
35	900538	2	Grease Fitting, 1/4-28

10.05 Gandy Option - G6060, G6070 & G6070P

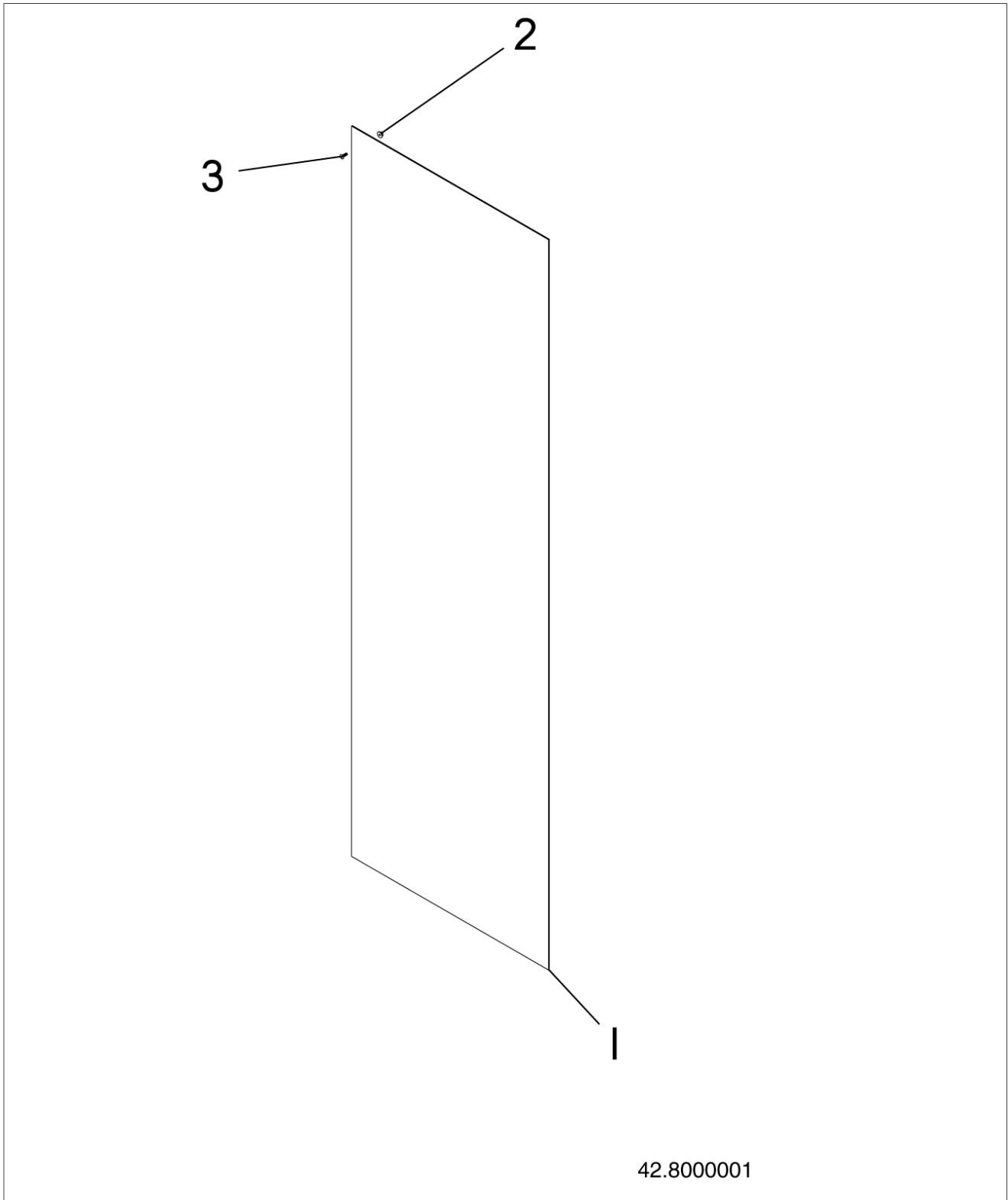


42-0900799

10.05 Gandy Option - G6060, G6070 & G6070P

Item	Part No.	Quantity	Description
1	907779	3	Nut, Hex Lock Flange, 3/8-16 Yellow Zinc Nylock
2	902831	3	Bolt, Hex, 3/8-16 x 3 in. Gr 5
3	901105	6	Washer, Flat, 3/8 in. SAE
4	42.1500005	1	Gandy, 45# 4H Dry Inoculant Applicator
5	42.0900443	1	Bar, Backup Gandy Base Mount
6	42.0900442	1	Angle, Gandy Base Mount

10.06 Option: Conveyor Liner



10.06 Option: Conveyor Liner

Item	Part No.	Quantity	Description
1	42.1501324	1	Sheet: Polyethylene - Hd 1/8 x 29-7/8 x 96
2	903376	4	Hhdnut - Lock 1/4 Whiz
3	908416	4	Screw: Fshcs, 1/4-20 x 3/4 Yellow Zinc



Part Number Index

The Part Number Index is a numeric index of all part numbers included in this manual. The index shows what page(s) the part is used on.

Part Number	Page	Part Number	Page	Part Number	Page	Part Number	Page
01.73266	7	42.0000093	7	42.0900443	75	42.0901394	23
01.77800	51	42.0000094	7	42.0900445	7	42.0901397	23
05.73120	7, 11, 47	42.0000095	7	42.0900447	7	42.0901402	23
05.73375	39, 73	42.00001	67	42.0900450	65	42.0901411	73
07.17764	33	42.0000101	20	42.0900452	65	42.0901412	73
07.17843	37	42.00002	67	42.0900457	55	42.0901438	23
07.17851	62	42.0000272	61	42.0900458	55	42.0901439	23
07.17861	37, 39	42.0000317	53	42.0900459	65	42.0901518	15
07.17943	73	42.0000318	53	42.0900460	49	42.0901519	15
07.19006	73	42.0000692	57, 59	42.0900461	49	42.0901520	39
09.70985	20	42.0801293	73	42.0900462	49	42.0901533	33
09.71112	15, 39	42.0900004	20, 23	42.0900463	49	42.0901553	57
09.71251	20, 23	42.0900005	19, 23	42.0900466	73	42.0901555	57
09.71754	69	42.0900006	19, 23	42.0900468	37	42.0901556	57
09.71756	15	42.0900007	19, 23	42.0900484	33	42.0901557	57
09.72010	20, 23, 29	42.0900009	19	42.0900531	62	42.0901558	57
09.74125	62	42.0900013	37	42.0900532	62	42.0901559	59
09.74127	37, 61, 73	42.0900014	51	42.0900533	62	42.0901560	59
09.74145	73	42.0900019	19, 23	42.0900534	62	42.0901561	59
09.74149	73	42.0900020	19	42.0900535	62	42.0901562	59
09.74155	73	42.0900034.5	20	42.0900536	62	42.0901563	51
09.74157	73	42.0900035	20	42.0900537	62	42.0901564	51
09.74158	73	42.0900036	20	42.0900538	62	42.0901565	51
11.80534	55	42.0900037	20	42.0900541	39	42.0901566	51
12.10006	69	42.0900038	20	42.0900549	47	42.0901567	51
16.10818	49	42.0900040	39	42.0900554	29, 35	42.0901587	15
16.20144.5	20, 23	42.0900043	57	42.0900557	61	42.0901595	7
16.20165	49	42.0900044	59	42.0900558	37, 73	42.0901687	20
16.20177	51	42.0900045	20	42.0900559	55	42.0901688	23
16.20178	51	42.0900049	49	42.0900562	9	42.0901739	51
16.20179	51	42.0900052	49	42.0900567	19	42.0901767	27
16.20181	51	42.0900054	49	42.0900569	37	42.0901787	29
16.21179	24, 29, 61, 62	42.0900056	15	42.0900570	37	42.0901788	29
17.00650	20, 49	42.0900061	17	42.0900571	37	42.0901789	29
17.00750	33	42.0900062	17	42.0900575	37	42.0901790	17
17.00863	37	42.0900108	59	42.0900583	20	42.0901791	9
17.01155	51	42.0900112	59	42.0900586	7	42.0901792	9
18.00097	35	42.0900121	59	42.0900762	61	42.0901793	7
21.00300	61	42.0900122	59	42.0900820	51	42.0901796	20, 23
21.00340	61	42.0900123	59	42.0900821	51	42.0901800	24, 29, 61
21.00516	37	42.0900124	59	42.0900822	51	42.0901808	7, 53
21.00902	73	42.0900154	59	42.0900823	51	42.0901813	65
21.09024	51	42.0900156	57	42.0900830	73	42.0901825	7
21.09025	73	42.0900165	13	42.0900837	51	42.0901875	53
21.20917	49	42.0900174	15	42.0900987	27	42.0901876	53
21.22733	49	42.0900175	61	42.0901002	27	42.1010034	11
21.30727	39	42.0900176	61	42.0901003	27	42.1020001	7
22.00188	20, 23	42.0900177	61	42.0901009	27	42.1020018	7
303629B1	20, 23	42.0900181	13	42.0901011	23	42.1030014.8	61
32.01940	73	42.0900190	13	42.0901014	23	42.1030069	41
32.01956	37, 73	42.0900191	13	42.0901019	23, 27	42.1060036	43
32.02101	73	42.0900192	13	42.0901020	23	42.1060039	43
32.03077	73	42.0900240	61	42.0901022	23	42.1090008	45
32.03084	73	42.0900246	7	42.0901023	23	42.1090014	45
32.03085	73	42.0900247	61	42.0901034	27	42.1090026	45
32.60008	61	42.0900248	61	42.0901035	23	42.1120061	65
32.60704	37	42.0900349	7	42.0901037	23	42.1150171	11, 47
32.60755	61	42.0900371	7	42.0901101	53	42.1500005	75
32.61133	37	42.0900372	7	42.0901128	61	42.1500142	39
322848B1	37, 61	42.0900373	9	42.0901129	61	42.1500199	39
329594B2	57, 59	42.0900375.8	11	42.0901130	61	42.1500267	67
331639B2	57, 59	42.0900377	15	42.0901137	7	42.1500268	67
333532B2	51	42.0900380	7	42.0901176	73	42.1500269	67
340248B1	51	42.0900385	43	42.0901262	20	42.1500270	67
341077B1	20	42.0900395	61	42.0901263	20	42.1500272	67
40.00147	62	42.0900397	29, 43	42.0901271	20	42.1500273	67
40.00149	73	42.0900408	49	42.0901316	73	42.1500276	71
42.0901581	51	42.0900427	55	42.0901317	73	42.1500294	39
42.00000	67	42.0900434	35	42.0901319	73	42.1500329	13
42.0000041	57	42.0900441	33	42.0901320	73	42.1500338	53
42.0000042	59	42.0900442	75	42.0901393	23	42.1500344	71



Part Number Index (continued)

Part Number	Page	Part Number	Page	Part Number	Page	Part Number	Page
42.1500377	11	42.1540167	61	44.01604	53	904674	29
42.1500381	53	42.1540448	39	601312	20	904744	24
42.1500412	45	42.1540551	37, 61	65.10083	37	904763	33, 39
42.1500472	71	42.1540898	29	900143	35	904768	53
42.1500473	67	42.1541054	62	900188	19, 23	904863	49, 61
42.1500474	67	42.1541121	39	900369	15, 20, 23, 29	904871	20
42.1500475	67	42.1541342	73	900372	69	905011	49
42.1500483	15	42.1541519	24, 27	900445	29, 61	905050	11
42.1500523	67	42.1541757	61	900480	23	905354	19, 24
42.1500525	67	42.1541774	53	900493	19, 23, 29, 73	905401	41
42.1500534	67	42.1541780	24, 29, 61	900494	39, 55	905456	53
42.1500568	67	42.1542021	39	900495	30, 43	905501	15, 19, 24
42.1500686	61	42.1550136	11	900496	15, 19, 23	906243	20
42.1500875	57	42.1550172	7	900497	19	906339	15
42.1500893	67	42.1550228	11	900498	9, 19, 23	906349	7, 15
42.1501047	57	42.1560000	9	900499	15, 69	906385	53
42.1501048	57	42.1560001	9	900502	61	906392	39
42.1501207	67	42.1560004	9	900506	23	906400	9, 30, 43, 49, 73
42.1501208	67	42.1560005	45	900508	7	906401	7, 27, 30, 49
42.1501279	29, 35	42.1560006	45	900509	33	906402	7, 9, 19, 24, 33, 39, 43, 45
42.1501283	67	42.1570001	67	900512	27	906483	27
42.1501314	29	42.1590024	29	900537	19, 24, 27, 29	906492	19, 24
42.1501318	29	42.1590065	41	900538	73	906537	24
42.1501324	30, 77	42.1590066	41	900549	19, 24	906548	19, 24
42.1501331	67	42.4070028	15	900665	41	907057	61
42.1501348	39	42.6000127	17	900700	69	907060	20, 73
42.1501398	7	42.6000202	15	900703	29	907146	39
42.1501400	7	42.6002005	7	900709	19, 24, 29	907168	62
42.1501517	30	42.6002007	15	900972	20	907219	49, 51
42.1501518	15	42.6002008	7	901105	19, 24, 33, 55, 61, 75	907220	49, 51
42.1501519	19, 23, 30	42.6003013	41	901150	11	907225	51
42.1501611	19, 23, 30	42.6003014	41	901151	11	907232	37
42.1501621	71	42.6003018	41	901172	19, 24	907234	17, 65
42.1501628	71	42.6003021	7	901181	11	907270	17, 39, 65
42.1501630	71	42.6003024	7	901182	11	907311	49
42.1501636	57	42.6003025	7	901292	35, 41	907312	49
42.1501637	59	42.6006005	9	901619	33	907348	49, 62
42.1501638	59	42.6006012	9	901633	33	907389	17, 20, 39, 65
42.1501691	43	42.6006037	9	901763	20	907391	9
42.1501790	59	42.6006063	45	901850	27	907392	24
42.1501853	57	42.6006074	9	901937	24, 30, 61	907399	19, 39, 61, 65
42.1501858	57	42.6006075	9	902193	69	907400	20
42.1501920	71	42.6006077	9	902300	19, 24, 29, 35, 61	907465	9
42.1501921	71	42.6006079	9	902364	19, 24, 29	907467	9
42.1501922	71	42.6006081	9	902367	19, 24, 29, 33, 43, 55, 61	907472	27
42.1501991	71	42.6006085	9	902410	11	907510	51
42.1502070	71	42.6006086	9	902831	49, 75	907554	61
42.1502166	15, 19, 23	42.6006087	9	902884	29, 43	907613	39
42.1510020	29	42.6006088	9	903033	19, 24, 29	907614	17, 37, 62
42.1510044	7	42.6006089	9	903096	53	907625	55
42.1510047	7	42.6006113	9	903306	7, 19, 24, 30, 39, 49, 61, 65	907669	61
42.1510059	53	42.6006114	9	903376	37, 62, 77	907673	69
42.1510060	53	42.6008003	30	903437	35, 55	907688	15
42.1510199	53	42.6008004.9	29	903518	7	907689	9
42.1510215	53	42.6008011	29, 61	903690	27	907695	39
42.1520005	15	42.6008018	29	903824	19, 24	907725	15
42.1520068	15	42.6008020	19, 23, 29	903832	7, 9	907757	11
42.1520073	65	42.6008021	19, 23, 29	903848	29, 65	907768	49
42.1520086	15	42.6008027.9	29	903849	43	907774	62
42.1520124	15	42.6008052	19, 23, 29	904092	30, 49, 73	907775	37
42.1520316	53	42.6008058	30	904214	62	907777	15
42.1520318	29	42.6008072	19, 30	904215	7	907779	19, 24, 33, 39, 61, 65, 75
42.1520664	15	42.6008073	19, 30	904217	45	907884	19, 24, 39
42.1520749	57	42.6008075	30	904246	33	907896	53
42.1520757	15	42.6008077	19, 23	904253	7	907912	73
42.1520759	65	42.6008088	20, 29	904324	27	908187	49
42.1520760	65	42.6008089	20	904336	55	908188	49
42.1520761	65	42.6008092	29	904464	55	908333	24, 27
42.1520773	20, 29, 30	42.6008093	29	904520	20, 29	908416	77
42.1520774	53	42.6008104	19	904635	69	NSS	23, 57, 59
42.1530028	51	42.6012005	65				
42.1530054	51	42.6012011	17				
42.1530065	51	42.6012018	17				



Part Description Index

The Part Description Index is an alphabetical index of all part descriptions included in this manual. The index shows what page(s) the part is used on.

A

Adapter (For Bearing With Thread).....24, 27
Adapter, -08 ORB x 1/2 in. JIC Swivel.....73
Adapter, -08 ORB x 1/2 in. Male JIC.....73
Adapter, -10 ORB x 1/2 in. Male JIC.....73
Adapter, -12 ORB x 1/2 in. Male JIC.....73
Adapter, -12 ORB x 3/4 in. JIC Swivel.....73
Adapter, -12 ORB x 3/4 in. Male JIC.....73
Adapter, 1/2 MPT x 10 JIC.....61
Adapter, 12 ORB x 3/4 in. JIC Swivel.....37
Adapter, 12 ORB x 3/4 in. MJIC.....37
Adapter, 12 ORB x 3/4 MJIC.....61
Adapter, 12 ORB x 7/8 in. MJIC.....37
Adapter, 12 ORB x 7/8 MJIC.....61
Adapter, Swivel.....30
Adaptor - # 6MO x # 4MP.....39
Adaptor, #2 MP x #2 FPS.....19, 23
Adjuster, Bearing LH.....20
Adjuster, Bearing RH.....20
Adjuster, Chain.....23
Angle, Gandy Base Mount.....75
Angle, Slide Frame Clamp (G6060 & PB6000 Only).....30
Apron, Short, 16 Slat.....19, 23

B

Backstop, 10 Ft - G6070 & G6070P Only....45
Backstop, 8-9 Ft - G6060 & PB6000 Only....45
Bar, Adjustable Chain Tensioner.....15
Bar, Backup Gandy Base Mount.....75
Bar, Light Tube Cover.....49
Base, Filter.....61
Bearing Cone, 2.750 TK #33275.....53
Bearing Cone, TK #5565.....53
Bearing Cone, TK #HM807044.....53
Bearing Cup, 4.125 TK #HM807010.....53
Bearing Cup, 4.6250 TK #33462.....53
Bearing Cup, TK #5535.....53
Bearing, 1 in. - 2 Bolt Flange.....29
Bearing, 2 Bolt Flange (G6060 & PB6000 Only).....29
Bearing, 2 Bolt Flange 1-1/4 in.....20
Bearing, 2 Bolt Flange, 1-1/4 in.....20
Bearing, 4 Bolt Flange.....7
Bearing, Drive, 2-15/16 in. 4 Bolt Footed.....7
Bearing, Drive, 3-7/16 in. Spherical 4 Bolt Footed - (S/N 42.05168 & After).....7
Bearing, Gandy.....71
Bearing, R-Liube, 1-1/4 in. 2 Bolt.....23
Bearing, R-Lube, 1-1/4 in. 2 Bolt.....27
Bearing, Split Babbit.....7
Bird Netting, 30 x 100 Ft - Not Shown.....67
Bird Netting, 30 x 375 Ft - Not Shown.....67
Bird Netting, 30 x 500 Ft - Not Shown.....67
Bolt Bag, Tunnel Extension (Consists Of Items: 8, 16 & 17).....9
Bolt Bag, Tunnel Hardware (Consists Of Items: 3 thru 6).....9
Bolt, Button Hd, 1/4-20 x 1-1/2 in. Stainless Steel.....17, 37

Bolt, Button Hd. 3/8-16 x 1 in. Stainless Steel.....9
Bolt, Button Head, 1/4-20 x 1-1/2 in. Stainless Steel.....62
Bolt, Carriage, 1/2-13 x 1-1/2 in. Gr 5 Short Neck.....24, 27
Bolt, Carriage, 1/2-13 x 2 in. Gr 5.....24
Bolt, Carriage, 1/2-13 x 5 in. Gr 5.....24
Bolt, Carriage, 3/8-16 x 1 in.....23
Bolt, Carriage, 3/8-16 x 1-1/2 in.....55
Bolt, Carriage, 3/8-16 x 3/4 in. Gr 5 Yellow Zinc.....19, 24
Bolt, Carriage, 5/16-18 x 1 in. Gr 5.....27
Bolt, Carriage, Short Neck, 5/8-11 x 2-1/2 in. Gr 5.....19, 24
Bolt, Hex Washer Hd, 3/8-16 x 3/4 in. Gr 5.....20, 23
Bolt, Hex, 1/2-13 x 1-1/2 in. Gr 5.....7, 19, 24, 49, 61
Bolt, Hex, 1/2-13 x 1-3/4 in. Gr 5.....7
Bolt, Hex, 1/2-13 x 6 in. Gr 5 Full Thread.....20
Bolt, Hex, 1/4-20 x 1 in. Gr 5 Yellow Zinc...19, 24
Bolt, Hex, 1/4-20 x 1-3/4 in. Gr 5.....20, 73
Bolt, Hex, 1/4-20 x 1/2 in. Gr 5.....49
Bolt, Hex, 1/4-20 x 3/4 in. Gr 5.....49, 61
Bolt, Hex, 1/4-20 x 3/4 in. Stainless Steel - G6060 & PB6000 Only.....17
Bolt, Hex, 1/4-20 x 3/4 in. Stainless Steel - G6070 & G6070P Only.....17
Bolt, Hex, 1/4-20 x 5/8 in. Gr 5.....19, 24
Bolt, Hex, 3/4-10 x 2-1/4 in. Gr 5.....69
Bolt, Hex, 3/4-10 x 3 in. Gr 5.....15
Bolt, Hex, 3/4-10 x 3-1/2 in. Gr 5.....7
Bolt, Hex, 3/4-10 x 5-3/4 in.....15
Bolt, Hex, 3/8-16 x 1 in. Gr 5 Yellow Zinc...19, 24, 61
Bolt, Hex, 3/8-16 x 1 in. Yellow Zinc.....35
Bolt, Hex, 3/8-16 x 1-1/4 in. Gr 5...19, 24, 33, 43, 55, 61
Bolt, Hex, 3/8-16 x 2 in. Gr 5.....33
Bolt, Hex, 3/8-16 x 2-1/2 in. Gr 5.....43
Bolt, Hex, 3/8-16 x 3 in. Gr 5.....49, 75
Bolt, Hex, 3/8-16 x 3-1/2 in. Gr 5.....62
Bolt, Hex, 3/8-16 x 3/4 in. Gr 5.....19, 24
Bolt, Hex, 3/8-16 x 4 in. Stainless Steel.....9
Bolt, Hex, 5/16-18 x 1-1/4 in. Gr 5 Yellow Zinc.....55
Bolt, Hex, 5/16-18 x 3/4 in. Gr 5 Special.....15
Bolt, Hex, 5/8-11 x 1-1/2 in. Gr 5.....33
Bolt, Hex, 5/8-11 x 2 in. Gr 5.....7
Bolt, Hex, 5/8-11 x 2-1/2 in. Gr 5.....7, 9
Bolt, Hex, 5/8-11 x 3 in. Gr 5.....43
Bolt, Hex, 5/8-11 x 3-1/2 in. Gr 5.....69
Bolt, Hex, 5/8-11 x 5 in. Gr 5.....45
Bolt, Hex, 7/16 in. x 1-1/2 in. Gr 5.....20
Bolt, Hex, 7/16 in. x 1-3/4 in. Gr 5.....20
Bolt, Hex, 7/16-14 x 1-1/4 in. Gr 5.....20
Bolt, M12 x 55mm CL8.8.....59
Bolt, SHCS, 1/2-13 x 2-1/4 in. Gr 8.....53
Bolt, SHCS, 3/8-16 x 2-1/4 in.....53
Bottom/Slide, 4 Hole Straight, Jumbo.....71
Bracket, Bearing Bolts.....23
Bracket, Conveyor Nose Cone.....19

Bracket, Skirting - Small (G6060 & PB6000 Only).....29
Bracket, w/Bolts, Adjuster.....23
Brake - Mico.....39
Brake Kit, Repair MICO.....39
Brake Pad.....39
Btindhblt, 1/4-20 x 3/4 Stainless Steel.....39
Bulb, #1157.....49
Bungee Cord, Bag Pan.....9
Bungee Cord, Tunnel.....9
Bushing, 1/2 NPT To 1/8 NPT.....53
Bushing, Machine, 1/2 in. x 14 Ga.....33

C

Cable Drum, Brake Side, 6 Ft Rotor.....7
Cable Drum, Non Brake Side, 6 Ft Rotor.....7
Cable, 1/4 in. x 17 Ft. (G6060 & PB6000 Only).....29
Cable, 1/4 x 30 Ft, w/Hook.....43
Cable, 7/16 x 195 Ft. G6060 Only.....41
Cable, 7/16 x 245 Ft. - G6070 & G6070P Only.....41
Cable, Conveyor Lift, 1/4 in. x 17 Ft.....35
Cap, Breather.....61
Cap, Dust.....11
Cap, Rotor Tooth, Weld On.....7
Capscrew, Hex Hd. 1/2-13 x 1-1/2 in. Gr 5.....30
Capscrew, Hex Hd. 1/2-13 x 6 in.....29
Capscrew, Hex Hd. 1/4-20 x 1 in. Gr 5.....29
Capscrew, Hex Hd. 3/8-16 x 1 in. Gr 5.....29
Capscrew, Hex Hd. 3/8-16 x 1-1/2 in. Gr 5.....29
Capscrew, Hex Hd. 3/8-16 x 1-1/4 in. Gr 5.....29
Capscrew, Hex Hd. 3/8-16 x 2-1/2 in. Gr 5.....29
Capscrew, Hex Hd. 5/16-18 x 3/4 in. Gr 5.....29
CARDANTube.....59
Chain - 50 Riveted 66 P 41 in. Oal Ust.....65
Chain, #40-2, 16 Pitches w/ Connector.....20, 23
Chain, Conveyor Complete (G6060 & PB6000 Only).....29
Chain, Conveyor, Long w/Weld On Flight....23
Chain, Long w/Weld On Flight.....19
Chain, Roller, #120-2 59P - G6060 & PB6000 Only.....15
Chain, Roller, #120-2, 7.875 Ft, 63 P, UST - G6070 Only.....15
Chain, Roller, #50, 114 Pitches.....19, 23
Chain, Safety.....69
Check Valve.....73
Clamp - 1.25 Id Vinyl Coated.....39
Clamp - Hose .625 Id Dbl.....39
Clamp, 1-1/2 in. Vinyl.....61
Clamp, Cable (G6060 & PB6000 Only).....29
Clamp, Cable, 1/4 in.....35
Clamp, Hose, .625 in. I.D. Double.....73
Clamp, Single, .63 ID.....49
Clamp, Single, .63 in. ID.....20
Clamp, Vinyl, .38 Dia.....49
Clean Out Door w/Decals.....27



Part Description Index (continued)

Clevis.....69
Clip, Hydraulic Line.....37, 61
Complete Shield Kit.....57, 59
Cone, Roller Bearing, 1-1/4 in.....11
Cone, Roller Bearing, 1-5/8 in.....11
Conn, Male 3/8 JIC x 1/4 NPT.....39
Connector, 06 MJIC x 10 ORB.....62
Connector, 37° ORB 7/8-14.....62
Connector, Male, 3/8 in. JIC x 1/4 in. NPT...37
Connector, Male, 3/8 JIC x 1/2 NPT.....62
Connector, Male, JIC - NPT, 3/8 in. x 3/8 in.....37
Conveyor Adjuster End Weldment.....20
Conveyor Complete (Used On G6060 & PB6000 Only).....30
Conveyor End, Adjusting w/Decals (G6060 & PB6000 Only).....29
Conveyor Lower Assembly - Not Serviced Separately Refer to Lower Assembly Split Conveyor Page for Parts Breakdown.....23
Conveyor Roller, 1.250 in. Bore.....27
Conveyor, Frame w/Decals (G6060 & PB6000 Only).....29
Cotter Pin, Stainless Steel Hair Pin.....27
Coupler, Conveyor Motor (G6060 & PB6000 Only).....29
Coupler, Quik, 3/4-16 ORB Female.....73
Coupler, Quik, Male, -08 ORB.....73
Coupling, Cable Drum.....7
Coupling, Cable Rewind.....61
Cover - Cable Drum Brake.....39
Cover, Drive Chain.....23
Cradle, Bag Boom, 10' - G6070 & G6070P Only.....9
Cradle, Bag Boom, 8' & 9' - G6060 & PB6000 Only.....9
Cradle, Bag Boom, 9' - G6070 & G6070P Only.....9
Cross Kit, #6, 30.2 x 91.4.....57
Cross Kit, #8, 35 x 106.....59
Cup, Bearing, Inner.....11
Cup, Bearing, Outer.....11
Cylinder, Hydraulic, 2 in. x 28 in. x 1-1/8 in.....37
Cylinder, Hydraulic, 3 x 18 in.....73

D

Danger Label, Outer Drive Tube.....57, 59
Danger/Shield Label.....57, 59
Decal, 75W-90 Syn Oil.....51
Decal, Ag-Bag Logo, 7 x 19 in.....51
Decal, ag-bag.com, 1.75 x 20 in.....51
Decal, Ag-Bagger, 4 x 42 in.....51
Decal, Conveyor End Lift.....73
Decal, Conveyor Raise/Lower.....37
Decal, Conveyor/Cable Rewind.....51
Decal, G6060 (G6060).....51
Decal, G6070 (G6070 & G6070P).....51
Decal, Grease.....51
Decal, Grease Rotor Bearing.....51
Decal, Hitch End Lift.....73
Decal, Important, Cable Guide Removal.....51
Decal, Important, Lug Nuts.....51
Decal, Notice, Hydraulic Oil Only.....51
Decal, Notice, Tractor Neutral.....51
Decal, Oil Chain.....51

Decal, Pinch Point.....73
Decal, Red Retroreflective 2 x 9 in.....49
Decal, Red Retroreflective, 2 x 9 in.....51
Decal, SMV Emblem.....51
Decal, Yellow Retroreflective 2 x 9 in.....49
Decal, Yellow Retroreflective, 2 x 9 in.....51
Deflector Weldment, Adjustment End.....27
Deflector, 2 Stage Conveyor G6070 & G6070P.....20
Deflector, 2 Stage Conveyor w/Decal.....23
Deflector, 2 Stage Conveyor w/Decals G6060.....20
Dipstick Complete Assembly.....65
Door Assembly, Conveyor with Hooks.....30
Drum, Cable, w/Brake Flange, 7 Ft Rotor - 6070 Only.....7
Dust Cap, 1/2 in.....73
Dust Plug, 1/2 in.....73

E

Elbow - 45 Street # 4MP x # 4FP.....39
Elbow, -08 ORB x 1/2 in. Male JIC.....73
Elbow, -12 ORB x -08 Male JIC.....73
Elbow, 1/2 in. NPT x 1/2 in. Male JIC.....73
Elbow, 1/2 MPT x 3/4 MJIC.....61
Elbow, 90° #6 ORB x #6 NPT.....37
Elbow, 90° 10 MJIC x FJIC.....37
Elbow, 90° 10 ORB x 6 MJIC.....37
Elbow, 90° 37° Flare, 3/4.....62
Elbow, 90°, 1/2 in. JIC Swivel.....73

F

Filter, Hydraulic, P551553.....61
Fitting, Grease (G6060 & PB6000 Only).....29
Fitting, Grease, 1/8 PTF.....24
Fitting, grease, 1/8 PTF.....19
Fitting, Grease, 1/8-PTF.....27
Fitting, Hose End Swivel (Use With Grease Lines).....30
Flexible Roll Pin, #6/7 Inner, 10 x 65mm.....57
Flexible Roll Pin, #6/7 Outer, 10 x 75mm.....57
Flexible Roll Pin, #8/9 Inner, 12 x 75mm.....59
Flexible Roll Pin, #8/9 Outer, 12 x 90mm.....59
Frame Weldment - (S/N 42.05167 & Before).....7
Frame Weldment - (S/N 42.05168 & After).....7
Frame, Bag Boom, 8-10 Ft.....43
Frame, Conveyor Slide.....33

G

Gandy, 45# 4H Dry Inoculant Applicator.....75
Gasket, Bearing Retainer, Gandy.....71
Gasket, Pump Flange.....61
Gasket, Top Access Plate.....61
Gauge - Liquid Sill 2000 PSI Sm.....39
Gear.....53
Gearbox, Complete.....53
Gearbox, Dual Output - Aluminum.....7
Grease Fitting, 1/4-28.....73
Grease Fitting, M6 x 1 Straight (Not Serviced Separately).....57, 59
Grease Line - 3/16 in. x 20.5 in. (Used On G6070 Only).....30
Grease Line - 3/16 in. x 40 in. (Used On G6060 & PB6000 Only).....30

Grease Zerk, 1/8 in. NPT Female.....19
Grease Zerk, 1/8 NPT Female.....24
Guard, Conveyor Idle Shaft.....20
Guard, Conveyor Tail Shaft (G6060 & PB6000 Only).....29
Guard, Rotor Chain - G6060 & PB6000 Only.....15
Guard, Rotor Chain - G6070 Only.....15
Guide, Cable Rewind, Left.....41
Guide, Cable Rewind, Right.....41
Guide, Chain Conveyor - Left (G6060 & PB6000 Only) Not Shown.....30
Guide, Chain Conveyor - Right (G6060 & PB6000 Only) Not Shown.....30
Guide, Conveyor Chain, Top LH.....19
Guide, Conveyor Chain, Top RH.....19

H

Half Shaft, Cleared (Not Serviced Separately).....57, 59
Half Shaft, Uncleared (Not Serviced Separately).....57, 59
Half Shield Kit (Not Serviced Separately)..57, 59
Handle Kit.....61
Harness, Lights (Includes Item 28).....49
Harness, Lights, Wishbone.....49
Hhdbl G 5 1/2-13 x 1.50.....39, 65
Hhdbl - 3/8-16 x 1-1/2.....65
Hhdbl - G5 5/16-18 x 3/4 Spec.....39
Hhdbl - G5 5/8-11 x 8.....39
Hhdbl, Stainless Steel 1/4-20 x 3/4.....39, 65
Hhdnut - Lock 1/4 Whiz.....77
Hhdnut - Nyloc Flang 1/4-20 Yellow Zinc.....39
Hhdnut - Nylon Lk 1/2-13 Flange.....39, 65
Hhdnut - Nylon Lk Flng 3/8-16 Yellow Zinc.....39, 65
Hhdnut, 1/4-20 Stainless Steel Nylock.....39, 65
Hhdnut, 5/8-11 Nylock.....39
Hinge, Beater Shield.....20, 23
Hitch, Field, 8-9 Ft w/Decals.....7
Hold Down, Conveyor.....33
Hold Down, Conveyor Chain.....19
Hold Down, Conveyor Chain, Long.....23
Hold Down, Conveyor Chain, Short.....23
Holder, Plug Storage.....49
Hook, Cover (Rubber).....20
Hose - Brake 3/8 x 97.....39
Hose, Grease, 3/16 in. x 32 in.....19, 23
Hose, Grease, 3/16 in. x 40 in.....19, 23
Hose, Grease, 3/16 in. x 47 in.....19, 23
Hose, Hydraulic, 1/4 in. x 26.5 in. 6 x 6 FJIC.....37
Hose, Hydraulic, 3/8 in. x 42 in. 6 FJIC 45° x 6 FJIC.....37
Hose, Hydraulic, 3/8 in. x 72 in. 6 FJIC 90° x 6 FJIC.....37
Hose, Hydraulic, 3/8 NPT x 22 in. 2WB - 1.000.....61
Hose, Hydraulic, 3/8 x 144 in.....73
Hose, Hydraulic, 3/8 x 150 in.....73
Hose, Hydraulic, 3/8 x 152 in. (Cable Rewind Motor Return to Filter).....62
Hose, Hydraulic, 3/8 x 155 in. (Valve Pressure to Cable Rewind Motor).....62



Part Description Index (continued)

Hose, Hydraulic, 3/8 x 24 in.....73
 Hose, Hydraulic, 5/8 x 19 in. (Valve Return to Filter).....62
 Hose, Hydraulic, 5/8 x 25 in. (Main Tank Pressure to Valve).....62
 Hose, Hydraulic, 5/8 x 52 in. (Valve Pressure to Conveyor Motor).....62
 Hose, Hydraulic, 5/8 x 57 in. (Conveyor Motor Return to Filter).....62
 Hose, Return, 3/4 x 34 in. (Upper Auxiliary Tank to Main Tank).....62
 Hose, Return, 3/4 x 43 in. (Filter to Lower Auxiliary Tank).....62
 Housing, R700 TAP Improved.....53
 Housing, R700 THRU Improved.....53
 Hub Assembly With Cups & Studs.....11

I

I.Cone, Shield Cone, #5-6-7 Inner (Not Serviced Separately).....57
 I.Cone, Shield Cone, #8-9 Inner (Not Serviced Separately).....59
 Individual Cartridge (Included with Item 1)..73
 Inoculant, Granular, 50 lb Bucket (Treats 100 Ton).....67
 Inoculant, Liquid 250 Ton Foil Pouch For Inject. Sprayer.....67
 Inoculant, Liquid 50 Ton Foil Pouch.....67
 Instruction Booklet (Not Serviced).....57, 59

J

Jack Base, Hydraulic Lift.....73
 Jack, Manual, 15 in. Square Mount.....7

K

Key Sq - 3/8 x 2 in.....65
 Key, 5/8 x 5/8 x 1.845.....53
 Key, 5/8 x 5/8 x 2-3/4 in.....15
 Key, Shaft (Hydraulic Motor).....24, 29, 61
 Key, Sq, 3/4 x 3/4 x 4 in. - (G6060 S/N 42.05167 & Before) & PB6000 Only.....15
 Key, Sq, 7/8 x 7/8 x 4 in. - G6070 & (G6060 S/N 42.05168 & After).....15
 Key, Square, 1/4 in. x 1-3/4 in.....19, 24
 Key, Square, 1/4 in. x 2 in.....19, 24
 Key, Square, 3/8 in. x 3 in. Undersize.....7
 Kit, Ball Collar, 1-3/8 in. #6.....57
 Kit, Ball Collar, 1-3/8 in. #8.....59
 Kit, Bungee Cord (Consists Of Items 11a & 11b).....9
 Kit, Hydraulic Conveyor Lift (Consists Of Items 1 & 2 thru 20).....37
 Kit, PTO Transport (Includes Items 1 thru 10).....55
 Kit, RT Ball Collar S5/S9, 1-3/4 in.....57, 59
 Knob.....61
 Koster Moisture Tester - Not Shown.....67

L

Latch.....19, 24
 Lens, Amber (Command).....49
 Lens, Amber (Wesbar).....49
 Lens, Red (Command).....49
 Lens, Red (Wesbar).....49

Light Stand Weldment.....49
 Light Tube Weldment, Left Side.....49
 Light Tube Weldment, Right Side.....49
 Light, Dual Lamp, Amber/Red, Left Side.....49
 Light, Dual Lamp, Amber/Red, Right Side.....49
 Link - #50 Connector Ust.....65
 Link, #120-2 Connector UST.....15
 Link, #CA550 Offset.....19, 24
 Link, CA550 Connector.....29
 Link, CA550 Offset.....29
 Link, Offset, #120-2.....15
 Liquid Inoculant Applicator, 15 Gallon Sprayer - Not Shown.....67
 Liquid Inoculant Applicator, 27 Gallon Sprayer - Not Shown.....67
 Liquid Inoculant Applicator, 55 Gallon Sprayer - Not Shown.....67
 Lock, PTO Cradle.....55
 Lug Nut, 9/16-18.....11

M

Machine Bushing, 1-1/4 in.....27
 Master Seal Zip Tool.....67
 Master Seal, 14.5 ft Lengths 4/Box For 8 & 9 ft Bags.....67
 Master Seal, 17 ft Lengths 4/Box For 10 ft Bags.....67
 Master Seal, 20 ft Lengths 4/Box For 11 & 12 ft Bags.....67
 Master Seal, 250 Ft Roll.....67
 Master Seal, 9.5 ft Lengths 4/Box.....67
 Motor, Electric, w/Brackets & Harness.....71
 Motor, Hydraulic, 101-1019-009, 5.9 cu. in. (PB6000 Only).....29
 Motor, Hydraulic, 101-1751-009, 7.3 cu. in. (G6060 & G6070 Only).....29
 Motor, Hydraulic, Charlyn 101-1272.....62
 Motor, Hydraulic, Conveyor.....24, 61
 Mount, (Weld On), Jack, Female Square Tubing.....7
 Mount, Bracket, Drive Motor.....23
 Mount, Hydraulic Motor.....19
 Mount, Hydraulic Motor (G6060 & PB6000 Only).....29
 Mount, Hydraulic Motor, 101 Series.....61

N

Nut, Hex Center Lock, 7/16-14.....20
 Nut, Hex Flange Lock, 1/2-13 Nylock.....19
 Nut, Hex Flange Lock, 1/4-20 Nylock Yellow Zinc.....19, 24
 Nut, Hex Flange Lock, 3/8-16 Nylock Yellow Zinc.....19, 24
 Nut, Hex Lock Flange, 3/8-16 Yellow Zinc Nylock.....75
 Nut, Hex Lock, 1/2-13.....30
 Nut, Hex Lock, 1/2-13 Nylock.....7, 27, 49
 Nut, Hex Lock, 1/2-13 Nylock Stainless Steel.....24
 Nut, Hex Lock, 1/4-20.....30
 Nut, Hex Lock, 1/4-20 Nylock.....49, 73
 Nut, Hex Lock, 1/4-20 Nylock Stainless Steel.....20
 Nut, Hex Lock, 1/4-20 Nylock Stainless Steel - G6060 & PB6000.....17

Nut, Hex Lock, 1/4-20 Nylock Stainless Steel - G6070 & G6070P.....17
 Nut, Hex Lock, 1/4-20 Whizlock.....62
 Nut, Hex Lock, 3/4-10 Nylock.....7, 15
 Nut, Hex Lock, 3/8-16.....30
 Nut, Hex Lock, 3/8-16 Nylock.....9, 43, 49, 73
 Nut, Hex Lock, 3/8-16 Nylock Stainless Steel.....9
 Nut, Hex Lock, 5/16-18 Nylock.....27
 Nut, Hex Lock, 5/8-11 Nylock.....7, 9, 19, 24, 33, 43, 45
 Nut, Hex Lock, Nylon Flange, 5/16-18 Blk Zinc.....55
 Nut, Hex Nylon Flange Lock, 1/2-13.....61
 Nut, Hex Nylon Flange Lock, 3/8-16 Yellow Zinc.....33, 61
 Nut, Hex Top Lock, 5/8-11.....69
 Nut, Hex Whiz Lock, 1/4-20.....37
 Nut, Hex Whiz Lock, 3/8-16.....35, 55
 Nut, Hex, 1/2-13.....15, 20, 23, 29
 Nut, Hex, 3/4-10.....69
 Nut, Jam 1/2-13.....20
 Nut, Slotted Lock, NO6 Zinc Plated.....11

O

O-Ring, Rubber, Gandy.....71
 O-Ring, SAE -8 (.64 I.D.).....73
 O.Cone, Shield Cone, #8-9 Outer Std.....59
 Oil Seal, 2.25 I.D.....11
 Orifice, -6 Two Way, .049 in. Dia.....37
 Orifice, -8 ORB One Way, .059 in.....73

P

Pan, Bag G6060 & PB6000.....9
 Pan, Bag G6070 & G6070P Only.....9
 Panel, Hopper Extension, Front 6 Ft w/Decals - G6060 & PB6000 Only.....17
 Panel, Hopper Extension, Front 7 Ft - G6070 & G6070P Only.....17
 Panel, Hopper Extension, Right Side.....17
 Panel, Sloped, Hopper 6 Ft - G6060 & PB6000 Only.....17
 Panel, Sloped, Hopper 7 Ft - G6070 & G6070P Only.....17
 Pin, Cam Lever.....33
 Pin, Clevis, 5/8 in. x 1-1/2 in. Zinc.....35
 Pin, Conveyor Door Latch.....27
 Pin, Cotter, 5/32 in. x 1-1/4 in. Stainless Steel.....35
 Pin, Cotter, 5/32 x 1-1/4 in. Stainless Steel.....41
 Pin, Hair.....7
 Pin, Hair, 5/32 x 2-15/16 in. Zinc.....47
 Pin, Hair, 5/32 x 2-15/16 in. Zinc Plated.....11
 Pin, Hitch.....7
 Pin, Hitch, .625 Dia x 4 in.....11
 Pin, Hitch, .625 x 4 in.....47
 Pin, Lock, 3/8 x 3 in.....49
 Pin, Roll, 3/8 in. x 2 in.....20, 23
 Pin, Roll, 3/8 in. x 2 in. (G6060 & PB6000 Only).....29
 Pin, Spring, 5/16 in. x 3 in.....27
 Pin, Spring, 5/32 in. x 1-1/4 in.....33
 Pinion Gear.....53
 Plate, Bearing Mount.....20, 23



Part Description Index (continued)

Plate, Bearing Mount Welded.....20
 Plate, Conveyor End Deflector w/Decals.....29
 Plate, Face, 86 in.....17
 Plate, Valve & Brake Pump Mount.....73
 Plug, 08 ORB.....62
 Plug, 1/2-14 NPT, Socket Head.....53
 Plug, Light Cord (Included In Item 27).....49
 Plug, Oil Drain.....61
 Plug, Vent, 1/8-27 NPT, 5 psi.....53
 PO Check Valve, Double -8 ORB.....73
 Polyethelene, High Density (Used On G6060 & PB6000 Only).....30
 PTO Cradle, Bolt On w/ Trim.....55
 PTO Shaft, Complete.....57, 59
 Pulley (G6060 & PB6000 Only).....29
 Pulley, 2-1/2 in. OD x 1/4 in. Cable x 5/8 in. ID.....35
 Pulley, Bag Boom, 3 in. UHMW.....43
 Pulley, Swivel (G6060 & PB6000 Only).....29
 Pump - Hand 17ci 2000 PSI.....39
 Pump Kit w/Relief Valves & Gasket (Includes Items 4c & 4d).....61

R

Relief cartridge.....61
 Relief Valves (1 set).....61
 Repair Tape, 2 in. x 36 Yard Roll - Not Shown.....67
 Repair Tape, 3 in. x 36 Yard Roll - Not Shown.....67
 Repair Tape, 4 in. x 36 Yard Roll - Not Shown.....67
 Reservoir, Tubular - G6060 Only (Optional).....61
 Reservoir, Tubular - G6070 Only.....61
 Retainer, Bearing.....71
 Retaining Ring, External, 1.938.....53
 Rod, Cable Rewind - G6060.....41
 Rod, Cable Rewind, 1 x 29 in. Zinc - G6070 & G6070P Only.....41
 Rod, Chain Tensioner.....15
 Rope, Backstop, 3/8 x 300 Ft (8-9 Ft Backstop).....45
 Rope, Backstop, 3/8 x 400 Ft (10 Ft Backstop).....45
 Rotor + Four Teeth & Caps - 2-15/16 in. Shaft (Weld Req'd) (S/N 42.05167 & Before).....7
 Rotor + Four Teeth 3-7/16 in. Shaft - (Weld Req'd) (S/N 42.05168 & After).....7
 Rotor, Gandy, Jumbo 10 in. Rubber.....71
 Rubber Latch, 3 in. (G6060 & PB6000 Only).....29
 Rubber Latch, 5 in. (G6060 & PB6000 Only).....29

S

Safety Sign, Caution 540 RPM (G6060 & G6070).....51
 Safety Sign, Danger, Conveyor Entanglement.....51
 Safety Sign, Danger, Rotating Drive Line.....51
 Safety Sign, Danger, Rotor Entanglement.....51
 Safety Sign, Warning Cable Entanglement.....51
 Safety Sign, Warning, Before Operating.....51

Safety Sign, Warning, Foot Crushing.....51
 Safety Sign, Warning, High Pressure Oil.....51
 Safety Sign, Warning, No Step.....51
 Safety Sign, Warning, Rotating Parts.....51
 Safety Sign, Warning, Shield Is Off.....51
 Safety Tube (Not Serviced Separately).....57, 59
 Screw, Hex Hd, 1/4-20 x 3/4 in. Stainless Steel, Thread Cutting.....49
 Screw, Hex Hd, 1/4-20 x 3/4 in. Thread Cutting Stainless Steel.....62
 Screw, Set, 3/8-16 x 1/2 in.....61
 Screw: Fshcs, 1/4-20 x 3/4 Yellow Zinc.....77
 Screws, Bolt-Nut M10 x 50mm CL8.8.....57
 Seal Kit.....24, 61
 Seal Kit, H-Series (For Item 17).....29
 Seal Kit, Hydraulic Cylinder.....37
 Seal Kit, Hydraulic Motor.....61, 62
 Seal, 1.937 - 2.623 x .312 Viton.....53
 Seal, 2.750 - 3.500 x .375 Viton.....53
 Setscrew, 3/4-10 x 3/4 in.....15
 Setscrew, 5/8-11 x 5/8 in.....15
 Setscrew, Hex Socket, 3/8-16 x 1/2 in. (G6060 & PB6000 Only).....29
 Shaft, 1-1/4 in. x 21 in. Drive.....20
 Shaft, 1-1/4 in. x 34-1/2 in.....20
 Shaft, 1-1/4 in. x 34-3/4 in.....27
 Shaft, 1-1/4 in. x 36-1/2 in. Drive.....20
 Shaft, 1.25 in., LH.....23
 Shaft, Conveyor Drive (G6060 & PB6000 Only).....29
 Shaft, Conveyor Idle (G6060 & PB6000 Only).....29
 Shaft, Cross R700.....53
 Shaft, RH Drive.....23
 Sheet: Polyethylene - Hd 1/8 x 29-7/8 x .96.....77
 Shield.....20
 Shield - Grbx Pto.....65
 Shield - Rear Pump Drive.....65
 Shield Support, #6-7 Inner 6G602.....57
 Shield Support, #6-7 Outer 6G502.....57
 Shield Support, #8-9-10 Inner 8G602.....59
 Shield Support, #8-9-10 Outer 8G502.....59
 Shield, Motor.....19, 23
 Skirt, Conveyor (G6060 & PB6000 Only).....29
 Skirt, Conveyor, 20 in. x 60 in.....19, 23
 Slat, Conveyor Chain (G6060 & PB6000 Only).....29
 Sling, Backstop Cable, 7/16 x 35 in.....45
 Spacer, Bag Boom, Bronz, 2-15/16 in.....43
 Spindle, Single, 2-1/4 x 14-7/8 in. Std.....11
 Spray Adhesive - Not Shown.....67
 Spring, Compression.....33
 Spring, Extension.....15
 Sprocket.....71
 Sprocket 50b14f 1.....65
 Sprocket 50b48f 1_3/4.....65
 Sprocket, 120-2A11, 2-7/16 in. Bore, 5/8 in. Keyway.....15
 Sprocket, 120-2B42, 2-15/16 in. Bore, 3/4 in. Key - (G6060 S/N 42.05167 & Before) & PB6000 Only.....15
 Sprocket, 120-2B42, 3-7/16 in. Bore, 7/8 in. Key - (G6060 S/N 42.05168 & After).....15

Sprocket, 120-2B48, 3-7/16 in. Bore, 7/8 in. Key - G6070 Only.....15
 Sprocket, 40B16, 1 in. Bore.....20, 23
 Sprocket, 40B16, 1.25 in. Bore.....20
 Sprocket, 50B20, 1.25 in. Bore.....20, 23
 Sprocket, CA550, 6 Tooth.....23
 Sprocket, DBL.....23
 Sprocket, Drive (G6060 & PB6000 Only).....29
 Sprocket, Idle (G6060 & PB6000 Only).....30
 Sprocket, Idler, 50B17, .643 in. Bore.....19, 23
 Sprocket, N58, 6 Tooth, 1-1/4 in. Bore.....20
 Sprocket, N58, 6 Tooth, Idle 1-1/4 in. Bore.....20
 Stabilizer, Conveyor Angle Adjustment.....33
 Stand, Jack.....47
 Strip, Conveyor Skirting Center (G6060 & PB6000 Only).....29
 Strip, Conveyor Skirting, Center.....19
 Strip, Conveyor skirting, Center.....23
 Strip, Conveyor Skirting, Side.....19, 23
 Stripper Plate - 33 in. Weld In G6060 (Non Gearbox End).....7
 Stripper Plate - 35 in. Weld In G6060 (Gearbox End).....7
 Stripper Plate - 45 in. Weld In G6070 (Non Gearbox End).....7
 Stub Shaft Drive, Weld In - (S/N 42.05167 & Before).....7
 Stub Shaft Drive, Weld In - (S/N 42.05168 & After).....7
 Stub Shaft Idle, 2-15/16 in. Weld In.....7
 Stud, Wheel, 9/16-18 x 2-1/8 in.....11
 Support, Backstop Transport - Long - G6060, G6070 & G6070P With Tunnel Extensions Only.....45
 Support, Backstop Transport - Long - G6060, G6070 & G6070P Without Tunnel Extensions Only.....45

T

Tank, Hydraulic w/Pump & Decals (Includes Items 4a thru 4g).....61
 Tee, 06 ORB Run x MJIC.....37
 Tee, 1/4 NPT Male Run.....39
 Tee, Branch, 10 JIC Swivel.....61
 Tee, Swivel Run, 10 JIC.....61
 Tensioner, Rotor Chain.....15
 Tire, 235/85R16, G6060.....13
 Tire, 265/75R16, G6070 & G6070P.....13
 Tire, 9.5L x 15 Farm Implement, PB6000.....13
 Tool, Bag Vent.....67
 Tooth Assembly w/Cap.....7
 Trim, Black Vinyl, .250 - .500 (Order per Foot).....55
 Tube.....57
 Tube, CARDAN #6 Inner.....57
 Tube, CARDAN #8 Inner.....59
 Tube, Hydraulic, 1/2 in. Lift, PO Check.....73
 Tunnel Extension Base, 18 in. - G6060, G6070 & G6070P Only.....9
 Tunnel Extension Base, 29 in. - G6060, G6070 & G6070P Only.....9
 Tunnel Extension Base, 29 in. - LH - G6060, G6070 & G6070P Only.....9
 Tunnel Extension Base, 29 in. - RH - G6060, G6070 & G6070P Only.....9



Part Description Index (continued)

Tunnel Extension, 10' x 29 in. - G6070 & G6070P Only.....9
Tunnel Extension, 8' x 29 in. - G6060 Only...9
Tunnel Extension, 9' x 29 in. - G6060 Only...9
Tunnel Extension, 9' x 29 in. - G6070 & G6070P Only.....9
Tunnel Hood, 10' - G6070 & G6070P Only...9
Tunnel Hood, 8' w/Decals - G6060 Only.....9
Tunnel Hood, 9' - G6070 & G6070P Only.....9
Tunnel Hood, 9' w/Decals- G6060 Only.....9

U

Uhmw Strip, Pto Guard.....65
Union -04 ORB-06 MJIC.....39

V

Valve - Needle N400s.....39
Valve, Bag Vent.....67
Valve, Check.....37
Valve, Conveyor Lift w/Handle.....37, 73
Valve, Flow Control w/Handle - Conveyor & Cable Rewind.....61

W

Washer - Flat 5/8 in. SAE.....39
Washer, 5/16 Flat.....39
Washer, Flat 5/8 in.....9
Washer, Flat, .388 x 1.25 x .12 in.....61
Washer, Flat, 1-1/4 in. x 1-7/8 in.....20
Washer, Flat, 1/2 in.....19, 24, 30, 61
Washer, Flat, 1/4 in.....29
Washer, Flat, 1/4 in. SAE Yellow Zinc.....19, 23, 73
Washer, Flat, 1/4 in. Stainless Steel - G6060 & PB6000 Only.....17
Washer, Flat, 1/4 in. Stainless Steel - G6070 & G6070P Only.....17
Washer, Flat, 3/4 in.....15, 69
Washer, Flat, 3/8 in.....30, 43
Washer, Flat, 3/8 in. SAE.....19, 24, 33, 55, 61, 75
Washer, Flat, 3/8 in. Wide Stainless Steel.....9
Washer, Flat, 5/16 in.....27, 55
Washer, Flat, 5/8 in.....19, 23
Washer, Flat, 5/8 in. SAE.....33
Washer, Flat, 7/16 in.....15, 19, 23
Washer, Gandy.....71
Washer, Lock, 1/2 in.....23
Washer, Lock, 1/4 in.....61
Washer, Lock, 3/4 in. Yellow Zinc.....69
Washer, Lock, 5/8 in. Yellow Zinc.....7
Washer, Lock, External Tooth.....11
Washer, Sponge, Gandy.....71
Washer, Stainless Steel 1/4 Flat.....65
Weldment, Conveyor.....23
Weldment, Conveyor End Frame.....27
Weldment, Conveyor, Split w/ H Frame (Includes Items 52 thru 64).....20
Weldment, PTO Transport, Bolt On.....55
Weldment, Rotor Access, Drive - (S/N 42.05167 & Before).....7
Weldment, Rotor Access, Drive - (S/N 42.05168 & After).....7
Weldment, Rotor Access, Idle.....7
Wheel, 15 x 6 PB6000.....13

Y

Yoke.....57
Yoke, #6 Inner Tube.....57
Yoke, #6/S7, 1-3/8 in. Z6 Ball.....57
Yoke, #8 Inner Tube.....59
Yoke, #8 Outer Tube.....59
Yoke, #8/S9, 1-3/8 in. Z6 Ball.....59
Yoke, Ball Shear #6, 1-3/4 in. 27QD.....57
Yoke, Ball Shear #8, 1-3/4 in. 27QD.....59

Z

Zerk, Grease, 1/4-28, 65°.....41
Zerk, Grease, 1/8 NPT Female.....15
Zerk, Grease, 1/8, 45°.....41

This Page Intentionally Left Blank



© 2011 by Miller-St. Nazianz, Inc.
Ag-Bag, a Miller-St. Nazianz Company