

AG-BAGGER

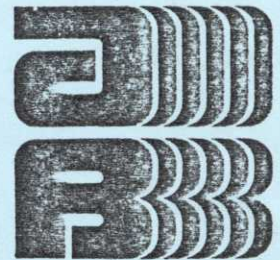
PARTS BOOK INDEX

NOTE: Left and right are determined from the rear of the machine facing in the direction of travel of the Ag-Bagger machine during operation. Except the spindle assembly is determined by standing behind the machine in the direction of travel when in the transport position.

<u>GROUP</u>	<u>TITLE</u>	<u>PAGE</u>
A	FRAME GROUP	1
B	AXLE AND WHEEL GROUP	3
C	CABLE AND BRAKE GROUP	4
D	ROTOR GROUP	5
E	BEATER GROUP	7
F	HYDRAULIC GROUP	9
G	TUNNEL GROUP	13
H	BACK STOP GROUP	14
I	CLEAN OUT GROUP	15
J	CONVEYOR GROUP	17
K	MISCELLANEOUS GROUP	19

DEALER:

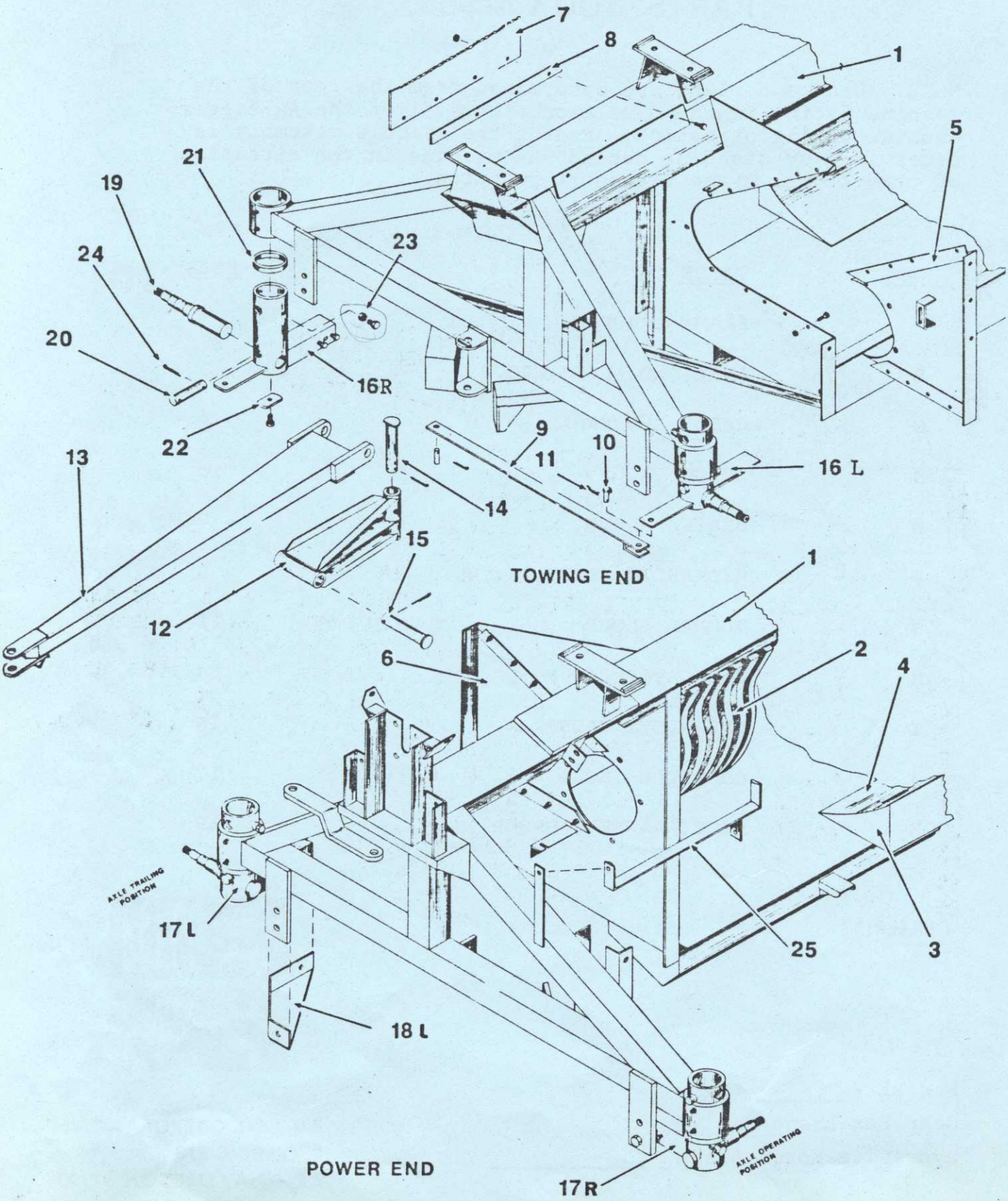
Serial # _____
Gear Box Brand _____
Hydraulic Motor Brand _____



AG-BAG CORPORATION
P. O. BOX 418
ASTORIA, OREGON 97103
TEL. (503) 325-2488

A

FRAME GROUP



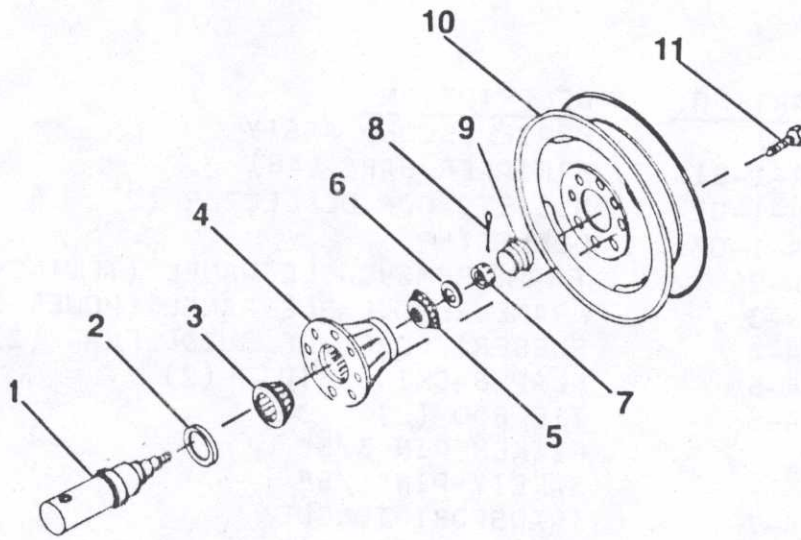
A

FRAME GROUP

<u>ITEM</u>	<u>PART NO.</u>	<u>DESCRIPTION</u>
1	2A-1	FRAME WELDED ASS'Y
2	2A-1-01	STRIPPER BARS (48)
3	2A-1-02	GUSSETS FOR DEFLECTOR (2)
4	2A-1-03	DEFLECTOR
5	2A-2	FRAME REMOVEABLE PANEL (TOWING END)
6	2A-3	FRAME REMOVEABLE PANEL (POWER END)
7	2A-4	RUBBERIZED CABLE GUIDE FLAP (2)
8	2A-5	FLAP BACKING STRIP (2)
9	2A-6	TIE ROD (2)
10		PICKER PIN 3/8"
11		SAFETY PIN 1/8"
12	2A-7	TRANSPORT TONGUE
13	2A-8	TONGUE EXTENSION
14	2A-9	TONGUE VERTICAL PIN
15	2A-10	TONGUE HORIZONTAL PIN
16L	2A-11L	SWIVEL SPINDLE ADJUSTMENT HUB L.H. TOWING END
16R	2A-11R	SWIVEL SPINDLE ADJUSTMENT HUB R.H. TOWING END
17L	2A-12L	SWIVEL SPINDLE ADJUSTMENT HUB L.H. POWER END
17R	2A-12R	SWIVEL SPINDLE ADJUSTMENT HUB R.H. POWER END
18L	2A-13L	POWER END L.H. SWIVEL TRAVELING LOCK
18R	2A-13R	POWER END R.H. SWIVEL TRAVELING LOCK (NOT SHOWN)
19		SPINDLE (SEE GROUP B)
20	2A-15	HEIGHT ADJUSTMENT PIN(4)
21	2A-16	RADIAL SPACER (4)
22	2A-17	SPINDLE KEEPER (4)
23	2A-18	SWIVEL STOP ROLLER (4)
24		COTTER PIN 1/4" DIA x 2"
25	2A-19	CABLE WEAR SHOE

B

AXLE GROUP

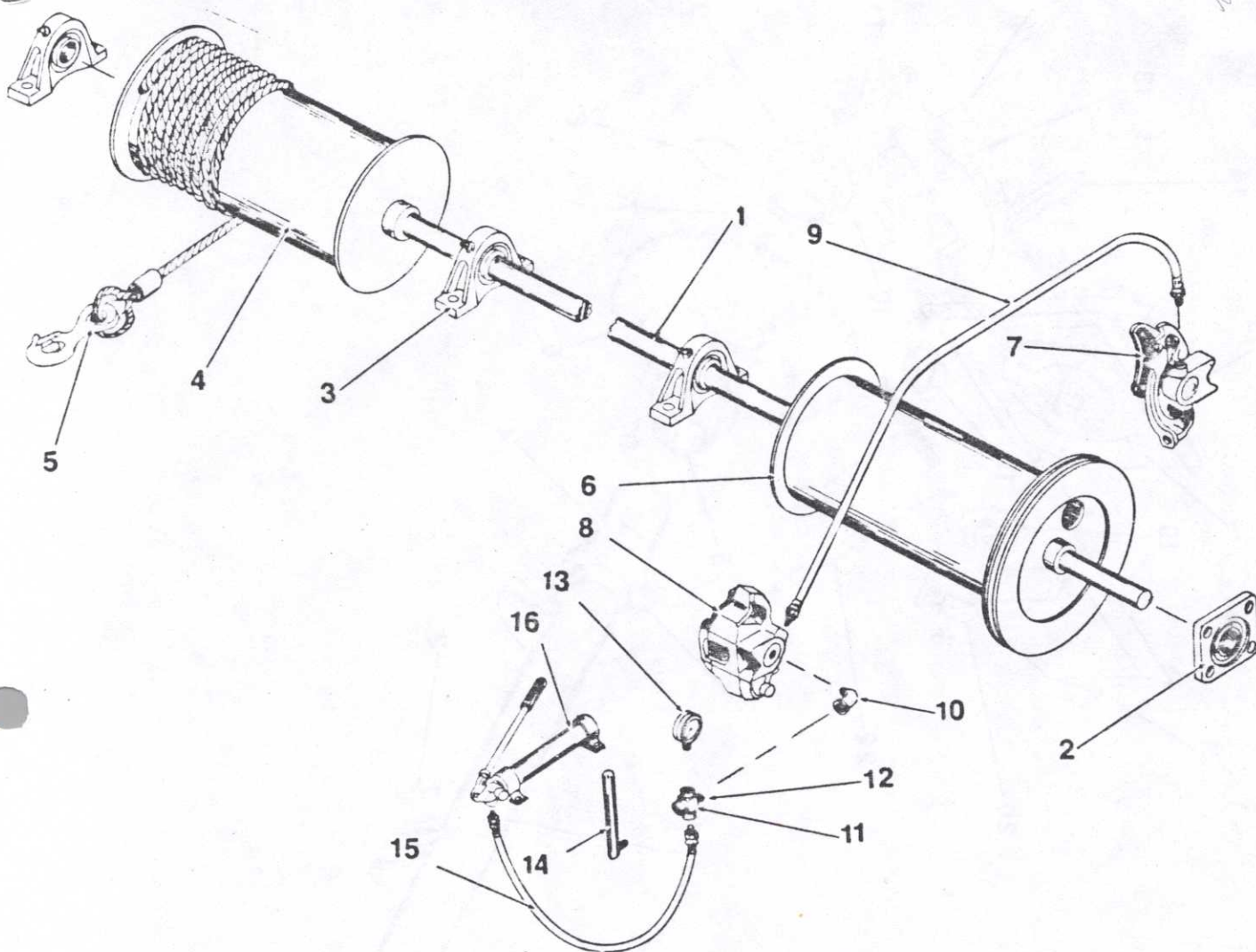


<u>ITEM</u>	<u>PART NO.</u>	<u>DESCRIPTION</u>
1	2B-1	SPINDLE
2	2B-2	GREASE SEAL
3	2B-3	CONE-INNER
4	2B-4	HUB ASS'Y (COMPLETE W/INNER & OUTER RACES)
5	2B-5	CONE-OUTER
6	2B-6	SPINDLE WASHER
7	2B-7	SPINDLE NUT
8	2B-8	COTTER PIN
9	2B-9	HUB CAP
10	2B-10	15" WHEEL 6 BOLT
11	2B-11	LUG BOLT (6)

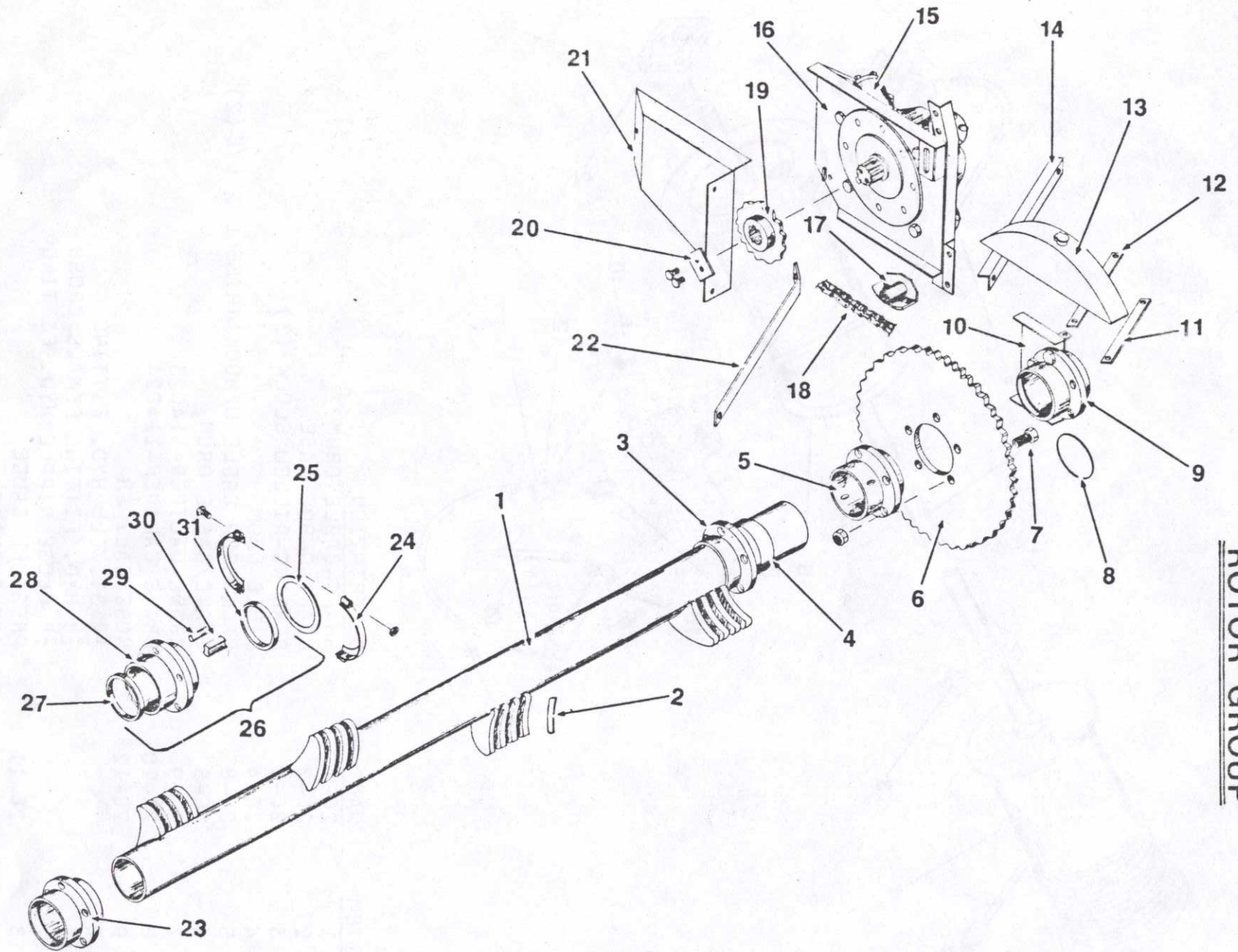
NOTE: 4 COMPLETE WHEEL/AXLE ASSEMBLYS
REQ'D PER UNIT

CABLE & BRAKE GROUP

NIPPLE,



<u>ITEM</u>	<u>PART NO.</u>	<u>DESCRIPTION</u>
1	2C-1	SHAFT-CABLE DRUM
2	2C-2	BEARING-SQ. BASE
3	2C-3	BEARING-PILLOW BLOCK (3)
4	2C-4	CABLE DRUM
5	2C-8	BACK STOP CABLE W/HOOK THIMBLE & EYE (2)
6	2C-5	BRAKE/CABLE DRUM
7	2C-9	BRAKE CALIPER-114023
8	2C-10	BRAKE CALIPER-114024
9	2C-12	HOSE CALIPER
10		$\frac{1}{4}$ " ST. ELL HYD. FITTING
11		$\frac{1}{4}$ " HYD. FITTING FEMALE CROSS
12		$\frac{1}{4}$ " CLOSE NIPPLE HYD. FITTING
13	2C-11	PRESSURE GAUGE
14	2C-6	AIR CHAMBER
15	2C-13	HOSE-HAND PUMP TO TEE
16	2C-7	HYD. HAND PUMP



ROTOR GROUP

D

D

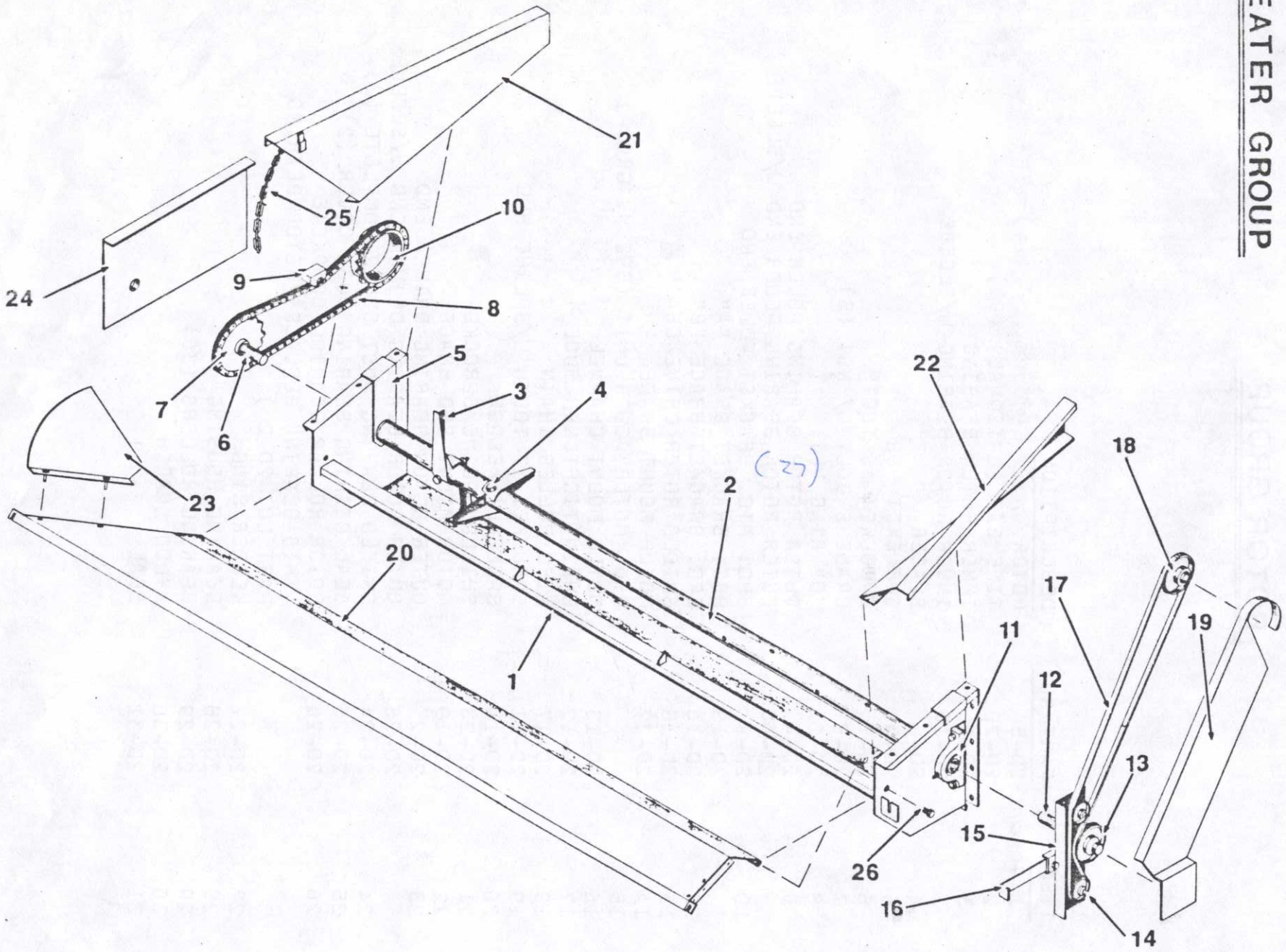
ROTOR GROUP

ITEM	PART NO.	DESCRIPTION
1	4050111 2D-5	ROTOR 110 1/2" (109" TO DRUG FLANGE) → THERE ARE 3 LENGTHS OF 50. 8-9-99
2	2D-20	TINE CAP (OPTIONAL) (96)
3	2D-1	INNER ROTOR BEARING
	2D-1S	INNER ROTOR BEARING W/SLEEVE
4	2D-6	SPACER
5	2D-3	SPROCKET HUB
6	2D-7	SPROCKET 45 TOOTH
7	2D-8	GRADE 5 BOLT W/ NUT (5)
8	2D-21	"O" RING (4)
9	2D-4	OUTER ROTOR BEARING POWER END
	2D-4S	OUTER ROTOR BEARING POWER END W/SLEEVE
10	2D-9	BRG. MTG. BRACKET POWER END
11	2D-1S	BRG. BRACKET BRACE "A"
12	2D-16	BRG. BRACKET BRACE "B"
13	2D-18	SHIELD ROTOR DRIVE CHAIN
14	2D-22	MOTOR MOUNT BRACE
15		HYD. MOTOR POWER UNIT (SEE H. GROUP)
16	2D-13	MOTOR MOUNT CHANNEL
17	2D-12	CHAIN TIGHTENER SHOE
18	2D-17	#160 ROLLER CHAIN
19	2D-11	SPROCKET 17 TOOTH W/SPLINE HUB
20	2D-14	SPROCKET KEEPER
21	2D-23	SHIELD SPLINE SPROCKET
22	2D-19	MOTOR MOUNT END BRACE
23	2D-2	OUTER ROTOR BEARING DRIVEN END
	2D-2S	OUTER ROTOR BEARING DRIVEN END W/SLEEVE
24	2D-24	SHIELD BEARING DUST COVER COMPLETE (2)
25	2D-25	SEAL BEARING BEARING DUST COVER (2)
26	2D-26	ROTOR ROLLER BEARING COMPLETE (THIS BEARING REPLACES ROTOR BEARING PART NO. 2D-2)
27	2D-27	KEEPER RING
28	2D-28	BEARING HOUSING
29	2D-29	BEARING ROLLERS (36)
30	2D-30	NYLON SPACER
31	2D-31	SEAL

05x2/24
27x22
Buy 2

h

BEATER GROUP



E

BEATER GROUP

<u>ITEM</u>	<u>PART NO.</u>	<u>DESCRIPTION</u>
1	2E-4	BEATER HOPPER
2	2E-1	BEATER TUBE
3	2E-2	BEATER BLADE (12 R. & L.H.)
4		1/2" CAP SCREW 4" LG. 1" THD. W/NUT & LOCKWASHER
5	2E-22	END SHIELDS
6	2E-14	BEATER STUB SHAFT POWER END
7	2E-20	#6045 DRIVEN SPROCKET
8	2E-21	#60 ROLLER CHAIN
9	2E-19	WOOD BLOCK (CHAIN TIGHTENER)
10	2E-3	MIXER DRIVE SPROCKET
11	2E-23	PILLOW BLOCK BRG. 1 1/2" BORE (2)
12	2E-5	BEATER STUB SHAFT REWIND END
13	2E-10	PULLEY "B" 6" x 1 3/8" BORE
	2E-10F	PULLEY "B" 6" x 1 3/8" BORE FOR FLAT BELT
14	2E-11	PULLEY "B" 3" x 3/4" BORE
15	2E-8	REWIND CABLE ASS'Y
16	2E-9	ADJUSTING TENSION ARM
17	2E-12	DOUBLE SIDED BELT BB-108
	2E-12F	FLAT SIDED BELT B-108
18	2E-13	PULLEY "B" 6" x 2" BORE
19	2E-7	REWIND ASS'Y SHIELD
20	2E-15	HOPPER FRONT
21	2E-16R	HOPPER SIDE POWER END
22	2E-16L	HOPPER SIDE REWIND END
23	2E-17R	HOPPER SWING SHIELD
	2E-17L	HOPPER SWING SHIELD (NOT SHOWN)
24	2E-18	BEATER DRIVE CHAIN SHIELD
25	2E-6	ADJUSTMENT CHAIN
26		HEX, HEAD BOLT

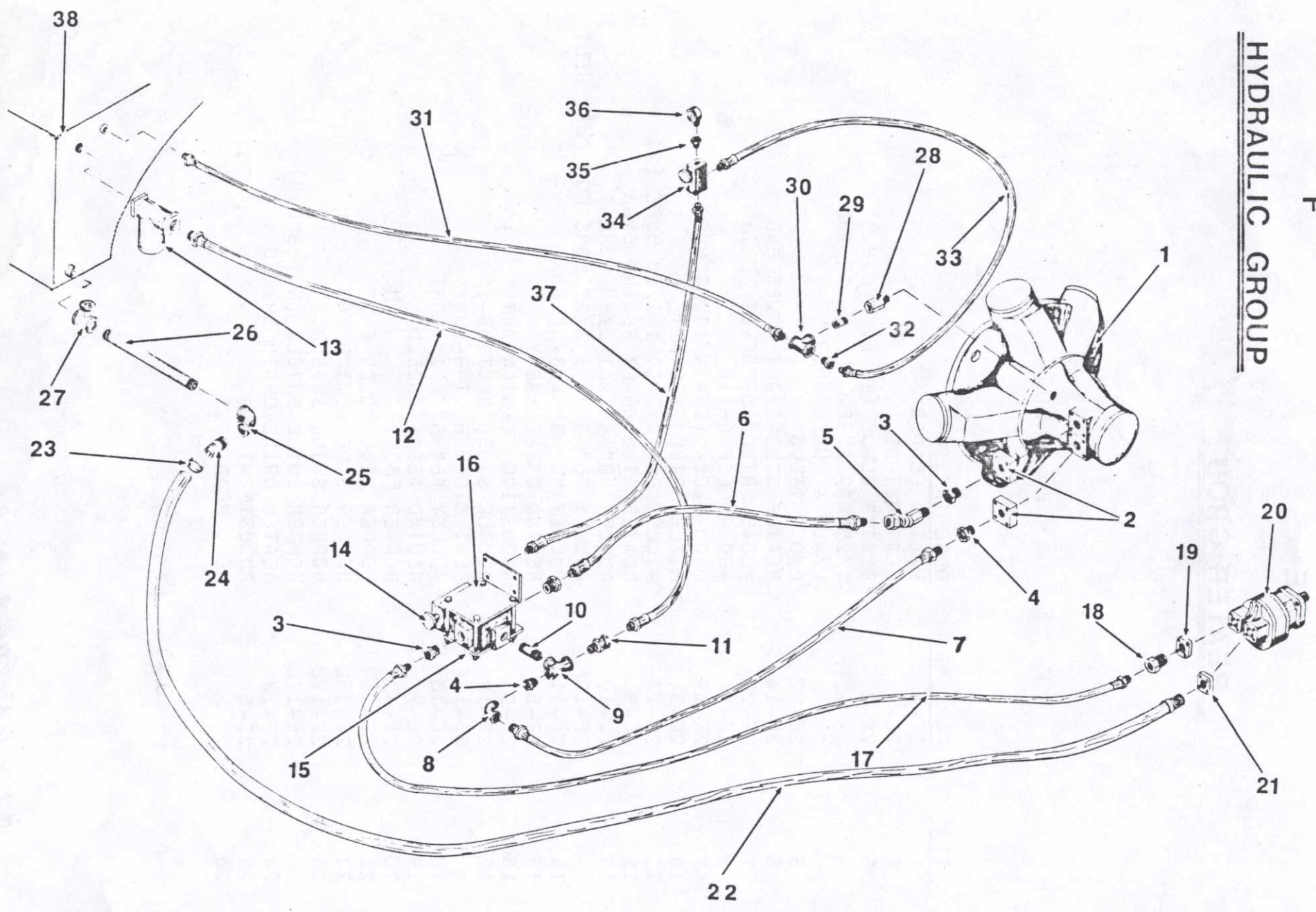
27 4050020 Complete Beater ASSY.

H-190 BEATER MOTOR WAS REB-STATOR NOW RE 18-08-06-0 WHITE 4-10-00

E

HYDRAULIC GROUP

F



F

HYDRAULIC GROUP

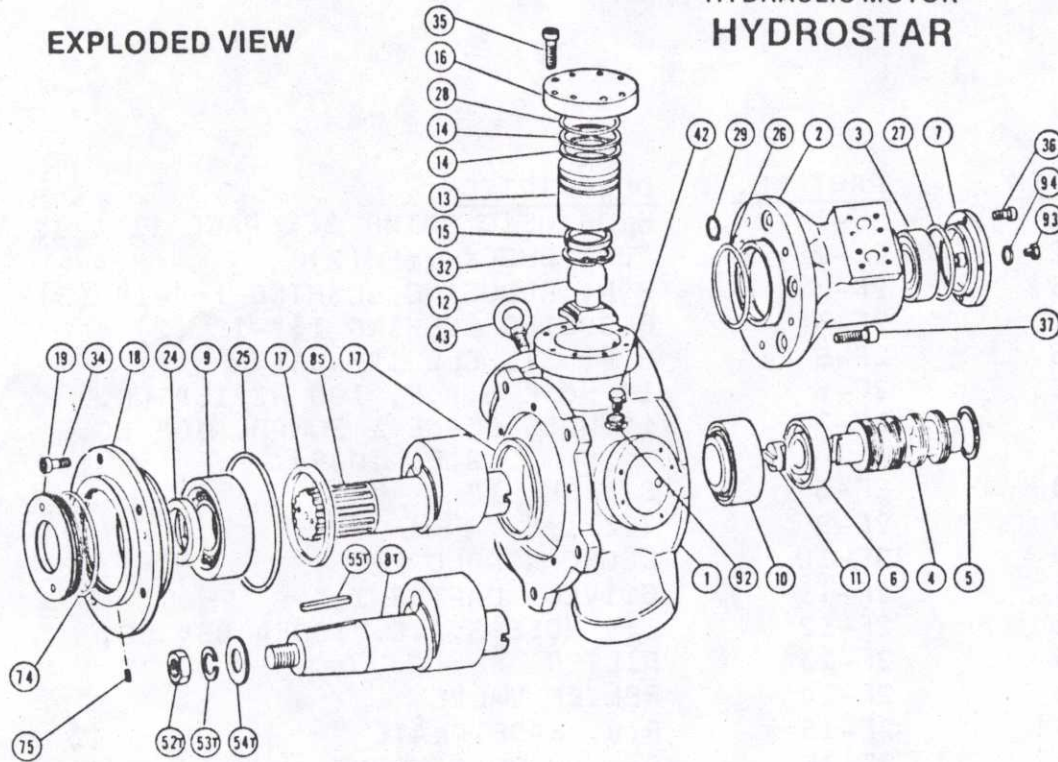
<u>ITEM</u>	<u>PART NO.</u>	<u>DESCRIPTION</u>
1	* 2F-1	HYDRAULIC MOTOR SEE PAGE 11 & 12
2	* 2F-2	PORT BLOCK 1 $\frac{1}{4}$ " (2)
3	2F-3	H P. REDUCING BUSHING 1 $\frac{1}{4}$ "-1" (3)
4	2F-4	REDUCING BUSHING 1 $\frac{1}{4}$ "-1" (2)
5	2F-5	H.P, ST. ELL 1" x45°
6	2F-6	1" HOSE S.A.E. 100 RZ 15" LG.
7	2F-7	1" HOSE SMPOE & SWMPOL 30" LG. S.A.E. 100R4
8	2F-8	ST. ELL 1"
9	2F-9	TEE 1 $\frac{1}{4}$ "
10	2F-10	CLOSE NIPPLE 1 $\frac{1}{4}$ "
11	2F-11	SWIVEL ADAPTOR 1 $\frac{1}{4}$ "
12	2F-12	1 $\frac{1}{4}$ " HOSE S.A.E. 100R4 86" LG.
13	2F-13	FILTER
14	2F-14	RELIEF VALVE
15	2F-15	R.V. BASE PLATE
16	2F-16	R.V. HANGER MOUNT
17	2F-17	1" HOSE S.A.E. 100RZ 144" LG.
18	2F-18	H.P. REDUCING BUSHING 1 $\frac{1}{2}$ "-1" (1)
19	2F-19	PORT BLOCK 1 $\frac{1}{2}$ "
20	*2F-20	HYDRAULIC PUMP
21	2F-21	PORT BLOCK 2"
22	2F-22	2" HOSE S.A.E. 100R4 180" LG.
23	2F-23	HOSE CLAMP 2" (2)
24	2F-24	KING COMBINATION NIPPLE 2" (2)
25	2F-25	90° ELL 2"
26	2F-26	2" PIPE N.P.T. BOTH ENDS 27" LG.
27	2F-27	GATE VALVE 2" BRASS
28	2F-28	"O" RING ADAPTOR 3/4"UNF- $\frac{1}{2}$ "FMP
29	2F-29	CLOSE NIPPLE $\frac{1}{2}$ "
30	2F-30	TEE $\frac{1}{2}$ "
31	2F-31	$\frac{1}{2}$ " HOSE S.A.F. 100R1 72" LG.
32	2F-32	REDUCING BUSHING $\frac{1}{2}$ "-3/8"
33	2F-33	3/8" HOSE S.A.E. 100R1 33" LG.
34	2F-34	VALVE ON-OFF
35	2F-35	REDUCING BUSHING 3/8"- $\frac{1}{4}$ "
36	2F-36	GAGE 3000#
37	2F-37	3/8" HOSE S.A.E. 100R1 18" LG.
38		TANK (SEE GROUP G)

*SPECIFY KYB OR STAFFA MOTOR

MRH-190

LOW SPEED HIGH TORQUE HYDRAULIC MOTOR HYDROSTAR

EXPLODED VIEW

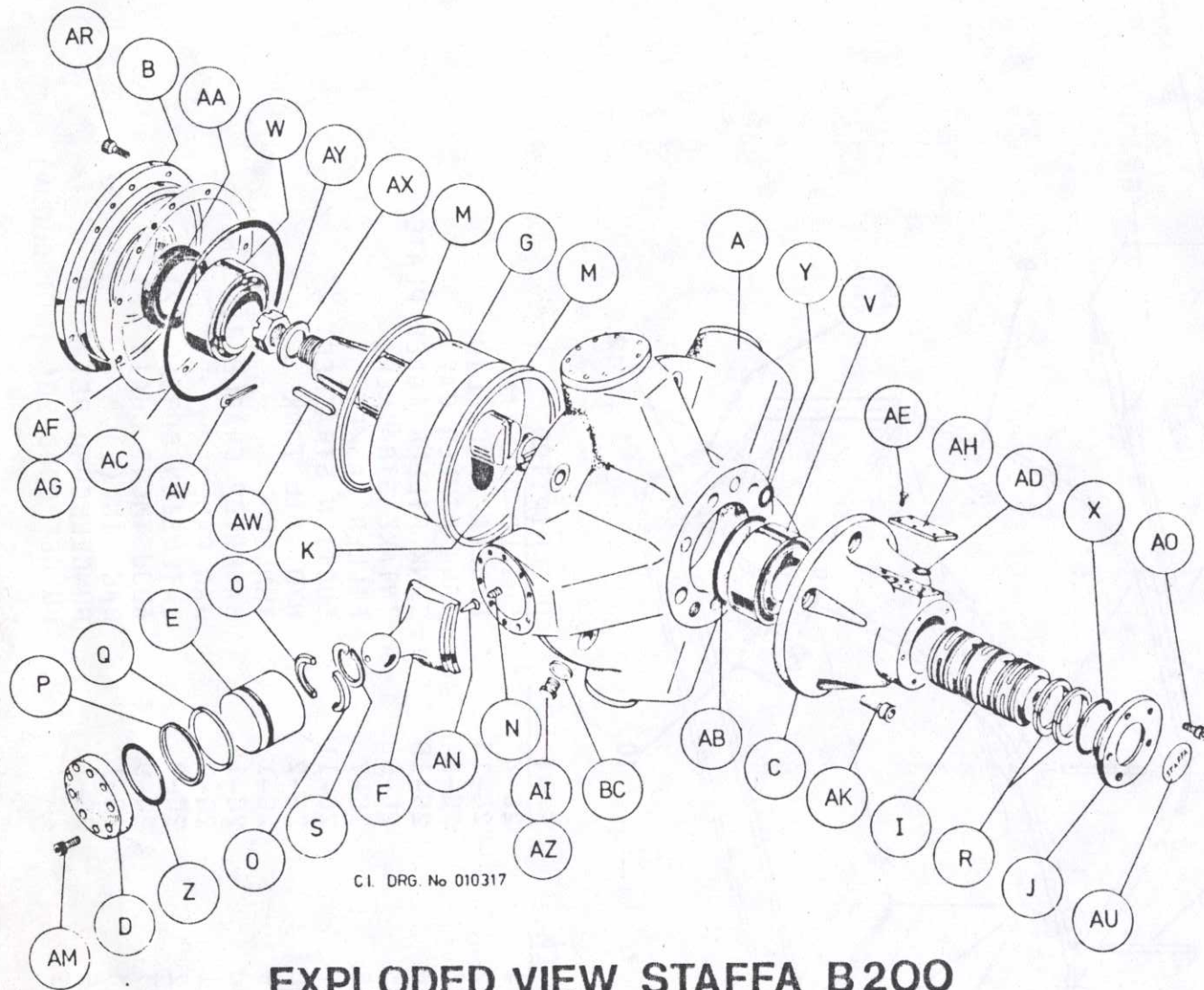


PART LIST (STANDARD MOTOR)

ITEM	DESCRIPTION	PART NO.	QTY.	GRADE	ITEM	DESCRIPTION	PART NO.	QTY.	GRADE
1	Motor Housing	20381-00154	1	C	26	"O" Ring - Valve Housing	95121-16500	1	A
2	Valve Housing	20381-00248	1	C	27	"O" Ring - Valve End Cap	95121-10500	1	A
3	Valve Bearing	20381-02314	1	C	28	"O" Ring - Cylinder Cap	95123-09500	5	A
4	Rotary Valve	20381-00422	1	C	29	"O" Ring - Inter. Oil Passage	95123-03500	5	A
5	Valve Seal	20381-01306	6	C	32	Snap Ring - Piston	94721-80251	5	D
6	Valve Bearing	20381-02306	1	C	34	Socket Head Cap Screw	92703-14350	10	D
7	Valve End Cap	20381-00621	1	D	35	Socket Head Cap Screw	92703-16350	40	D
85	Crank Shaft	20381-00792	1	C	36	Socket Head Cap Screw	92703-08200	4	D
8T	Crank Shaft	20381-00774	1	C	37	Socket Head Cap Screw	92703-20550	5	D
9	Crank Shaft Front Bearing	20381-00807	1	C	42	Drain Plug	20381-04909	2	D
10	Crank Shaft Rear Bearing	20381-00815	1	C	43	Eye Bolt	20381-02505	1	D
11	Oldham Coupling	20381-00906	1	D	52T	Hexagon Nut	20381-03005	1	D
12	Connecting Rod	20381-01019	5	B	53T	Spring Washer	94101-03103	1	D
13	Piston	20382-01114	5		54T	Plain Washer	20381-03208	1	D
14	Piston Ring	20381-01306	10	C	55T	Key	20381-03304	1	C
15	Con. Rod-Piston Collar	20381-01408	5 Set	D	74	"O" Ring - Adjustment Plate	20381-09850	1	A
16	Cylinder Cap	20381-01518	5	D	75	Socket Headless Set Screw	91521-08200	1	D
17	Con. Rod Retaining Ring	20381-01622	2	C	92	"O" Ring - Drain Plug	20381-09846	2	A
18	Front Cover	20381-01733	1	D	93	Drain Plug	20381-04909	1	D
19	Adjustment Plate	20381-01819	1	D	94	"O" Ring - Drain Plug	20381-09846	1	A
24	Shaft Seal	20381-09906	1	A					
25	"O" Ring - Front Cover	95121-30000	1	A					

Notes: 1 Suffix S ... Only Spline shaft
 Suffix T ... Only Taper shaft
 2 Grade A ... These parts should be replaced whenever the motor is disassembled.
 Grade B ... These parts should be replaced only as matching parts and will probably need replacement during the life period of the motor.
 Grade C ... These parts will probably need replacement during the life period of the motor.
 Grade D ... These parts seldom if ever require to be replaced.

3 Recommended Tightening Torques
 Item 34 M 14 95 ± 3 Ft. Lbs.
 Item 35 M 16 130 ± 4 Ft. Lbs.
 Item 36 M 8 22 ± 2 Ft. Lbs.
 Item 37 M 20 275 ± 5 Ft. Lbs.
 Item 52T 1½UNC 555 ± 5 Ft. Lbs.
 Item 75 M 8 22 ± 2 Ft. Lbs.



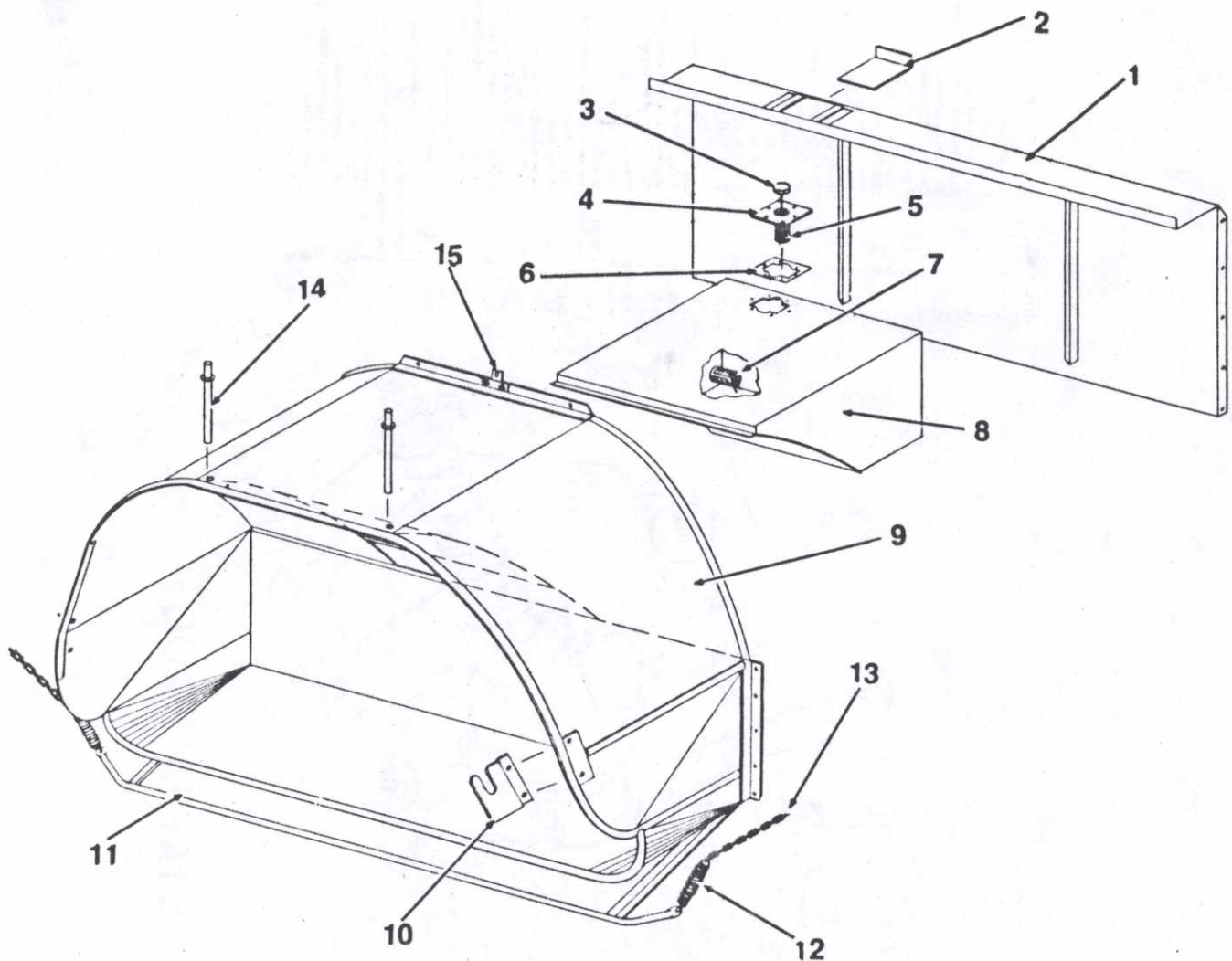
C.I. DRG. No 010317

EXPLODED VIEW STAFFA B200

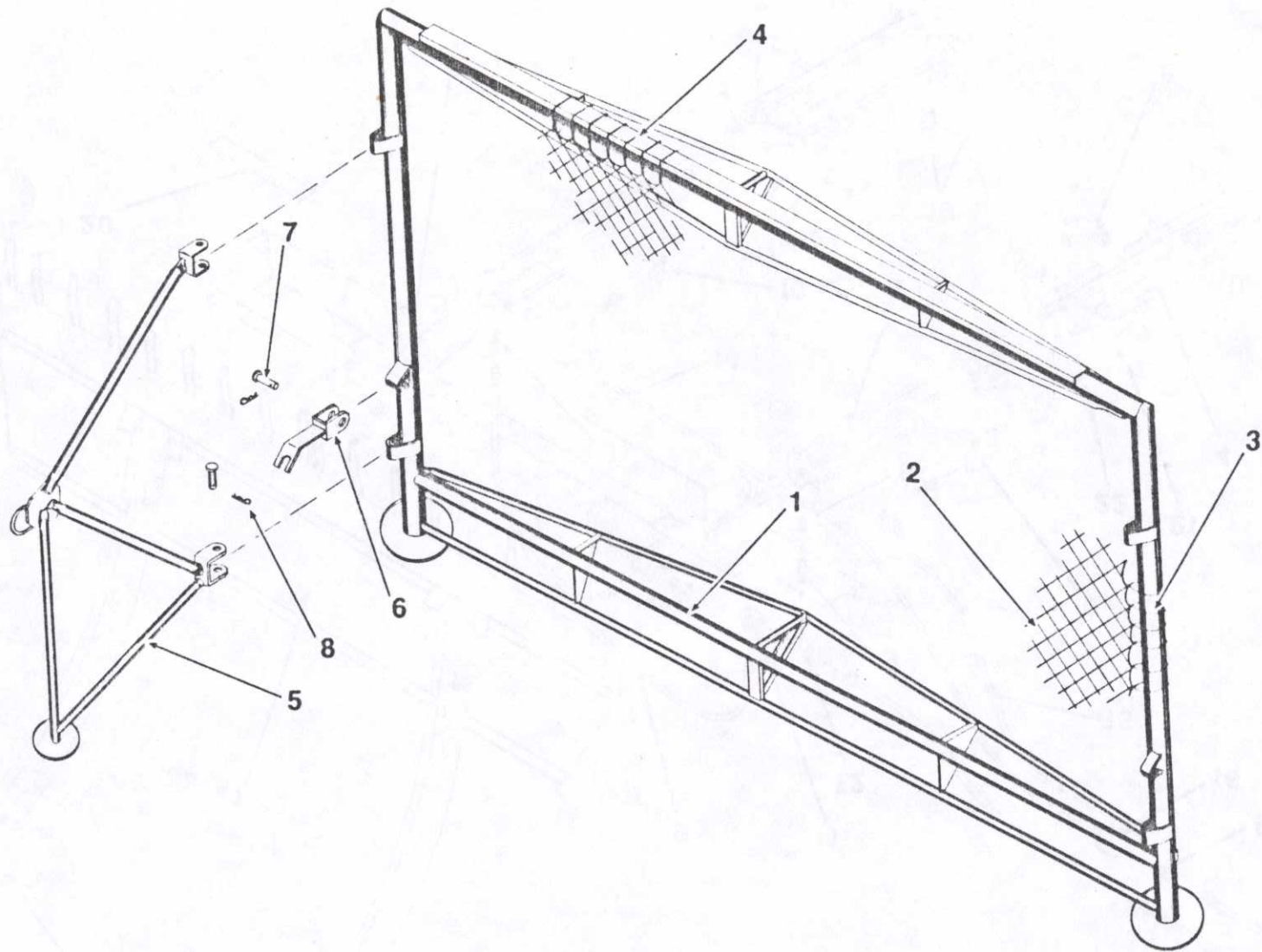
Item	Qty	Part Description	Part Size
A	1	Motor Case	
B	1	Front Cover	
D	5	Cylinder End Caps	
G	1	Crankshaft, S Spline, T-Taper, P-Parallel	
K	1	Oldham Coupling	
M	2	Con Rod Retaining Rings	
P	5	*Piston Seal Backing Rings	
Q	5	*Piston Seal Rings	
V	1	Rear Bearing	
W	1	Front Bearing	
Z	5	*O' Rings (Cylinder End Caps)	3 1/2" I.D. x .210" - 75 IRHD
AA	1	*Shaft Seal	3 1/2" I.D. x 4 1/2" O.D. x 1/2"
AC	1	*O' Ring (Front Cover)	12 1/2" I.D. x .139" - 75 IRHD
AF	As req'd	Plastic Shims	.002"/.005"/.010"/.025"
AG	As req'd	Steel Shims	.032"
AI	2	Drain Plugs	1/2" UNF
AK	5	S.H.C.S. (Valve Assy/Motor)	1/2" UNF x 2" Long
AM	50	S.H.C.S. (Cylinder End Caps)	1/2" UNF x 1 1/2" Long
AR	10	S.H.C.S. (Front Cover)	1/2" UNF x 1 1/4" Long
AU	1	Name Plate	
AV	1	Split Pin, 'T' Crankshaft only	
AW	1	Key, 'T' and 'P' Crankshaft only	
AX	1	Washer, 'T' Crankshaft only	
AY	1	Nut, 'T' Crankshaft only	
AZ	1	Plastic Plug	
BC	3	Bonded Seals	3/4" I.D.
VALVE SUB-ASSEMBLY (the following items form an assembly that can be supplied complete)			
C	1	Valve Housing	
I	1	Valve Spool	
J	1	Valve End Cap	
R	12	*Valve Spool Seal Rings	
X	1	*O' Ring (Valve End Cap)	3 1/2" I.D. x .210" - 75 IRHD
Y	5	*O' Rings (Internal Ports)	1 1/2" I.D. x .139" - 75 IRHD
AB	1	*O' Rings (Valve Housing Spigot)	5 1/2" I.D. x .139" - 75 IRHD
AD	2	*O' Rings (External Ports)	1 1/2" I.D. x .139" - 75 IRHD
AE	4	Hex. Head Screws (Cover Plate)	1/2" UNF x 1/2" Long
AH	1	Cover Plate	
AO	5	S.H.C.S. (Valve End Cap)	1/2" UNF x 1/2" Long
PISTON SUB-ASSEMBLY (the following items form five-off assemblies that can be supplied complete)			
E	5	Pistons	
F	5	Con Rods	
N	5	Restrictor Screws	
O	10	Piston Retaining Half Rings	
S	5	Internal Circlip	2 1/4" Bore
AN	5	Filter	

G

TUNNEL GROUP

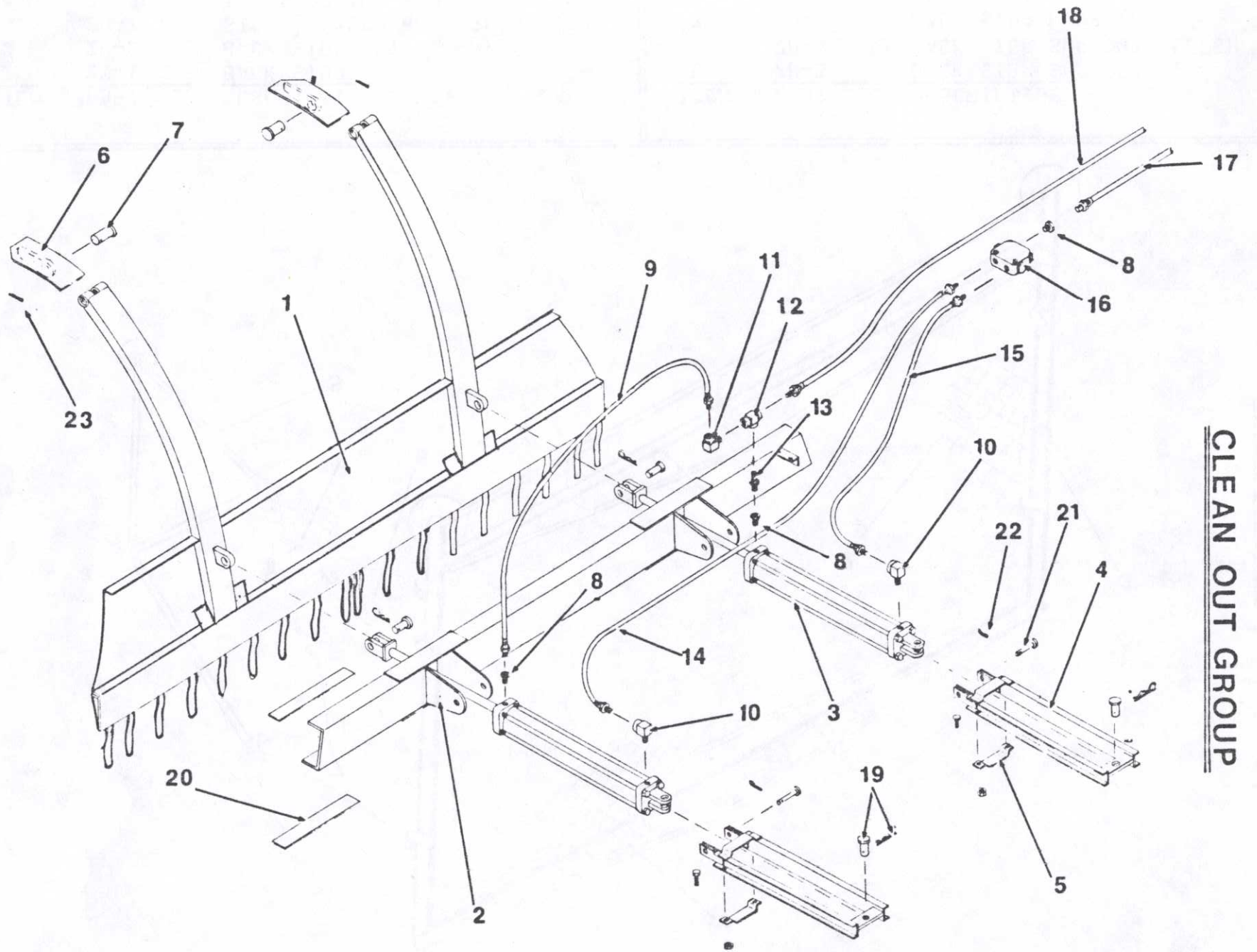


<u>ITEM</u>	<u>PART NO.</u>	<u>DESCRIPTION</u>
1	2G-4	SHIELD-OIL TANK
2	2G-13	FILLER CHECK LID
3	2G-6	TANK FILLER CAP
4	2G-10	TANK FILLER COVER PLATE
5	2G-5	INTAKE STRAINER
6	2G-7	FILLER GASKET
7	2G-11	SUCTION STRAINER
8	2G-2	HYD. OIL TANK
9	2G-1	TUNNEL
10	2G-15	BACKSTOP CRADLE R.&L.H.
11	2G-3	BAG PAN
12	2G-8	EXTENSION SPRING (2)
13	2G-9	ADJUSTMENT CHAIN (2)
14	2G-12	BAG PIN (2)
15	2G-14	BUNGEE CORD RETAINER
16	2G-16	BUNGEE CORD 20' (NOT SHOWN)



ITEM	PART NO.	DESCRIPTION
1	2H-1	BACK STOP
2	2H-2	BACK STOP NET
3	2H-7	SIDE $\frac{1}{4}$ NYLON ROPE 20'-0 (2)
4	2H-8	TOP & BOTTOM $\frac{1}{4}$ NYLON ROPE 50'-0 (2)

ITEM	PART NO.	DESCRIPTION
5	2H-3	BACK STOP SUPPORT (2)
6	2H-4	BACK STOP SUPPORT KEEPER (2)
7	2H-5	BACK STOP PINS (6)
8	2H-6	SAFETY PINS (6)



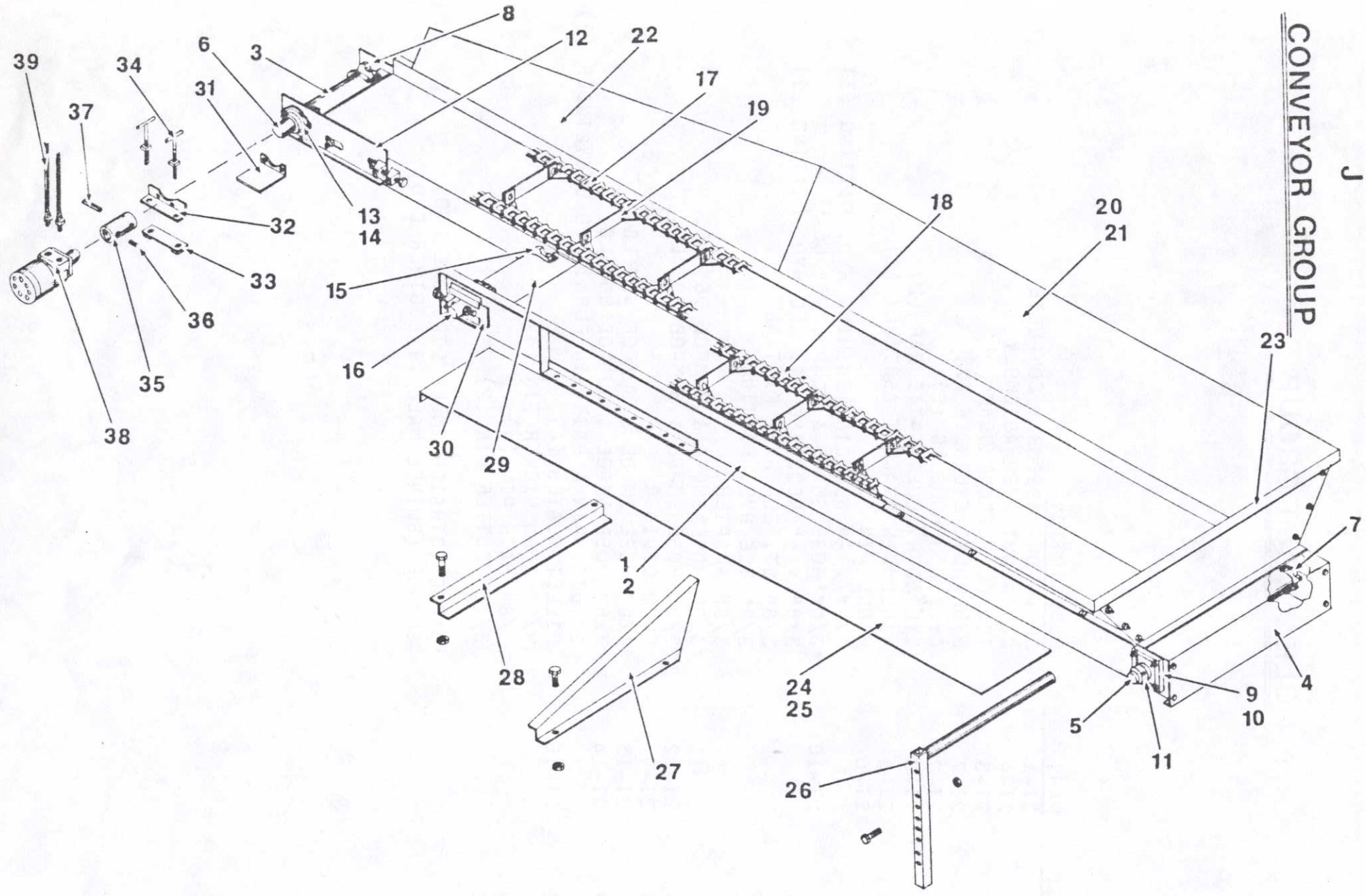
CLEAN OUT GROUP

CLEAN OUT GROUP

<u>ITEM</u>	<u>PART NO</u>	<u>DESCRIPTION</u>
	2I-1	CLEAN OUT ASSEMBLY COMPLETE
1	2I-4	CLEAN OUT PUSH ASSEMBLY
2	2I-3	TUNNEL SUPPORT BEAM
3	2I-7	HYDRAULIC CYLINDER (2)
4	2I-2	CYLINDER HOUSING (2)
5	2I-8	CYLINDER HOUSING-TIE BAR (2)
6	2I-5	HINGE PIN BRACKET ASSEMBLY (2)
7	2I-6	HINGE PIN (2)
8		3/8" x 1/2" REDUCING BUSHING HYD. FITTING (3)
9	2I-10	*3/8" HOSE SMPOE & SWMPOE 96" LG.
10		3/8" x 1/2" REDUCING ST. ELL HYD. FITTING (2)
11		3/8" ST. ELL HYD. FITTING
12		3/8" TEE HYD. FITTING
13		3/8" ADAPTER
14	2I-11	*3/8" HOSE SMPOE & SWMPOE 96" LG.
15	2I-12	*3/8" HOSE SMPOE & SWMPOE 30" LG.
16	2I-9	FLOW DIVIDER
17	2I-13	*3/8" HOSE SMPOE & SWMPOE 45" LG.
18	2I-14	*3/8" HOSE SMPOE & SWMPOE 60" LG.
19		1" DIA. PIN & HAIR PIN FURNISHED W/CYLINDER (2)
20	2I-15	FILLET PLATES (4)
21		3/8" CORN PICKER PIN (4)
22		1/8" HAIR PIN (4)
23		3/16" COTTER PIN (2)

*SMPOE (STRAIGHT MALE PIPE ONE END)
 SWMPOE (SWIVEL MALE PIPE OTHER END)

CONVEYOR GROUP



J

CONVEYOR GROUP

<u>ITEM</u>	<u>PART NO.</u>	<u>DESCRIPTION</u>
1	2J-1	CONVEYOR COMPLETE W/CHAIN
2	2J-2	CONVEYOR SHELL
3	2J-3	CONV. SHAFT SHIELD (DISCHARGE END LG.)-4050145
4	2J-4	BOOT END COVER -4050146
5	2J-5	CONV. SHAFT BOOT END -4050054
6	2J-6	CONV. SHAFT DRIVE -4050147
7	2J-12	SPROCKET 6 TOOTH 1 1/4" BORE (2) 1520218
8	2J-37	SPROCKET 6 TOOTH W/ 3/8" ROLL PIN HOLE (2) 1520218
9	2J-18	SQ. BASE BEARING HOUSING (2) 1500718
10	2J-19	ROLLER CAGE BRG. 1 1/4" BORE (2) -1510121 1510005
11	2J-38	SET COLLAR 1 1/4" BORE (2) -1500719
12	2J-20	BEARING SLIDE PLATE (2) 4050155 (L) & 4050156 (R)
13	2J-21	SEALED BRG. & FLANGE COMPLETE (2) -1510122 & 1510123
14	2J-22	BEARING (ONLY) 1 1/8" BORE (2) 1510124
15	2J-31	6 TOOTH IDLER 3/4" BORE (2) 1520193
16	2J-7	CONV. SHAFT IDLER 4060053
17	2J-10	COMPLETE CONV. CHAIN (LONG) 1520021 & 1520022
18	2J-9	COMPLETE CONV. CHAIN (SHORT) 1520029 & 1520030
19	2J-8	CONVEYOR FLIGHT (42)
20	2J-16R	R.H. FLARE BOARD (SHOWN) -4050152
21	2J-16L	L.H. FLARE BOARD -4050153
22	2J-17	FLARE BOARD EXTENSION -4050154
23	2J-15	REAR FLARE BOARD
24	2J-32	BOTTOM PAN LONG 4050158
25	2J-33	BOTTOM PAN SHORT (SHOWN) 4050159
26	2J-11	CONV. SUPPORT ARM (VERTICAL) -4050149
27	2J-14	CONV. SUPPORT -4050151
28	2J-13	CONV. SUPPORT KEEPER (HORIZONTAL) -4050150
29	2J-35	CONV. SHAFT SHIELD (DISCHARGE END SHORT) -4050160
30	2J-39	SLIDE PLATE (2) -4050161
31	2J-23	HYD. MOTOR BASE -4050157
32	2J-24	HYD. MOTOR MOUNT MAC 16001
33	2J-25	CLAMP PLATE
34	2J-29	CLAMP BOLTS (2)
35	2J-26	SHAFT COUPLER 6008005 2
36	2J-27	ALLEN HD. SET SCREW -1550262
37	2J-28	3/8" ROLL PIN
38	2J-30	HYD. MOTOR MAC 16001 (1134) 1540937
39	2J-36	* 1/2" HYD. HOSE 15'-0" LG. SMPBE

* SMPBE (STRAIGHT MALE PIPE BOTH ENDS)

25-40L - 1520281
 25-40R - 1520282

J

CONVEYOR GROUP

<u>ITEM</u>	<u>PART NO.</u>	<u>DESCRIPTION</u>
1	2J-1	CONVEYOR COMPLETE W/CHAIN
2	2J-2	CONVEYOR SHELL
3	2J-3	CONV. SHAFT SHIELD (DISCHARGE END LG.)
4	2J-4	BOOT END COVER
5	2J-5	CONV. SHAFT BOOT END
6	2J-6	CONV. SHAFT DRIVE
7	2J-12	SPROCKET 6 TOOTH 1 1/4" BORE (2)
8	2J-37	SPROCKET 6 TOOTH W/ 3/8" ROLL PIN HOLE (2)
9	2J-18	SQ. BASE BEARING HOUSING (2)
10	2J-19	ROLLER CAGE BRG. 1 1/4" BORE (2)
11	2J-38	SET COLLAR 1 1/4" BORE (2)
12	2J-20	BEARING SLIDE PLATE (2)
13	2J-21	SEALED BRG. & FLANGE COMPLETE (2)
14	2J-22	BEARING (ONLY) 1 1/8" BORE (2)
15	2J-31	6 TOOTH IDLER 3/4" BORE (2)
16	2J-7	CONV. SHAFT IDLER
17	2J-10	COMPLETE CONV. CHAIN (LONG)
18	2J-9	COMPLETE CONV. CHAIN (SHORT)
19	2J-8	CONVEYOR FLIGHT (42)
20	2J-16R	R.H. FLARE BOARD (SHOWN)
21	2J-16L	L.H. FLARE BOARD
22	2J-17	FLARE BOARD EXTENSION
23	2J-15	REAR FLARE BOARD
24	2J-32	BOTTOM PAN LONG
25	2J-33	BOTTOM PAN SHORT (SHOWN)
26	2J-11	CONV. SUPPORT ARM (VERTICAL)
27	2J-14	CONV. SUPPORT
28	2J-13	CONV. SUPPORT KEEPER (HORIZONTAL)
29	2J-35	CONV. SHAFT SHIELD (DISCHARGE END SHORT)
30	2J-39	SLIDE PLATE (2)
31	2J-23	HYD. MOTOR BASE
32	2J-24	HYD. MOTOR MOUNT MAC 16001
33	2J-25	CLAMP PLATE
34	2J-29	CLAMP BOLTS (2)
35	2J-26	SHAFT COUPLER
36	2J-27	ALLEN HD. SET SCREW
37	2J-28	3/8" ROLL PIN
38	2J-30	HYD. MOTOR MAC 16001
39	2J-36	* 1/2" HYD. HOSE 15'-0" LG. SMPBE

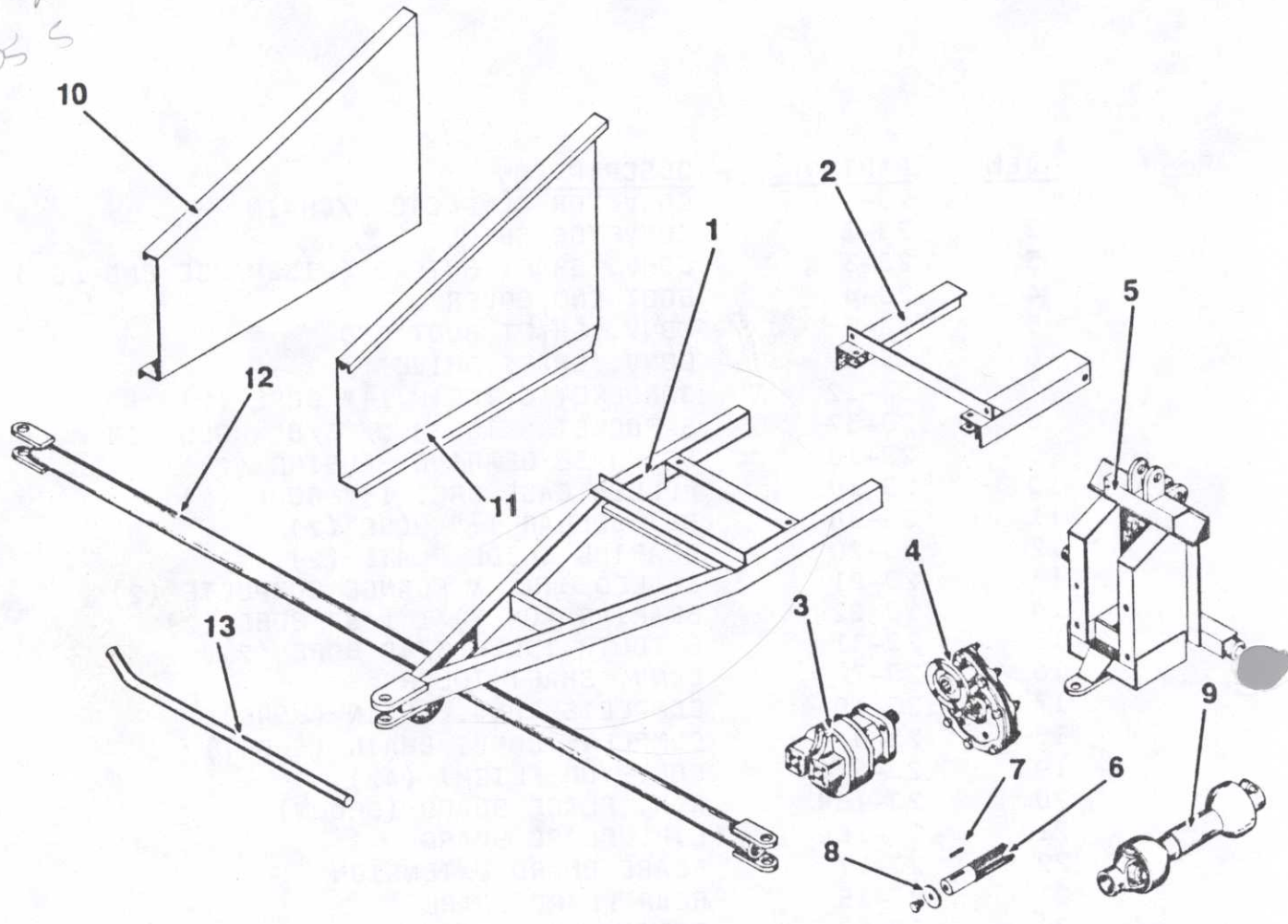
* SMPBE (STRAIGHT MALE PIPE BOTH ENDS)

1010028
25
36

K

MISCELLANEOUS GROUP

505
504
51305



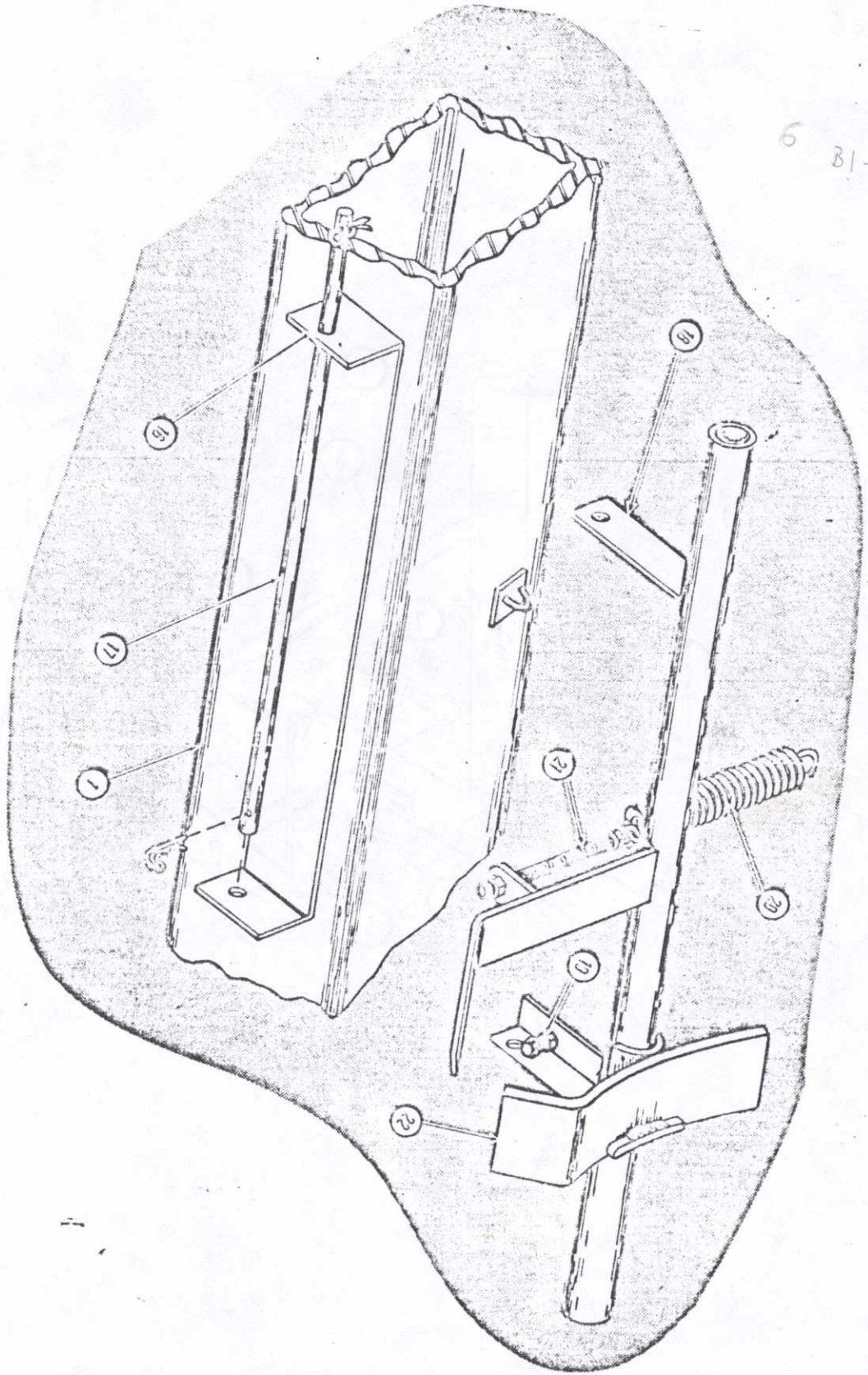
4050219 B-18-26

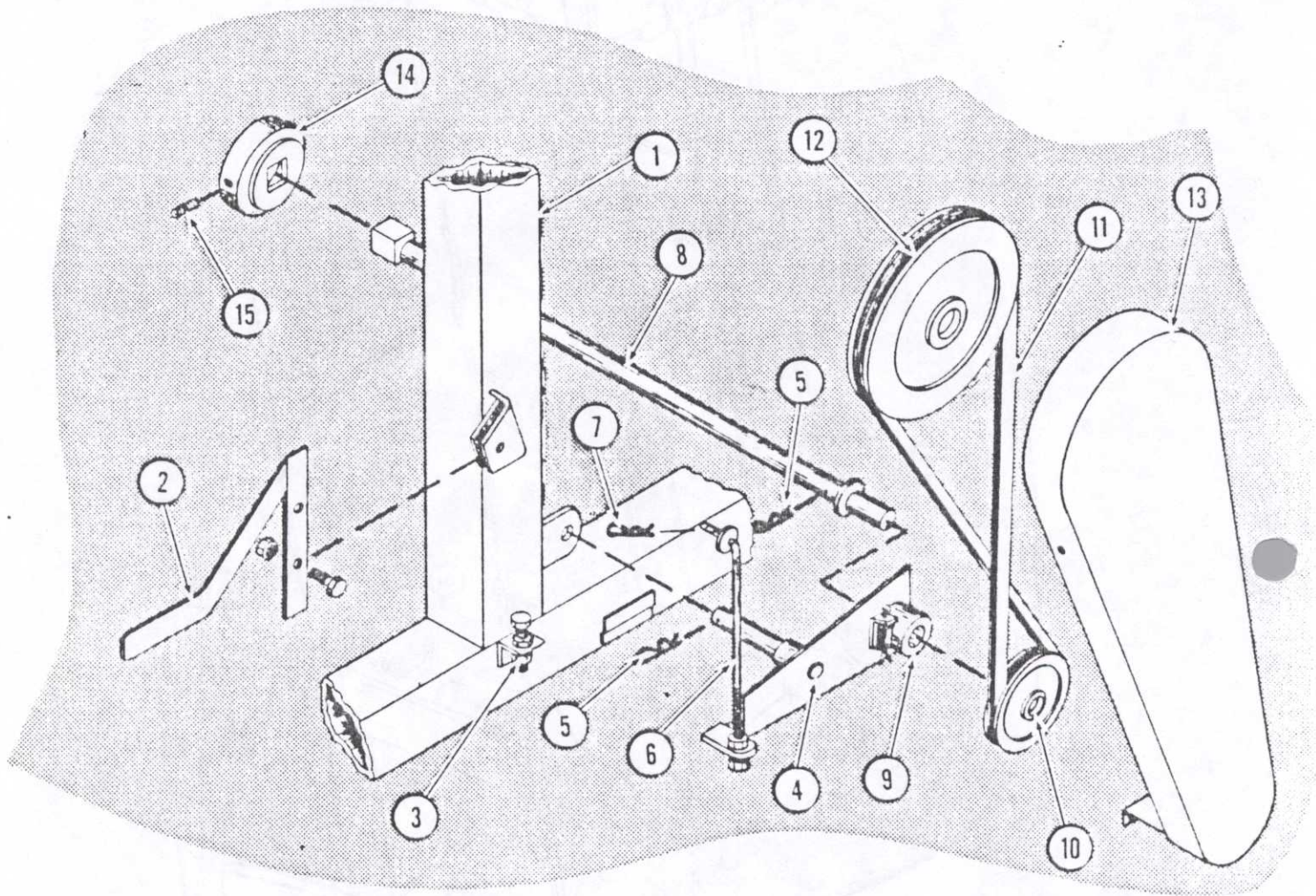
D-19-1

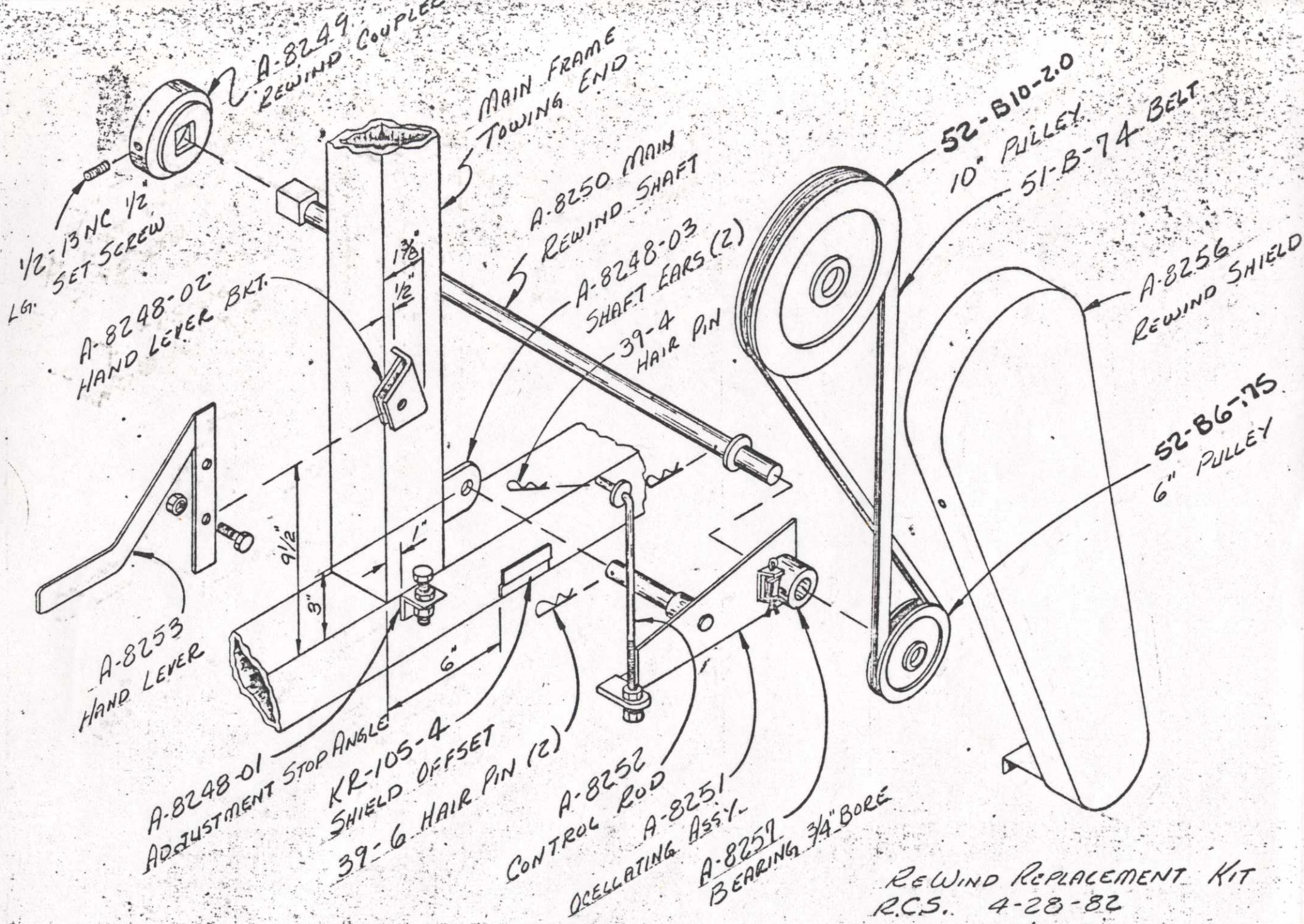
ITEM	PART NO.	DESCRIPTION
1	2K-1	FIELD TONGUE 4050004-00
2	2K-2	FIELD TONGUE HOUSING
3		HYD. PUMP (SEE GROUP F)
4	2K-5	*GEAR BOX A (DURST)
		*GEAR BOX B (VON RUDEN)
5	2K-7	3 POINT MOUNT
6	2K-9	*SPLINE SHAFT
7	2K-10	SPLINE SHAFT KEY
8	2K-11	SPLINE SHAFT KEEPER W/BOLT
9	2K-8	*27 1/2" P.T.O. SHAFT W/SHIELD 50 H.P.
10	2K-12	HOPPER EXTENSION SHIELD L.H.
11	2K-13	HOPPER EXTENSION SHIELD R.H.
12	2K-3	PUSH PIPE
13	2K-4	WHEEL TURNING BAR

*WHEN ORDERING SPECIFY 1000 OR 540 R.P.M.

6 B1-C





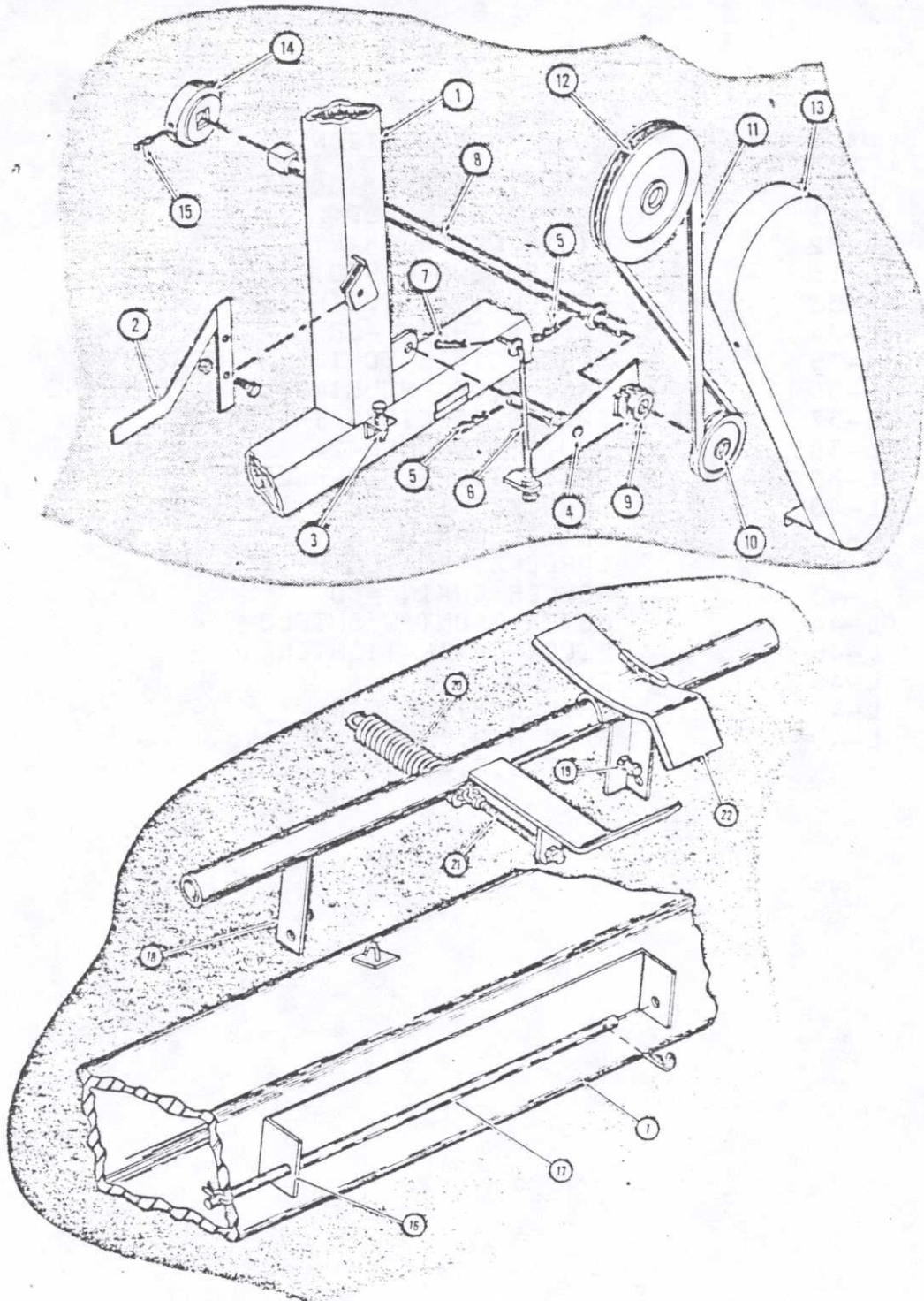


REWIND REPLACEMENT KIT
 R.C.S. 4-28-82
 SCALE NONE

A-8748

PLATFORM CONVEYOR

<u>ITEM</u>	<u>PART NO.</u>	<u>DESCRIPTION</u>
1	L-1	LOWER PLATFORM SECTION
2	L-2	UPPER PLATFORM SECTION
3	L-3	PLATFORM TRAILING WHEELS
4	L-4	AXLE
5	L-5	APRON CHAIN
6	L-6	APRON FLIGHT
	L-7	COMPLETE APRON CHAIN W/FLIGHTS
7	L-8	APRON CHAIN TAKE-UP
8	L-9	ADJUSTMENT BOLT
9	L-10	OPERATOR PLATFORM
10	L-11	LOWER SECTION SIDE PANEL R. & L.H.
11	L-12	UPPER SIDE PANEL R. & L.H.
12	L-13	PANEL EXTENSION R. & L.H.
13	L-14	TAKE-UP SPRING
14	2A-21	MAIN FRAME
15	L-15	PLATFORM CONVEYOR SUPPORTS
16	L-16	PILLOW BLOCK BRG. 1 $\frac{1}{4}$ " BORE
17	L-17	MIXER SHAFT-IDLER END
18	L-18	MIXER
19	L-19	TUNNEL ENCLOSER SHIELD
20	L-20	HOIST CABLE
21	L-21	HOIST ELECTRIC
22	L-22	HOIST COLUMN
23	L-23	SHEAVE/HOOK
24	L-24	LOWER SECTION BOOT BUMPER
25	L-25*	APRON LOWER SHAFT
26	L-26*	SPACER
27	L-27*	SPROCKET 5 TOOTH CUT DOWN 1 $\frac{1}{2}$ " BORE
28	L-28*	APRON UPPER SHAFT
29	L-29	SPROCKET 5 TOOTH
30	L-30	HINGE PIN
	*	PARTS HIDDEN FROM VIEW IN THIS DRAWING

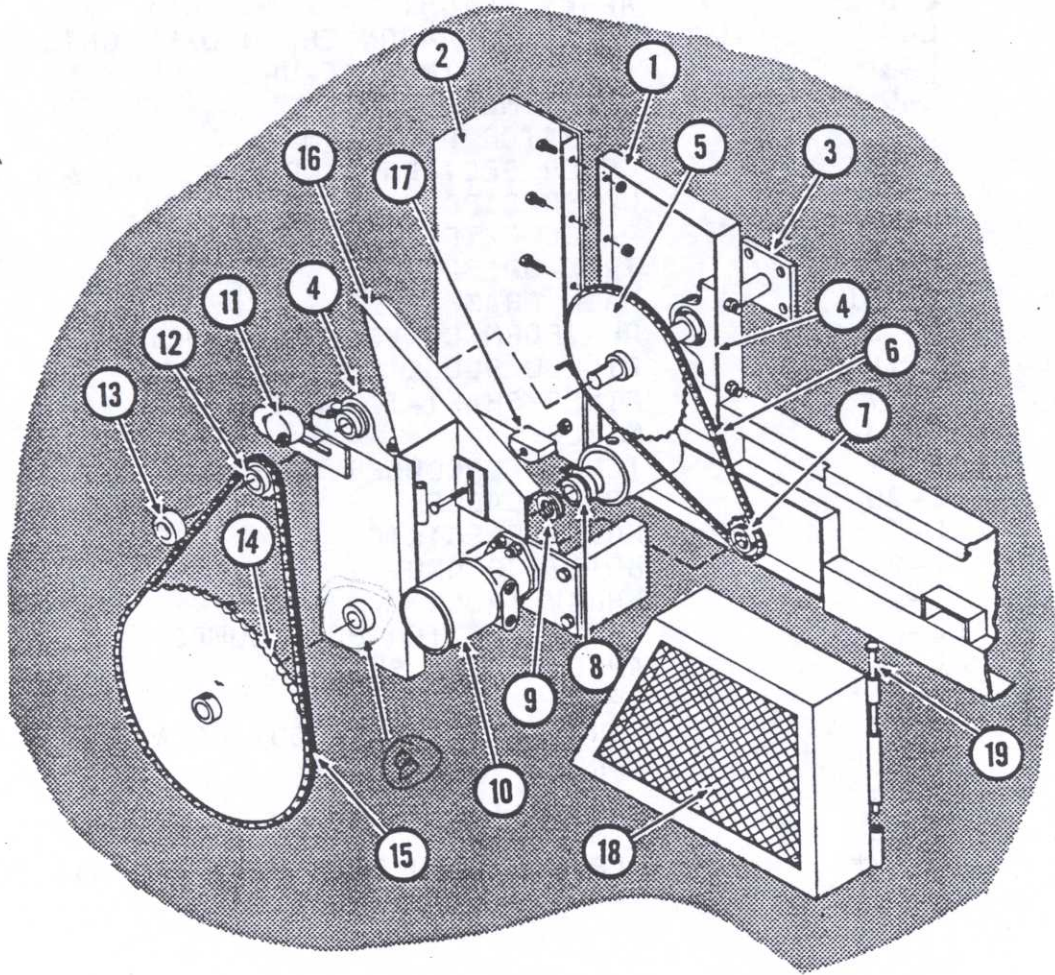


REWIND/CABLE GUIDE

ITEM	PART NO.	DESCRIPTION
1	2A-21	MAIN FRAME (TOWING END)
2	2C-15	HAND LEVER
3		ADJUSTMENT BOLT 3/8" HEX. HD. 1 1/2" Lg.
4	2C-16	OSCILLATING ASSY
5		HAIR PIN 3/16" x 3"
6	2C-17	CONTROL ROD
7		HAIR PIN 3/32" x 2"
8	2C-18	REWIND SHAFT
9	2C-19	BRG. 3/4" BORE
10	2C-20	6" PULLEY
11	2C-21	BELT
12	2C-22	10" PULLEY
13	2C-23	REWIND SHIELD
14	2C-24	REWIND COUPLER
15	2C-25	ALLEN SET SCREW 1/4" x 1/4"
16	2C-26	CABLE GUIDE MOUNTING BKT.
17	2C-27	MOUNTING BRACKET SHAFT
18	2C-28	CABLE GUIDE TENSION ASSY
19		ADJUSTMENT BOLT 5/16" HEX HD. 1 1/2" Lg.
20	2C-32	EXTENSION SPRING
21	2C-29	ADJUSTMENT BOLT-EXTENSION SPRING
22	2C-30	CABLE GUIDE (L.H. SHOWN)
	2C-31	CABLE GUIDE (R.H. NOT SHOWN)

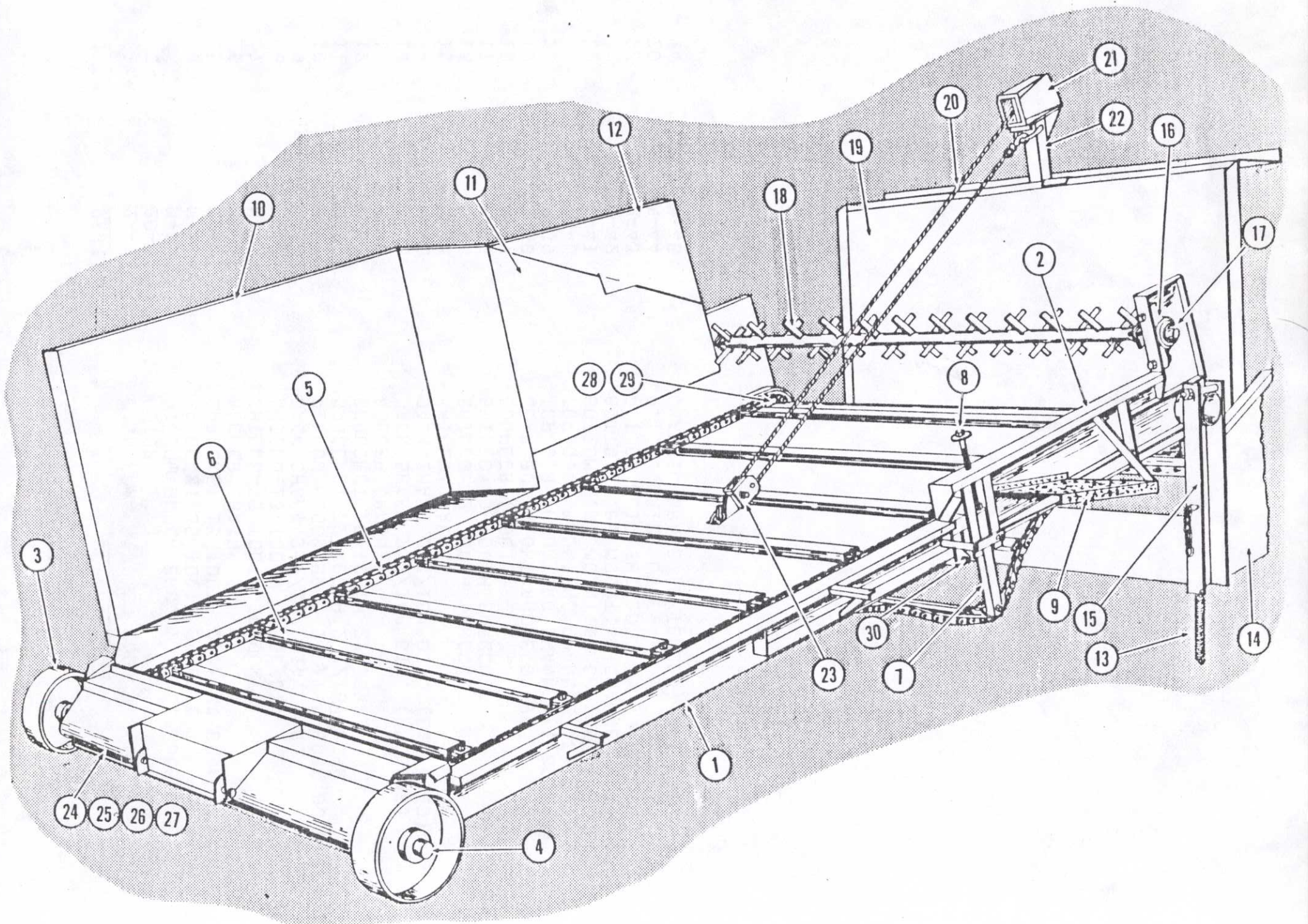
PLATFORM GEAR-UP

<u>ITEM</u>	<u>PART NO.</u>	<u>DESCRIPTION</u>
1	L-2	UPPER PLATFORM SECTION
2	L-31	SHIELD FLEXIBLE
3	L-32	MIXER POWER SHAFT
4	L-16	PILLOW BLOCK BRG. 1½" BORE
5	L-33	SPROCKET 48 TOOTH 1½" BORE
6	L-34	ROLLER CHAIN #60
7	L-35	SPROCKET 15 TOOTH BORE
8	L-36	BRG. STEEL HOUSING W/BR. BUSHING
9	L-37	SPACER SPECIFY THICKNESS
10	L-38	HYD. MOTOR MCB-24
11	L-39	CHAIN TIGHTENER-ROLLER
12	L-40	SPROCKET 12 TOOTH 1½" BORE
13	L-41	SET COLLAR
14	L-42	SPROCKET 80 TOOTH 1½" BORE
15	L-43	ROLLER CHAIN #60
16	L-44	MOTOR MOUNT W/SHIELD
17	L-45	BLOCK-CHAIN TIGHTENER
18	L-46	SHIELD
19	L-47	SHIELD HINGE PIN
20	L-48*	3/4" HYD. HOSE 180" Lg. ½" F.O.E.-3/4" S.O.E.



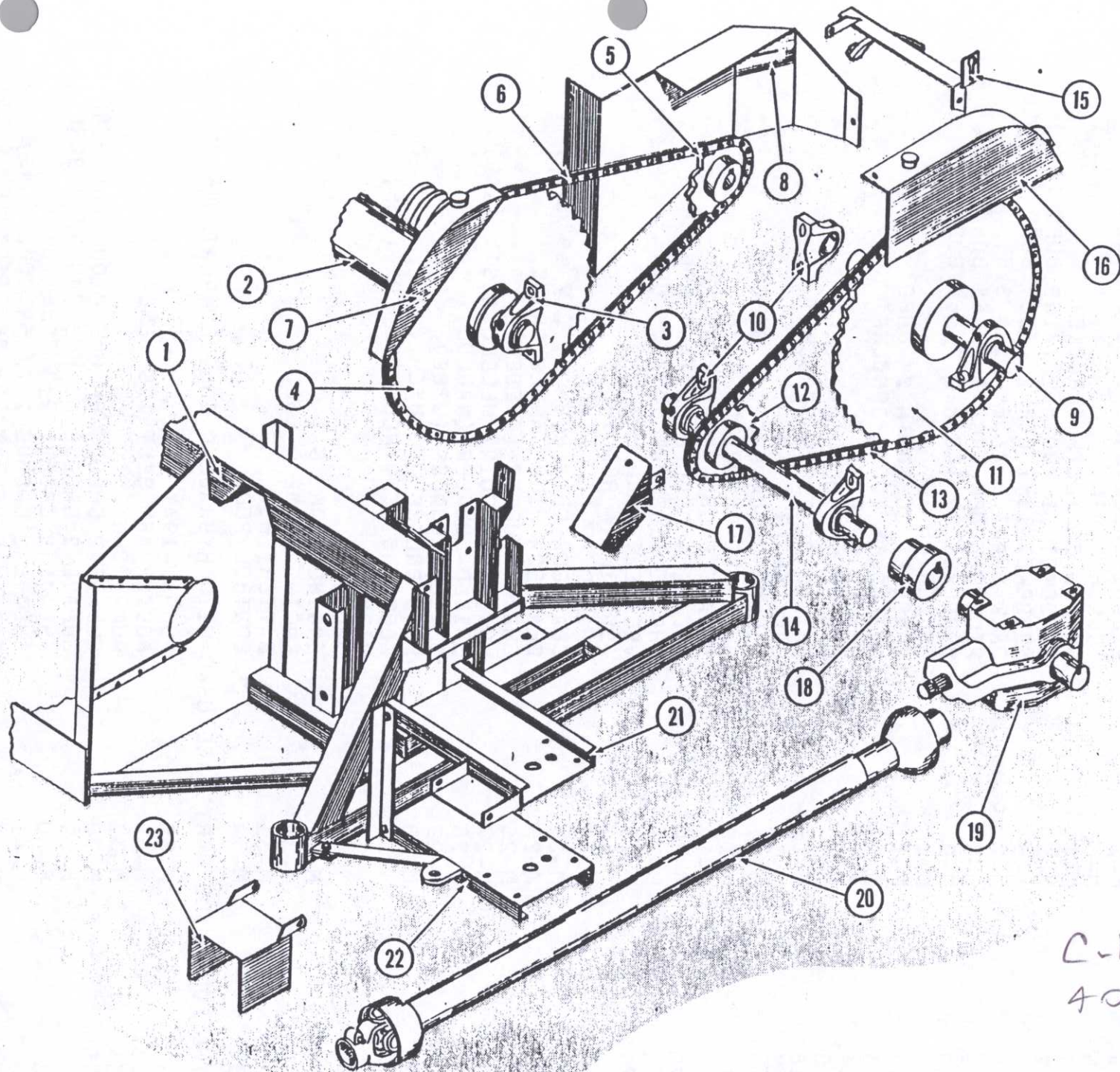
PLATFORM CONVEYOR

<u>ITEM</u>	<u>PART NO.</u>	<u>DESCRIPTION</u>
1	L-1	LOWER PLATFORM SECTION
2	L-2	UPPER PLATFORM SECTION
3	L-3	PLATFORM TRAILING WHEELS
4	L-4	AXLE
5	L-5	APRON CHAIN
6	L-6	APRON FLIGHT
	L-7	COMPLETE APRON CHAIN W/FLIGHTS
7	L-8	APRON CHAIN TAKE-UP
8	L-9	ADJUSTMENT BOLT
9	L-10	OPERATOR PLATFORM
10	L-11	LOWER SECTION SIDE PANEL R. & L.H.
11	L-12	UPPER SIDE PANEL R. & L.H.
12	L-13	PANEL EXTENSION R. & L.H.
13	L-14	TAKE-UP SPRING
14	2A-21	MAIN FRAME
15	L-15	PLATFORM CONVEYOR SUPPORTS
16	L-16	PILLOW BLOCK BRG. 1 $\frac{1}{4}$ " BORE
17	L-17	MIXER SHAFT-IDLER END
18	L-18	MIXER
19	L-19	TUNNEL ENCLOSER SHIELD
20	L-20	HOIST CABLE
21	L-21	HOIST ELECTRIC
22	L-22	HOIST COLUMN
23	L-23	SHEAVE/HOOK
24	L-24	LOWER SECTION BOOT BUMPER
25	L-25*	APRON LOWER SHAFT
26	L-26*	SPACER
27	L-27*	SPROCKET 5 TOOTH CUT DOWN 1 $\frac{1}{2}$ " BORE
28	L-28*	APRON UPPER SHAFT
29	L-29	SPROCKET 5 TOOTH
30	L-30	HINGE PIN
	*	PARTS HIDDEN FROM VIEW IN THIS DRAWING



P.T.O. POWERED UNIT

<u>ITEM</u>	<u>PART NO.</u>	<u>DESCRIPTION</u>
1	2A-21	MAIN FRAME (POWER END)
2	2D-32	ROTOR
3	M-2	PILLOW BLOCK BRG. 2 15/16" BORE
4	M-1	SPROCKET 35 TOOTH 8" BORE
5	M-6	SPROCKET 13 TOOTH 2 7/16" BORE
6	M-3	ROLLER CHAIN
7	M-4	SHIELD-35 TOOTH SPROCKET
8	M-12	SHIELD-13 TOOTH SPROCKET
9	M-7	JACK SHAFT 2 7/16" DIA. S.R.
10	M-8	PILLOW BLOCK BRG. 2 7/16" BORE DOUBLE ROW
11	M-9	SPROCKET 72 TOOTH 2 7/16" BORE
12	M-11	SPROCKET 20 TOOTH 2" BORE
13	M-10	ROLLER CHAIN
14	M-35	JACK SHAFT 2 7/16" DIA. (REGULAR)
	M-46	JACK SHAFT 2 7/16" DIA. (EXTENDED)
15	M-36	SHIELD BRACKET
16	M-14	SHIELD 72 TOOTH SPROCKET
17	M-15	SHIELD 20 TOOTH SPROCKET
18	M-37	COUPLER (SOLID)
19	M-38	GEAR BOX RIGHT ANGLE DRIVE
21	M-39	TOP G.B. MOUNTING CHANNEL (REGULAR)
	M-40	TOP G.B. MOUNTING CHANNEL (EXTENDED)
22	M-41	BOTTOM G.B. MOUNTING CHANNEL (REGULAR)
	M-42	BOTTOM G.B. MOUNTING CHANNEL (EXTENDED)
23	M-43	P.T.O. FLIP SHIELD
20	M-44	P.T.O. DRIVE LINE
24	M-45	CHANNEL BRACE (EXTENDED) NOT SHOWN



C-12-C
4050192

ENGINE POWERED UNIT

ITEM	PART NO.	DESCRIPTION
1	2A-21	MAIN FRAME (POWER END)
2	2D-32	ROTOR
3	M-1	SPROCKET 35 TOOTH 8" BORE
4	M-2	PILLOW BLOCK BRG. 2 15/16" BORE
5	M-3	ROLLER CHAIN
6	M-4	SHIELD 35 TOOTH SPROCKET
7	M-5	SPROCKET 11 TOOTH 2 7/16" BORE (GAS)
	M-6	SPROCKET 13 TOOTH 2 7/16" BORE (DIESEL)
8	M-7 4050180	JACK SHAFT 2 7/16" DIA. S.R. 1 5/4
9	M-8	PILLOW BLOCK BRG. 2 7/16" BORE DOUBLE ROW
10	M-9 1520750	SPROCKET 72 TOOTH 2 7/16" BORE
11	M-10	ROLLER CHAIN
12	M-11	SPROCKET 20 TOOTH 2" BORE
13	M-12	SHIELD 13 TOOTH SPROCKET
14	M-13	SHIELD BRACKET
15	M-14	SHIELD 72 TOOTH SPROCKET
16	M-15	SHIELD 20 TOOTH SPROCKET
17	M-16	JACK SHAFT 2" DIA.
18	M-17	PILLOW BLOCK BRG. 2" BORE
19	M-18	SHEAVE 5 GROOVE 2" BORE
	M-19	SHEAVE 6 GROOVE 2" BORE
20	M-20	SHEAVE 5 GROOVE 2 7/16" BORE
	M-21	SHEAVE 6 GROOVE 2 7/16" BORE
21	M-22	VEE BELT MACH SET (SPECIFY # REQUIRED)
22	M-23	SHIELD
23	M-24	GEAR BOX CENTER SHAFT 2 7/16" DIA.
24	M-25	GEAR BOX RIGHT ANGLE DRIVE
25	M-26	CHAIN COUPLER (DIESEL)
26	M-27	UNIVERSAL JOINT WELDED ASS'Y (GAS)
27	M-28	SHIELD-COUPLER (NARROW)
	M-29	SHIELD-COUPLER (WIDE)
28	M-30	FORD ENGINE W/CLUTCH (GAS) FORD ENGINE W/ROCKFORD BOX (GAS) DIESEL PROPANE
29	M-31	ENGINE FRAME GAS
	M-32	ENGINE FRAME DIESEL
30	M-33	BATTERY BOX
31	M-34	CONTROL ROD
THE FOLLOWING PARTS ARE USED WITH HYDRAULIC EQUIPED PLATFORM UNITS.		
32	M-35	PUMP W-194Y
33	M-36	ROCKER ARM BELT TIGHTENER
34	M-37	PUMP MOUNT
35	M-38	SHEAVE 2 GROOVE/BK HUB #100 3/4" BORE (GAS)
	M-39	SHEAVE 2 GROOVE/BK HUB #90 3/4" BORE (DIESEL)
36	M-40	SHEAVE 2 GROOVE 2 1/4" BORE (DIESEL)
	M-41	SHEAVE 2 GROOVE 2 7/16" BORE (GAS)
26	M-42	B-46 VEE BELT MATCH SET (SPECIFY #REQ'D)

NOTE: WHEN ORDERING REPLACEMENT PARTS ALWAYS GIVE SERIAL NUMBER & TYPE OF POWER EQUIPMENT IS OPERATING YOUR UNIT.

