



PARTS MANUAL

MODEL: G6070/G6070P
AgBag Silage Bagger

This parts manual is furnished for your convenience only. All parts must be purchased through an authorized dealer. Call us for a dealer near you.

42.0901805A



P O Box 127
511 East Main St.
St. Nazianz, WI 54232
(920) 773-2121
FAX: (920) 773-1200
Email: info@millerstn.com
www.ag-bag.com

Issue Date: 10/11

IMPORTANT!

For ongoing updates to this Parts Book

Visit us on the web at:

www.ag-bag.com

and click on PARTSMART web.

Check for new updates before placing any orders.

Order parts through your local dealer.



Table of Contents

Section 1 - Frame, Rotor, Cable Drums, Tunnel Top, Tunnel Extensions & Bag Boom	
1.01 Frame with Rotor & Cable Drums.....	6
1.01.1 Frame with Rotor & Cable Drums - G6070P.....	8
1.02 Tunnel Top Interchangeable, Tunnel Extensions & Bag Cradle.....	10
Section 2 - Wheels, Tires, Spindle & Hub Assembly	
2.01 Spindle & Hub Assembly - G6060, G6070 & G6070P.....	12
2.02 Wheels & Tires.....	14
Section 3 - Conveyor, Drive Assembly & Hopper Assembly	
3.01 Drive Assembly - Rotor.....	16
3.02 Hopper Assembly.....	18
3.03 Split Conveyor - G6060, G6070 & G6070P (S/N 42.04939 & Before).....	20
3.04 Split Conveyor (S/N 42.04940 & After).....	24
3.05 Lower Assembly, Split Conveyor - G6060, G6070 & G6070P (S/N 42.04940 & After).....	28
3.06 Single Conveyor.....	30
3.07 Conveyor Support/Slide Assembly, Split & Single Conveyor.....	34
3.08 Conveyor Lift Assembly - Manual.....	36
3.09 Hydraulic Conveyor Lift Kit - G6060, G6070 & G6070P.....	38
Section 4 - Brake Assembly, Cable Guide Assembly, & Bag Boom	
4.01 Brake Assembly - G6070 & G6070P.....	40
4.02 Cable/Guide Assembly.....	42
4.03 Bag Boom.....	44
Section 5 - Backstop & Jackstand	
5.01 Backstop, Steel.....	46
5.02 Jack Stand - G6060, G6070 & G6070P.....	48
Section 6 - Transport Lights, Safety Signs & Decals	
6.01 Transport Lights & Light Stand - G6060, G6070 & G6070P.....	50
6.02 Safety Signs & Decals - G6060, G6070 & G6070P.....	52
Section 7 - Gearbox	
7.01 Gearbox, Dual Output Aluminum.....	54
7.01.1 Gearbox, Dual Output Cast Iron.....	56
Section 8 - PTO Driveline	
8.01 PTO Transport Kit - G6060 & G6070.....	58
8.01.1 PTO Transport Assembly - G6070P.....	60
8.02 PTO Shaft - G6070 & (G6060 2009 Production & After).....	62
8.02.1 PTO Shaft - G6070P.....	64



Table of Contents (Continued)

Section 9 - Hydraulics & Breather Assembly

9.01 Hydraulic Drive Assembly - G6060 & G6070.....	66
9.02 Hydraulic Drive, PTO Shield Assembly - G6070.....	70
9.03 Breather Assembly, Planetary - G6070P.....	72

Section 10 - Miscellaneous Items, Options & Kits

10.01 Miscellaneous Items.....	74
10.02 Safety Chain Kit.....	76
10.03 Gandy, 45 lb. Dry Inoculant Applicator.....	78
10.04 Hydraulic Lift Kit - G6060, G6070 & G6070P.....	80
10.05 Gandy Option - G6060, G6070 & G6070P.....	82
10.06 Option: Conveyor Liner.....	84

Part Number Index.....	86
-------------------------------	-----------

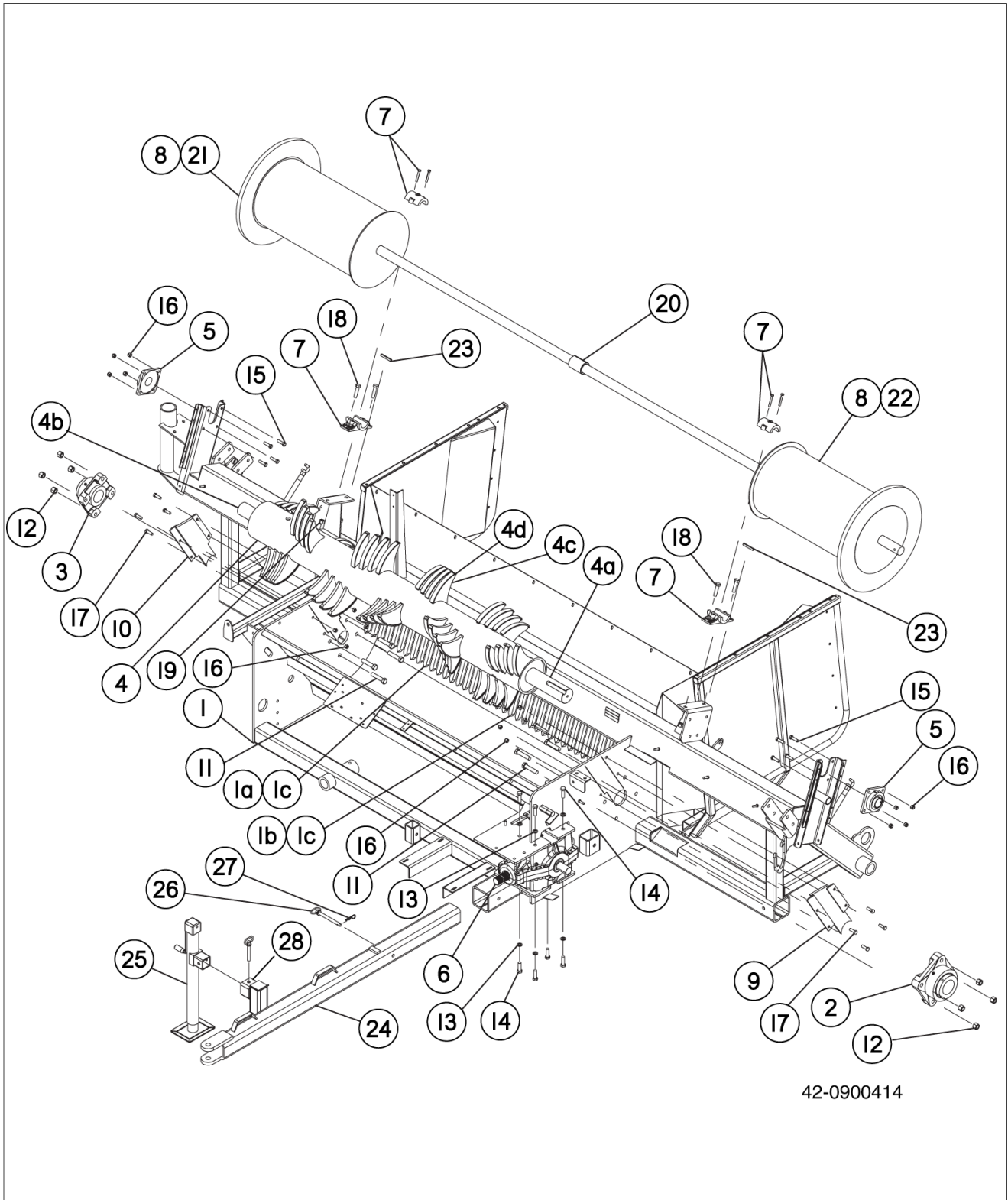
Part Description Index.....	89
------------------------------------	-----------



Table of Contents (continued)

This Page Intentionally Left Blank

1.01 Frame with Rotor & Cable Drums

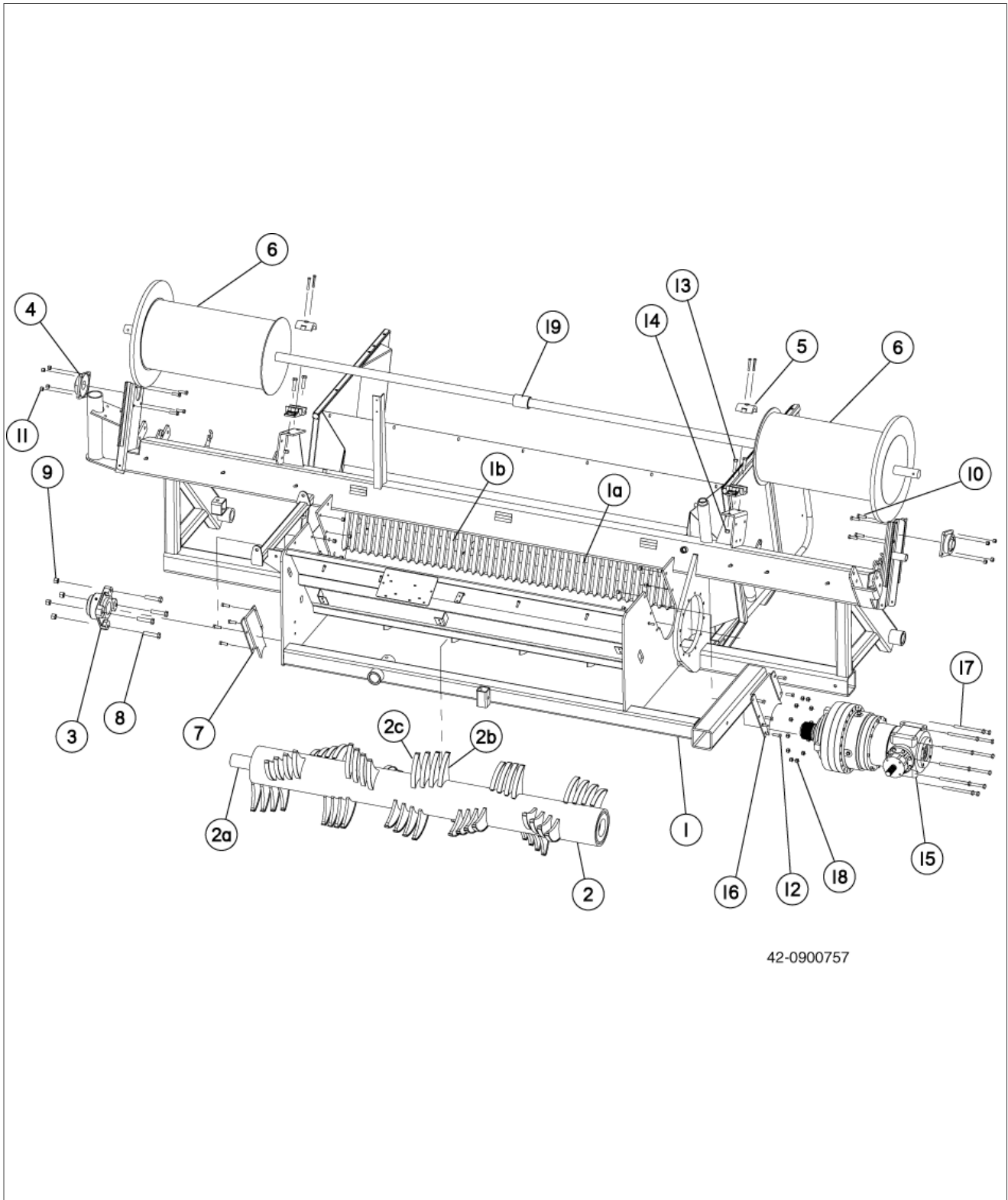


1.01 Frame with Rotor & Cable Drums

Item	Part No.	Quantity	Description
1	42.0900413	1	Frame Weldment
1a	42.0000093	AR	Stripper Plate - 45 in. Weld In (Non Gearbox End)
1b	42.0000094	AR	Stripper Plate - 35 in. Weld In G6060 (Gearbox End)
1c	42.0000095	AR	Stripper Plate - 33 in. Weld In (Gearbox End)
2	42.0900372	1	Bearing, Drive, 3-7/16 in. Spherical 4 Bolt Footed
3	42.0900371	1	Bearing, Drive, 2-15/16 in. 4 Bolt Footed - G6060 Only
4	42.0900863	1	Rotor + Four Teeth & Caps - (Weld Req'd)
4a	42.0900380	1	Stub Shaft Drive, Weld In
4b	42.6002008	1	Stub Shaft Idle, 2-15/16 in. Weld In
4c	42.1020018	56	Tooth Assembly w/Cap
4d	42.1020001	56	Cap, Rotor Tooth, Weld On
5	42.1510044	2	Bearing, 4 Bolt Flange
6	42.0901808	1	Gearbox, Dual Output Aluminum
	42.0901809	1	Gearbox, Dual Output Cast Iron
	42.0901809R	1	Gearbox, Dual Output Cast Iron Viton Rebuilt
7	42.1510047	2	Bearing, Split Babbit
8	42.0900246	2	Drum, Cable, w/Brake Flange, 7 Ft Rotor
9	42.0900445	1	Weldment, Rotor Access, Drive - G6070
10	42.0900447	1	Weldment, Rotor Access, Idle
11	904215	8	Bolt, Hex, 3/4-10 x 3-1/2 in. Gr 5
12	906349	8	Nut, Hex Lock, 3/4-10 Nylock
13	900508	8	Washer, Lock, 5/8 in. Yellow Zinc
14	904253	8	Bolt, Hex, 5/8-11 x 2 in. Gr 5
15	903518	8	Bolt, Hex, 1/2-13 x 1-3/4 in. Gr 5
16	906401	16	Nut, Hex Lock, 1/2-13 Nylock
17	903306	8	Bolt, Hex, 1/2-13 x 1-1/2 in. Gr 5
18	903832	4	Bolt, Hex, 5/8-11 x 2-1/2 in. Gr 5
19	906402	4	Nut, Hex Lock, 5/8-11 Nylock
20	42.6003021	1	Coupling, Cable Drum
21	42.6003024	1	Cable Drum, Non Brake Side, 6 Ft Rotor - G6060 Only
22	42.6003025	1	Cable Drum, Brake Side, 6 Ft Rotor - G6060 Only
23	01.73266	2	Key, Square, 3/8 in. x 3 in. Undersize
24	42.6011010	1	Hitch, Field, 10 Ft - G6070 & G6070P
25	42.1501398	1	Jack, Manual, 15 in. Square Mount
26	42.1550172	1	Pin, Hitch
27	05.73120	1	Pin, Hair
28	42.1501400	AR	Mount, (Weld On), Jack, Female Square Tubing

Section 1

1.01.1 Frame with Rotor & Cable Drums - G6070P

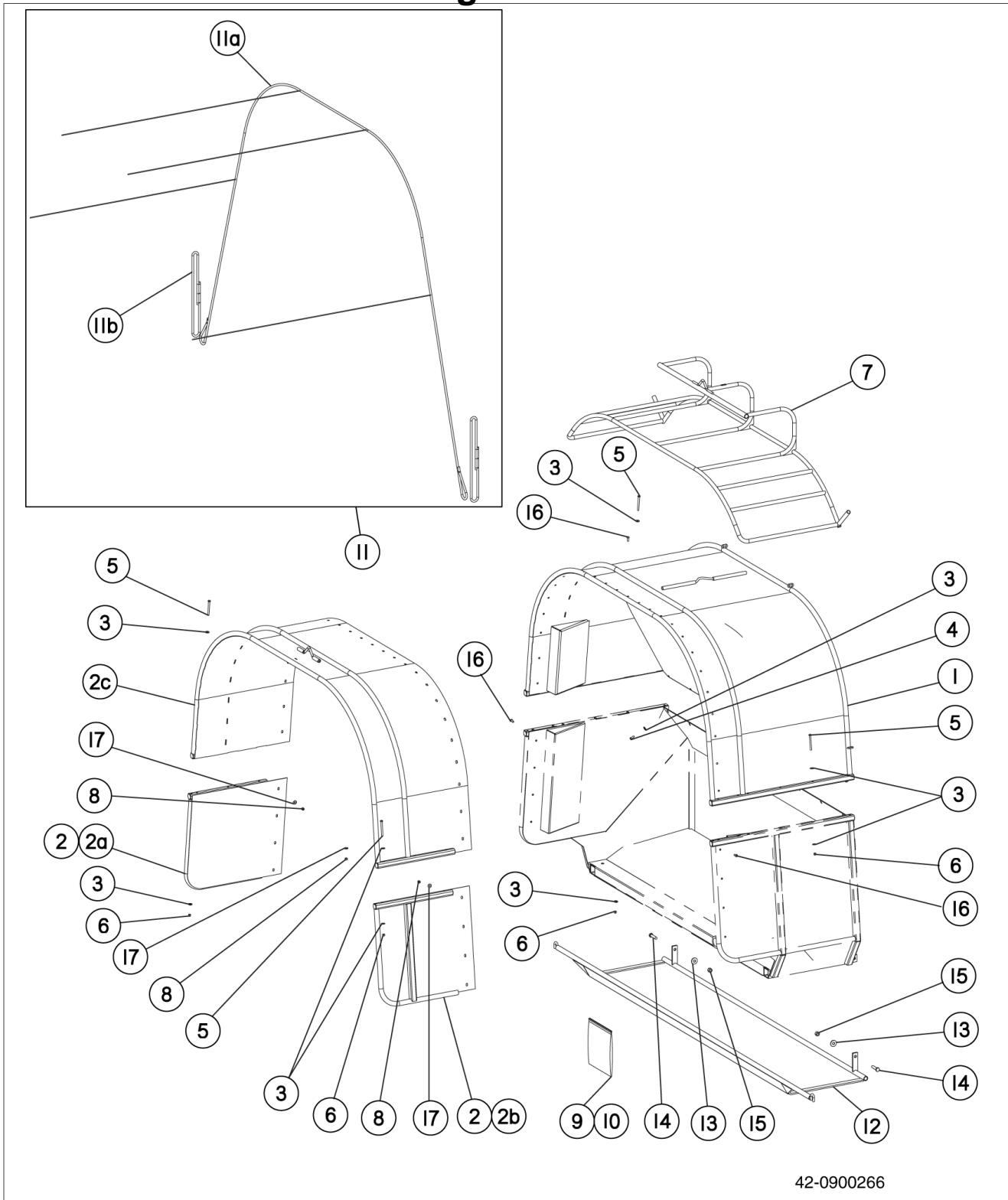


42-0900757

1.01.1 Frame with Rotor & Cable Drums - G6070P

Item	Part No.	Quantity	Description
1	42.0900756	1	Frame Weldment
1a	42.1000027	AR	Stripper Bar - 45 in. Weld In (Included In Item 1)
1b	42.1000001	AR	Stripper Bar - 35 in. Weld In (Included In Item 1)
2	16.0901679	1	Rotor + Four Teeth & Caps - G6070 Only (Weld Req'd)
2a	42.6002008	1	Stub Shaft Idle, 2-15/16 in. Weld In
2b	42.1020018	56	Tooth Assembly w/Cap
2c	42.1020001	56	Cap, Rotor Tooth, Weld On
3	42.0900371	1	Bearing, Idle, 2-15/16 in. 4 Bolt Footed
4	42.1510044	2	Bearing, 4 Bolt Flange
5	42.1510047	2	Bearing, Split Babbit
6	42.0900246	2	Drum, Cable, w/Brake Flange
7	42.0900447	1	Weldment, Rotor Access, Idle
8	904215	4	Bolt, Hex, 3/4-10 x 3-1/2 in. Gr 5
9	906349	3	Nut, Hex Lock, 3/4-10 Nylock
10	903518	8	Bolt, Hex, 1/2-13 x 1-3/4 in. Gr 5
11	906401	17	Nut, Hex Lock, 1/2-13 Nylock
12	903306	9	Bolt, Hex, 1/2-13 x 1-1/2 in. Gr 5
13	903832	4	Bolt, Hex, 5/8-11 x 2-1/2 in. Gr 5
14	906402	4	Nut, Hex Lock, 5/8-11 Nylock
15	42.0900415	1	Planetary, RR3500, 23.2:1 ML 120RA
16	42.0900775	1	Weldment, Rotor Access, Planetary
17	907808	12	Bolt, Hex, M14-2 x 180mm Gr 10.9
18	907809	12	Nut, Hex Lock, M14-2 CLS 10 Nylock
19	42.6003021	1	Coupling, Cable Drum

1.02 Tunnel Top Interchangeable, Tunnel Extensions & Bag Cradle

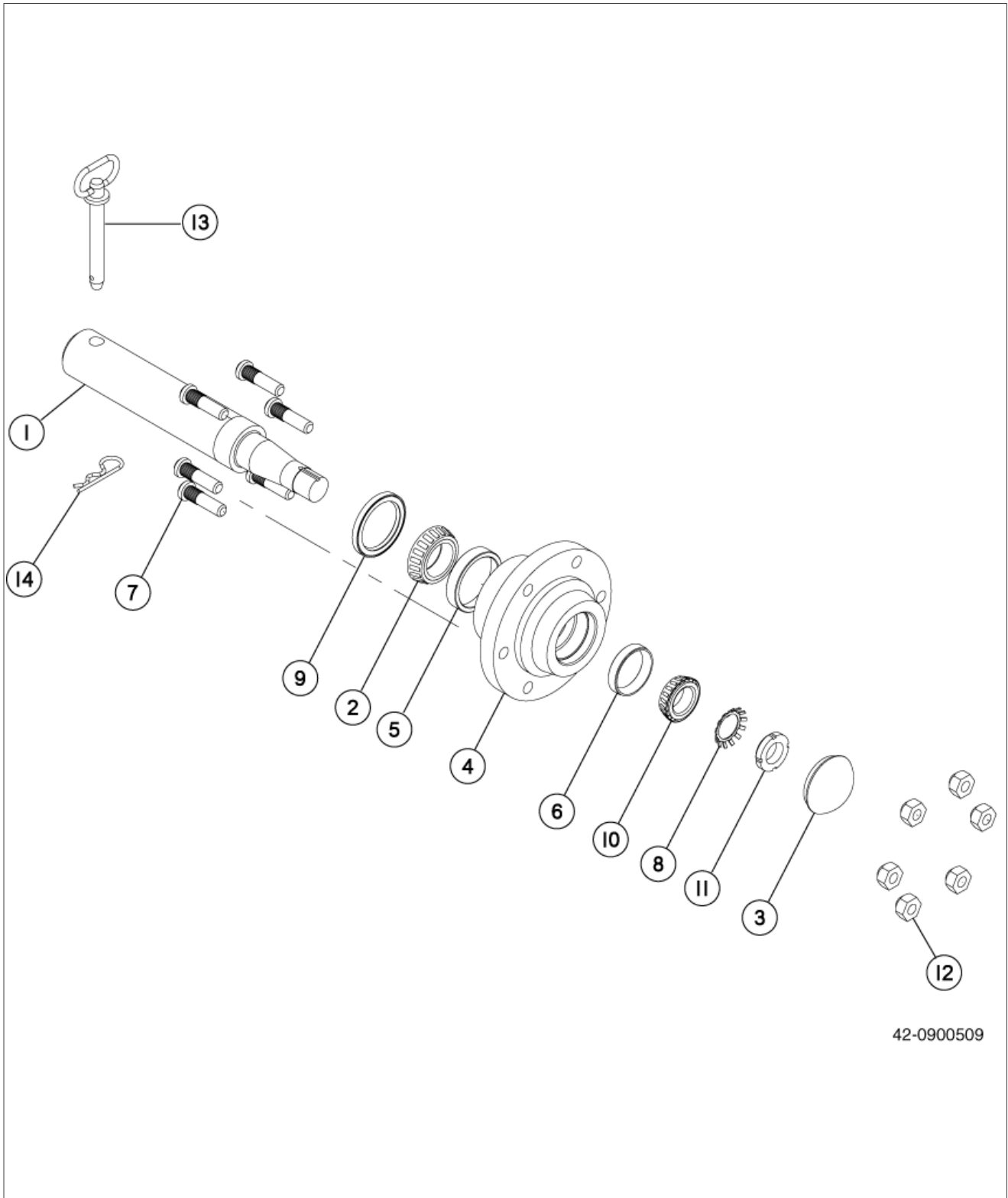


1.02 Tunnel Top Interchangeable, Tunnel Extensions & Bag Cradle

Item	Part No.	Quantity	Description
1	42.0901791	1	Tunnel Hood, 8` w/Decals - G6060 Only
	42.0901792	1	Tunnel Hood, 9` w/Decals- G6060 Only
	42.6006074	1	Tunnel Hood, 9` - G6070 & G6070P Only
	42.6006075	1	Tunnel Hood, 10` - G6070 & G6070P Only
2	42.6006087	Set	Tunnel Extension Base, 29 in. - G6060, G6070 & G6070P Only
	42.6006086	Set	Tunnel Extension Base, 18 in. - G6060, G6070 & G6070P Only
2a	42.6006113	1	Tunnel Extension Base, 29 in. - LH - G6060, G6070 & G6070P Only
2b	42.6006114	1	Tunnel Extension Base, 29 in. - RH - G6060, G6070 & G6070P Only
2c	42.6006077	1	Tunnel Extension, 8` x 29 in. - G6060 Only
	42.6006079	1	Tunnel Extension, 9` x 29 in. - G6060 Only
	42.6006081	1	Tunnel Extension, 10` x 29 in. - G6070 & G6070P Only
	42.6006085	1	Tunnel Extension, 9` x 29 in. - G6070 & G6070P Only
3	907465	41	Washer, Flat, 3/8 in. Wide Stainless Steel
4	907467	9	Bolt, Button Hd. 3/8-16 x 1 in. Stainless Steel
5	907689	16	Bolt, Hex, 3/8-16 x 4 in. Stainless Steel
6	907391	16	Nut, Hex Lock, 3/8-16 Nylock Stainless Steel
7	42.6006012	1	Cradle, Bag Boom, 8` & 9` - G6060 & PB6000 Only
	42.6006089	1	Cradle, Bag Boom, 10` - G6070 & G6070P Only
	42.6006088	1	Cradle, Bag Boom, 9` - G6070 & G6070P Only
8	906400	35	Nut, Hex Lock, 3/8-16 Nylock
9	42.0900373	1	Bolt Bag, Tunnel Extension (Consists Of Items: 8, 16 & 17)
10	42.0900562	1	Bolt Bag, Tunnel Hardware (Consists Of Items: 3 thru 6)
11	42.1560004	1	Kit, Bungee Cord (Consists Of Items 11a & 11b)
11a	42.1560000	1	Bungee Cord, Tunnel
11b	42.1560001	2	Bungee Cord, Bag Pan
12	42.6006037	1	Pan, Bag G6070 & G6070P Only
	42.6006005	1	Pan, Bag G6060 & PB6000
13	900498	2	Washer, Flat 5/8 in.
14	903832	2	Bolt, Hex, 5/8-11 x 2-1/2 in. Gr 5
15	906402	2	Nut, Hex Lock, 5/8-11 Nylock
16	907467	35	Bolt, Button Hd. 3/8-16 x 1 in. Stainless Steel
17	907465	35	Washer, Flat, 3/8 in. Wide Stainless Steel

Section 2

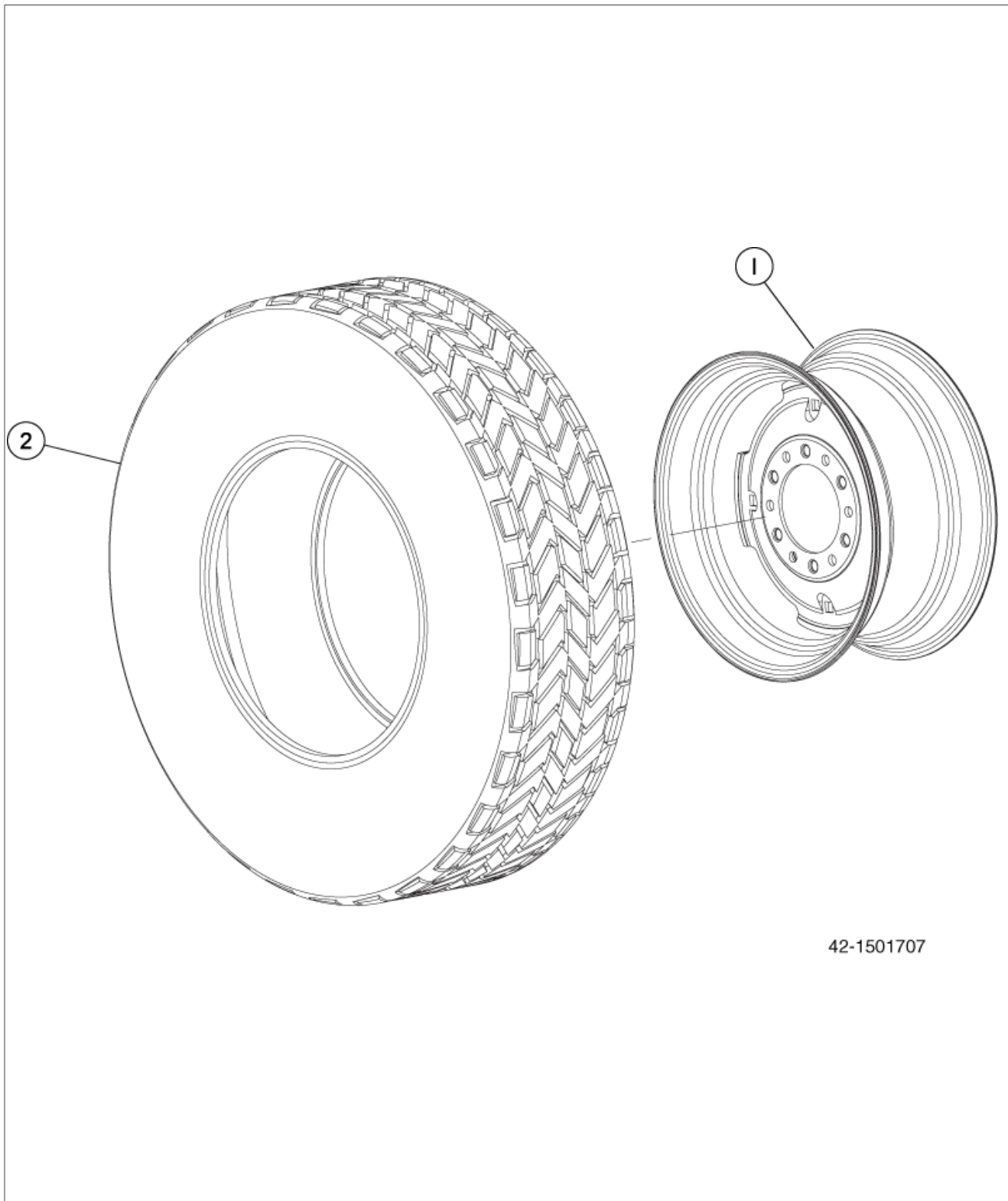
2.01 Spindle & Hub Assembly - G6060, G6070 & G6070P



2.01 Spindle & Hub Assembly - G6060, G6070 & G6070P

Item	Part No.	Quantity	Description
1	42.1010034	1	Spindle, Single, 2-1/4 x 14-7/8 in. Std.
2	901150	1	Cone, Roller Bearing, 1-5/8 in.
3	902410	1	Cap, Dust
4	42.0900375.8	1	Hub Assembly With Cups & Studs
5	901151	1	Cup, Bearing, Inner
6	901182	1	Cup, Bearing, Outer
7	907757	6	Stud, Wheel, 9/16-18 x 2-1/8 in.
8	42.1550228	1	Washer, Lock, External Tooth
9	42.1500377	1	Oil Seal, 2.25 I.D.
10	901181	1	Cone, Roller Bearing, 1-1/4 in.
11	42.1550136	1	Nut, Slotted Lock, NO6 Zinc Plated
12	905050	6	Lug Nut, 9/16-18
13	42.1150171	1	Pin, Hitch, .625 Dia x 4 in.
14	05.73120	1	Pin, Hair, 5/32 x 2-15/16 in. Zinc Plated

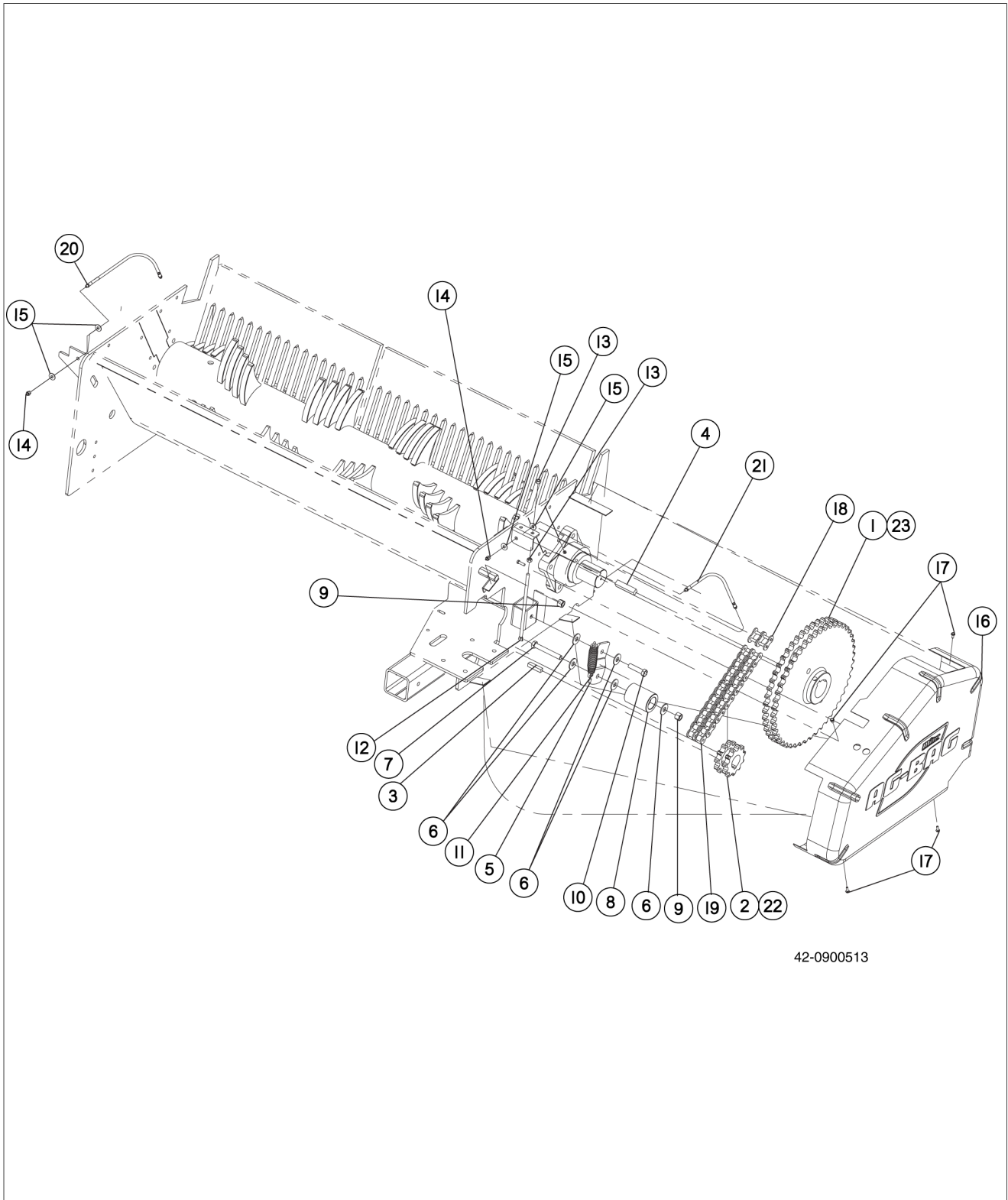
2.02 Wheels & Tires



2.02 Wheels & Tires

Item	Part No.	Quantity	Description
1	42.0900181	2	Wheel, 15 x 6 PB6000
	42.1500329	2	Wheel, 16 x 6 G6060
	42.0900165	2	Wheel, 16 x 8 G6070 & G6070P
2	42.0900190	2	Tire, 9.5L x 15 Farm Implement, PB6000
	42.0900191	2	Tire, 235/85R16, G6060
	42.0900192	2	Tire, 265/75R16, G6070 & G6070P

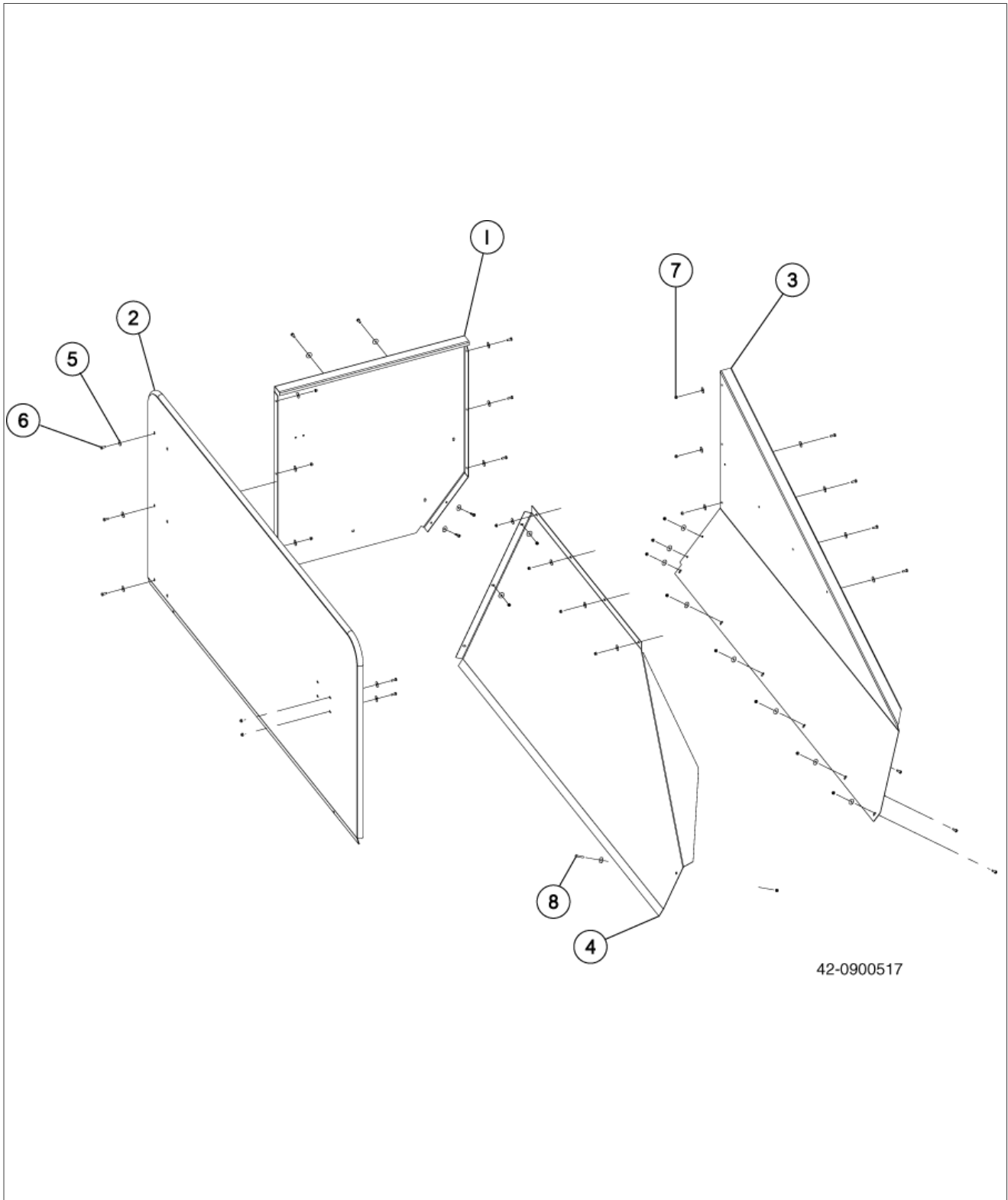
3.01 Drive Assembly - Rotor



3.01 Drive Assembly - Rotor

Item	Part No.	Quantity	Description
1	42.0900377	1	Sprocket, 120-2B48, 3-7/16 in. Bore, 7/8 in. Key - G6070 Only
	42.0901587	1	Sprocket, 120-2B42, 3-7/16 in. Bore, 7/8 in. Key - (G6060 S/N 42.05168 & After)
	42.1520124	1	Sprocket, 120-2B42, 2-15/16 in. Bore, 3/4 in. Key - (G6060 S/N 42.05167 & Before) & PB6000 Only
2	42.1520664	1	Sprocket, 120-2A11, 2-7/16 in. Bore, 5/8 in. Keyway
3	42.6002002	1	Key, 5/8 x 5/8 x 2-3/4 in.
4	907688	1	Key, Sq, 7/8 x 7/8 x 4 in. - G6070 & (G6060 S/N 42.05168 & After)
	42.4070028	1	Key, Sq, 3/4 x 3/4 x 4 in. - (G6060 S/N 42.05167 & Before) & PB6000 Only
5	42.0900056	1	Bar, Adjustable Chain Tensioner
6	900499	5	Washer, Flat, 3/4 in.
7	906339	1	Bolt, Hex, 3/4-10 x 5-3/4 in.
8	42.6002007	1	Tensioner, Rotor Chain
9	906349	2	Nut, Hex Lock, 3/4-10 Nylock
10	09.71756	1	Bolt, Hex, 3/4-10 x 3 in. Gr 5
11	42.1500483	1	Spring, Extension
12	42.0900174	1	Rod, Chain Tensioner
13	900369	2	Nut, Hex, 1/2-13
14	905501	2	Zerk, Grease, 1/8 NPT Female
15	900496	8	Washer, Flat, 7/16 in.
16	42.0901519	1	Guard, Rotor Chain - G6070 Only
	42.0901518	1	Guard, Rotor Chain - G6060 & PB6000 Only
17	09.71112	4	Bolt, Hex, 5/16-18 x 3/4 in. Gr 5 Special
18	42.1520068	1	Link, #120-2 Connector UST
	42.1520086	AR	Link, Offset, #120-2
19	42.1520757	1	Chain, Roller, #120-2, 7.875 Ft, 63 P, UST - G6070 Only
	42.1520005	1	Chain, Roller, #120-2 59P - G6060 & PB6000 Only
20	42.1501518	1	Whip, Grease, 3/16 x 28 in.
21	42.1502166	1	Whip, Grease, 3/16 x 21 in.
22	907725	2	Setscrew, 3/4-10 x 3/4 in.
23	907777	2	Setscrew, 5/8-11 x 5/8 in.

3.02 Hopper Assembly

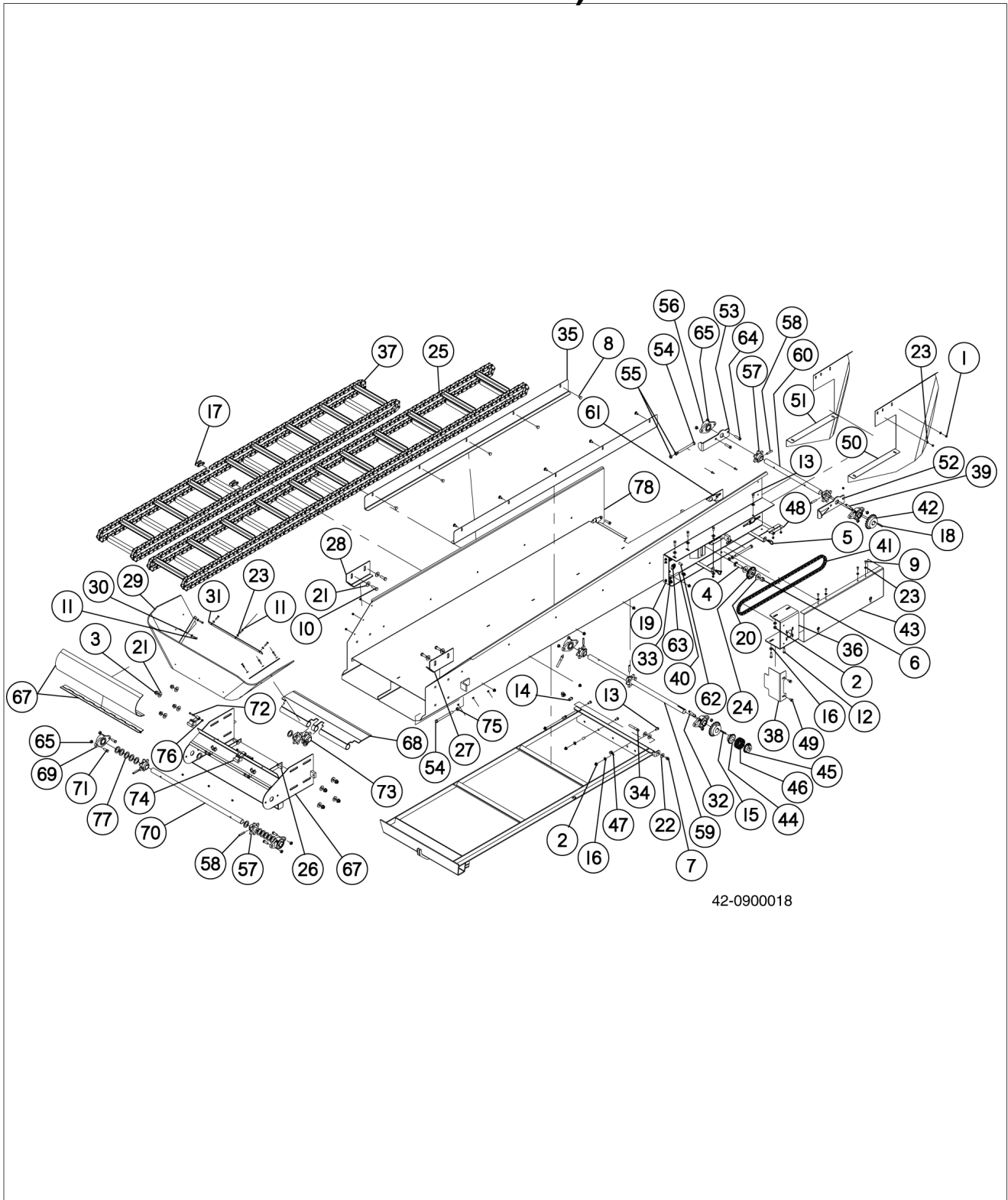


3.02 Hopper Assembly

Item	Part No.	Quantity	Description
1	42.6012018	1	Panel, Hopper Extension, Right Side
2	42.6012011	1	Plate, Face, 86 in.
3	42.6000127	1	Panel, Hopper Extension, Front 7 Ft - G6070 & G6070P Only
	42.0901790	1	Panel, Hopper Extension, Front 6 Ft w/Decals - G6060 & PB6000 Only
4	42.0900062	1	Panel, Sloped, Hopper 7 Ft - G6070 & G6070P Only
	42.0900061	1	Panel, Sloped, Hopper 6 Ft - G6060 & PB6000 Only
5	907234	37	Washer, Flat, 1/4 in. Stainless Steel - G6070 & G6070P Only
	907234	34	Washer, Flat, 1/4 in. Stainless Steel - G6060 & PB6000 Only
6	907270	22	Bolt, Hex, 1/4-20 x 3/4 in. Stainless Steel - G6070 & G6070P Only
	907270	20	Bolt, Hex, 1/4-20 x 3/4 in. Stainless Steel - G6060 & PB6000 Only
7	907389	23	Nut, Hex Lock, 1/4-20 Nylock Stainless Steel - G6070 & G6070P
	907389	21	Nut, Hex Lock, 1/4-20 Nylock Stainless Steel - G6060 & PB6000
8	907614	1	Bolt, Button Hd, 1/4-20 x 1-1/2 in. Stainless Steel

Section 3

3.03 Split Conveyor - G6060, G6070 & G6070P (S/N 42.04939 & Before)



3.03 Split Conveyor - G6060, G6070 & G6070P (S/N 42.04939 & Before)

Item	Part No.	Quantity	Description
1	907784	16	Nut, Hex Flange Lock, 1/4-20 Nylock Yellow Zinc
2	907779	21	Nut, Hex Flange Lock, 3/8-16 Nylock Yellow Zinc
3	907399	8	Nut, Hex Flange Lock, 1/2-13 Nylock
4	906548	1	Bolt, Carriage, Short Neck, 5/8-11 x 2-1/2 in. Gr 5
5	906492	2	Latch
6	906402	1	Nut, Hex Lock, 5/8-11 Nylock
7	905501	1	Grease Zerk, 1/8 in. NPT Female
8	905354	10	Bolt, Carriage, 3/8-16 x 3/4 in. Gr 5 Yellow Zinc
9	903824	7	Bolt, Hex, 1/4-20 x 5/8 in. Gr 5
10	903306	4	Bolt, Hex, 1/2-13 x 1-1/2 in. Gr 5
11	903033	9	Bolt, Hex, 1/4-20 x 1 in. Gr 5 Yellow Zinc
12	902367	4	Bolt, Hex, 3/8-16 x 1-1/4 in. Gr 5
13	902364	6	Bolt, Hex, 3/8-16 x 3/4 in. Gr 5
14	902300	1	Bolt, Hex, 3/8-16 x 1 in. Gr 5 Yellow Zinc
15	901172	1	Key, Square, 1/4 in. x 2 in.
16	901105	12	Washer, Flat, 3/8 in. SAE
17	900709	2	Link, #CA550 Offset
18	900549	1	Key, Square, 1/4 in. x 1-3/4 in.
19	900537	3	Fitting, grease, 1/8 PTF
20	900498	2	Washer, Flat, 5/8 in.
21	900497	12	Washer, Flat, 1/2 in.
22	900496	3	Washer, Flat, 7/16 in.
23	900493	15	Washer, Flat, 1/4 in. SAE Yellow Zinc
24	900188	1	Sprocket, Idler, 50B17, .643 in. Bore
25	42.6008077	1	Chain, Long w/Weld On Flight
26	42.6008104	2	Bracket, Conveyor Nose Cone
27	42.6008073	1	Guide, Conveyor Chain, Top RH
28	42.6008072	1	Guide, Conveyor Chain, Top LH
29	42.6008052	1	Skirt, Conveyor, 20 in. x 60 in.
30	42.6008021	2	Strip, Conveyor Skirting, Side
31	42.6008020	1	Strip, Conveyor Skirting, Center
32	42.1502166	2	Whip, Grease, 3/16 in. x 21 in.
33	42.1501611	3	Adaptor, #2 MP x #2 FPS
34	42.1501519	2	Hose, Grease, 3/16 in. x 40 in.
35	42.0900567	2	Hold Down, Conveyor Chain
36	42.0900020	1	Mount, Hydraulic Motor
37	42.0900019	1	Apron, Short, 16 Slat
38	42.0900009	1	Shield, Motor
39	42.0900007	2	Hose, Grease, 3/16 in. x 32 in.
40	42.0900006	2	Hose, Grease, 3/16 in. x 47 in.
41	42.0900005	1	Chain, Roller, #50, 114 Pitches

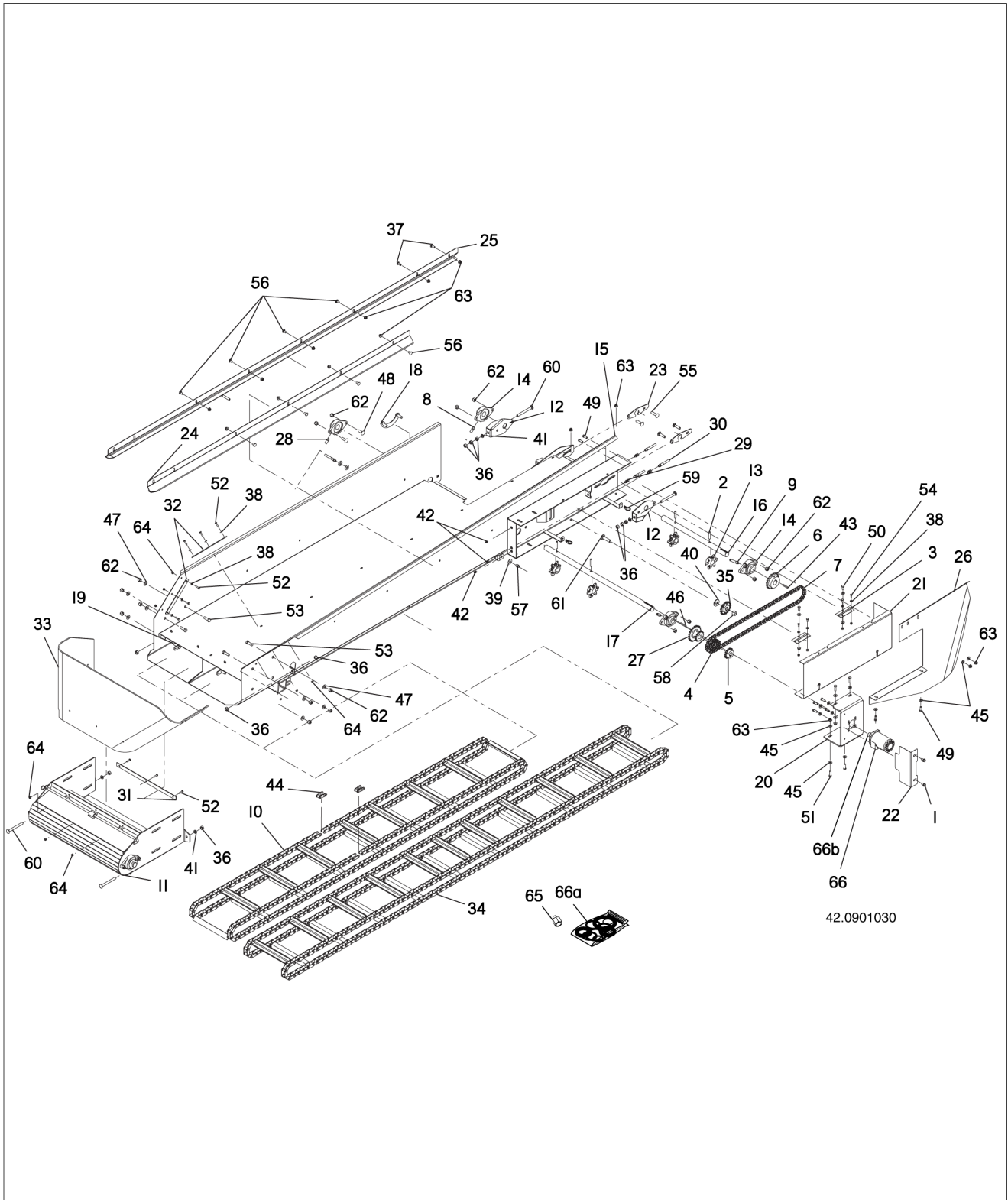
Section 3

3.03 Split Conveyor - G6060, G6070 & G6070P (S/N 42.04939 & Before)

Item	Part No.	Quantity	Description
42	42.0900004	2	Sprocket, 50B20, 1.25 in. Bore
43	42.0000101	1	Shield
44	341077B1	1	Sprocket, 40B16, 1.25 in. Bore
45	303629B1	1	Sprocket, 40B16, 1 in. Bore
46	22.00188	1	Chain, #40-2, 16 Pitches w/ Connector
47	17.00650	4	Clamp, Single, .63 in. ID
48	16.20144.5	2	Hinge, Beater Shield
49	09.71251	2	Bolt, Hex Washer Hd, 3/8-16 x 3/4 in. Gr 5
50	42.0901687	1	Deflector, 2 Stage Conveyor G6070 & G6070P
51	42.0901796	1	Deflector, 2 Stage Conveyor w/Decals G6060
52	42.0900035	1	Adjuster, Bearing LH
53	42.0900034.5	1	Adjuster, Bearing RH
54	907400	4	Bolt, Hex, 1/2-13 x 6 in. Gr 5 Full Thread
55	901763	4	Nut, Jam 1/2-13
56	42.6008088	4	Bearing, 2 Bolt Flange 1-1/4 in.
57	42.1520773	6	Sprocket, N58, 6 Tooth, 1-1/4 in. Bore
58	09.72010	6	Pin, Roll, 3/8 in. x 2 in.
59	42.0900036	1	Shaft, 1-1/4 in. x 36-1/2 in. Drive
60	42.0900037	1	Shaft, 1-1/4 in. x 21 in. Drive
61	42.0900038	2	Plate, Bearing Mount
62	601312	4	Bolt, Hex, 7/16 in. x 1-1/2 in. Gr 5
63	42.0900583	2	Plate, Bearing Mount Welded
64	906243	4	Bolt, Hex, 7/16 in. x 1-3/4 in. Gr 5
65	900972	4	Nut, Hex Center Lock, 7/16-14
67	42.0901262	1	Conveyor Adjuster End Weldment
68	42.6008089	1	Guard, Conveyor Idle Shaft
69	42.6008088	2	Bearing, 2 Bolt Flange, 1-1/4 in.
70	42.0900045	1	Shaft, 1-1/4 in. x 34-1/2 in.
71	904871	4	Bolt, Hex, 7/16-14 x 1-1/4 in. Gr 5
72	907060	2	Bolt, Hex, 1/4-20 x 1-3/4 in. Gr 5
73	42.0901271	4	Sprocket, N58, 6 Tooth, Idle 1-1/4 in. Bore
74	904520	2	Hook, Cover (Rubber)
75	900369	2	Nut, Hex, 1/2-13
76	907389	2	Nut, Hex Lock, 1/4-20 Nylock Stainless Steel
77	09.70985	14	Washer, Flat, 1-1/4 in. x 1-7/8 in.
78	42.0901263	1	Weldment, Conveyor, Split w/ H Frame (Includes Items 52 thru 64)

This Page Intentionally Left Blank

3.04 Split Conveyor (S/N 42.04940 & After)



3.04 Split Conveyor (S/N 42.04940 & After)

Item	Part No.	Quantity	Description
1	09.71251	2	Bolt, Hex Washer Hd, 3/8-16 x 3/4 in. Gr 5
2	09.72010	4	Pin, Roll, 3/8 in. x 2 in.
3	16.20144.5	2	Hinge, Beater Shield
4	22.00188	1	Chain, #40-2, 16 Pitches w/ Connector
5	303629B1	1	Sprocket, 40B16, 1 in. Bore
6	42.0900004	2	Sprocket, 50B20, 1.25 in. Bore
7	42.0900005	1	Chain, Roller, #50, 114 Pitches
8	42.0900006	1	Hose, Grease, 3/16 in. x 47 in.
9	42.0900007	1	Hose, Grease, 3/16 in. x 32 in.
10	42.0900019	1	Apron, Short, 16 Slat
11	NSS	1	Conveyor Lower Assembly - Not Serviced Separately Refer to Lower Assembly Split Conveyor Page for Parts Breakdown
12	42.0901011	2	Adjuster, Chain
13	42.0901014	4	Sprocket, CA550, 6 Tooth
14	42.0901019	4	Bearing, R-Liube, 1-1/4 in. 2 Bolt
15	42.0901020	1	Weldment, Conveyor
16	42.0901022	1	Shaft, RH Drive
17	42.0901023	1	Shaft, 1.25 in., LH
18	42.0901035	1	Bracket, Bearing Bolts
19	42.0901037	2	Bracket, w/Bolts, Adjuster
20	42.0901393	1	Mount, Bracket, Drive Motor
21	42.0901394	1	Cover, Drive Chain
22	42.0901397	1	Shield, Motor
23	42.0901402	2	Plate, Bearing Mount
24	42.0901438	1	Hold Down, Conveyor Chain, Short
25	42.0901439	1	Hold Down, Conveyor Chain, Long
26	42.0901770	1	Deflector, 2 Stage Conveyor w/Decal
27	42.0901688	1	Sprocket, DBL
28	42.1501519	1	Hose, Grease, 3/16 in. x 40 in.
29	42.1501611	3	Adaptor, #2 MP x #2 FPS
30	42.1502166	1	Whip, Grease, 3/16 in. x 21 in.
31	42.6008020	1	Strip, Conveyor skirting, Center
32	42.6008021	2	Strip, Conveyor Skirting, Side
33	42.6008052	1	Skirt, Conveyor, 20 in. x 60 in.
34	42.6008077	1	Chain, Conveyor, Long w/Weld On Flight
35	900188	1	Sprocket, Idler, 50B17, .643 in. Bore
36	900369	12	Nut, Hex, 1/2-13
37	900480	2	Bolt, Carriage, 3/8-16 x 1 in.
38	900493	13	Washer, Flat, 1/4 in. SAE Yellow Zinc
39	900496	3	Washer, Flat, 7/16 in.
40	900498	1	Washer, Flat, 5/8 in.
41	900506	4	Washer, Lock, 1/2 in.

Section 3

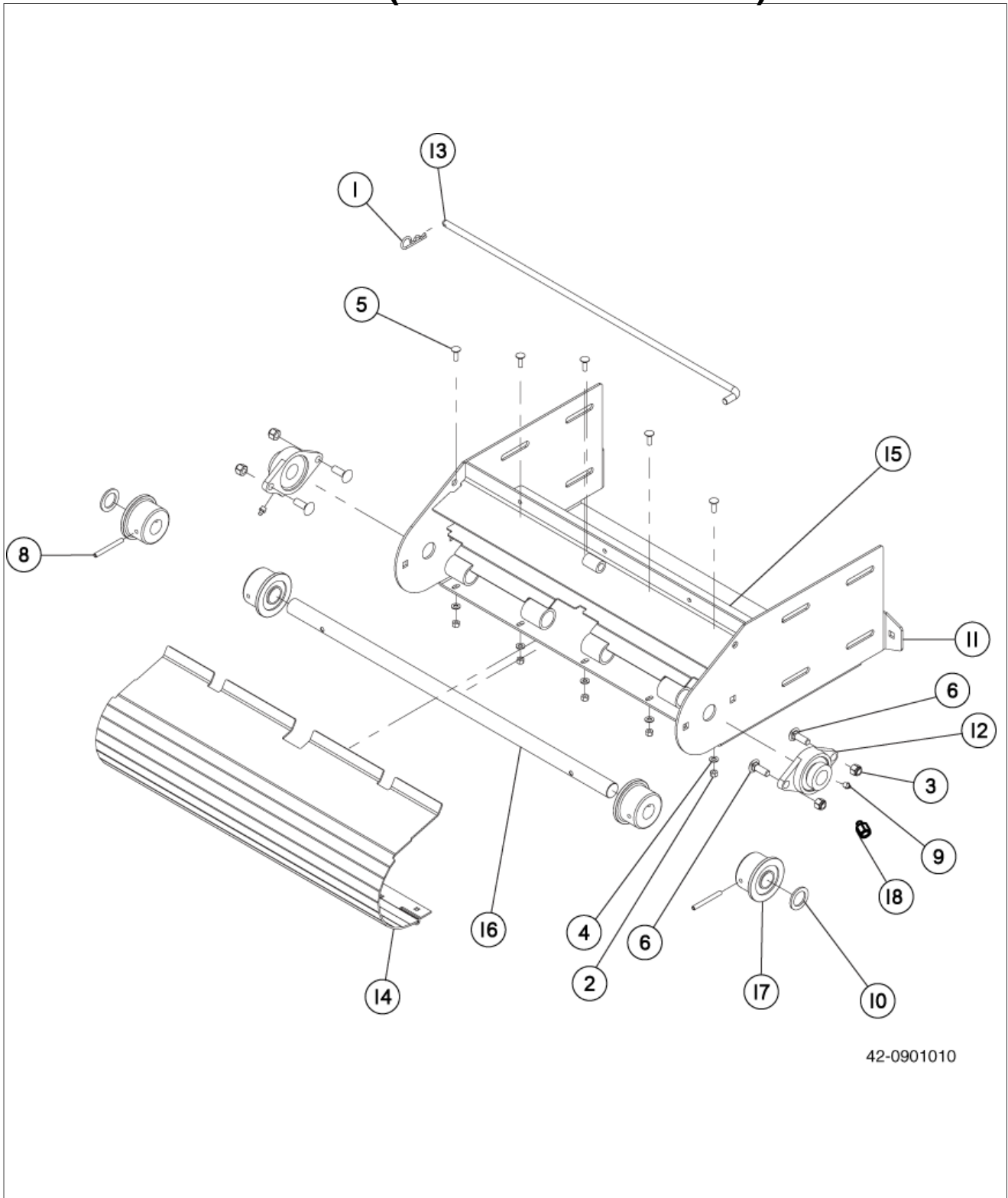
3.04 Split Conveyor (S/N 42.04940 & After)

Item	Part No.	Quantity	Description
42	900537	3	Fitting, Grease, 1/8 PTF
43	900549	1	Key, Square, 1/4 in. x 1-3/4 in.
44	900709	2	Link, #CA550 Offset
45	901105	18	Washer, Flat, 3/8 in. SAE
46	901172	1	Key, Square, 1/4 in. x 2 in.
47	901937	8	Washer, Flat, 1/2 in.
48	908333	4	Bolt, Carriage, 1/2-13 x 1-1/2 in. Gr 5 Short Neck
49	902300	8	Bolt, Hex, 3/8-16 x 1 in. Gr 5 Yellow Zinc
50	902364	2	Bolt, Hex, 3/8-16 x 3/4 in. Gr 5
51	902367	4	Bolt, Hex, 3/8-16 x 1-1/4 in. Gr 5
52	903033	9	Bolt, Hex, 1/4-20 x 1 in. Gr 5 Yellow Zinc
53	903306	4	Bolt, Hex, 1/2-13 x 1-1/2 in. Gr 5
54	903824	4	Bolt, Hex, 1/4-20 x 5/8 in. Gr 5
55	904744	4	Bolt, Carriage, 1/2-13 x 2 in. Gr 5
56	905354	8	Bolt, Carriage, 3/8-16 x 3/4 in. Gr 5 Yellow Zinc
57	905501	1	Grease Zerk, 1/8 NPT Female
58	906402	1	Nut, Hex Lock, 5/8-11 Nylock
59	906492	2	Latch
60	906537	4	Bolt, Carriage, 1/2-13 x 5 in. Gr 5
61	906548	1	Bolt, Carriage, Short Neck, 5/8-11 x 2-1/2 in. Gr 5
62	907392	16	Nut, Hex Lock, 1/2-13 Nylock Stainless Steel
63	907779	20	Nut, Hex Flange Lock, 3/8-16 Nylock Yellow Zinc
64	907784	13	Nut, Hex Flange Lock, 1/4-20 Nylock Yellow Zinc
65	42.1541519	AR	Adapter (For Bearing With 1/4-28 Thread)
66	42.1541780	1	Motor, Hydraulic, Conveyor
66a	16.21179	AR	Seal Kit
66b	42.0901800	1	Key, Shaft (Hydraulic Motor)

This Page Intentionally Left Blank

Section 3

3.05 Lower Assembly, Split Conveyor - G6060, G6070 & G6070P (S/N 42.04940 & After)



3.05 Lower Assembly, Split Conveyor - G6060, G6070 & G6070P (S/N 42.04940 & After)

Item	Part No.	Quantity	Description
1	907472	1	Cotter Pin, Stainless Steel Hair Pin
2	906483	5	Nut, Hex Lock, 5/16-18 Nylock
3	906401	4	Nut, Hex Lock, 1/2-13 Nylock
4	904324	5	Washer, Flat, 5/16 in.
5	903690	5	Bolt, Carriage, 5/16-18 x 1 in. Gr 5
6	908333	4	Bolt, Carriage, 1/2-13 x 1-1/2 in. Gr 5 Short Neck
8	901850	2	Pin, Spring, 5/16 in. x 3 in.
9	900537	2	Fitting, Grease, 1/8-PTF
10	900512	2	Machine Bushing, 1-1/4 in.
11	42.0901034	1	Weldment, Conveyor End Frame
12	42.0901019	2	Bearing, R-Lube, 1-1/4 in. 2 Bolt
13	42.0901009	1	Pin, Conveyor Door Latch
14	42.0901767	1	Clean Out Door w/Decals
15	42.0901003	1	Deflector Weldment, Adjustment End
16	42.0901002	1	Shaft, 1-1/4 in. x 34-3/4 in.
17	42.0900987	4	Conveyor Roller, 1.250 in. Bore
18	42.1541519	AR	Adapter (For Bearing With 1/4-28 Thread)

3.06 Single Conveyor

Item	Part No.	Quantity	Description
1	42.0901788	1	Conveyor, Frame w/Decals (G6060 & PB6000 Only)
2	42.0901787	1	Conveyor End, Adjusting w/Decals (G6060 & PB6000 Only)
	904520	2	Rubber Latch, 3 in. (G6060 & PB6000 Only)
	42.1501318	2	Rubber Latch, 5 in. (G6060 & PB6000 Only)
5	42.0901789	1	Plate, Conveyor End Deflector w/Decals
6	42.6008027.9	1	Guard, Conveyor Tail Shaft (G6060 & PB6000 Only)
7	42.6008052	1	Skirt, Conveyor (G6060 & PB6000 Only)
8	42.6008020	1	Strip, Conveyor Skirting Center (G6060 & PB6000 Only)
9	42.6008021	2	Bracket, Skirting - Small (G6060 & PB6000 Only)
10	42.6008093	1	Shaft, Conveyor Idle (G6060 & PB6000 Only)
11	42.6008092	1	Shaft, Conveyor Drive (G6060 & PB6000 Only)
12	42.6008004.9	1	Coupler, Conveyor Motor (G6060 & PB6000 Only)
13	42.6008011	1	Mount, Hydraulic Motor (G6060 & PB6000 Only)
14	904674	2	Capscrew, Hex Hd. 1/2-13 x 6 in.
15	42.1520773	3	Sprocket, Drive (G6060 & PB6000 Only)
16	42.6008088	4	Bearing, 2 Bolt Flange (G6060 & PB6000 Only)
	42.1510020	AR	Bearing, 1 in. - 2 Bolt Flange
17	42.1540898	1	Motor, Hydraulic, 101-1019-009, 5.9 cu. in. (PB6000 Only)
	42.1541780	1	Motor, Hydraulic, 101-1751-009, 7.3 cu. in. (G6060 & G6070 Only)
17a	42.0901800	1	Key, Shaft (Hydraulic Motor)
18	16.21179	1	Seal Kit, H-Series (For Item 17)
19	42.0900397	1	Winch, Manual (G6060 & PB6000 Only)
20	42.1501314	1	Pulley, Swivel (G6060 & PB6000 Only)
21	42.1501279	1	Pulley (G6060 & PB6000 Only)
22	42.0900554	1	Cable, 1/4 in. x 17 Ft. (G6060 & PB6000 Only)
23	42.6008018	17	Slat, Conveyor Chain (G6060 & PB6000 Only)
24	42.1520318	1	Chain, Conveyor Complete (G6060 & PB6000 Only)
	900703	AR	Link, CA550 Connector
	900709	AR	Link, CA550 Offset
25	42.1590024	2	Clamp, Cable (G6060 & PB6000 Only)
26	900369	2	Nut, Hex, 1/2-13
28	900445	2	Setscrew, Hex Socket, 3/8-16 x 1/2 in. (G6060 & PB6000 Only)
29	09.72010	2	Pin, Roll, 3/8 in. x 2 in. (G6060 & PB6000 Only)
30	902364	4	Capscrew, Hex Hd. 5/16-18 x 3/4 in. Gr 5
31	900537	2	Fitting, Grease (G6060 & PB6000 Only)
32	903033	12	Capscrew, Hex Hd. 1/4-20 x 1 in. Gr 5
33	902300	4	Capscrew, Hex Hd. 3/8-16 x 1 in. Gr 5
34	902884	1	Capscrew, Hex Hd. 3/8-16 x 2-1/2 in. Gr 5
35	902367	8	Capscrew, Hex Hd. 3/8-16 x 1-1/4 in. Gr 5
36	903848	1	Capscrew, Hex Hd. 3/8-16 x 1-1/2 in. Gr 5
37	900493	12	Washer, Flat, 1/4 in.

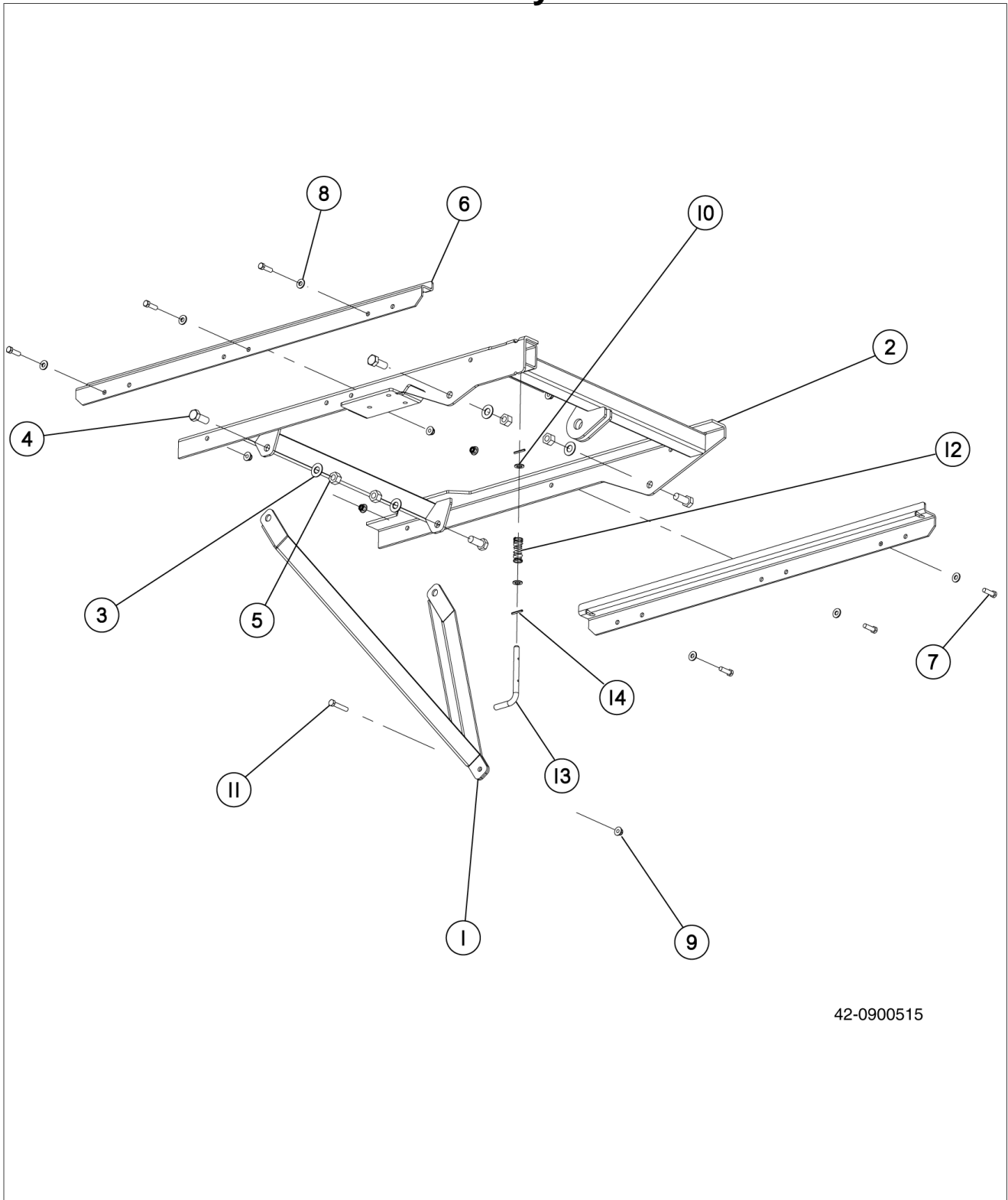
Section 3

3.06 Single Conveyor

Item	Part No.	Quantity	Description
38	900495	8	Washer, Flat, 3/8 in.
39	901937	8	Washer, Flat, 1/2 in.
40	904092	12	Nut, Hex Lock, 1/4-20
41	906400	11	Nut, Hex Lock, 3/8-16
42	906401	9	Nut, Hex Lock, 1/2-13
45	903306	9	Capscrew, Hex Hd. 1/2-13 x 1-1/2 in. Gr 5
46	42.1520773	1	Sprocket, Idle (G6060 & PB6000 Only)
47	42.1501324	1	Polyethelene, High Density (Used On G6060 & PB6000 Only)
49	42.1501519	1	Grease Line - 3/16 in. x 40 in. (Used On G6060 & PB6000 Only)
	42.1501517	1	Grease Line - 3/16 in. x 20.5 in. (Used On G6070 Only)
50	42.1501611	1	Adapter, Swivel
51	42.6008075	1	Door Assembly, Conveyor with Hooks
52	42.6008003	1	Conveyor Complete (Used On G6060 & PB6000 Only)
	42.6008072	1	Guide, Chain Conveyor - Left (G6060 & PB6000 Only) Not Shown
	42.6008073	1	Guide, Chain Conveyor - Right (G6060 & PB6000 Only) Not Shown
	42.1501611	AR	Fitting, Hose End Swivel (Use With Grease Lines)
53	42.6008058	1	Angle, Slide Frame Clamp (G6060 & PB6000 Only)

This Page Intentionally Left Blank

3.07 Conveyor Support/Slide Assembly, Split & Single Conveyor

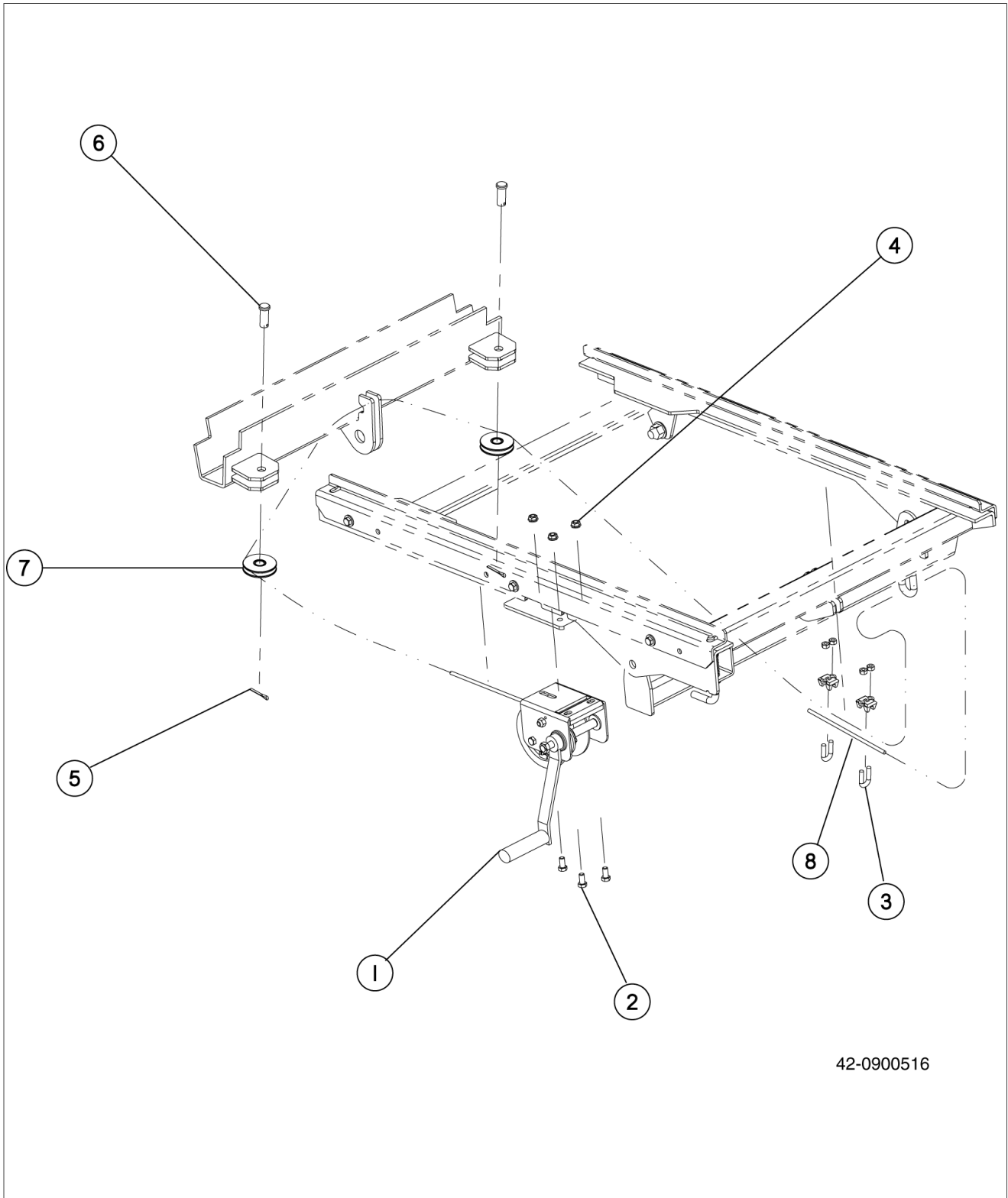


42-0900515

3.07 Conveyor Support/Slide Assembly, Split & Single Conveyor

Item	Part No.	Quantity	Description
1	42.0901533	1	Stabilizer, Conveyor Angle Adjustment
2	42.0900441	1	Frame, Conveyor Slide
3	904763	4	Washer, Flat, 5/8 in. SAE
4	901619	4	Bolt, Hex, 5/8-11 x 1-1/2 in. Gr 5
5	906402	4	Nut, Hex Lock, 5/8-11 Nylock
6	42.0900484	2	Hold Down, Conveyor
7	902367	6	Bolt, Hex, 3/8-16 x 1-1/4 in. Gr 5
8	901105	6	Washer, Flat, 3/8 in. SAE
9	907779	7	Nut, Hex Nylon Flange Lock, 3/8-16 Yellow Zinc
10	900509	2	Bushing, Machine, 1/2 in. x 14 Ga.
11	901633	1	Bolt, Hex, 3/8-16 x 2 in. Gr 5
12	07.17764	1	Spring, Compression
13	17.00750	1	Pin, Cam Lever
14	904246	2	Pin, Spring, 5/32 in. x 1-1/4 in.

3.08 Conveyor Lift Assembly - Manual



3.08 Conveyor Lift Assembly - Manual

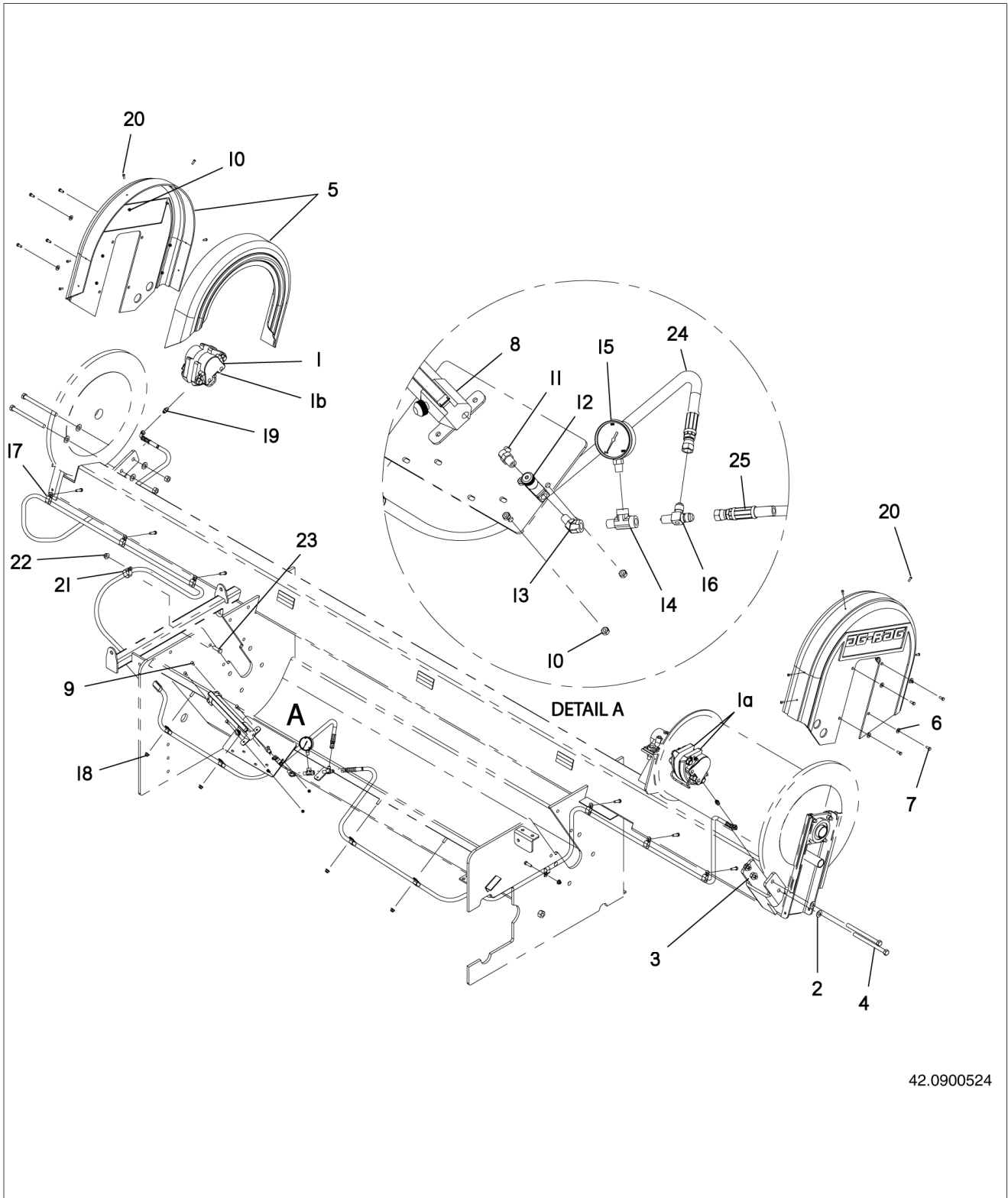
Item	Part No.	Quantity	Description
1	42.0900434	1	Winch, Brake
2	902300	3	Bolt, Hex, 3/8-16 x 1 in. Yellow Zinc
3	900143	2	Clamp, Cable, 1/4 in.
4	903437	3	Nut, Hex Whiz Lock, 3/8-16
5	901292	2	Pin, Cotter, 5/32 in. x 1-1/4 in. Stainless Steel
6	18.00097	2	Pin, Clevis, 5/8 in. x 1-1/2 in. Zinc
7	42.1501279	2	Pulley, 2-1/2 in. OD x 1/4 in. Cable x 5/8 in. ID
8	42.0900554	1	Cable, Conveyor Lift, 1/4 in. x 17 Ft.

3.09 Hydraulic Conveyor Lift Kit - G6060, G6070 & G6070P

Item	Part No.	Quantity	Description
1	42.0900468	1	Cylinder, Hydraulic, 2 in. x 28 in. x 1-1/8 in.
1a	65.10083	1	Seal Kit, Hydraulic Cylinder
2	907232	1	Elbow, 90° #6 ORB x #6 NPT
3	17.00863	1	Valve, Check
4	07.17861	1	Connector, Male, 3/8 in. JIC x 1/4 in. NPT
5	07.17843	1	Connector, Male, JIC - NPT, 3/8 in. x 3/8 in.
6	32.60704	1	Tee, 06 ORB Run x MJIC
7	42.0900569	1	Hose, Hydraulic, 1/4 in. x 26.5 in. 6 x 6 FJIC
8	42.0900570	1	Hose, Hydraulic, 3/8 in. x 72 in. 6 FJIC 90° x 6 FJIC
9	42.0900571	1	Hose, Hydraulic, 3/8 in. x 42 in. 6 FJIC 45° x 6 FJIC
10	907775	2	Elbow, 90° 10 ORB x 6 MJIC
11	21.00516	1	Orifice, -6 Two Way, .049 in. Dia.
12	42.1540551	1	Adapter, 12 ORB x 7/8 in. MJIC
13	32.61133	1	Elbow, 90° 10 MJIC x FJIC
14	32.01956	1	Adapter, 12 ORB x 3/4 in. JIC Swivel
15	09.74127	1	Adapter, 12 ORB x 3/4 in. MJIC
16	42.0900558	1	Valve, Conveyor Lift w/Handle
17	903376	3	Nut, Hex Whiz Lock, 1/4-20
18	907614	3	Bolt, Button Hd, 1/4-20 x 1-1/2 in. Stainless Steel
19	42.0900013	1	Decal, Conveyor Raise/Lower
20	322848B1	2	Clip, Hydraulic Line
21	42.0900575	1	Kit, Hydraulic Conveyor Lift (Consists Of Items 1 & 2 thru 20)

Section 4

4.01 Brake Assembly - G6070 & G6070P

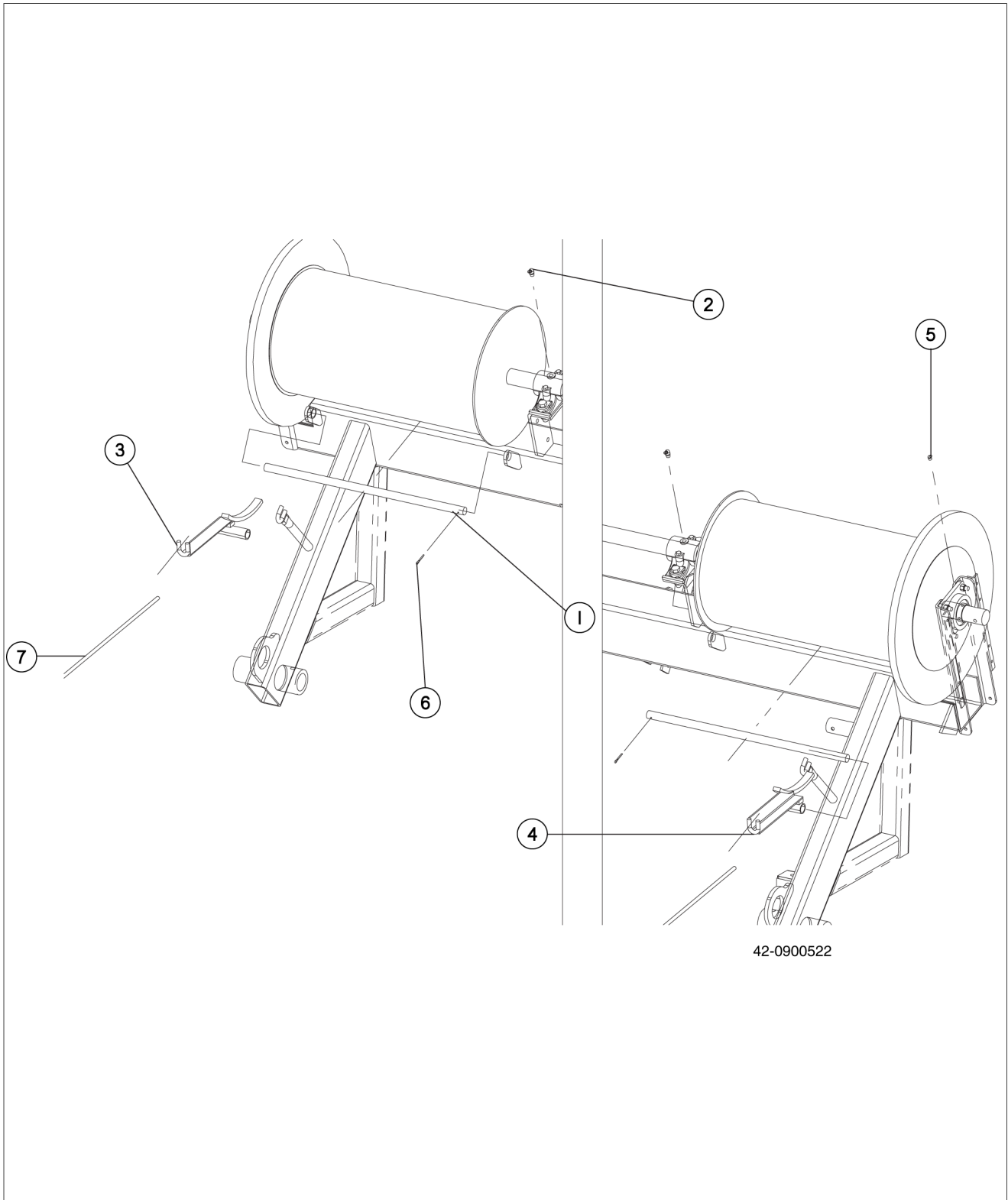


42.0900524

4.01 Brake Assembly - G6070 & G6070P

Item	Part No.	Quantity	Description
1	42.1501348	2	Brake, Mico - G6070 & G6070P
1a	42.1500294	1 Set	Brake Pad
1b	42.1500199	1	Brake Kit, Repair MICO
2	904763	8	Washer, Flat, 5/8 in. SAE
3	906402	4	Nut, Hex Lock, 5/8-11 Nylock
4	906392	4	Bolt, Hex, 5/8-11 x 8 in. Gr 5
5	42.0901520	2	Cover, Cable Drum
6	900494	8	Washer, Flat, 5/16 in.
7	09.71112	8	Bolt, Hex, 5/16-18 x 3/4 in. Gr 5 Special
8	42.0900040	1	Pump, Hand, 17 CI, 2000 psi
9	907270	4	Bolt, Hex, 1/4-20 x 3/4 in. Stainless Steel
10	907389	16	Nut, Hex Lock, 1/4-20 Nylock Stainless Steel
11	42.1542021	1	Adaptor, #6 MO x #4 MP
12	42.1541121	1	Valve, Needle
13	42.1540448	1	Elbow, 45° Street, #4 MP x #4 FP
14	907146	1	Tee, 1/4 NPT Male Run
15	42.1500142	1	Gauge, Liquid Fill, 2000 psi
16	32.60011	1	Tee, 1-4 MPT x 06 MJIC Run - G6070 & G6070P
17	05.73375	11	Clamp, Hose, .625 ID Double - G6070 & G6070P
18	907779	11	Nut, Hex Flange Lock, 3/8-16 Yellow Zinc - G6070 & G6070P
19	907695	2	Union, 04 ORB - 06 MJIC - G6070 & G6070P
20	907613	12	Bolt, Button Head, 1/4-20 x 3/4 in. Stainless Steel
21	21.30727	1	Clamp, 1-1/2 in. Vinyl - G6070 & G6070P
22	907399	1	Nut, Hex Nylon Flange Lock, 1/2-13 - G6070 & G6070P
23	903306	1	Bolt, Hex, 1/2-13 x 1-1/2 in. Gr 5 - G6070 & G6070P
24	42.0900540	1	Hose, Brake, 3/8 x 139 in. - G6070 & G6070P
25	42.0900539	1	Hose, Brake, 3/8 x 122 in.

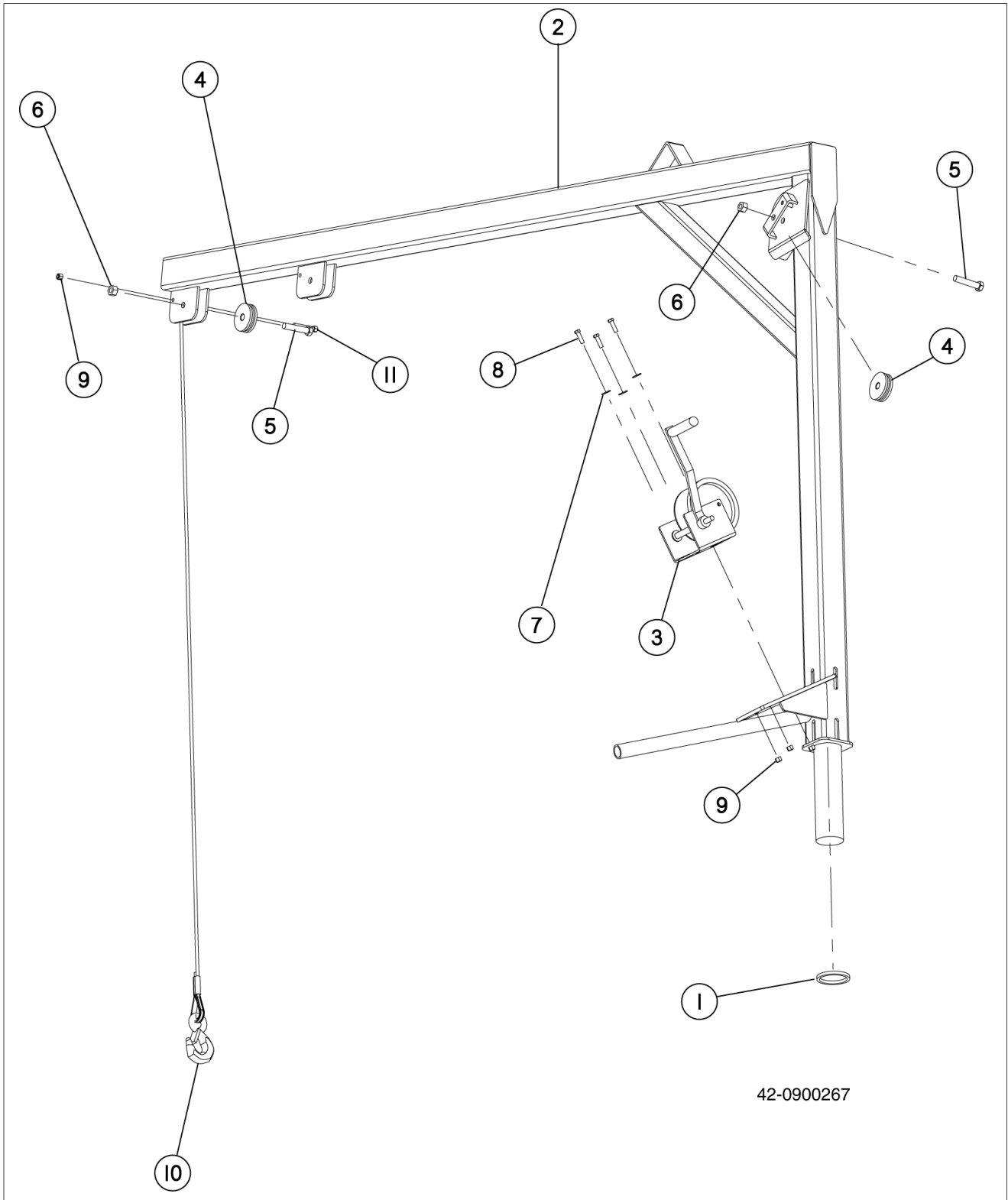
4.02 Cable/Guide Assembly



4.02 Cable/Guide Assembly

Item	Part No.	Quantity	Description
1	42.6003018	2	Rod, Cable Rewind, 1 x 29 in. Zinc - G6070 &G6070P Only
	42.1030069	2	Rod, Cable Rewind - G6060
2	905401	2	Zerk, Grease, 1/4-28, 65°
3	42.6003014	1	Guide, Cable Rewind, Right
4	42.6003013	1	Guide, Cable Rewind, Left
5	900665	2	Zerk, Grease, 1/8, 45°
6	901292	2	Pin, Cotter, 5/32 x 1-1/4 in. Stainless Steel
7	42.1590066	2	Cable, 7/16 x 245 Ft. - G6070 & G6070P Only
	42.1590065	2	Cable, 7/16 x 195 Ft. G6060 Only

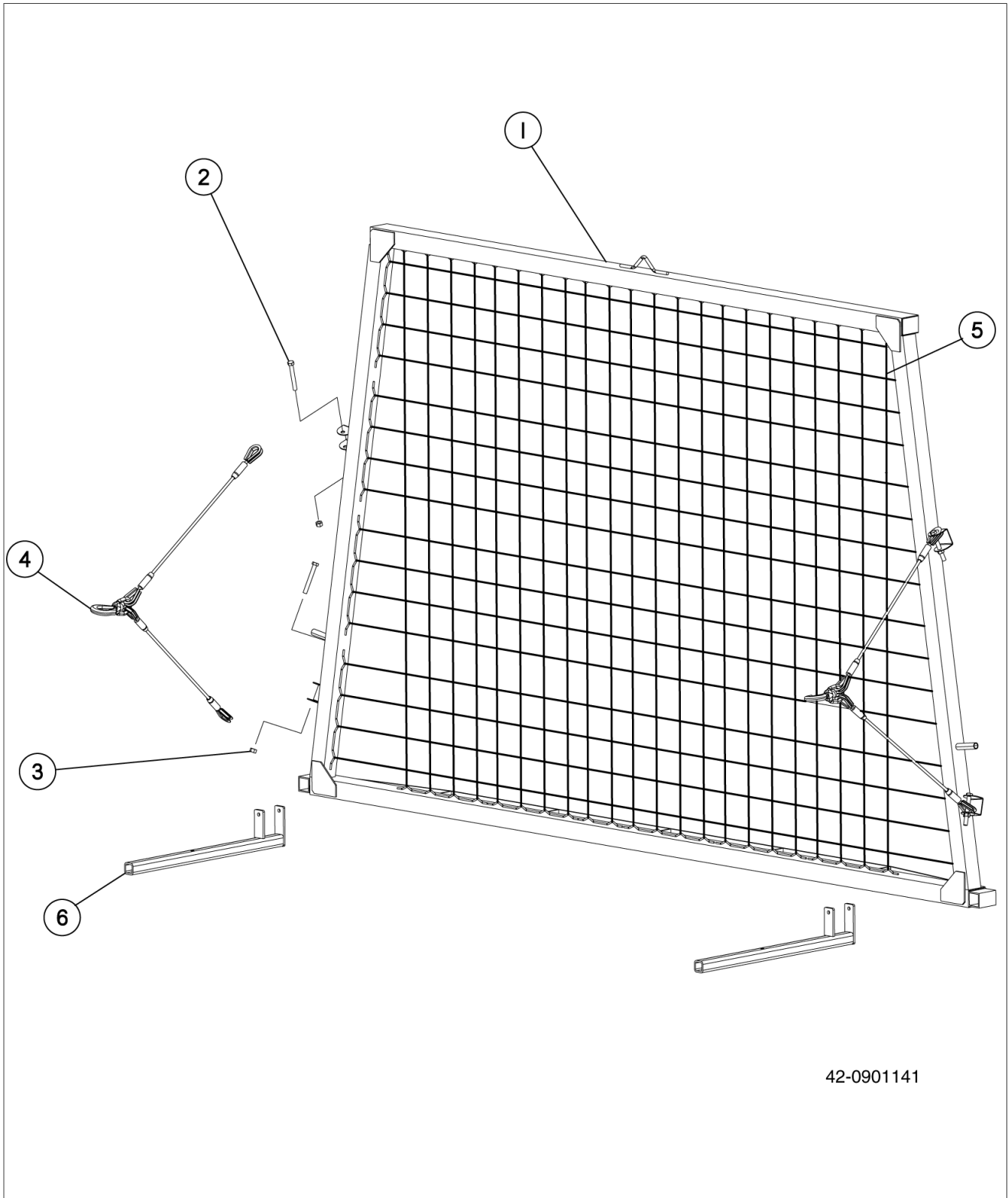
4.03 Bag Boom



4.03 Bag Boom

Item	Part No.	Quantity	Description
1	42.1060039	1	Spacer, Bag Boom, Bronz, 2-15/16 in.
2	42.0900385	1	Frame, Bag Boom, 8-10 Ft.
3	42.0900397	1	Winch, Brake
4	42.1060036	2	Pulley, Bag Boom, 3 in. UHMW
5	903849	2	Bolt, Hex, 5/8-11 x 3 in. Gr 5
6	906402	2	Nut, Hex Lock, 5/8-11 Nylock
7	900495	3	Washer, Flat, 3/8 in.
8	902367	3	Bolt, Hex, 3/8-16 x 1-1/4 in. Gr 5
9	906400	4	Nut, Hex Lock, 3/8-16 Nylock
10	42.1501691	1	Cable, 1/4 x 30 Ft, w/Hook
11	902884	1	Bolt, Hex, 3/8-16 x 2-1/2 in. Gr 5

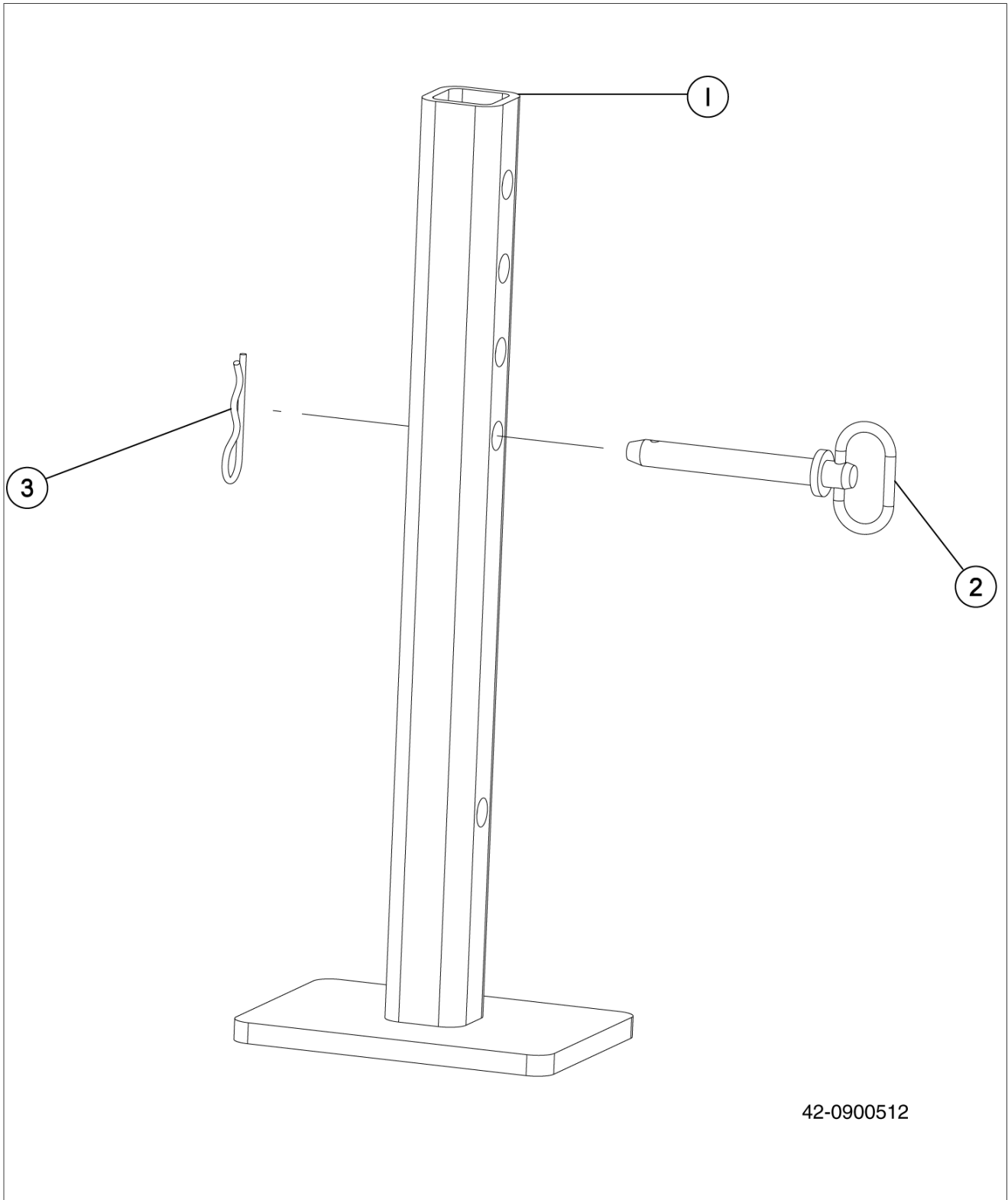
5.01 Backstop, Steel



5.01 Backstop, Steel

Item	Part No.	Quantity	Description
1	42.1090008	1	Backstop, 10 Ft - G6070 & G6070P Only
	42.1090014	1	Backstop, 8-9 Ft - G6060 & PB6000 Only
2	904217	4	Bolt, Hex, 5/8-11 x 5 in. Gr 5
3	906402	4	Nut, Hex Lock, 5/8-11 Nylock
4	42.1500412	2	Sling, Backstop Cable, 7/16 x 35 in.
5	42.1560006	1	Rope, Backstop, 3/8 x 400 Ft (10 Ft Backstop)
	42.1560005	1	Rope, Backstop, 3/8 x 300 Ft (8-9 Ft Backstop)
6	42.1090026	2	Support, Backstop Transport - Long - G6060, G6070 & G6070P Without Tunnel Extensions Only
	42.6006063	2	Support, Backstop Transport - Long - G6060, G6070 & G6070P With Tunnel Extensions Only

5.02 Jack Stand - G6060, G6070 & G6070P



42-0900512

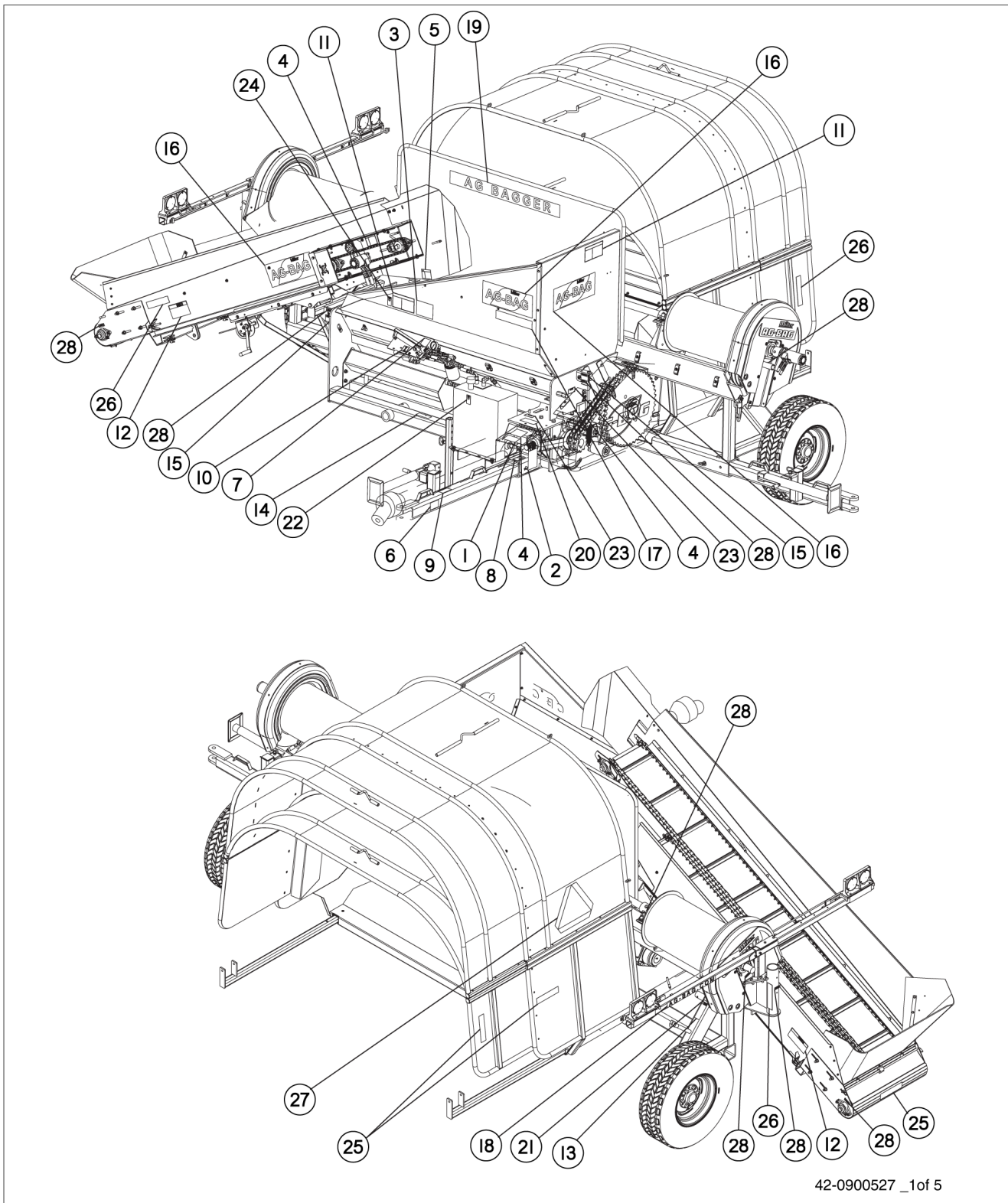
5.02 Jack Stand - G6060, G6070 & G6070P

Item	Part No.	Quantity	Description
1	42.0900549	1	Stand, Jack
2	42.1150171	1	Pin, Hitch, .625 x 4 in.
3	05.73120	1	Pin, Hair, 5/32 x 2-15/16 in. Zinc

6.01 Transport Lights & Light Stand - G6060, G6070 & G6070P

Item	Part No.	Quantity	Description
1	42.0900408	1	Bar, Light Tube Cover
2	907348	8	Screw, Hex Hd, 1/4-20 x 3/4 in. Stainless Steel, Thread Cutting
3	21.22733	8	Clamp, Vinyl, .38 Dia.
4	16.20165	1	Holder, Plug Storage
5	907768	1	Pin, Lock, 3/8 x 3 in.
6	903306	3	Bolt, Hex, 1/2-13 x 1-1/2 in. Gr 5
7	902831	3	Bolt, Hex, 3/8-16 x 3 in. Gr 5
8	906401	3	Nut, Hex Lock, 1/2-13 Nylock
9	906400	3	Nut, Hex Lock, 3/8-16 Nylock
10	904863	8	Bolt, Hex, 1/4-20 x 3/4 in. Gr 5
11	904092	10	Nut, Hex Lock, 1/4-20 Nylock
12	905011	2	Bolt, Hex, 1/4-20 x 1/2 in. Gr 5
13	907220	2	Decal, Yellow Retroreflective 2 x 9 in.
14	907219	2	Decal, Red Retroreflective 2 x 9 in.
15	17.00650	10	Clamp, Single, .63 ID
20	42.0900049	1	Light Stand Weldment
21	42.0900052	1	Light Tube Weldment, Right Side
22	42.0900054	1	Light Tube Weldment, Left Side
24	42.0900463	1	Light, Dual Lamp, Amber/Red, Right Side
25	42.0900462	1	Light, Dual Lamp, Amber/Red, Left Side
26	42.0900461	1	Harness, Lights, Wishbone
27	42.0900460	1	Harness, Lights (Includes Item 28)
28	16.10818	1	Plug, Light Cord (Included In Item 27)
29	907311	2	Lens, Red (Wesbar)
	908187	2	Lens, Red (Command)
30	907312	4	Lens, Amber (Wesbar)
	908188	4	Lens, Amber (Command)
31	21.20917	4	Bulb, #1157

6.02 Safety Signs & Decals - G6060, G6070 & G6070P

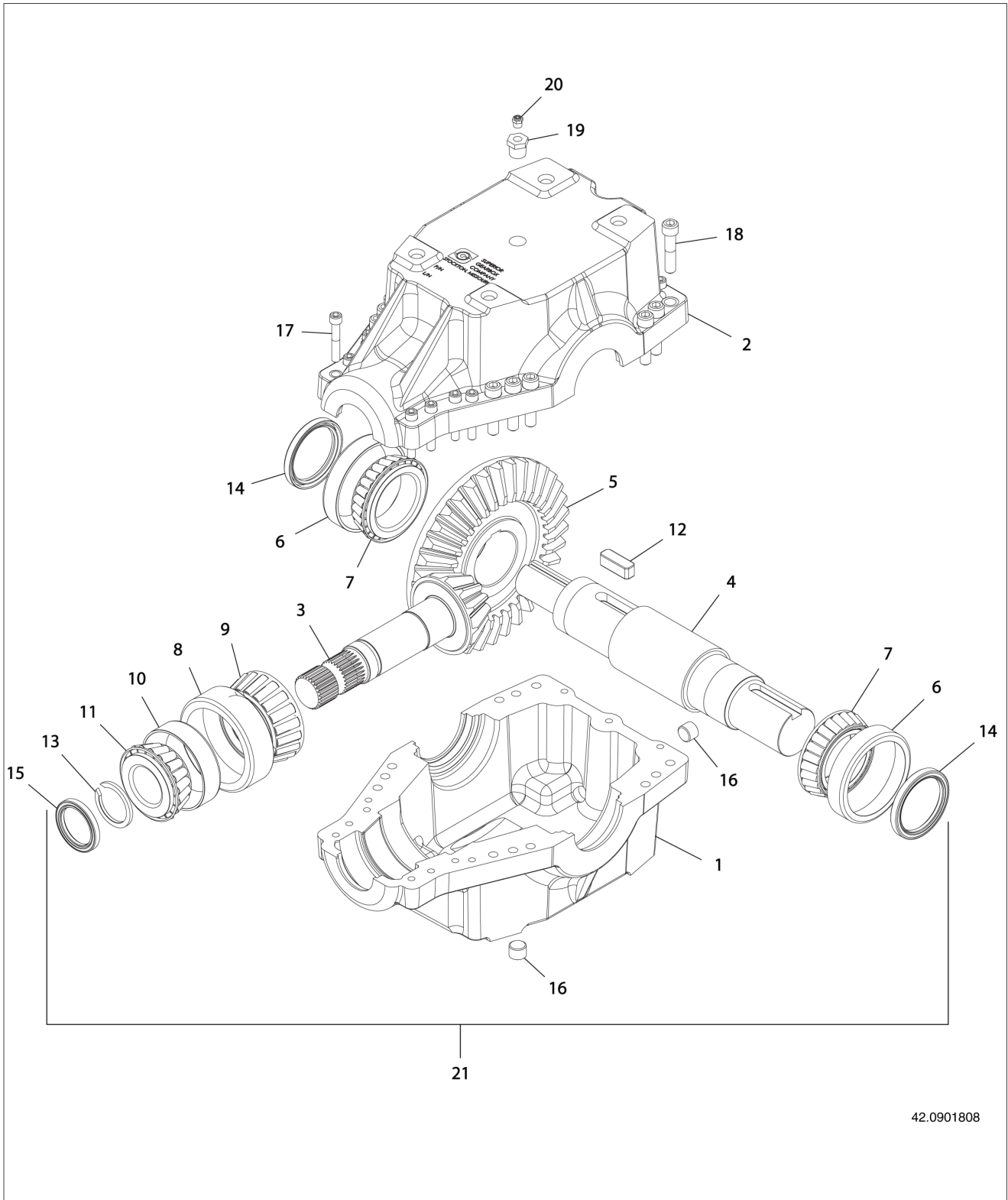


42-0900527 _1of 5

6.02 Safety Signs & Decals - G6060, G6070 & G6070P

Item	Part No.	Quantity	Description
1	01.77800	1	Safety Sign, Warning, No Step
2	16.20177	2	Safety Sign, Danger, Rotating Drive Line
3	16.20178	1	Safety Sign, Warning, Before Operating
4	16.20179	3	Safety Sign, Warning, Shield Is Off
5	16.20181	1	Safety Sign, Warning, Rotating Parts
6	17.01155	2	Safety Sign, Warning, Foot Crushing
7	21.09024	1	Safety Sign, Warning, High Pressure Oil
8	333532B2	1	Safety Sign, Warning, Shield Is Off
9	340248B1	1	Safety Sign, Caution 540 RPM (G6060 & G6070)
10	42.0900014	1	Decal, Conveyor/Cable Rewind
11	42.0900820	2	Safety Sign, Danger, Rotor Entanglement
12	42.0900821	2	Safety Sign, Danger, Conveyor Entanglement
13	42.0900822	2	Safety Sign, Warning Cable Entanglement
14	42.0900823	2	Decal, Important, Lug Nuts
15	42.0900837	2	Decal, Grease Rotor Bearing
16	42.0901563	3	Decal, Ag-Bag Logo, 7 x 19 in.
17	42.0901565	1	Decal, G6070 (G6070 & G6070P)
	42.0901564	1	Decal, G6060 (G6060)
18	42.0901566	1	Decal, ag-bag.com, 1.75 x 20 in.
19	42.0901567	1	Decal, Ag-Bagger, 4 x 42 in.
20	42-0901581	1	Decal, 75W-90 Syn Oil
21	42.0901739	2	Decal, Important, Cable Guide Removal
22	42.1530028	1	Decal, Notice, Hydraulic Oil Only
23	42.1530054	2	Decal, Oil Chain
24	42.1530065	1	Decal, Notice, Tractor Neutral
25	907219	3	Decal, Red Retroreflective, 2 x 9 in.
26	907220	4	Decal, Yellow Retroreflective, 2 x 9 in.
27	907225	1	Decal, SMV Emblem
28	907510	11	Decal, Grease

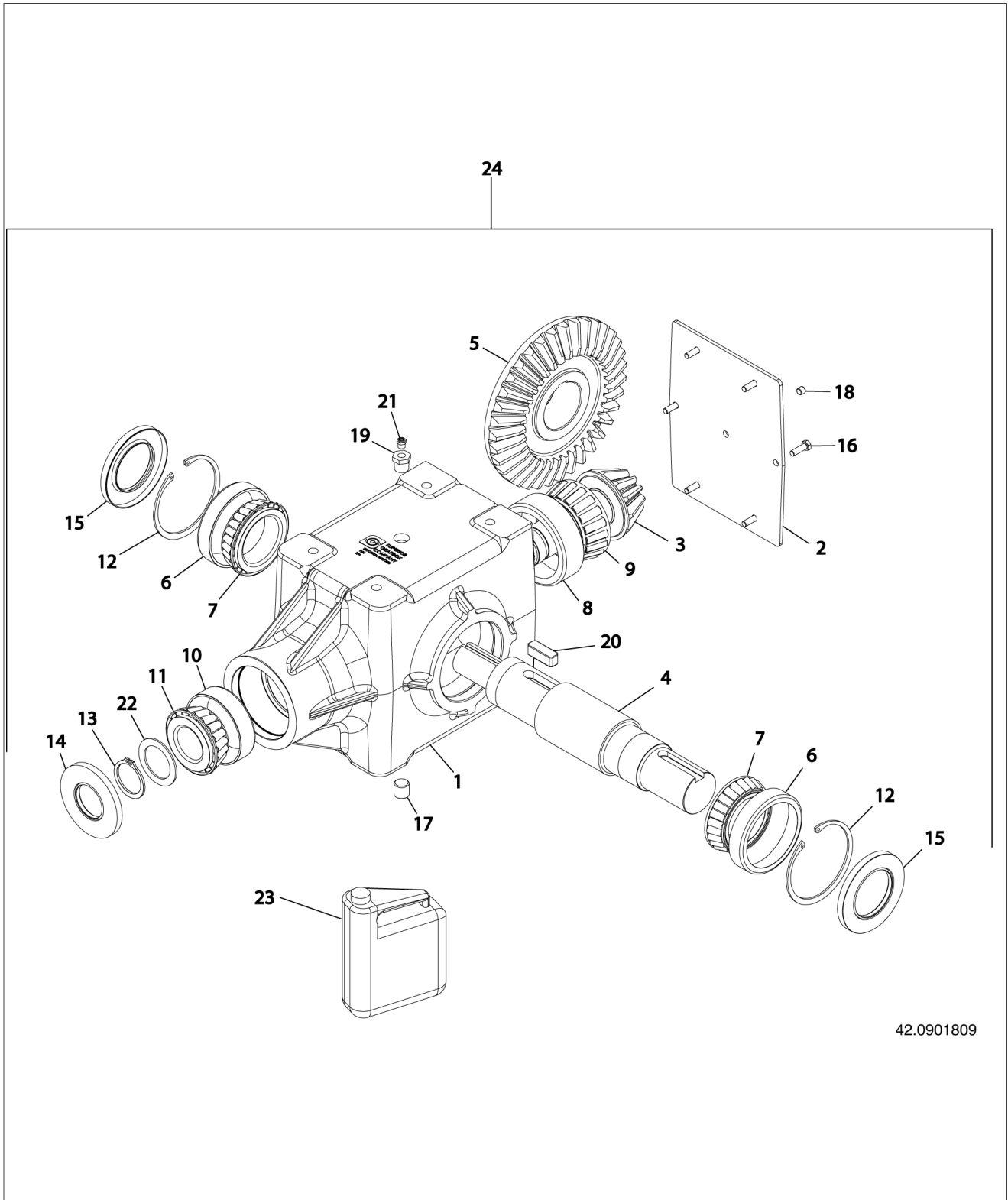
7.01 Gearbox, Dual Output Aluminum



7.01 Gearbox, Dual Output Aluminum

Item	Part No.	Quantity	Description
1	42.0000317	1	Housing, R700 TAP Improved
2	42.0000318	1	Housing, R700 THRU Improved
3	42.1520316	1	Pinion Gear
4	42.1500381	1	Shaft, Cross R700
5	42.1520774	1	Gear
6	42.1510215	2	Bearing Cup, 4.6250 TK #33462
7	44.01604	2	Bearing Cone, 2.750 TK #33275
8	42.1510199	1	Bearing Cup, TK #5535
9	42.1510059	1	Bearing Cone, TK #5565
10	905456	1	Bearing Cup, 4.125 TK #HM807010
11	42.1510060	1	Bearing Cone, TK #HM807044
12	42.0901101	1	Key, 5/8 x 5/8 x 1.845
13	42.1500338	1	Retaining Ring, External, 1.938
14	42.0901875	2	Seal, 2.750 - 3.500 x .375 Viton
15	42.0901876	1	Seal, 1.937 - 2.623 x .312 Viton
16	903096	2	Plug, 1/2-14 NPT, Socket Head
17	906385	11	Bolt, SHCS, 3/8-16 x 2-1/4 in.
18	907896	12	Bolt, SHCS, 1/2-13 x 2-1/4 in. Gr 8
19	904768	1	Bushing, 1/2 NPT To 1/8 NPT
20	42.1541774	1	Plug, Vent, 1/8-27 NPT, 5 psi
21	42.0901808	1	Gearbox, Complete

7.01.1 Gearbox, Dual Output Cast Iron

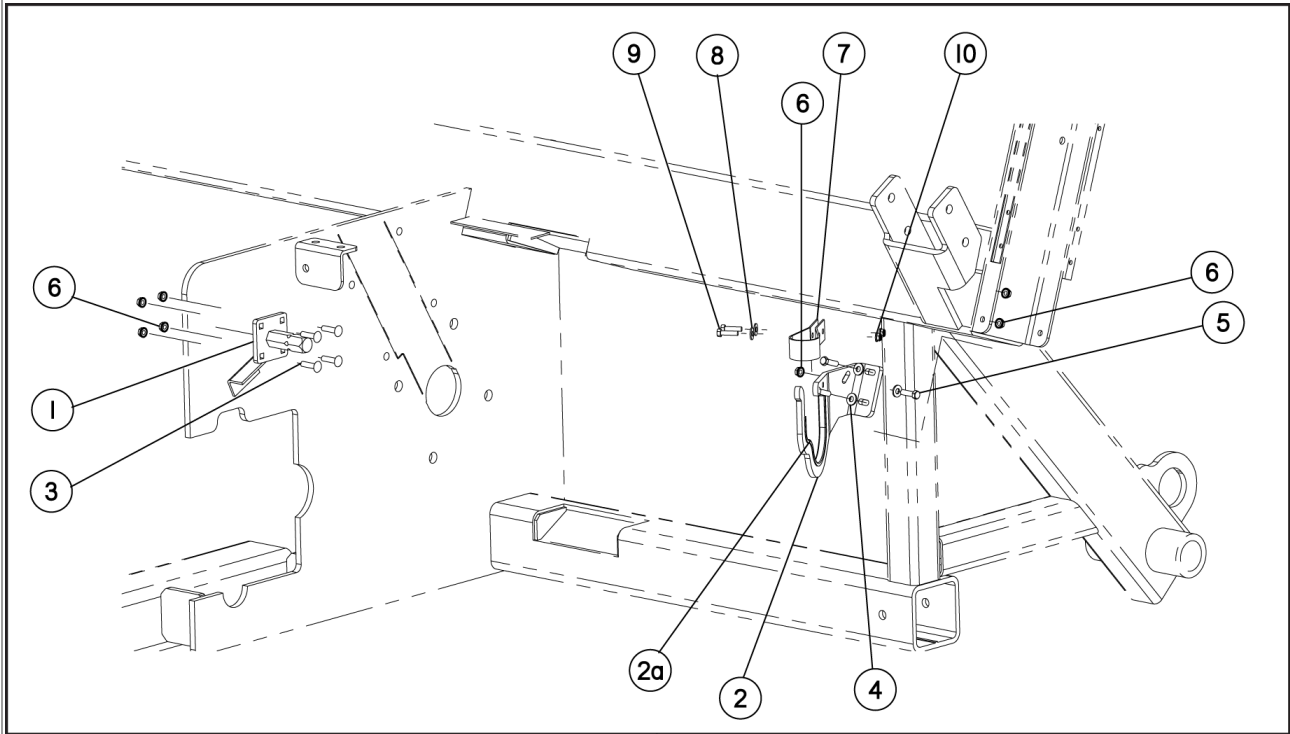


42.0901809

7.01.1 Gearbox, Dual Output Cast Iron

Item	Part No.	Quantity	Description
1	42.0901884	1	Hsg, Main Mach R70C
2	42.0901885	1	Plate, Cover R70C 1/8 NPT
3	42.0901886	1	Shaft, Gear Pinion R70C
4	42.1500381	1	Shaft, Cross R700 Austemper
5	42.1520774	1	Gear, 700 Series
6	42.0901910	2	Brg, Cup
7	44.01604	2	Brg, Cone TK#33275 2.750
8	42.1510199	1	Brg, Cup TK# 5535 4.8125
9	42.1510059	1	Brg, Cone TK#5565 2.000
10	905456	1	Brg, Cup TK#HM807010 4.125
11	42.1510060	1	Brg, Cone TK#HM807044 1.9375
12	42.0901887	2	Retaining Ring, Int 4.625 Bore
13	42.0901888	1	Retaining Ring, Ext 1.938 Shft
14	42.0901878	1	Seal, 1.936-4.25-.375 TC
15	42.0901877	2	Seal, 2.75-4.629-.406 TC
16	42.0901889	6	Bolt, 5/16-18 x 1.00 HHCS Gr8
17	903096	1	Plug, 1/2-14 NPT SCHD w/3M
18	42.0901890	1	Plug, 1/8-27 NPT SCHD w/3M
19	904768	1	Bushing, 1/2 NPT To 1/8 NPT
20	42.0901101	1	Key, 5/8 x 5/8 x 1.845
21	42.1541774	1	Plug, 1/8-27 NPT Vent 5 PSI
22	42.0901891	1	Spacer, Pinion R70C
23	344405B1	175 oz	Lube/Shc 75W90 Synth
24	42.0901809	1	Gearbox Complete
	42.0901809R	1	Gearbox Complete, Viton Rebuilt

8.01 PTO Transport Kit - G6060 & G6070



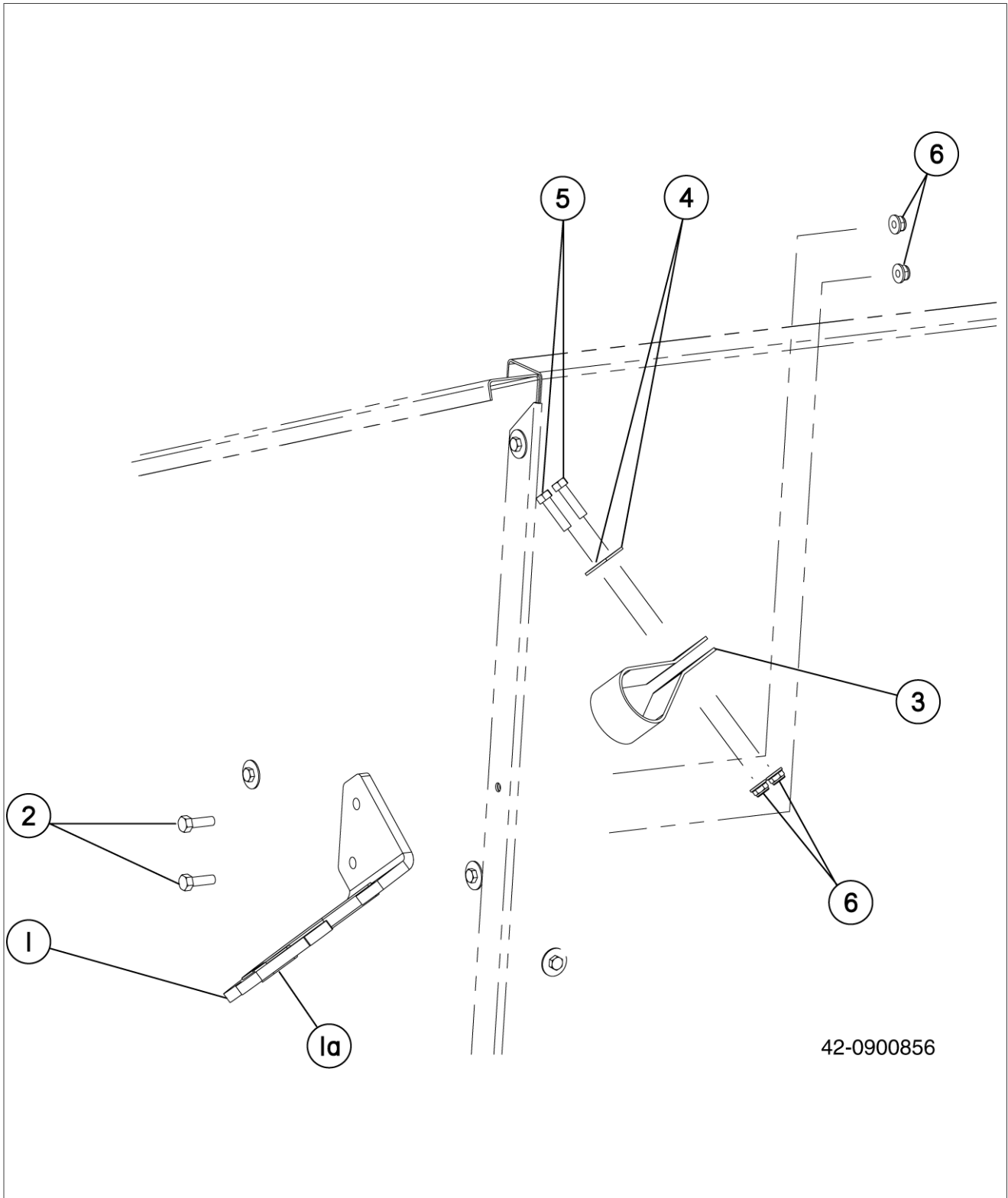
42-0900458

11

8.01 PTO Transport Kit - G6060 & G6070

Item	Part No.	Quantity	Description
1	42.0900427	1	Weldment, PTO Transport, Bolt On
2	42.0900457	1	PTO Cradle, Bolt On w/ Trim
2a	11.80534	1.2 Ft	Trim, Black Vinyl, .250 - .500 (Order per Foot)
3	904336	4	Bolt, Carriage, 3/8-16 x 1-1/2 in.
4	901105	3	Washer, Flat, 3/8 in. SAE
5	902367	3	Bolt, Hex, 3/8-16 x 1-1/4 in. Gr 5
6	903437	7	Nut, Hex Whiz Lock, 3/8-16
7	42.0900559	1	Lock, PTO Cradle
8	900494	2	Washer, Flat, 5/16 in.
9	904464	2	Bolt, Hex, 5/16-18 x 1-1/4 in. Gr 5 Yellow Zinc
10	907625	2	Nut, Hex Lock, Nylon Flange, 5/16-18 Blk Zinc
11	42.0900458	1	Kit, PTO Transport (Includes Items 1 thru 10)

8.01.1 PTO Transport Assembly - G6070P

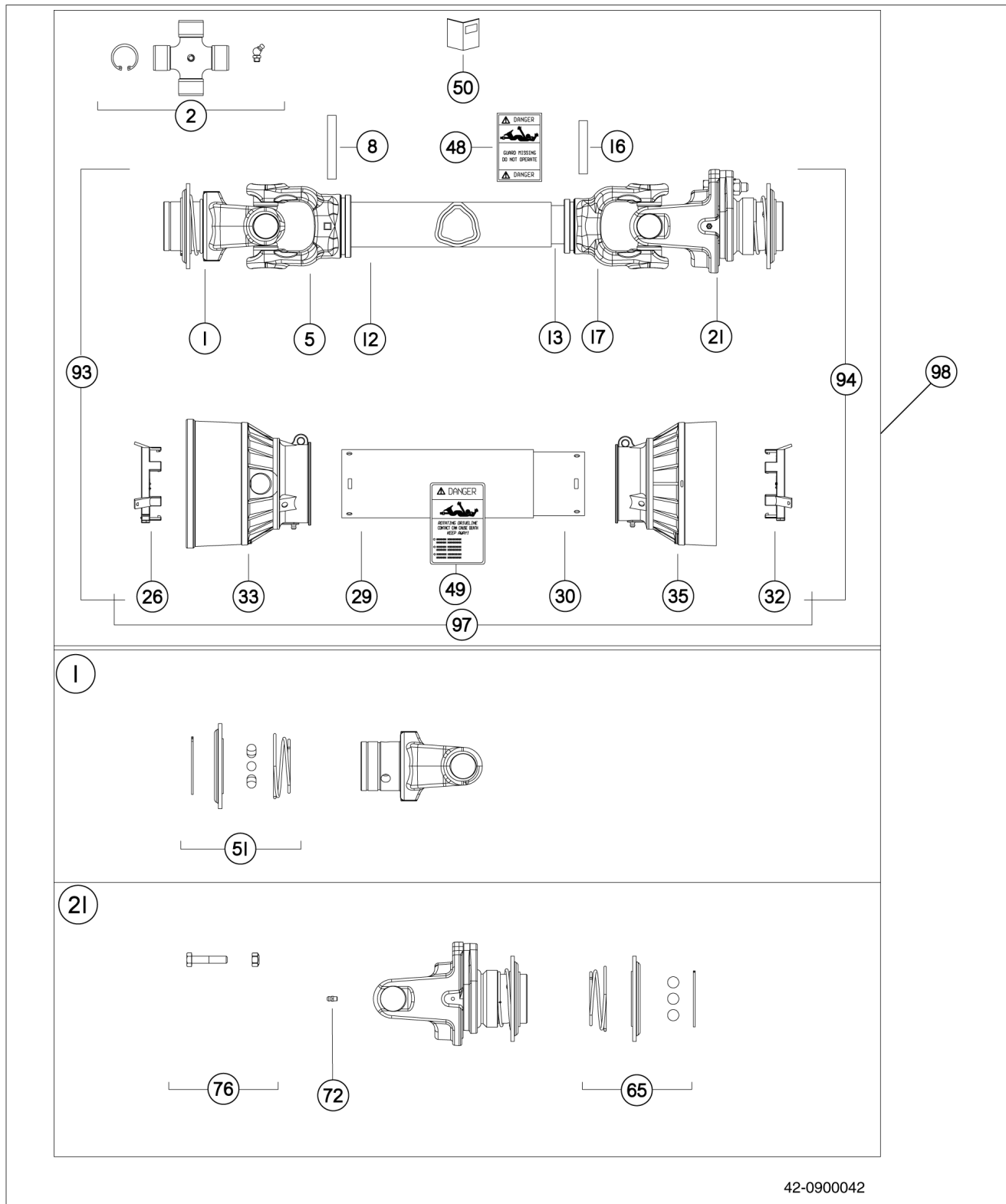


8.01.1 PTO Transport Assembly - G6070P

Item	Part No.	Quantity	Description
1	42.0900940	1	Support, PTO w/Trim
1a	11.80534	1.2 Ft	Trim, Black Vinyl, .250 - .500 (Order per Foot)
2	902859	2	Bolt, Hex, 5/16-18 x 1 in. Gr 5 Yellow Zinc
3	42.0900559	1	Lock, PTO Cradle
4	900494	2	Washer, Flat, 5/16 in.
5	904464	2	Bolt, Hex, 5/16-18 x 1-1/4 in. Gr 5 Yellow Zinc
6	907625	4	Nut, Hex Lock, Nylon Flange, 5/16-18 Blk Zinc

Section 8

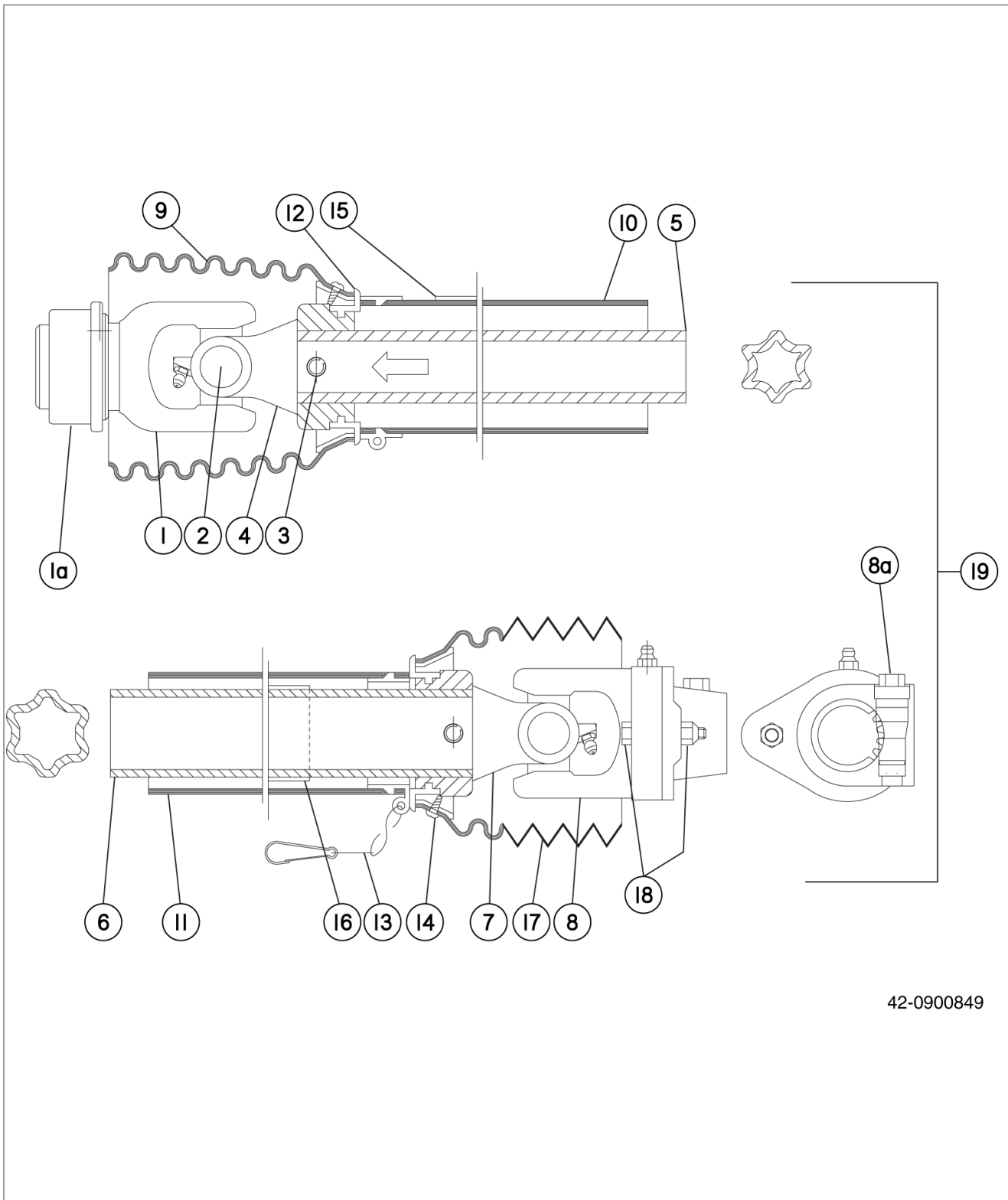
8.02 PTO Shaft - G6070 & (G6060 2009 Production & After)



8.02 PTO Shaft - G6070 & (G6060 2009 Production & After)

Item	Part No.	Quantity	Description
1	42.0900112	1	Yoke, #8/S9, 1-3/8 in. Z6 Ball
2	42.1501790	2	Cross Kit, #8, 35 x 106
5	42.1501637	1	Yoke, #8 Outer Tube
8	42.0900123	1	Flexible Roll Pin, #8/9 Outer, 12 x 90mm
12	42.0901559	1	CARDAN Tube
13	42.0901560	1	Tube, CARDAN #8 Inner
16	42.0900124	1	Flexible Roll Pin, #8/9 Inner, 12 x 75mm
17	42.1501638	1	Yoke, #8 Inner Tube
21	42.0900044	1	Yoke, Ball Shear #8, 1-3/4 in. 27QD
26	42.0900121	1	Shield Support, #8-9-10 Outer 8G502
29	NSS	1	Safety Tube (Not Serviced Separately)
30	NSS	1	Safety Tube (Not Serviced Separately)
32	42.0900122	1	Shield Support, #8-9-10 Inner 8G602
33	42.0900108	1	O.Cone, Shield Cone, #8-9 Outer Std.
35	NSS	1	I.Cone, Shield Cone, #8-9 Inner (Not Serviced Separately)
48	331639B2	1	Danger Label, Outer Drive Tube
49	329594B2	1	Danger/Shield Label
50	NSS	1	Instruction Booklet (Not Serviced)
51	42.0901561	1	Kit, Ball Collar, 1-3/8 in. #8
65	42.0000692	1	Kit, RT Ball Collar S5/S9, 1-3/4 in.
72	NSS	1	Grease Fitting, M6 x 1 Straight (Not Serviced Separately)
76	42.0900154	1	Bolt, M12 x 55mm CL8.8
91	NSS	1	Half Shaft, Uncleared (Not Serviced Separately)
92	NSS	1	Half Shaft, Uncleared (Not Serviced Separately)
93	NSS	1	Half Shaft, Cleared (Not Serviced Separately)
94	NSS	1	Half Shaft, Cleared (Not Serviced Separately)
95	NSS	1	Half Shield Kit (Not Serviced Separately)
96	NSS	1	Half Shield Kit (Not Serviced Separately)
97	42.0901562	1	Complete Shield Kit
98	42.0000042	1	PTO Shaft, Complete

8.02.1 PTO Shaft - G6070P

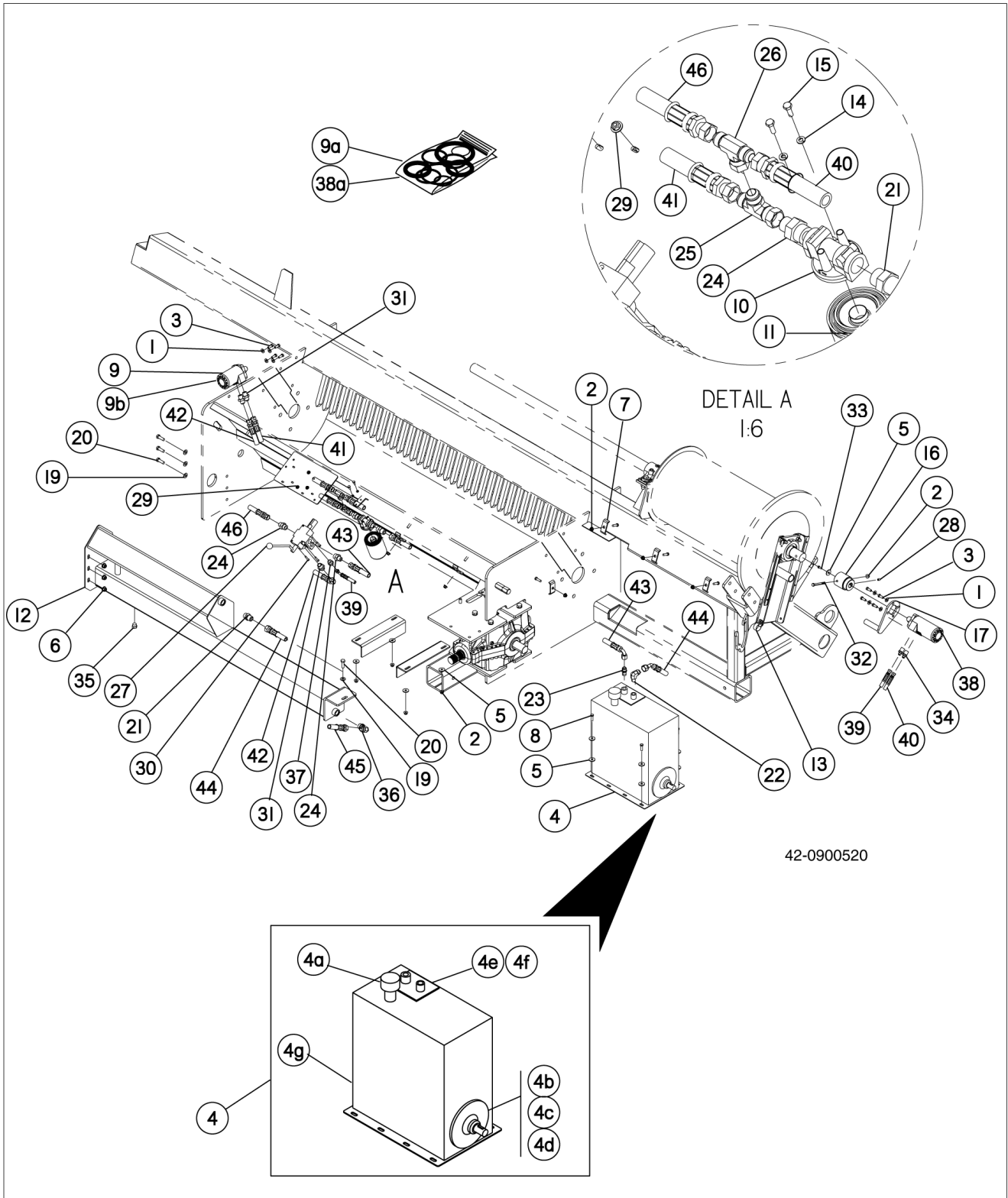


42-0900849

8.02.1 PTO Shaft - G6070P

Item	Part No.	Quantity	Description
1	42.0901569	1	Yoke Assembly (Includes Item 1a)
1a	42.0901582	1	Lock Collar Kit
2	42.0901570	2	Cross & Bearing Kit
3	42.0901571	2	Spring Pin, 10 x 90mm
4	42.0901572	1	Inboard Yoke, S4
5	42.0901573	1	Inner Profile, S4LGA
6	42.0901574	1	Outer Profile, S5
7	42.0901575	1	Inboard Yoke, S5
8	42.0900852	1	Shearbolt Clutch (Includes Item 8a)
8a	42.0901583	1	Lock Assembly
9	42.0901576	1	Guard Cone, 7 Rib
10	42.0901577	1	Guard Tube, Outer
11	42.0901578	1	Guard Tube, Inner
12	42.0901579	2	Bearing Ring, SC25
13	07.20665	1	Restraint Chain
14	09.50101	2	Screw
15	17.00164	1	Decal, Outer
16	17.00165	1	Decal, Inner
17	42.0901580	1	Guard Cone, 6 Rib Flex
18	42.0900098	1	Bolt, M10 x 60 Gr8.8 & M10 Locknuts (Package of 5 each)
19	42.0900849	1	PTO Shaft - Complete

9.01 Hydraulic Drive Assembly - G6060 & G6070



9.01 Hydraulic Drive Assembly - G6060 & G6070

Item	Part No.	Quantity	Description
1	901105	8	Washer, Flat, 3/8 in. SAE
2	907779	11	Nut, Hex Nylon Flange Lock, 3/8-16 Yellow Zinc
3	902300	8	Bolt, Hex, 3/8-16 x 1 in. Gr 5 Yellow Zinc
4	42.0900762	1	Tank, Hydraulic w/Pump & Decals (Includes Items 4a thru 4g)
4a	42.1500686	1	Cap, Breather
4b	42.0900240	1	Pump Kit w/Relief Valves & Gasket (Includes Items 4c & 4d)
4c	42.0900395	1	Relief Valves (1 set)
4d	42.0901129	1	Gasket, Pump Flange
4e	42.0901128	1	Gasket, Top Access Plate
4f	42.0901130	1	Hose, Hydraulic, 3/8 NPT x 22 in. 2WB - 1.000
4g	21.00300	1	Plug, Oil Drain
5	907057	13	Washer, Flat, .388 x 1.25 x .12 in.
6	907399	4	Nut, Hex Nylon Flange Lock, 1/2-13
7	322848B1	6	Clip, Hydraulic Line
8	902367	4	Bolt, Hex, 3/8-16 x 1-1/4 in. Gr 5
9	42.1541780	1	Motor, Hydraulic, Conveyor
9a	16.21179	1	Seal Kit, Hydraulic Motor
9b	42.0901800	1	Key, Shaft (Hydraulic Motor)
10	42.1541757	1	Base, Filter
11	42.1540167	1	Filter, Hydraulic, P551553
12	42.0900248	1	Reservoir, Tubular - G6070 Only
	42.0900247	1	Reservoir, Tubular - G6060 Only (Optional)
13	21.00340	1	Clamp, 1-1/2 in. Vinyl
14	900502	2	Washer, Lock, 1/4 in.
15	904863	2	Bolt, Hex, 1/4-20 x 3/4 in. Gr 5
16	42.1030014.8	1	Coupling, Cable Rewind
17	42.6008011	1	Mount, Hydraulic Motor, 101 Series
19	901937	4	Washer, Flat, 1/2 in.
20	903306	4	Bolt, Hex, 1/2-13 x 1-1/2 in. Gr 5
21	09.74127	2	Adapter, 12 ORB x 3/4 MJIC
22	32.60755	1	Elbow, 1/2 MPT x 3/4 MJIC
23	32.60008	1	Adapter, 1/2 MPT x 10 JIC
24	42.1540551	3	Adapter, 12 ORB x 7/8 MJIC
25	907669	1	Tee, Swivel Run, 10 JIC
26	907554	1	Tee, Branch, 10 JIC Swivel
27	42.0900557	1	Valve, Flow Control w/Handle - Conveyor & Cable Rewind
	42.0900175	1	Handle Kit
	42.0900176	1	Seal Kit
	42.0900177	1	Relief cartridge
	42.0000272	1	Knob
28	900445	1	Screw, Set, 3/8-16 x 1/2 in.

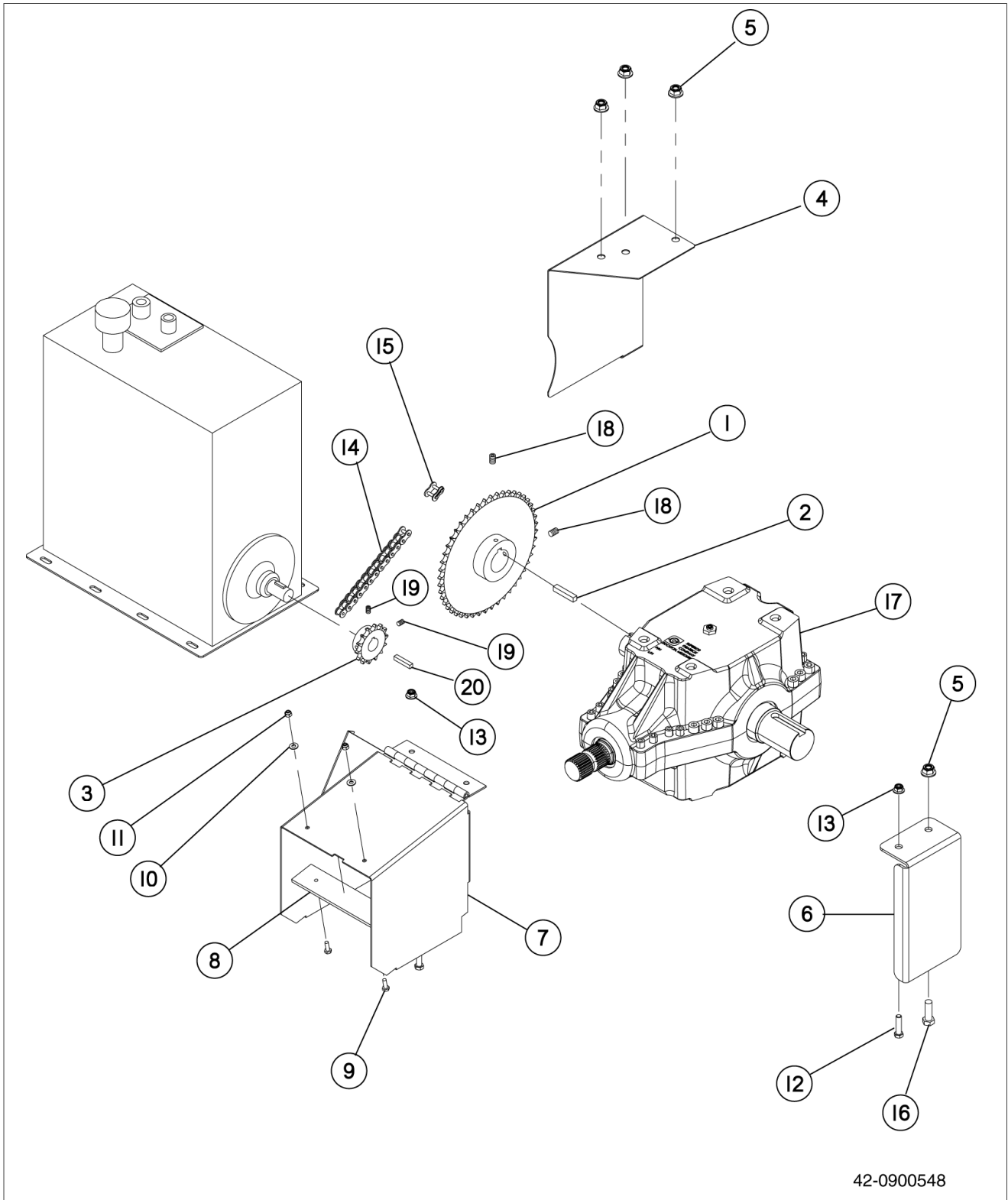
Section 9

9.01 Hydraulic Drive Assembly - G6060 & G6070

Item	Part No.	Quantity	Description
29	903376	3	Nut, Hex Lock, 1/4-20 Whizlock
30	907614	3	Bolt, Button Head, 1/4-20 x 1-1/2 in. Stainless Steel
31	40.00147	3	Connector, 37° ORB 7/8-14
32	904214	1	Bolt, Hex, 3/8-16 x 3-1/2 in. Gr 5
33	907348	1	Screw, Hex Hd, 1/4-20 x 3/4 in. Thread Cutting Stainless Steel
34	07.17851	2	Connector, Male, 3/8 JIC x 1/2 NPT
35	907168	1	Plug, 08 ORB
36	09.74125	1	Elbow, 90° 37° Flare, 3/4
37	907774	1	Connector, 06 MJIC x 10 ORB
38	42.1541054	1	Motor, Hydraulic, Charlyn 101-1272
38a	16.21179	1	Seal Kit, Hydraulic Motor
39	42.0900531	1	Hose, Hydraulic, 3/8 x 155 in. (Valve Pressure to Cable Rewind Motor)
40	42.0900532	1	Hose, Hydraulic, 3/8 x 152 in. (Cable Rewind Motor Return to Filter)
41	42.0900533	1	Hose, Hydraulic, 5/8 x 57 in. (Conveyor Motor Return to Filter)
42	42.0900534	1	Hose, Hydraulic, 5/8 x 52 in. (Valve Pressure to Conveyor Motor)
43	42.0900535	1	Hose, Hydraulic, 5/8 x 25 in. (Main Tank Pressure to Valve)
44	42.0900536	1	Hose, Return, 3/4 x 34 in. (Upper Auxiliary Tank to Main Tank)
45	42.0900537	1	Hose, Return, 3/4 x 43 in. (Filter to Lower Auxiliary Tank)
46	42.0900538	1	Hose, Hydraulic, 5/8 x 19 in. (Valve Return to Filter)

This Page Intentionally Left Blank

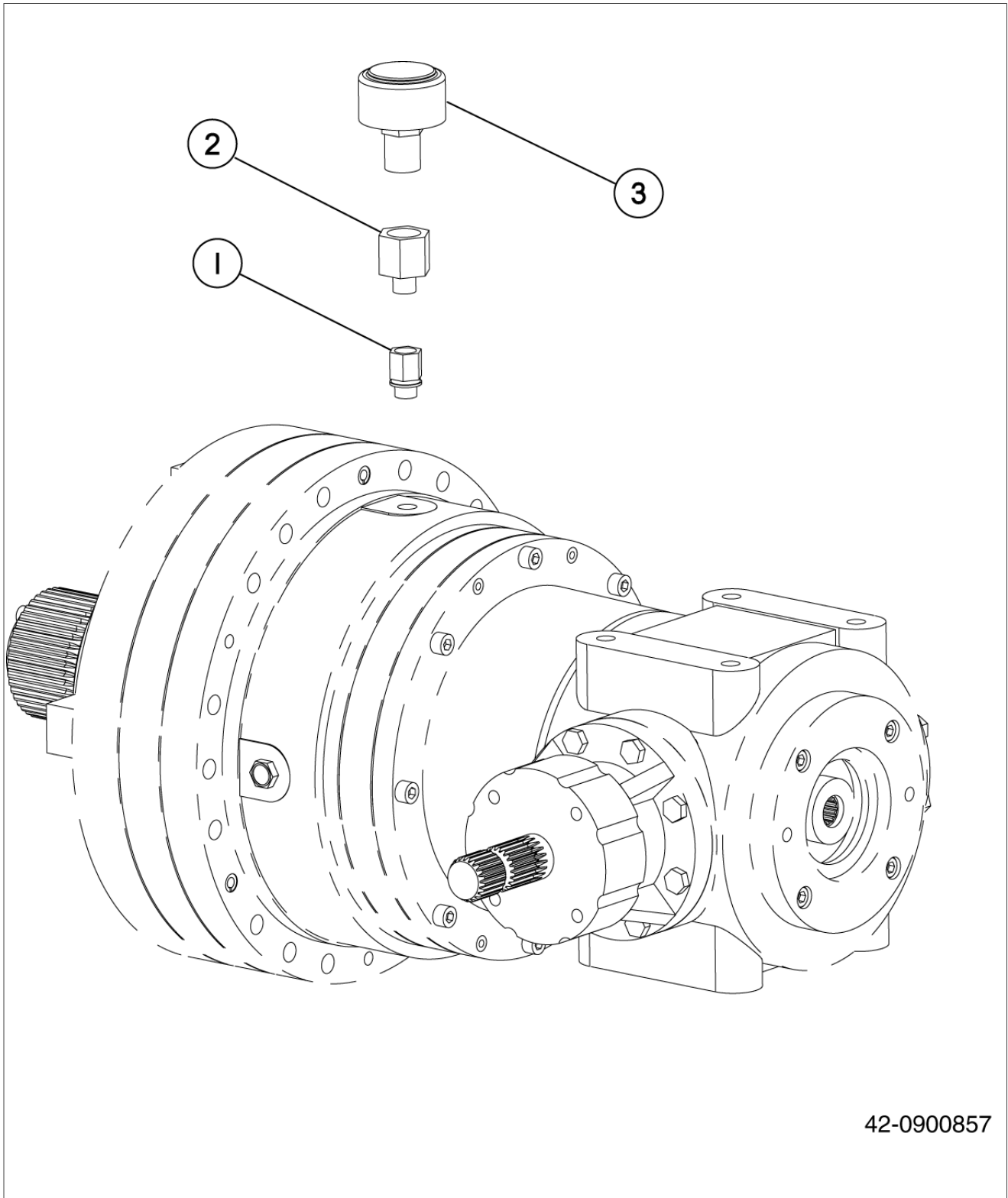
9.02 Hydraulic Drive, PTO Shield Assembly - G6070



9.02 Hydraulic Drive, PTO Shield Assembly - G6070

Item	Part No.	Quantity	Description
1	42.1520760	1	Sprocket, 50B48F x 1-3/4 in. Bore
2	42.6012005	1	Key, Square, 3/8 x 3/8 x 2 in.
3	42.1520759	1	Sprocket, 50B14F x 1 in. Bore
4	42.0900459	1	Shield, Rear Pump Drive
5	907399	4	Nut, Hex Nylon Flange Lock, 1/2-13
6	42.0900452	1	Shield, Gear Box PTO
7	42.0901479	1	Shield, Input, Flip Up w/Decals
8	42.1120061	1	UHMW Strip, PTO Guard
9	907270	2	Bolt, Hex, 1/4-20 x 3/4 in. Stainless Steel
10	907234	2	Washer, Flat, 1/4 in. Stainless Steel
11	907389	2	Nut, Hex Lock, 1/4-20 Nylock Stainless Steel
12	903848	2	Bolt, Hex, 3/8-16 x 1-1/2 in.
13	907779	2	Nut, Hex Nylon Flange Lock, 3/8-16 Yellow Zinc
14	42.1520761	1	Chain, #50 Riveted, 66P, 41 in. Long UST
15	42.1520073	1	Link, #50 Connector UST
16	903306	1	Bolt, Hex, 1/2-13 x 1-1/2 in. Gr 5
17	42.0901808	1	Gear Box, Dual Output
18	905582	2	Screw, Set, 3/8-16 x 1/2 in.
19	900441	2	Screw, Set, 5/16-18 x 5/16 in.
20	901172	1	Key, Square, 1/4 x 1/4 x 2 in.

9.03 Breather Assembly, Planetary - G6070P



42-0900857

9.03 Breather Assembly, Planetary - G6070P

Item	Part No.	Quantity	Description
1	907812	1	Adapter, 3/8 MBSPP x 3/8 FNPT
2	907811	1	Adapter, 3/8 MNPT x 3/4 FNPT
3	07.17994	1	Breather, 10 Micron, 3/4 MNPT

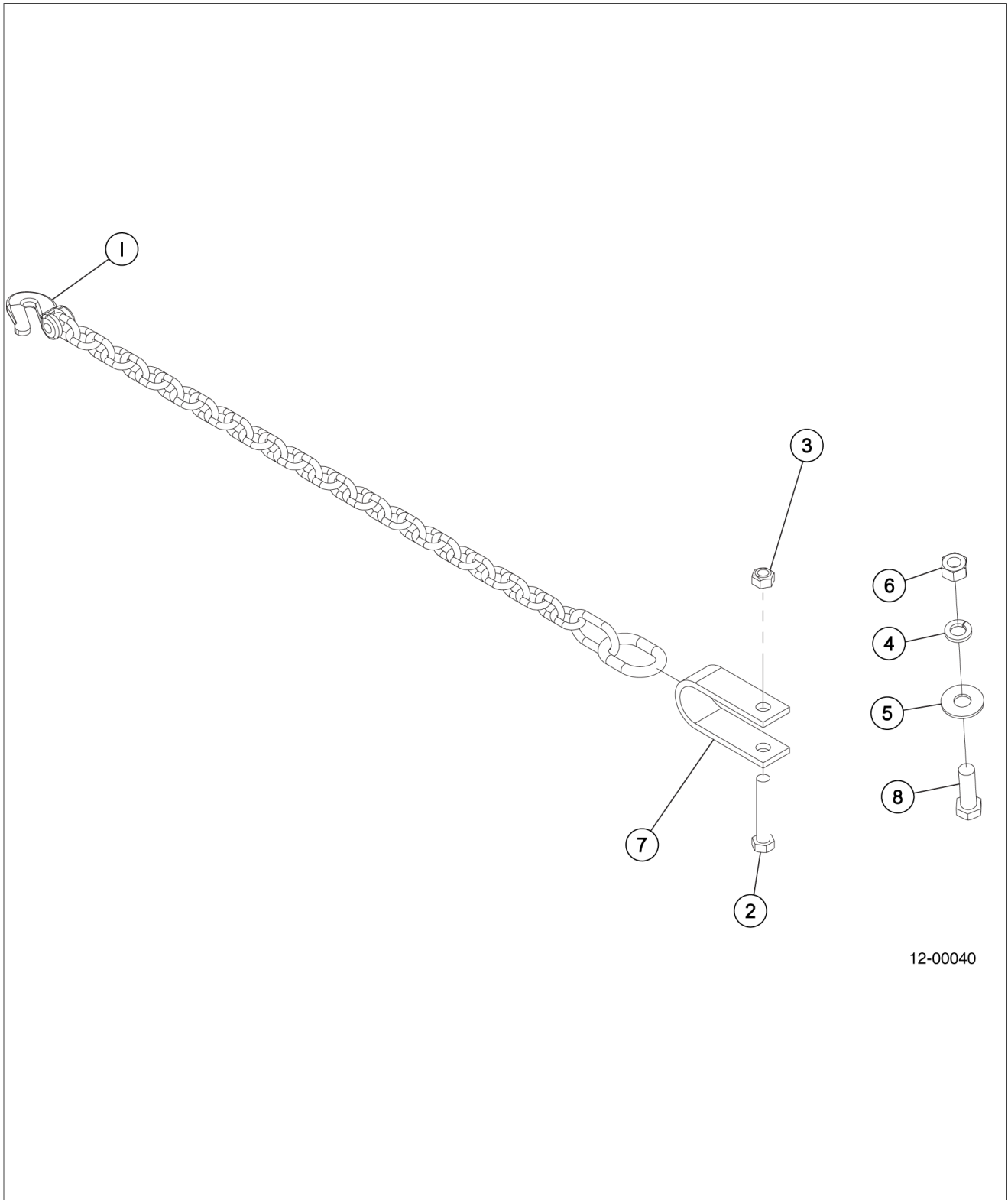
10.01 Miscellaneous Items



10.01 Miscellaneous Items

Item	Part No.	Quantity	Description
1	42.1500893	AR	Valve, Bag Vent
2	42.1500568	AR	Tool, Bag Vent
	42.1570001	AR	Spray Adhesive - Not Shown
	42.1500534	AR	Koster Moisture Tester - Not Shown
	42.1500523	18/Case	Repair Tape, 2 in. x 36 Yard Roll - Not Shown
	42.1500525	24/Case	Repair Tape, 3 in. x 36 Yard Roll - Not Shown
	42.1501331	18/Case	Repair Tape, 4 in. x 36 Yard Roll - Not Shown
3	42.1500272	AR	Master Seal, 250 Ft Roll
	42.1500270	AR	Master Seal, 9.5 ft Lengths 4/Box
	42.1500267	AR	Master Seal, 14.5 ft Lengths 4/Box For 8 & 9 ft Bags
	42.1500268	AR	Master Seal, 17 ft Lengths 4/Box For 10 ft Bags
	42.1500269	AR	Master Seal, 20 ft Lengths 4/Box For 11 & 12 ft Bags
4	42.1500273	AR	Master Seal Zip Tool
5	42.00000	AR	Inoculant, Granular, 50 lb Bucket (Treats 100 Ton)
6	42.00001	AR	Inoculant, Liquid 50 Ton Foil Pouch
	42.00002	AR	Inoculant, Liquid 250 Ton Foil Pouch For Inject. Sprayer
	42.1500473	1	Liquid Inoculant Applicator, 15 Gallon Sprayer - Not Shown
	42.1500474	1	Liquid Inoculant Applicator, 27 Gallon Sprayer - Not Shown
	42.1500475	1	Liquid Inoculant Applicator, 55 Gallon Sprayer - Not Shown
	42.1501207	1	Bird Netting, 30 x 100 Ft - Not Shown
	42.1501283	1	Bird Netting, 30 x 375 Ft - Not Shown
	42.1501208	1	Bird Netting, 30 x 500 Ft - Not Shown

10.02 Safety Chain Kit

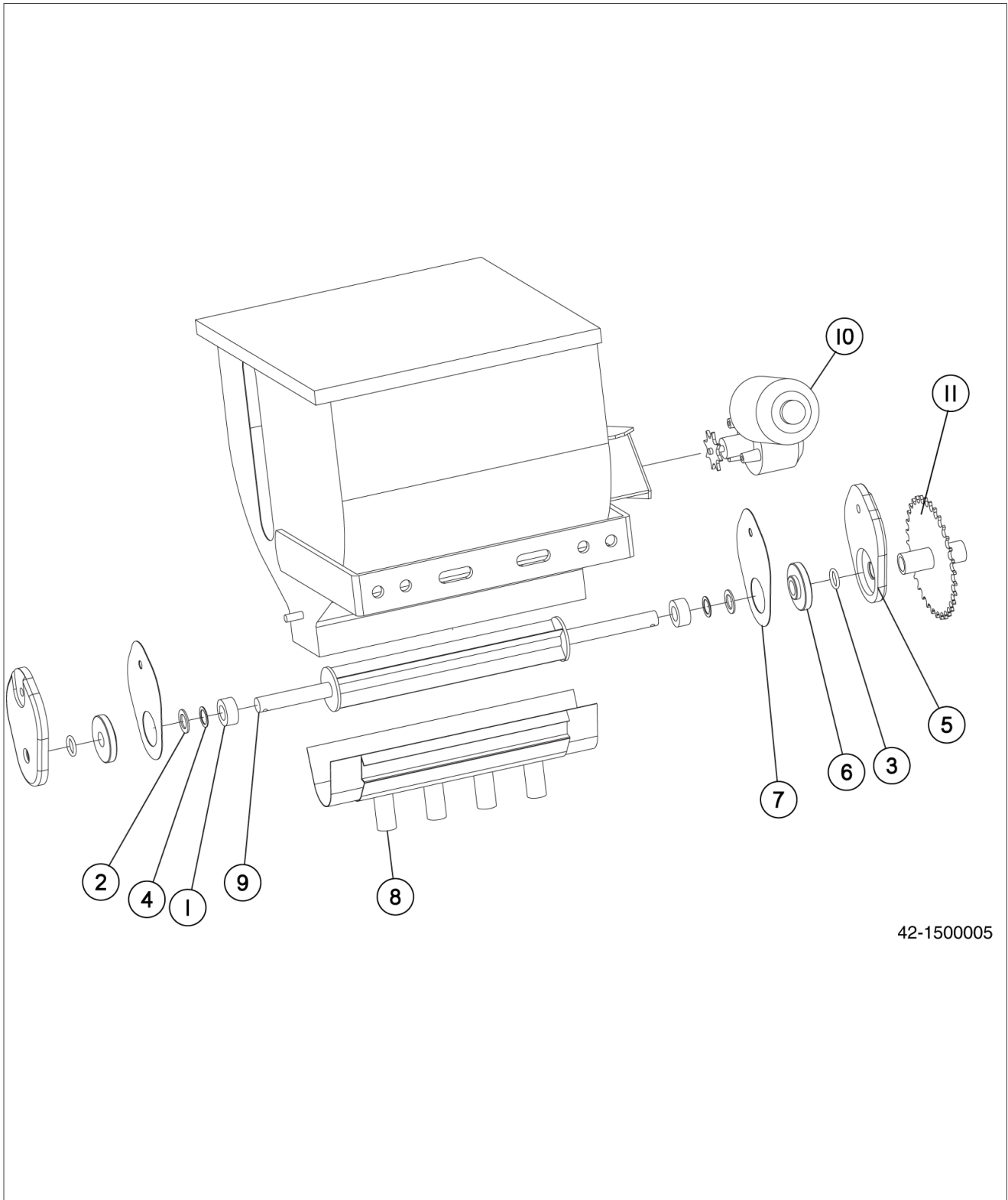


12-00040

10.02 Safety Chain Kit

Item	Part No.	Quantity	Description
1	907673	1	Chain, Safety
2	904635	1	Bolt, Hex, 5/8-11 x 3-1/2 in. Gr 5
3	902193	1	Nut, Hex Top Lock, 5/8-11
4	900700	1	Washer, Lock, 3/4 in. Yellow Zinc
5	900499	1	Washer, Flat, 3/4 in.
6	900372	1	Nut, Hex, 3/4-10
7	12.10006	1	Clevis
8	09.71754	1	Bolt, Hex, 3/4-10 x 2-1/4 in. Gr 5

10.03 Gandy, 45 lb. Dry Inoculant Applicator

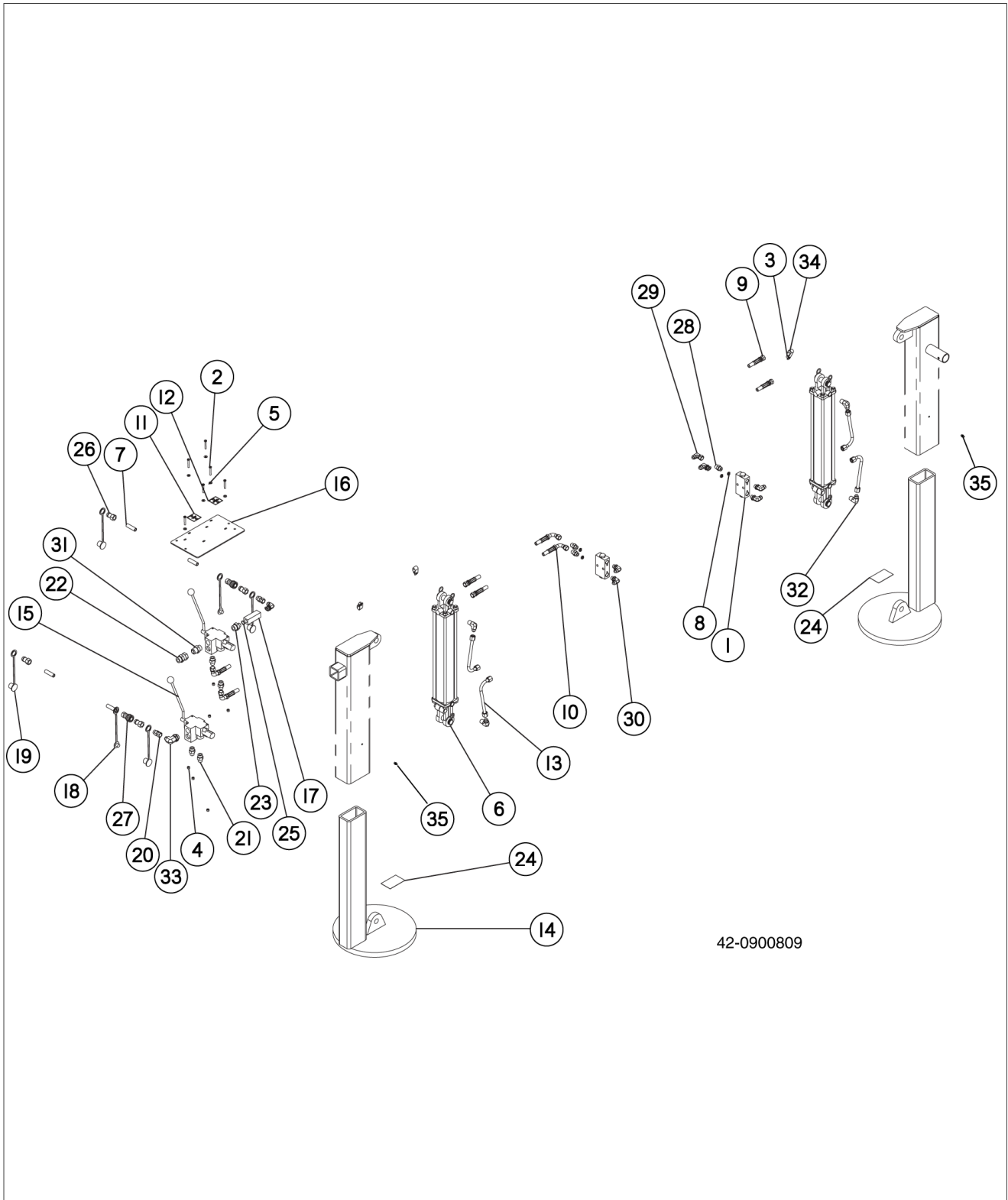


42-150005

10.03 Gandy, 45 lb. Dry Inoculant Applicator

Item	Part No.	Quantity	Description
1	42.1501991	2	Washer, Sponge, Gandy
2	42.1501922	2	Washer, Gandy
3	42.1501921	2	O-Ring, Rubber, Gandy
4	42.1501920	2	Washer, Gandy
5	42.1501630	2	Retainer, Bearing
6	42.1501628	2	Bearing, Gandy
7	42.1501621	2	Gasket, Bearing Retainer, Gandy
8	42.1500472	1	Bottom/Slide, 4 Hole Straight, Jumbo
9	42.1500344	1	Rotor, Gandy, Jumbo 10 in. Rubber
10	42.1500276	1	Motor, Electric, w/Brackets & Harness
11	42.1502070	1	Sprocket

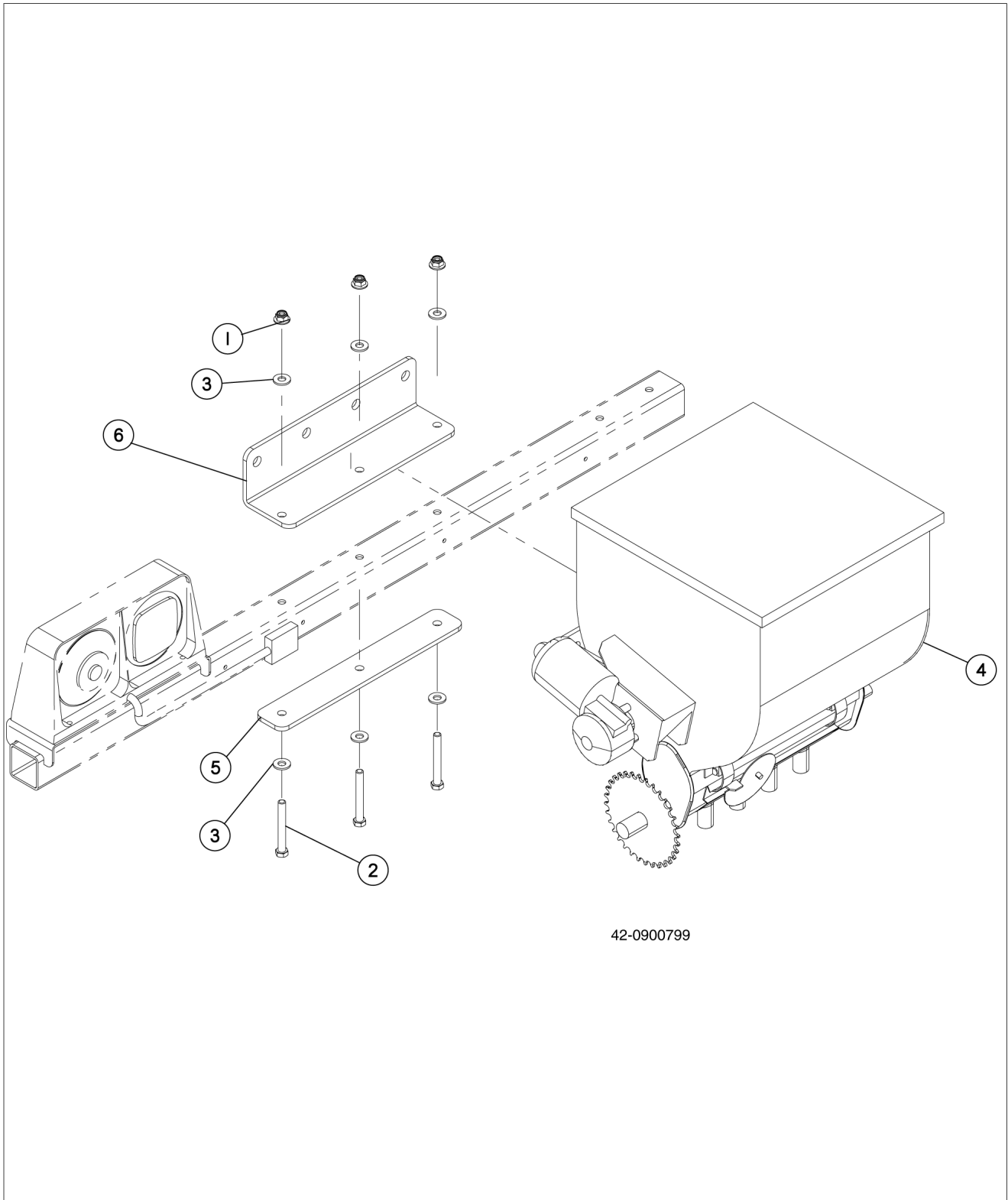
10.04 Hydraulic Lift Kit - G6060, G6070 & G6070P



10.04 Hydraulic Lift Kit - G6060, G6070 & G6070P

Item	Part No.	Quantity	Description
1	907912	2	PO Check Valve, Double -8 ORB
	42.0801293	1	Individual Cartridge (Included with Item 1)
2	907060	6	Bolt, Hex, 1/4-20 x 1-3/4 in. Gr 5
3	906400	3	Nut, Hex Lock, 3/8-16 Nylock
4	904092	6	Nut, Hex Lock, 1/4-20 Nylock
5	900493	6	Washer, Flat, 1/4 in. SAE Yellow Zinc
6	42.1541342	2	Cylinder, Hydraulic, 3 x 18 in.
7	42.0901412	2	Hose, Hydraulic, 3/8 x 144 in.
8	42.0901411	4	Orifice, -8 ORB One Way, .059 in.
9	42.0901320	2	Hose, Hydraulic, 3/8 x 150 in.
10	42.0901319	2	Hose, Hydraulic, 3/8 x 24 in.
11	42.0901317	1	Decal, Hitch End Lift
12	42.0901316	1	Decal, Conveyor End Lift
13	42.0901176	4	Tube, Hydraulic, 1/2 in. Lift, PO Check
14	42.0900830	2	Jack Base, Hydraulic Lift
15	42.0900558	2	Valve, Conveyor Lift w/Handle
16	42.0900466	1	Plate, Valve & Brake Pump Mount
17	40.00149	1	Check Valve
18	32.03085	2	Dust Plug, 1/2 in.
19	32.03084	4	Dust Cap, 1/2 in.
20	32.03077	2	Adapter, -08 ORB x 1/2 in. JIC Swivel
21	32.02101	4	Adapter, -10 ORB x 1/2 in. Male JIC
22	32.01956	1	Adapter, -12 ORB x 3/4 in. JIC Swivel
23	32.01940	1	Adapter, -12 ORB x 1/2 in. Male JIC
24	21.09025	2	Decal, Pinch Point
25	21.00902	1	O-Ring, SAE -8 (.64 I.D.)
26	09.74158	4	Coupler, Quik, Male, -08 ORB
27	09.74157	2	Coupler, Quik, 3/4-16 ORB Female
28	09.74155	3	Adapter, -08 ORB x 1/2 in. Male JIC
29	09.74149	1	Elbow, 90°, 1/2 in. JIC Swivel
30	09.74145	6	Elbow, -08 ORB x 1/2 in. Male JIC
31	09.74127	1	Adapter, -12 ORB x 3/4 in. Male JIC
32	07.19006	4	Elbow, 1/2 in. NPT x 1/2 in. Male JIC
33	07.17943	1	Elbow, -12 ORB x -08 Male JIC
34	05.73375	3	Clamp, Hose, .625 in. I.D. Double
35	900538	2	Grease Fitting, 1/4-28

10.05 Gandy Option - G6060, G6070 & G6070P

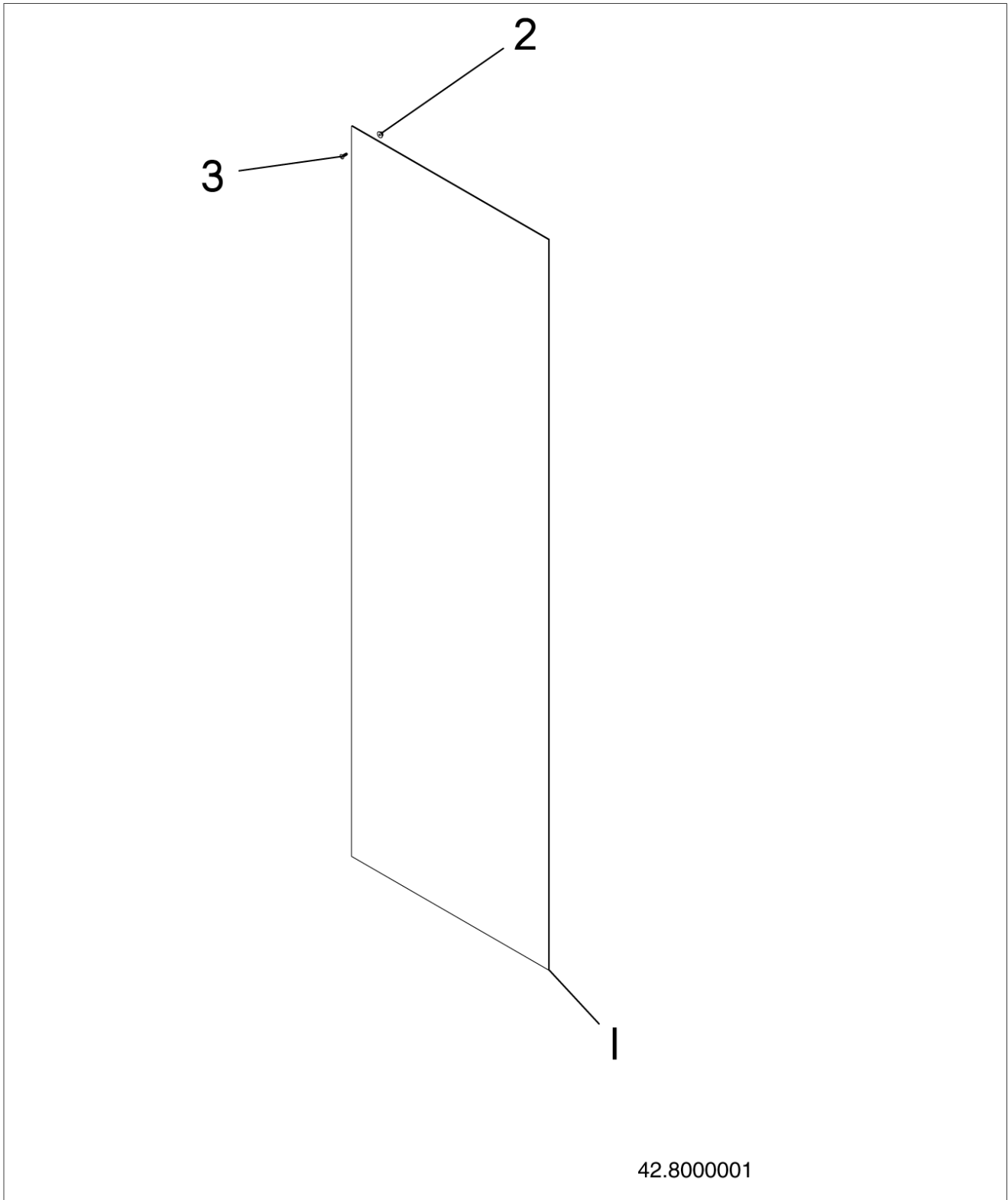


42-0900799

10.05 Gandy Option - G6060, G6070 & G6070P

Item	Part No.	Quantity	Description
1	907779	3	Nut, Hex Lock Flange, 3/8-16 Yellow Zinc Nylock
2	902831	3	Bolt, Hex, 3/8-16 x 3 in. Gr 5
3	901105	6	Washer, Flat, 3/8 in. SAE
4	42.1500005	1	Gandy, 45# 4H Dry Inoculant Applicator
5	42.0900443	1	Bar, Backup Gandy Base Mount
6	42.0900442	1	Angle, Gandy Base Mount

10.06 Option: Conveyor Liner



10.06 Option: Conveyor Liner

Item	Part No.	Quantity	Description
1	42.1501324	1	Sheet: Polyethylene - Hd 1/8 x 29-7/8 x 96
2	903376	4	Hhdnut - Lock 1/4 Whiz
3	908416	4	Screw: Fshcs, 1/4-20 x 3/4 Yellow Zinc



Part Number Index

The Part Number Index is a numeric index of all part numbers included in this manual. The index shows what page(s) the part is used on.

Part Number	Page	Part Number	Page	Part Number	Page	Part Number	Page
01.73266	7	341077B1	22	42.0900408	51	42.0901129	67
01.77800	53	344405B1	57	42.0900413	7	42.0901130	67
05.73120	7, 13, 49	40.00147	68	42.0900415	9	42.0901176	81
05.73375	41, 81	40.00149	81	42.0900427	59	42.0901262	22
07.17764	35	42-0901581	53	42.0900434	37	42.0901263	22
07.17843	39	42.00000	75	42.0900441	35	42.0901271	22
07.17851	68	42.0000042	63	42.0900442	83	42.0901316	81
07.17861	39	42.0000093	7	42.0900443	83	42.0901317	81
07.17943	81	42.0000094	7	42.0900445	7	42.0901319	81
07.17994	73	42.0000095	7	42.0900447	7, 9	42.0901320	81
07.19006	81	42.00001	75	42.0900452	71	42.0901393	25
07.20665	65	42.0000101	22	42.0900457	59	42.0901394	25
09.50101	65	42.00002	75	42.0900458	59	42.0901397	25
09.70985	22	42.0000272	67	42.0900459	71	42.0901402	25
09.71112	17, 41	42.0000317	55	42.0900460	51	42.0901411	81
09.71251	22, 25	42.0000318	55	42.0900461	51	42.0901412	81
09.71754	77	42.0000692	63	42.0900462	51	42.0901438	25
09.71756	17	42.0801293	81	42.0900463	51	42.0901439	25
09.72010	22, 25, 31	42.0900004	22, 25	42.0900466	81	42.0901479	71
09.74125	68	42.0900005	21, 25	42.0900468	39	42.0901518	17
09.74127	39, 67, 81	42.0900006	21, 25	42.0900484	35	42.0901519	17
09.74145	81	42.0900007	21, 25	42.0900531	68	42.0901520	41
09.74149	81	42.0900009	21	42.0900532	68	42.0901533	35
09.74155	81	42.0900013	39	42.0900533	68	42.0901559	63
09.74157	81	42.0900014	53	42.0900534	68	42.0901560	63
09.74158	81	42.0900019	21, 25	42.0900535	68	42.0901561	63
11.80534	59, 61	42.0900020	21	42.0900536	68	42.0901562	63
12.10006	77	42.0900034.5	22	42.0900537	68	42.0901563	53
16.0901679	9	42.0900035	22	42.0900538	68	42.0901564	53
16.10818	51	42.0900036	22	42.0900539	41	42.0901565	53
16.20144.5	22, 25	42.0900037	22	42.0900540	41	42.0901566	53
16.20165	51	42.0900038	22	42.0900549	49	42.0901567	53
16.20177	53	42.0900040	41	42.0900554	31, 37	42.0901569	65
16.20178	53	42.0900044	63	42.0900557	67	42.0901570	65
16.20179	53	42.0900045	22	42.0900558	39, 81	42.0901571	65
16.20181	53	42.0900049	51	42.0900559	59, 61	42.0901572	65
16.21179	26, 31, 67, 68	42.0900052	51	42.0900562	11	42.0901573	65
17.00164	65	42.0900054	51	42.0900567	21	42.0901574	65
17.00165	65	42.0900056	17	42.0900569	39	42.0901575	65
17.00650	22, 51	42.0900061	19	42.0900570	39	42.0901576	65
17.00750	35	42.0900062	19	42.0900571	39	42.0901577	65
17.00863	39	42.0900098	65	42.0900575	39	42.0901578	65
17.01155	53	42.0900108	63	42.0900583	22	42.0901579	65
18.00097	37	42.0900112	63	42.0900756	9	42.0901580	65
21.00300	67	42.0900121	63	42.0900762	67	42.0901582	65
21.00340	67	42.0900122	63	42.0900775	9	42.0901583	65
21.00516	39	42.0900123	63	42.0900820	53	42.0901587	17
21.00902	81	42.0900124	63	42.0900821	53	42.0901687	22
21.09024	53	42.0900154	63	42.0900822	53	42.0901688	25
21.09025	81	42.0900165	15	42.0900823	53	42.0901739	53
21.20917	51	42.0900174	17	42.0900830	81	42.0901767	29
21.22733	51	42.0900175	67	42.0900837	53	42.0901770	25
21.30727	41	42.0900176	67	42.0900849	65	42.0901787	31
22.00188	22, 25	42.0900177	67	42.0900852	65	42.0901788	31
303629B1	22, 25	42.0900181	15	42.0900863	7	42.0901789	31
32.01940	81	42.0900190	15	42.0900940	61	42.0901790	19
32.01956	39, 81	42.0900191	15	42.0900987	29	42.0901791	11
32.02101	81	42.0900192	15	42.0901002	29	42.0901792	11
32.03077	81	42.0900240	67	42.0901003	29	42.0901796	22
32.03084	81	42.0900246	7, 9	42.0901009	29	42.0901800	26, 31, 67
32.03085	81	42.0900247	67	42.0901011	25	42.0901808	7, 55, 71
32.60008	67	42.0900248	67	42.0901014	25	42.0901809	7, 57
32.60011	41	42.0900371	7, 9	42.0901019	25, 29	42.0901809R	7, 57
32.60704	39	42.0900372	7	42.0901020	25	42.0901875	55
32.60755	67	42.0900373	11	42.0901022	25	42.0901876	55
32.61133	39	42.0900375.8	13	42.0901023	25	42.0901877	57
322848B1	39, 67	42.0900377	17	42.0901034	29	42.0901878	57
329594B2	63	42.0900380	7	42.0901035	25	42.0901884	57
331639B2	63	42.0900385	45	42.0901037	25	42.0901885	57
333532B2	53	42.0900395	67	42.0901101	55, 57	42.0901886	57
340248B1	53	42.0900397	31, 45	42.0901128	67	42.0901887	57



Part Number Index (continued)

Part Number	Page	Part Number	Page	Part Number	Page	Part Number	Page
42.0901888	57	42.1502070	79	42.6006088	11	902367	21, 26, 31, 35,
42.0901889	57	42.1502166	17, 21, 25	42.6006089	11		45, 59, 67
42.0901890	57	42.1510020	31	42.6006113	11	902410	13
42.0901891	57	42.1510044	7, 9	42.6006114	11	902831	51, 83
42.0901910	57	42.1510047	7, 9	42.6008003	32	902859	61
42.1000001	9	42.1510059	55, 57	42.6008004.9	31	902884	31, 45
42.1000027	9	42.1510060	55, 57	42.6008011	31, 67	903033	21, 26, 31
42.1010034	13	42.1510199	55, 57	42.6008018	31	903096	55, 57
42.1020001	7, 9	42.1510215	55	42.6008020	21, 25, 31	903306	7, 9, 21, 26, 32,
42.1020018	7, 9	42.1520005	17	42.6008021	21, 25, 31		41, 51, 67, 71
42.1030014.8	67	42.1520068	17	42.6008027.9	31	903376	39, 68, 85
42.1030069	43	42.1520073	71	42.6008052	21, 25, 31	903437	37, 59
42.1060036	45	42.1520086	17	42.6008058	32	903518	7, 9
42.1060039	45	42.1520124	17	42.6008072	21, 32	903690	29
42.1090008	47	42.1520316	55	42.6008073	21, 32	903824	21, 26
42.1090014	47	42.1520318	31	42.6008075	32	903832	7, 9, 11
42.1090026	47	42.1520664	17	42.6008077	21, 25	903848	31, 71
42.1120061	71	42.1520757	17	42.6008088	22, 31	903849	45
42.1150171	13, 49	42.1520759	71	42.6008089	22	904092	32, 51, 81
42.1500005	83	42.1520760	71	42.6008092	31	904214	68
42.1500142	41	42.1520761	71	42.6008093	31	904215	7, 9
42.1500199	41	42.1520773	22, 31, 32	42.6008104	21	904217	47
42.1500267	75	42.1520774	55, 57	42.6011010	7	904246	35
42.1500268	75	42.1530028	53	42.6012005	71	904253	7
42.1500269	75	42.1530054	53	42.6012011	19	904324	29
42.1500270	75	42.1530065	53	42.6012018	19	904336	59
42.1500272	75	42.1540167	67	44.01604	55, 57	904464	59, 61
42.1500273	75	42.1540448	41	601312	22	904520	22, 31
42.1500276	79	42.1540551	39, 67	65.10083	39	904635	77
42.1500294	41	42.1540898	31	900143	37	904674	31
42.1500329	15	42.1541054	68	900188	21, 25	904744	26
42.1500338	55	42.1541121	41	900369	17, 22, 25, 31	904763	35, 41
42.1500344	79	42.1541342	81	900372	77	904768	55, 57
42.1500377	13	42.1541519	26, 29	900441	71	904863	51, 67
42.1500381	55, 57	42.1541757	67	900445	31, 67	904871	22
42.1500412	47	42.1541774	55, 57	900480	25	905011	51
42.1500472	79	42.1541780	26, 31, 67	900493	21, 25, 31, 81	905050	13
42.1500473	75	42.1542021	41	900494	41, 59, 61	905354	21, 26
42.1500474	75	42.1550136	13	900495	32, 45	905401	43
42.1500475	75	42.1550172	7	900496	17, 21, 25	905456	55, 57
42.1500483	17	42.1550228	13	900497	21	905501	17, 21, 26
42.1500523	75	42.1560000	11	900498	11, 21, 25	905582	71
42.1500525	75	42.1560001	11	900499	17, 77	906243	22
42.1500534	75	42.1560004	11	900502	67	906339	17
42.1500568	75	42.1560005	47	900506	25	906349	7, 9, 17
42.1500686	67	42.1560006	47	900508	7	906385	55
42.1500893	75	42.1570001	75	900509	35	906392	41
42.1501207	75	42.1590024	31	900512	29	906400	11, 32, 45, 51, 81
42.1501208	75	42.1590065	43	900537	21, 26, 29, 31	906401	7, 9, 29, 32, 51
42.1501279	31, 37	42.1590066	43	900538	81	906402	7, 9, 11, 21, 26,
42.1501283	75	42.4070028	17	900549	21, 26		35, 41, 45, 47
42.1501314	31	42.6000127	19	900665	43	906483	29
42.1501318	31	42.6002002	17	900700	77	906492	21, 26
42.1501324	32, 85	42.6002007	17	900703	31	906537	26
42.1501331	75	42.6002008	7, 9	900709	21, 26, 31	906548	21, 26
42.1501348	41	42.6003013	43	900972	22	907057	67
42.1501398	7	42.6003014	43	901105	21, 26, 35, 59,		
42.1501400	7	42.6003018	43		67, 83	907060	22, 81
42.1501517	32	42.6003021	7, 9	901150	13	907146	41
42.1501518	17	42.6003024	7	901151	13	907168	68
42.1501519	21, 25, 32	42.6003025	7	901172	21, 26, 71	907219	51, 53
42.1501611	21, 25, 32	42.6006005	11	901181	13	907220	51, 53
42.1501621	79	42.6006012	11	901182	13	907225	53
42.1501628	79	42.6006037	11	901292	37, 43	907232	39
42.1501630	79	42.6006063	47	901619	35	907234	19, 71
42.1501637	63	42.6006074	11	901633	35	907270	19, 41, 71
42.1501638	63	42.6006075	11	901763	22	907311	51
42.1501691	45	42.6006077	11	901850	29	907312	51
42.1501790	63	42.6006079	11	901937	26, 32, 67	907348	51, 68
42.1501920	79	42.6006081	11	902193	77	907389	19, 22, 41, 71
42.1501921	79	42.6006085	11	902300	21, 26, 31, 37, 67	907391	11
42.1501922	79	42.6006086	11	902364	21, 26, 31	907392	26
42.1501991	79	42.6006087	11			907399	21, 41, 67, 71
						907400	22



Part Number Index (continued)

Part Number	Page
907465	11
907467	11
907472	29
907510	53
907554	67
907613	41
907614	19, 39, 68
907625	59, 61
907669	67
907673	77
907688	17
907689	11
907695	41
907725	17
907757	13
907768	51
907774	68
907775	39
907777	17
907779	21, 26, 35, 41, 67, 71, 83
907784	21, 26
907808	9
907809	9
907811	73
907812	73
907896	55
907912	81
908187	51
908188	51
908333	26, 29
908416	85
NSS	25, 63



Part Description Index

The Part Description Index is an alphabetical index of all part descriptions included in this manual. The index shows what page(s) the part is used on.

A

Adapter (For Bearing With Thread).....26, 29
 Adapter, -08 ORB x 1/2 in. JIC Swivel.....81
 Adapter, -08 ORB x 1/2 in. Male JIC.....81
 Adapter, -10 ORB x 1/2 in. Male JIC.....81
 Adapter, -12 ORB x 1/2 in. Male JIC.....81
 Adapter, -12 ORB x 3/4 in. JIC Swivel.....81
 Adapter, -12 ORB x 3/4 in. Male JIC.....81
 Adapter, 1/2 MPT x 10 JIC.....67
 Adapter, 12 ORB x 3/4 in. JIC Swivel.....39
 Adapter, 12 ORB x 3/4 in. MJIC.....39
 Adapter, 12 ORB x 3/4 MJIC.....67
 Adapter, 12 ORB x 7/8 in. MJIC.....39
 Adapter, 12 ORB x 7/8 MJIC.....67
 Adapter, 3/8 MBSPP x 3/8 FNPT.....73
 Adapter, 3/8 MNPT x 3/4 FNPT.....73
 Adapter, Swivel.....32
 Adaptor, #2 MP x #2 FPS.....21, 25
 Adaptor, #6 MO x #4 MP.....41
 Adjuster, Bearing LH.....22
 Adjuster, Bearing RH.....22
 Adjuster, Chain.....25
 Angle, Gandy Base Mount.....83
 Angle, Slide Frame Clamp (G6060 & PB6000 Only).....32
 Apron, Short, 16 Slat.....21, 25

B

Backstop, 10 Ft - G6070 & G6070P Only.....47
 Backstop, 8-9 Ft - G6060 & PB6000 Only.....47
 Bar, Adjustable Chain Tensioner.....17
 Bar, Backup Gandy Base Mount.....83
 Bar, Light Tube Cover.....51
 Base, Filter.....67
 Bearing Cone, 2.750 TK #33275.....55
 Bearing Cone, TK #5565.....55
 Bearing Cone, TK #HM807044.....55
 Bearing Cup, 4.125 TK #HM807010.....55
 Bearing Cup, 4.6250 TK #33462.....55
 Bearing Cup, TK #5535.....55
 Bearing Ring, SC25.....65
 Bearing, 1 in. - 2 Bolt Flange.....31
 Bearing, 2 Bolt Flange (G6060 & PB6000 Only).....31
 Bearing, 2 Bolt Flange 1-1/4 in.....22
 Bearing, 2 Bolt Flange, 1-1/4 in.....22
 Bearing, 4 Bolt Flange.....7, 9
 Bearing, Drive, 2-15/16 in. 4 Bolt Footed - G6060 Only.....7
 Bearing, Drive, 3-7/16 in. Spherical 4 Bolt Footed.....7
 Bearing, Gandy.....79
 Bearing, Idle, 2-15/16 in. 4 Bolt Footed.....9
 Bearing, R-Liube, 1-1/4 in. 2 Bolt.....25
 Bearing, R-Lube, 1-1/4 in. 2 Bolt.....29
 Bearing, Split Babbit.....7, 9
 Bird Netting, 30 x 100 Ft - Not Shown.....75
 Bird Netting, 30 x 300 Ft - Not Shown.....75
 Bird Netting, 30 x 575 Ft - Not Shown.....75
 Bolt Bag, Tunnel Extension (Consists Of Items: 8, 16 & 17).....11

Bolt Bag, Tunnel Hardware (Consists Of Items: 3 thru 6).....11
 Bolt, 5/16-18 x 1.00 HHCS Gr8.....57
 Bolt, Button Hd, 1/4-20 x 1-1/2 in. Stainless Steel.....19, 39
 Bolt, Button Hd. 3/8-16 x 1 in. Stainless Steel.....11
 Bolt, Button Head, 1/4-20 x 1-1/2 in. Stainless Steel.....68
 Bolt, Button Head, 1/4-20 x 3/4 in. Stainless Steel.....41
 Bolt, Carriage, 1/2-13 x 1-1/2 in. Gr 5 Short Neck.....26, 29
 Bolt, Carriage, 1/2-13 x 2 in. Gr 5.....26
 Bolt, Carriage, 1/2-13 x 5 in. Gr 5.....26
 Bolt, Carriage, 3/8-16 x 1 in.....25
 Bolt, Carriage, 3/8-16 x 1-1/2 in.....59
 Bolt, Carriage, 3/8-16 x 3/4 in. Gr 5 Yellow Zinc.....21, 26
 Bolt, Carriage, 5/16-18 x 1 in. Gr 5.....29
 Bolt, Carriage, Short Neck, 5/8-11 x 2-1/2 in. Gr 5.....21, 26
 Bolt, Hex Washer Hd, 3/8-16 x 3/4 in. Gr 5.....22, 25
 Bolt, Hex, 1/2-13 x 1-1/2 in. Gr 5.....7, 9, 21, 26, 51, 67, 71
 Bolt, Hex, 1/2-13 x 1-1/2 in. Gr 5 - G6070 & G6070P.....41
 Bolt, Hex, 1/2-13 x 1-3/4 in. Gr 5.....7, 9
 Bolt, Hex, 1/2-13 x 6 in. Gr 5 Full Thread.....22
 Bolt, Hex, 1/4-20 x 1 in. Gr 5 Yellow Zinc.....21, 26
 Bolt, Hex, 1/4-20 x 1-3/4 in. Gr 5.....22, 81
 Bolt, Hex, 1/4-20 x 1/2 in. Gr 5.....51
 Bolt, Hex, 1/4-20 x 3/4 in. Gr 5.....51, 67
 Bolt, Hex, 1/4-20 x 3/4 in. Stainless Steel.....41, 71
 Bolt, Hex, 1/4-20 x 3/4 in. Stainless Steel - G6060 & PB6000 Only.....19
 Bolt, Hex, 1/4-20 x 3/4 in. Stainless Steel - G6070 & G6070P Only.....19
 Bolt, Hex, 1/4-20 x 5/8 in. Gr 5.....21, 26
 Bolt, Hex, 3/4-10 x 2-1/4 in. Gr 5.....77
 Bolt, Hex, 3/4-10 x 3 in. Gr 5.....17
 Bolt, Hex, 3/4-10 x 3-1/2 in. Gr 5.....7, 9
 Bolt, Hex, 3/4-10 x 5-3/4 in.....17
 Bolt, Hex, 3/8-16 x 1 in. Gr 5 Yellow Zinc.....21, 26, 67
 Bolt, Hex, 3/8-16 x 1 in. Yellow Zinc.....37
 Bolt, Hex, 3/8-16 x 1-1/2 in.....71
 Bolt, Hex, 3/8-16 x 1-1/4 in. Gr 5.....21, 26, 35, 45, 59, 67
 Bolt, Hex, 3/8-16 x 2 in. Gr 5.....35
 Bolt, Hex, 3/8-16 x 2-1/2 in. Gr 5.....45
 Bolt, Hex, 3/8-16 x 3 in. Gr 5.....51, 83
 Bolt, Hex, 3/8-16 x 3-1/2 in. Gr 5.....68
 Bolt, Hex, 3/8-16 x 3/4 in. Gr 5.....21, 26
 Bolt, Hex, 3/8-16 x 4 in. Stainless Steel.....11
 Bolt, Hex, 5/16-18 x 1 in. Gr 5 Yellow Zinc.....61
 Bolt, Hex, 5/16-18 x 1-1/4 in. Gr 5 Yellow Zinc.....59, 61
 Bolt, Hex, 5/16-18 x 3/4 in. Gr 5 Special.....17, 41
 Bolt, Hex, 5/8-11 x 1-1/2 in. Gr 5.....35

Bolt, Hex, 5/8-11 x 2 in. Gr 5.....7
 Bolt, Hex, 5/8-11 x 2-1/2 in. Gr 5.....7, 9, 11
 Bolt, Hex, 5/8-11 x 3 in. Gr 5.....45
 Bolt, Hex, 5/8-11 x 3-1/2 in. Gr 5.....77
 Bolt, Hex, 5/8-11 x 5 in. Gr 5.....47
 Bolt, Hex, 5/8-11 x 8 in. Gr 5.....41
 Bolt, Hex, 7/16 in. x 1-1/2 in. Gr 5.....22
 Bolt, Hex, 7/16 in. x 1-3/4 in. Gr 5.....22
 Bolt, Hex, 7/16-14 x 1-1/4 in. Gr 5.....22
 Bolt, Hex, M14-2 x 180mm Gr 10.9.....9
 Bolt, M10 x 60 Gr8.8 & M10 Locknuts (Package of 5 each).....65
 Bolt, M12 x 55mm CL8.8.....63
 Bolt, SHCS, 1/2-13 x 2-1/4 in. Gr 8.....55
 Bolt, SHCS, 3/8-16 x 2-1/4 in.....55
 Bottom/Slide, 4 Hole Straight, Jumbo.....79
 Bracket, Bearing Bolts.....25
 Bracket, Conveyor Nose Cone.....21
 Bracket, Skirting - Small (G6060 & PB6000 Only).....31
 Bracket, w/Bolts, Adjuster.....25
 Brake Kit, Repair MICO.....41
 Brake Pad.....41
 Brake, Mico - G6070 & G6070P.....41
 Breather, 10 Micron, 3/4 MNPT.....73
 Brg, Cone TK#33275 2.750.....57
 Brg, Cone TK#5565 2.000.....57
 Brg, Cone TK#HM807044 1.9375.....57
 Brg, Cup.....57
 Brg, Cup TK# 5535 4.8125.....57
 Brg, Cup TK#HM807010 4.125.....57
 Bulb, #1157.....51
 Bungee Cord, Bag Pan.....11
 Bungee Cord, Tunnel.....11
 Bushing, 1/2 NPT To 1/8 NPT.....55, 57
 Bushing, Machine, 1/2 in. x 14 Ga.....35

C

Cable Drum, Brake Side, 6 Ft Rotor - G6060 Only.....7
 Cable Drum, Non Brake Side, 6 Ft Rotor - G6060 Only.....7
 Cable, 1/4 in. x 17 Ft. (G6060 & PB6000 Only).....31
 Cable, 1/4 x 30 Ft, w/Hook.....45
 Cable, 7/16 x 195 Ft. G6060 Only.....43
 Cable, 7/16 x 245 Ft. - G6070 & G6070P Only.....43
 Cable, Conveyor Lift, 1/4 in. x 17 Ft.....37
 Cap, Breather.....67
 Cap, Dust.....13
 Cap, Rotor Tooth, Weld On.....7, 9
 Capscrew, Hex Hd. 1/2-13 x 1-1/2 in. Gr 5.....32
 Capscrew, Hex Hd. 1/2-13 x 6 in.....31
 Capscrew, Hex Hd. 1/4-20 x 1 in. Gr 5.....31
 Capscrew, Hex Hd. 3/8-16 x 1 in. Gr 5.....31
 Capscrew, Hex Hd. 3/8-16 x 1-1/2 in. Gr 5.....31
 Capscrew, Hex Hd. 3/8-16 x 1-1/4 in. Gr 5.....31
 Capscrew, Hex Hd. 3/8-16 x 2-1/2 in. Gr 5.....31



Part Description Index (continued)

Capscrew, Hex Hd. 5/16-18 x 3/4 in. Gr 5....31
CARDANTube.....63
Chain, #40-2, 16 Pitches w/ Connector.....22, 25
Chain, #50 Riveted, 66P, 41 in. Long UST.....71
Chain, Conveyor Complete (G6060 & PB6000 Only).....31
Chain, Conveyor, Long w/Weld On Flight.....25
Chain, Long w/Weld On Flight.....21
Chain, Roller, #120-2 59P - G6060 & PB6000 Only.....17
Chain, Roller, #120-2, 7.875 Ft, 63 P, UST - G6070 Only.....17
Chain, Roller, #50, 114 Pitches.....21, 25
Chain, Safety.....77
Check Valve.....81
Clamp, 1-1/2 in. Vinyl.....67
Clamp, 1-1/2 in. Vinyl - G6070 & G6070P...41
Clamp, Cable (G6060 & PB6000 Only).....31
Clamp, Cable, 1/4 in.....37
Clamp, Hose, .625 ID Double - G6070 & G6070P.....41
Clamp, Hose, .625 in. I.D. Double.....81
Clamp, Single, .63 ID.....51
Clamp, Single, .63 in. ID.....22
Clamp, Vinyl, .38 Dia.....51
Clean Out Door w/Decals.....29
Clevis.....77
Clip, Hydraulic Line.....39, 67
Complete Shield Kit.....63
Cone, Roller Bearing, 1-1/4 in.....13
Cone, Roller Bearing, 1-5/8 in.....13
Connector, 06 MJIC x 10 ORB.....68
Connector, 37° ORB 7/8-14.....68
Connector, Male, 3/8 in. JIC x 1/4 in. NPT...39
Connector, Male, 3/8 JIC x 1/2 NPT.....68
Connector, Male, JIC - NPT, 3/8 in. x 3/8 in.....39
Conveyor Adjuster End Weldment.....22
Conveyor Complete (Used On G6060 & PB6000 Only).....32
Conveyor End, Adjusting w/Decals (G6060 & PB6000 Only).....31
Conveyor Lower Assembly - Not Serviced Separately Refer to Lower Assembly Split Conveyor Page for Parts Breakdown.....25
Conveyor Roller, 1.250 in. Bore.....29
Conveyor, Frame w/Decals (G6060 & PB6000 Only).....31
Cotter Pin, Stainless Steel Hair Pin.....29
Coupler, Conveyor Motor (G6060 & PB6000 Only).....31
Coupler, Quik, 3/4-16 ORB Female.....81
Coupler, Quik, Male, -08 ORB.....81
Coupling, Cable Drum.....7, 9
Coupling, Cable Rewind.....67
Cover, Cable Drum.....41
Cover, Drive Chain.....25
Cradle, Bag Boom, 10' - G6070 & G6070P Only.....11
Cradle, Bag Boom, 8' & 9' - G6060 & PB6000 Only.....11
Cradle, Bag Boom, 9' - G6070 & G6070P Only.....11
Cross & Bearing Kit.....65

Cross Kit, #8, 35 x 106.....63
Cup, Bearing, Inner.....13
Cup, Bearing, Outer.....13
Cylinder, Hydraulic, 2 in. x 28 in. x 1-1/8 in.....39
Cylinder, Hydraulic, 3 x 18 in.....81

D

Danger Label, Outer Drive Tube.....63
Danger/Shield Label.....63
Decal, 75W-90 Syn Oil.....53
Decal, Ag-Bag Logo, 7 x 19 in.....53
Decal, ag-bag.com, 1.75 x 20 in.....53
Decal, Ag-Bagger, 4 x 42 in.....53
Decal, Conveyor End Lift.....81
Decal, Conveyor Raise/Lower.....39
Decal, Conveyor/Cable Rewind.....53
Decal, G6060 (G6060).....53
Decal, G6070 (G6070 & G6070P).....53
Decal, Grease.....53
Decal, Grease Rotor Bearing.....53
Decal, Hitch End Lift.....81
Decal, Important, Cable Guide Removal.....53
Decal, Important, Lug Nuts.....53
Decal, Inner.....65
Decal, Notice, Hydraulic Oil Only.....53
Decal, Notice, Tractor Neutral.....53
Decal, Oil Chain.....53
Decal, Outer.....65
Decal, Pinch Point.....81
Decal, Red Retroreflective 2 x 9 in.....51
Decal, Red Retroreflective, 2 x 9 in.....53
Decal, SMV Emblem.....53
Decal, Yellow Retroreflective 2 x 9 in.....51
Decal, Yellow Retroreflective, 2 x 9 in.....53
Deflector Weldment, Adjustment End.....29
Deflector, 2 Stage Conveyor G6070 & G6070P.....22
Deflector, 2 Stage Conveyor w/Decal.....25
Deflector, 2 Stage Conveyor w/Decals G6060.....22
Door Assembly, Conveyor with Hooks.....32
Drum, Cable, w/Brake Flange.....9
Drum, Cable, w/Brake Flange, 7 Ft Rotor.....7
Dust Cap, 1/2 in.....81
Dust Plug, 1/2 in.....81

E

Elbow, -08 ORB x 1/2 in. Male JIC.....81
Elbow, -12 ORB x -08 Male JIC.....81
Elbow, 1/2 in. NPT x 1/2 in. Male JIC.....81
Elbow, 1/2 MPT x 3/4 MJIC.....67
Elbow, 45° Street, #4 MP x #4 FP.....41
Elbow, 90° #6 ORB x #6 NPT.....39
Elbow, 90° 10 MJIC x FJIC.....39
Elbow, 90° 10 ORB x 6 MJIC.....39
Elbow, 90° 37° Flare, 3/4.....68
Elbow, 90°, 1/2 in. JIC Swivel.....81

F

Filter, Hydraulic, P551553.....67
Fitting, Grease (G6060 & PB6000 Only).....31
Fitting, Grease, 1/8 PTF.....26
Fitting, grease, 1/8 PTF.....21
Fitting, Grease, 1/8-PTF.....29

Fitting, Hose End Swivel (Use With Grease Lines).....32
Flexible Roll Pin, #8/9 Inner, 12 x 75mm.....63
Flexible Roll Pin, #8/9 Outer, 12 x 90mm.....63
Frame Weldment.....7, 9
Frame, Bag Boom, 8-10 Ft.....45
Frame, Conveyor Slide.....35

G

Gandy, 45# 4H Dry Inoculant Applicator.....83
Gasket, Bearing Retainer, Gandy.....79
Gasket, Pump Flange.....67
Gasket, Top Access Plate.....67
Gauge, Liquid Fill, 2000 psi.....41
Gear.....55
Gear Box, Dual Output.....71
Gear, 700 Series.....57
Gearbox Complete.....57
Gearbox Complete, Viton Rebuilt.....57
Gearbox, Complete.....55
Gearbox, Dual Output Aluminum.....7
Gearbox, Dual Output Cast Iron.....7
Gearbox, Dual Output Cast Iron Viton Rebuilt.....7
Grease Fitting, 1/4-28.....81
Grease Fitting, M6 x 1 Straight (Not Serviced Separately).....63
Grease Line - 3/16 in. x 20.5 in. (Used On G6070 Only).....32
Grease Line - 3/16 in. x 40 in. (Used On G6060 & PB6000 Only).....32
Grease Zerk, 1/8 in. NPT Female.....21
Grease Zerk, 1/8 NPT Female.....26
Guard Cone, 6 Rib Flex.....65
Guard Cone, 7 Rib.....65
Guard Tube, Inner.....65
Guard Tube, Outer.....65
Guard, Conveyor Idle Shaft.....22
Guard, Conveyor Tail Shaft (G6060 & PB6000 Only).....31
Guard, Rotor Chain - G6060 & PB6000 Only.....17
Guard, Rotor Chain - G6070 Only.....17
Guide, Cable Rewind, Left.....43
Guide, Cable Rewind, Right.....43
Guide, Chain Conveyor - Left (G6060 & PB6000 Only) Not Shown.....32
Guide, Chain Conveyor - Right (G6060 & PB6000 Only) Not Shown.....32
Guide, Conveyor Chain, Top LH.....21
Guide, Conveyor Chain, Top RH.....21

H

Half Shaft, Cleared (Not Serviced Separately).....63
Half Shaft, Uncleared (Not Serviced Separately).....63
Half Shield Kit (Not Serviced Separately).....63
Handle Kit.....67
Harness, Lights (Includes Item 28).....51
Harness, Lights, Wishbone.....51
Hhdnut - Lock 1/4 Whiz.....85
Hinge, Beater Shield.....22, 25
Hitch, Field, 10 Ft - G6070 & G6070P.....7
Hold Down, Conveyor.....35



Part Description Index (continued)

Hold Down, Conveyor Chain.....21
 Hold Down, Conveyor Chain, Long.....25
 Hold Down, Conveyor Chain, Short.....25
 Holder, Plug Storage.....51
 Hook, Cover (Rubber).....22
 Hose, Brake, 3/8 x 122 in.....41
 Hose, Brake, 3/8 x 139 in. - G6070 & G6070P.....41
 Hose, Grease, 3/16 in. x 32 in.....21, 25
 Hose, Grease, 3/16 in. x 40 in.....21, 25
 Hose, Grease, 3/16 in. x 47 in.....21, 25
 Hose, Hydraulic, 1/4 in. x 26.5 in. 6 x 6 FJIC.....39
 Hose, Hydraulic, 3/8 in. x 42 in. 6 FJIC 45° x 6 FJIC.....39
 Hose, Hydraulic, 3/8 in. x 72 in. 6 FJIC 90° x 6 FJIC.....39
 Hose, Hydraulic, 3/8 NPT x 22 in. 2WB - 1.000.....67
 Hose, Hydraulic, 3/8 x 144 in.....81
 Hose, Hydraulic, 3/8 x 150 in.....81
 Hose, Hydraulic, 3/8 x 152 in. (Cable Rewind Motor Return to Filter).....68
 Hose, Hydraulic, 3/8 x 155 in. (Valve Pressure to Cable Rewind Motor).....68
 Hose, Hydraulic, 3/8 x 24 in.....81
 Hose, Hydraulic, 5/8 x 19 in. (Valve Return to Filter).....68
 Hose, Hydraulic, 5/8 x 25 in. (Main Tank Pressure to Valve).....68
 Hose, Hydraulic, 5/8 x 52 in. (Valve Pressure to Conveyor Motor).....68
 Hose, Hydraulic, 5/8 x 57 in. (Conveyor Motor Return to Filter).....68
 Hose, Return, 3/4 x 34 in. (Upper Auxiliary Tank to Main Tank).....68
 Hose, Return, 3/4 x 43 in. (Filter to Lower Auxiliary Tank).....68
 Housing, R700 TAP Improved.....55
 Housing, R700 THRU Improved.....55
 Hsg, Main Mach R70C.....57
 Hub Assembly With Cups & Studs.....13

I

I.Cone, Shield Cone, #8-9 Inner (Not Serviced Separately).....63
 Inboard Yoke, S4.....65
 Inboard Yoke, S5.....65
 Individual Cartridge (Included with Item 1)..81
 Inner Profile, S4LGA.....65
 Inoculant, Granular, 50 lb Bucket (Treats 100 Ton).....75
 Inoculant, Liquid 250 Ton Foil Pouch For Inject. Sprayer.....75
 Inoculant, Liquid 50 Ton Foil Pouch.....75
 Instruction Booklet (Not Serviced).....63

J

Jack Base, Hydraulic Lift.....81
 Jack, Manual, 15 in. Square Mount.....7

K

Key, 5/8 x 5/8 x 1.845.....55, 57
 Key, 5/8 x 5/8 x 2-3/4 in.....17
 Key, Shaft (Hydraulic Motor).....26, 31, 67

Key, Sq, 3/4 x 3/4 x 4 in. - (G6060 S/N 42.05167 & Before) & PB6000 Only.....17
 Key, Sq, 7/8 x 7/8 x 4 in. - G6070 & (G6060 S/N 42.05168 & After).....17
 Key, Square, 1/4 in. x 1-3/4 in.....21, 26
 Key, Square, 1/4 in. x 2 in.....21, 26
 Key, Square, 1/4 x 1/4 x 2 in.....71
 Key, Square, 3/8 in. x 3 in. Undersize.....7
 Key, Square, 3/8 x 3/8 x 2 in.....71
 Kit, Ball Collar, 1-3/8 in. #8.....63
 Kit, Bungee Cord (Consists Of Items 11a & 11b).....11
 Kit, Hydraulic Conveyor Lift (Consists Of Items 1 & 2 thru 20).....39
 Kit, PTO Transport (Includes Items 1 thru 10).....59
 Kit, RT Ball Collar S5/S9, 1-3/4 in.....63
 Knob.....67
 Koster Moisture Tester - Not Shown.....75

L

Latch.....21, 26
 Lens, Amber (Command).....51
 Lens, Amber (Wesbar).....51
 Lens, Red (Command).....51
 Lens, Red (Wesbar).....51
 Light Stand Weldment.....51
 Light Tube Weldment, Left Side.....51
 Light Tube Weldment, Right Side.....51
 Light, Dual Lamp, Amber/Red, Left Side.....51
 Light, Dual Lamp, Amber/Red, Right Side...51
 Link, #120-2 Connector UST.....17
 Link, #50 Connector UST.....71
 Link, #CA550 Offset.....21, 26
 Link, CA550 Connector.....31
 Link, CA550 Offset.....31
 Link, Offset, #120-2.....17
 Liquid Inoculant Applicator, 15 Gallon Sprayer - Not Shown.....75
 Liquid Inoculant Applicator, 27 Gallon Sprayer - Not Shown.....75
 Liquid Inoculant Applicator, 55 Gallon Sprayer - Not Shown.....75
 Lock Assembly.....65
 Lock Collar Kit.....65
 Lock, PTO Cradle.....59, 61
 Lube/Shc 75W90 Synth.....57
 Lug Nut, 9/16-18.....13

M

Machine Bushing, 1-1/4 in.....29
 Master Seal Zip Tool.....75
 Master Seal, 14.5 ft Lengths 4/Box For 8 & 9 ft Bags.....75
 Master Seal, 17 ft Lengths 4/Box For 10 ft Bags.....75
 Master Seal, 20 ft Lengths 4/Box For 11 & 12 ft Bags.....75
 Master Seal, 250 Ft Roll.....75
 Master Seal, 9.5 ft Lengths 4/Box.....75
 Motor, Electric, w/Brackets & Harness.....79
 Motor, Hydraulic, 101-1019-009, 5.9 cu. in. (PB6000 Only).....31
 Motor, Hydraulic, 101-1751-009, 7.3 cu. in. (G6060 & G6070 Only).....31

Motor, Hydraulic, Charlyn 101-1272.....68
 Motor, Hydraulic, Conveyor.....26, 67
 Mount, (Weld On), Jack, Female Square Tubing.....7
 Mount, Bracket, Drive Motor.....25
 Mount, Hydraulic Motor.....21
 Mount, Hydraulic Motor (G6060 & PB6000 Only).....31
 Mount, Hydraulic Motor, 101 Series.....67

N

Nut, Hex Center Lock, 7/16-14.....22
 Nut, Hex Flange Lock, 1/2-13 Nylock.....21
 Nut, Hex Flange Lock, 1/4-20 Nylock Yellow Zinc.....21, 26
 Nut, Hex Flange Lock, 3/8-16 Nylock Yellow Zinc.....21, 26
 Nut, Hex Flange Lock, 3/8-16 Yellow Zinc - G6070 & G6070P.....41
 Nut, Hex Lock Flange, 3/8-16 Yellow Zinc Nylock.....83
 Nut, Hex Lock, 1/2-13.....32
 Nut, Hex Lock, 1/2-13 Nylock.....7, 9, 29, 51
 Nut, Hex Lock, 1/2-13 Nylock Stainless Steel.....26
 Nut, Hex Lock, 1/4-20.....32
 Nut, Hex Lock, 1/4-20 Nylock.....51, 81
 Nut, Hex Lock, 1/4-20 Nylock Stainless Steel.....22, 41, 71
 Nut, Hex Lock, 1/4-20 Nylock Stainless Steel - G6060 & PB6000.....19
 Nut, Hex Lock, 1/4-20 Nylock Stainless Steel - G6070 & G6070P.....19
 Nut, Hex Lock, 1/4-20 Whizlock.....68
 Nut, Hex Lock, 3/4-10 Nylock.....7, 9, 17
 Nut, Hex Lock, 3/8-16.....32
 Nut, Hex Lock, 3/8-16 Nylock.....11, 45, 51, 81
 Nut, Hex Lock, 3/8-16 Nylock Stainless Steel.....11
 Nut, Hex Lock, 5/16-18 Nylock.....29
 Nut, Hex Lock, 5/8-11 Nylock.....7, 9, 11, 21, 26, 35, 41, 45, 47
 Nut, Hex Lock, M14-2 CLS 10 Nylock.....9
 Nut, Hex Lock, Nylon Flange, 5/16-18 Blk Zinc.....59, 61
 Nut, Hex Nylon Flange Lock, 1/2-13.....67, 71
 Nut, Hex Nylon Flange Lock, 1/2-13 - G6070 & G6070P.....41
 Nut, Hex Nylon Flange Lock, 3/8-16 Yellow Zinc.....35, 67, 71
 Nut, Hex Top Lock, 5/8-11.....77
 Nut, Hex Whiz Lock, 1/4-20.....39
 Nut, Hex Whiz Lock, 3/8-16.....37, 59
 Nut, Hex, 1/2-13.....17, 22, 25, 31
 Nut, Hex, 3/4-10.....77
 Nut, Jam 1/2-13.....22
 Nut, Slotted Lock, NO6 Zinc Plated.....13

O

O-Ring, Rubber, Gandy.....79
 O-Ring, SAE -8 (.64 I.D.).....81
 O.Cone, Shield Cone, #8-9 Outer Std.....63
 Oil Seal, 2.25 I.D.....13
 Orifice, -6 Two Way, .049 in. Dia.....39
 Orifice, -8 ORB One Way, .059 in.....81



Part Description Index (continued)

Outer Profile, S5.....65

P

Pan, Bag G6060 & PB6000.....11
Pan, Bag G6070 & G6070P Only.....11
Panel, Hopper Extension, Front 6 Ft w/Decals - G6060 & PB6000 Only.....19
Panel, Hopper Extension, Front 7 Ft - G6070 & G6070P Only.....19
Panel, Hopper Extension, Right Side.....19
Panel, Sloped, Hopper 6 Ft - G6060 & PB6000 Only.....19
Panel, Sloped, Hopper 7 Ft - G6070 & G6070P Only.....19
Pin, Cam Lever.....35
Pin, Clevis, 5/8 in. x 1-1/2 in. Zinc.....37
Pin, Conveyor Door Latch.....29
Pin, Cotter, 5/32 in. x 1-1/4 in. Stainless Steel.....37
Pin, Cotter, 5/32 x 1-1/4 in. Stainless Steel.....43
Pin, Hair.....7
Pin, Hair, 5/32 x 2-15/16 in. Zinc.....49
Pin, Hair, 5/32 x 2-15/16 in. Zinc Plated.....13
Pin, Hitch.....7
Pin, Hitch, .625 Dia x 4 in.....13
Pin, Hitch, .625 x 4 in.....49
Pin, Lock, 3/8 x 3 in.....51
Pin, Roll, 3/8 in. x 2 in.....22, 25
Pin, Roll, 3/8 in. x 2 in. (G6060 & PB6000 Only).....31
Pin, Spring, 5/16 in. x 3 in.....29
Pin, Spring, 5/32 in. x 1-1/4 in.....35
Pinion Gear.....55
Planetary, RR3500, 23.2:1 ML 120RA.....9
Plate, Bearing Mount.....22, 25
Plate, Bearing Mount Welded.....22
Plate, Conveyor End Deflector w/Decals.....31
Plate, Cover R70C 1/8 NPT.....57
Plate, Face, 86 in.....19
Plate, Valve & Brake Pump Mount.....81
Plug, 08 ORB.....68
Plug, 1/2-14 NPT SCHD w/3M.....57
Plug, 1/2-14 NPT, Socket Head.....55
Plug, 1/8-27 NPT SCHD w/3M.....57
Plug, 1/8-27 NPT Vent 5 PSI.....57
Plug, Light Cord (Included In Item 27).....51
Plug, Oil Drain.....67
Plug, Vent, 1/8-27 NPT, 5 psi.....55
PO Check Valve, Double -8 ORB.....81
Polyethylene, High Density (Used On G6060 & PB6000 Only).....32
PTO Cradle, Bolt On w/ Trim.....59
PTO Shaft - Complete.....65
PTO Shaft, Complete.....63
Pulley (G6060 & PB6000 Only).....31
Pulley, 2-1/2 in. OD x 1/4 in. Cable x 5/8 in. ID.....37
Pulley, Bag Boom, 3 in. UHMW.....45
Pulley, Swivel (G6060 & PB6000 Only).....31
Pump Kit w/Relief Valves & Gasket (Includes Items 4c & 4d).....67
Pump, Hand, 17 CI, 2000 psi.....41

R

Relief cartridge.....67
Relief Valves (1 set).....67
Repair Tape, 2 in. x 36 Yard Roll - Not Shown.....75
Repair Tape, 3 in. x 36 Yard Roll - Not Shown.....75
Repair Tape, 4 in. x 36 Yard Roll - Not Shown.....75
Reservoir, Tubular - G6060 Only (Optional).....67
Reservoir, Tubular - G6070 Only.....67
Restraint Chain.....65
Retainer, Bearing.....79
Retaining Ring, Ext 1.938 Shft.....57
Retaining Ring, External, 1.938.....55
Retaining Ring, Int 4.625 Bore.....57
Rod, Cable Rewind - G6060.....43
Rod, Cable Rewind, 1 x 29 in. Zinc - G6070 & G6070P Only.....43
Rod, Chain Tensioner.....17
Rope, Backstop, 3/8 x 300 Ft (8-9 Ft Backstop).....47
Rope, Backstop, 3/8 x 400 Ft (10 Ft Backstop).....47
Rotor + Four Teeth & Caps - (Weld Req'd).....7
Rotor + Four Teeth & Caps - G6070 Only (Weld Req'd).....9
Rotor, Gandy, Jumbo 10 in. Rubber.....79
Rubber Latch, 3 in. (G6060 & PB6000 Only).....31
Rubber Latch, 5 in. (G6060 & PB6000 Only).....31

S

Safety Sign, Caution 540 RPM (G6060 & G6070).....53
Safety Sign, Danger, Conveyor Entanglement.....53
Safety Sign, Danger, Rotating Drive Line.....53
Safety Sign, Danger, Rotor Entanglement.....53
Safety Sign, Warning, Cable Entanglement.....53
Safety Sign, Warning, Before Operating.....53
Safety Sign, Warning, Foot Crushing.....53
Safety Sign, Warning, High Pressure Oil.....53
Safety Sign, Warning, No Step.....53
Safety Sign, Warning, Rotating Parts.....53
Safety Sign, Warning, Shield Is Off.....53
Safety Tube (Not Serviced Separately).....63
Screw.....65
Screw, Hex Hd, 1/4-20 x 3/4 in. Stainless Steel, Thread Cutting.....51
Screw, Hex Hd, 1/4-20 x 3/4 in. Thread Cutting Stainless Steel.....68
Screw, Set, 3/8-16 x 1/2 in.....67, 71
Screw, Set, 5/16-18 x 5/16 in.....71
Screw: Fshcs, 1/4-20 x 3/4 Yellow Zinc.....85
Seal Kit.....26, 67
Seal Kit, H-Series (For Item 17).....31
Seal Kit, Hydraulic Cylinder.....39
Seal Kit, Hydraulic Motor.....67, 68
Seal, 1.936-4.25-.375 TC.....57
Seal, 1.937 - 2.623 x .312 Viton.....55
Seal, 2.75-4.629-406 TC.....57

Seal, 2.750 - 3.500 x .375 Viton.....55
Setscrew, 3/4-10 x 3/4 in.....17
Setscrew, 5/8-11 x 5/8 in.....17
Setscrew, Hex Socket, 3/8-16 x 1/2 in. (G6060 & PB6000 Only).....31
Shaft, 1-1/4 in. x 21 in. Drive.....22
Shaft, 1-1/4 in. x 34-1/2 in.....22
Shaft, 1-1/4 in. x 34-3/4 in.....29
Shaft, 1-1/4 in. x 36-1/2 in. Drive.....22
Shaft, 1.25 in., LH.....25
Shaft, Conveyor Drive (G6060 & PB6000 Only).....31
Shaft, Conveyor Idle (G6060 & PB6000 Only).....31
Shaft, Cross R700.....55
Shaft, Cross R700 Austemper.....57
Shaft, Gear Pinion R70C.....57
Shaft, RH Drive.....25
Shearbolt Clutch (Includes Item 8a).....65
Sheet: Polyethylene - Hd 1/8 x 29-7/8 x 96.....85
Shield.....22
Shield Support, #8-9-10 Inner 8G602.....63
Shield Support, #8-9-10 Outer 8G502.....63
Shield, Gear Box PTO.....71
Shield, Input, Flip Up w/Decals.....71
Shield, Motor.....21, 25
Shield, Rear Pump Drive.....71
Skirt, Conveyor (G6060 & PB6000 Only).....31
Skirt, Conveyor, 20 in. x 60 in.....21, 25
Slat, Conveyor Chain (G6060 & PB6000 Only).....31
Sling, Backstop Cable, 7/16 x 35 in.....47
Spacer, Bag Boom, Bronz, 2-15/16 in.....45
Spacer, Pinion R70C.....57
Spindle, Single, 2-1/4 x 14-7/8 in. Std.....13
Spray Adhesive - Not Shown.....75
Spring Pin, 10 x 90mm.....65
Spring, Compression.....35
Spring, Extension.....17
Sprocket.....79
Sprocket, 120-2A11, 2-7/16 in. Bore, 5/8 in. Keyway.....17
Sprocket, 120-2B42, 2-15/16 in. Bore, 3/4 in. Key - (G6060 S/N 42.05167 & Before) & PB6000 Only.....17
Sprocket, 120-2B42, 3-7/16 in. Bore, 7/8 in. Key - (G6060 S/N 42.05168 & After).....17
Sprocket, 120-2B48, 3-7/16 in. Bore, 7/8 in. Key - G6070 Only.....17
Sprocket, 40B16, 1 in. Bore.....22, 25
Sprocket, 40B16, 1.25 in. Bore.....22
Sprocket, 50B14F x 1 in. Bore.....71
Sprocket, 50B20, 1.25 in. Bore.....22, 25
Sprocket, 50B48F x 1-3/4 in. Bore.....71
Sprocket, CA550, 6 Tooth.....25
Sprocket, DBL.....25
Sprocket, Drive (G6060 & PB6000 Only).....31
Sprocket, Idle (G6060 & PB6000 Only).....32
Sprocket, Idler, 50B17, .643 in. Bore.....21, 25
Sprocket, N58, 6 Tooth, 1-1/4 in. Bore.....22
Sprocket, N58, 6 Tooth, Idle 1-1/4 in. Bore.....22
Stabilizer, Conveyor Angle Adjustment.....35
Stand, Jack.....49



Part Description Index (continued)

Strip, Conveyor Skirting Center (G6060 & PB6000 Only).....31
 Strip, Conveyor Skirting, Center.....21
 Strip, Conveyor skirting, Center.....25
 Strip, Conveyor Skirting, Side.....21, 25
 Stripper Bar - 35 in. Weld In (Included In Item 1).....9
 Stripper Bar - 45 in. Weld In (Included In Item 1).....9
 Stripper Plate - 33 in. Weld In (Gearbox End).....7
 Stripper Plate - 35 in. Weld In G6060 (Gearbox End).....7
 Stripper Plate - 45 in. Weld In (Non Gearbox End).....7
 Stub Shaft Drive, Weld In.....7
 Stub Shaft Idle, 2-15/16 in. Weld In.....7, 9
 Stud, Wheel, 9/16-18 x 2-1/8 in.....13
 Support, Backstop Transport - Long - G6060, G6070 & G6070P With Tunnel Extensions Only.....47
 Support, Backstop Transport - Long - G6060, G6070 & G6070P Without Tunnel Extensions Only.....47
 Support, PTO w/Trim.....61

T

Tank, Hydraulic w/Pump & Decals (Includes Items 4a thru 4g).....67
 Tee, 06 ORB Run x MJIC.....39
 Tee, 1-4 MPT x 06 MJIC Run - G6070 & G6070P.....41
 Tee, 1/4 NPT Male Run.....41
 Tee, Branch, 10 JIC Swivel.....67
 Tee, Swivel Run, 10 JIC.....67
 Tensioner, Rotor Chain.....17
 Tire, 235/85R16, G6060.....15
 Tire, 265/75R16, G6070 & G6070P.....15
 Tire, 9.5L x 15 Farm Implement, PB6000.....15
 Tool, Bag Vent.....75
 Tooth Assembly w/Cap.....7, 9
 Trim, Black Vinyl, .250 - .500 (Order per Foot).....59, 61
 Tube, CARDAN #8 Inner.....63
 Tube, Hydraulic, 1/2 in. Lift, PO Check.....81
 Tunnel Extension Base, 18 in. - G6060, G6070 & G6070P Only.....11
 Tunnel Extension Base, 29 in. - G6060, G6070 & G6070P Only.....11
 Tunnel Extension Base, 29 in. - LH - G6060, G6070 & G6070P Only.....11
 Tunnel Extension Base, 29 in. - RH - G6060, G6070 & G6070P Only.....11
 Tunnel Extension, 10' x 29 in. - G6070 & G6070P Only.....11
 Tunnel Extension, 8' x 29 in. - G6060 Only.....11
 Tunnel Extension, 9' x 29 in. - G6060 Only.....11
 Tunnel Extension, 9' x 29 in. - G6070 & G6070P Only.....11
 Tunnel Hood, 10' - G6070 & G6070P Only.....11
 Tunnel Hood, 8' w/Decals - G6060 Only.....11
 Tunnel Hood, 9' - G6070 & G6070P Only.....11
 Tunnel Hood, 9' w/Decals- G6060 Only.....11

U

UHMW Strip, PTO Guard.....71
 Union, 04 ORB - 06 MJIC - G6070 & G6070P.....41

V

Valve, Bag Vent.....75
 Valve, Check.....39
 Valve, Conveyor Lift w/Handle.....39, 81
 Valve, Flow Control w/Handle - Conveyor & Cable Rewind.....67
 Valve, Needle.....41

W

Washer, Flat 5/8 in.....11
 Washer, Flat, .388 x 1.25 x .12 in.....67
 Washer, Flat, 1-1/4 in. x 1-7/8 in.....22
 Washer, Flat, 1/2 in.....21, 26, 32, 67
 Washer, Flat, 1/4 in.....31
 Washer, Flat, 1/4 in. SAE Yellow Zinc.....21, 25, 81
 Washer, Flat, 1/4 in. Stainless Steel.....71
 Washer, Flat, 1/4 in. Stainless Steel - G6060 & PB6000 Only.....19
 Washer, Flat, 1/4 in. Stainless Steel - G6070 & G6070P Only.....19
 Washer, Flat, 3/4 in.....17, 77
 Washer, Flat, 3/8 in.....32, 45
 Washer, Flat, 3/8 in. SAE.....21, 26, 35, 59, 67, 83
 Washer, Flat, 3/8 in. Wide Stainless Steel...11
 Washer, Flat, 5/16 in.....29, 41, 59, 61
 Washer, Flat, 5/8 in.....21, 25
 Washer, Flat, 5/8 in. SAE.....35, 41
 Washer, Flat, 7/16 in.....17, 21, 25
 Washer, Gandy.....79
 Washer, Lock, 1/2 in.....25
 Washer, Lock, 1/4 in.....67
 Washer, Lock, 3/4 in. Yellow Zinc.....77
 Washer, Lock, 5/8 in. Yellow Zinc.....7
 Washer, Lock, External Tooth.....13
 Washer, Sponge, Gandy.....79
 Weldment, Conveyor.....25
 Weldment, Conveyor End Frame.....29
 Weldment, Conveyor, Split w/ H Frame (Includes Items 52 thru 64).....22
 Weldment, PTO Transport, Bolt On.....59
 Weldment, Rotor Access, Drive - G6070.....7
 Weldment, Rotor Access, Idle.....7, 9
 Weldment, Rotor Access, Planetary.....9
 Wheel, 15 x 6 PB6000.....15
 Wheel, 16 x 6 G6060.....15
 Wheel, 16 x 8 G6070 & G6070P.....15
 Whip, Grease, 3/16 in. x 21 in.....21, 25
 Whip, Grease, 3/16 x 21 in.....17
 Whip, Grease, 3/16 x 28 in.....17
 Winch, Brake.....37, 45
 Winch, Manual (G6060 & PB6000 Only).....31

Y

Yoke Assembly (Includes Item 1a).....65
 Yoke, #8 Inner Tube.....63
 Yoke, #8 Outer Tube.....63
 Yoke, #8/S9, 1-3/8 in. Z6 Ball.....63

Yoke, Ball Shear #8, 1-3/4 in. 27QD.....63

Z

Zerk, Grease, 1/4-28, 65°.....43
 Zerk, Grease, 1/8 NPT Female.....17
 Zerk, Grease, 1/8, 45°.....43



© 2011 by Miller-St. Nazianz, Inc.
Ag-Bag, a Miller-St. Nazianz Company