

INDEX



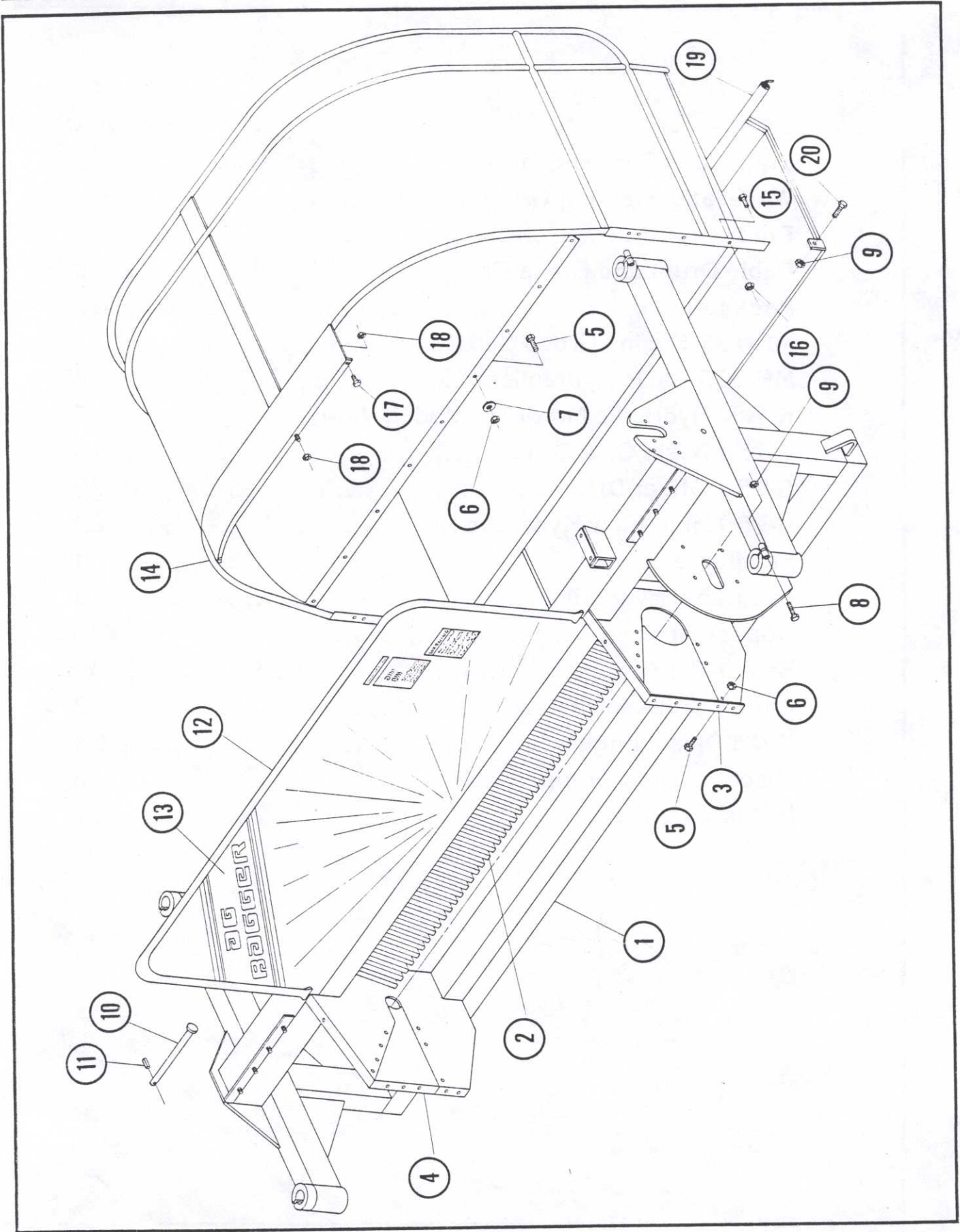
MH-135, G-750

<i>GROUP</i>	<i>PAGE</i>
Frame and Tunnel Group	2
Wheel and Steering Group	4
Rotor Group	6
Cable Drum and Brake Group	8
Backstop	10
MH-135 Engine Group	12
MH-135 Basic Hydraulics	14
K.Y.B. Hydraulic Motor (Exploded View)	16
G-750 Basic Gear Drive	18
G-750 Offset Drive	20
G-750 High-Flow Hydraulic Kit	22
Feedtable	24
Feedtable Hydraulics	26
Hopper Group	28
Beater Bar Group	30
Clutch Breakdown	32
MWM Diesel Engine	34
Miscellaneous Group	36
Notes	37



FRAME AND TUNNEL GROUP

MH-135, G-750



FRAME AND TUNNEL GROUP



MH-135, G-750

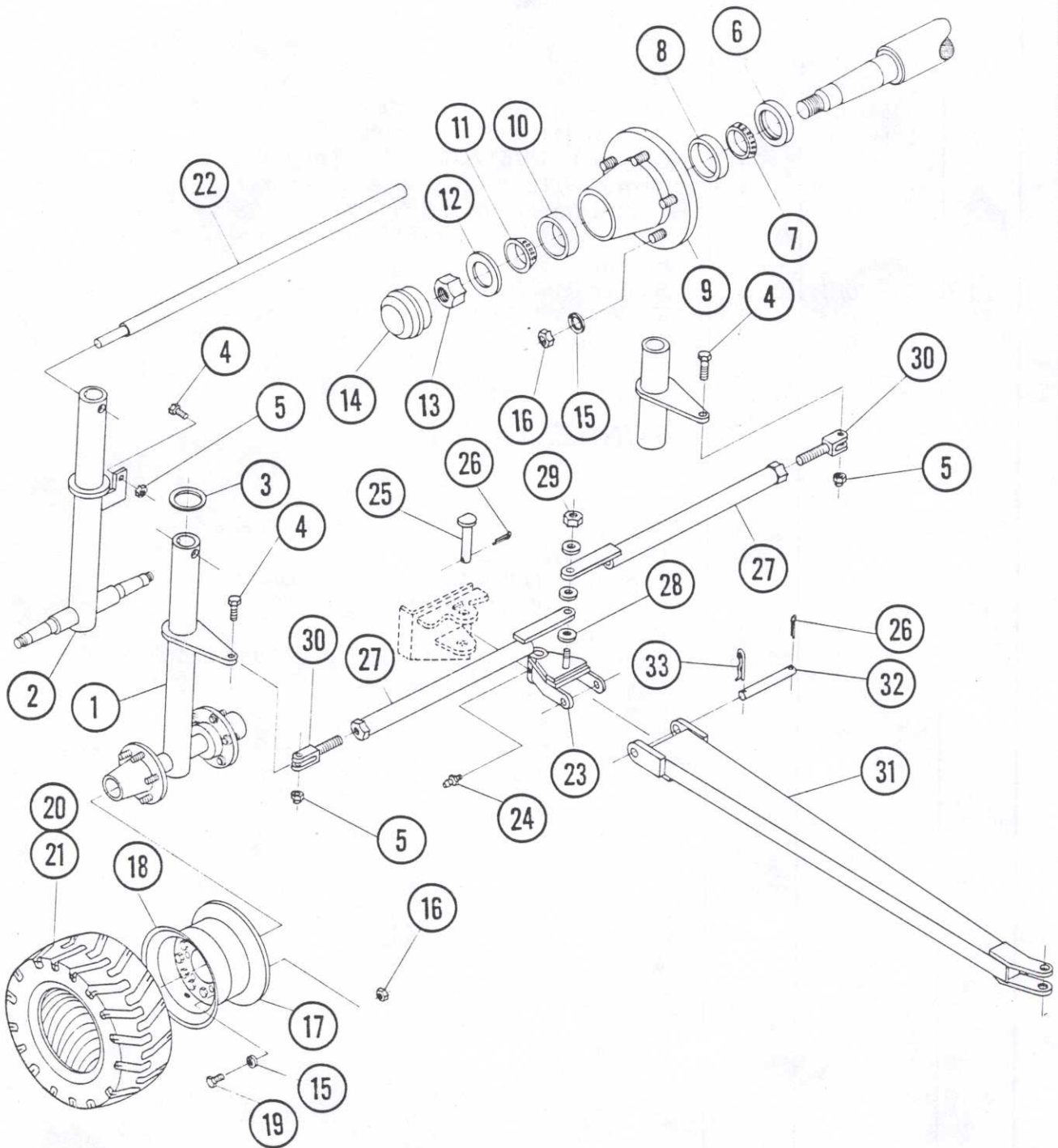
7=JR-700 1=MH-135 5=G-750

REF. NO.	PART NO.	QTY	DESCRIPTION
FRAME GROUP			
1	015-02A	1	Frame Weldment
2	015-02B	52	Stripper Bar
3	015-02C	1	Removable Panel - Left Side
4	015-02D	1	Removable Panel - Right Side
5		24	Capscrew - 7/16" N.C. x 1 1/4" Long - Grade 5
6		24	Hexnut - 7/16" N.C. Nylok
7		9	Flat Washer - 7/16" N.C. Nylok
8		4	Capscrew - 5/8" N.C. x 3 1/2" Long - Grade 5
9		6	Hexnut - 5/8" N.C.
10	015-10K1	1	Bungee Cord Holder
11		1	Roll Pin - 5/16" x 1 1/2" Long
12	015-10C	1	Face Plate
TUNNEL GROUP			
13	015-10A	1	Tunnel
14		8	Capscrew - 1/2" N.C. x 1 3/4" Long - Grade 5
15		8	Hexnut - 1/2" N.C. Nylok
16		2	Capscrew - 1/4" N.C. x 3/4" Long - Grade 5
17		3	Hexnut - 1/4" N.C. Nylok
18	015-10F	1	Bag Pan
19		2	Capscrew - 5/8" N.C. Nylok x 1 3/4" Long - Grade 5



WHEEL AND STEERING GROUP

MH-135, G-750



WHEEL AND STEERING GROUP



MH-135, G-750

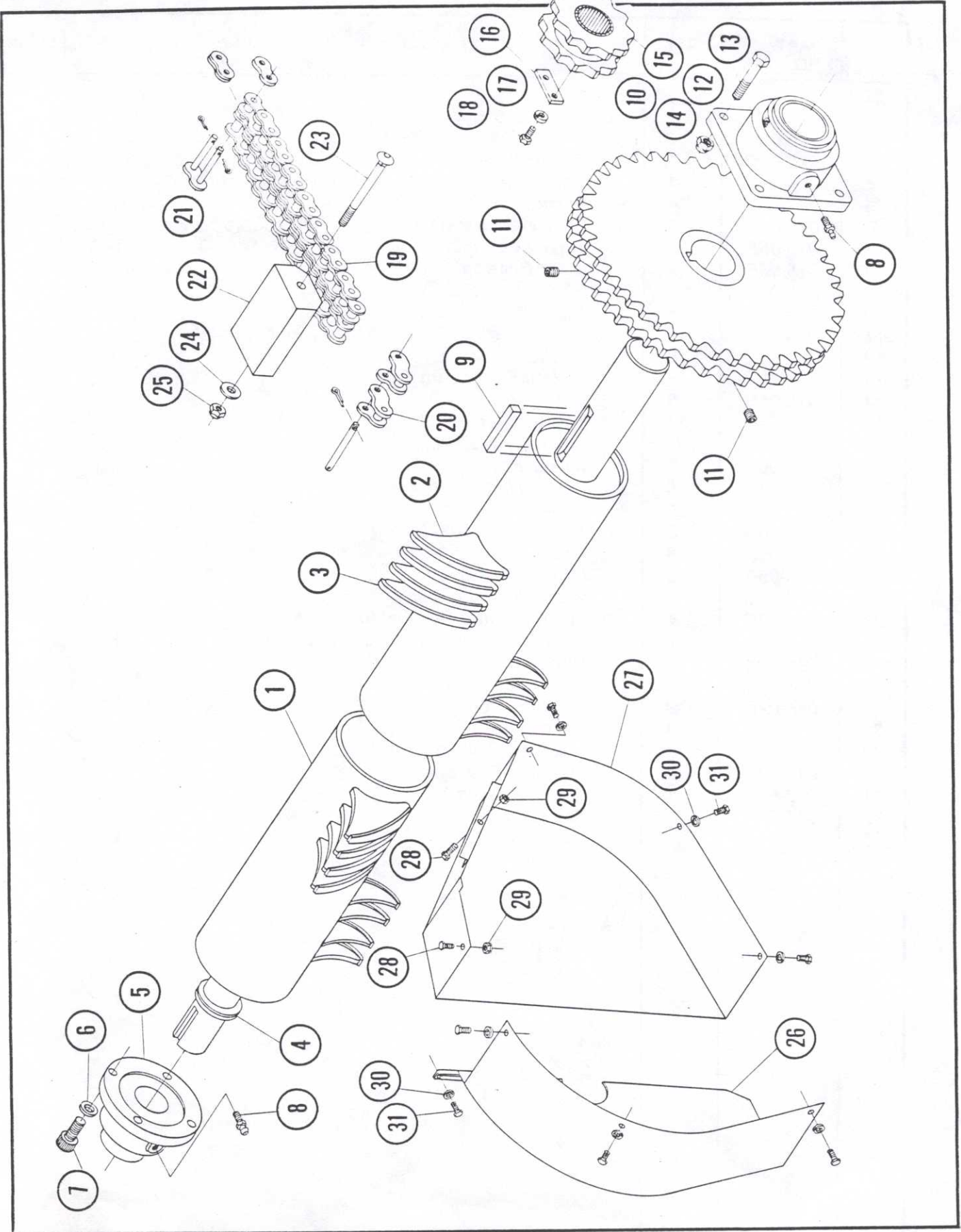
7=JR-700 1=MH-135 5=G-750

REF. NO.	PART NO.	QTY	DESCRIPTION
1	015-6US	2	Wheel Spindle - Steering
2	015-6UN	2	Wheel Spindle - Non-steering
3	015-6UP	4	Plastic Washer
4		4	Capscrew - 1/2" N.C. x 1 3/4" Long - Grade 5
5		4	Hexnut - 1/2" N.C. Nylok
6	015-06G	8	Grease Seal - 400750 C/R Seal 1500364
7	015-06F	8	Inner Bearing Cone - #24780 and #24720
8	015-06FC	8	Inner Bearing Cup
9	015-06D	8	Hub - W 623-850
10	015-06EC	8	Outer Bearing Cup
11	015-06E	8	Outer Bearing Cone - #15123 and #15245
12		8	Washer
13		8	1" UNFESNA Jam Nut
14	015-06H	8	Hub Cap
15		120	Lockwasher - 1/2"
16		120	Hexnut - 1/2" N.F.
17	015-06J	8	Wheel Half
18	015-06JS	8	Wheel Half (With Stem Hole)
19		80	Capscrew - 1/2" N.F. x 1" Long - Grade 5
20	015-06N	8	Tire - 7.50-10-12 Ply
21	015-060	8	Tire Tube - 7:50-10
	015-06P	8	Liner (Not Shown)
22	015-28B	1	Wheel Turning Bar
23	015-02G	1	Steering Hitch Assembly 4060092
24		1	Grease Nipple - 3/16" Straight Drive
25	015-02K	1	Hitch Pin
26		2	Cotter Pin
27	015-02M	2	Steering Rod
28		3	Flatwasher - 3/4"
29		1	Hexnut - 3/4" N.C. Nylok
30	015-02N	2	Steering Rod End
31	015-02H	1	Tongue Assembly
32	015-02I	1	Tongue Pin
33		1	Hair Pin



ROTOR GROUP

MH-135, G-750



ROTOR GROUP



MH-135, G-750

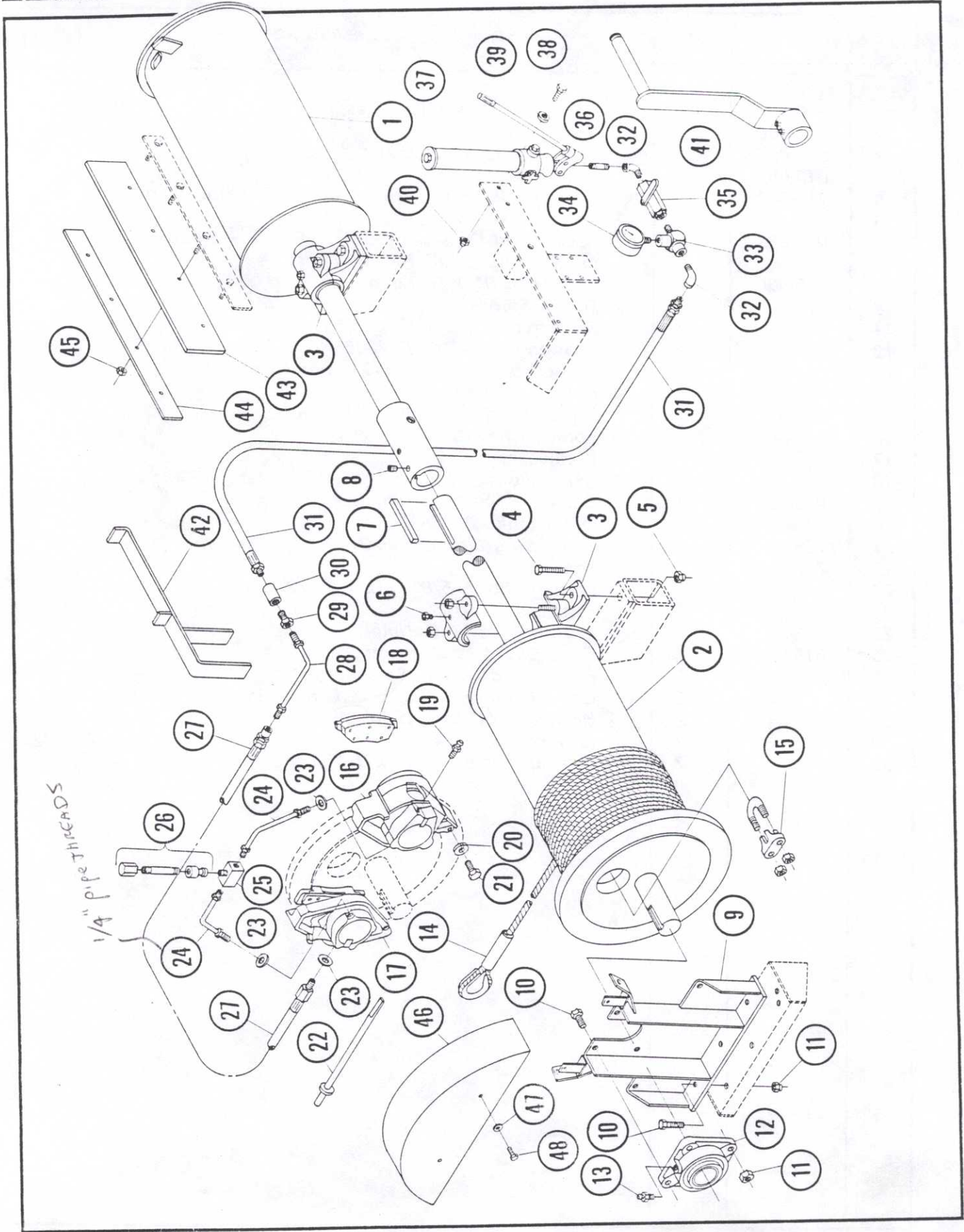
7=JR-700 1=MH-135 5=G-750

REF. NO.	PART NO.	QTY	DESCRIPTION
1	015-08A	1	Rotor Weldment with Tines
2	015-08B	52	Rotor Tine
3	015-08B1	1	Tine Cap Set (52 Caps)
4	015-08R	1	Drip Seal
5	715-080	1	Bearing - 2 15/16" FB22447H - 4 Bolt Unisphere
6		4	Lockwasher - 3/4"
7	015-08P	4	Sockethead Capscrew - 3/4" N.C. x 2 1/2" Long - Grade 5
8		2	Lube Fitting - 1/8" NPT Straight
9	015-08M	1	Key - 1" x 1" x 5" Long
10	015-08H	1	Driven Sprocket - #140-2 - 37 Tooth
11		2	Set Screw - 1/2" N.C. x 1/2" Long
12	015-085	1	Bearing - 3 15/16" FB22463H - 4 Bolt Unisphere
13		4	Capscrew - 7/8" N.C. x 3" Long - Grade 5
14		4	Hexnut - 7/8" N.C. Nylok
15	015-08I	1	Drive Sprocket - #140-2 - 11 Tooth
16	015-08J	1	Sprocket Keeper
17		2	Lockwasher - 1/2"
18		2	Capscrew - 1/2" S.A.E. N.F. x 3/4" Long - Grade 5
19	015-08C	1	Chain - #140-2 x 53 Pitches
20	715-08C1	1	Offset Link - #140-2
21	715-08C2	1	Connecting Link - #140-2
22	715-08D	1	Tensioner
23		1	Carriage Bolt - 5/8" N.C. x 7 1/2" Long
24		1	Flatwasher - 9/16"
25		1	Hexnut - 5/8" N.C. Nylok
26	015-08X	1	Front Guard Double Sprocket
27	015-08Y	1	Rear Guard Double Sprocket
28		2	Capscrew - 1/4" N.C. x 1" Long - Grade 5
29		2	Hexnut - 1/4" N.C. Nylok
30		7	Lockwasher - 1/4"
31		7	Self-Tap Screw - 1/4" x 3/4" Long



CABLE DRUM AND BRAKE GROUP

MH-135, G-750



CABLE DRUM AND BRAKE GROUP



MH-135, G-750

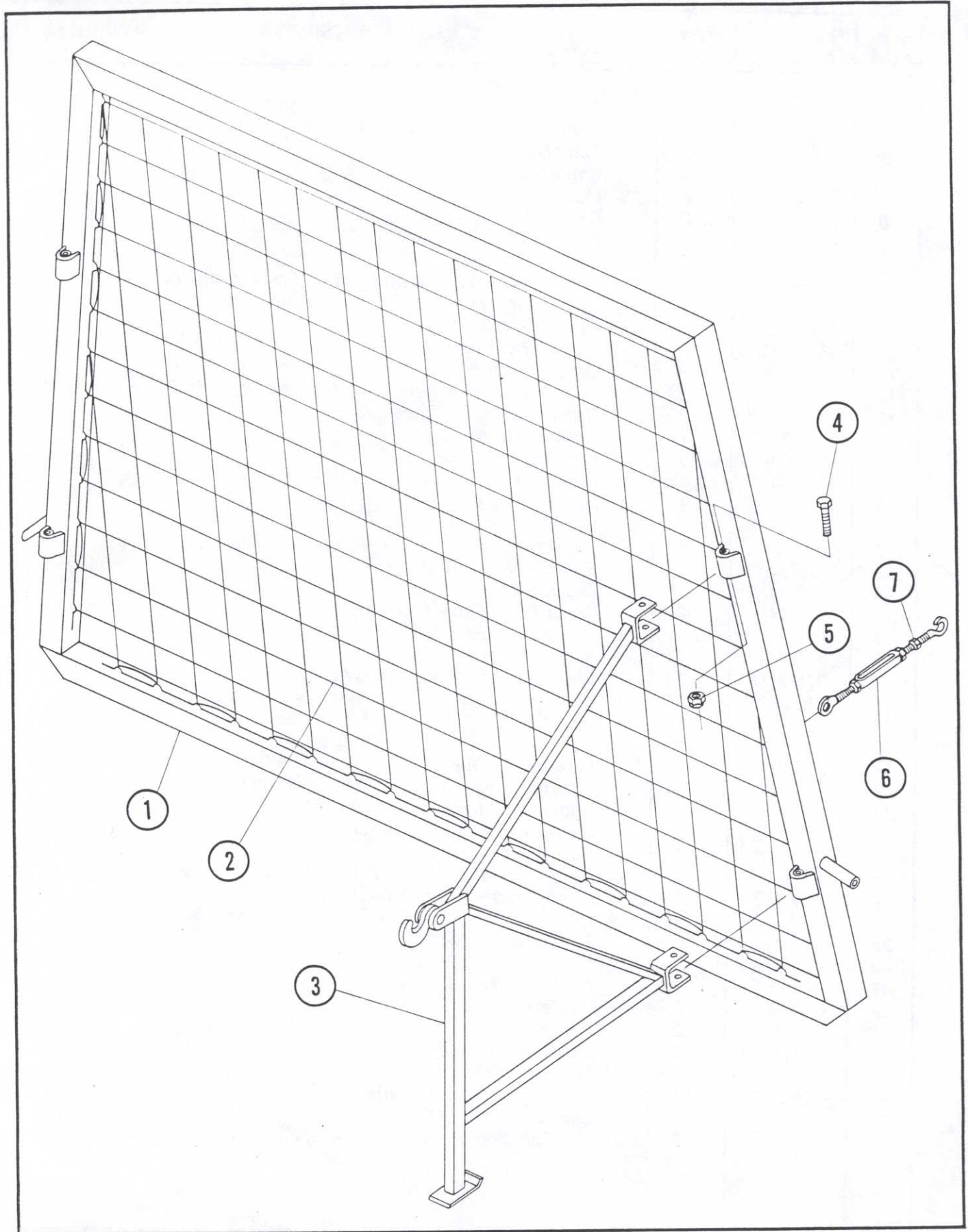
7=JR-700 1=MH-135 5=G-750

REF. NO.	PART NO.	QTY	DESCRIPTION
1	015-04A	1	Cable Drum and Shaft Assembly - Right
2	015-04B	1	Cable Drum and Shaft Assembly - Left
3	715-04C	2	Split Babbit Bearing - 2"
4		4	Capscrew - 5/8" N.C. x 2 1/2" Long - Grade 5
5		4	Hexnut - 5/8" N.C. Nylok
6		2	Grease Nipple - 1/4" NPT
7		1	Key - 1/2" x 1/2" x 4 1/2" Long
8		2	Set Screw - 3/8" N.C. x 1/2" Long
9	015-04N	1	Mount Assembly - Bearing and Brake Calipers
10		11	Capscrew - 1/2" N.C. x 1 3/4" Long - Grade 5
11		11	Hexnut - 1/2" N.C. Nylok
12	715-04D	2	Flange Bearing - 2"
13		2	Grease Fitting - 1/8" N.P.T.
14	015-04E	2	Galvanized Wire Rope - 1/2" - 120 Ft. with Eye and Thimble
15		2	Galvanized Wire Rope Clamp
16	715-04F	1	Brake Caliper - Left
17	015-04G	1	Brake Caliper - Right
18	715-04H	2 SETS	Replacement Brake Pad (1 R.H. and 1 L.H.)
19		1	Bleeder Valve
20		4	Lockwasher - 1/2"
21		4	Capscrew - 1/2" N.C. x 1" Long - Grade 5
22	015-04K1	1	Brake Release Rod
23	715-04I1	3	Copper Washer
24	015-04I	2	Cross Over Tube Assembly
25		1	Hydraulic Tee - 1/8" N.P.T.
26	015-04Z1	1	Accumulator Assembly
27	015-04I2	1	Brake Caliper Supply Hose Assembly
28	015-04I3	1	Supply Transition Tube Assembly
29		1	Adapter - 1/4" N.P.T. x 1/8" Tube Thread
30		1	Coupler - 1/4" N.P.T. - Sch. 80
31	015-04I4	1	Hose Assembly - 1/4" x 178" O.A.L. 1/4" MNPT x 1/4" SMNPT
32		2	90° Hydraulic Street Elbow - 1/4" N.P.T.
33		1	Hydraulic Street Tee - 1/4" N.P.T.
34	715-04Q	1	Pressure Gauge - 2,000 Lbs.
35	715-04P	1	Ball Valve - 1/4" N.P.T.
36		1	Nipple - 1/4" N.P.T. x 1 1/2" Long - Sch. 80
37	715-04O	1	Handpump - (Blackhawk)
38		2	Capscrew - 1/4" N.C. x 1" Long - Grade 5
39		2	Flatwasher - 1/4"
40		2	Hexnut - 1/4" N.C. Nylok
41	715-450	1	Cable Rewind Crank
42	015-04Z1	2	Cable Rewind Guide
43	015-04ZA	2	Cable Wiper
44	015-04ZB	2	Cable Wiper Keeper
45		8	Hexnut - 5/16" N.C. Nylok
46	015-04T	1	Brake Rotor Safety Shield
47		2	Lockwasher - 1/4"
48		2	Self-Tap Screw - 1/4" x 3/4" Long

COPY 1/1/2007



BACKSTOP GROUP
MH-135, G-750



BACKSTOP GROUP



MH-135, G-750

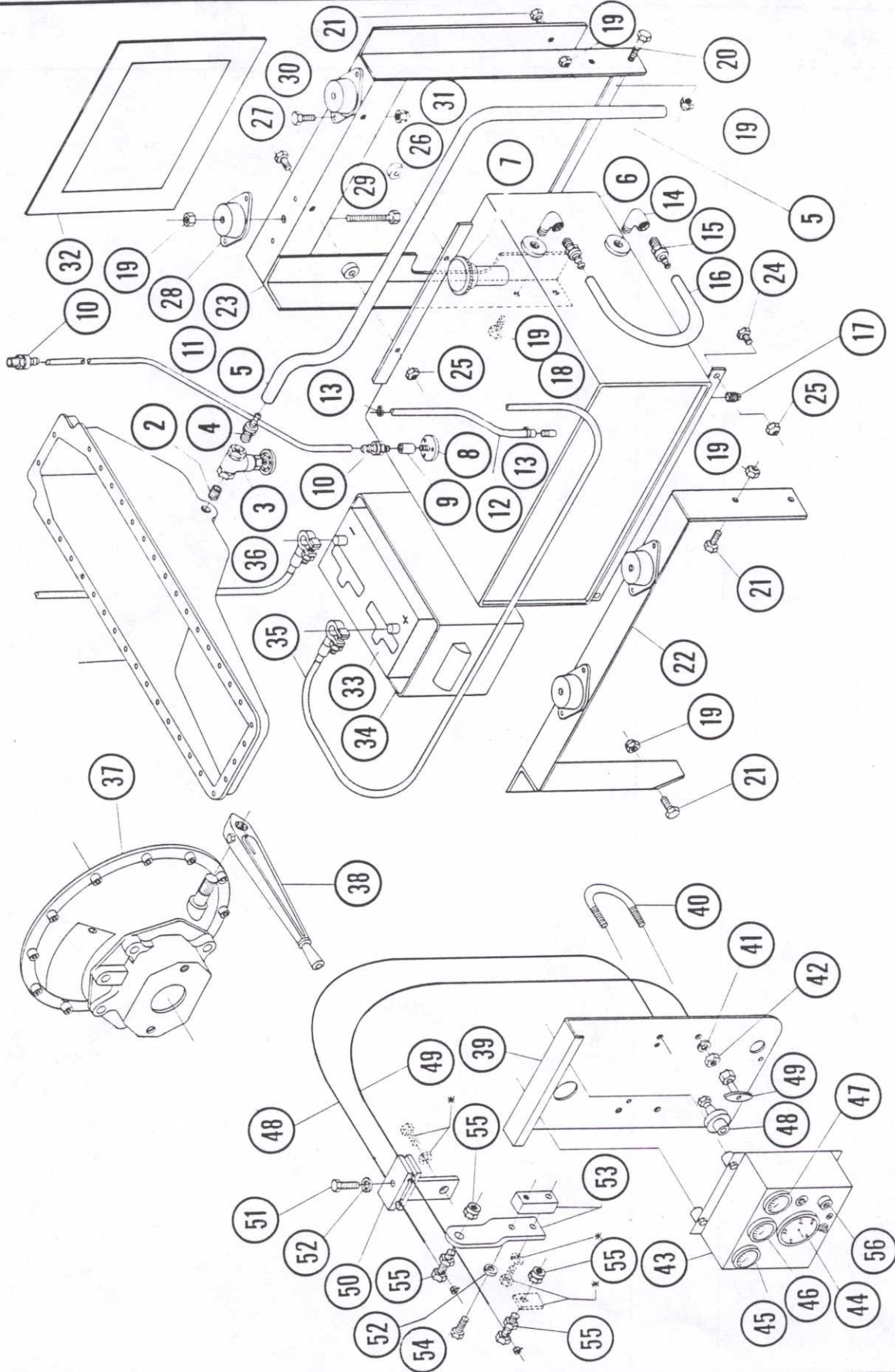
7=JR-700 1=MH-135 5=G-750

REF. NO.	PART NO.	QTY	DESCRIPTION
1	015-12A	1	Backstop Frame
2	015-12B	1	Rope - 3/8" - 280 Ft.
3	015-12C	2	Side Support
4		4	Capscrew - 1/2" N.C. x 4" Long - Grade 5
5		4	Hexnut - 1/2" N.C. Nylok
6	715-12F	2	Turnbuckle - 1/2"
7		2	Jamnut - 1/2" N.C.



MH-135 ENGINE GROUP

MH-135 ONLY



MH-135 ENGINE GROUP



MH-135 ONLY

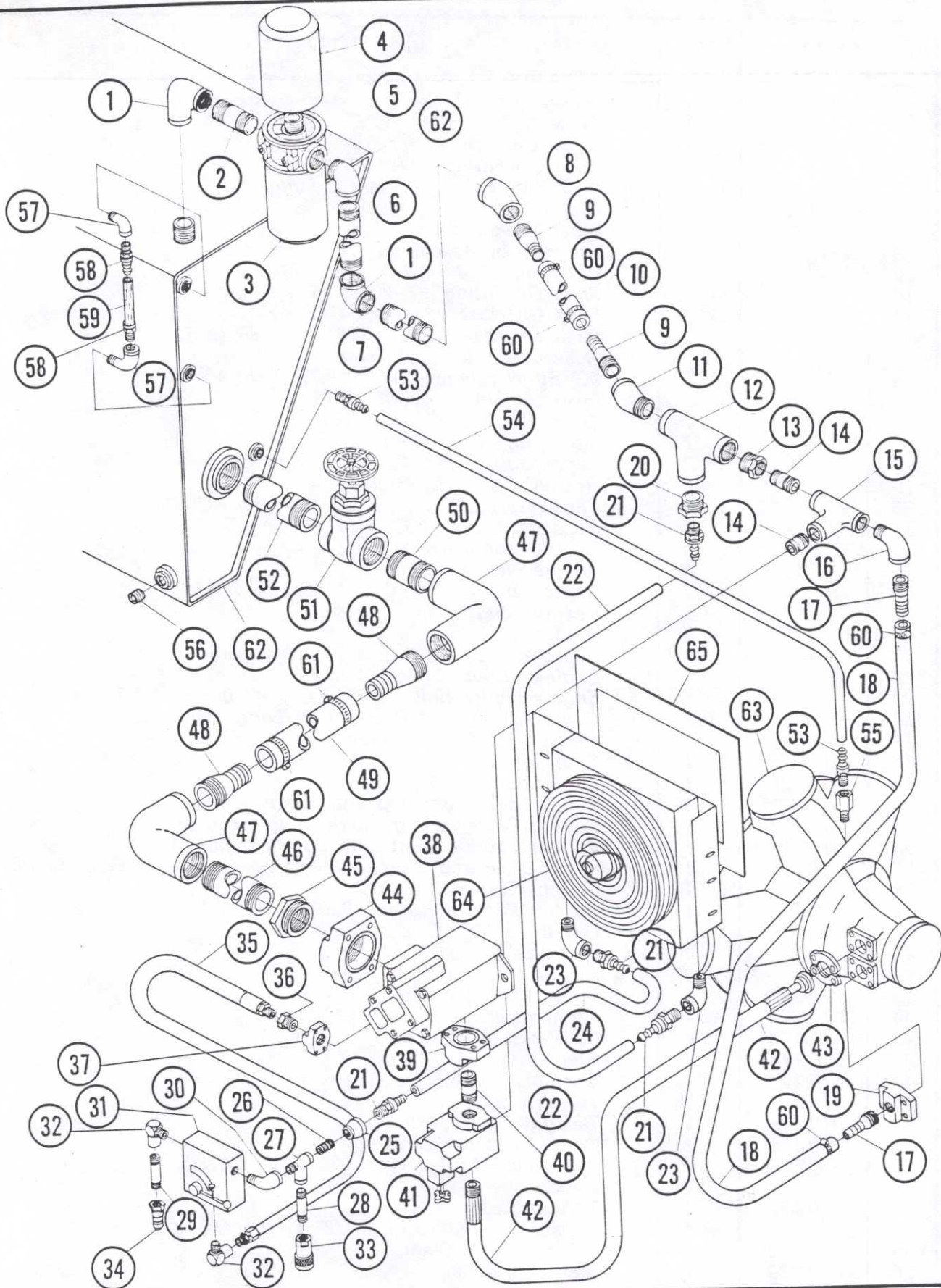
7=JR-700 1=MH-135 5=G-750

REF. NO.	PART NO.	QTY	DESCRIPTION
1		1	Diesel Engine - See Page 34 For Breakdown
2		1	Close Nipple - 1/2" N.P.T. - Sch. 40
3		1	Brass Gate Valve - 1/2" N.P.T.
4		1	Push On Fitting - 1/2" MNPT
5		1	Push On Hose - 1/2" x 36" Long
6	010-22H	1	Diesel Tank
7		1	Filler Neck
8		1	Outlet Tube Assembly
9		1	Coupling - 1/4" N.P.T. - Sch. 40
10		2	Push On Fitting - 1/4" MNPT
11		1	Push On Hose - 1/4" x 24" Long
12		1	Push On Hose - 3/8" x 48" Long (Return)
13		2	Hose Clamp for 3/8" Hose
14		2	90° Street Elbow - 3/8" N.P.T. - Sch. 40
15		2	Push On Fitting - 3/8" MNPT
16		1	Clear Tube - 3/8" x 12" Long
17		1	Pipe Plug - 3/8" N.P.T.
18		2	Capscrew - 1/2" N.C. x 2" Long - Grade 5
19		12	Hexnut - 1/2" N.C. Nylok
20		2	Capscrew - 1/2" N.C. x 5 1/4" Long - Grade 5
21		3	Capscrew - 1/2" N.C. x 1 3/4" Long - Grade 5
22	010-22G	1	Engine Mount - Rear
23	010-22F	1	Engine Mount - Front
24		2	Capscrew - 5/16" N.C. x 1" Long - Grade 5
25		4	Hexnut - 5/16" N.C. Nylok
26		2	Spacer
27		2	Capscrew - 5/16" N.C. x 2" Long - Grade 5
28	010-170	4	Engine Rubber Shock Mount
29	010-171	4	Engine Mount Bolt - 1/2" N.C. x 4" Long - All Thread
30		8	Capscrew - 3/8" N.C. x 1 1/4" Long - Grade 5
31		8	Hexnut - 3/8" N.C. Nylok
32	010-22ZK	1	Chaf Screen
33	010-22L	1	Battery Group 30
34	010-22M	1	Battery Box - with Lid and Straps
35	010-22ZA	1	Battery Cable - Long - with Ends (Positive)
36	010-22ZB	1	Battery Cable - Short with Ends (Negative)
37	010-22N	1	Pump Drive and Clutch Assembly - See Page 32 For Breakdown
38	010-220	1	Clutch Handle
39	010-172	1	Control Panel Mounting Plate
40		2	U-Bolt - 3/8" N.C. x 3" Diameter
41		4	Lockwasher - 3/8"
42		4	Hexnut - 3/8" N.C.
43	010-22B	1	Control Panel Assembly
44	010-22C	1	Tachometer
45	010-173	1	Oil Pressure Gauge
46	010-174	1	Amp Gauge
47	010-175	1	Coolant Temperature Gauge
48	010-22D	1	Throttle Cable
49	010-22E	1	T-Handle (Kill Switch)
50	010-176	1	Control Cable Mounts
51		1	Capscrew - 1/4" N.C. x 3/4" Long - Grade 5
52		2	Lockwasher - 1/4"
53	010-177	1	Throttle Lever
54		1	Capscrew - 1/4" N.C. x 1/2" Long - Grade 5
55	010-178	2	Control Cable Clamp
56	010-179	1	Switch and Key



MH-135 BASIC HYDRAULICS

MH-135 ONLY



MH-135 BASIC HYDRAULICS



MH-135 ONLY

7=JR-700 1=MH-135 5=G-750

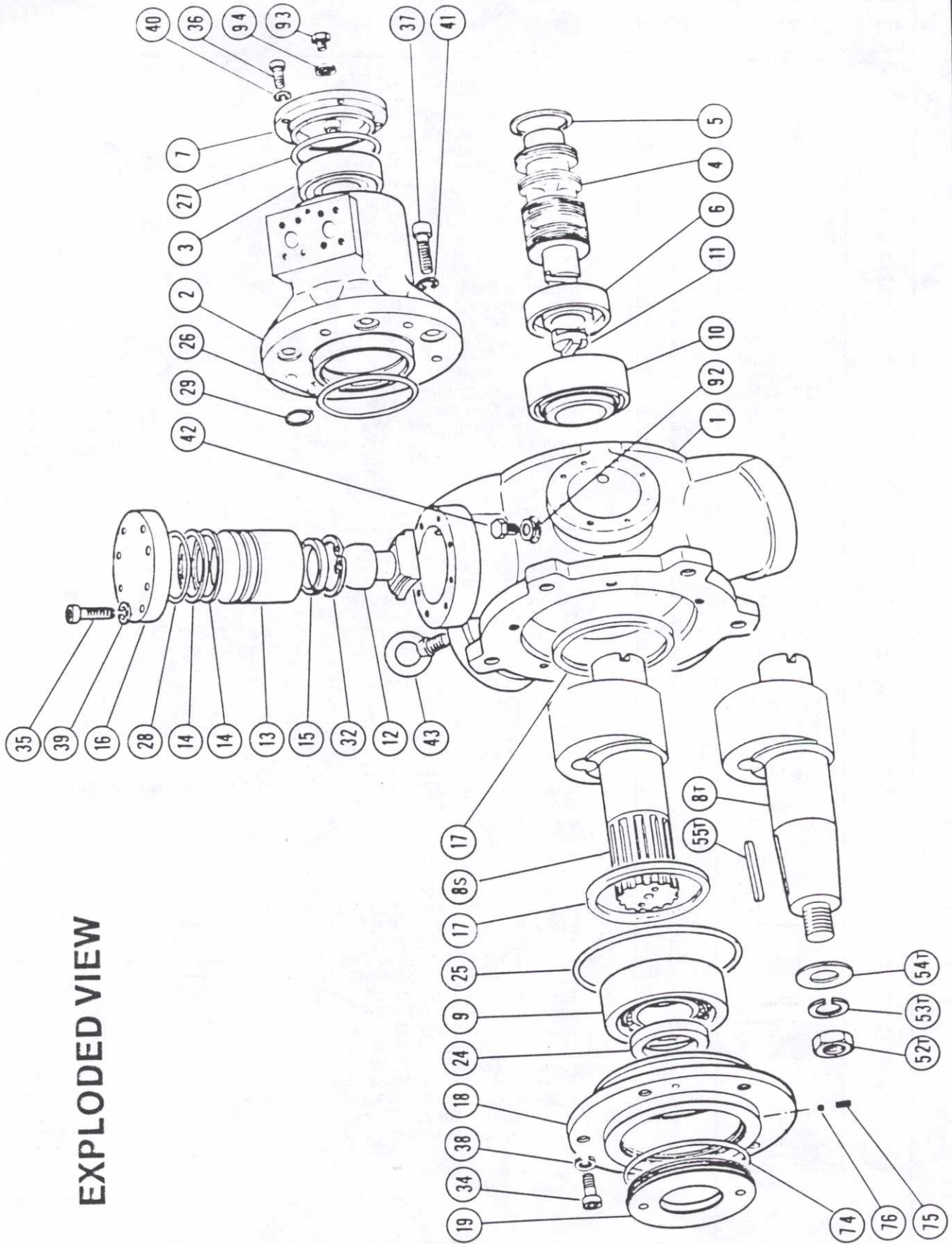
REF. NO.	PART NO.	QTY	DESCRIPTION
1		2	90° Street Elbow - 3/4" N.P.T. - Sch. 40
2		1	Nipple - 1 1/2" N.P.T. x 3 1/2" Long - Sch. 40
3	010-14D1	1	Oil Filter - Complete Assembly
4	010-14D	2	Oil Filter Replacement Cartridge
5		1	90° Street Elbow - 1 1/2" N.P.T. - Sch. 40
6		1	Pipe - 1 1/2" N.P.T. Both Ends x 16" Long - Sch. 40
7		1	Pipe - 1 1/2" N.P.T. Both Ends x 13" Long - Sch. 40
8		1	45° Elbow - 1 1/2" N.P.T. - Sch. 40
9		2	King Nipple - 1 1/2" N.P.T. - Sch. 40
10		1	Hose - 1 1/2" x 14" Long
11		1	45° Street Elbow - 1 1/2" N.P.T. - Sch. 40
12		1	Tee - 1 1/2" N.P.T. - Sch. 40
13		1	Reducing Bushing - 1 1/2" - 1 1/4" - Sch. 40
14		2	Close Nipple - 1 1/4" N.P.T. - Sch. 40
15		1	Tee - 1 1/4" N.P.T. - Sch. 40
16		1	90° Street Elbow - 1 1/4" N.P.T. - Sch. 40
17		2	King Nipple - 1 1/4" N.P.T. - Sch. 40
18		1	Hose - 1 1/4" N.P.T. x 64" Long
19	010-14ZR	1	4-Bolt Flange - 1 1/4" N.P.T. with Kit
20		1	Reducing Bushing - 1 1/2" - 3/4" - Sch. 40
21		4	Push On Fitting - 3/4" MNPT
22		1	Push On Hose - 3/4" x 71" Long
23		1	90° Elbow - 3/4" N.P.T. - Sch. 40
24		1	Push On Hose - 3/4" x 75" Long
25		1	Bell Reducer - 3/4" - 1/2" - Sch. 40
26		1	Close Nipple - 1/2" N.P.T. - Sch. 40
27		1	Street Tee - 1/2" N.P.T. - Sch. 40
28		1	Nipple - 1/2" N.P.T. x 3" Long - Sch. 40
29		1	Nipple - 1/2" N.P.T. x 3" Long - Sch. 80
30		1	90° Street Elbow - 1/2" N.P.T. - Sch. 40
31	015-14ZX	1	Flow Control - 2,500 Lbs. Relief
32		2	90° Hydraulic Street Elbow - 1/2" - N.P.T.
33	015-44F	1	Female Quick Disconnect - 1/2" N.P.T. with Rubber Plug
34	015-44M	1	Male Quick Disconnect - 1/2" N.P.T. with Rubber Cap
35		1	Hose Assembly 32" Long - 1/2" SMNPT and 1/2" MNPT
36		1	Reducing Bushing - 3/4" - 1/2" - Sch. 40
37	010-14ZS	1	4-Bolt Flange - 3/4" N.P.T. with Kit
38	010-14A	1	Hydraulic Pump - (Vickers 3520VQ35A811DB2)
39	010-14ZR	1	4-Bolt Flange - 1 1/4" N.P.T. with Kit
40		1	Nipple - 1 1/4" N.P.T. x 3" Long - Sch. 80
41	010-18B1	1	Pressure Relief - (Vickers CT-10-F-30)
42		1	Hose Assembly - 66" Long - 1 1/4" MNPT - 1 1/4" Straight Flange
43	010-14ZT	1	Split Flange - 1 1/4" with Kit
44	010-14ZQ	1	4-Bolt Flange - 3" MNPT with Kit
45		1	Reducing Bushing - 3" - 2 1/2" - Sch. 40
46		1	Pipe - 2 1/2" N.P.T. Both Ends x 16" Long - Sch. 40
47		2	90° Elbow - 2 1/2" N.P.T. - Sch. 40
48		2	King Nipple - 2 1/2" N.P.T. - Sch. 40
49		1	Hose - 2 1/2" x 20 1/2" Long - Suction Hose
50		1	Close Nipple - 2 1/2" N.P.T. - Sch. 40
51		1	Brass Gate Valve - 2 1/2"
52		1	Pipe - 2 1/2" N.P.T. Both Ends x 18 1/2" Long - Sch. 40
53		2	Push On Fitting - 1/2" MNPT
54		1	Push On Hose - 1/2" x 85" Long
55		1	#8 O-Ring Boss - 1/2" FNPT
56		1	Pipe Plug - 3/4" N.P.T. - 1/2" Drive
57		2	90° Street Elbow - 3/8" N.P.T. - Sch. 40
58		2	Push On Fitting - 3/8" MNPT
59		1	Clear Tube - 3/8" x 5 1/4" Long
60		4	Hose Clamp - For 1 1/4" and 1 1/2" Hose
61		2	Hose Clamp - For 2 1/2" Hose
62	010-14ZZC	1	Hydraulic Oil Reservoir - 125 Gallon
63	010-14C	1	Hydraulic Motor
64	010-14ZW	1	Hydraulic Oil Cooler -
65	010-22ZK	1	Cooler Chaf Screen



KYB HYDRAULIC MOTOR (EXPLODED VIEW)

MH-135, H-135

EXPLODED VIEW



KYB HYDRAULIC MOTOR (EXPLODED VIEW)



MH-135, H-135

PARTS INFORMATION PART LIST (STANDARD MOTOR)

ITEM	DESCRIPTION	PART NO.	QTY.	GRADE	ITEM	DESCRIPTION	PART NO.	QTY.	GRADE
1	Motor Housing	20381-00136	1	C	28	"O" Ring - Cylinder Cap	95123-09500	5	A
2	Valve Housing	20381-00240	1	C	29	"O" Ring - Inter. Oil Passage	95123-03500	5	A
3	Valve Bearing	20381-02314	1	C	32	Snap Ring - Piston	94721-80251	5	D
4	Rotary Valve	20381-00422	1	C	34	Socket Head Cap Screw	92701-16450	5	D
5	Valve Seal	20381-01306	6	C	35	Socket Head Cap Screw	92701-18600	40	D
6	Valve Bearing	20381-02306	1	C	36	Socket Head Cap Screw	92701-08250	4	D
7	Valve End Cap	20381-00620	1	D	37	Socket Head Cap Screw	92701-20750	5	D
8S	Crank Shaft	20381-00762	1	C	38	Spring Washer	94101-16401	5	D
8T	Crank Shaft	20381-00773	1	C	39	Spring Washer	94101-18461	40	D
9	Crank Shaft Front Bearing	20381-00805	1	C	40	Spring Washer	94101-08201	4	D
10	Crank Shaft Rear Bearing	20381-00812	1	C	41	Spring Washer	94101-20511	5	D
11	Oldham Coupling	20381-00902	1	D	42	Drain Plug	20381-04903	2	D
12	Connecting Rod	20381-01012	5	B	43	Eye Bolt	20381-02505	1	D
13	Piston	20382-01108	5		52T	Hexagon Nut	20381-03005	1	D
14	Piston Ring	20381-01306	10	C	53T	Spring Washer	20381-03103	1	D
15	Con. Rod-Piston Collar	20381-01408	5 Set	D	54T	Plain Washer	20381-03207	1	D
16	Cylinder Cap	20381-01514	5	D	55T	Key	20381-03303	1	C
17	Con. Rod Retaining Ring	20381-01615	2	C	74	"O" Ring - Adjustment Plate	20381-09814	1	A
18	Front Cover	20381-01728	1	D	75	Socket Headless Set Screw	91541-08160	1	D
19	Adjustment Plate	20381-01814	1	D	76	Lock Fastener	20381-05801	1	A
24	Shaft Seal	20381-09905	1	A	92	Seal Washer	20381-05205	2	A
25	"O" Ring - Front Cover	95121-25000	1	A	93	Drain Plug	20381-04903	1	D
26	"O" Ring - Valve Housing	20381-09829	1	A	94	Seal Washer	20381-05205	1	A
27	"O" Ring - Valve End Cap	95121-10500	1	A					

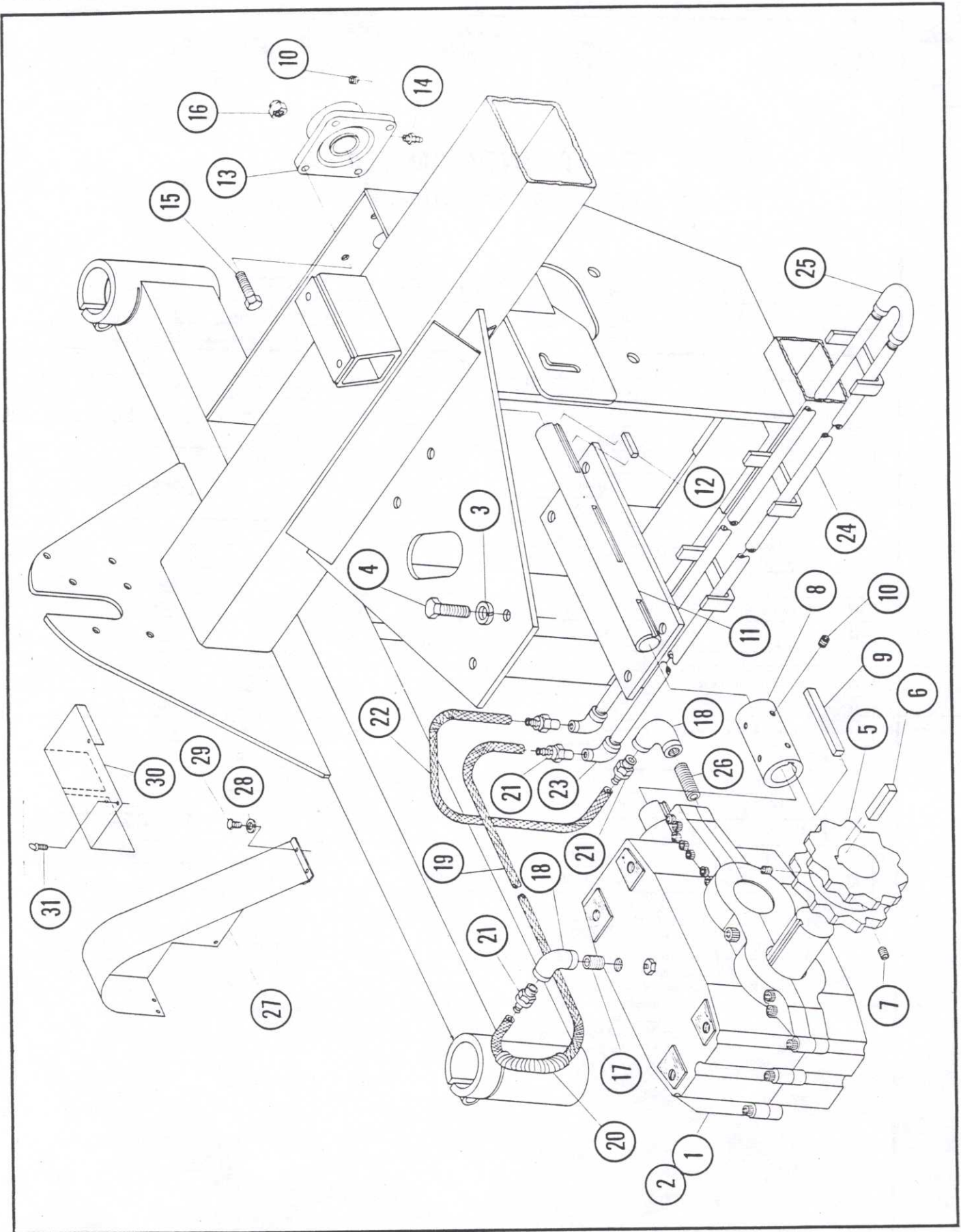
- Notes:
- Suffix S Only Spline shaft.
Suffix T Only Taper shaft
 - Grade A These parts should be replaced whenever the motor is disassembled.
Grade B These parts should be replaced only as matching pairs and will probably need replacement during the life period of the motor.
Grade C These parts will probably need replacement during the life period of the motor.
Grade D These parts seldom if ever require to be replaced.

3. Recommended Tightening Torques		
Item 34	M-16	130 ± 4 Ft.-Lbs.
Item 35	M-18	175 ± 5 Ft.-Lbs.
Item 36	M-8	22 ± 2 Ft.-Lbs.
Item 37	M-20	275 ± 5 Ft.-Lbs.
Item 52T	1 3/4 UNC	555 ± 5 Ft.-Lbs.
Item 75	M-8	22 ± 2 Ft.-Lbs.



G-750 BASIC GEAR DRIVE

G-750 ONLY



G-750 BASIC GEAR DRIVE



G-750 ONLY

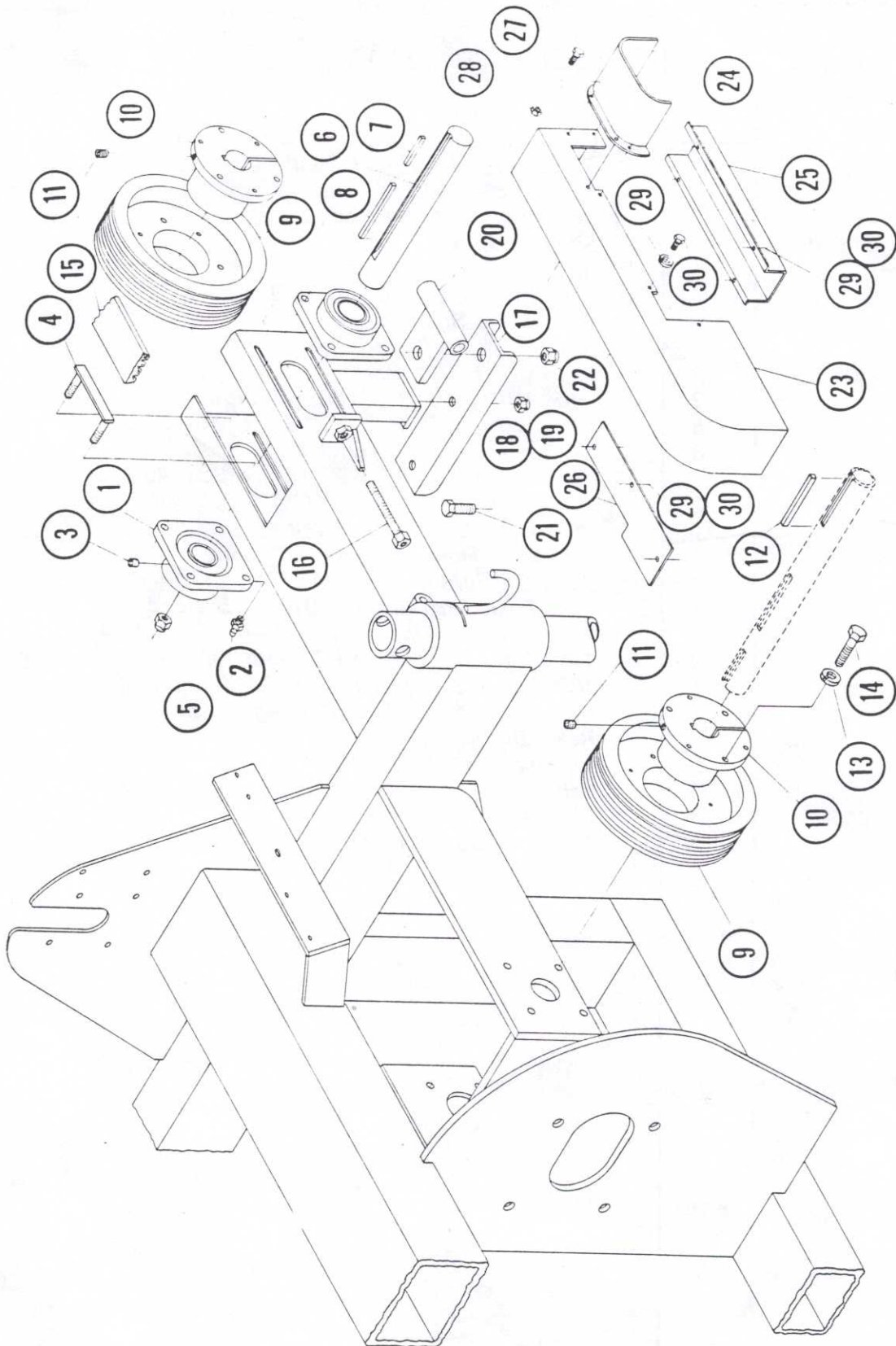
7=JR-700 1=MH-135 5=G-750

REF. NO.	PART NO.	QTY	DESCRIPTION
1	005-751	1	Gearbox "750" 10:35:1
2			Gear Lube - EP80-90
3		8	Lockwasher - 3/4"
4		4	Capscrew - 3/4" N.C. x 2" Long - Grade 5
5	005-752	1	Sprocket - #140-2 - 11 Tooth
6		1	Key - 5/8" x 5/8" x 3" Long
7		2	Setscrew - 3/8" N.C. x 1/2" Long
8	005-753	1	Shaft Coupling
9		1	Key - 3/8" x 3/8" x 5" Long
10		6	Setscrew - 3/8" N.C. x 3/8" Long
11	005-754	1	Main Drive Shaft
12		1	Key - 3/8" x 3/8" x 2 1/4" Long
13	005-755	2	Bearing - 1 3/4" Bore
14		2	Lube Fitting - 1/8" MNPT - Straight
15		8	Capscrew - 1/2" N.C. x 2" Long - Grade 5
16		8	Hexnut - 1/2" N.C. Nylok
17		1	Nipple - 1/2" N.P.T. x 2" Long - Sch. 40
18		2	90° Street Elbow - 1/2" N.P.T. - Sch. 40
19		1	1/2" Push On Hydraulic Hose - Braided - 35" Long
20		1	Hydraulic Hose Protector - 6" Long
21		4	Push On Fitting - 1/2" MNPT
22		1	1/2" Push On Hydraulic Hose - Braided - 18" Long
23		2	90° Reducing Elbow - 1 1/2" - 1/2" - Sch. 40
24		2	1 1/2" Pipe - 1 1/2 N.P.T. Both Ends x 10'-6" Long - Sch. 40
25		1	180° x 1 1/2" Open Return Bend - Sch. 40
26		1	Nipple - 1/2" N.P.T. x 3" Long - Sch. 40
27	015-20D	1	Rear Chain Guard
28		5	Lockwasher - 1/4"
29		5	Self Tap Screw - 1/4" N.C. x 3/4" Long
30	015-20E	3	Shaft Cover
31		3	Thumbscrew with Collar - 3/8" N.C. x 1" Long

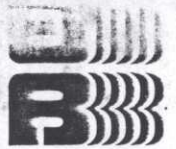


G-750 OFFSET DRIVE

G-750 ONLY



G-750 OFFSET DRIVE



G-750 ONLY

7=JR-700 1=MH-135 5=G-750

REF. NO.	PART NO.	QTY	DESCRIPTION
1	005-755	2	Bearing - 1 3/4" Bore
2		2	Lube Fitting - 1/8" MNPT - Straight
3		2	Set Screw - 3/8" N.C. x 3/8" Long
4		4	Capscrew Assembly
5		8	Hexnut - 1/2" N.C. Nylok
6	005-756	1	Offset Drive Shaft
7		1	Key - 3/8" x 3/8" x 2 1/2" Long
8		1	Key - 3/8" x 3/8" x 5" Long
9	005-757	1	Sheave - 10.9 T2B5V Super 4 Groove
10	005-758	2	Bushing
11		2	Set Screw - 3/8" N.C. x 1/2" Long
12		1	Key - 3/8" x 3/8" x 4 1/2" Long
13		6	Lockwasher - 1/2"
14		6	Capscrew - 1/2" N.C. x 2 3/4" Long - Grade 5
15	005-759	1	Belt - 5V 1250 Power Band (4)
16	005-760	2	Offset Drive Shaft Adjusting Bolt
17	005-761	1	Push Bracket
18		2	Capscrew - 5/8" N.C. x 1 1/2" Long - Grade 5 (Not Shown)
19		2	Hexnut - 5/8" N.C. Nylok
20	005-762	1	Pull Pipe and Pull Tab Assembly
21		1	Capscrew - 3/4" N.C. x 2" Long - Grade 5
22		1	Hexnut - 3/4" N.C. Nylok
23	005-763	1	Offset Guard Top
24	005-764	1	PTO Guard
25	005-765	1	Offset Guard Bottom
26	005-766	1	Shaft Cover
27		3	Capscrew - 1/4" N.C. x 3/4" Long - Grade 5
28		3	Hexnut - 1/4" N.C. Nylok
29		12	Lockwasher - 1/4"
30		12	Self Tap Screw - 1/4" N.C. x 3/4" Long



G-750 HIGH FLOW HYDRAULIC KIT

G-750 ONLY



G-750 HIGH FLOW HYDRAULIC KIT



G-750 ONLY

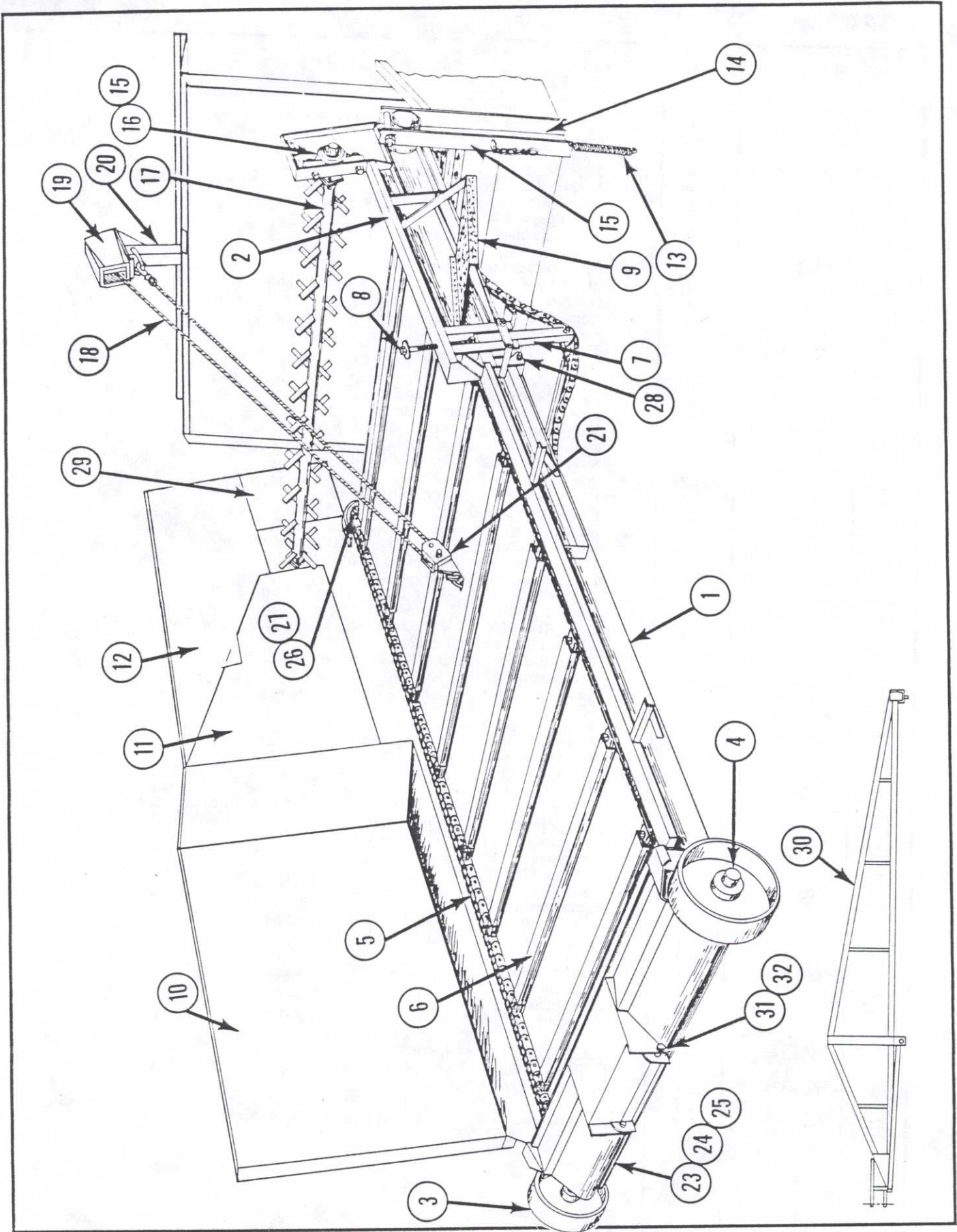
7=JR-700 1=MH-135 5=G-750

REF. NO.	PART NO.	QTY	DESCRIPTION
1	005-42A	1	Hydraulic Reservoir - 55 Gallon Capacity
2		55 GAL.	Hydraulic Oil - EP46
3	005-42B	1	Clean Out Cover Plate
4	005-42C	1	Gasket
5		16	Sealant Washer
6		16	Truss Head Screw - 1/4" N.C. x 1" Long
7		1	Pipe Plug - 3/4" N.P.T.
8	005-42D	1	Fill Cap - with Breather
9		2	90° Street Elbow - 3/8" N.P.T. - Sch. 40
10		2	Push On Fitting - 3/8" MNPT
11		1	Sight Tube - 3/8" Clear Tygon x 5 1/4" Long
12		2	90° Elbow - 3/4" N.P.T. - Sch. 40
13		1	Nipple - 3/4" N.P.T. x 4" Long - Sch. 40
14	705-42E	1	Filter Unit
15	705-42F	1	Filter Cartridge
16		1	90° Street Elbow - 3/4" N.P.T. - Sch. 40
17		1	3/4" Pipe - 20" Long - 3/4" N.P.T. Both Ends - Sch. 40
18		2	Push On Fitting - 3/4" MNPT
19		1	Push On Hose - 3/4" x 60" Long
20		1	Reducing Elbow - 3/4" - 1/2" - Sch. 40
21		2	Close Nipple - 1/2" N.P.T. - Sch. 40
22		1	Street Tee - 1/2" N.P.T. - Sch. 40
23		2	90° Hydraulic Street Elbow - 1/2" N.P.T.
24		1	Close Nipple - 1/2" N.P.T. - Sch. 80
25	015-44F	2	Quick Disconnect Fitting - 1/2" Female (One Shown)
26	015-43F	2	Rubber Plug - For 1/2" Female (Not Shown)
27	015-44M	2	Quick Disconnect Fitting - 1/2" Male (One Shown)
28	015-43M	2	Rubber Cap - For 1/2" Male Fitting (Not Shown)
29	015-14ZX	1	Flow Control Valve - 2,500 Lbs. Relief
30		2	Capscrew - 5/16" N.C. x 2 1/4" Long - Grade 5
31		2	Hexnut - 5/16" N.C. Nylok
32		1	Hose Assembly - 3/4" x 35' O.A.L. - 1/2" MNPT and 3/4" SMNPT
33		1	90° Hydraulic Street Elbow - 3/4"
34	005-444	1	Pump - (Vickers Pump V20230 13P-1A-11L)
35		2	Lockwasher - 3/8"
36		2	Capscrew - 3/8" N.C. x 1 1/2" Long - Grade 5
37		1	90° Elbow - 1 1/4" N.P.T. - Sch. 40
38		2	King Nipple - 1 1/4" N.P.T. - Sch. 40
39		4	Hose Clamp
40		1	Suction Hose - 1 1/4" x 36" Long
41		1	45° Street Elbow - 1 1/4" - Sch. 40
42		1	Gate Valve - 1 1/4"
43		1	1 1/4" Pipe x 18 1/2" Long - 1 1/4" N.P.T. Both Ends - Sch. 40
44	005-441	1	Foot Mount - S.A.E. Type A
45		4	Capscrew - 7/16" N.C. x 1 1/2" Long - Grade 5
46		4	Hexnut - 7/16" N.C. Nylok
47	005-442	1	Driven Sheave - 2B
48	005-443	1	Bushing
49		3	Lockwasher - 1/4"
50		3	Capscrew - 1/4" N.C. x 1 3/8" Long - Grade 5
51		1	Key - 3/16" x 3/16" x 1 5/8" Long
52	005-449	2	Belt - B x 46"
53	005-445	1	Drive Sheave - 2B
54	005-446	1	Bushing
55		3	Lockwasher - 5 1/6"
56		3	Capscrew - 5/16" N.C. x 2" Long - Grade 5
57		1	Key - 3/8" x 3/8" x 5" Long
58	005-447	1	Adjustable Pump Mount
59		2	Grease Nipple - 3/16" Straight Drive
60	005-448	1	Pump Mount Adjustor
61		1	Hexnut - 1/2" N.C. Nylok
62		1	Capscrew - 3/8" N.C. x 2 1/4" Long - Grade 5
63		1	Hexnut - 3/8" N.C. Nylok



FEEDTABLE

MH-135, G-750



FEEDTABLE



MH-135, G-750

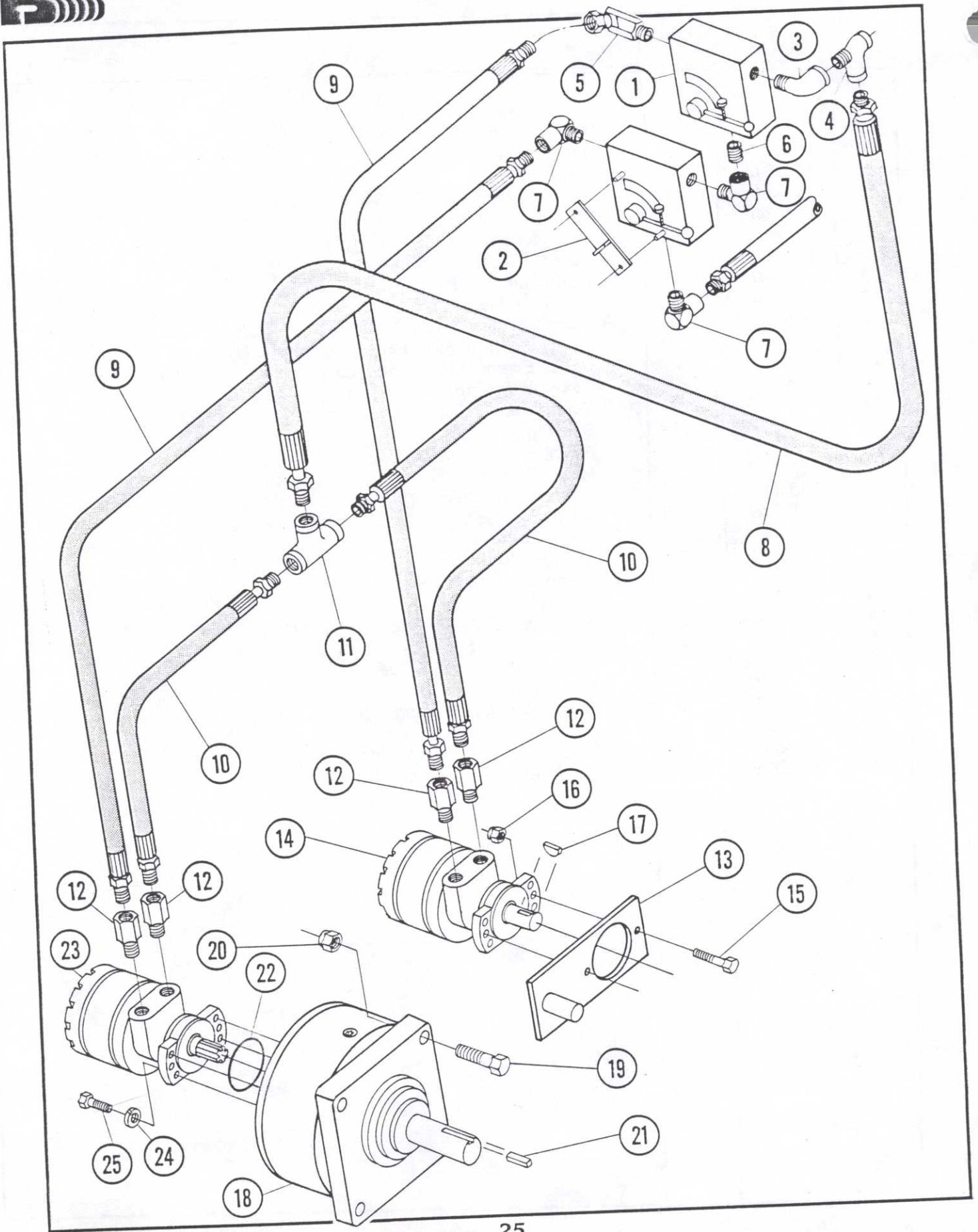
7=JR-700 1=MH-135 5=G-750

REF. NO.	PART NO.	QTY	DESCRIPTION
1	015-24A	1	Lower Platform Section
2	015-24B	1	Upper Platform Section
3	015-24C	2	Platform Trailing Wheels
4	015-24D	2	Axle
5	015-24E	2	Apron Chain - D667X Steel Pintle
6	015-24F	1	Apron Flight
		18	Complete Apron Chain with Flights
7	015-24G	2	Apron Chain Take-Up
8	015-24H	2	Adjustment Bolt
9	015-24I	1	Operator Platform
10	015-24J	2	Lower Section Side Panel - R. and L.H.
11	015-24K	2	Upper Section Side Panel - R. and L.H.
12	015-24L	2	Panel Extension - R. and L.H.
13	015-24M	2	Take-Up Spring
14	015-24O	2	Table Yoke - R. and L.H.
15	015-24P1	1	Bearing - 1 1/2"
16	015-24Q	1	Mixer Shaft Idler End
17	015-24R	1	Mixer Beater
18	015-24T	1	Hoist Cable
19	015-24U	1	Hoist Electric
20	015-24V	1	Hoist Column
21	015-24W	1	Sheave/Hook
22	015-24Y	2	Apron Lower Idle Shaft
23	015-24Z	2	Spacer
24	015-24ZA	2	Sprocket - 5-Tooth Idle - 1 1/2" Bore
25	015-24ZB	2	Apron Upper Shaft Drive
26	015-24ZC6	2	Sprocket - 6-Tooth Drive
27	015-24ZD	2	Hinge Pin
28	015-24ZG	2	Lower Panel Extension - R. and L.H.
29	015-28AF	1	Field Hitch
30	015-28AP	2	Field Hitch Retaining Pins
31	015-28AC	2	Field Hitch Retaining Clips



FEEDTABLE HYDRAULICS

MH-135, G-750



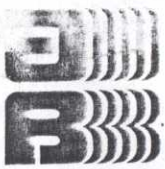
FEEDTABLE HYDRAULICS



MH-135, G-750

7=JR-700 1=MH-135 5=G-750

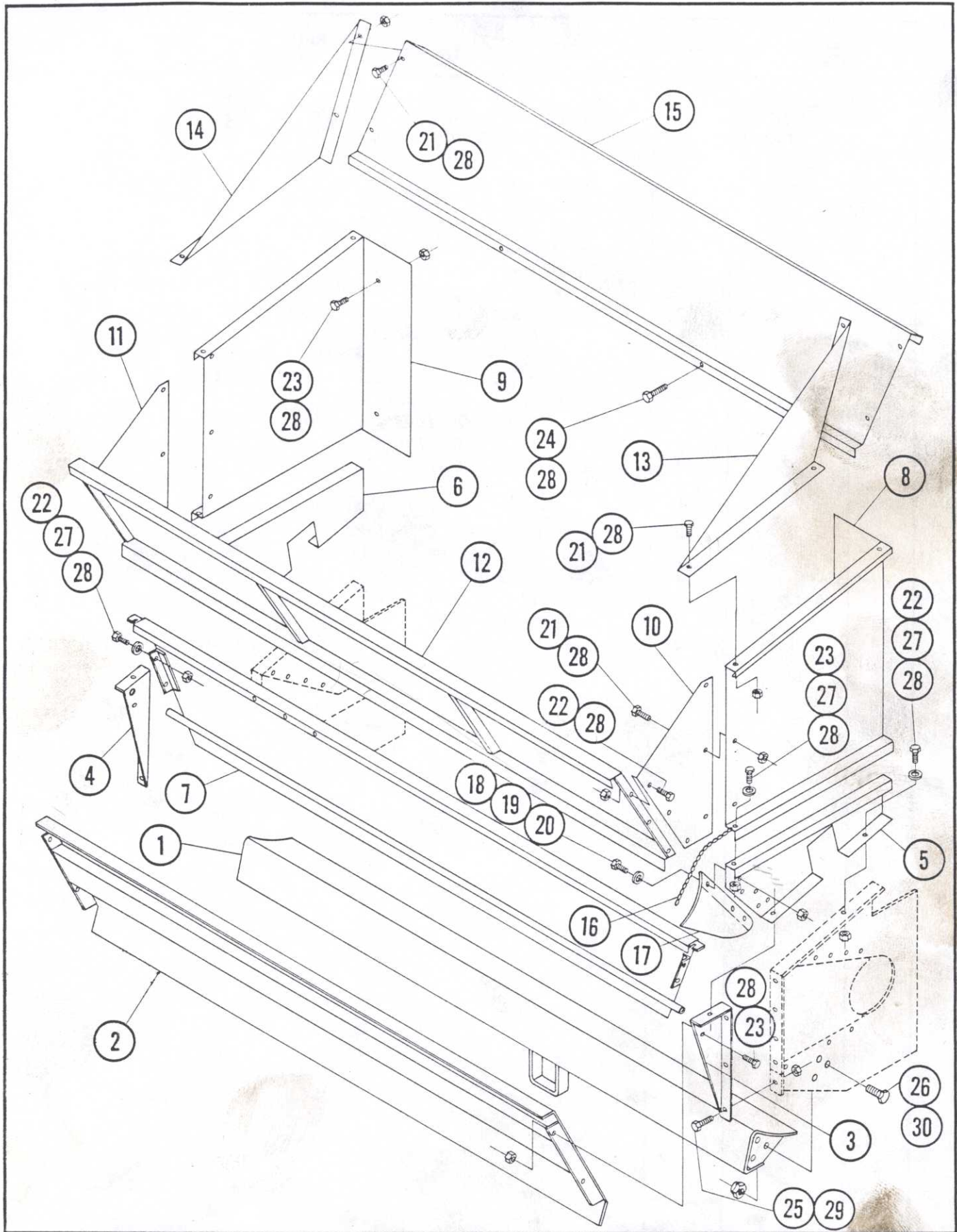
REF. NO.	PART NO.	QTY	DESCRIPTION
1	015-14ZX	2	Flow Control Valve - 2,500 Lbs. Relief
2	015-14ZX1	1	Table Flow Control Stop
3		1	90° Street Elbow - 1/2" N.P.T. - Sch. 40
4		1	Street Tee - 1/2" N.P.T. - Sch. 40
5		1	45° Hydraulic Elbow - 1/2" N.P.T.
6		1	Close Nipple - 1/2" N.P.T. - Sch. 80
7		3	90° Hydraulic Street Elbow
8		1	Hose Assembly - 3/4" x 183" Long - 1/2" SMNPT & 1/2" MNPT
9		2	Hose Assembly - 1/2" x 200" Long - 1/2" SMNPT & 1/2" MNPT
10		2	Hose Assembly - 1/2" x 23" Long - 1/2" SMNPT & 1/2" MNPT
11		1	Tee - 1/2" N.P.T. - Sch. 40
12		4	#10 O-Ring Boss - 1/2" FNPT
13	015-61M	1	Feedtable Beater Hydraulic Motor Mount
14	015-26J	1	Hydraulic Motor - with Keyed 1" Shaft
15		2	Capscrew - 1/2" N.C. x 2" Long - Grade 5
16		2	Hexnut 1/2" N.C. Nylok
17		1	Woodruff Key - 1/4" x 1"
18	015-61J	1	Planetary Gearbox - 6:1
19		4	Capscrew - 3/4" N.C. x 2 1/2" Long - Grade 5
20		4	Hexnut - 3/4" N.C. Nylok
21		1	Key - 3/8" x 3/8" x 5" Long
22		1	O-Ring - 3 1/4" I.D.
23	015-26J6	1	Hydraulic Motor - with 6B Splined Shaft
24		4	Lockwasher - 1/2"
25		4	Capscrew - 1/2" N.C. x 1 1/4" Long - Grade 5



HOPPER GROUP

MH-135, G-750

C8C



HOPPER GROUP



MH-135, G-750

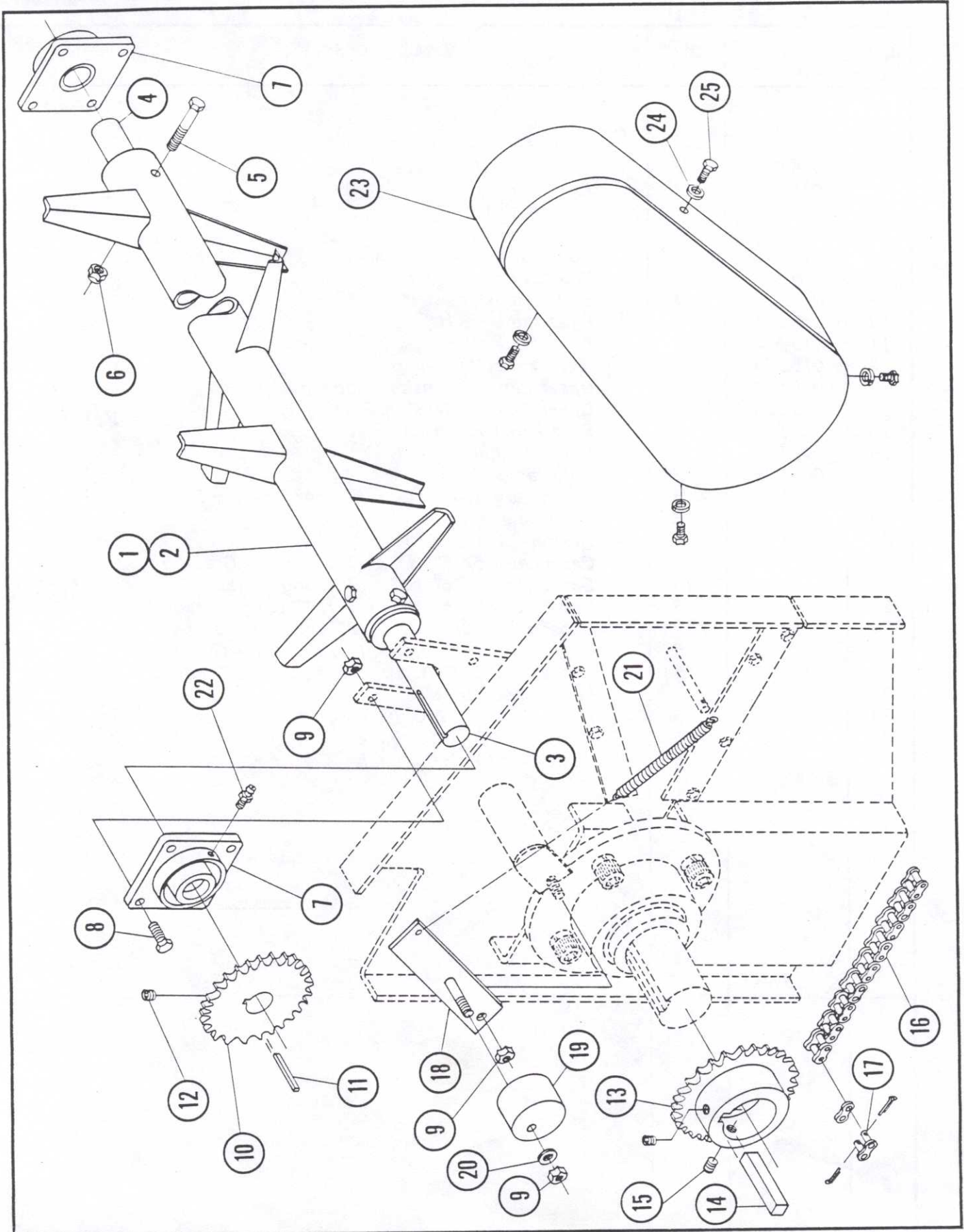
7=JR-700 1=MH-135 5=G-750

REF. NO.	PART NO.	QTY	DESCRIPTION
1	015-512	1	Basic Bottom Assembly
2	015-513	1	Basic Front Assembly
3	015-514	1	Extension - R.H.
4	015-515	1	Extension - L.H.
5	015-516	1	Side Plate - R.H.
6	015-517	1	Side Plate - L.H.
7	015-518	1	Adjustable Front Assembly
8	015-519	1	Side Extension - R.H.
9	015-520	1	Side Extension - L.H.
10	015-521	1	Filler Plate - R.H.
11	015-522	1	Filler Plate - L.H.
12	015-523	1	Front Panel Assembly
13	015-524	1	Upper Panel Extension Side - R.H.
14	015-525	1	Upper Panel Extension Side - L.H.
15	015-526	1	Rear Panel Extension
16	015-527	2	Support Chain - 14 1/2" Long
17	015-528	2	Adjustable Fill In
18		6	Capscrew - 1/4" N.C. x 1" Long - Grade 5
19		6	Flatwasher - 1/4"
20		6	Hexnut - 1/4" N.C. Nylok
21		14	Capscrew - 5/16" N.C. x 3/4" Long - Grade 5
22		14	Capscrew - 5/16" N.C. x 1" Long - Grade 5
23		8	Capscrew - 5/16" N.C. x 1 1/4" Long - Grade 5
24		2	Capscrew - 5/16" N.C. x 2" Long - Grade 5
25		6	Capscrew - 1/2" N.C. x 1 1/2" Long - Grade 5
26		6	Capscrew - 5/8" N.C. x 1 3/4" Long - Grade 5
27		10	Flatwasher - 5/16"
28		38	Hexnut - 5/16" N.C. Nylok
29		6	Hexnut - 1/2" N.C. Nylok
30		6	Hexnut - 5/8" N.C. Nylok



BEATER BAR GROUP

MH-135, G-750



BEATER BAR GROUP



MH-135, G-750

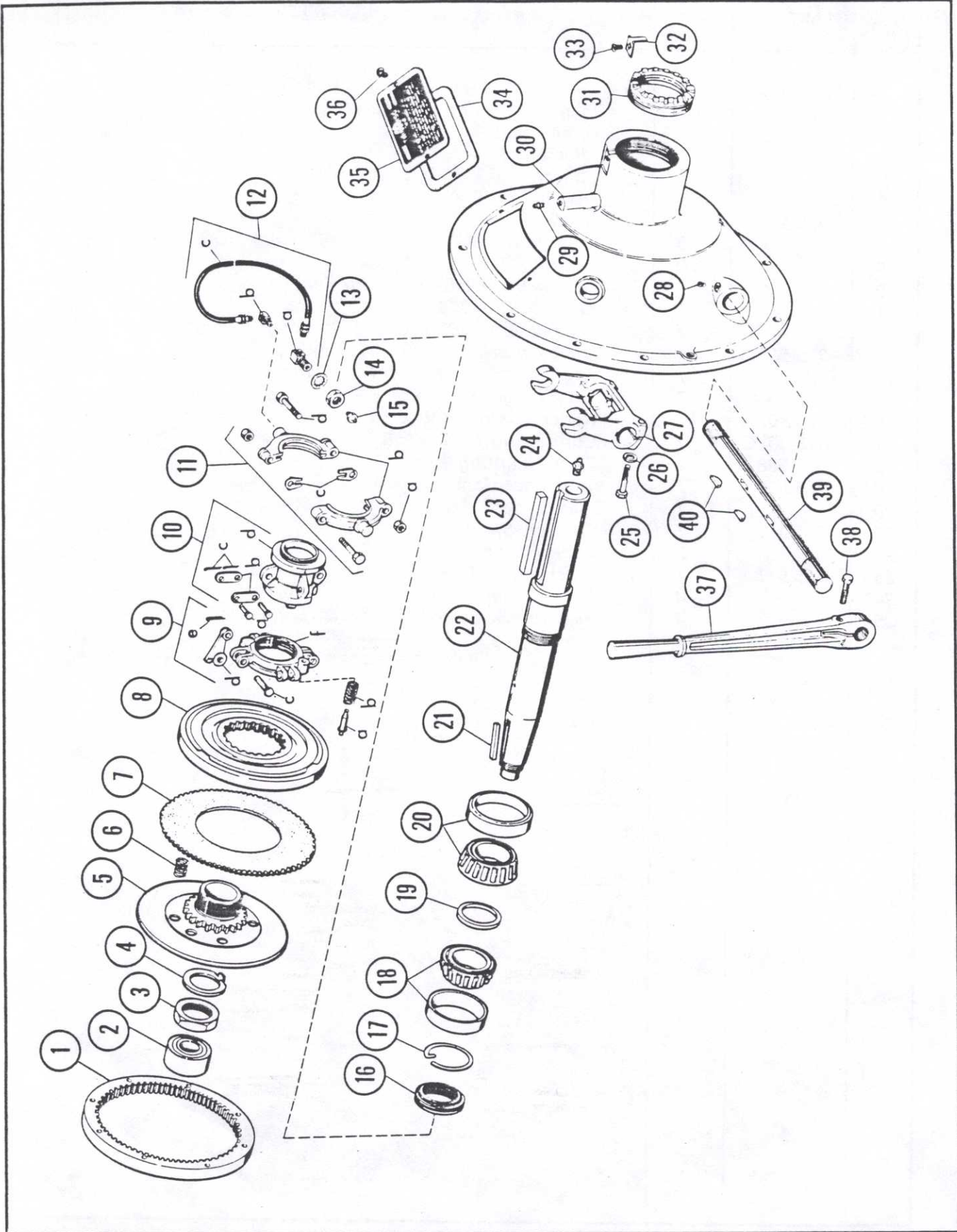
7=JR-700 1=MH-135 5=G-750

REF. NO.	PART NO.	QTY	DESCRIPTION
1	015-501	1	Beater Bar Assembly - Complete with Shafts
2	015-502	1	Beater Bar Tube - with Teeth
3	015-503	1	Drive Shaft
4	015-504	1	Idler Shaft
5		3	Capscrew - 3/8" N.C. x 3 1/2" Long - Grade 5
6		3	Hexnut - 3/8" N.C. Nylok
7	015-529	2	Bearing - 1 1/2"
8		8	Capscrew - 1/2" N.C. x 1 3/4" Long - Grade 5
9		10	Hexnut - 1/2" N.C. Nylok
10	015-505	1	Driven Sprocket - #60 - 26 Tooth
11		1	Key - 3/8" x 3/8" x 1 1/2" Long
12		2	Set Screw - 3/8" N.C. x 3/8" Long
13	015-506	1	Drive Sprocket - #60 - 27 Tooth
14		1	Key - 3/4" x 3/8" x 1 1/2" Long
15		2	Set Screw - 1/2" N.C. x 1/2" Long
16	015-507	1	Roller Chain - #60 x 84 Pitches
17	015-507C	1	Connecting Link - #60
18	015-508	1	Cam Mounting Bar
19	015-509	1	Tensioner Cam - UHMW
20		1	Flatwasher - 1/2"
21	015-510	1	Tension Spring
22		2	Lube Fitting - 1/4" N.P.T.
23	015-511	1	Safety Shield
24		4	Lockwasher - 1/4"
25		4	Self Tap Screw - 1/4" x 3/4" Long



CLUTCH BREAKDOWN

MH-135, G-750



CLUTCH BREAKDOWN



MH-135, G-750

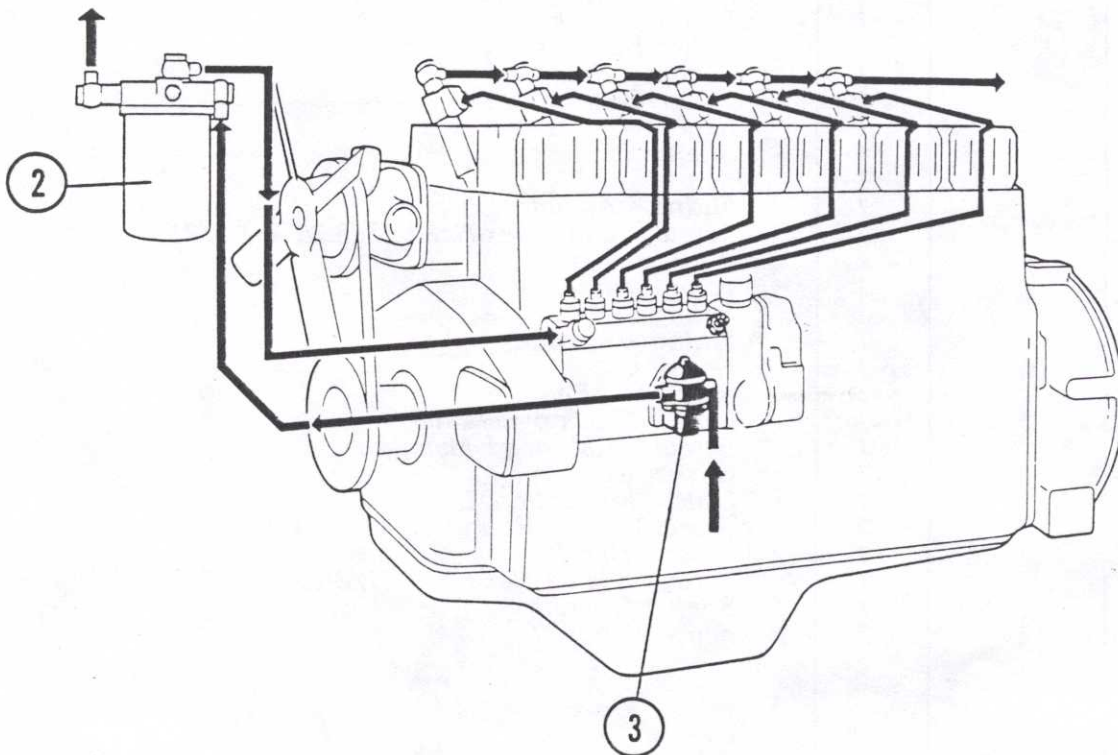
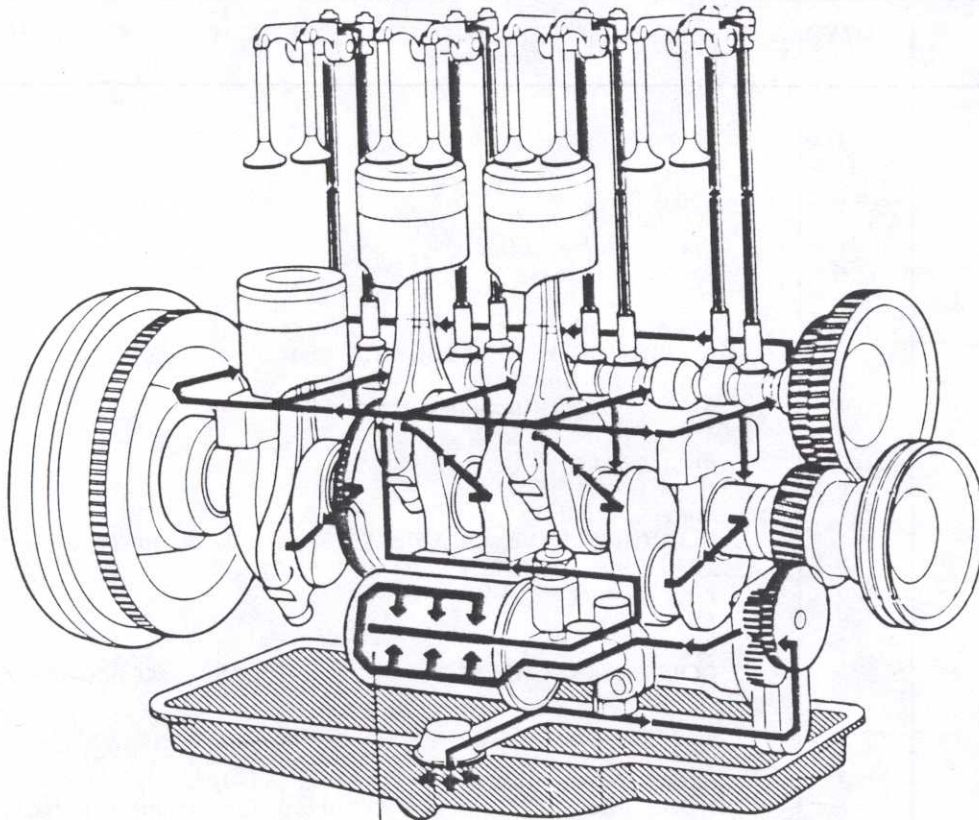
7=JR-700 1=MH-135 5=G-750

REF. NO.	PART NO.	QTY	DESCRIPTION
1		1	Ring - Driving
2		1	Bearing - Pilot
3		1	Nut - Hub
4		1	Washer - Lock (Hub Nut)
5		1	Plate - Hub-and-Back
6		6	Spring - Release
7		1	Plate - Driving
8		1	Plate - Floating
9			ADJUSTING YOKE ASSEMBLY (See A - F below for assembly parts.)
A		1	Pin - Adjusting Lock
B		1	Spring - Adjusting Lock Pin
C		4	Pin - Finger
D		4	Finger Lever
E		4	Pin - Cotter
F		1	Yoke - Adjusting
10			SLIDING SLEEVE ASSEMBLY (See A - D below for assembly parts.)
A		8	Pin - Link Lever #B1537D and #B1537C
B		8	Link - Lever #119B2
C		8	Pin - Cotter
D		1	Sleeve - Sliding
11			COLLAR ASSEMBLY (See A - D below for assembly parts.)
A		2	Nut - Hex
B		1	Collar
C		2	Shim
D		2	Screw - Cap - Hex-Head (3/8-24 x 2-1/4)
12			HOSE ASSEMBLY (See A - C below for assembly parts.)
A		1	Fitting
B		1	Fitting
C		1	Hose, Flexible
13		1	Washer - Lock
14		1	Nut - Jam
15		1	Fitting - Alemite
16		1	Nut - Bearing Retainer
17		1	Spring - Lock
18		1	Roller Bearing
19		1	Spacer - Bearing
20		1	Roller Bearing
21		1	Key
22		1	Shaft
23		1	Key
24		1	Fitting - Alemite
25		2	Screw - Cap - Hex-Head (3/8-16 x 1-1/2)
26		2	Washer - Lock
27		1	Yoke - Throwout
28		2	Fitting
29		1	Fitting - Alemite
30		1	Housing
31		1	Retainer - Bearing
32		1	Lock - Bearing Retainer
33		1	Screw - Flat Head Machine
34		1	Gasket
35		1	Plate - Instruction Cover
36		2	Screw - Cap - Round Head (1/4-20 x 1/2)
37		1	Lever - Hand
38		1	Screw - Cap - Hex-Head (1/2-13 x 1-3/4)
39		1	Shaft - Operating
40		2	Key - Woodruff



MWM DIESEL ENGINE

MH-135, G-750



MWM DIESEL ENGINE



MH-135, G-750

7=JR-700 1=MH-135 5=G-750

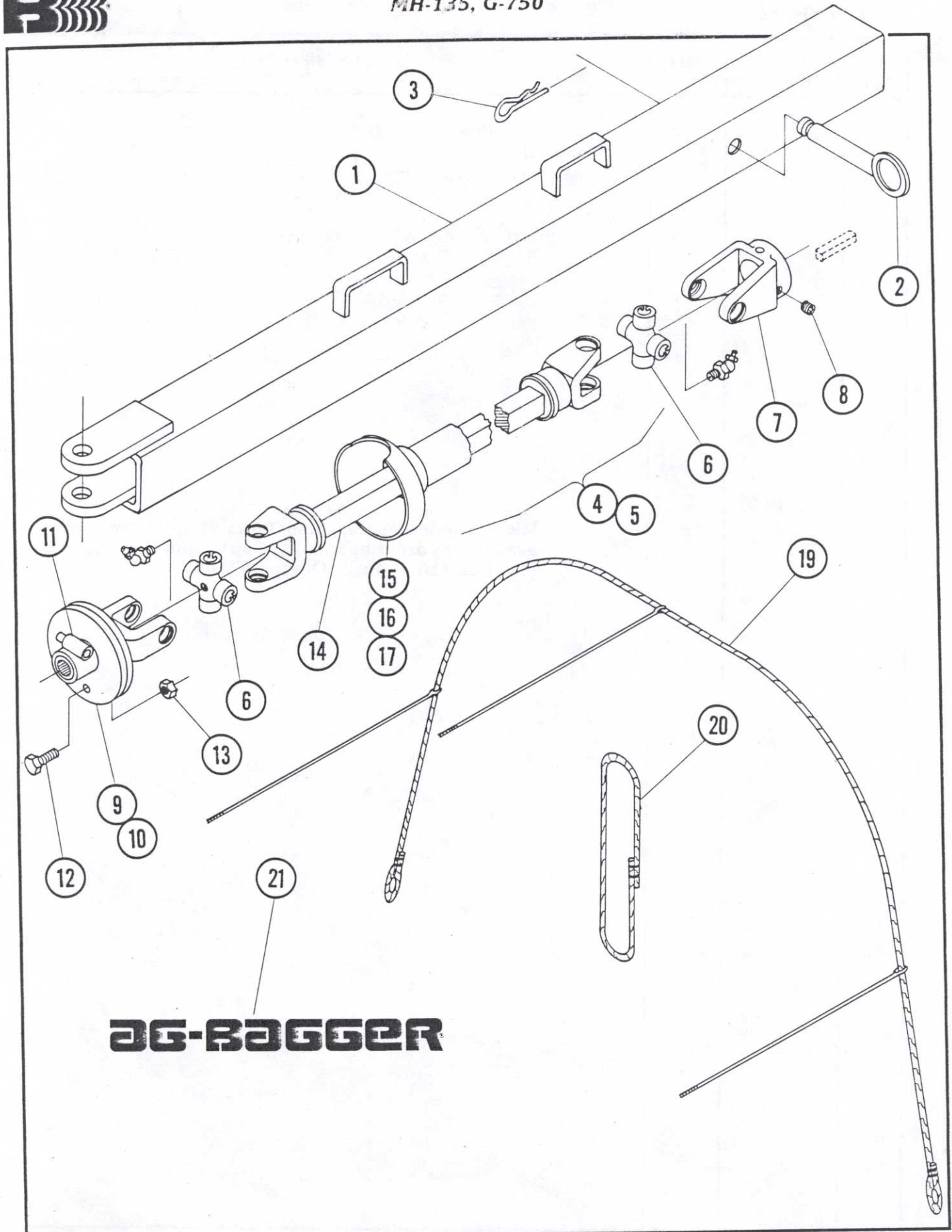
REF. NO.	PART NO.	QTY	DESCRIPTION
1	010-180	1	Lube Oil Filter
2	010-181	1	Fuel Filter
3	010-182	1	Diaphragm Feed Pump

MWM Service Manual and Parts Manual are available by ordering from Ag-Bag Corporation, P.O. Box 418, Astoria, Oregon 97103.



MISCELLANEOUS GROUP

MH-135, G-750



AG-BAGGER

MISCELLANEOUS GROUP



MH-135, G-750

7=JR-700 1=MH-135 5=G-750

REF. NO.	PART NO.	QTY	DESCRIPTION
1	715-28A	1	Field Hitch
2	715-28A1	1	Retainer Pin
3		1	Hair Pin
4	005-ZZ0	1	PTO Shaft - Complete 6 Spline 540 RPM (G-750 ONLY)
5	005-ZZ1	1	PTO Shaft - Complete 21 Spline 1,000 RPM (G-750 ONLY)
6	705-ZZ2	2	Complete Cross Kit (Includes Grease Nipple)
7	005-ZZ3	1	Implement Yoke - 1 3/4" Bore (G-750)
8		1	Set Screw - 3/8" N.C. x 3/8" Long
9	705-ZZ4	1	Shear Yoke - 6 Spline 540 RPM
10	005-ZZ5	1	Shear Yoke - 21 Spline 1,000 RPM
11	705-ZZ6	1	Snap Hitch Pin Repair Kit
12		1	Capscrew - 5/8" N.C. x 3" Long - Grade 2
13		1	Hexnut - 5/8" N.C. Nylok
14	005-ZZ7	1	Shafts and Yokes Assembly
15	005-ZZ8	1	Metal Shield
16	705-ZZ9	2	Nylon Bearing
17	705-ZZ9A	2	Thrust Washer
18	705-ZZ10	2	Snap Ring
19	015-10K	1	Bag Support Bungee Cord Assembly
20	715-10K2	2	Bag Pan Support Bungee Cord Assembly
21	015-10C1	1	Decals - Complete Set (Specify Model)