

# Parts Manual



The parts manual is organized into groups, it is designed to make the locating of parts easier. The exploded drawings also show assembly paths. All parts listed are available from your authorized Ag-Bag® Dealer.

## G7000

THIS PAGE INTENTIONALLY LEFT BLANK

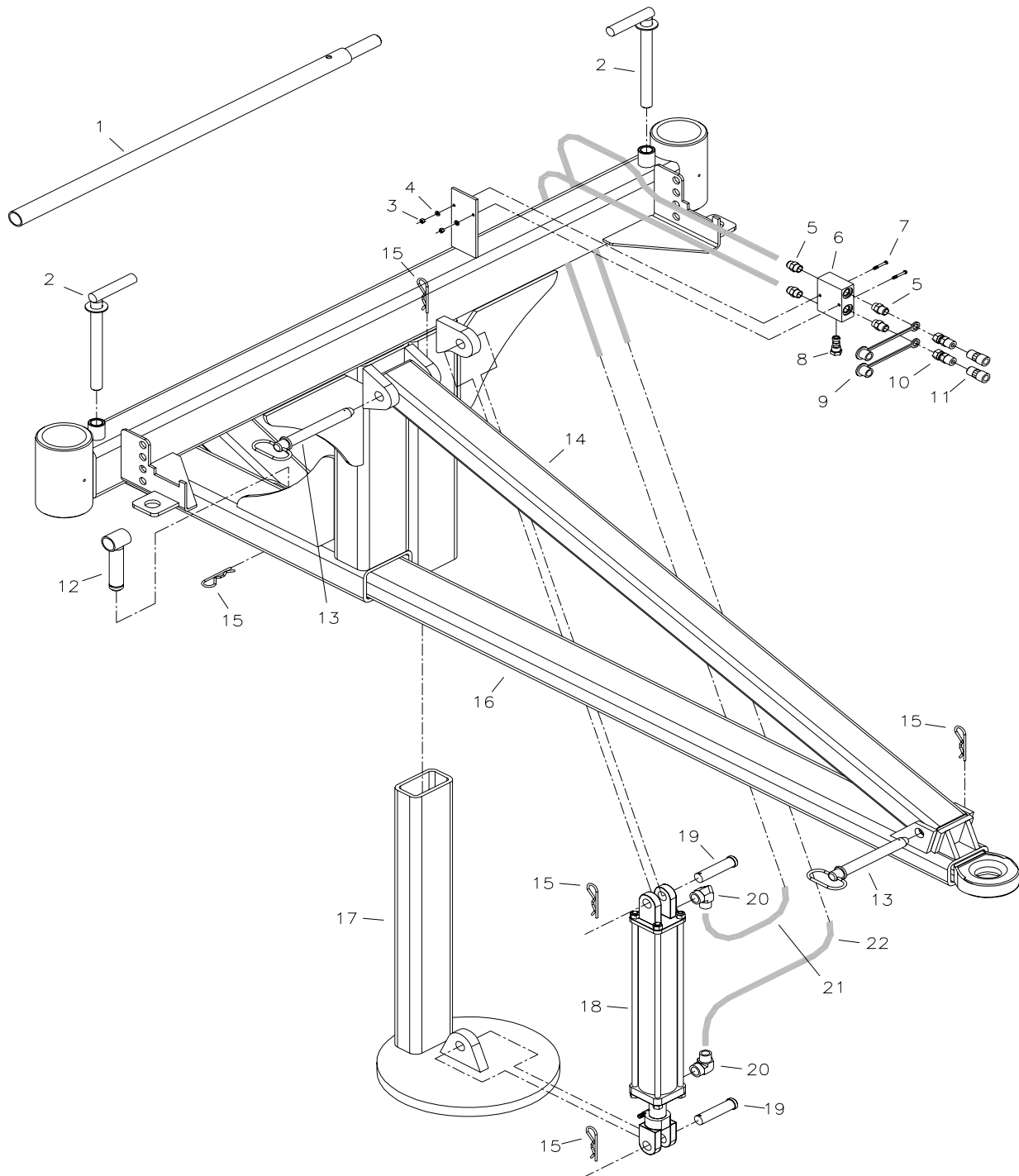
---

# PARTS

TOWING SYSTEM .....	4
LIFT JACK CAB END .....	6
BAGGING HITCH .....	8
HOPPER - FEED TABLE MOUNT .....	10
WHEEL .....	12
STEERING .....	14
ROTOR GROUP .....	16
PTO TRACTOR .....	18
PTO INTERMEDIATE .....	20
PLANETARY COOLING SYSTEM .....	22
BEATER BAR GROUP .....	24
CABLE DRUM & BACKSTOP .....	26
BRAKE & CABLE DRUM .....	28
TUNNEL, EXTENSION & CLEAN OUT .....	30
CONVERTIBLE TUNNEL, EXTENSION & CLEAN OUT .....	32
BAG BOOM & CRADLE .....	34
BAG PAN SYSTEM .....	36
FEED TABLE - DRIVE END .....	38
FEED TABLE - IDLE END .....	39
FEED TABLE WHEEL .....	42
HYDRAULICS - PRIMARY SYSTEM .....	44
HYDRAULICS - FEED TABLE BELT .....	46
HYDRAULICS - UPPER BEATER BAR .....	48
HYDRAULICS - FEED TABLE LIFT .....	50
HYDRAULICS - TUNNEL CLEAN OUT .....	52
HYDRAULICS - CABLE REWIND .....	54
GANDY APPLICATOR .....	56

# PARTS MANUAL

## Towing System

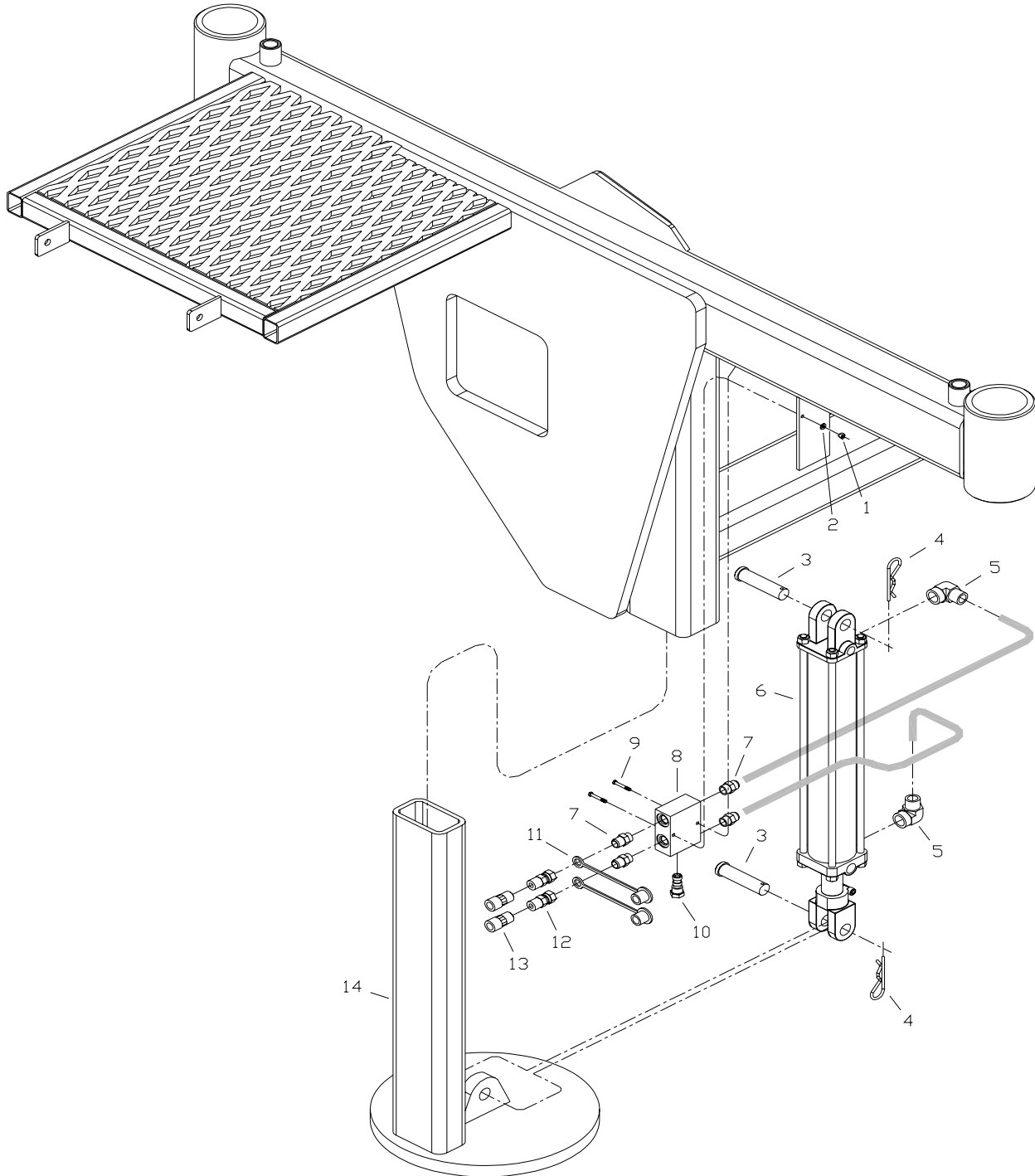


# PARTS MANUAL

## Towing System - Parts List

Item#	Part#	Description	Qty.	Remarks
1	1120011	Bar, Wheel Turn	1	
2	1010035	Lock, Manual Steering Wheel	2	
3	Ref.	Nut, Hex	2	1/4-20
4	Ref.	Washer, Flat	2	1/4
5	Ref.	Coupler, Hydraulic	4	
6	1212008	Manifold, Cylinder Check Valve		
7	Ref.	Capscrew, Hex	2	1/4-20nc x 2-1/2
8	1541795	Valve, PO Check	1	
9	1501094	Cap, Plastic Female Pioneer	2	
10	1540369	Cylinder, Hydraulic	2	3 x 18
11	1540115	Coupler, quick Female	2	1/2 NPTF
12	1120046	Pin, Pintle Hitch	1	1-1/4 x 5-1/4
13	1550170	Pin, Hitch	2	1 x 8
14	Ref.	Brace, Pintle Hitch	1	
15	Ref.	Pin, Hair	5	
16	Ref.	Hitch Pintle	1	
17	Ref.	Jack Base, Two End	1	
18	1541342	Cylinder, Hydraulic	1	3 x 18
19	Ref.	Pin, Clevis	2	
20	1100081	Fitting, Assembly C5405 x 8 x 8 - 7238 x 6.055	2	
21	Ref.	Hose Assembly, Jack Long	1	
22	Ref.	Hose Assembly, Jack Short	1	

Lift Jack Cab End



## PARTS MANUAL

### *Lift Jack Cab End - Parts List*

Item#	Part#	Description	Qty.	Remarks
1	Ref.	Nut, Hex	2	1/4-20
2	Ref.	Washer, Flat	2	1/4
3	Ref.	Pin, Clevis	2	
4	Ref.	Pin, Hair	5	
5	1100081	Fitting Assembly C5405 x 8 x 8 - 7238 x 6.055	2	
6	1541342	Cylinder, Hydraulic	1	3 x 18
7	Ref.	Coupler, Hydraulic	4	
8	1212008	Manifold, Cylinder Check Valve	1	
9	Ref.	Capscrew, Hex	2	1/4-20nc x 2-1/2
10	1541795	Valve, PO Check	1	
11	1501094	Cap, Plastic Female Pioneer	2	
12	1540369	Fitting, Hydraulic	2	9100 x 8 x 8
13	1540115	Coupler, quick Female	2	1/2 NPTF
14	1212016	Jack Base, Hydraulic	1	Platform End



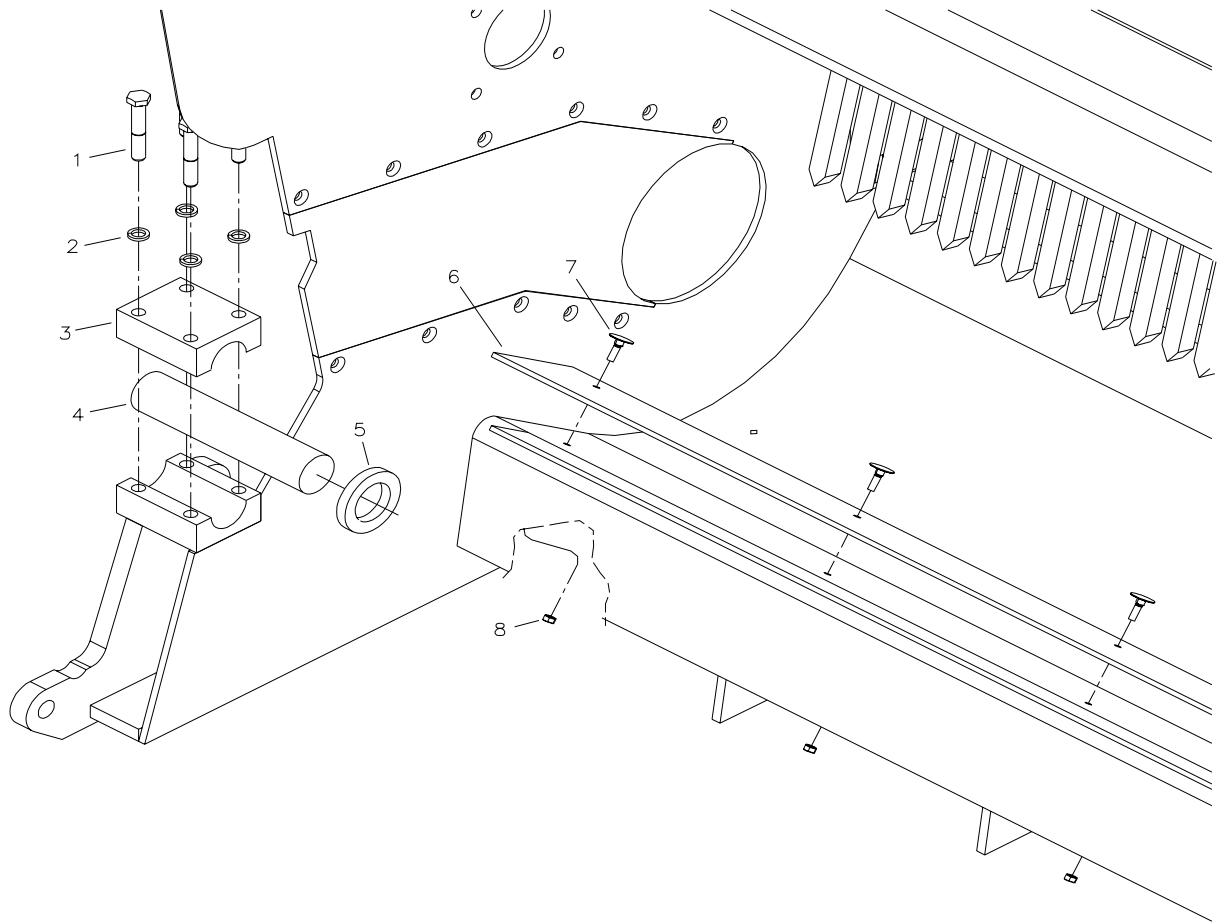


## PARTS MANUAL

### *Bagging Hitch - Parts List*

Item#	Part#	Description	Qty.	Remarks
1	Ref.	Frame	1	
2	1550156	Pin, Clevis	5	1 x 3-1/4
3	1110001	Clevis, Tow Hitch	1	
4	1550168	Pin, Hair	9	
5	1550170	Pin, Hitch	2	
6	1110004	Hitch, tow	1	
7	1550126	Nut, Hex	3	1/2-13nc Lock
8	N/A			
9	1550022	Capscrew, Hex	3	1/2-13nc x 3
10	1110002	Clevis, Side Hitch	1	
11	1550158	Pin, Clevis	4	1 x 4
12	7011002	Hitch, Side	1	
14	Ref.	Feed Table	1	
15	1080005	Bracket, Feed Table Tractor Mount	1	
16	7011000	Hitch, Feed Table Side	1	

Hopper - Feed Table Mount

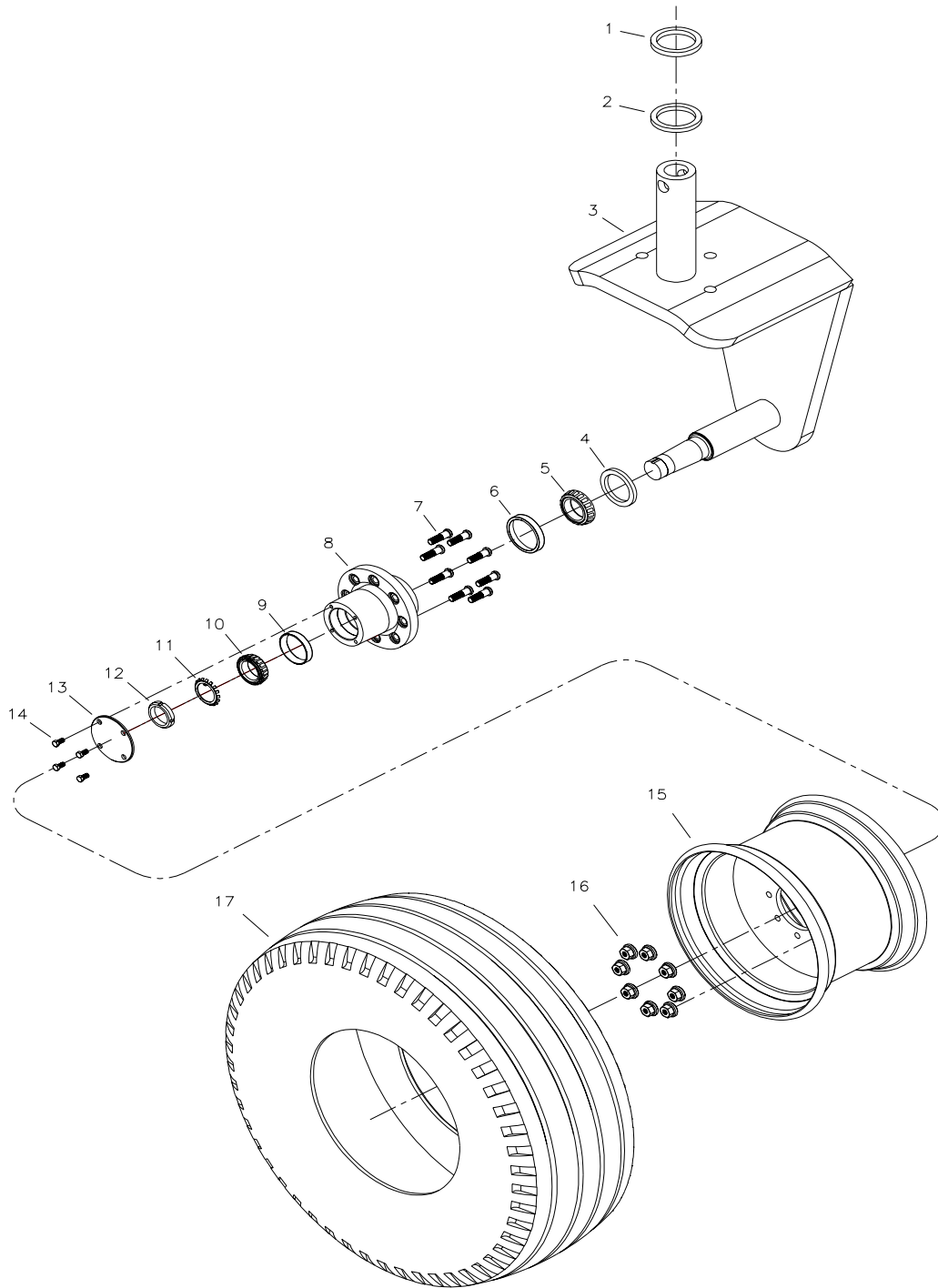


## PARTS MANUAL

### *Hopper Feed Table Mount - Parts List*

Item#	Part#	Description	Qty.	Remarks
1	ref.	Capscrew, Hex	8	5/8-11nc x 3
2	ref.	Washer, Lock	8	5/8
3	ref.	Anchor Block, Feed Table mounting shaft	2	
4	1080048	Shaft, Feed Table mounting	2	
5	1120449	Spacer, Feed Table	2	
6	ref.	Liner, UHMW	1	
7	ref.	Capscrew, counter sunk elevator	8	5/16-18nc x 1-1/4 flat
8	ref.	Nut, Hex	11	5/16-18nc lock

Wheel

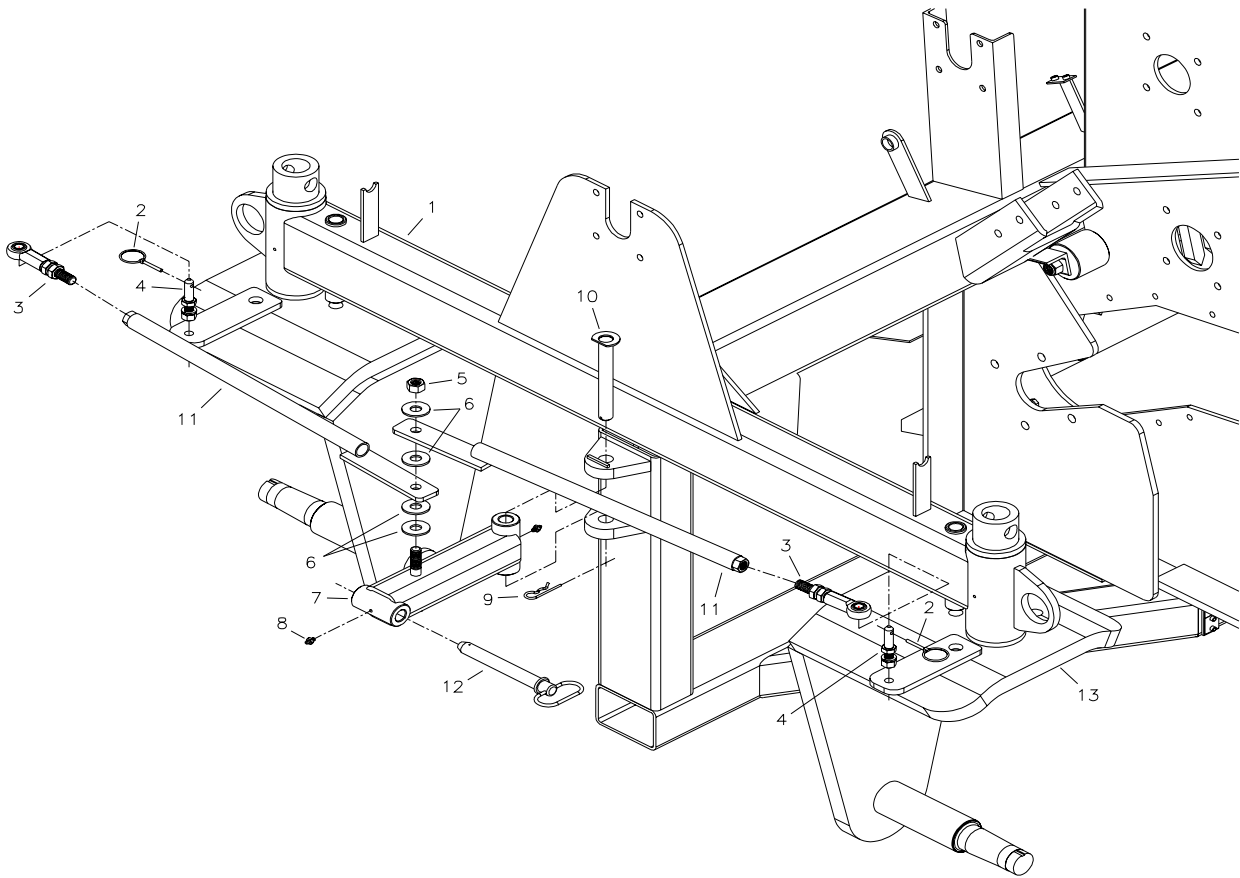


## PARTS MANUAL

### Wheel - Parts List

Item#	Part#	Description	Qty.	Remarks
1	1010049	Ring, Wheel Column Retaining	1	4
2	1010050	Spacer, Wheel Column Bronze	1	4 ID
3	7001022	Wheel Column Weldment	1	20-1/2 Drive
4	1500367	Seal, Oil	1	417159
5	1510087	Bearing, Roller Cone	1	
6	1510131	Bearing, Roller Cup	1	
7	1550295	Stud, 9/16 x 2 15/16	8	NAPA 641-3223
8	1010076	Hub, Wheel 8000 Welded	1	
9	1510225	Bearing, Roller Cup	1	
10	1510092	Bearing, Roller Cone	1	
11	1550230	Washer, Lock	1	External Tooth W10
12	1550138	Nut, Lock	1	W10
13	1010012	Cover, Wheel Hub	1	
14	1550064	Cable Drum, Inboard Brake	1	250-foot
15	1501494	Rim, 19.5 x 12.25 Idle	1	8-hole
16	1550142	Nut, Lug	8	9/16
17	1501493	Tire, 385/65 R19.5	1	
Ref.	1501528	Stem, Valve	1	502
Ref.	1501526	Tire, W/Rim 385/65R 19.5	1	
Ref.	1010035	Lock, Manual Steering Wheel	1	
Ref.	1120011	Bar, Wheel Turn	1	

Steering

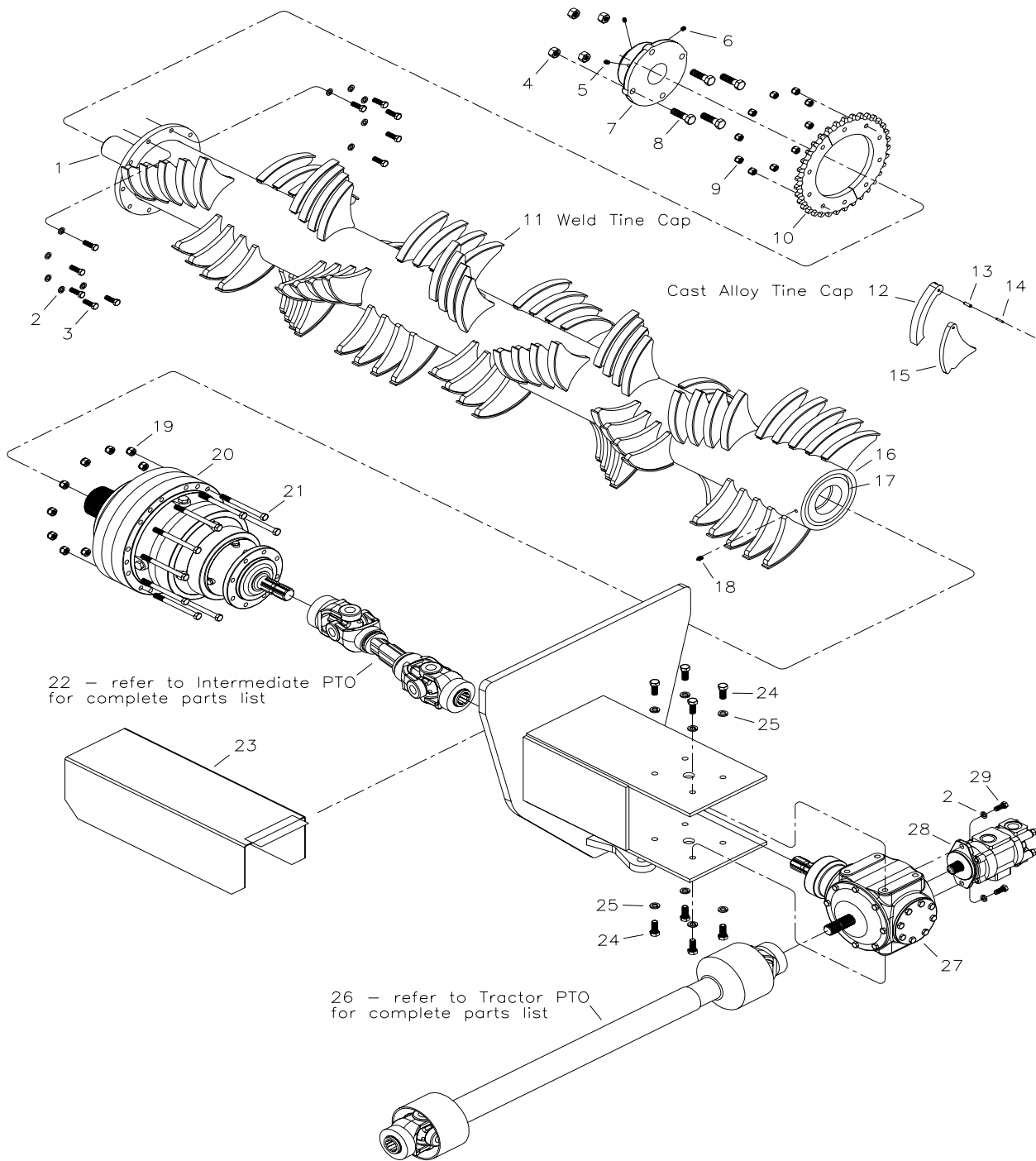


## PARTS MANUAL

### Steering - Parts List

Item#	Part#	Description	Qty.	Remarks
1	Ref	Frame	1	
2	1550184	Pin, Snap	2	
3	1010024	Rod, End	2	
4	1550186	Pin, Lift Arm Adjustable	2	5/8
5	Ref.	Nut, Hex	1	3/4-10nc lock
6	Ref.	Washer	ref	flat
ref	1120059	Spacer, Steering	ref	
7	1110005	Pivot Arm, Steering Hitch Mount	1	
8	Ref.	Fitting, Grease Zerk	1	1/4-28nf
9	1550169	Pin, Hair	1	5/32 x 2-15/16
10	1120047	Pin, Steering Hitch	1	1 x 8
11	1110000	Arm, Steering	2	
12	1550170	Pin, Hitch	1	1 x 8
13	7001021	Wheel Column Weldment	ref	
ref	1120011	Bar, Wheel Turning	1	
ref	1010035	Lock, Manual Steering Wheel	ref	

## Rotor Group





## PARTS MANUAL

### *Rotor Group - Parts List*

Item#	Part#	Description	Qty.	Remarks
1	6002008	Stub Shaft, Rotor Idle	1	2-15/16 x 15
2	ref.	Washer, Split Lock	ref	1/2
3	ref.	Capscrew, Hex	10	1/2-13nc x 1-1/2
4	ref.	Nut, Hex	4	1/2-13nc lock
5	1541638	Fitting, Grease 1610-BL	1	
6	1550335	Screw, Set	2	
7	1510025	Bearing, 4-Bolt Flange Spherical	1	
8	ref.	Capscrew, Hex	4	3/4-10nc x 2-1/2
9	ref.	Nut, Hex	10	1/2-13nc lock
10	1120496	Sprocket, Beater Bar Drive	1	Rotor 100A35
11	1020001	Cap, Tine	100	1 x 3/16 x 8-13/17
12	1020021	Cap, Tine Removable Cast	100	
13	ref.	Pin, Slotted Spring	100	3/8 x 1
14	ref.	Pin, Slotted Spring	100	5/16 x 1
15	1020049	Tooth, Rotor 9/16 Drilled	100	
16	7002018	Rotor Sub Weldment, Planetary Drive	1	106-inch
17	7002001	Billet, Planetary 3000	1	7-1/2 SCH 120
ref.	1020048	Burn, Billet Grease Cap R3000	1	
18	Ref.	Lubricator	1	
19	Ref.	Nut, Hex	12	9/16-12nc lock
20	1520693	Planetary, RR3500 26:1	1	
21	Ref.	Capscrew, Hex	12	9/16-12nc 12nc x 7
22	1502252	Shaft, PTO #10	1	1-3/4 6T x 1-3/4 6T 3"
23	Ref.	Guard. PTO Intermediate	1	
24	Ref.	Capscrew, Hex	8	m16 x 40
25	Ref.	Washer, Split Lock	8	5/8
26	1502237	PTO Shaft, Tractor to Gearbox	1	
27	1520390	Gearbox, R150	1	
28	1541698	Pump, Hydraulic Tyrone	1	
29	Ref.	Capscrew, Hex	2	m12 x 30

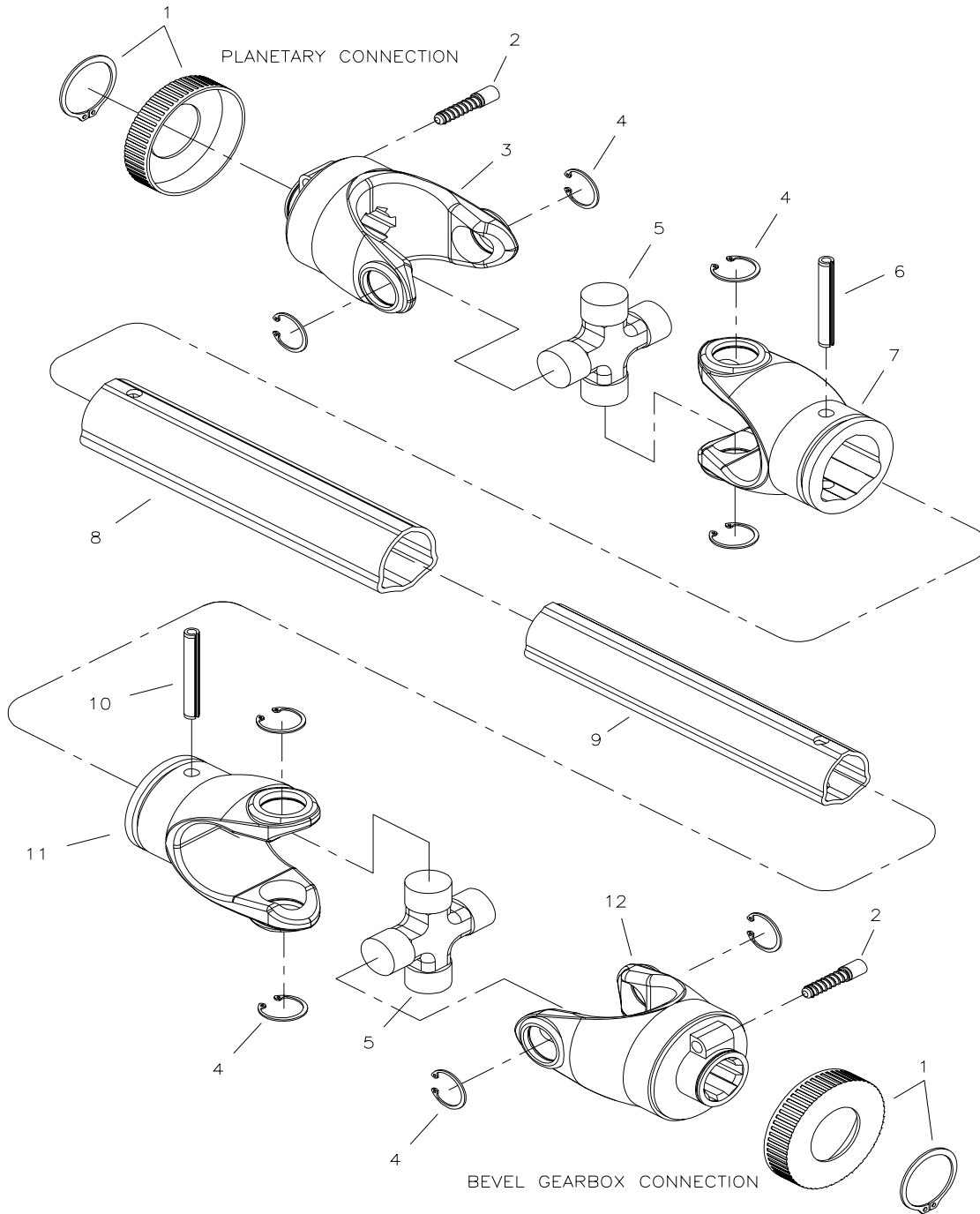


# PARTS MANUAL

## PTO Tractor - Parts List

Item#	Part#	Description	Qty.	Remarks
1	Ref.	Ring, Retaining - Quick Disconnect Collar	1	
2	Ref.	Collar, Quick Disconnect - w/Retaining Ring		1
3	Ref.	Pin, Quick Disconnect - w/Spring	1	
4	Ref.	Yoke, Tractor End - w/Collar & Pin	1	
	Ref.	Ring, Retaining - Bearing	8	
6	1501790	U-Joint	2	
7	Ref.	Pin, Spring - Tractor End	1	
8	Ref.	Yoke, Outer Tube	1	
9	Ref.	Tube, Outer	1	
10	1501722	Bearing, Shield Outer	1	255080005R02
11	Ref.	Shield, Complete	1	
12	Ref.	Shield, Outer Half - w/Bearing	1	
13	Ref.	Shield, Inner Half - w/Bearing	1	
14	1501723	Bearing, Shield Inner	1	255080006R02
15	Ref.	Tube, Inner	1	
16	Ref.	Pin, Spring - Implement End	1	341045000R10
17	Ref.	Yoke, Inner Tube	1	
18	Ref.	Yoke, Implement End	1	
19	Ref.	Pin, Taper Lock	1	
20	Ref.	Pin, Shear - w/pin	1	

***PTO Intermediate***

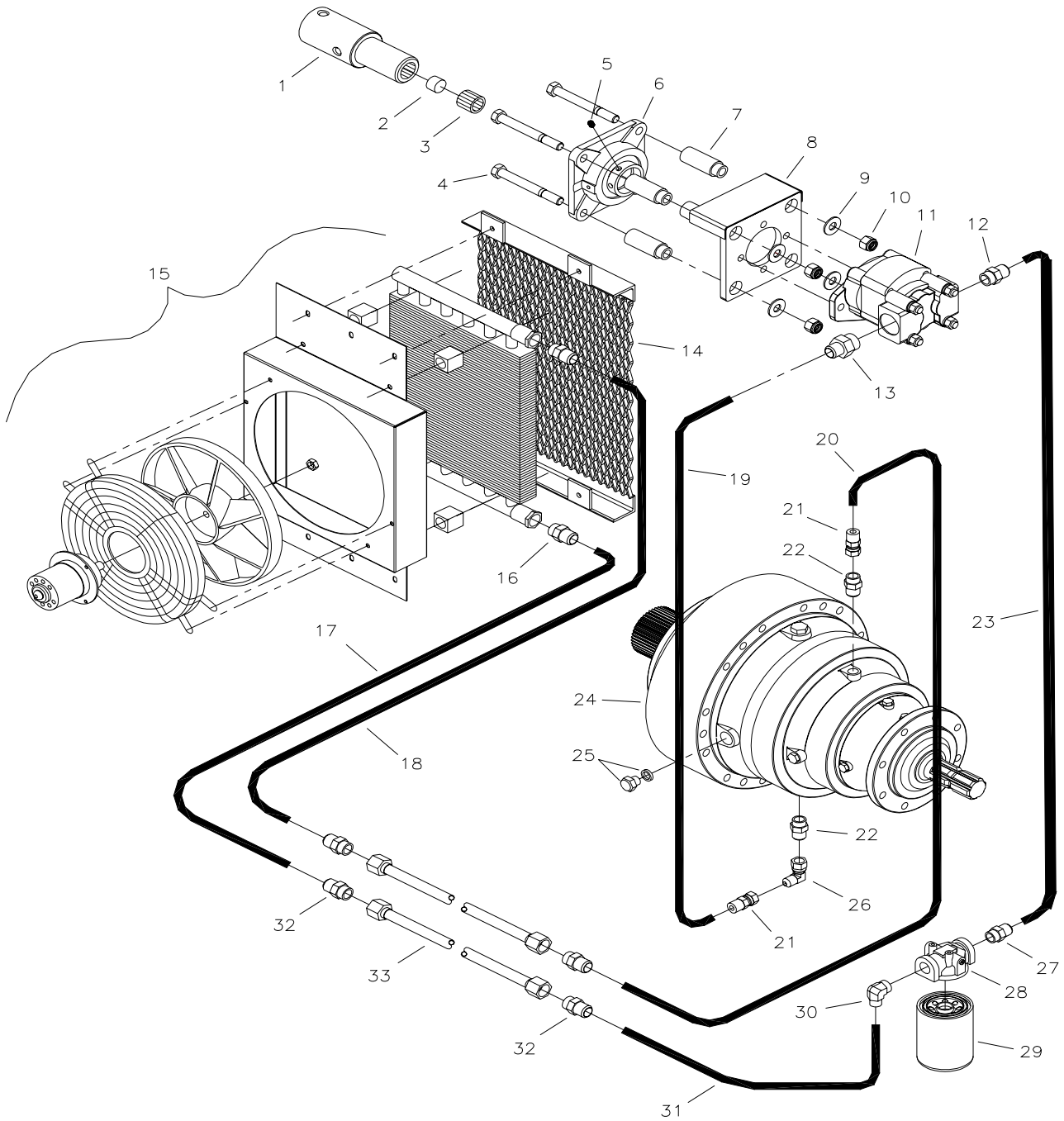


## PARTS MANUAL

### *PTO Intermediate - Parts List*

<b>Item#</b>	<b>Part#</b>	<b>Description</b>	<b>Qty.</b>	<b>Remarks</b>
Ref	1501999	Shaft, PTO - Intermediate	1	
1	Ref.	Kit, Collar	2	240003552
2	Ref.	Pin, Release	2	403000012R10
3	Ref.	Yoke, Outer - Includes Collar	1	572100461
4	Ref.	Ring, Retaining - Bearing	8	338027000
5	1501754	Bearing, U-Joint	2	41210
Ref	Ref.	Grease Fitting (not shown)	2	348004000
6.	Ref.	Pin, Roll	1	341045000R10
7.	Ref.	Yoke, Inner - Includes Roll Pin	1	204106852
8	Ref.	Tube, Outer	1	12514
9	Ref.	Tube, Inner	1	12515
10	Ref.	Pin, Roll	1	341044000R10
11	Ref.	Yoke, Inner - Includes Roll Pin	1	204106851
12	Ref.	Yoke, Outer, Includes Collar	1	572100461

Planetary Cooling System

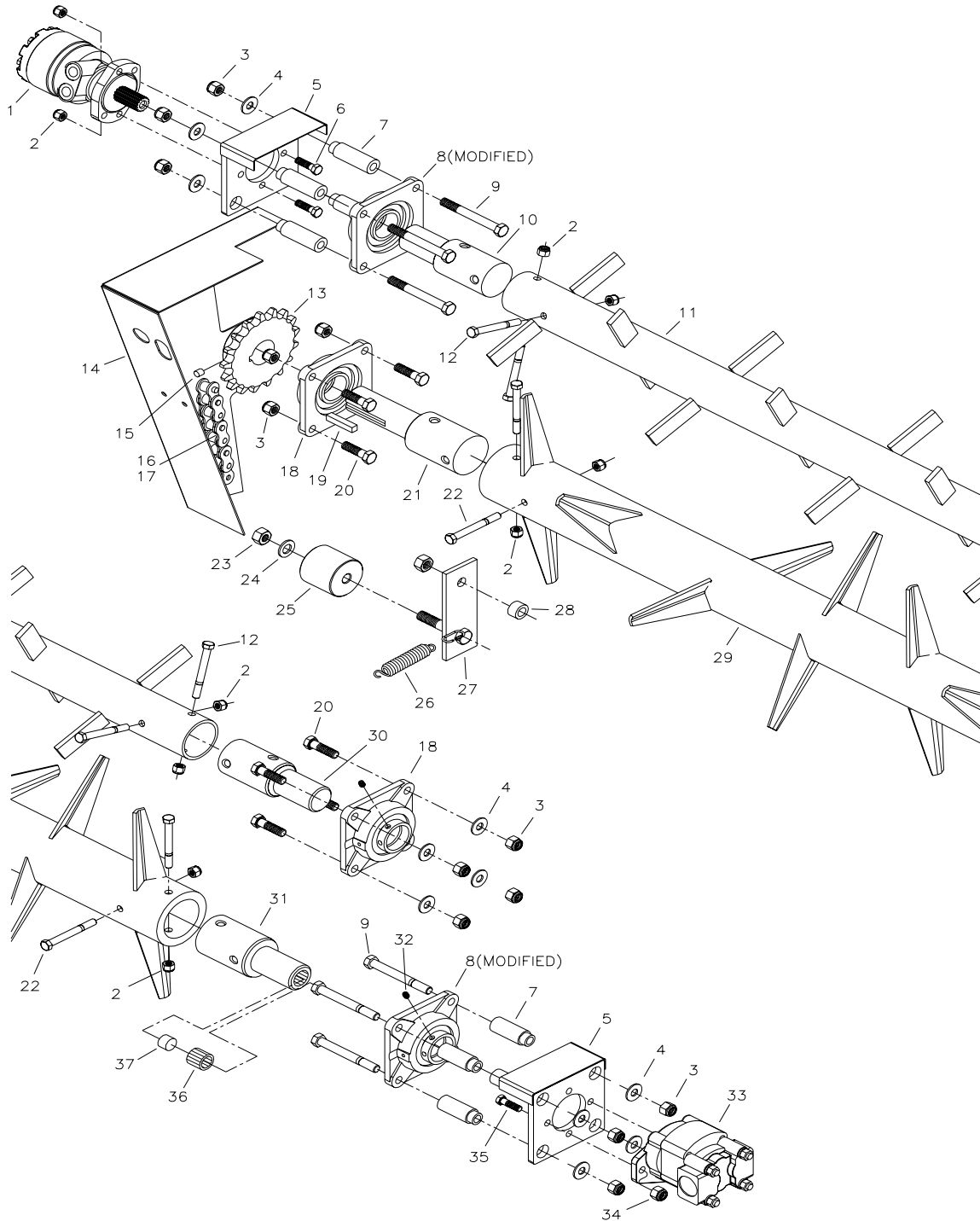


## PARTS MANUAL

### *Planetary Cooling System - Parts List*

Item#	Part#	Description	Qty.	Remarks
1	1020011	Shaft, Beater Bar Stub	1	3 x 8-9/16 Drive
2	1100093	Spacer, Pump Coupling - Beater Driven	1	
3	1520766	Adaptor, Splined 1.25 14T to 7/8 13T	1	
4	ref.	Capscrew, Hex	4	5/8-11nc x 5-1/2
5	ref.	Lubricator	1	
6	1020035	Bearing, 4-Bolt Flange Shaved	1	2-3/16
7	1120058	Spacer, Beater Bar Motor Mount	4	
8	1020009	Mount, Beater Bar Hydraulic Motor	1	
9	ref.	Washer, Flat	4	5/8
10	ref.	Nut, Hex	4	5/8-11nc Lock
11	1541860	Pump, Hydraulic Tyrone 180cc	1	A PAD CW ROT
12	ref.	Coupler, Pump Pressure	1	
13	ref.	Coupler, Pump Suction	1	
14	ref.	Screen Chaff	1	
15	1502039	Cooler, Oil Hayden	1	
16	ref.	Coupler, Oil Cooler	2	
17	ref.	Hose Assembly, Pressure - Oil Cooler	1	
18	ref.	Hose Assembly, Return - Oil Cooler	1	
19	ref.	Hose Assembly, Suction - Pump	1	
20	ref.	Hose Assembly, Pressure - Planetary	1	
21	ref.	Coupler, Planetary Inlet	2	
22	ref.	Reducer, Planetary Ports	2	
23	ref.	Hose Assembly, Pressure - Pump	1	
24	1520693	Planetary, RR3500 26:1	1	
25	1501997	Gauge, Sight	1	3/8
26	ref.	Coupler, Planetary Outlet	1	
27	ref.	Coupler, Filter Inlet	1	
28	1540166	Base, Filter	1	
29	1540167	Filter, Hydraulic	1	
30	ref.	Coupler, Filter Outlet	1	
31	ref.	Hose Assembly, Filter Outlet	1	
32	ref.	Coupler, Hardline	4	
33	ref.	Hardline Assembly	2	

Beater Bar Group



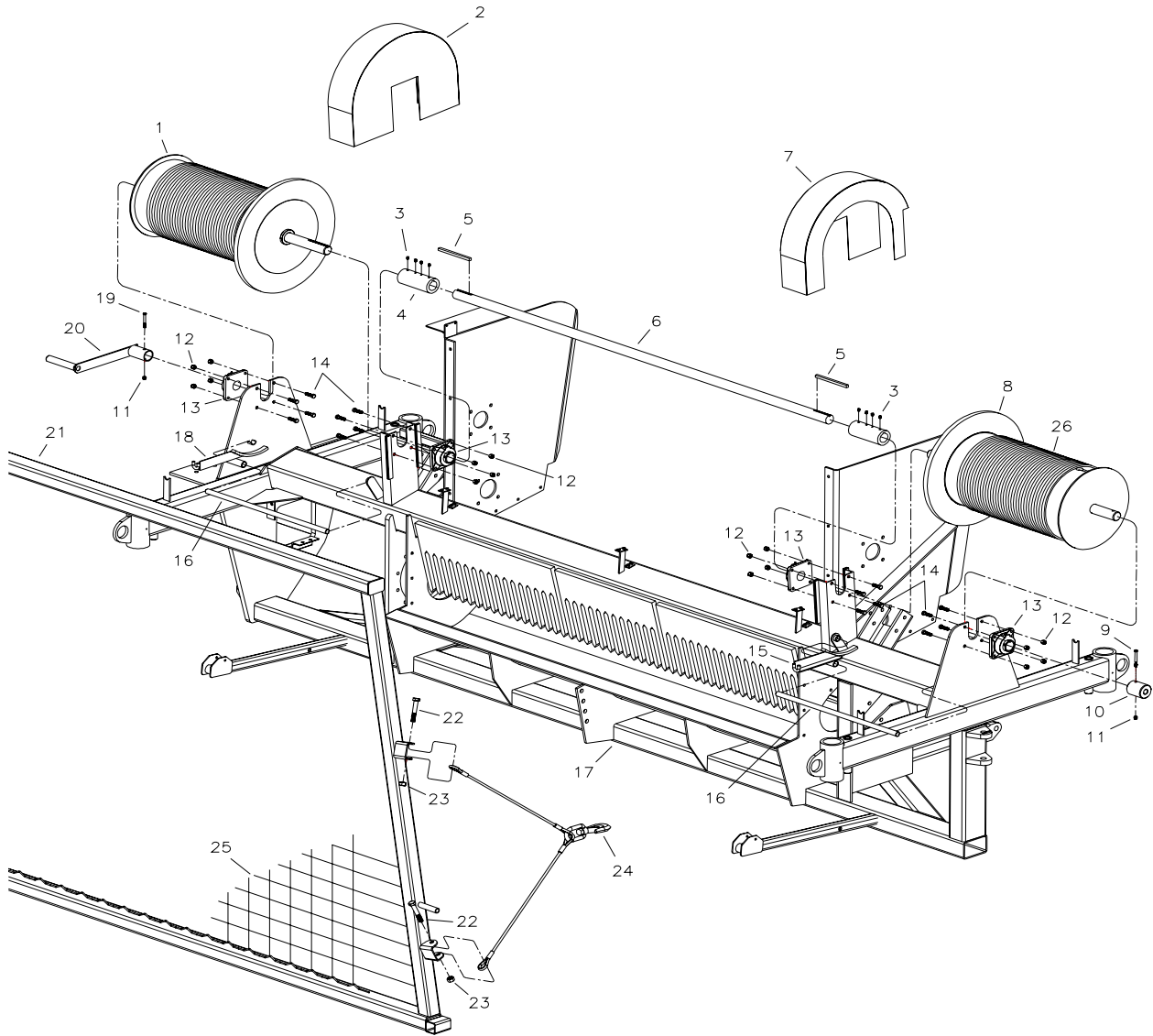


## PARTS MANUAL

### *Beater Bar Group - Parts List*

Item#	Part#	Description	Qty.	Remarks
1	1540935	Motor, Hydraulic White Splined	1	
2	ref.	Nut, Hex	8	1/2-13nc lock
3	ref.	Nut, Hex	16	5/8-11nc lock
4	ref.	Washer, Flat	16	5/8
5	1020009	Mount, Beater Bar Hydraulic Motor	2	
6	ref.	Capscrew, Hex	2	1/2-13nc x 1-3/4
7	1120058	Spacer, Beater Bar Motor Mount	8	
8	1020035	Bearing, 4-Bolt Flange Shaved	2	2-3/16
9	ref.	Capscrew, Hex	8	5/8-11nc x 5-1/2
10	1020011	Shaft, Beater Bar Stub Drive	1	3 x 8-9/16
11	7002000	Beater, Upper	1	99-1/2
12	ref.	Capscrew, Hex	4	1/2-13nc x 4-1/2
13	1520672	Sprocket, 100B17	1	2-3/16 Bore 1/2-KW
14	1020057	Guard, Beater Bar Chain Rotor Driven	1	
15	ref.	Screw, Set	1	1/2 x 5/8
16	1520341	Chain, Roller 100H Super Rivet	1	
17	1520342	Link, Conn 100H	1	
18	1510037	Bearing, 4-Bolt Flange F4B-SC-203	1	2-3/16
19	1120074	Key	1	1/2 x 1/2 x 3 long
20	ref.	Capscrew, Hex	8	5/8-11nc x 2-1/2
21	6502001	Shaft, Beater Stub Drive	1	3 x 10-1/8
22	ref.	Capscrew, Hex	4	1/2-13nc x 4-1/2
23	ref.	Nut, Hex	1	3/4-10nc lock
24	ref.	Washer, Flat	1	3/4
25	1020064	Tensioner, Beater Chain UHMW	1	3-1/4 X 3
26	ref.	Spring	1	
27	1020075	Bracket Weldment, Tensioner Spring	1	
28	1020072	Spacer, Beater Chain Tensioner	1	
29	7002000	Shaft, Beater Bar	1	99-1/2
30	1020012	Shaft, Beater Bar Stub Idle	1	3 x 8-9/16
31	1020011	Shaft, Beater Bar Stub	1	3 x 8-9/16
32	ref.	Lubricator	1	
33	1541860	Pump, Hydraulic Tyrone 180CC	1	A PAD CW ROT
34	ref.	Nut, Hex	2	7/16-14nc lock
35	ref.	Capscrew, Hex	4	7/16-14nc x 1-1/2
36	1520766	Adaptor, Splined 1.25 14T to 7/8 13T	1	
37	1100093	Spacer, Pump Coupling - Beater Driven	1	

Cable Drum & Backstop

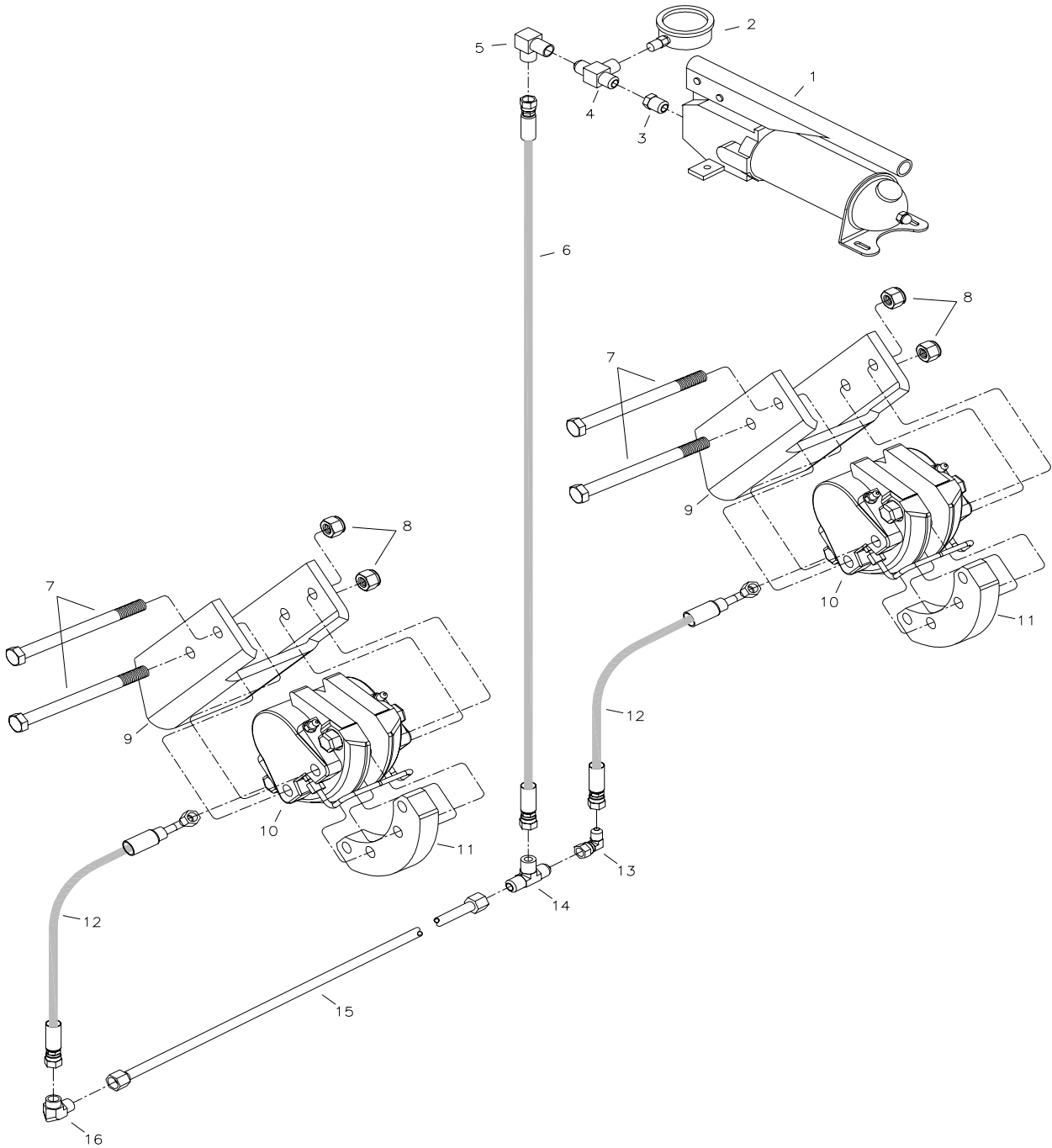


## PARTS MANUAL

### *Cable Drum & Backstop - Parts List*

Item#	Part#	Description	Qty.	Remarks
1	1030064	Cable Drum, Inboard Brake	1	250-Foot Right
2	6703000	Guard, Cable Drum Brake	1	
3	1550335	Screw, Set	8	3/8 x 1/2
4	1030015	Coupler, Cable Drum Shaft	2	2 x 3-1/4 x 7-1/2
5	1030024	Key	2	1/2 x 1/2 x 8
6	1030065	Shaft, Cable Drum Intermediate	1	2 x 96
7	7003010	Guard, Cable Drum Brake	1	W/ Beater Access
8	1030064	Cable Drum, Inboard Brake	1	250-Foot Left
9	Ref.	Cap Screw, Hex Head	1	3/8-16nc x 3-1/2 G5
10	1030014	Coupling, Cable rewind	1	
11	Ref.	Nut, Hex	1	3/8-16nc lock
12	Ref.	Nut, Hex	16	1/2-13 nc lock
13	1510044	Bearing, 4-Bolt Flange	4	F48-SCM-200
14	Ref.	Cap Screw, Hex Head	16	1/2-13 x 1-1/2
15	7003005	Shoe, Cable Rewind	1	Left
16	1030033	Rod, Cable Rewind	2	1 x 31-1/2
17	Ref.	Frame Weldment	1	
18	7003006	Shoe, Cable Rewind	1	Right
19	Ref.	Cap Screw, Hex Head	1	3/8-17nc x 3 G5
20	1030017	Crank, Cable Rewind	1	
21	1090008	Backstop Frame, Steel	1	154B x 124T x 98H
	1090031	Backstop Frame, Aluminum		
22	Ref.	Cap Screw, Hex Head	4	3/4-10nc x 4-1/2 G5
23	1550128	Nut, Hex	1	3/4-10nc Lock
24	1500412	Sling, Backstop Cable	2	7/16 x 35
25	1560006	Rope, Backstop	1	3/8 x 400
26	1590006	Cable	1	7/16 x 240
ref	7009000	Bracket, Backstop Shipping	1	

Brake & Cable Drum

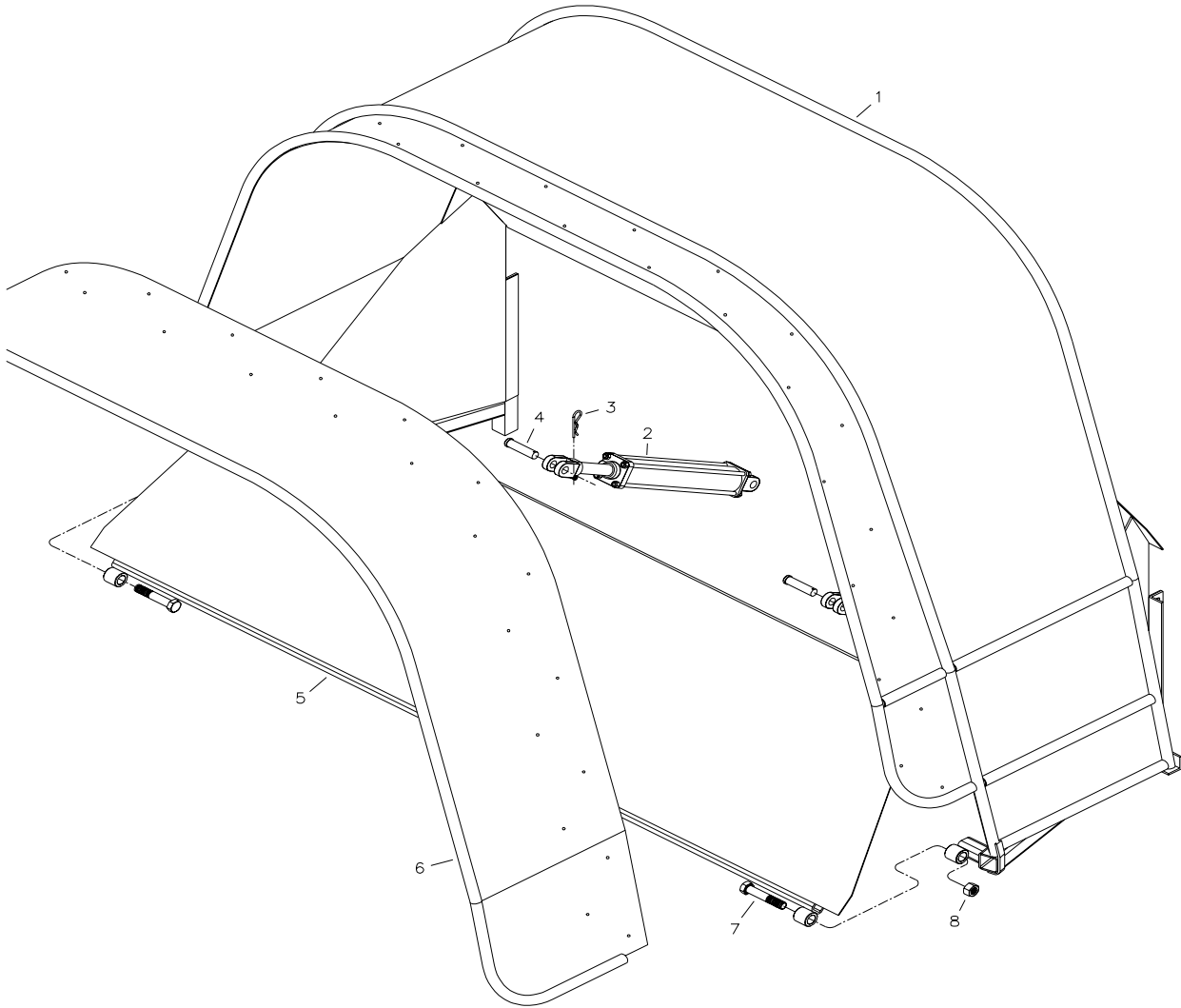


## PARTS MANUAL

### *Brake & Cable Drum - Parts List*

Item#	Part#	Description	Qty.	Remarks
1	1541427	Pump, Hand P23 Preset	1	
2	1500142	Gauge, Liquid Sill 2000 PSI	1	side mount
3	Ref.	Fitting Bushing	1	
4	1540482	Fitting, Hydraulic	1	C3759 x6
5	Ref.	Fitting, 90 Degree	1	male elbow
6	Ref.	Hose Assembly	1	1/4 x 20
7	Ref.	Capscrew, Hex Head	2	5/8-11NC x 7-1/2
8	Ref.	Nut, Hex	2	5/8-11NC Lock
9	6003001	Mount, Cable Drum Floating	2	brake formed
10	1501348	Brake, Mico	2	
11	1501347	Spacer, Brake Caliper	2	Mico
12	Ref.	Hose Assembly	2	1/4 x 34
13	1540683	Fitting, Hydraulic	1	C5506 x4
14	1540719	Fitting, Hydraulic	1	C5705 x4
15	Ref.	Hardline Assembly	1	
16	1540677	Fitting, Hydraulic	1	C5505 x4

*Tunnel, Extension & Clean Out*

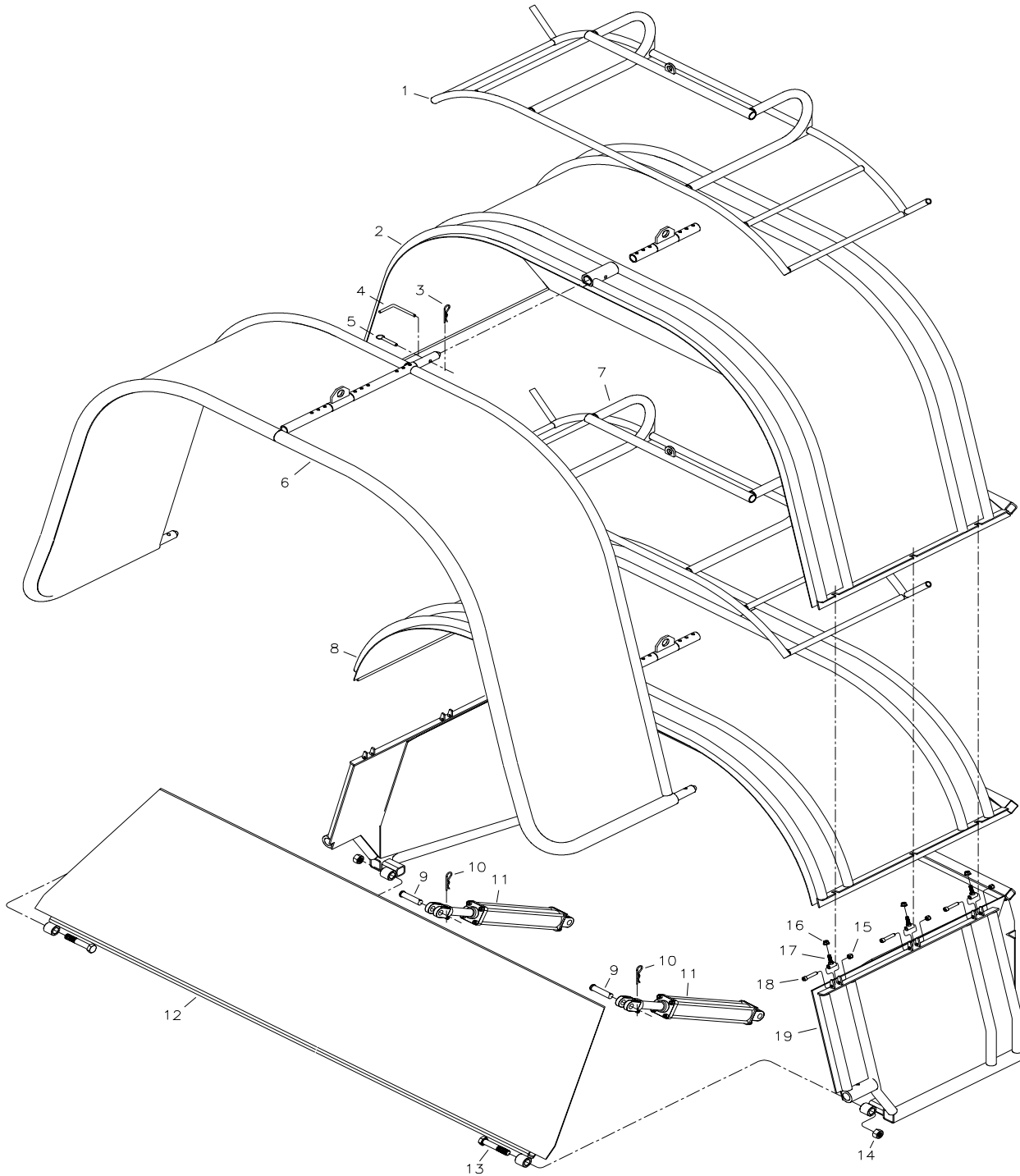


## PARTS MANUAL

### *Tunnel, Extension & Clean Out - Parts List*

Item#	Part#	Description	Qty.	Remarks
1	7006009	Tunnel, 10 Foot	1	
	7006010	Tunnel, 9 Foot	1	
2	1540097	Cylinder, Hydraulic	2	DB2510
3	Ref.	Pin, Hair Cotter	4	
4	Ref.	Pin, Clevis	4	
5	Ref.	Floor, Tunnel Clean Out	1	
ref	7006004	Floor, Tunnel Frame	ref	10-foot TCO
ref	7006006	Floor, Sheet	ref	9 & 10 foot TCO
ref	1060050	Hinge Tube, TCO Frame	ref	
ref	7006001	Floor, Tunnel Frame 10-foot	ref	fixed
ref	7006003	Floor, Tunnel Frame 9-foot	ref	fixed
ref	7006002	Floor, Sheet 9' & 10'	ref	fixed
6	1060018	Extension, Tunnel	1	30 bolt
	Ref.	Bolt Kit, Tunnel Extesnion	1	
7	1060051	Cap Screw, Hex	2	1-8nc x 5-1/2 G5
8	1550300	Nut, Hex HD	2	1-8nc Nylock

Convertible Tunnel, Extension & Clean Out



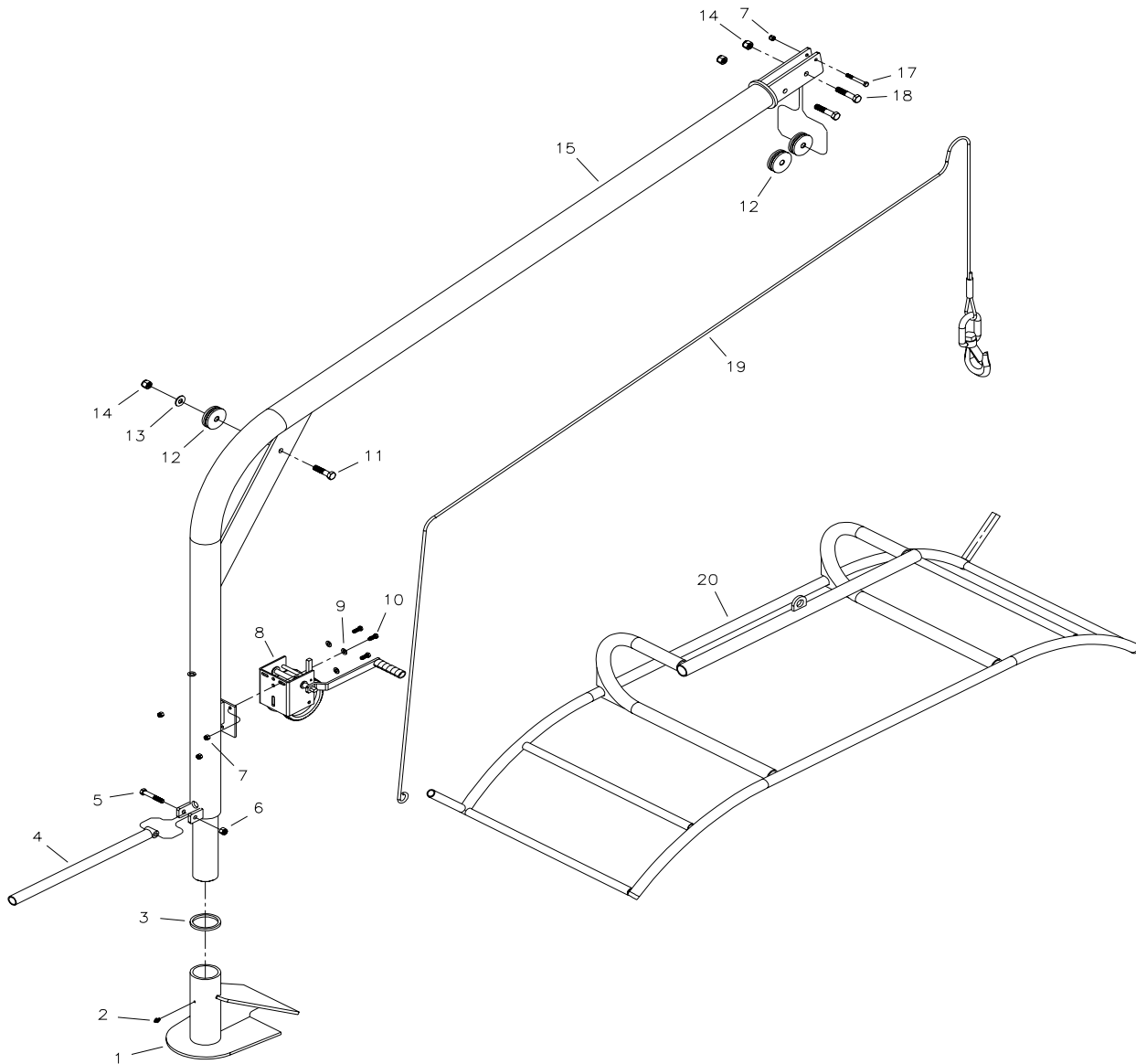


## PARTS MANUAL

### *Convertible Tunnel, Extension & Clean Out - Parts List*

Item#	Part#	Description	Qty.	Remarks
1	Ref.	Cradle, Bag	1	10"
2	7006037	Tunnel Top	1	10'
3	Ref.	Pin, Hair	1	
4	Ref.	Pin, Transport Lock	1	
5	1550301	Pin, Self Locking	3	1/2 x 2-1/2
6	7006039	Extension, tunnel	1	10'
7	Ref.	Cradle, Bag	1	9'
8	7006036	Tunnel Top	1	9'
9	Ref.	Pin, Clevis	4	
10	Ref.	Pin, Hair	4	
11	1540097	Cylinder, Tie Rod	2	2-1/2 x 10
12	Ref.	Floor, Tunnel Cleanout	1	
13	1060051	Capscrew, Hex	2	1-8NC x 5-1/2
14	1550300	Nut, Hex Lock	2	1-8NC
15	1550126	Nut, Hex Lock	6	1/2-13NC
16	Ref.	Nut, Hex Flat Mount	6	1/2-13NC
17	Ref.	Lock, tunnel Top	6	
18	Ref.	Capscrew, Socket	6	1/2-13NC x 3
19	7006035	Tunnel Base	1	

Bag Boom & Cradle

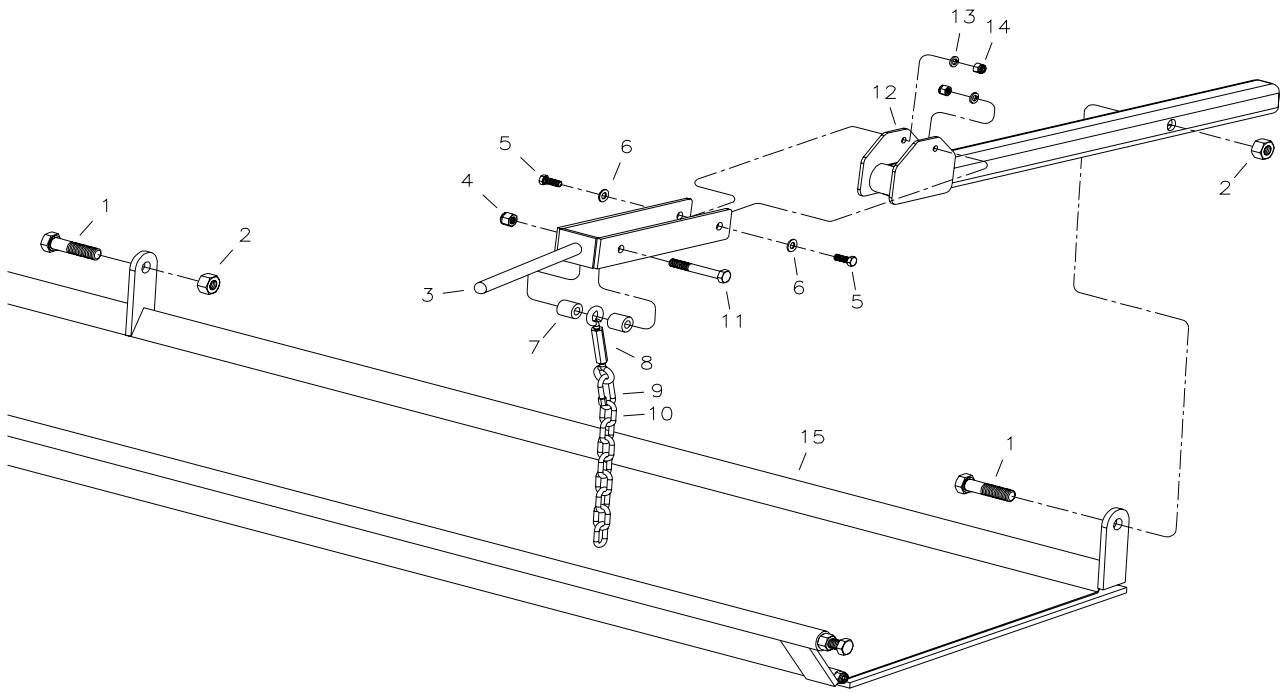


## PARTS MANUAL

### *Bag Boom & Cradle - Parts List*

Item#	Part#	Description	Qty.	Remarks
1	7006008	Socket, Bag Boom	1	
2	Ref.	Fitting, Grease Zerk	1	1/4-28nf
3	1060039	Spacer, Bag Boom Bronze	1	2-15/16 id
4	1060085	Turn Bar	1	
5	Ref.	Cap Screw, Hex Head	1	1/2-13nc x 3
6	Ref.	Nut, Hex	1	1/2-13nc
7	1550147	Nut, Hex	4	3/8-16nc lock
8	1500602	Winch, Manual	1	DL1802
9	1550206	Washer, Flat	3	3/8
10	1550057	Cap Screw, Hex Head	3	3/8-16nc x 1
11	Ref.	Cap Screw, Hex Head	1	5/8-11nc x 2-1/2
12	1501737	Sheave, Steel	3	3
13	1550209	Washer, Flat	1	5/8
14	1550148	Nut, Hex	3	5/8-11nc lock
15	7006000	Bag Boom Frame	1	
16				
17	1550062	Cap Screw, Hex Head	1	3/8-16nc x 3
18	Ref.	Cap Screw, Hex Head	2	5/8-11nc x 3
19	1501691	Cable With Hook	1	1/4 x 30
20	1060007	Cradle, Bag - Standard	1	10'
	Ref.	Cradle, Bag - Convertible Tunnel	1	9'
	Ref.	Cradle, Bag - Convertible Tunnel	1	10'

Bag Pan System

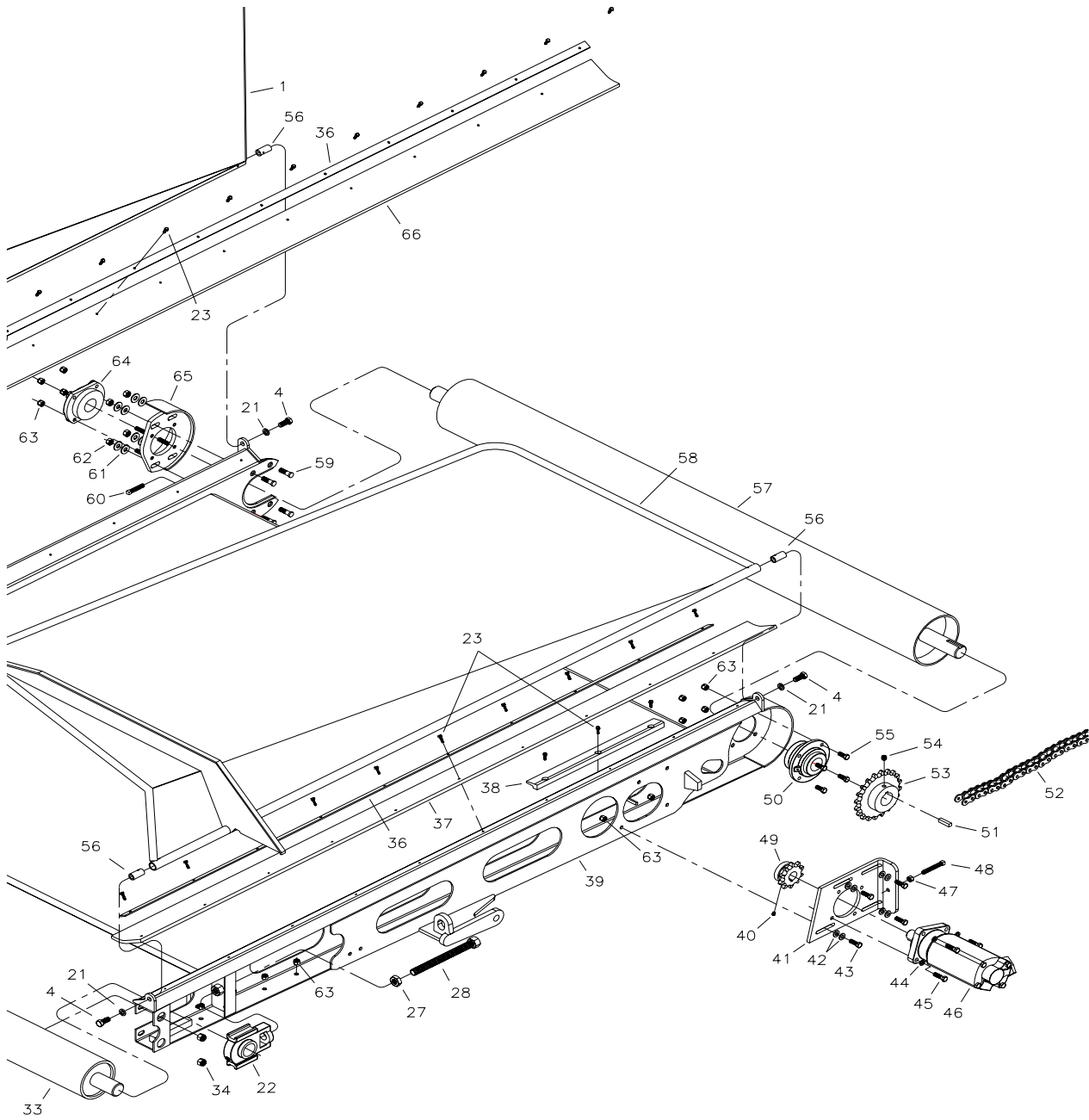


## PARTS MANUAL

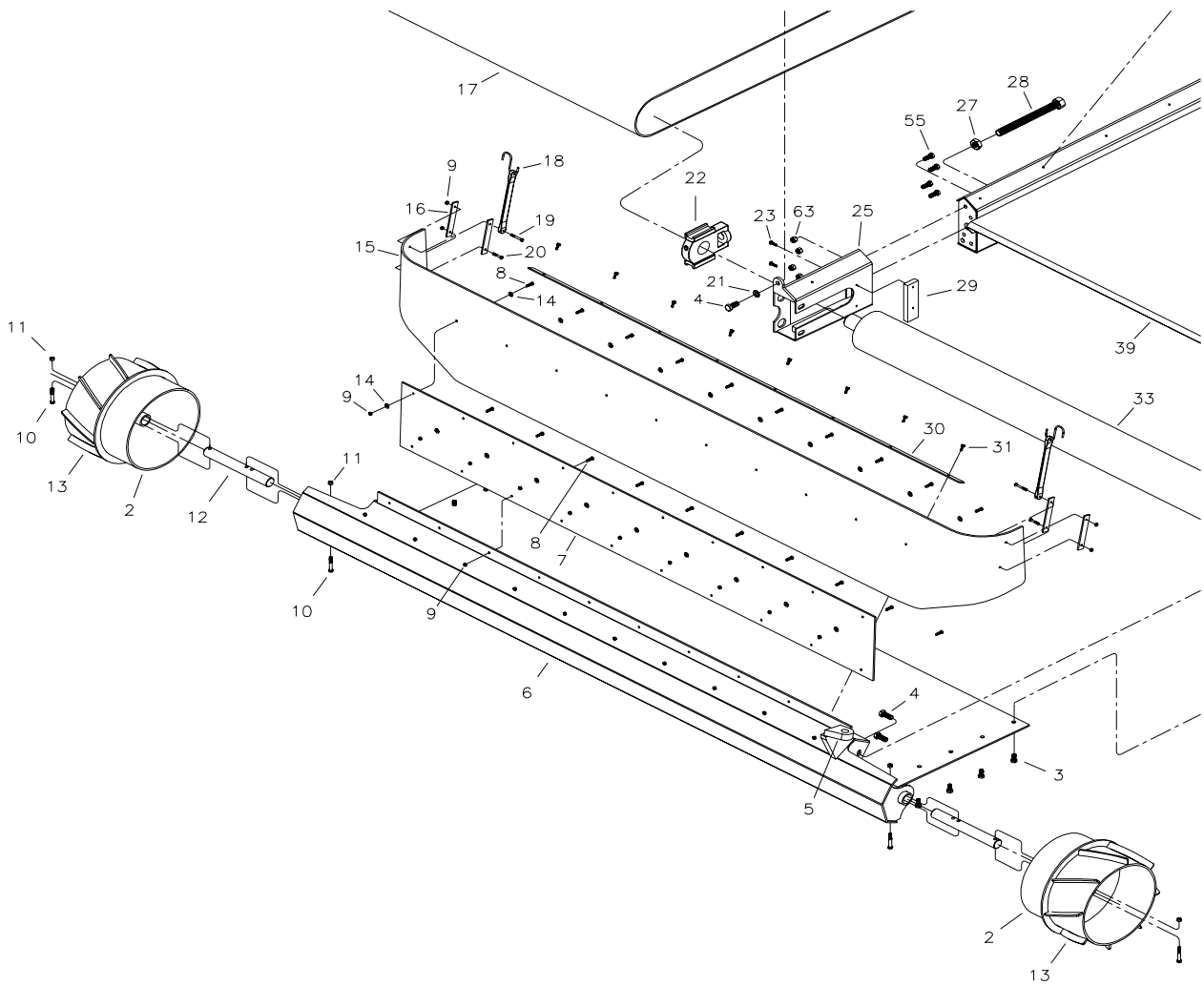
### *Bag Pan System - Parts List*

Item#	Part#	Description	Qty.	Remarks
1	Ref.	Capscrew, Hex	3	3/4-10nc x 3
2	Ref.	Nut, Hex	3	3/4-10nc lock
3	Ref.	Lever, Crank, Bag Pan Lift	2	
4	Ref.	Nut, Hex	2	1/2-13nc lock
5	Ref.	Capscrew, Hex	4	3/8-16nc x 1
6	Ref.	Washer, Flat	4	3/8
7	Ref.	Spacer, Bag Pan Crank	4	
8	1500577	Turnbuckle, Eye to Eye	2	5/16 x 4-1/2
9	1501509	Link, Quick	1	1/4
10	1520702	Chain	2	7-links
11	Ref.	Capscrew, Hex	2	1/2-13nc x 3-1/2
12	1060029	Lever, Bag Pan Lift	2	
13	Ref.	Washer, Split Lock	4	
14	Ref.	Nut, Hex	4	3/8nc lock
15	7006007	Bag Pan	1	

Feed Table - Drive End



Feed Table - Idle End



## PARTS MANUAL

### *Feet Table Drive and Idle End - Part List*

Item#	Part#	Description	Qty.	Remarks
1	1080066	Wing, Feed Table Standard	1	Left
ref	1080204	Wing, Feed Table Extended	1	Left
2	1080162	Wheel, Feed Table 14	2	without cleats
3	Ref.	Cap Screw, Hex Head	8	1/2-13 x 1
4	Ref.	Cap Screw, Hex Head	8	5/8-11nc x 1-1/2 G5
5	1080031	Mount, Feed Table Side Hitch	1	
6	1120518	Bumper, Feed Table	1	
7	1120282	UHMW, Black	1	1/4 x 12 x 90
8	Ref.	Cap Screw, Hex Head	18	1/4-20nc x 1
9	Ref.	Nut, Hex	18	1/4-20nc lock
10	Ref.	Cap Screw, Hex Head	4	3/8-16nc x 2-1/2
11	Ref.	Nut, Hex	4	3/8-16nc
12	1010006	Axle, Feed Table Wheel	2	
13	1080207	Cleat Assembly, Feed Table Wheel	2	
14	Ref.	Washer, Flat	16	1/4 wide
15	Ref.	Skirting, Front	1	8' feed table
16	1080004	Bracket, Skirting Small	2	
17	1500027	Belt, Continuous	1	
18	1120007	Bungee	2	10' rubber
19	Ref.	Cap Screw, Hex Head	2	1/4-20nc x 2
20	Ref.	Cap Screw, Hex Head	2	1/4-20nc x 1-1/2
21	Ref.	Washer	4	5/8 split lock
22	1510251	Bearing, Take-up	2	2-3/16
23	Ref.	Screw, Hex Head	8	1/4 x 3/4 self tapping
25	1080180	Section, Feed Table Frame	1	
27	Ref.	Nut, Hex	2	1-8nc jam
28	1080000	Adjuster, Feed Table Roller	2	
29	1080023	Guide, Feed Table Belt	1	
30	1080055	Strip, Feed Table Skirting Front	1	
31	Ref.	Screw, Hex Head	20	1/4 x 3/4 self tapping
33	1080156	Roller, Feed Table Idle	1	
34	Ref.	Nut, Hex	4	5/8-11nc lock
36	1080054	Strip, Feed Table Skirting Side	2	
37	Ref.	Skirting, Side	1	right
38	1080024	Guide, Feed Table Belt	2	
39	1080021	Frame, Feed Table	1	8-foot
40	1550335	Screw, Set	1	3/8 x 1/2
41	1080032	Mount, Feed Table Hydraulic Motor	1	

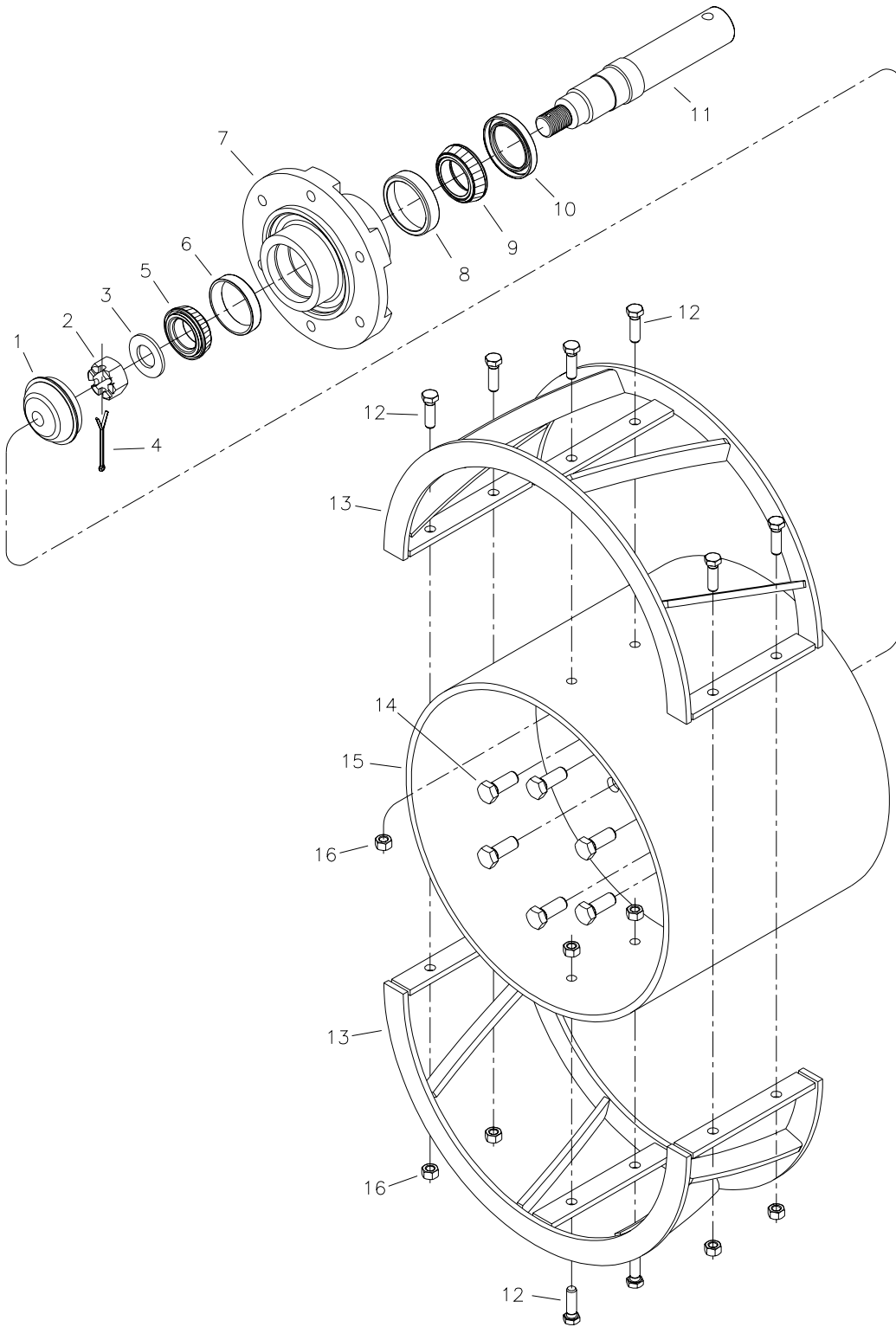


## PARTS MANUAL

### *Feet Table Drive and Idle End - Part List*

Item#	Part#	Description	Qty.	Remarks
42	Ref.	Washer	8	1/2 flat
43	Ref.	Cap Screw, Hex Head	4	1/2-13 x 1-1/2
44	Ref.	Washer	4	1/2 split lock
45	Ref.	Cap Screw, soc hd	4	1/2-13nc x 1-3/4
46	1540916	Motor, Hydraulic	1	
47	Ref.	Nut, Hex	1	3/4-10nc
48	1550404	Cap Screw	1	3/4-10nc x 3-1/2 square
49	1520340	Sprocket	1	
50	1510031	Bearing	1	
51	1080082	Key	1	1/2 sq x 2
52	1520341	Chain, Roller	5.5	feet
	1520342	Link, Roller Chain	1	100h connecting
	1520084	Link, Roller Chain	1	100 offset
53	1520104	Sprocket	1	
54	Ref.	Set Screw	1	5/8 x 5/8
55	Ref.	Cap Screw, Hex Head	8	1/2-13nc x 1-1/4 G5
56	1080050	Bushing, Feed Table Wing	4	
57	1080155	Roller, Feed Table Drive	1	
58	1080116	Wing, Feed Table Standard	1	right
	1080203	Wing, Feed Table Extended	1	right
59	Ref.	Stud	4	9/16-12nc x 1-3/4
60	Ref.	Cap Screw	1	1/2-13nc x 2-1/2 square
61	Ref.	Washer	8	5/8 flat
63	Ref.	Nut, Hex	24	1/2-13nc lock
64	1080182	Bearing, Type E	1	
65	1080064	Mount, Feed Table Bearing	1	
66	Ref.	Skirting, Feed Table	1	left
67	1120519	Section, Feed Table Frame	1	right
ref	1501760	Serial Number Plate	1	
ref	1500598	Whip, Grease	2	13/16 x 52
ref	1500940	Whip, Grease	2	13/16 x 77
ref	1080051	Spacer, Feed Table	2	2-1/4 bronze
ref	1080029	Latch, Feed Table Wing	1	left
ref	1080097	Latch, Feed Table Wing	1	right
ref	1120045	Pin Assembly, Feed Table	2	lock
ref	1080048	Shaft, Feed Table Mounting	2	
ref	1540102	Cylinder, Hydraulic	2	
ref	1080013	Feed Table Complete	1	8-foot

*Feed Table Wheel*

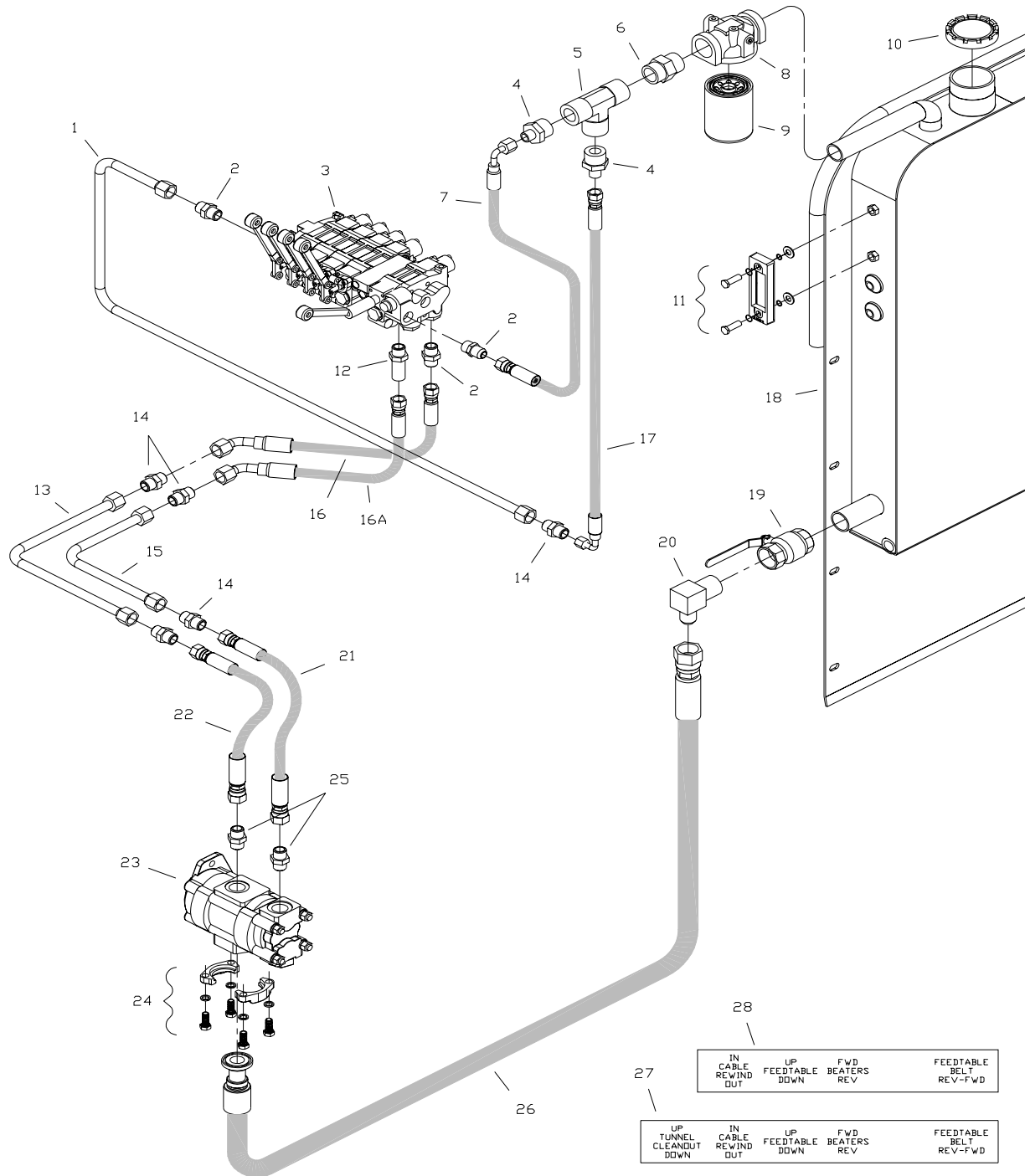


## PARTS MANUAL

### *Feed Table Wheel - Parts List*

Item#	Part#	Description	Qty.	Remarks
1	1500070	Cap, Dust	1	
2	ref.	Nut	1	
3	1550211	Washer, Flat	1	
4	ref.	Hair Pin	1	
5	1510113	Bearing, Roller Cone	1	
6	1510093	Bearing, Roller Cup	1	
7	1501875	Hub, Wheel W888 Tapped Holes	1	Includes items 6 and 8
8	1510073	Bearing, Roller Cup	1	
9	1510183	Bearing, Roller Cone	1	
10	ref.	Grease Seal	1	
11	1080210	Axle, Feed Table Wheel	1	
12	1550059	Cap Screw, Hex	8	
13	1080207	Cleat Assembly, Feed Table Wheel	1	
14	1550257	Bolt, Hub	6	
15	1080208	Wheel, Feed Table	1	
16	1550129	Nut, Hex	8	
ref.	1080169	Feed Table Wheel Complete		
ref.	1010087	Kit, Hub Repair W888		Includes 1,2,3,4,5,9,10

## Hydraulics - Primary System

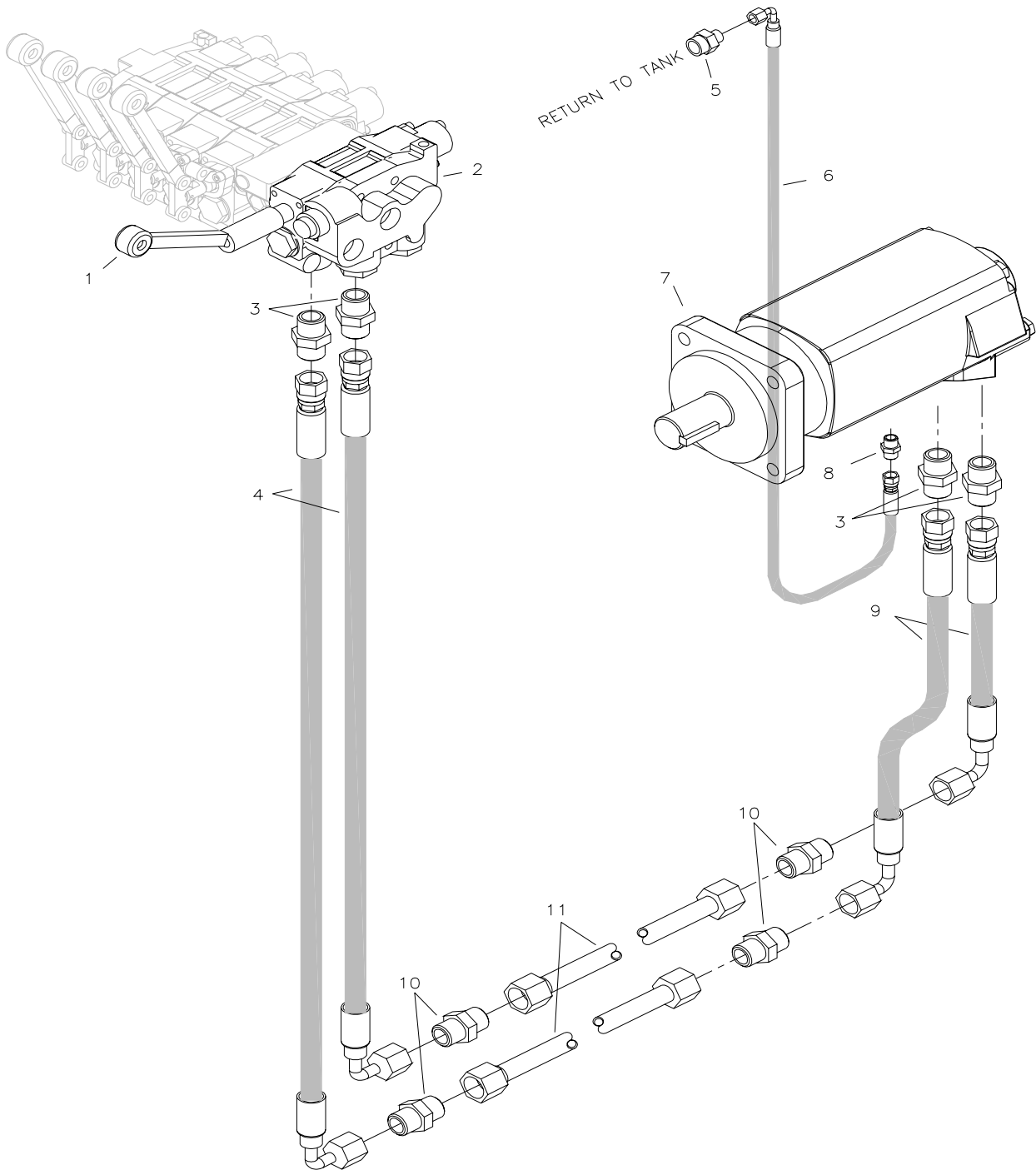


# PARTS MANUAL

## *Hydraulics - Primary System - Parts List*

Item#	Part#	Description	Qty.	Remarks
1	Ref.	Hardline Assembly, Return	1	
2	1540553	Fitting, Hydraulic	3	C5315 x12
3	1541080	Valve, Hydraulic	1	5-bank
	1541698	Valve, Hydraulic	1	4-bank
4	1541909	Fitting, Hydraulic	2	C5205 x12 x20
5	1540470	Fitting, Hydraulic	1	C3709 x12
6	1540377	Fitting, Hydraulic	1	C3069 x20
7	Ref.	Hose Assembly FC639-12-1AA-12FJ-12FJ-53HL	1	
8	1540157	Base, Filter	1	
9	1540181	Filter	1	
10	1500058	Cap, Hydraulic	1	
11	1500158	Gauge, Sight	1	
12	1540577	Fitting, Hydraulic	1	C5316 x12
13	Ref.	Hardline Assembly, Pressure	1	feed table
14	1540537	Fitting, Hydraulic	3	C5305 x12
15	Ref.	Hardline Assembly, Pressure	1	mid inlet
16	Ref.	Hose Assembly FC639-12-1AA-12FJA-12FJ-43HL	1	
17	Ref.	Hose Assembly FC639-12-1AA-12FJ-12FJB-33HL	1	
18	7005002	Tank, Hydraulic	1	
19	1541824	Valve, Ball	1	
20	1541599	Fitting, Hydraulic	1	2501-20-24
21	Ref.	Hose Assembly FC639-12-1AA-12FJB-12FJ-27HL	1	
22	Ref.	Hose Assembly FC639-12-1AA-12FJB-12FJ-26HL	1	
23	1541698	Pump, Hydraulic	1	
24	1540805	Flange, Split	1	SKF-24
25	1540555	Fitting, Hydraulic	2	C5315 x12 x16
26	Ref.	Hose Assembly FC619-20-1B-20FJ-24FL-120HL	1	
27	7001027	Decal	1	5-bank
28	7001028	Decal	1	4-bank

Hydraulics - Feed Table Belt

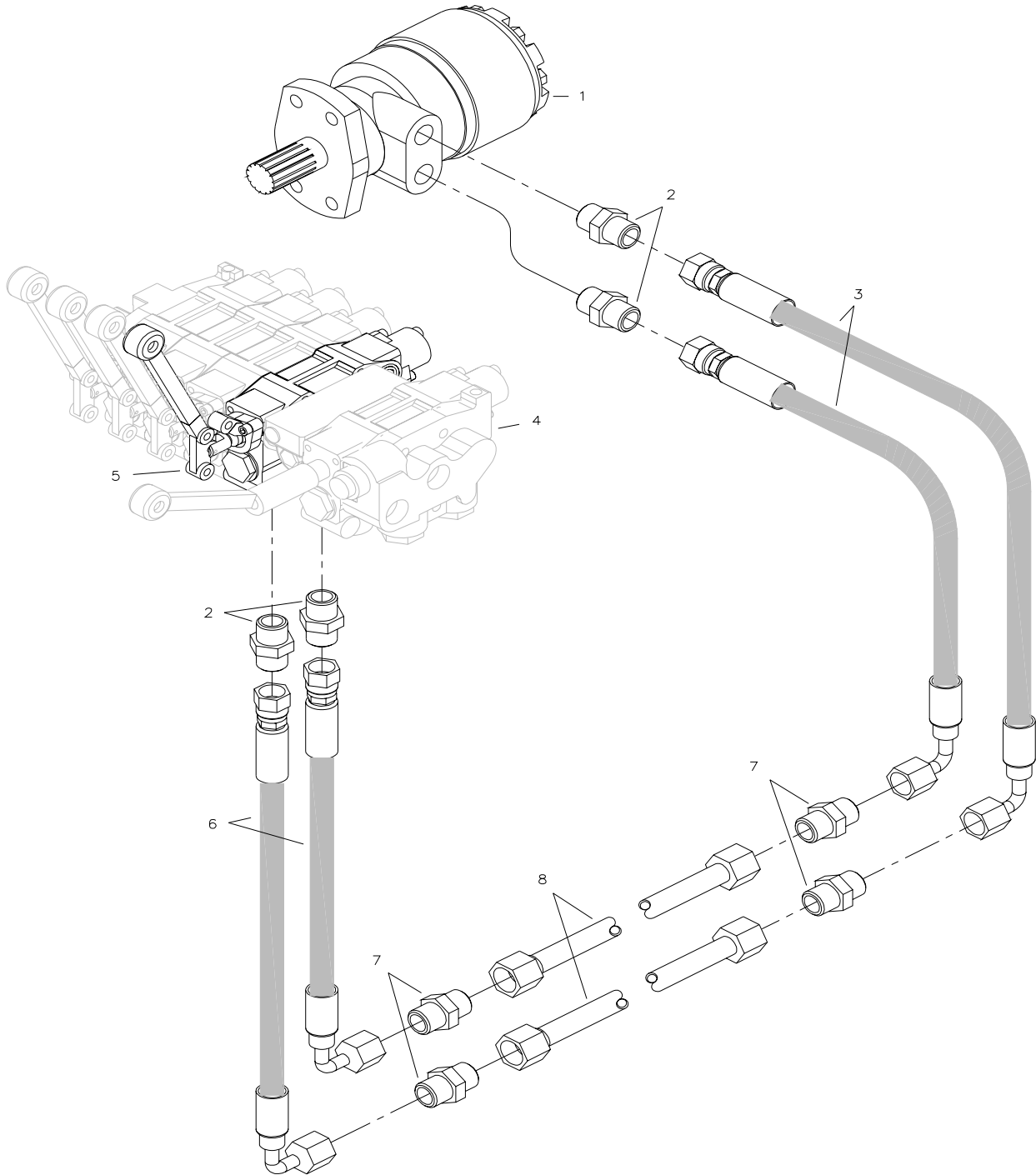


# PARTS MANUAL

## Hydraulics - Feed Table Belt - Parts List

Item#	Part#	Description	Qty.	Remarks
1	Ref.	Handle, Valve - Rotary Spool	1	
2	1541080	Valve, Hydraulic	1	5-bank
Ref	1541698	Pump, Hydraulic	ref	
3	1540554	Fitting, Hydraulic	4	C5315 x12 x10
4	Ref.	Hose Assembly FC639-12-1AA-12FJ-12FJB-72HL	2	
5	1540509	Fitting, Hydraulic	1	C5205 x4 x8
6	Ref.	Hose Assembly	1	
7	1540916	Motor, Hydraulic	1	
8	1540566	Fitting, Hydraulic	1	C5315 x4
9	Ref.	Hose Assembly FC639-12-1AA-12FJ-12FJB-44HL	2	
10	1540537	Fitting, Hydraulic	4	C5305 x12
11	Ref.	Hardline Assembly	2	

Hydraulics - Upper Beater Bar



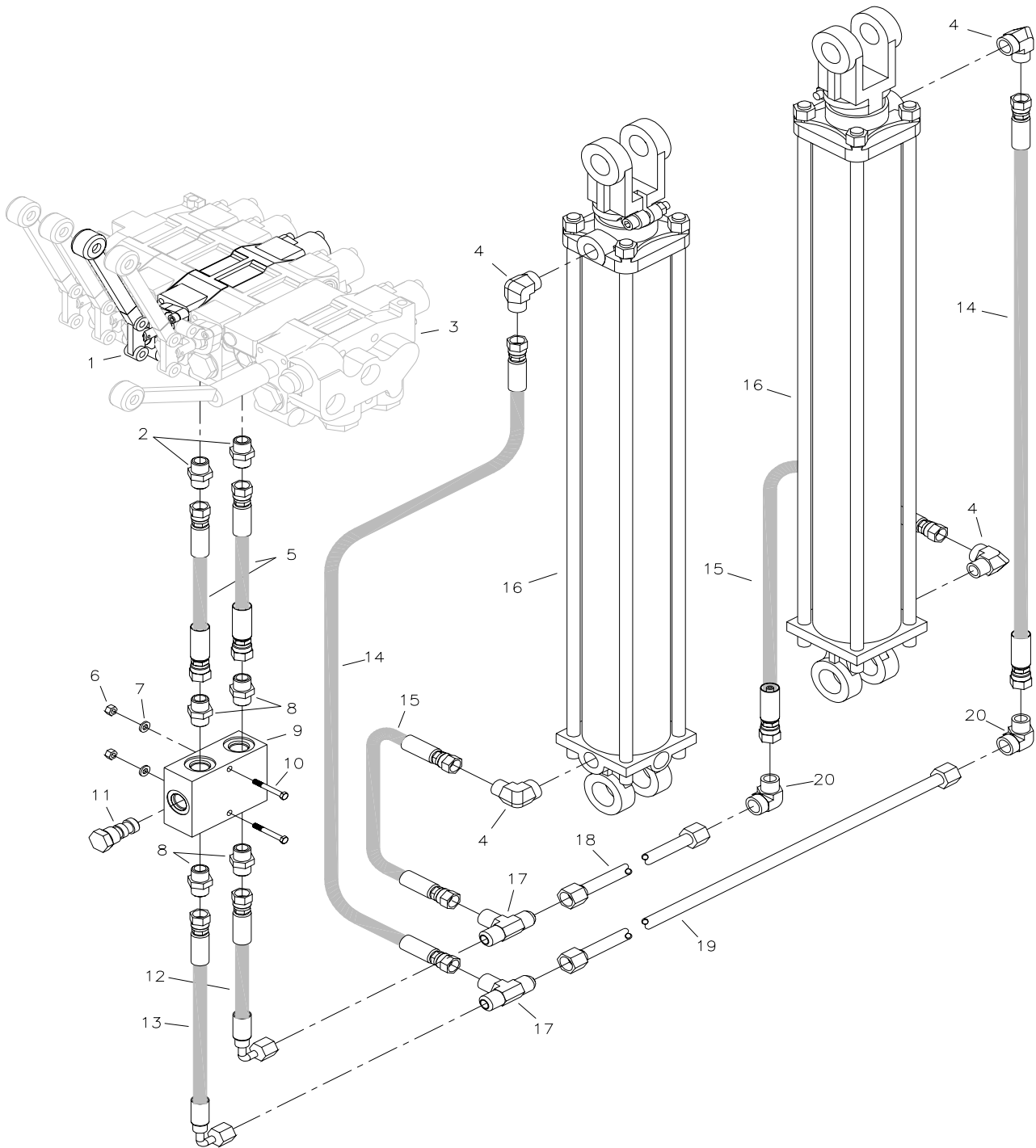


## PARTS MANUAL

### *Hydraulics - Upper Beater Bar - Parts List*

<b>Item#</b>	<b>Part#</b>	<b>Description</b>	<b>Qty.</b>	<b>Remarks</b>
1	1540935	Motor, Hydraulic Splined	1	
2	1540554	Fitting, Hydraulic	4	C5315 x12 x10
3	Ref.	Hose Assembly FC639-12-1AA-12FJB-12FJ-28HL	2	
4	Ref.	Valve	1	
5	1500167	Handle, Hydraulic Valve	1	
6	Ref.	Hose Assembly FC639-12-1AA-12FJ-12FJB-32HL	2	
7	1540537	Fitting, Hydraulic	4	C5305 x12
8	Ref.	Hardline Assembly	2	

Hydraulics - Feed Table Lift

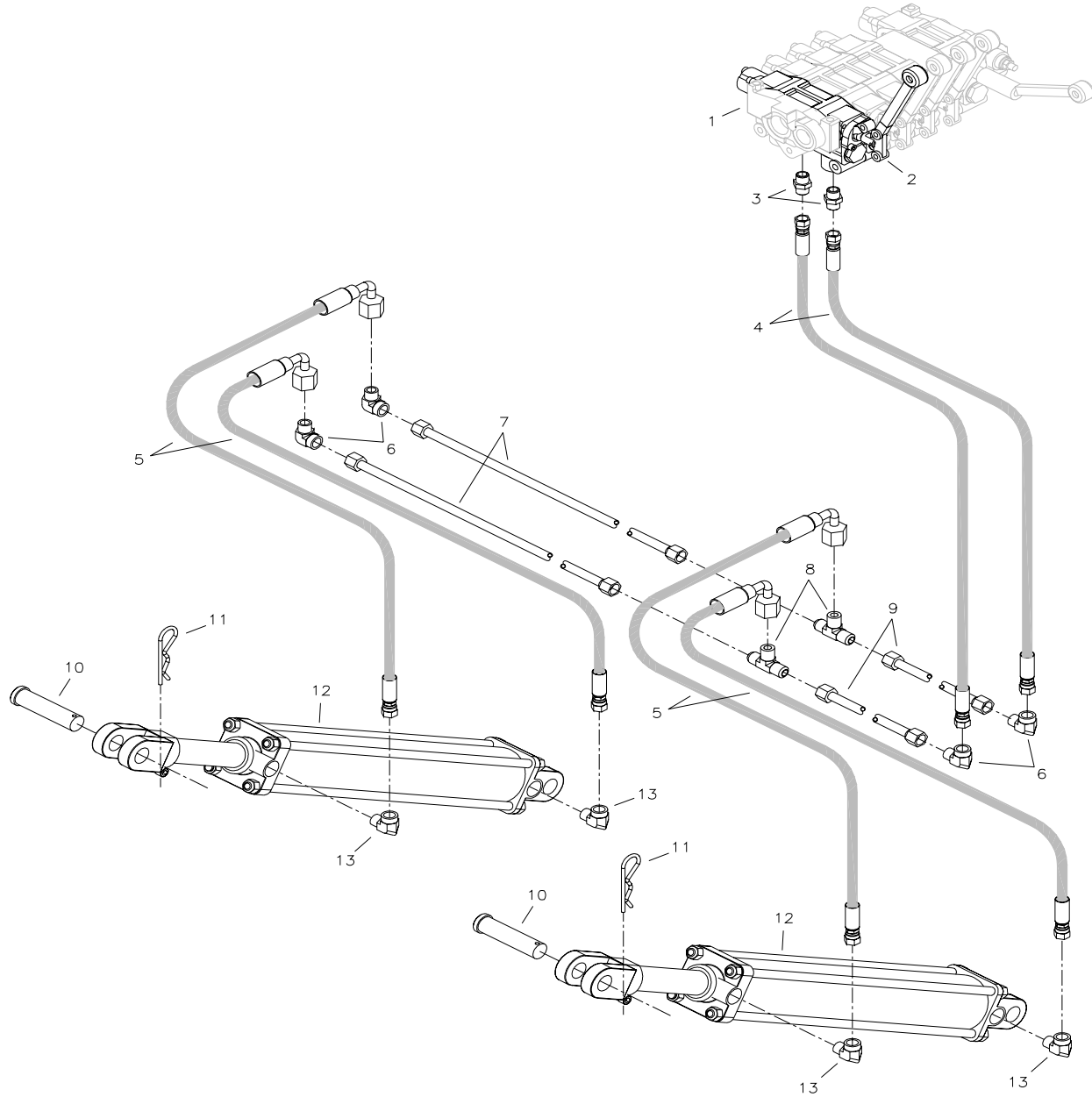


## PARTS MANUAL

### *Hydraulics - Feed Table Lift - Parts List*

Item#	Part#	Description	Qty.	Remarks
1	1500167	Handle, Hydraulic Valve	1	
2	1540573	Fitting, Hydraulic	2	C5315 x8 x10
3	Ref.	Valve, Hydraulic	1	
4	1100081	Fitting, Assembly	4	C5405 x8 x8-7238 x6
5	Ref.	Hose Assembly FC640-8-1AA8FJ-8FJ-8FJ-17HL	2	
6	Ref.	Nut, Hex	2	1/4-20NC
7	Ref.	Washer, Flat	2	1/4
8	1540572	Fitting, Hydraulic	4	C5315 x8
9	1212008	Manifold, Cylinder Check Valve	1	
10	Ref.	Capscrew, Hex	2	1/4-20NC x 2-1/2
11	1541795	Valve, PO Check	1	
12	Ref.	Hose Assembly FC640-8-1AA-8FJ-8FJB-41HL	1	
13	Ref.	Hose Assembly FC640-8-1AA-8FJ-8FJB-42HL	1	
14	Ref.	Hose Assembly FC640-8-1AA-8FJ-8FJ-68HL	2	
15	Ref.	Hose Assembly FC640-8-1AA-8FJ-8FJ-40HL	2	
16	1540102	Cylinder, Hydraulic	2	DB324 w/1-1/2 Shaft
17	1540721	Fitting, Hydraulic	2	C5705 x8
18	Ref.	Hardline Assembly, Upper	1	
19	Ref.	Hardline Assembly, Lower	1	
20	1540680	Fitting, Hydraulic	2	C5505 x8

Hydraulics - Tunnel Clean Out

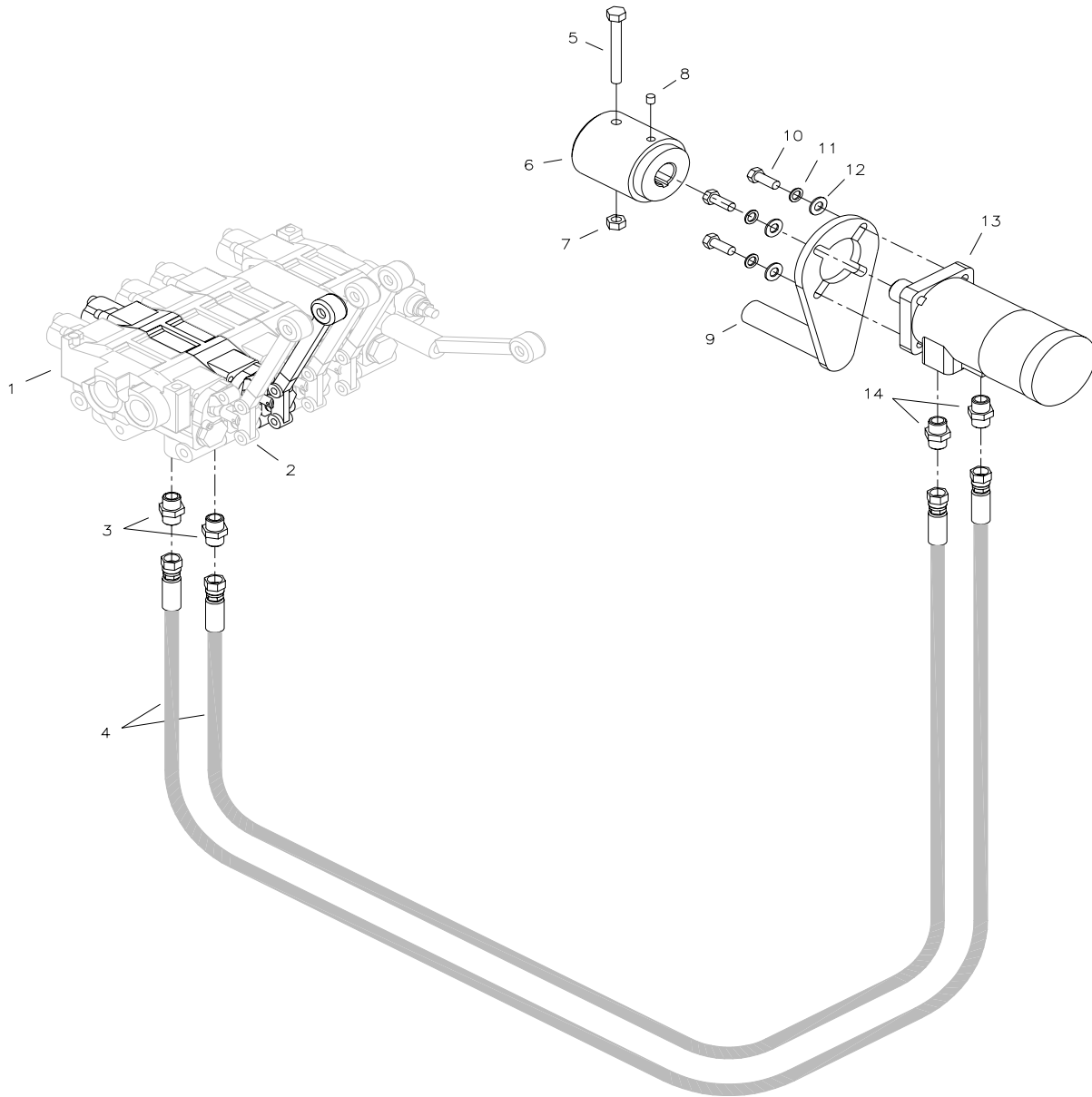


## PARTS MANUAL

### *Hydraulics - Tunnel Clean Out - Parts List*

Item#	Part#	Description	Qty.	Remarks
1	Ref.	Valve	1	
2	1500167	Handle, Hydraulic Valve	1	
3	1540573	Fitting, Hydraulic	2	C5315 x8 x10
4	Ref.	Hose Assembly	2	1/2 x 64
5	Ref.	Hose Assembly	4	1/2 x 24
6	1540680	Fitting, Hydraulic Coupler	4	C5505 x8
7	Ref.	Hardline Assembly, Intermediate	2	
8	1540721	Fitting, Hydraulic	2	C5705 x8
9	Ref.	Hardline Assembly, Primary	2	
10	Ref.	Pin, Clevis	4	
11	Ref.	Pin, Hair	4	
12	1540097	Cylinder, Hydraulic	2	DB2510
13	Ref.	Fitting, Hydraulic Coupler	4	

Hydraulics - Cable Rewind

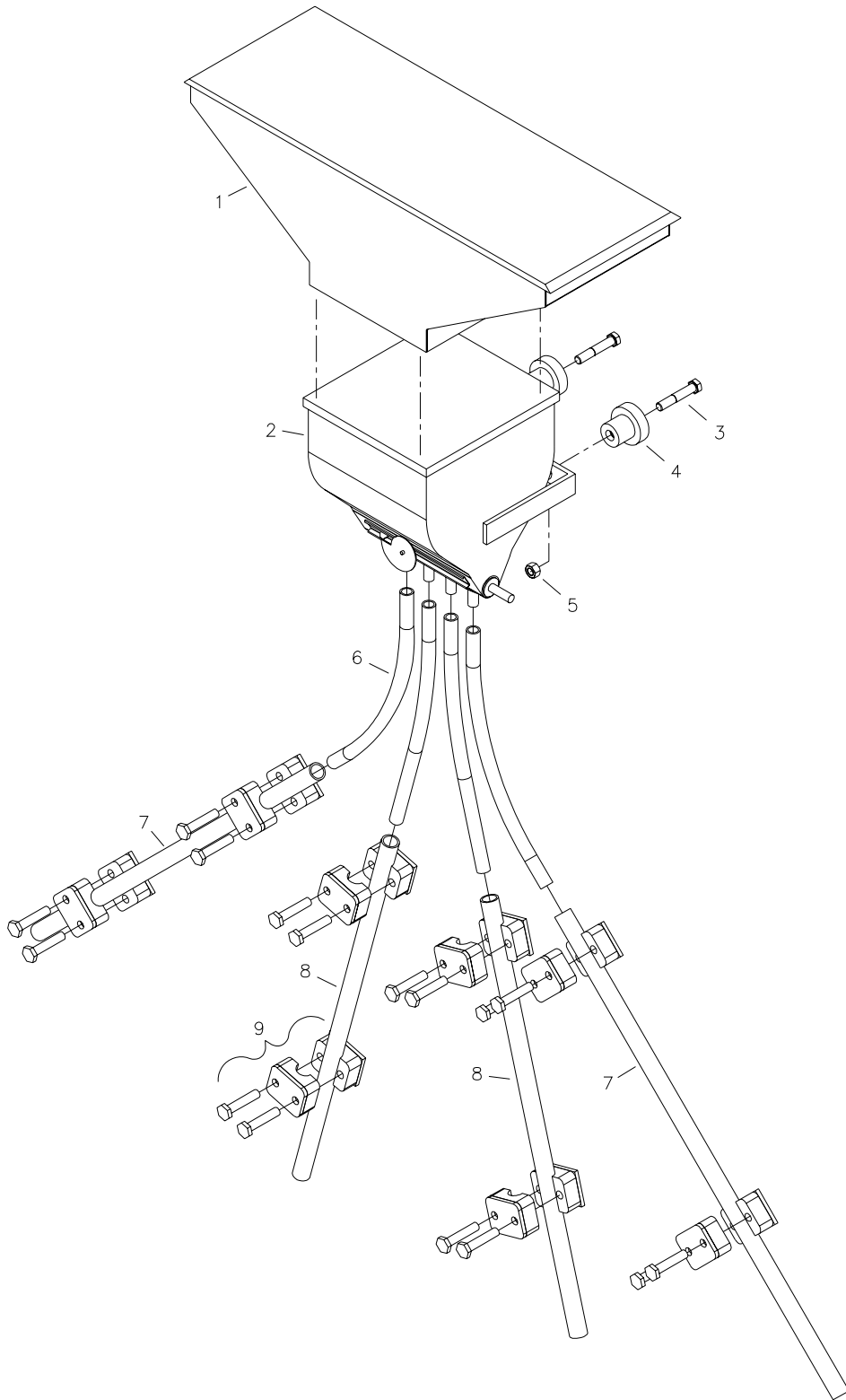


## PARTS MANUAL

### *Hydraulics- Cable Rewind - Parts List*

Item#	Part#	Description	Qty.	Remarks
1	Ref.	Valve	1	
2	1500167	Handle, Hydraulic Valve	1	
3	1540573	Fitting, Hydraulic	2	C5315 x8 x10
4	Ref.	Hose Assembly	2	1/2 x 120
5	Ref.	Capscrew, Hex	1	3/8-16NC x 3-1/2
6	1030014	Crank, Cable Rewind	1	
7	Ref.	Nut, Hex	1	3/8-16NC
8	Ref.	Screw, Set	1	3/8-16NC x 1/2
9	6008011	Mount, Hydraulic Motor	1	
10	Ref.	Capscrew, Hex	4	3/8-16NC x 1
11	Ref.	Washer, Flat	4	3/8
12	1541054	Motor, Hydraulic	1	
13	1541605	Fitting, Hydraulic	2	2404-8-8

*Gandy Applicator*





## PARTS MANUAL

### *Gandy Applicator - Parts List*

Item#	Part#	Description	Qty.	Remarks
1	1206087	Extension, Hopper	1	14 - Gallon
2	1500005	Applicator, 4 hole	1	
3	ref.	Cap Screw, Hex	2	5/8-11NC x 3-1/2
4	1500281	Isolator	2	
5	ref.	Nut, Hex lock	2	5/8-11NC
6	ref.	Tube, Clear vinyl	4	1 x 21
7	ref.	Pipe, PVC	2	1 sch 40 x 40
8	ref.	Pipe, PVC	2	1 sch 40 x 35
9	1541249	Clamp,	8	1-1/4 single T
ref.	1120564	Kit, PVC pipes	ref	