

# Port-Skid

A portable ALL in ONE skid that will make your chemical injection easier and safer than ever.

## P - SERIES

Our P Series chemical injection skids feature an all stainless steel pneumatic pump for low to medium pressures with different flow rates.

### Features and Benefits:

---

- Compact, light and portable
- All in one skid that will allow to inject chemicals with a clean and safe operation.
- Quick and easy field installation. Just hook up the suction line from the tank and the discharge line to the process and is ready to go.
- Reduces considerably the risk of chemical spills protecting both the operator and the environment from the effects of harsh chemicals.
- Easy installation, operation and maintenance
- Our PORT-SKID systems include all the necessary components for the correct calibration of the pump as well as the safe operation of the system.

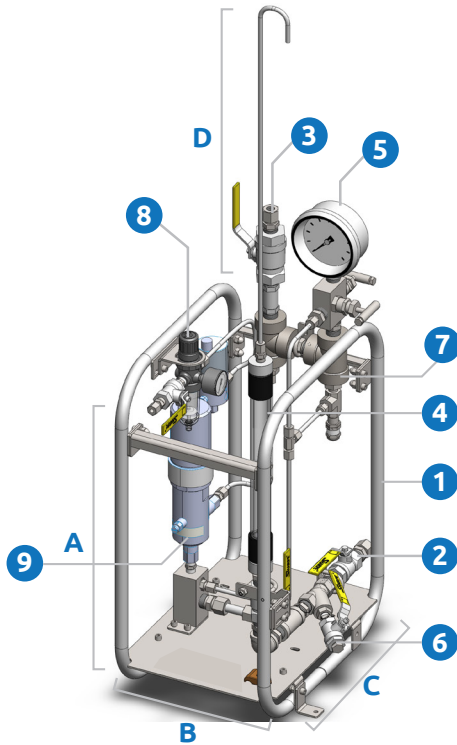


**Includes a Python Series plunger type pump from GRACO®\*, with the following great features:**

- Ease of Serviceability: Easy access to the plunger and packing making its maintenance very fast and simple.
- Adjustable fluid packing that lasts up to 25 times longer than non-adjustable ones.
- CE Approved
- Pump cycle remains constant regardless of the system backpressure.

\*GRACO® is a registered trademark of GRACO Inc.

# Components:



- 1 All stainless steel 304 structure
- 2 All stainless steel 316 suction line
- 3 All stainless steel 316 discharge line
- 4 Calibration cylinder - 316SS wetted parts
- 5 Stainless steel pressure gauge
- 6 Y strainer and purge
- 7 Relief valve
- 8 Gas filter regulator
- 9 Chemical injection pump

## Dimensions:

- A: 21 - 1/4"      C: 14 - 3/4"
- B: 10"            D: 21"

# How to Order:

## P-SERIES ORDERING INFORMATION

PART No.	MIN FLOW (GPD)	MAX FLOW (GPD)	MAX DISCHARGE PRESSURE (PSI)				PUMP AIR MOTOR	PUMP PACKING	PLUNGER SIZE
			50 PSI SUPPLY	100 PSI SUPPLY	150 PSI SUPPLY	200 PSI SUPPLY			
P-100-15-30-A25003	0.3	40	375	825	1250	1600	1.25"	VITON	3/8"
P-100-7-15-A25004	0.6	74	215	425	675	850	1.25"	VITON	1/2"
P-200-3-10-A25005	0.9	110	100	265	410	525	1.25"	VITON	5/8"
P-200-3-10-A25006	1.3	160	85	165	225	275	1.25"	VITON	3/4"
P-100-15-30-A25011	0.6	70	450	825	1200	1750	1.75"	VITON	1/2"
P-200-7-20-A25012	0.8	108	275	525	700	950	1.75"	VITON	5/8"
P-200-3-10-A25013	1.2	160	180	275	400	550	1.75"	VITON	3/4"
P-100-7-20-A25019	0.9	112	500	650	850	1150	2.00"	VITON	5/8"
P-200-3-15-A25020	0.9	165	250	350	500	675	2.00"	VITON	3/4"

NOTES: 1. PUMP PACKING ALSO AVAILABLE IN VITON XTREME, BUNA-N AND KALREZ. PLEASE CONTACT US FOR PRICING AND ORDERING INFORMATION.



**Instrumentation Warehouse Corp**  
 4761 NW 72 Avenue  
 Miami, FL 33166

Phone: ( 1-800-671-0245 )

Email: [cs@instrumentationwarehouse.com](mailto:cs@instrumentationwarehouse.com)

Online Store: [www.instrumentationwarehouse.com](http://www.instrumentationwarehouse.com)