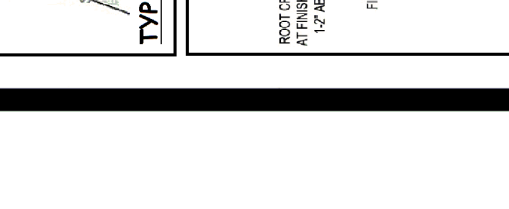
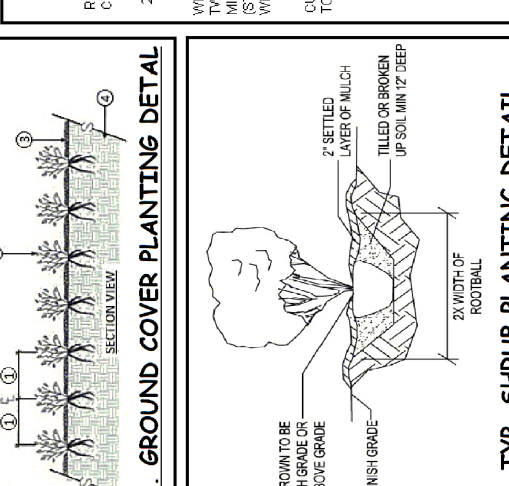
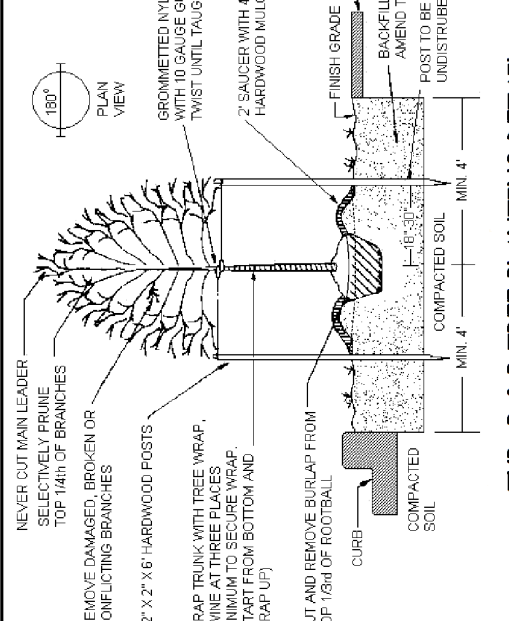
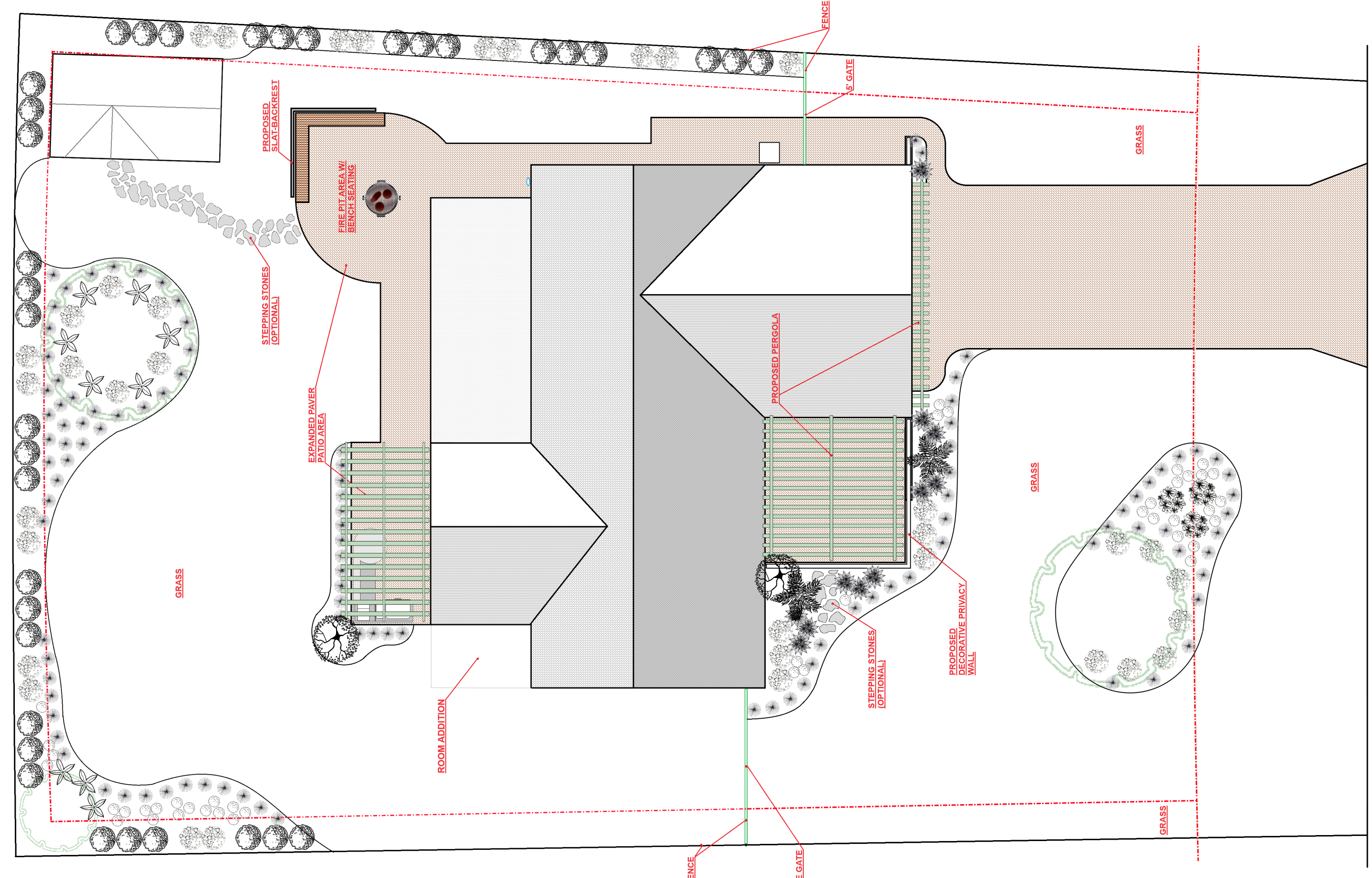


**GENERAL PLANTING GUIDELINES**

- All plants must be healthy, vigorous material, free of pests & diseases & Florida #1 grade or better, unless otherwise indicated.
- All plants must be container grown or balled & burlapped (B&B) as indicated in the plant list.
- All plants are subject to approval of the landscape designer & property owner before during, & after installation.
- All trees are to be girdled or staked as instructed by designer if different than Master Landscape Plan indicators.
- All plants & planting areas must be completely mulched to a minimum depth of 3" using Chocolate Shredded Mulch, (existing Pine Straw Beds surrounding Pine Trees to remain Pine Straw).
- Landscaping contractor shall be responsible for locating all underground utilities, structure, prior to construction, that may be affected by the proposed landscape.
- The landscape contractor is responsible for verifying all plantings (including, but not limited to watering, spraying, mulching, fertilizing, etc.) of planting areas and laws until the work is accepted in total by the landscape designer.
- Any plant material which dies, turns brown or deteriorates (prior to total acceptance of the work) shall be promptly removed from the site and replaced with material of the same species, quantity, size, and meeting all plant list specifications. Normal plant material shall be warranted for a period of 3 months after completion. Pains and trees shall be warranted for (1) year. Warranty period starts after latest replacement is accepted.
- Landscaping contractor shall verify the plant quantities. Plant symbols on the landscape construction plan cannot be determined. Contractor to notify property owner of all seed replacement and species.
- Landscaping contractor shall verify the plant quantities. Plant symbols on the landscape construction plan supersede quantities in the plant list.
- Site grading (80% trees, caliper shall take precedence over height).
- All mulch (Chocolate Shredded Mulch) to be approved by the landscape designer and the owner. Provide samples to the landscape designer for review and approval prior to installation of mulch. Mulch shall be free of foreign debris or deleterious material. Mulch shall not be treated with any compound harmful to plants or wildlife.
- Verify location of all underground utilities, structure, prior to construction, that may be affected by the proposed landscape.
- All existing plant material to be salvaged will be established during the preliminary walkthrough with the landscape designer and/or owner representative - all unwanted plant material to be removed by landscape contractor and included in bid. Approval of all existing vegetation to be removed is required by the landscape designer and/or property owner representative prior to removal.
- Excessive plant material shown on plan and not installed shall be deducted from final invoice and promptly removed from the property.
- Work performed shall comply with the following: A. These General Notes, and Construction Documents and Specifications shall be inclusive of all codes, regulations and requirements adopted by the state of Florida, including all amendments.
- Source of base information is Dameron Designs and is assumed to be correct. Report any discrepancies to the landscape designer and/or owner representative prior to commencement of work.
- Verify location of all underground utilities, structure, prior to construction, that may be affected by the proposed landscape.
- Contact local underground utility services for utility location and identification, prior to commencing work.
- Contractor shall be responsible for the disposal of all debris and materials removed from the site. The contractor shall be responsible for the disposal of all debris and materials removed from the site. The contractor shall be responsible for the disposal of all debris and materials removed from the site.
- Berm dirt / Soil must be free of foreign debris and good clean fill dirt, to promote a healthy plant life and growing landscape. - **Seeds (40, 13Med, 1650) boulders - Strategically placed throughout**
- SOULDS - To be included in project bid.**



CALL 48 HOURS BEFORE YOU DIG  
 It's the Law!  
 1-800-432-4770  
 SUNSHINE STATE ONE CALL OF FLORIDA, INC.



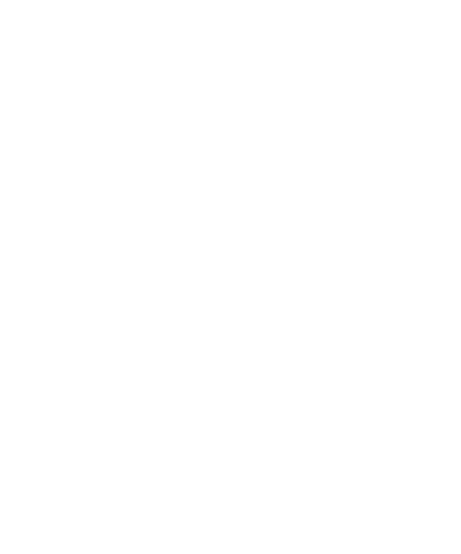
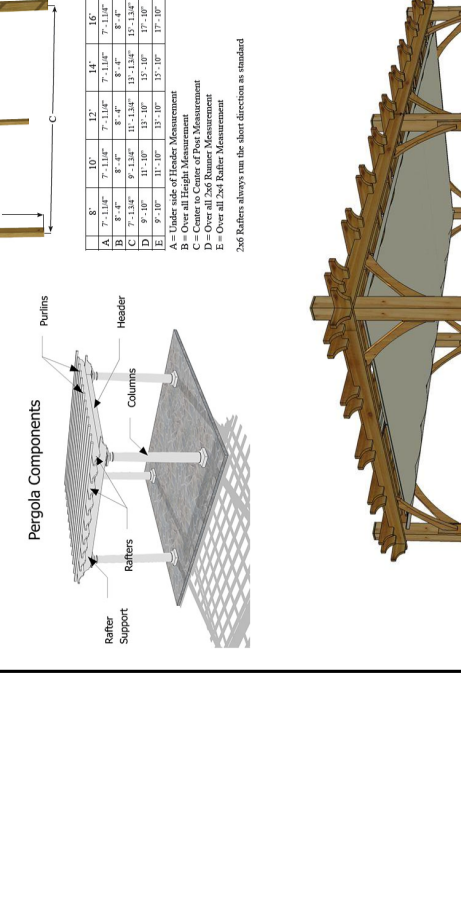
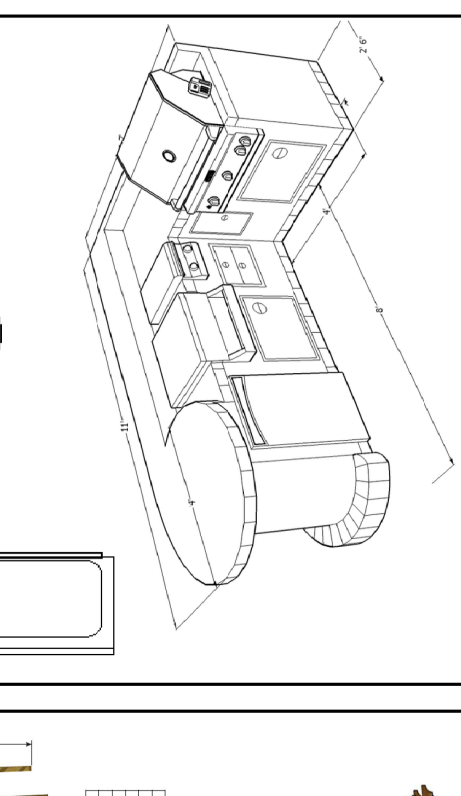
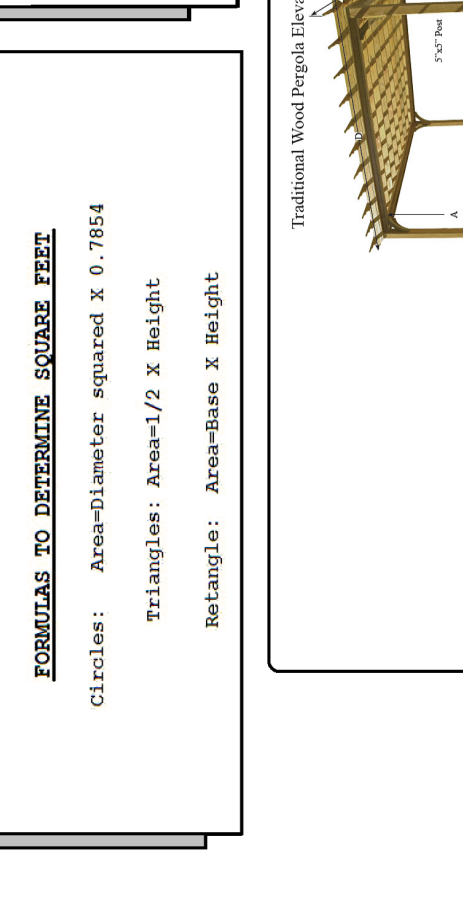
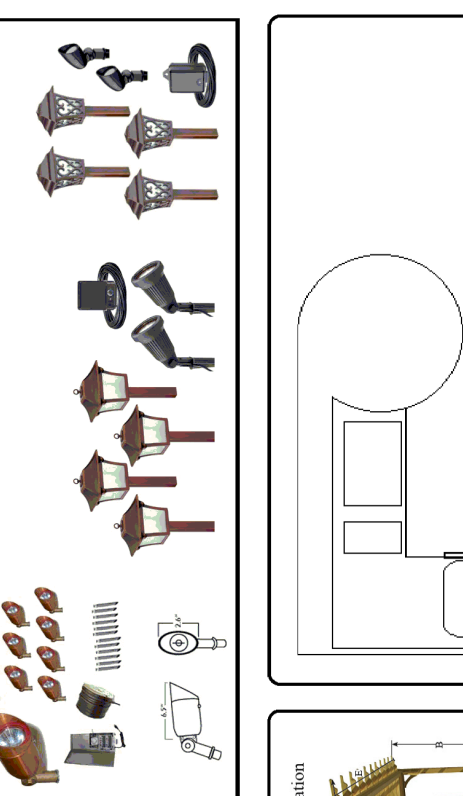
SYMBOL	SYM	QTY	BOTANICAL NAME / COMMON NAME	SIZE	COMMENTS	NOTES
	AZ	9	Alpinia zerumbet / Variegated Shell Ginger	3 gal.	AS SHOWN	In Pot
	BS	43	Begonia x semperflorens-cultorum / Begonia (perennial/annual)	1 gal.	18" O.C.	
	CS	11	Coriaryline spp. / Red Sister Croton	3 gal.	AS SHOWN	No Pot
	HA	3	Heptapleurum arboricola / Variegated Scheffler's Delight	3 gal.	AS SHOWN	
	IC	36	Ilex cornuta / Burford Holly	3 gal.	36" O.C.	
	LM	109	Liriodie muscaari / Evergreen Giant	1 gal.	18" O.C.	
	PR	2	Phoenix roebelenii / Pygmy Date Robelini Palm (min triple trunk)	15 gal.	AS SHOWN	
	RS	36	Rhododendron spp. / Azalea Variety (Homeowner Choice)	3 gal.	36" O.C.	
	SA	2	Bougainvillea brasiliensis (Purple)	15 gal.	AS SHOWN	treils

SYMBOL	SYM	QTY	BOTANICAL NAME / COMMON NAME	SIZE	COMMENTS	NOTES
	X		Existing Plant Material / Tree (to remain/Salvage)			
	XX	18 CY	Dark Chocolate Shredded Mulch			
	XXX	800 SF	57 Stone RV Driveway (include metal edging)	8 TON	Stone / Edging	Special
	XXXX	2800 SF	Pavers (homeowner choice) (to match existing)			Special



**GUIDE FOR ESTIMATING AND PLANTING**

Inches	32 PLANTS	64 PLANTS	100 PLANTS
6"	8 sq. ft.	16 sq. ft.	25 sq. ft.
8"	14 sq. ft.	28 sq. ft.	44 sq. ft.
10"	22.5 sq. ft.	45 sq. ft.	70 sq. ft.
12"	32 sq. ft.	64 sq. ft.	96 sq. ft.
15"	50 sq. ft.	100 sq. ft.	156 sq. ft.
18"	72 sq. ft.	144 sq. ft.	225 sq. ft.
24"	128 sq. ft.	256 sq. ft.	400 sq. ft.



CALL 48 HOURS BEFORE YOU DIG  
 It's the Law!  
 1-800-432-4770  
 SUNSHINE STATE ONE CALL OF FLORIDA, INC.



**REVISIONS**

BY	DATE	DESCRIPTION
T.TERRY	2/22/2024	D.D.