



Active Safety

AI Powered
Active Arcing Protection



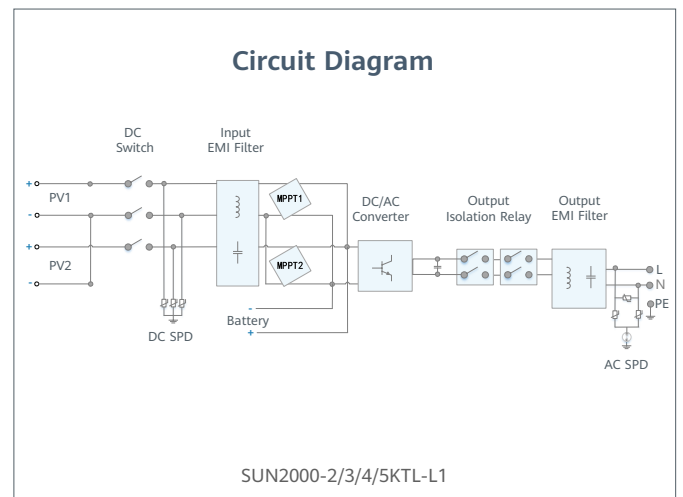
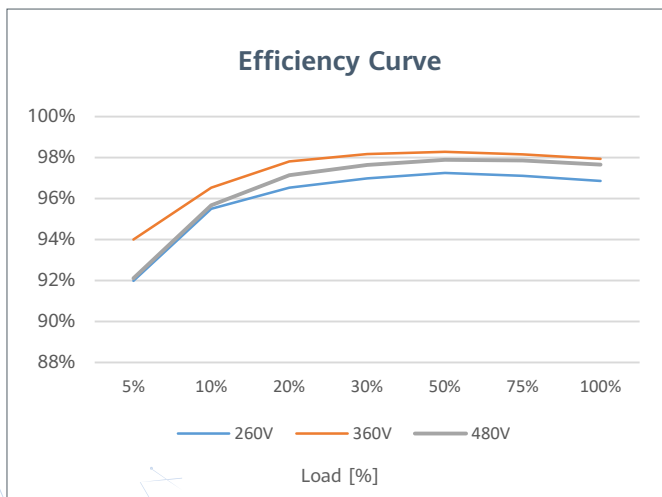
Higher Yields

Up to 30% More
Energy with Optimizer



2x POWER Battery Ready

5KW AC Output plus
5KW Battery Charge



SUN2000-2/3/4/5KTL-L1
Technical Specification

Technical Specification	SUN2000 -2KTL-L1	SUN2000 -3KTL-L1	SUN2000 -4KTL-L1	SUN2000 -5KTL-L1
Efficiency				
Max. efficiency	98.2 %	98.3 %	98.4 %	98.4 %
European weighted efficiency	96.7 %	97.3 %	97.5 %	97.8 %
Input (PV)				
Recommended max. PV power ²	3,000 Wp	4,500 Wp	6,000 Wp	7,500 Wp
Max. input voltage			600 V ³	
Start-up voltage			100 V	
MPPT operating voltage range			90 V – 560 V ³	
Rated input voltage			360 V	
Max. input current per MPPT			12.5 A	
Max. short-circuit current			18 A	
Number of MPP trackers			2	
Max. number of inputs			2	
Input (DC Battery)				
Compatible Battery			LG Chem RESU 7H_R / 10H_R	
Operating voltage range			350 ~ 450 Vdc	
Max operating current			10 A @7H_R / 15 A @10H_R	
Max charge power			3,500 W @7H_R / 5,000 W @10H_R	
Max discharge Power @7H_R	2,200 W	3,300 W	3,500 W	3,500 W
Max discharge Power @10H_R	2,200 W	3,300 W	4,400 W	5,000 W
Compatible Battery			HUAWEI Smart ESS Battery 5kWh – 30kWh ¹	
Operating voltage range			350 ~ 560 Vdc	
Max operating current			15 A	
Max charge Power			5,000 W ⁴	
Max discharge Power	2,200 W	3,300 W	4,400 W	5,000 W
Output				
Grid connection			Single phase	
Rated output power	2,000 W	3,000 W	4,000 W	5,000 W ⁵
Max. apparent power	2,200 VA	3,300 VA	4,400 VA	5,500 VA ⁷
Rated output voltage			220 Vac / 230 Vac / 240 Vac	
Rated AC grid frequency			50 Hz / 60 Hz	
Max. output current	10 A	15 A	20 A	25 A ⁸
Adjustable power factor			0.8 leading ... 0.8 lagging	
Max. total harmonic distortion			≤ 3 %	
Backup power output			Yes (via Backup Box-B0 ¹)	
Protection & Feature				
Anti-Islanding protection			Yes	
DC reverse polarity protection			Yes	
Insulation monitoring			Yes	
DC surge protection			Yes, compatible with TYPE II protection class according to EN/IEC 61643-11	
AC surge protection			Yes, compatible with TYPE II protection class according to EN/IEC 61643-11	
Residual current monitoring			Yes	
AC overcurrent protection			Yes	
AC short-circuit protection			Yes	
AC overvoltage protection			Yes	
Over-heat protection			Yes	
Arc fault protection			Yes	
Battery reverse charging from grid			Yes	
General Data				
Operating temperature range	-25 ~ +60 °C (Derating above 45°C @ Rated output power)			
Relative operating humidity	0 %RH ~ 100 %RH			
Operating altitude	0 ~ 4,000 m (Derating above 2,000 m)			
Cooling	Natural convection			
Display	LED indicators; integrated WLAN + FusionSolar APP			
Communication	RS485, WLAN via inverter built-in WLAN module Ethernet via Smart Dongle-WLAN-FE (Optional); 4G / 3G / 2G via Smart Dongle-4G (Optional)			
Weight (incl. mounting bracket)	12.0 kg (26.5 lb)			
Dimension (incl. mounting bracket)	365mm * 365mm * 156 mm (14.4 x 14.4 x 6.1 inch)			
Degree of protection	IP65			
Optimizer Compatibility				
DC MBUS compatible optimizer	SUN2000-450W-P			

Standard Compliance (more available upon request)

Safety	EN/IEC 62109-1, EN/IEC 62109-2
Grid connection standards	G98, G99, EN 50549-1, CEI 0-21, VDE-AR-N-4105, AS 4777, C10/11, ABNT, UTE C15-712, RD 1699, TOR D4, IEC61727, IEC62116

¹ Available in 2021 Q1.

² Inverter max input PV power is 10,000 Wp when long strings are designed and fully connected with SUN2000-450W-P power optimizers.

³ The maximum input voltage and operating voltage upper limit will be reduced to 495 V when inverter connects and works with LG battery.

⁴ 2,500 W @ 5kWh HUAWEI ESS battery

⁵ AS4777.2: 4,991W. ⁶ VDE-AR-N 4105: 4,600VA / AS4777.2: 4,999VA. ⁷ AS4777.2: 4,999VA / C10/11:5,000VA ⁸ AS4777.2: 21.7A

Version No.:01-(20190716)