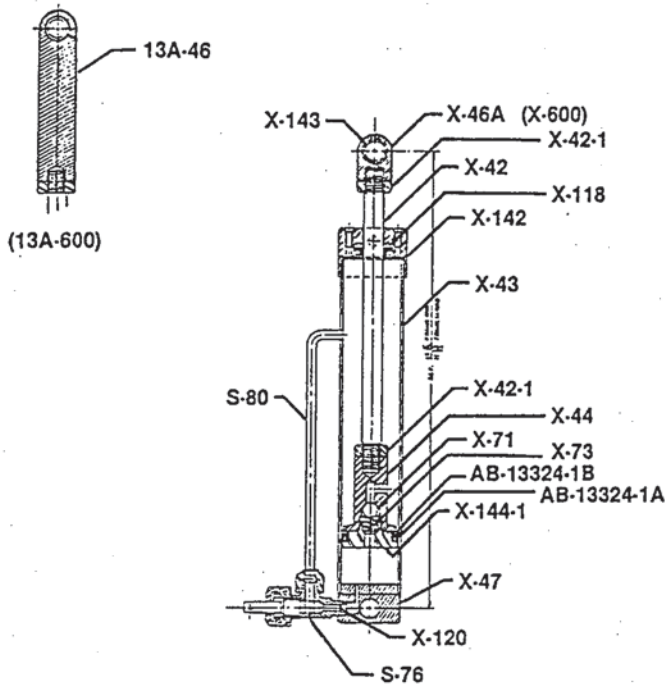


Hydraulic Assembly



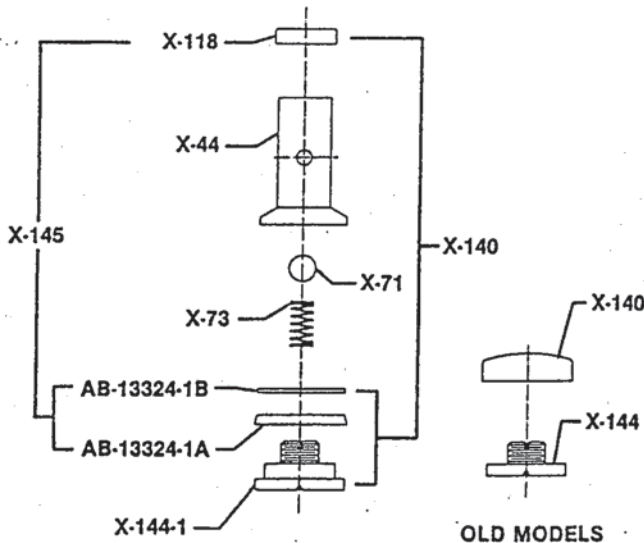
Cylinder Repair Kits

X-140 Leather Cup Replacement Kit

X-118	Oil Seal
X-144-1	Piston Nut
AB-13324-1A	U-Cup
AB-13324-1B	Back-up Ring

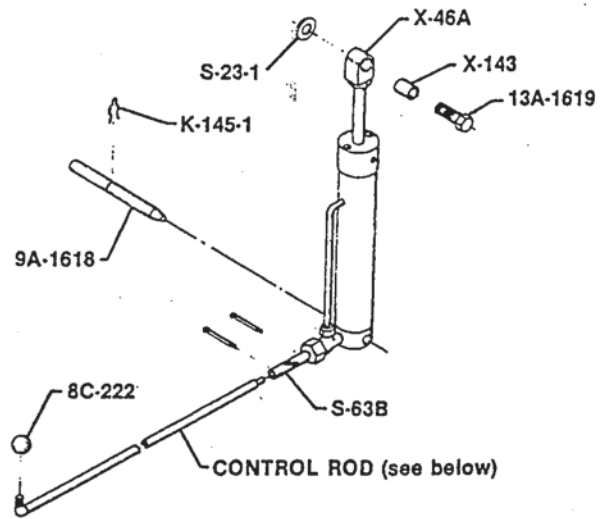
X-145 Seal Replacement Kit

X-118	Oil Seal
AB-13324-1A	U-Cup
AB-13324-1B	Back-up Ring



OLD MODELS

X-600	Hydraulic Assembly (Models 7A, U816, 8A, 9A, 816, 824, 1220)
13A-600	Hydraulic Assembly (Models 13A)
X-142	Upper Cylinder Head
X-43B	Cylinder Housing w/tube
X-42	Piston Rod
X-44	Piston
X-42-1	Piston Rod Nut
X-144-1	Piston Nut
X-118	Oil Seal
S-80	Copper Tube only
X-71	Steel Ball
X-73	Ball Retainer Spring
S-76	Needle Valve with Jet
AB-13324-1A	U-Cup only
AB-13324-1B	Back-up Ring only
X-143	Frame Connector Bushing
X-46A	Frame Connector (X-600 only)
13A-46	Frame Connector (13A-600 only)



Mounting & Control Parts (All Models)

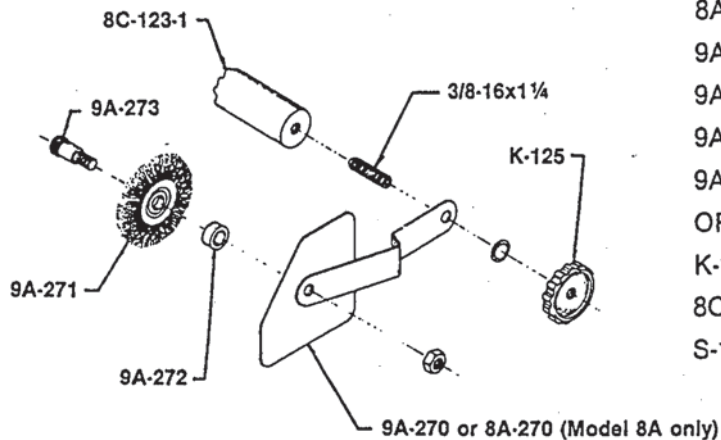
9A-1614	Pivot Pin
8C-222	Control Rod Knob (Black)
S-63B	Universal Joint
S-23-1	Frame Connector Washer
8C-1619	Control Rod Decal (not shown)

Control Rods

9A-1614	Models 9A & U816
13A-1614	Models 8A & 13A

Blade Cleaning Assembly

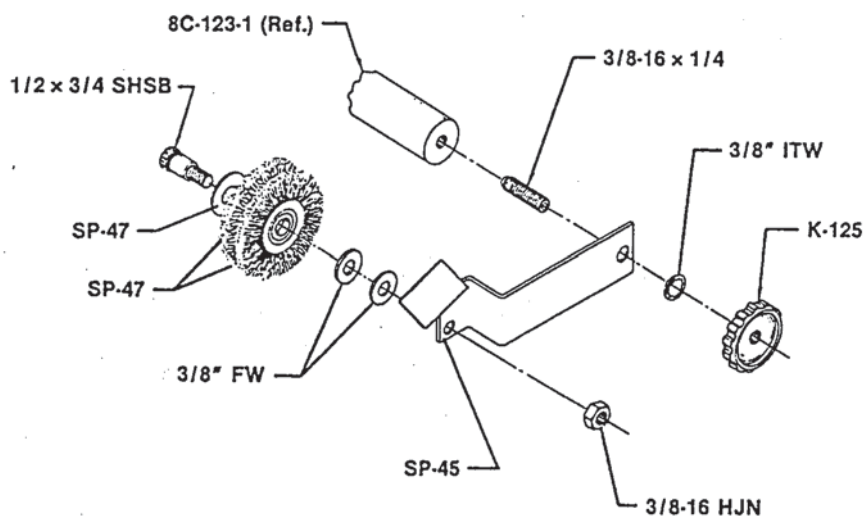
Models 8A, 9A, 13A



8A-27 & 9A-27 BLADE BRUSH ASSEMBLY

8A-270	Brush Bracket (Model 8A)
9A-270	Brush Bracket (Models 9A, 13A)
9A-271	Brush
9A-272	Brush Axle Spacer
9A-273	Brush Axle Shoulder Bolt
ORDER SEPARATELY:	
K-125	Tightener Knob
8C-123-1	Pivot Bar (Model 9A & U816)
S-12B	Pivot Bar (Models 8A, 13A)

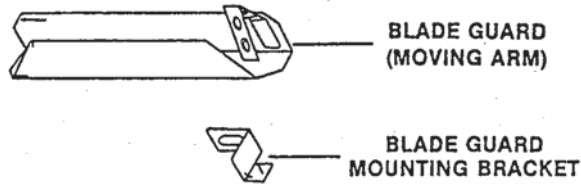
Model U816



SP-50 BLADE BRUSH ASSEMBLY (Model U816 Only)

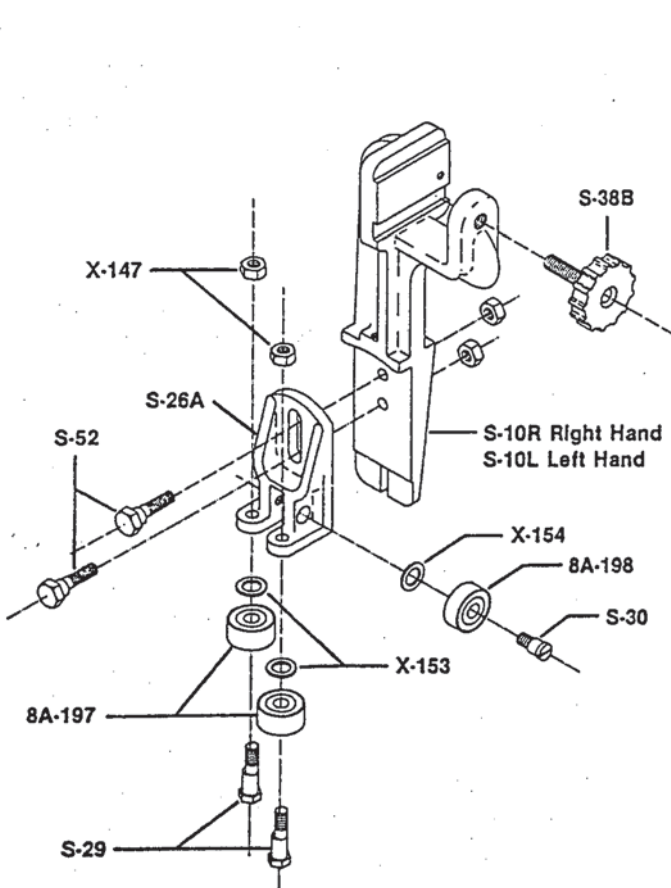
SP-45	Blade Cleaning Brush Bracket
SP-47	Blade Cleaning Brush (2 Req'd.)
—	3/8" Flat Washer (2 Req'd.)
—	1/2 Dia. x 3/4 lg. Soc. Hd. Shld. Scr.
K-125	Handknob
—	3/8-16 x 1/4 lg. Soc. Set Screw
—	3/8" Internal Tooth Lock Washer
—	3/8-16 Hex Jam Nut
8C-123-1	Pivot Bar - Ref.
—	1/2" Flat Washer

Blade Guard Parts



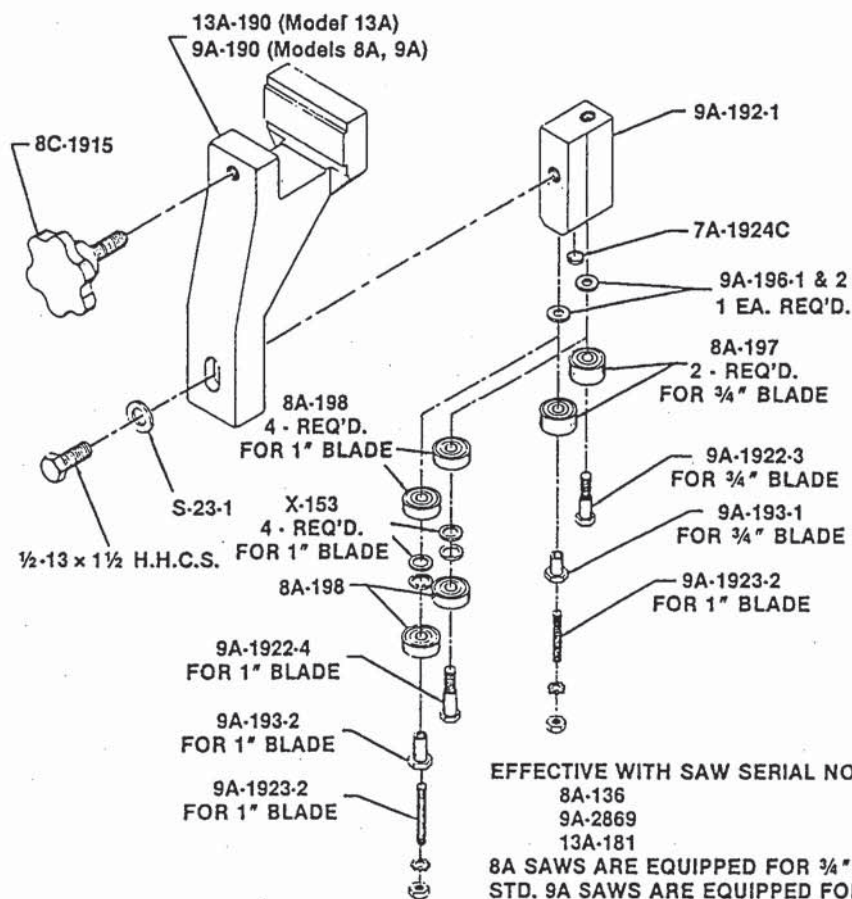
<u>Models</u>	<u>Part Number</u>
Blade Guard (Moving Arm)	
9A	9A-1931
8A, 13A	13A-1931
U816	U-1931
Blade Guard Mounting Bracket	
8A, 9A, 13A	9A-1930
U816	8C-1930
Blade Guard - Fixed Side	
See Blade Brush Assembly (opposite page)	

Support/Guide Blade Assemblies (Models U816, 816, 824)



X-700R	R - Right Hand	} Complete Assembly
X-700L	L - Left Hand	
S-10R	Guide Arm, R - Right Hand	
S-10L	or L - Left Hand	
S-38	Guide Arm Tightener	
X-701	Roller Guide Assembly:	
S-26A	Guide Block	
S-29	Holder Eccentric Screws (2 req'd)	
S-30	Top Roller Axle	
S-52	Roller Eccentric Screws (2 req'd)	
X-153	Washer (2 req'd)	
8A-197 ("F")	Side Roller Bearing (2 req'd)	
8A-198 ("G")	Top Roller Bearing	
X-154	Washer	
X-147	Self-Locking Nut (4 req'd)	

Blade Support/Guide Assemblies (Models 8A, 9A, 13A)



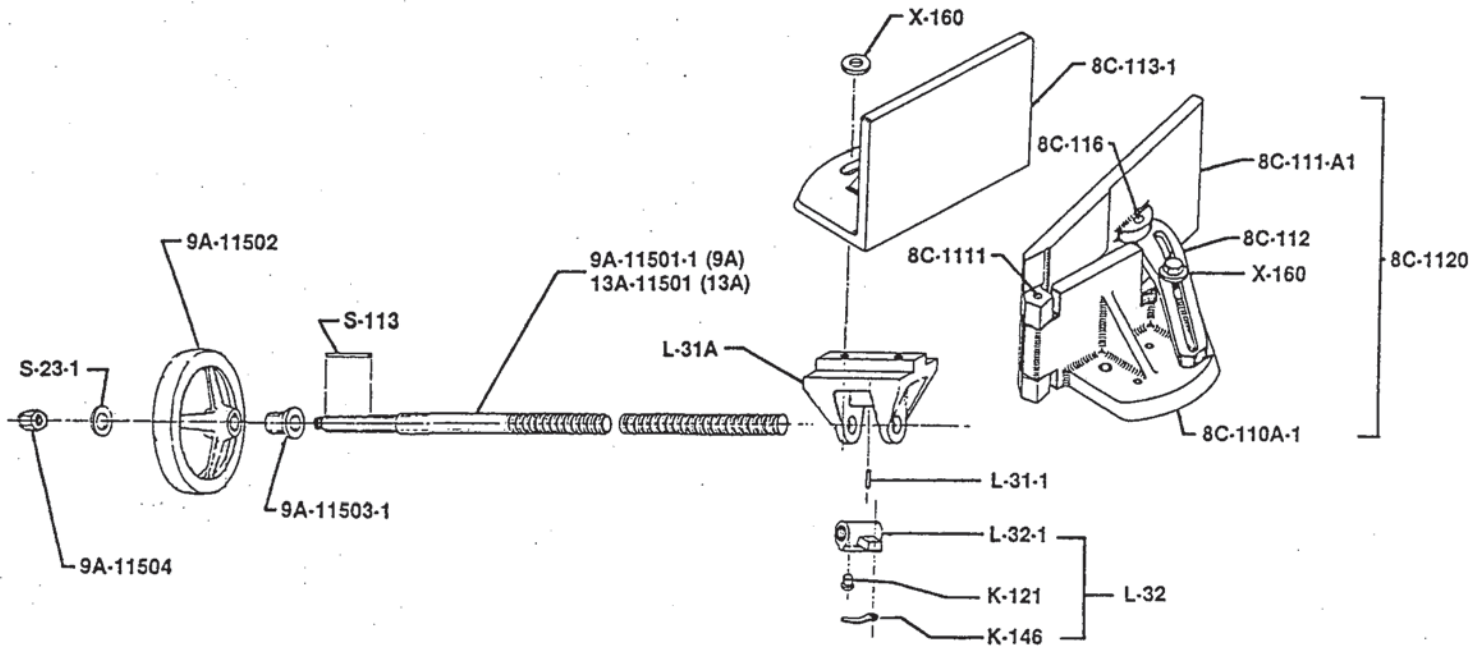
1" Wide Blade (H8A, H9A, 13A)

9A-1974	Models H8A & H9A Complete Assembly
13A-1900	Models 13A Complete Assembly
9A-190	Guide Arm Only, 8A & 9A
13A-190	Guide Arm Only, 13A Models
8C-1915	Guide Arm Tightener Knob
S-23-1	Washer
9A-1901-4	Guide Block Assembly:
9A-192-1	Guide Block
9A-193-2	Guide Cam
X-153	Washer (4 req'd)
9A-196-1	1/4" Washer
9A-196-2	5/16" Washer
8A-198	Roller Bearing (4 req'd)
9A-1922-4	Shoulder Screw
9A-1923-2	Bolt
7A-1924C	Carbide Insert

3/4" Blade (8A, 9A)

9A-1975	Models 8A & 9A Complete Assembly
9A-190	Guide Arm Only, 8A & 9A
8C-1915	Guide Arm Tightener Knob
S-23-1	Washer
9A-1901-3	Guide Block Assembly:
9A-192-1	Guide Block
9A-193-1	Guide Cam
9A-196-1	1/4" Washer
9A-196-2	5/16" Washer
8A-197	Roller Bearing (2 req'd)
9A-1922-3	Shoulder Screw
9A-1923-1	Bolt
7A-1924C	Carbide Insert

Vise System (Models 9A, 13A)



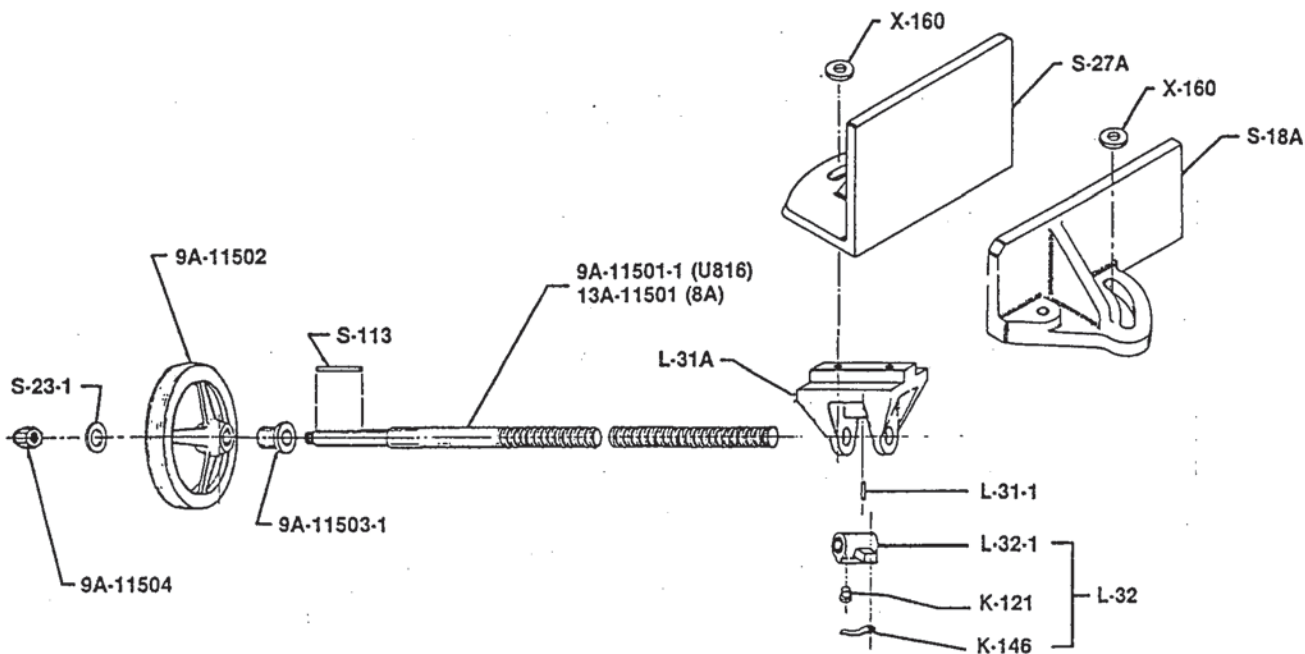
8C-1120	Fixed Vise Jaw Assembly:	L-32	Vise Cam Nut with Pin and Spring
8C-110A-1	Fixed Vise Jaw	K-121	Vise Nut Friction Pin
8C-111A-1	Fixed Vise Jaw Hinged Leaf	K-46	Vise Nut Spring
8C-112	Hinged Leaf Quadrant	9A-11501-1	Vise Screw (9A)
8C-1111	Hinged Leaf Pin	13A-11501	Vise Screw (13A)
8C-1116	Quadrant Pin	S-113	Vise Screw Key
X-160	Hardened Vise Washer	9A-11502	Hand Wheel
8C-113-1	Moving Vise Jaw	9A-11503-1	Bushing
L-31A	Vise Block with Pin	9A-11504	Acorn Nut
L-31-1	Vise Block Pin Only	S-23-1	Washer

PLEASE NOTE:

A tip for replacing the L-32 vise cam nut is to always clean and inspect the lead screw, looking for wear. Also clean and inspect vise block. The thru hole should be round, not egg-shaped or distorted.

IMPORTANT: If the hole is egg-shaped or distorted you must also replace the vise block, otherwise the new L-32 will not last.

Vise System (Models 8A & U816)



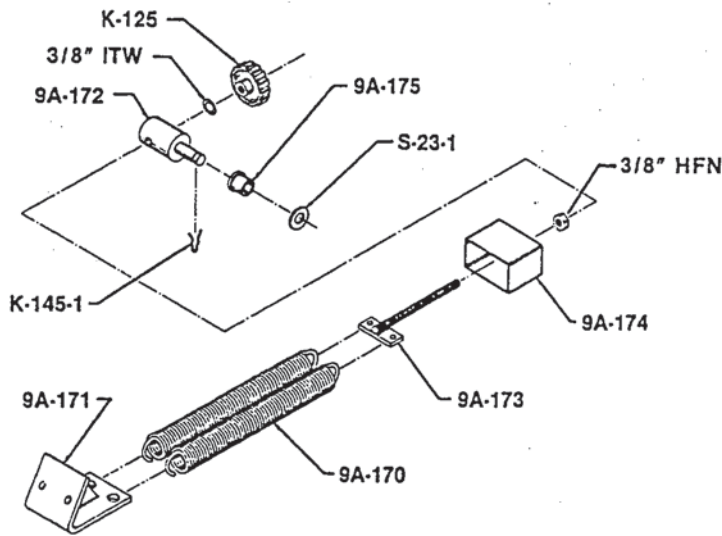
S-18A	Fixed Vise Jaw	9A-11501-1	Vise Screw (U816)
X-160	Hardened Vise Washer (2 req'd.)	13A-11501	Vise Screw (8A)
S-27A	Moving Vise Jaw	S-113	Vise Screw Key
L-31A	Vise Block with Pin	9A-11502	Hand Wheel
L-31-1	Vise Block Pin	9A-11503-1	Bushing
L-32	Vise Cam Nut with Pin and Spring	9A-11504	Acorn Nut
K-121	Vise Nut Friction Pin	S-23-1	Washer
K-146	Vise Nut Spring		

PLEASE NOTE:

A tip for replacing the L-32 vise cam nut is to always clean and inspect the lead screw, looking for wear. Also clean and inspect vise block. The thru hole should be round, not egg-shaped or distorted.

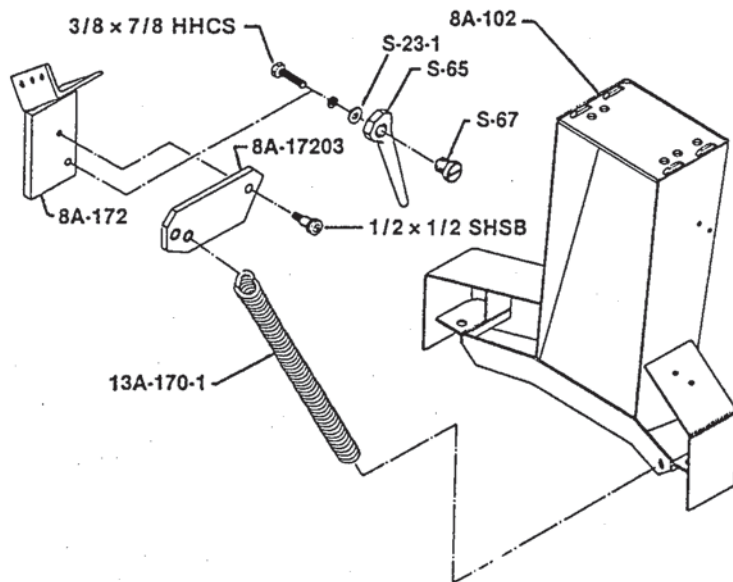
IMPORTANT: If the hole is egg-shaped or distorted you must also replace the vise block, otherwise the new L-32 will not last.

Head Weight Compensation Spring Parts



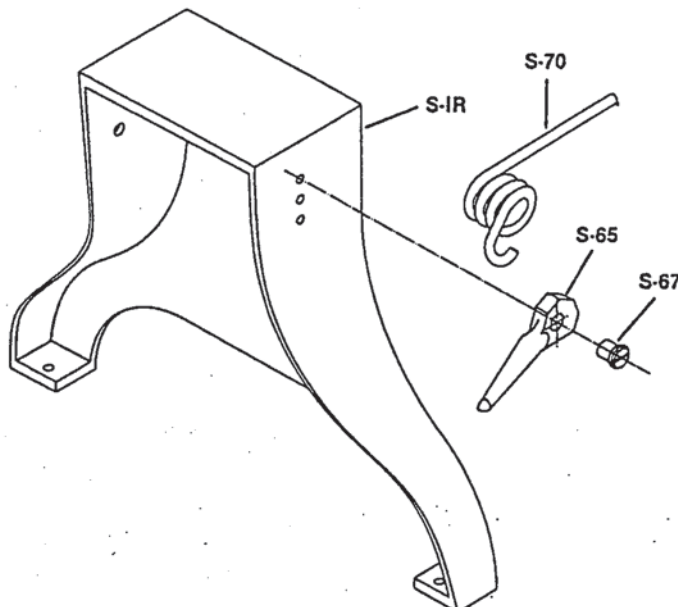
Model 9A

- 9A-170 Extension Spring (2 Req.)
- 9A-171 Spring Bracket
- 9A-172 Spring Pivot Pin
- 9A-173 Adjustment Stud
- 9A-174 Cap
- 9A-175 Pivot Pin Bushing
- K-125 Spring Tension Knob
- K-145-1 Hairpin Cotter
- S-23-1 Washer
- 3/8" Internal Tooth Washer
- 3/8" Hex Full Nut



Model 8A

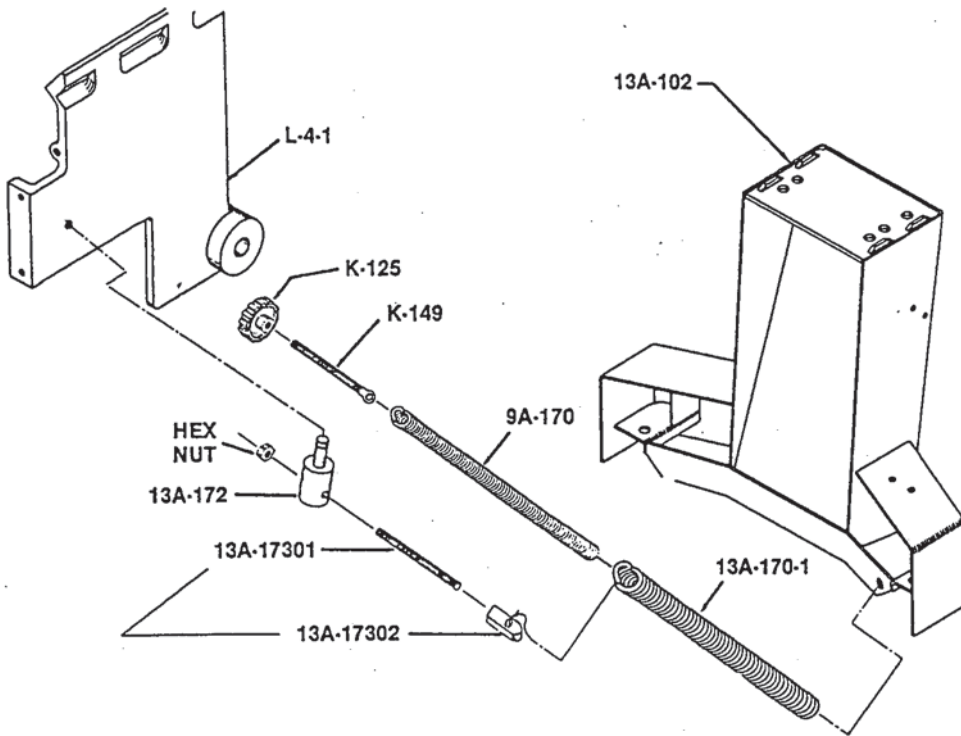
- 8A-102 Rear Leg (Ref.)
- 13A-170-1 Head Wt. Compensating Spring
- 8A-172 Spring Plate Bracket
- S-65 Weight Adjusting Lever
- S-67 Spring Tension Eccentric
- S-23-1 Washer
- 8A-17203 Spring Bracket Ear
- 3/8 x 7/8 Hex Head Cap Screw
- 1/2 x 1/2 Socket Head Shoulder Bolt



Model U816

- S-IR Rear Leg (Ref.)
- S-65 Weight Adjusting Lever
- S-67 Spring Tension Eccentric
- S-70 Spring

Head Weight Compensation Spring Parts (cont.)



Model 13A

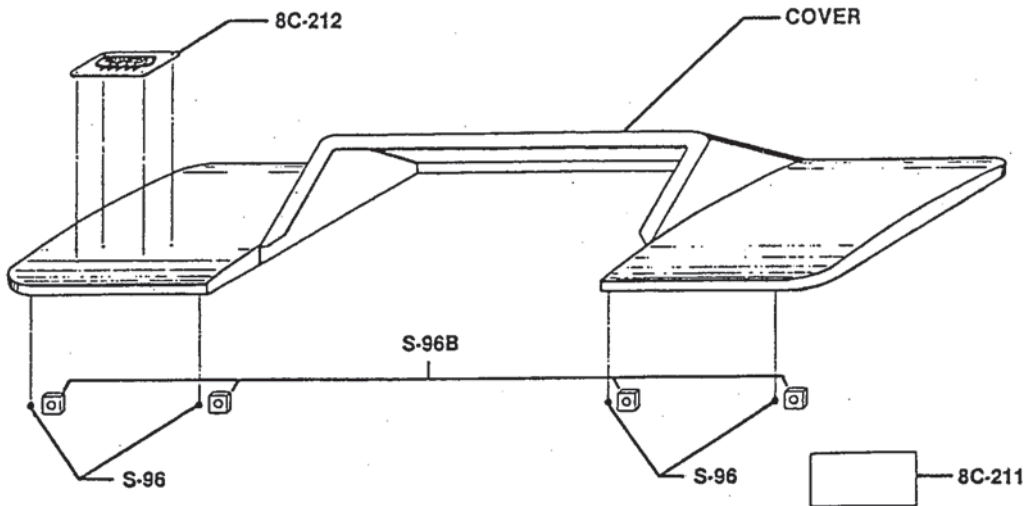
13A-17 SPRING ASSEMBLY

L-4-1	Rear Frame Arm (Ref.)
13A-102	Rear Leg (Ref.)
13A-170-1	Extension Spring
9A-170	Extension Spring
K-149	Extension Spring Bolt
K-125	Spring Tension Handwheel
13A-172	Spring Pivot Pin
13A-17301	Spring Adj. Stud
13A-17302	Spring Hook Eye

Part Number

Head Weight Measurement Scale (All Models) SCALE
(not shown)

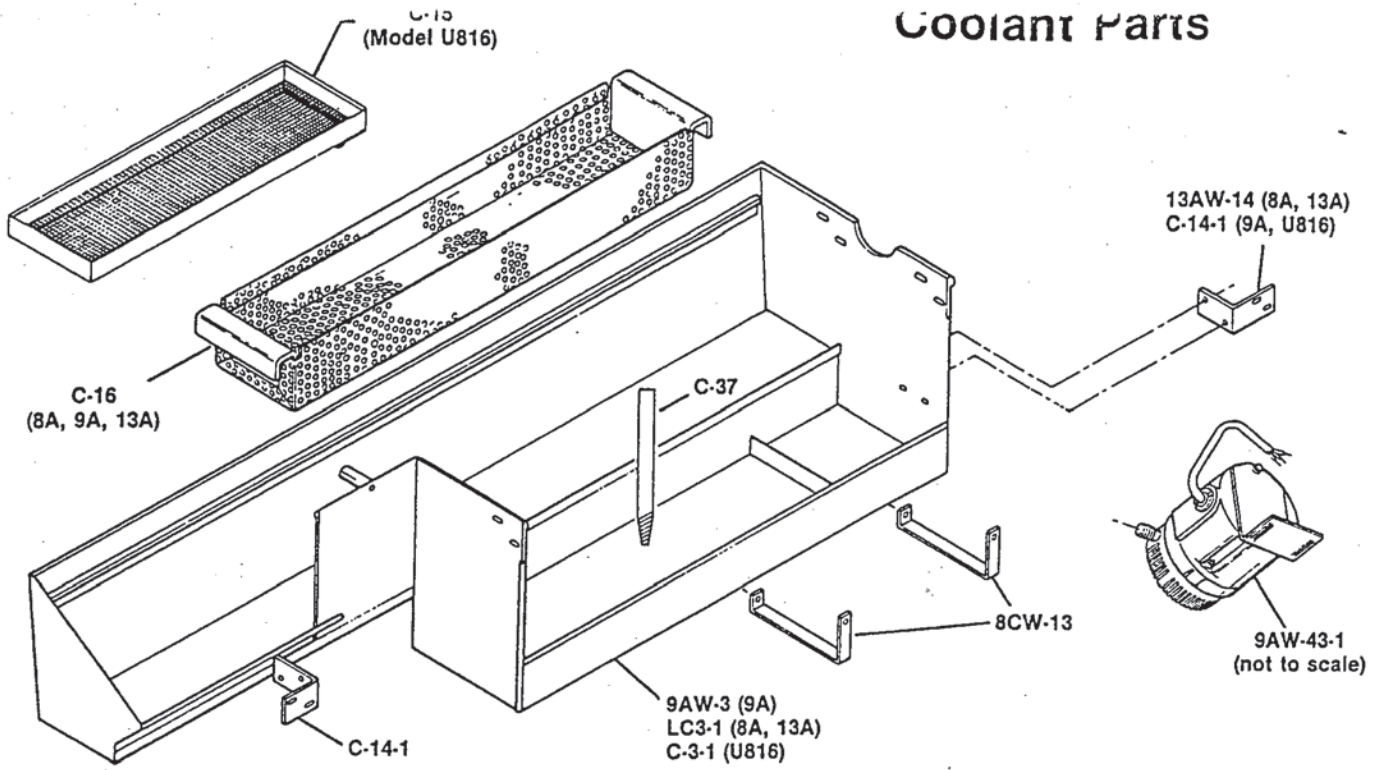
Frame Cover Parts



8C-212	Kalamazoo Logo
S-96B	Tinnerman Nut
S-96	Stem Bumper
8C-211	Serial & Lubrication Plate

Covers:	<u>Part No.</u>
Model 9A	8C-210
Model 8A	S-49C-1
Model 13A	L-49
Model U816	S-49

Coolant Parts

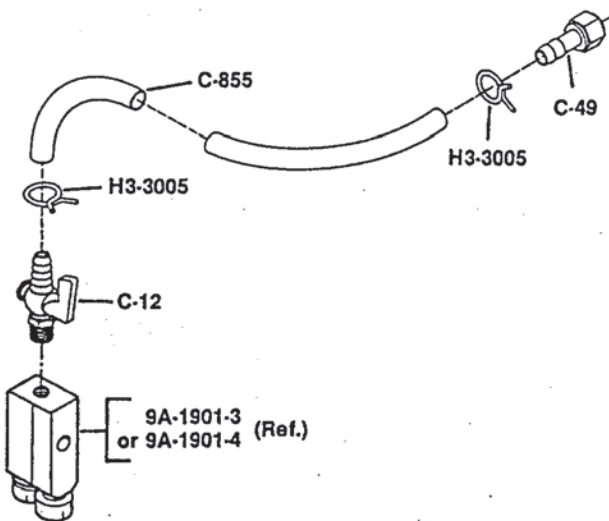


- | | | | |
|--------|--|----------|--|
| 9AW-3 | Coolant Pan, Model 9A | 9AW-43-1 | Coolant Pump |
| LC3-1 | Coolant Pan, Model 8A, 13A | C-3-1 | Coolant Pan (U816 only) |
| C-855 | Coolant Hose (11 ft. Model 8A, 13A)
(9 ft. Model 9A, 816) | C-12 | Shut-Off Valve |
| C-37 | Drain Nipple | C-15 | Wire Mesh Tray |
| C-49 | Hose Barbed Fitting | C-16 | Removable Chip Pan |
| 8CW-13 | Tray/Pan Support Bracket | C-14-1 | Mounting Bracket
(2 per 9A or U816) |
| | | 13AW-14 | Mounting Bracket Long
(1 per 8A or 13A) |
| | | H3-3005 | Hose Clamp (2) |

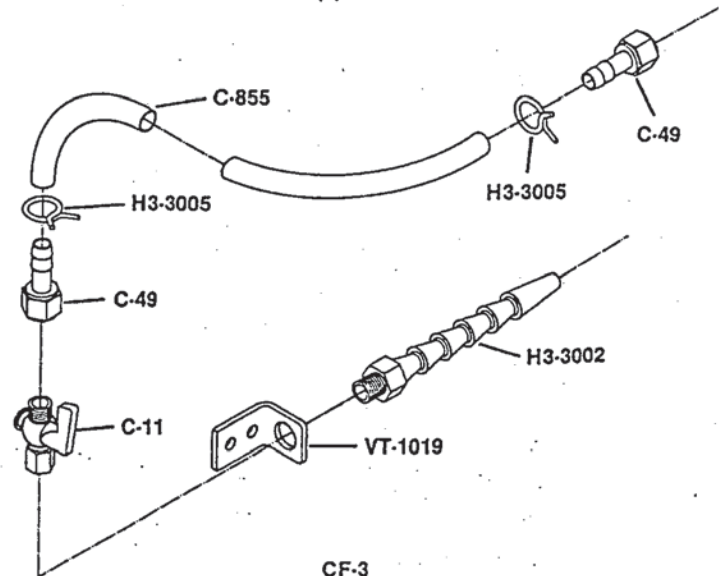
Coolant Feed Assemblies

- | | Part Number |
|----------------------------|-----------------------------|
| Models 8A, 9A or 13A | CF-1 |
| C-12 | Flow Control Valve |
| C-855 | Coolant Hose (9 ft. req'd.) |
| C-49 | Hose Barbed Fitting |
| H3-3005 | Spring Hose Clamp (2 req'd) |

- | | Part Number |
|-------------------|-------------------------------|
| Models U816 | CF-3 |
| C-11 | Control Valve |
| C-855 | Coolant Hose (9 ft. req'd.) |
| C-49 | Hose Barbed Fitting (2 req'd) |
| H3-3005 | Spring Hose Clamp (2 req'd) |
| H3-3002 | Flexible Spray Nozzle |
| VT-1019 | Valve Support Bracket |

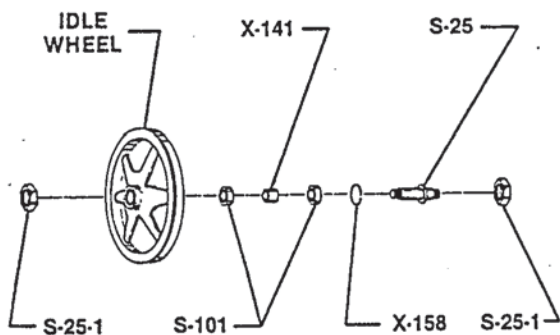


CF-1
Coolant Feed Sub-assembly



CF-3
Coolant Feed Sub-assembly

Idle Wheel Assemblies (All Models)



Common Parts:

S-25	Idle Wheel Axle
X-141	Idle Wheel Spacer
X-158	Idle Wheel Snap Ring
S-101	Idle Wheel Bearing (2 req'd.)
S-25-1	Idle Wheel Jam Nut

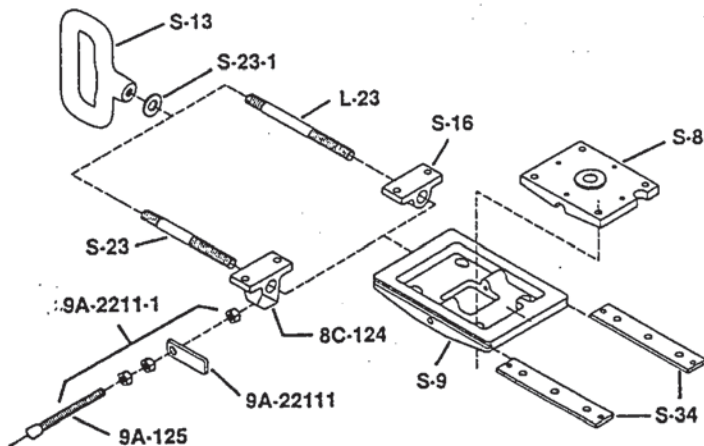
Idle Wheel:

Models 8A, 9A, U816	X-7B-1	(3/4" Blade)
Models H8A, H9A	X-7B-2	(1" Blade)
Model 13A	L-7B-2	(1" Blade)

Idle Wheel Assemblies:

Models 8A, 9A, U816	9A-1370
Models H8A, H9A	9A-1371
Model 13A	13A-14

Blade Tension Assemblies (All Models)

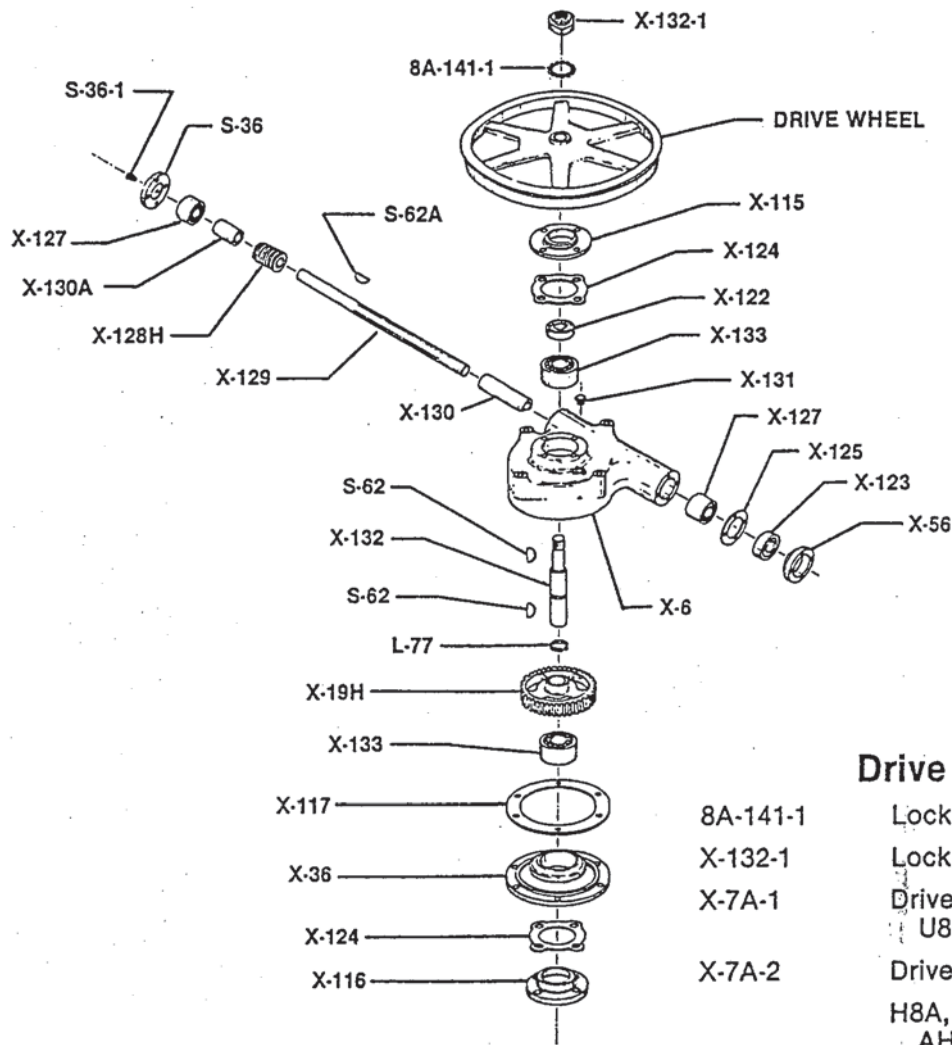


S-8	Rocker Block
S-9	Slide Block
S-34	Slide Block Guide (2 req'd)
S-23	Blade Tension Screw (8A, 9A, U816)
8C-124	Tension Screw & Frame Support Bracket (8A, 9A, U816)
L-23	Blade Tension Screw (1220 & 13A Models only)
S-16	Tension Screw Mounting Bracket (Models 816, 824, 1220 & 13A)
S-13	Blade Tension Handle
S-23-1	Tension Handle Washer
9A-2211-1	Frame Rest Assembly:
9A-2211	Frame Rest Plate
9A-125	Frame Rest Stud
3/8 HHN	3/8" Hex Half Nut (3 req'd.)

Also Available (not shown):

BT-01	Blade Tension Measurement Gauge (All Models)
-------	--

Drive Wheel & Gear Case Assembly (Models 8A, 9A & U816)



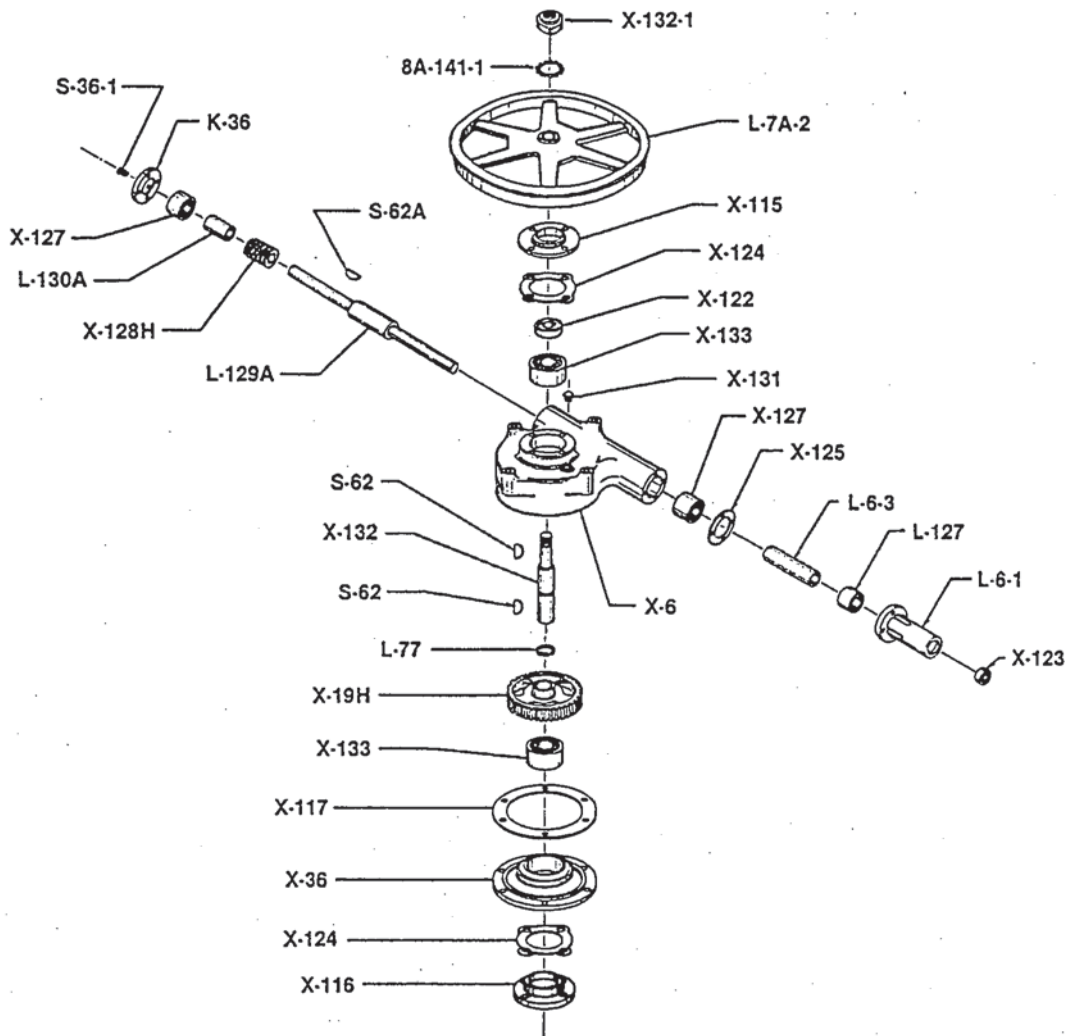
Drive Wheel Parts

8A-141-1	Lock Washer
X-132-1	Lock Nut
X-7A-1	Drive Wheel (3/4" Blades) 8C, 816, U816, 824, 8A & 9A
X-7A-2	Drive Wheel (1" Blades) H9A, H8A, AH9AW, H9A-SA

X-500 Gear Case Assembly as follows:

X-6	Gear Case Housing	X-127	Worm Shaft Bearing
X-19H	Bronze Gear	X-128H	Worm
S-36	Barrel Cover	X-129	Worm Shaft
X-36	Back Plate	X-130	Long Spacer
X-56	Small Oil Seal Casting	X-130A	Short Spacer
X-115	Large Oil Seal Casting	X-131	Pipe Plug
X-116	Back Cover	X-132	Drive Axle w/Snap Ring
X-117	Back Plate Gasket	X-133	Drive Axle Bearing
X-122	Large Oil Seal	S-62	No. 15 Woodruff Key
X-123	Small Oil Seal	S-62A	No. 19 Woodruff Key
X-124	Shim — Back Cover	L-77	Snap Ring
X-125	Shim — Barrel	S-36-1	Small Oil Cup

Drive Wheel & Gear Case Assembly (Model 13A)

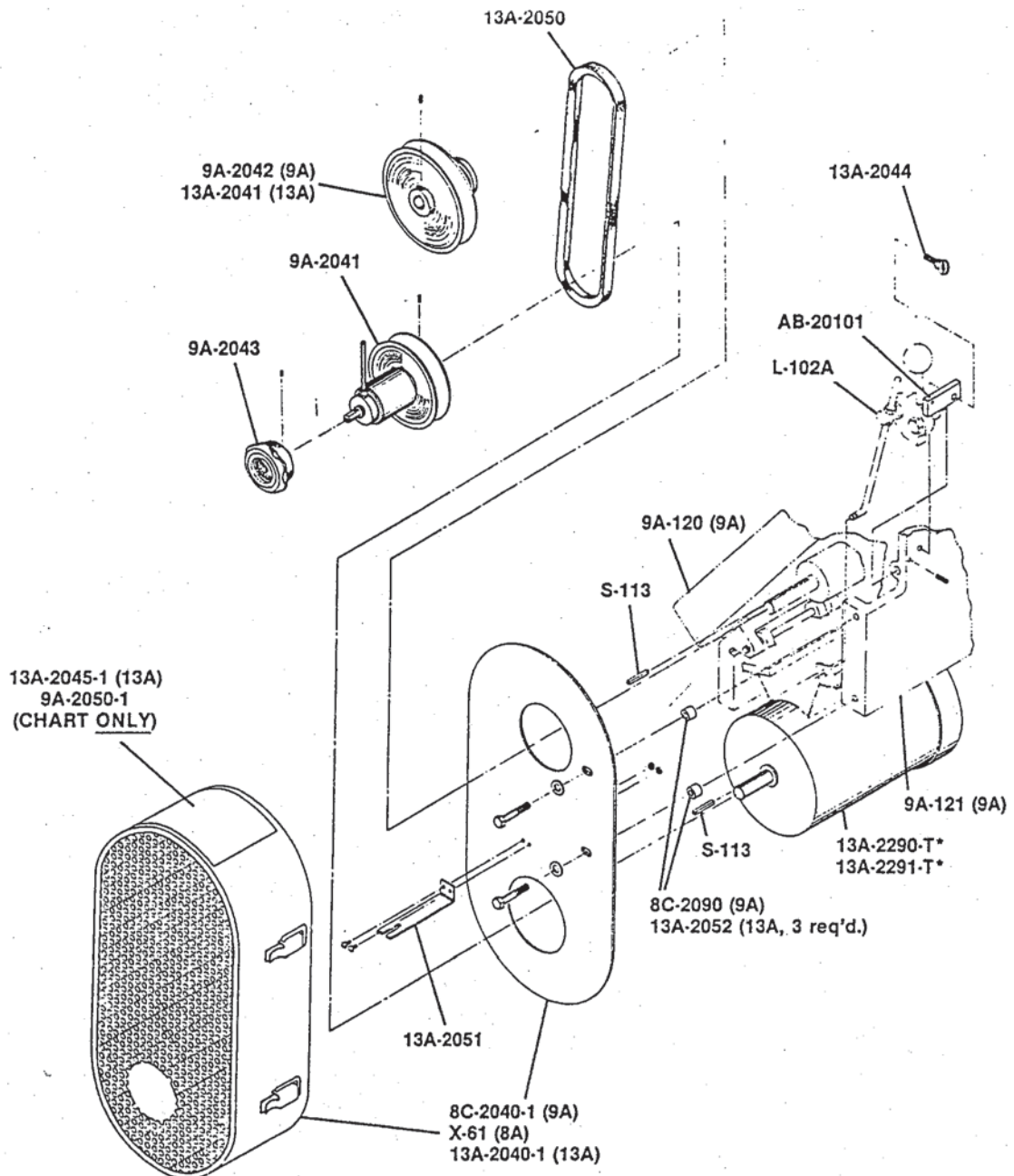


Drive Wheel

L-7A-2	Drive Wheel
X-132-1	Drive Wheel Lock Nut
8A-141-1	Drive Wheel Lock Washer

L-500 Gear Case Assembly as follows:

X-6	Gear Case Housing	L-129A	Worm Shaft
X-19H	Bronze Gear	L-130A	Short Spacer
K-36	Barrel Cover	X-131	Pipe Plug
X-36	Back Plate	X-132	Drive Axle w/Snap Ring
X-115	Large Oil Seal Casting	X-133	Drive Axle Bearing
X-116	Back Cover	S-62	No. 15 Woodruff Key
X-117	Back Plate Gasket	S-62A	No. 19 Woodruff Key
X-122	Large Oil Seal	L-77	Snap Ring
X-123	Small Oil Seal	S-36-1	Small Oil Cup
X-124	Shim - Back Cover	L-6-1	Bearing Housing Extension
X-125	Shim - Barrel	L-6-3	Bearing Housing Spacer
X-127	Worm Shaft Bearing	L-127	Worm Shaft Ball Bearing
X-128H	Worm		

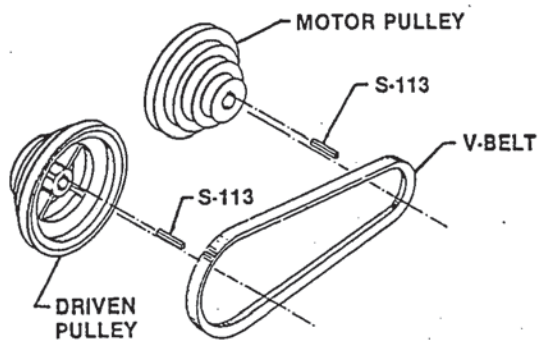


*NOTE: Model 8A & 9A saws built before 3/86 use 9A-2290T Single Phase Motors and 9A-2291T Three Phase Motors.

Variable Speed Drive Parts (Models 8A, 9A, 13A)

9A-120	Frame (Ref.)	9A-2050-1	Blade Speed Chart (8A or 9A)
9A-121	Long Frame Arm (Ref.)	13A-2045-1	Blade Speed Chart (13A)
L-102A	Motor Tension Cam Ass'y. (Ref.)	13A-2050	Drive Belt
S-113	Key	13A-2051	Torque Arm Support Bracket
AB-20101	Motor Tension Cam Lock	8C-2090	Spacer (9A, 2 req'd.)
X-61	Pulley Guard Ass'y. (8A, U816)	13A-2290-T*	Motor — Single Phase
9A-2040-1	Pulley Guard Ass'y. (9A)	13A-2291-T*	Motor — Three Phase
13A-2040-1	Pulley Guard Ass'y. (13A)	13A-2052	Spacer (13A, 3 req'd.)
9A-2041	Drive Pulley (on Motor)	Component Parts for 9A-2041 Motor Pulley:	
9A-2042	Driven Pulley (on Gearbox) (9A)	9A-2041-14	#14 Inner Bearing
13A-2041	Driven Pulley (on Gearbox) (13A)	9A-2041-19	#19 Flat Washer
X-61A	Pulley Guard Bracket (8A, U816) (not shown)	9A-2041-20	#20, 10-32 x 3/8 BH Screw
9A-2043	Speed Adjust/Indicator Knob	9A-2041-7	#7 Adjusting Screw
13A-2044	Thumb Screw	9A-2041A	M50 Pulley 7/8 Bore only

Step Pulley Systems



Motor Pulley

Models U816, 8A, 9A

S-14A 3/4" Bore 4 Step Pulley

S-14A-1 5/8" Bore 4 Step Pulley

S-14A-2 7/8" Bore 4 Step Pulley

Models 13A, 1220

L-14 3/4" Bore 4 Step Pulley

L-14-1 7/8" Bore 4 Step Pulley

V-Belt

Model 8A S-86-1

Model 9A 8C-202A

Model 13A L-86

Model U816 S-86

Driven Pulley

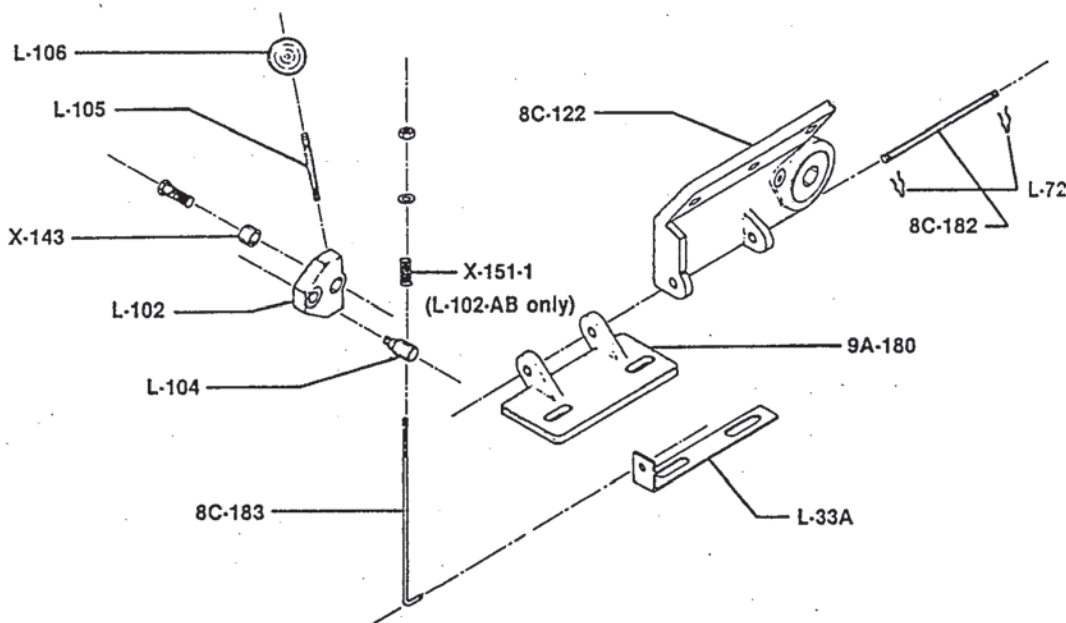
Models U816, 8A, 9A

S-15A Driven Pulley (to gearbox)

Models 13A, 1220

L-15 Driven Pulley (to Gearbox)

Motor Mount & Tension Components (Model 9A)

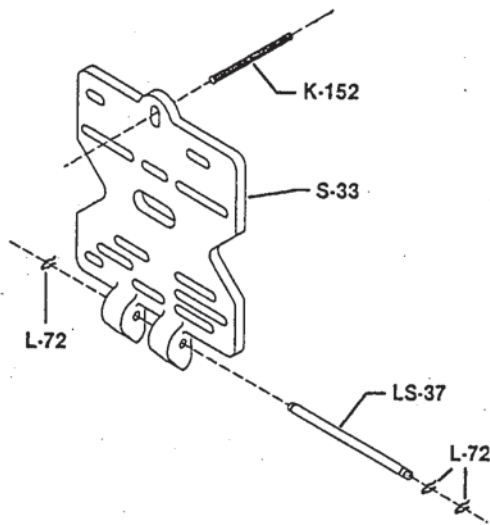


Model H9A w/Variable Speed Drive

- 9A-180 Motor Mounting Hinge
- L-33A Motor Plate
- 8C-182 Motor Plate Pivot Bar
- L-72 Hairpin Cotter (2 req'd.)
- L-106 Tension Cam Lever Knob
- L-102A Tension Cam Assembly
 - L-102 Tension Cam
 - X-143 Cam Bushing
 - L-104 Stud
 - L-105 Lever
 - 8C-183 Rod
- AB-201 Motor Tension Cam Lock
(See Page 15 for illustration)

Model 9A (3/4" Blade) or H9AW w/Step Pulleys

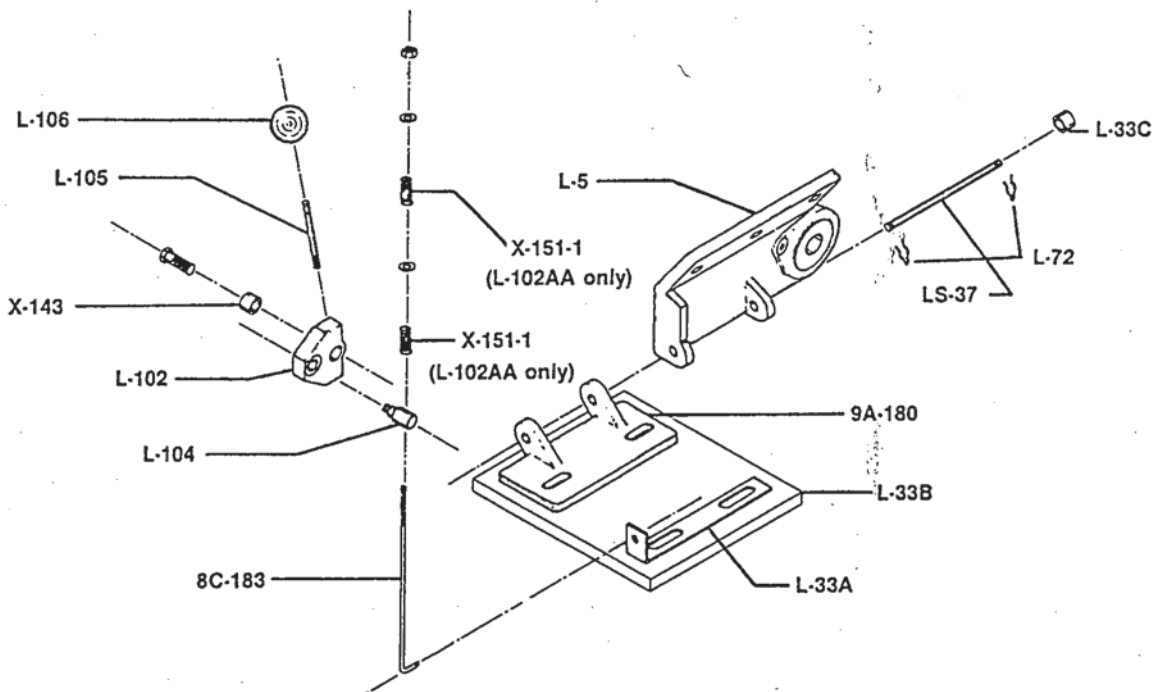
- L-102-AB Tension Cam Assembly
(with Step Pulley)
- L-102 Tension Cam
- X-143 Cam Bushing
- L-104 Stud
- L-105 Lever
- X-151-1 Spring
- 8C-183 Rod



Motor Mount Parts (Models 8A, U816)

S-33	Motor Plate
LS-37	Motor Plate Pivot Bar
K-152	Motor Tension Rod
L-72	Hairpin Cotter (3 req'd.)

Motor Mount & Tension Components (Model 13A)



Models 13A w/Variable Speed Drive

9A-180	Motor Mounting Hinge
L-33A	Motor Plate
LS-37	Motor Plate Pivot Bar
L-33B	Motor Mounting Plate (not used on 1220)
L-33C	Motor Plate Hinge Spacer
L-102A	Tension Cam Assembly (See Page 16)
L-72	Hairpin Cotter (2 req'd.)
AB-201	Motor Tension Cam Lock (See Page 15 for Illustration)
L-106	Cam Lever Knob

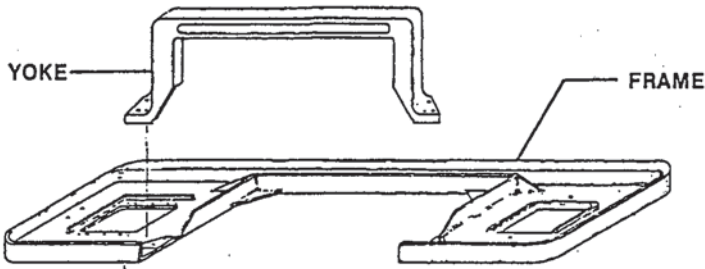
Models 13A w/Step Pulley System

L-102-AA	Tension Cam Assembly:
L-102	Tension Cam
X-143	Cam Bushing
L-104	Stud
L-105	Lever
8C-183	Rod
X-151-1	Spring (2 req'd.)

Frame & Frame Support Parts

Main Saw Frame

Model	Part Number
8A	S-3C
9A	9A-120
13A	L-3-1
U816	S-3B

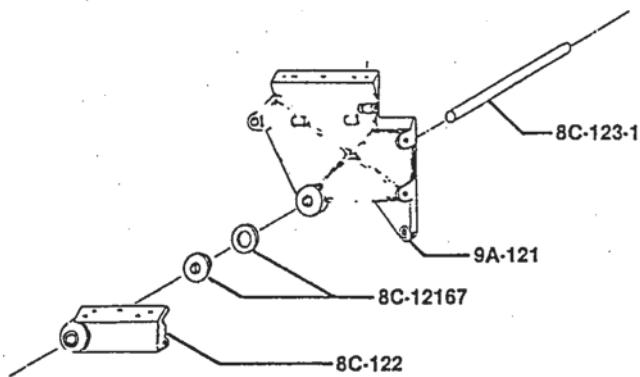
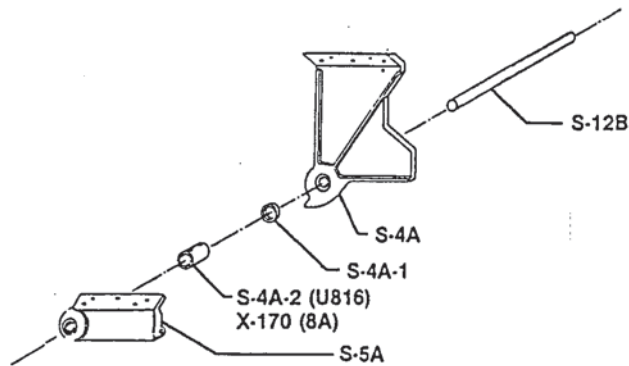


Blade Guide Arm Support Yoke

8A	S-69C-1
9A	8C-1212
13A	L-69-1
U816	S-69

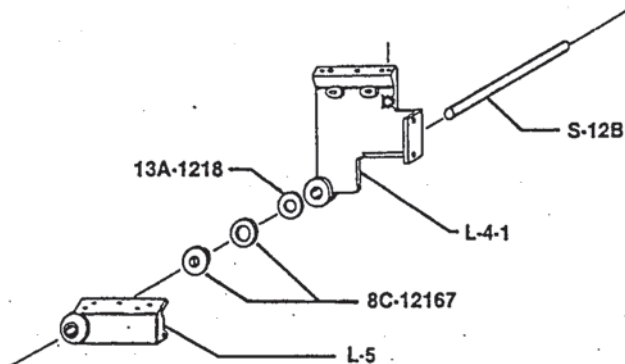
Support Arms (Model 8A & U816)

S-12B	Pivot Bar
S-4A	Long Arm
S-4A-1	Pivot Bar Spacer (8A)
S-4A-2	Pivot Bar Spacer (U816) (2 req'd.)
X-170	Pivot Bar Collar (8A)
S-5A	Short Arm



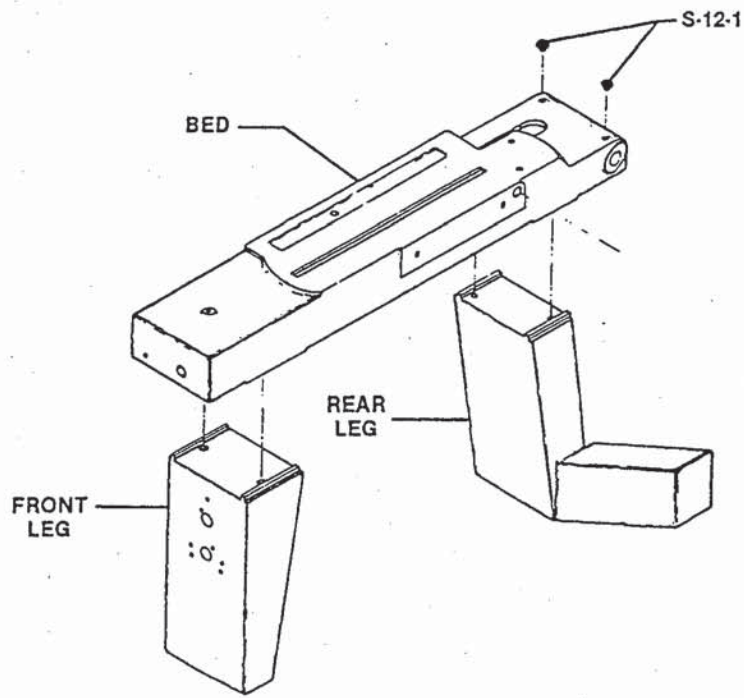
Support Arms (Model 9A)

8C-123-1	Pivot Bar
9A-121	Long Arm
8C-12167	Adjusting Collar
8C-122	Short Arm



Support Arms (Model 13A)

S-12B	Pivot Bar
L-4-1	Long Arm
13A-1218	Spacer Washer
8C-12167	Adjusting Collar
L-5	Short Arm



Bed Castings

Models 9A, U816	9A-100
Models 8A, 13A	13A-100

Front Leg

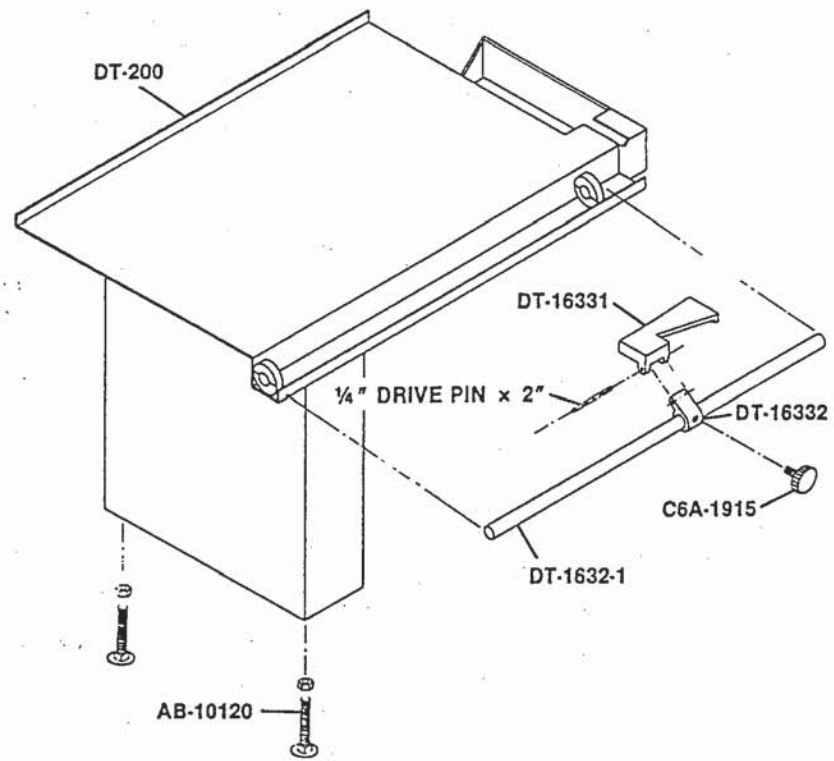
Model 8A, 9A	9A-101
Model 13A	13A-101
Model U816 (not pictured)	S-IF

Rear Leg

Model 9A	9A-102
Model 8A	8A-102
Model 13A	13A-102
Model U816 (See Page 9)	S-IR

Pivot Bar Oil Cups

All Models	S-12-1
------------	--------



All Models 8A, 9A, 13A After 3/1/86:

DT-20A	Discharge Table Assembly
DT-200	Discharge Table Weldment
DT-1632-1	Stock Stop Shaft
AB-10120	1/2-13 x 3.00 lg. Elevator Bolt w/Locknut (2)
DT-16331	Stock Stop Arm
DT-16332	Stock Stop Hinge Block
C6A-1915	Tightener Knob
—	1/4 Drive-loc Pin Type 'C' x 2 lg.

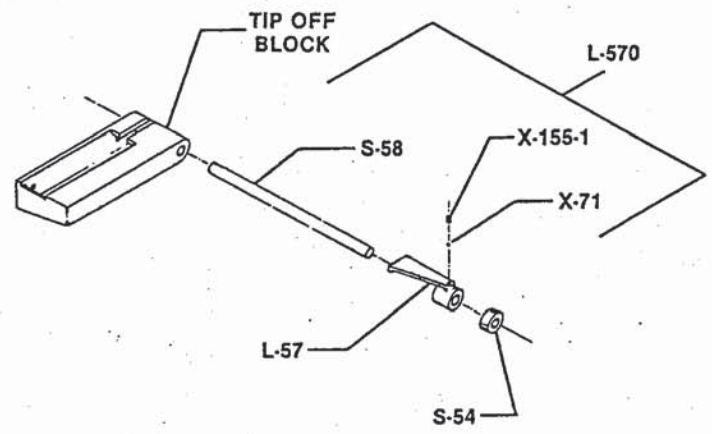
Tip Off & Stock Stop Assembly

(All 8A, 9A, 13A prior to 3/1/86 and all Models U816)

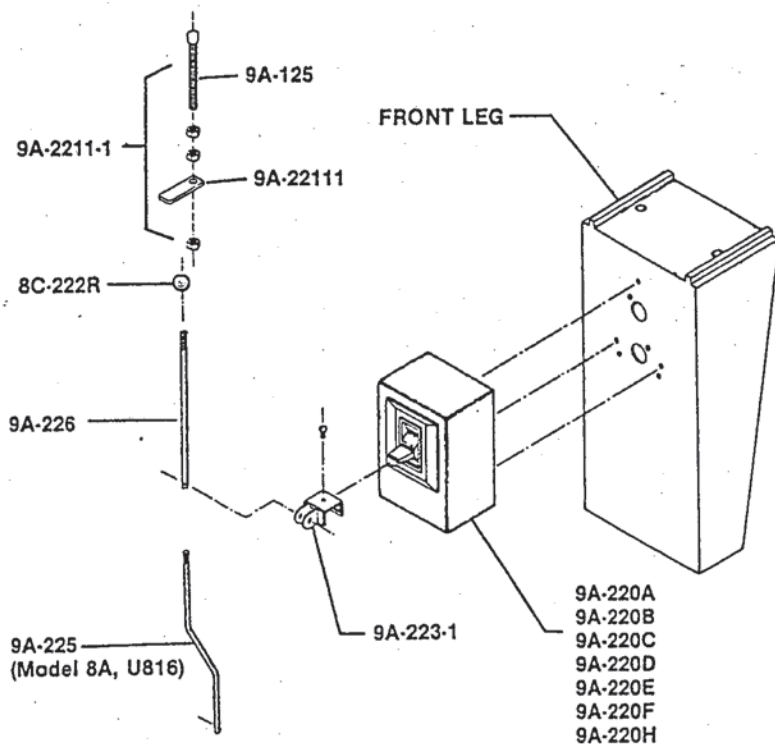
Tip Off Block, 8A, 9A, 13A	L-11A
Tip Off Block, U816	S-11

L-570 Stock Stop Assembly:

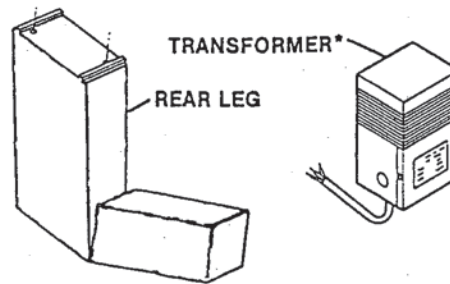
S-58	Stock Stop Bar
L-57	Stock Stop
X-155-1	Spring
X-71	Steel Ball
S-54	Locking Collar



Electrical Parts



For Models with Coolant Attachments



*(illustration is not to scale)

Transformer:

9A016B	230/460/60/3
9A016D	208/60/3
9A016F	575/60/3

Fuse (Coolant Pump)

GMF-1.25	Located Under Transformer Cover
9A-2217	Fuse Holder

Switch Mounting/Shut-Off Parts

9A-2211-1	Frame Rest Assembly
9A-125	Frame Rest Stud
9A-22111	Frame Rest Plate
8C-222R	Red Shut-Off Knob
9A-226	Shut-Off Rod (Models 9A, 13A)
9A-225	Shut-Off Rod (Models 8A & U816)
9A-223-1	Shut-Off Bracket

Wire and Cord Sets (not shown)

S-99	Single Phase Wire
S-99A	Three Phase Wire
S-99B	Single Phase Cord Set w/Plug

Drive Motors

(U816, 8A & 9A prior to 3/86)

9A-2290-T	115/230/60/1, 1 HP, TEFC
9A-2291-T	208/230/460/60/3, 1 HP, TEFC
9A-2293-T	575/60/3, 1 HP, TEFC

Low Voltage/Under Voltage Protection Starter Switches

All Models:

9A-220A	230/60/1 Switch
9A-220B	230/60/3 Switch
9A-220C	460/60/3 Switch
9A-220D	575/60/3 Switch
9A-220E	208/60/3 Switch

1 HP Drive Motor

9A-220F	115/60/1 Switch
---------	-----------------

1.5/2 HP Drive Motor

9A-220H	115/60/1 Switch
---------	-----------------

Drive Motors

(13A, and all 8A & 9A after 3/86)

13A-2290-T	115/230/60/1, 1.5 HP Cont., 2 HP Saw Duty
13A-2291-T	208/230/460/60/3, 1.5 HP Cont., 2 HP Saw Duty
13A-2293-T	575/60/3, 1.5 HP Cont., 2 HP Saw Duty