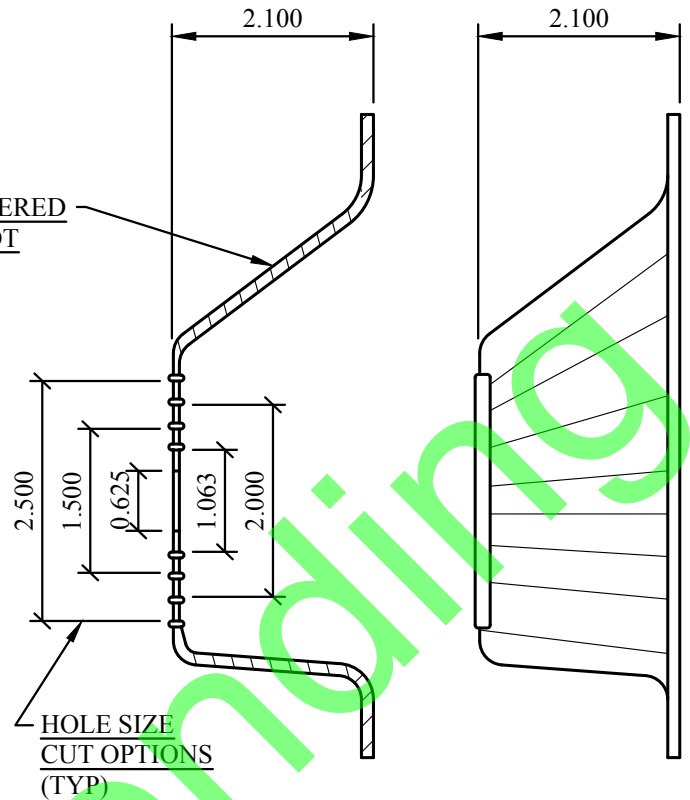


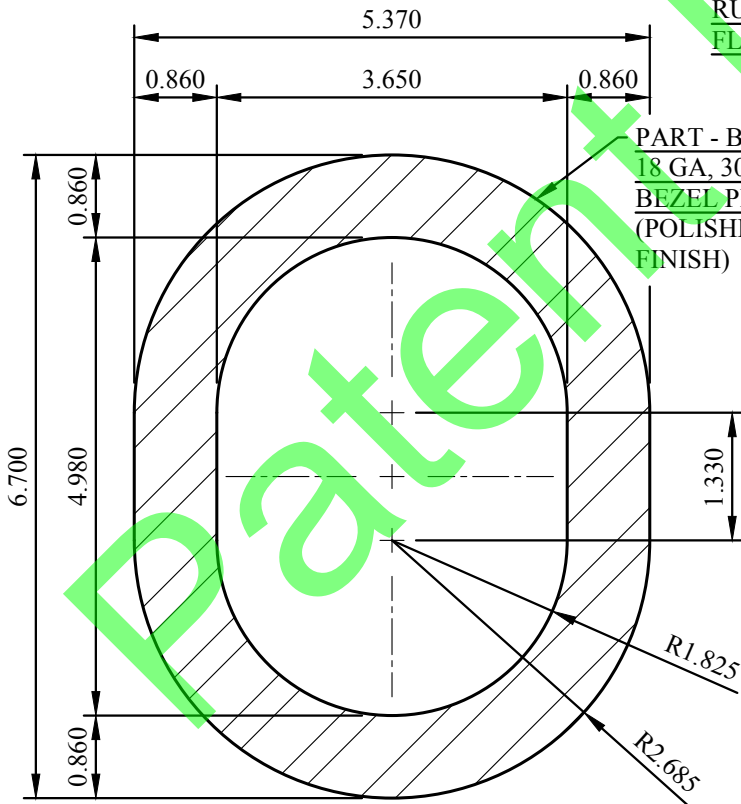
1/16" RUBBER
BOOT FLANGE
(SHORE 58
DUROMETER)

PART - A, FRONT VIEW



SECTION-1

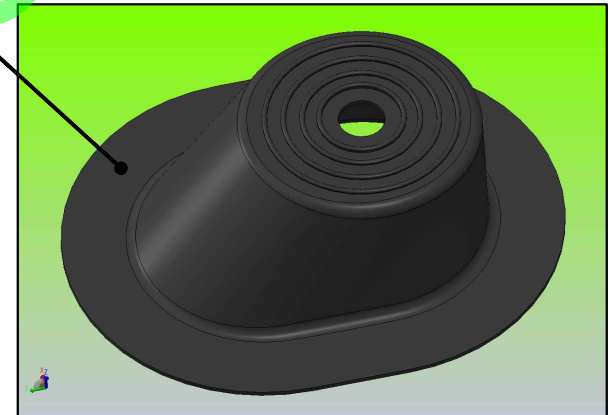
SECTION-2



PART - B, FRONT VIEW

**PART - A
RUBBER BOOT
FLANGE**

**PART - B
18 GA, 304, STN. STL.
BEZEL PLATE
(POLISHED GR # 8,
FINISH)**



**STEERING RUBBER
BOOT SEAL**

PATENT PENDING

REV	DATE	BY	DESCRIPTION
2	06-25-18	KWH	REVISED BOOT DIMENSIONS
1	06-01-18	KWH	REVISED BOOT COMFIGURATION

DETAILS OF:	STEERING RUBBER BOOT SEAL		
FOR:	JJSRODS.COM		
LOCATION:	3021 BROOKS MILL LANE, WINGATE, NC 28174		
DESIGNER:	JEFF JOHNSON		
DEVELOPER:	JEFF JOHNSON		
DRAWN:	05/02/16	BY:	HOWELL DETAILING SERVICE, INC

PART NOTES:

- SCALE: 6" = 1'-0", (UNO).
- ALL DIMENSIONS ARE SHOWN IN INCHES.

HOWELL DETAILING
SERVICE, INC
Kenh2817@carolina.rr.com



PART #
JJS-32561916-1