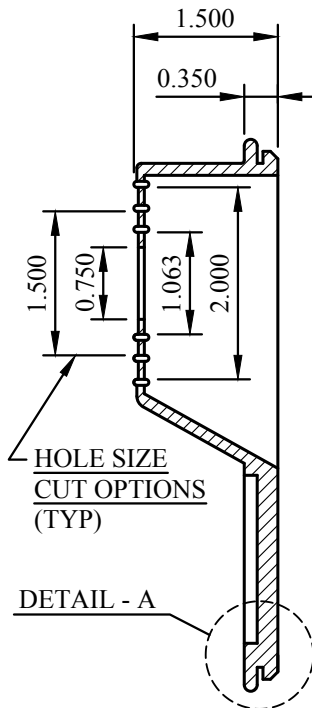
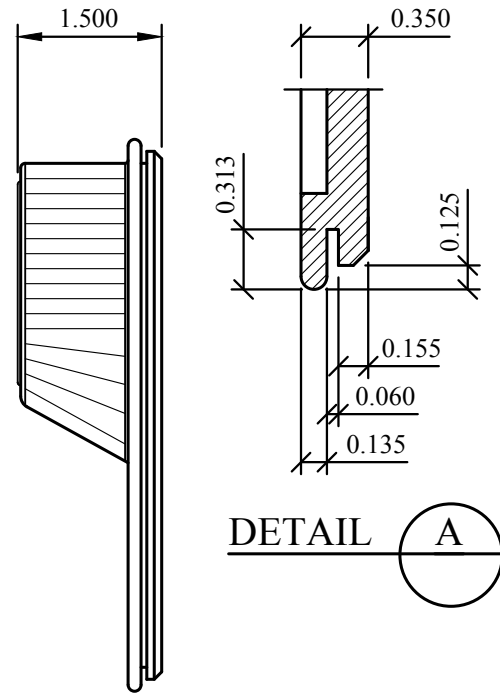


**PART - A, FRONT VIEW**

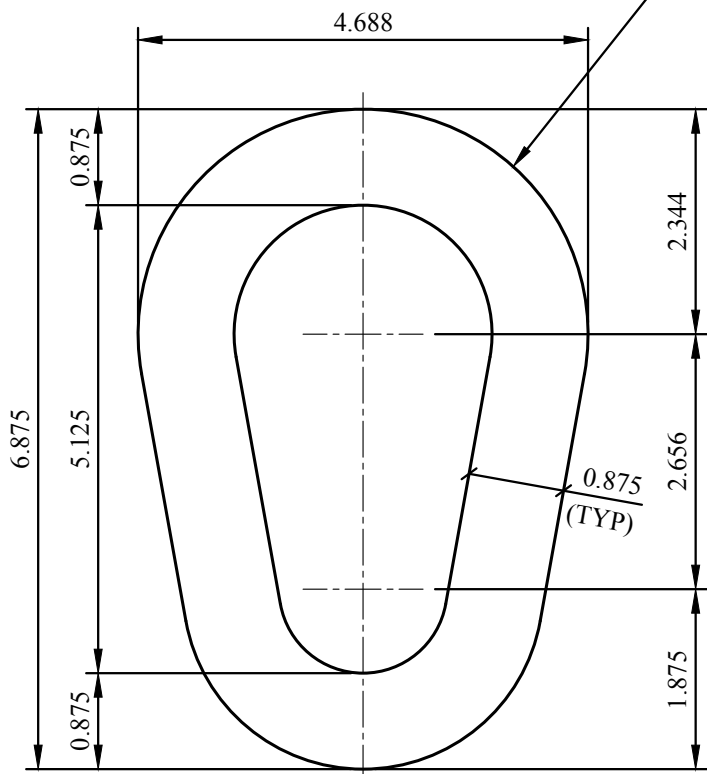


**SECTION-1**



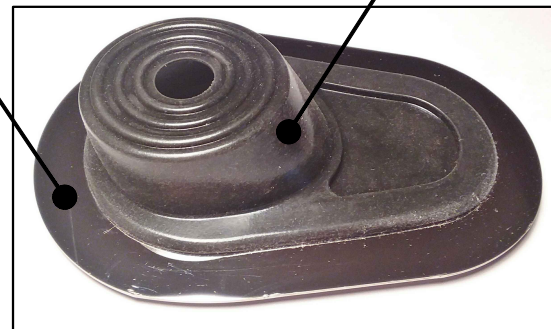
**SECTION-2**

**PART - A**  
1/16" RUBBER BOOT FLANGE  
(SHORE 58 DUROMETER)



**PART - B, FRONT VIEW**

**PART - B**  
18 GA, 304, STN. STL.  
BEZEL PLATE  
(POLISHED GR # 8,  
FINISH)



**STEERING COLUMN  
GROMMET**

PATENT PENDING

REV	DATE	BY	DESCRIPTION
DETAILS OF: <u>STEERING COLUMN GROMMET</u>			
FOR: <u>JJSRODS.COM</u>			
LOCATION: <u>3021 BROOKS MILL LANE, WINGATE, NC 28174</u>			
DESIGNER: <u>JEFF JOHNSON</u>			
DEVELOPER: <u>JEFF JOHNSON</u>			
DRAWN: <u>01/17/18</u> BY: <u>HOWELL DETAILING SERVICE, INC</u>			

**PART NOTES:**

- SCALE: 6" = 1'-0", (UNO).
- ALL DIMENSIONS ARE SHOWN IN INCHES.

HOWELL DETAILING  
SERVICE, INC  
Kenh2817@carolina.rr.com



PART #  
**JJS-32561918-1**