



SUNCOAST WOODCRAFTERS GUILD

www.suncoastwoodcrafters.com

**SUNCOAST WOODCRAFTERS GUILD
GENERAL MEETING MINUTES
November 15, 2022 at 7:00 PM
Chatelech Secondary School Library
5904 Cowrie Street, Sechelt, BC.**

CALL TO ORDER: Pat Crawford, President, called the meeting to order at 7:00 pm.



GUEST INTRODUCTIONS: - none

MEETING PROGRAM: "Two Members, Two Perspectives"

Frank Rodgers; Pattern making, tooling and molding a Motorcycle/Bike Seat.

Mike Cronk; Challenges of making a modern piece of furniture (Childs Highchair).

Rick Budd, Education Committee Chair introduced the two presenters and their topics. (There were three presentations planned but due to technical difficulties Rick Budd was unable to make his presentation).



Rick introducing the two presenters.

Frank Rodgers went first. Frank had brought along samples and slides (Power Point) of the new seat and side covers he made for the restoration of his 1970s 750 Honda 'café style' motor bike.



Frank introducing his project of redesigning and building a new seat and side covers.

Frank took the audience through the process of prototyping, pattern making (in this case wooden), fibreglass mould making and final fibreglass part (seat) production.



SUNCOAST WOODCRAFTERS GUILD

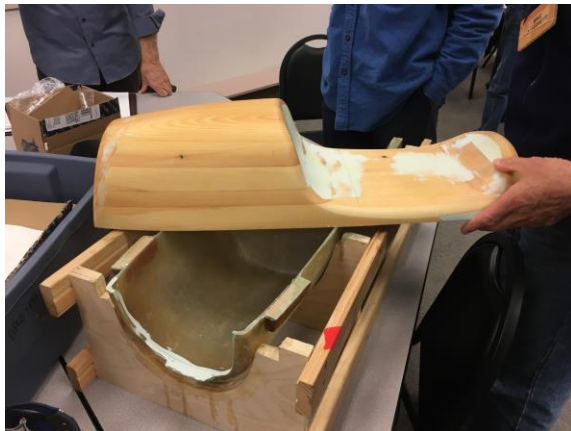
www.suncoastwoodcrafters.com



The finished pattern ready for moulding.



Back (underside) of the pattern hollowed out to reduce weight and check fit on bike.



Male pattern sitting on female fibreglass mould.



Three parts of the process (front to back). Mould, pattern and unpainted finished fibreglass seat (unpainted).



Labour of love.



Finished painted seat.



Finished seat, side covers and gas tank.



Ready for a test drive.

It was quite an education and appreciation of the time (labour), expertise and steps necessary from concept to finished product.

Mike Cronk followed with his presentation of how he conceived and produced two highchairs. His design is original with some input/modifications from his kids (the recipients of the highchairs). His objective was to come up with something simple, easy to make and chairs that could knock-down for transport and storage.

The legs are made of $\frac{3}{4}$ " pine veneer plywood (available at GBS and considered superior to Baltic birch because of less 'tear out' when cutting). With the design of a table saw jig, Mike figured out how to exactly duplicate the dado slots on each leg. 'T' nuts/threaded inserts and readi rod hold the whole thing together (and facilitates easy disassembly). The highchairs are finished (sprayed) with two-part, acid catalyzed lacquer. The straps and child restrainer apparatus were purchased on Amazon.

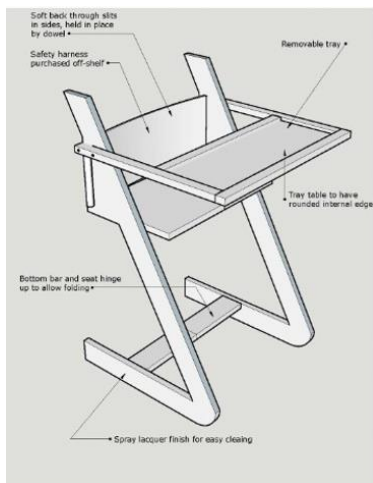


SUNCOAST WOODCRAFTERS GUILD

www.suncoastwoodcrafters.com



Mike explaining the genesis of his highchair design



The design



Final execution



Jig for cutting dados on one leg.



Jig flipped to exactly duplicate dado on other leg.



Finished chair #1



Finished chair #2

Before concluding his presentation, Mike talked about his recent experience sound deadening his dust/particle extraction system. By putting the cyclone into a closet and sound deadening with composite board and acoustic tiles, he greatly reduced the noise to something very tolerable for him and the neighbourhood.



Dust collector closet.



Sound proofing (combination of composite board and acoustic foam tiles).



SUNCOAST WOODCRAFTERS GUILD

www.suncoastwoodcrafters.com



Rick thanked the presenters and gave them each a boxelder pen made by Pat Crawford.

COFFEE BREAK

BUSINESS MEETING:

APPROVAL OF AGENDA: – The Agenda was adopted as circulated.

APPROVAL OF PREVIOUS MINUTES: - There being no errors or omissions noted, it was moved and carried the minutes of the October 18, 2022 General Meeting be accepted.

BUSINESS ARISING FROM MINUTES or any UNFINISHED BUSINESS:

- a. **2022 Christmas Party** – Saturday December 10th at the Sunshine Coast Botanical Garden Sparling Pavilion.
 - Tickets, \$25/person were available at the meeting.
 - Ticket can also be reserved by calling Pat Crawford and paid for at the door.
 - Two members volunteered to deliver rental goods from the party rental folks in Gibsons.

REPORTS FROM COMMITTEES AND OFFICERS:

- a. **Treasurer's Report** – Pat Crawford
 - Chuck has resigned and Bob Marando has accepted the position of Treasurer.
 - Administrative activities related to the change (bank signing authority, etc.) are underway.
 - Pat thanked Chuck for his more than ten years of service as Treasurer.

- b. **Membership Report** – Tom Hourigan
 - To date there are 56 paid up members.

- c. **Education Committee**- Rick Budd
 - January meetings (AGM) presentation will be a slide show of all the gifts and toys made by the membership and given to Community Services at Christmas.

- d. **Toys & Gifts Program** – Dan Chercover
 - Dates and times for delivering gifts to Community Services are December 12 & 13.
 - December 13 is presentation day and group photo shoot. Gifts must be delivered before 10:30.
Reminder to put your name on your gifts (eg. masking tape label on the underside).
 - Rick Budd will photograph all individual gifts.
 - There appears to be a good level of participation as Ken Walker has been busy giving out materials!
 - Albert Edge is providing another box of gifts and toys again this year.
 - Members are encouraged to bring along and display their gifts at the Christmas party.

CORRESPONDENCE AND NEW BUSINESS: - None

SHOW & TELL/TIPS & TRICKS:

Dave Ranger;



A 'slick' he found/bought in England.



Beautiful steel and wooden handle (no one could identify what kind of wood)



SUNCOAST WOODCRAFTERS GUILD

www.suncoastwoodcrafters.com

Norm Ross;



Two 'segmented' maple bowls.

4 rings of 12 segments each.

ATTENDANCE PRIZE DRAW – Tom Hourigan

- Mike Allegretti won a \$25 gift certificate for KMS Tools

NEXT MEETING: Christmas Party, Saturday December 10th at the Sunshine Coast Botanical Garden, Sparling Pavilion.

ADJOURN BUSINESS MEETING: Meeting adjourned at 9:00 pm

These minutes have been approved:

Chair

Date

Tim Dayton, Secretary – Suncoast Woodcrafters Guild