

Name _____

period _____

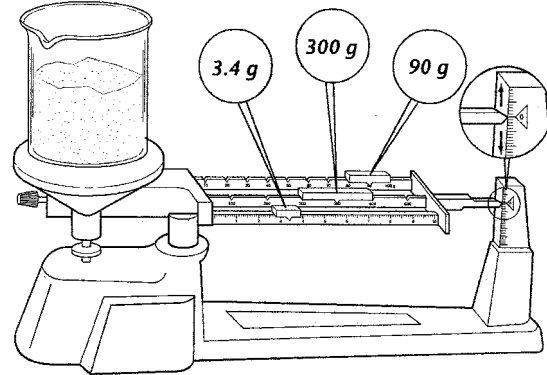
Science Skills 8

Using a Triple Beam Balance

Using the diagram on the right, find the total mass of the beaker and the sand.

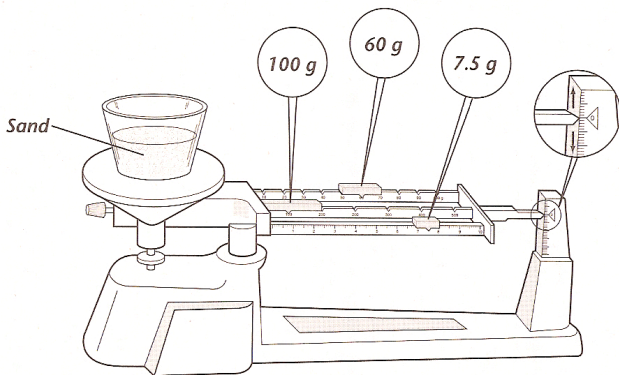
1. How many grams are shown on the balance? _____

Sometimes you have to find the mass of a substance in a container. To do that you must find the mass of the container alone then **subtract** that mass from the total mass.



2. What is the mass of the sand if the mass of the beaker is 25 g.? _____

3. What is the mass of the beaker if the mass of the sand is 340 g? _____



4. What is the total mass of the cup and the sand together? _____

5. If the mass of the cup is 14.5 grams, what is the mass of the sand?

Circle the mass that will cause each side of the balance to be equal.

