

Contact Module—CM03

The CM03 provides equipment protection by monitoring critical operating parameters in enterprises, remote network facilities, communication rooms, and critical support systems.

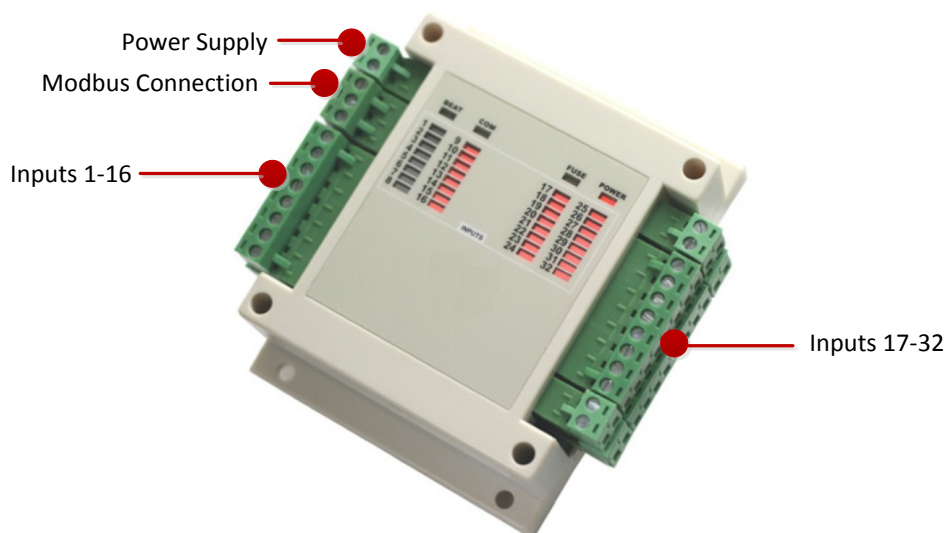
Description:

The CM03 is a general purpose module for integration to equipment throughout the data center. Each of the analog inputs can be jumper configured for signals of either 0-5V, 0-20mA, or dry contact. The modules are slave devices that can be easily controlled via the RS485 serial interface using the industry standard Modbus Protocol. Standard DIN Rail mounting allows for a wide variety of mounting options.

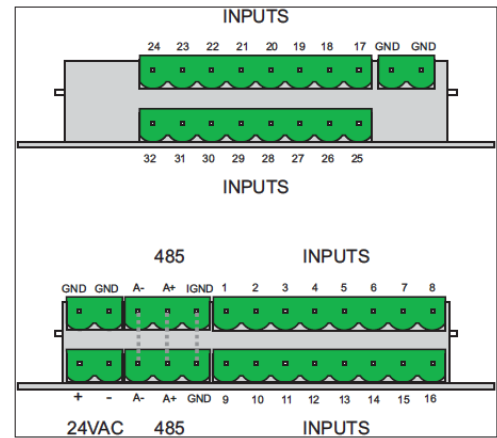
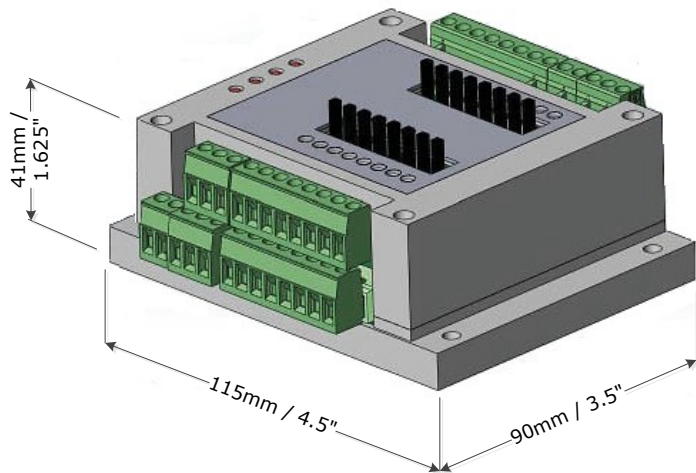
Highlights:

- Surge-Protected Analog Inputs with 10-bit Resolution
- High Impact Plastic Enclosure provides durability in commercial environments
- Communication Output: Modbus RTU Protocol via RS485

Assembly Overview



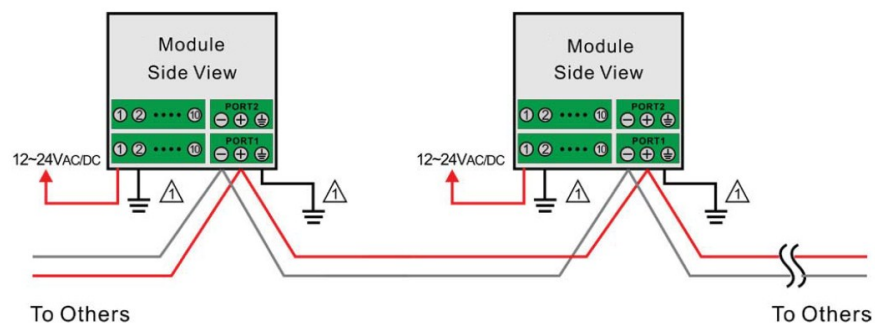
Assembly Details



Sensor Wiring Details

Title	Typical Wiring Diagram	Jumper
Thermistors		
Dry Contacts		
Transducer Signal 0-10V 0-5V	 ⚠ module and transducer power share GND. Transducer shall be half wave rectified.	
Transducer 4-20mA	 ⚠ module and transducer power share GND. Transducer shall be half wave rectified.	

Communication Wiring Detail



SPECIFICATIONS	
Power	12~24VAC/DC +- 10%, 50-60Hz, 100mA MAX @ 12VDC
Inputs	32 Universal Inputs @ 0-5V, 0-10V, 0-20mA, Dry Contacts
Outputs	None
Communication Ports	RS-485/232 2-Wire
Protocols	Modbus/RTU, Modbus/TCP with Kit K01 or MS0
Temperature Sensor	10K Thermistor +- 0.5C
Operating Temperatures	-22F—158F
Storage Temperature	-40F—185F
Humidity	10% - 90% RH, non-condensing
Dimensions	4.5" (W) x 3.5" (D) x 1.625" (H)
Weight	1lb
Compliance	CE, ETL, UL, EN, CSA, RoHS
Enclosure Rating	IP31
Certifications	CE; UL STD 17DU E248122; EN STD 5502; ICES-003 Issue 4; FCC 47 CFR Part 15;

Ordering

CM03	Contact Module 03
CM03K01	Includes CM03 and:
	MS0 w/ DIN Kit
	1.5U Rack Mount DIN Rail
	24VAC Power Supply
KDINRACK	1.5U Rack Mount DIN Rail
XFMR24	24VAC Power Supply

Optional MS0 Modbus 485 to Modbus TCP converter



Optional Rack Mounts Kit



PYTHIA TECHNOLOGIES
data transformation solutions

175 S. Sandusky Street, Suite 321 Delaware OH 43015 Tel. 614.363.2272 Fax 740.693.8409

Sales@pythiatech.com

www.pythiatech.com

© 2012 Pythia Technologies, Inc.

All rights reserved throughout the world.

Specification may change at anytime without notice.

Document #: SPEC_CM03_001_0912