



Contact Module—CM04A

The CM04A provides equipment protection by monitoring critical operating parameters in enterprises, remote network facilities, communication rooms, and critical support systems.

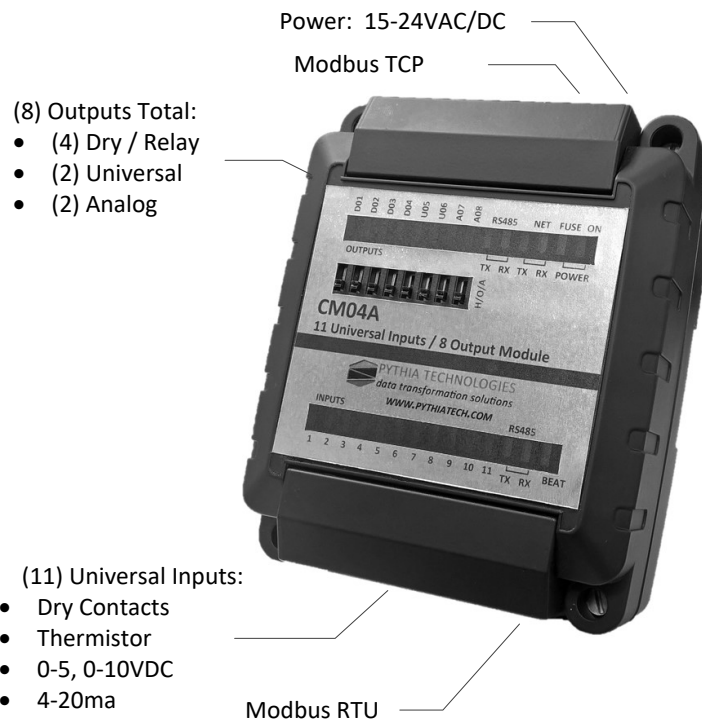
Description:

The CM04A is a general purpose module for integration to equipment throughout the data center. Each of the universal inputs can be configured via Modbus for either 0-5V, 0-10V, 4-20mA, thermistor or dry contact input type. Outputs are also configured and commanded for state change through Modbus. The modules are slave devices that can be easily viewed and controlled via the RS485 serial or Ethernet interface using the industry standard Modbus Protocol. Standard DIN Rail mounting allows for a wide variety of mounting options.

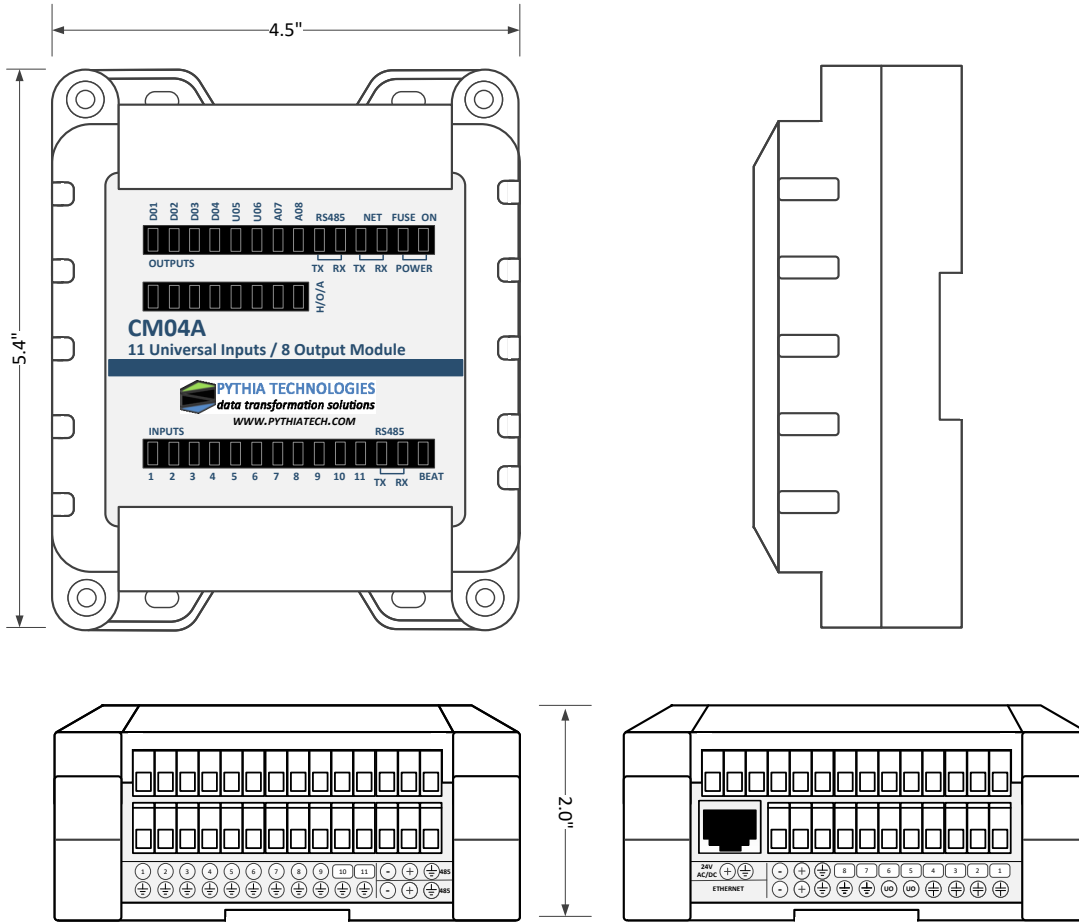
Highlights:

- (11) Universal Surge-Protected Inputs with 12-bit Resolution
- (8) Outputs Total—Relay, Universal and Analog type
- High Impact Plastic Enclosure provides durability in commercial environments
- Communication: Modbus RTU via RS485, Modbus TCP via network

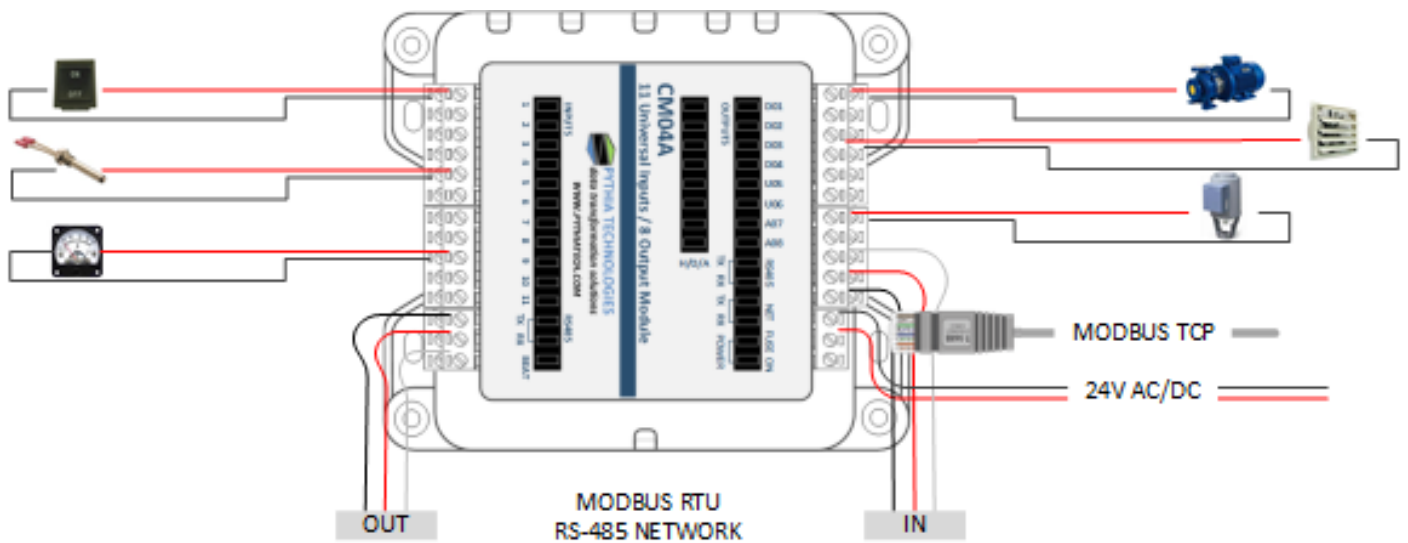
Assembly Overview



Assembly Details



Communication Wiring Detail



SPECIFICATIONS	
Power	15—24VAC/DC +- 10%, 50-60Hz, 100mA MAX @ 15VDC
Inputs	11 Universal Inputs @ 0-5V, 0-10V, 4-20mA, Dry Contacts, 10K T2 Thermistor
Outputs	8 total @ 4 relay (3A@125VDC), 2 analog (0-10VDC), 2 universal
Communication Ports	Modbus RTU RS-485 2-Wire, Modbus TCP via RJ-45
Protocols	Modbus/RTU, Modbus/TCP
Operating Temperatures	-22F—158F
Storage Temperature	-40F—185F
Humidity	10% - 80% RH, non-condensing
Dimensions	5.4" (W) x 4.5" (D) x 2.0" (H)
Weight	1lb
Compliance	CE, ETL, UL, EN, CSA, RoHS
Enclosure Rating	IP31
Certifications	CE; UL STD 17DU E248122; EN STD 5502; ICES-003 Issue 4; FCC 47 CFR Part 15;

Ordering	
CM04A	Contact Module 04A
CM04A-K03	Includes CM04A, DIN-Rail track & 120/240VAC to 24VDC Power supply
CM04A-K03-ENCL2	Includes CM04A, DIN-Rail track & 120/240VAC to 24VDC Power supply and
	Enclosure (10 x 6 x 6) screw top



PYTHIA TECHNOLOGIES
data transformation solutions

175 S. Sandusky Street, Suite 321 Delaware OH 43015 Tel. 614.363.2272 Fax 740.693.8409

Sales@pythiatech.com

www.pythiatech.com

© 2017 Pythia Technologies, Inc.

All rights reserved throughout the world.

Specification may change at anytime without notice.

Document #: SPEC_CM04A_001_1216